



**Yes, you can.®**

Juillet 2021

Invacare nv  
Autobaan 22 - 8210 Loppem - België - www.invacare.be

**Invacare® Top End®  
Schulte 7000 Series BB Chair**



Date :

Référence :

Revendeur :

Veuillez indiquer votre choix en cochant les cases     Option standard     Option sans supplément

<b>Base Model:</b>			
Code	Description:	Publieke prijs in € 6% BTW inbegrepen	
<input checked="" type="checkbox"/>	TEI0002	Top End Schulte 7000 Series Basketball Wheelchair	3.900,00
	TE75003	Heavy Duty Option (See definitions)	635,00
<b>Sizing:</b>			
<b>Seat Width:</b>			
	TEI5009	12.0" Seat Width	0,00
	TEI5010	12.5" Seat Width	0,00
	TEI5011	13.0" Seat Width	0,00
	TEI5012	13.5" Seat Width	0,00
	TEI5013	14.0" Seat Width	0,00
	TEI5014	14.5" Seat Width	0,00
	TEI5015	15.0" Seat Width	0,00
	TEI5016	15.5" Seat Width	0,00
	TEI5017	16.0" Seat Width	0,00
	TEI5018	16.5" Seat Width	0,00
	TEI5019	17.0" Seat Width	0,00
	TEI5020	17.5" Seat Width	0,00
	TEI5021	18.0" Seat Width	0,00
	TEI5022	18.5" Seat Width	0,00
	TEI5023	19.0" Seat Width	0,00
	TEI5024	19.5" Seat Width	0,00
	TEI5025	20.0" Seat Width (heavy duty required)	0,00
	TEI5026	20.5" Seat Width (heavy duty required)	0,00
	TEI5027	21.0" Seat Width (heavy duty required)	0,00
<b>Tapered Seat Width: (See definitions)</b>			
	TEI5181	Tapered Seat Width 1" (rear to front)	131,00
	TEI5183	Tapered Seat Width 2" (rear to front)	131,00
	TEI5185	Tapered Seat Width 3" (rear to front)	131,00
	TEI5187	Tapered Seat Width 4" (rear to front)	131,00
<b>Front Seat to Floor:</b>			
	TEI5060	14.5" Front Seat to Floor	0,00
	TEI5061	15.0" Front Seat to Floor	0,00
	TEI5062	15.5" Front Seat to Floor	0,00
	TEI5063	16.0" Front Seat to Floor	0,00
	TEI5064	16.5" Front Seat to Floor	0,00
	TEI5065	17.0" Front Seat to Floor	0,00
	TEI5066	17.5" Front Seat to Floor	0,00
	TEI5067	18.0" Front Seat to Floor	0,00
	TEI5068	18.5" Front Seat to Floor	0,00

<b>Sizing:</b>			
Code	Description:	Publieke prijs in € 6% BTW inbegrepen	
<b>Seat Depth (Upholstery):</b>			
	TEI5038	12" Seat Depth	0,00
	TEI5040	13" Seat Depth	0,00
	TEI5042	14" Seat Depth	0,00
	TEI5044	15" Seat Depth	0,00
	TEI5046	16" Seat Depth	0,00
	TEI5048	17" Seat Depth	0,00
	TEI5050	18" Seat Depth	0,00
	TEI5052	19" Seat Depth	0,00
<b>Extra Frame Depth: (See definitions)</b>			
	TEI5140	0.0" Extra Frame depth	0,00
	TEI5141	0.5" Extra Frame depth	0,00
	TEI5142	1.0" Extra Frame depth	0,00
	TEI5143	1.5" Extra Frame depth	0,00
	TEI5144	2.0" Extra Frame depth	0,00
<b>Frame Options:</b>			
	TE75007	Solid Seat with Welded Ridgidizer Bars	212,00
<b>Wheelbase: (front to rear axle)</b>			
	TE75066	15" Wheelbase	0,00
	TE75067	16" Wheelbase	0,00
	TE75068	17" Wheelbase	0,00
	TE75069	18" Wheelbase	0,00
	TE75070	19" Wheelbase	0,00
<b>Side Guards: (see exclusions)</b>			
	TE20004	Fixed Aluminum, Clamp-on	118,00
	TE20005	Fixed Aluminum 6" above seat	185,00
	TE20007	Fixed Carbon Fiber 6" above seat	571,00
	TE20006	Welded Aluminum Tube 6" above seat	373,00
<b>Anti-Tip:</b>			
	TE20030	Adjustable Height, Single	0,00
	TE20031	Adjustable Height, Double	149,00
<b>Wheel Camber Angle:</b>			
	TE45006	12 Degree Camber	0,00
	TE45008	15 Degree Camber	0,00
	TE45009	18 Degree Camber	0,00
	TE45010	20 Degree Camber	0,00
<b>Wing Style: (see diagram 3)</b>			
	TE75031	Four Bend Wing	0,00
	TE75032	Bumper	0,00

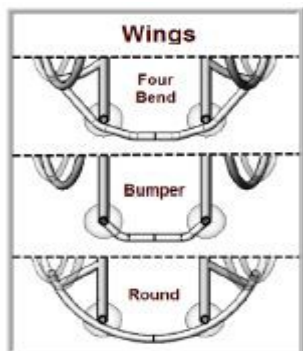
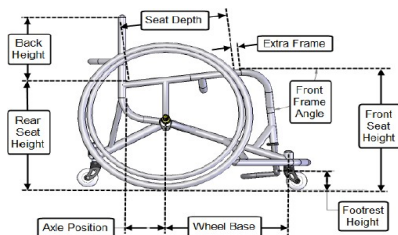
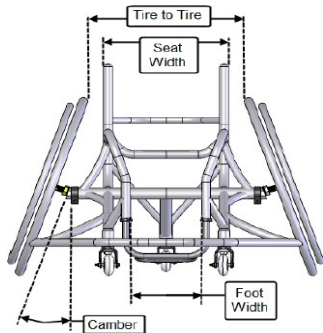
TEI5069	19.0" Front Seat to Floor	0,00		TE75030	Round Wing		140,00
TEI5070	19.5" Front Seat to Floor	0,00		<b>Center of Gravity: (front of backrest to center of axle)</b>			
TEI5071	20.0" Front Seat to Floor	0,00		<b>Fixed:</b>			
TEI5072	20.5" Front Seat to Floor	0,00		TE45049	Fixed at 3.0" with Welded Backrest		0,00
TEI5073	21.0" Front Seat to Floor	0,00		TE45050	Fixed at 3.5" with Welded Backrest		0,00
<b>Rear Seat to Floor:</b>				TE45051	Fixed at 4.0" with Welded Backrest		0,00
TEI5080	14.5" Rear Seat to Floor	0,00		TE45052	Fixed at 4.5" with Welded Backrest		0,00
TEI5081	15.0" Rear Seat to Floor	0,00		TE45053	Fixed at 5.0" with Welded Backrest		0,00
TEI5082	15.5" Rear Seat to Floor	0,00		TE45054	Fixed at 5.5" with Welded Backrest		0,00
TEI5083	16.0" Rear Seat to Floor	0,00		TE45055	Fixed at 6.0" with Welded Backrest		0,00
TEI5084	16.5" Rear Seat to Floor	0,00		<b>Adjustable: (see exclusions)</b>			
TEI5085	17.0" Rear Seat to Floor	0,00		TE 45074	Adjustable 2" to 4" with adjustable angle bolt-on backrest		0,00
TEI5086	17.5" Rear Seat to Floor	0,00		TE45075	Adjustable 3" to 5" with adjustable angle bolt-on backrest		0,00
TEI5087	18.0" Rear Seat to Floor	0,00		TE45076	Adjustable 4" to 6" with adjustable angle bolt-on backrest		0,00
TEI5088	18.5" Rear Seat to Floor	0,00		<b>Tires:</b>			
TEI5089	19.0" Rear Seat to Floor	0,00		TE50200	24" Primo, Grey tires		0,00
TEI5090	19.5" Rear Seat to Floor	0,00		TE50204	24" Primo, Red tires		29,00
TEI5091	20.0" Rear Seat to Floor	0,00		TE50208	24" Primo, Yellow tires		29,00
TEI5092	20.5" Rear Seat to Floor	0,00		TE50201	25" Primo, Grey tires		0,00
TEI5093	21.0" Rear Seat to Floor	0,00		TE50205	25" Primo, Red tires		29,00
<b>Back Height:</b>				TE50209	25" Primo, Yellow tires		29,00
<b>Adjustable:</b>				TE50202	26" Primo, Grey tires		0,00
TEI5126	Adjustable 9" to 11" back height	0,00		TE50206	26" Primo, Red tires		29,00
TEI5127	Adjustable 10" to 14" back height	0,00		TE50210	26" Primo, Yellow tires		29,00
TEI5128	Adjustable 14" to 18" back height	0,00		TE50203	700C Primo, Grey tires		0,00
<b>Fixed:</b>				TE50207	700C Primo, Red tires		29,00
TEI5101	Fixed at 8" back height	0,00		TE50211	700C Primo, Yellow tires		29,00
TEI5103	Fixed at 9" back height	0,00		<b>Spoke Guards:</b>			
TEI5105	Fixed at 10" back height	0,00		TE25052	24" Black Spoke Guards		104,00
TEI5107	Fixed at 11" back height	0,00		TE25049	24" Clear Spoke Guards		104,00
TEI5109	Fixed at 12" back height	0,00		TE25053	25" Black Spoke Guards		104,00
TEI5111	Fixed at 13" back height	0,00		TE25050	25" Clear Spoke Guards		104,00
TEI5113	Fixed at 14" back height	0,00		TE25054	26" Black Spoke Guards		104,00
TEI5115	Fixed at 15" back height	0,00		TE25051	26" Clear Spoke Guards		104,00
<b>Footrest: (see definitions)</b>				<b>Axles:</b>			
TE60007	Platform, Adjustable Height/Angle with Platform Plate	148,00		TE50400	Quick Release, 1/2" Steel		0,00
TE60003	Tubular, Adjustable Height	0,00		TE50403	Quick Release, 1/2" Titanium		215,00
TE60006	Adjustable Angle/Height	81,00		<b>Tire to Tire distance:</b>			
<b>Options:</b>				TEI5155	Seat Width plus 2.5" tire to tire		0,00
TE60030	Click Strap, Single Pad	117,00		<b>Color Options:</b>			
TE60028	2" Risers	50,00		<b>Frame Color:</b>			
TE60029	4" Risers	50,00		TE55002	Red	Tangerine Red	0,00
TE60026	Plastic Footrest Cover	30,00		TE55003	Red	Raspberry Red	0,00
TE60027	Carbon Fiber Footrest Cover	90,00		TE55005	Orange	Simple Orange	0,00
<b>Front Frame Angle:</b>				TE55007	Yellow	Safety Yellow	0,00
TE75050	80 Degrees	0,00		TE55008	Green	Grasshopper Green	0,00
TE75051	85 Degrees	0,00		TE55010	Blue	Midnight Blue	0,00
TE75052	90 Degrees	0,00		TE55011	Blue	Royal Blue	0,00
TE75053	100 Degrees	0,00		TE55012	Blue	Electric Blueberry	0,00
<b>Footrest Height from Floor: Adjustable</b>				TE55014	Purple	Grape Madness	0,00
TE60060	1" Top of footrest to floor	0,00		TE55015	Pink	Bubble-Gum Pink	0,00
TE60062	2" Top of footrest to floor	0,00		TE55016	White	White Snow	0,00
TE60064	3" Top of footrest to floor	0,00		TE55017	Black	Stealth Black	0,00
TE60066	4" Top of footrest to floor	0,00					
TE60068	5" Top of footrest to floor	0,00					

<b>Rear Wheel Options: (continued)</b>			
<b>Handrim (HR) Size/Material:</b>			
TE50300	24" (6 tab) Aluminum Anodized HR		0,00
TE50301	25" (6 tab) Aluminum Anodized HR		0,00
TE50305	25" (12 tab) Aluminum HR		1.196,00
TE50302	26" (6 tab) Aluminum Anodized HR		0,00
TE50306	26" (12 tab) Aluminum HR		1.196,00
TE50303	700C (6 tab) Aluminum Anodized HR		0,00
TE50314	700C (12 tab) Aluminum HR		1.196,00
<b>Handrim Style/Mounting:</b>			
TE50308	Standard Mount Handrim		0,00
TE50309	Close Mount Handrim		0,00
TE50310	Close Mount HR, Cut-Tabs - Aluminum		39,86
<b>Rear Wheel Options: Size and Style:</b>			
TE50001	24" Sun High Performance		0,00
TE50005	24" Spinergy SLX - Black		786,00
TE50009	24" Spinergy SLX - Yellow		786,00
TE50013	24" Spinergy SLX - White		786,00
TE50017	24" Spinergy SLX - Red		786,00
TE50021	24" Spinergy SLX - Blue		786,00
TE50025	24" Spinergy SLX - Green		786,00
TE50029	24" Spinergy SLX - Pink		786,00
TE50116	24" Sun Equalizer Cross Spoke (See definitions)		170,00
TE50002	25" Sun High Performance		0,00
TE50006	25" Spinergy SLX - Black		786,00
TE50010	25" Spinergy SLX - Yellow		786,00
TE50014	25" Spinergy SLX - White		786,00
TE50018	25" Spinergy SLX - Red		786,00
TE50022	25" Spinergy SLX - Blue		786,00
TE50026	25" Spinergy SLX - Green		786,00
TE50030	25" Spinergy SLX - Pink		786,00
TE50117	25" Sun Equalizer Cross Spoke		170,00
TE50003	26" Sun High Performance		0,00
TE50007	26" Spinergy SLX - Black		786,00
TE50011	26" Spinergy SLX - Yellow		786,00
TE50015	26" Spinergy SLX - White		786,00
TE50019	26" Spinergy SLX - Red		786,00
TE50023	26" Spinergy SLX - Blue		786,00
TE50027	26" Spinergy SLX - Green		786,00
TE50031	26" Spinergy SLX - Pink		786,00
TE50118	26" Sun Equalizer Cross Spoke		170,00
TE50004	700C Sun High Performance		0,00
TE50008	700C Spinergy SLX - Black		786,00
TE50012	700C Spinergy SLX - Yellow		786,00
TE50016	700C Spinergy SLX - White		786,00
TE50020	700C Spinergy SLX - Red		786,00
TE50024	700C Spinergy SLX - Blue		786,00
TE50028	700C Spinergy SLX - Green		786,00
TE50032	700C Spinergy SLX - Pink		786,00
TE50119	700C Sun Equalizer Cross Spoke (See definitions)		170,00
<b>Options and Accessories:</b>			
<b>Safety:</b>			
TE25065	Rear Frame Protector		0,00

TE55018	Black	Wet Black	0,00
TE55019	Black	Black Prism	0,00
TE55020	Silver	Silver Metallic	0,00
TE55023	Grey	Stealth Grey	0,00
<b>Upholstery:</b>			
<b>Material/Color:</b>			
TE30001	Nylon, Black upholstery		0,00
TE30002	Nylon, Woodland Camouflage upholstery		153,00
TE30003	Nylon, Digital Camouflage upholstery		149,00
<b>Seat Style:</b>			
TE30014	Adjustable Tension Seat Upholstery		0,00
<b>Back Style:</b>			
TE30012	Adjustable Tension Back Upholstery		0,00
<b>Options:</b>			
TE30004	Leather Flap & aluminum dome plugs*		76,00
TE30005	2" Soft Foam Cushion		91,00
TE30006	3" Soft Foam Cushion		91,00
TE30008	2" Hard Foam Cushion		108,00
TE30009	3" Hard Foam Cushion		108,00
TE30010	4" Hard Foam Cushion		108,00
<b>Accessories:</b>			
TE25011	Basketball Carrying Bag		84,00
<b>Apparel:</b>			
TE25009	T-Shirt, Large		28,00
TE25010	T-Shirt, Extra Large		28,00

TE25005	Front Frame Protector	24,00
TE25066	Calf Strap	0,00
<b>Positioning:</b>		
TE25001	Click Strap set, 8" Small	117,00
TE25002	Click Strap set, 10" Medium	128,00
TE25003	Click Strap set, 12" Large	136,00
TE25012	Metal O-Ring Strap	68,00
TE25013	Hook and Loop Strap	51,00

Note: All Special requests are subject to approval, additional charges and additional lead time  
 Special Request 1)  
 Special Request 2)  
 Special Request 3)  
 Special Request 4)  
 Special Request 5)



Product Guides:			
Wheelbase Guide:			
Seat Depth:	12" to 14"	15" to 16"	17" to 19"
Recommended Wheelbase:	15"	16" to 18"	19"
Wheel Size Guide:			
Rear Seat Height:	16 or less	16.5" to 19"	19" to 21"
Player Specifications:	Junior's/Short arms	Adult/3.0 or lower	Adult/3.5 or higher
Recommended Wheel Size:	24"	25"	26"

Definitions:	
<b>Footrest</b>	Footrest width will be seat width minus 6"
<b>Heavy Duty Options :</b>	Brings the weight capacity of the chair up to 350 pounds. Chair is build with 1-1/8" 7000 series aluminum.
<b>Tapered Seat Width :</b>	Taper of seat width from back to front, maximum difference of 4". Seat width chosen is rear seat width and seat width tapers to the front of the chair based on tapered selection.
<b>Extra Frame Depth :</b>	Allows for an extra 1/2" to 2" of extra frame for transferring and length of frame.
<b>2" or 4" Risers :</b>	Posts installed to raise footrest height to 5.5" or higher.
<b>Sun Equalizer Wheels:</b>	All Sun Equalizer wheels have a crossed spoke lacing pattern. 24" have 36 spokes and come with 6 tab aluminum anodized handrims, 25", 26", and 700C have 48 spokes and come with 12 tab aluminum anodized handrims.
<b>Leather flaps:</b>	The leather flap upgrade includes a 3" leather flaps for reinforced heavy duty upholstery and an aluminum back frame plug to help prevent tearing.
<b>Buffed Aluminum:</b>	Raw looking aluminum finish, no paint. Decals will be applied.

Exclusions:	
<b>Adjustable Center of Gravity :</b>	The Fixed, Clamp-on Sideguards (20004) are the only sideguards available with the adjustable center of gravity.
<b>Sideguards:</b>	Fixed, Clamp-on sideguards (20004) are the only option available with adjustable center of gravity options.