



## Invacare® ScanBed 400

---



Spare Part List – GB

Invacare® ScanBed 400

Invacare® EC-Høng AIS  
Ident. No: 1441215  
Version 01 11.2000



# Information about using this list

## Order of wearing parts/exchange kit:

In the table of contents on page 3 you can see where in the list you can find the required part/kit.  
Wearing parts are sold in exchange kits with an order number for the entire kit.

<b>Storage rack for disassembled bed</b>				
Page 1 of 2				
Ident. no.:				
Storage rack: 021960.XX				
November 2000				
Pos.	Spare parts Ident. no.:	Exchange kit no.:	Pcs.	Description
01	819452	021944	4	Ferrules
02		X	4	Nut M12

## Order of spare parts:

In the table of contents on page 3 you can see where in the list you can find the wanted part. Spare parts are sold individually.

The part number is as shown below marked with grey background:

<b>Storage rack for disassembled bed</b>				
Page 1 of 2				
Ident. no.:				
Storage rack: 021960.XX				
November 2000				
Pos.	Spare parts Ident. no.:	Exchange kit no.:	Pcs.	Description
01	819452	021944	4	Ferrules
02		X	4	Nut M12

## Order of a complete unit:

In the table of contents on page 3 you can see where in the list you can find the wanted unit of the bed.  
The part number is as shown below marked with grey background:

<b>Storage rack for disassembled bed</b>				
Page 1 of 2				
Ident. no.:				
Storage rack: 021960.XX				
November 2000				
Pos.	Spare parts Ident. no.:	Exchange kit no.:	Pcs.	Description
01	819452	021944	4	Ferrules
02		X	4	Nut M12

## Painted parts and wooden parts:

If a part number is followed by ".XX", you have to fill in the colour code and/or the code for the type of wood of your bed, because the order number contains one of or both of these elements.

## Spare parts – SB 400

2-sectioned mattress support with motor on backrest	4-5
4-sectioned mattress support with motor on backrest	6-7
4-sectioned mattress support with motor on backrest and thigh section/leg support – with back rest return	8 - 9
Base with braking castor – ø75 / ø125 mm	10 - 11
Base with ø125 mm central braking castor – with and without direction control	12 – 13
Base SWL 250 kg with ø125 mm central braking castor – without direction control	14 – 15
Bed end bow with plate incl. fittings with u-profiles	16 – 17
ODA bedends incl. fittings with u-profiles	18 – 19
PIGGY bedends incl. fittings with u-profiles	20 – 21
FLEX III wooden bedends incl. fittings	22 – 23
SANNE III wooden bedends incl. fittings	24 – 25
SANNE III wooden bedends – without alum-slides – incl. fittings	26 – 27
Metal side rail – Model 5519 – 5539	28 – 29
Metal side rail with plastic insert – Model 5526 - 5528	30 – 31
Metal side rail without vertical braces – Model 5525	32 – 33
Wooden side rail BRITT III	34 – 35
Support	36 – 37
Mattress support extension	38 – 39
Bumper wheel ø 75 mm – Model 5960	40 – 41
Lifting pole – Model 571 I	42 – 43
Accumulator back-up	44 – 45
Transportation rack for assembled bed	46 – 47
Storage rack for disassembled bed	48 – 49
Address list	

## 2-sectioned mattress support with motor on back rest

Page 1 of 2

Ident. no.:

2-sectioned mattress support with motor on back rest: 400.120.XX

November 2000

Pos.	Spare parts Ident. no.	Exchange kit no.: 1415719 Motor-set	Exchange kit no.: 1415616- XXXX Lock fittings / guideways	Exchange kit no.: 1415617 Diverse mounting parts	Exchange kit no.: 1415618 Plastic plugs	Pcs.	Description
01	215989					2	Handle for mattress - plastic
02						1	Back rest
03	321562	X				1	Control CB 09
	819430	X				1	Cable for UK
	813212	X				1	Sign for UK control
04	821240	X				1	Wire mark "1"
05	818360	X				1	Lock cam for control unit
06	819411	X		X		2	Pipe pin
07	321561	X				1	Motor – back rest
08						1	Leg support
09				X		1	Plastic cap
10						4	Tubular rivet
11					X	2	Ferrules
12						1	Top frame – foot
13				X		1	Distance piece
14				X		1	Lock ring ø6
15				X		1	Lock ring ø8
16				X		1	Pin
17				X		1	Pin
18				X		1	Raise fitting
19					X	2	Ferrules
20			X	X		9	Screw, self boring ø5.5x19
21			X			2	Lock fittings incl. lock system
22			X	X		1	Equalizing plate
23				X		2	Screw M8x12
24	321520.60					2	Insertion
25				X		1	Allen key
26	319157	X				1	Hand control box
27				X		2	Thumb screw
28			X			1	Guideway – left
29						1	Top frame – head
30			X			1	Guideway – right
31						2	Sign for placement of metal side rail
32			X			1	Potential equalizing socket
33					X	2	Ferrules
34					X	1	Ferrules
35					X	2	Ferrules

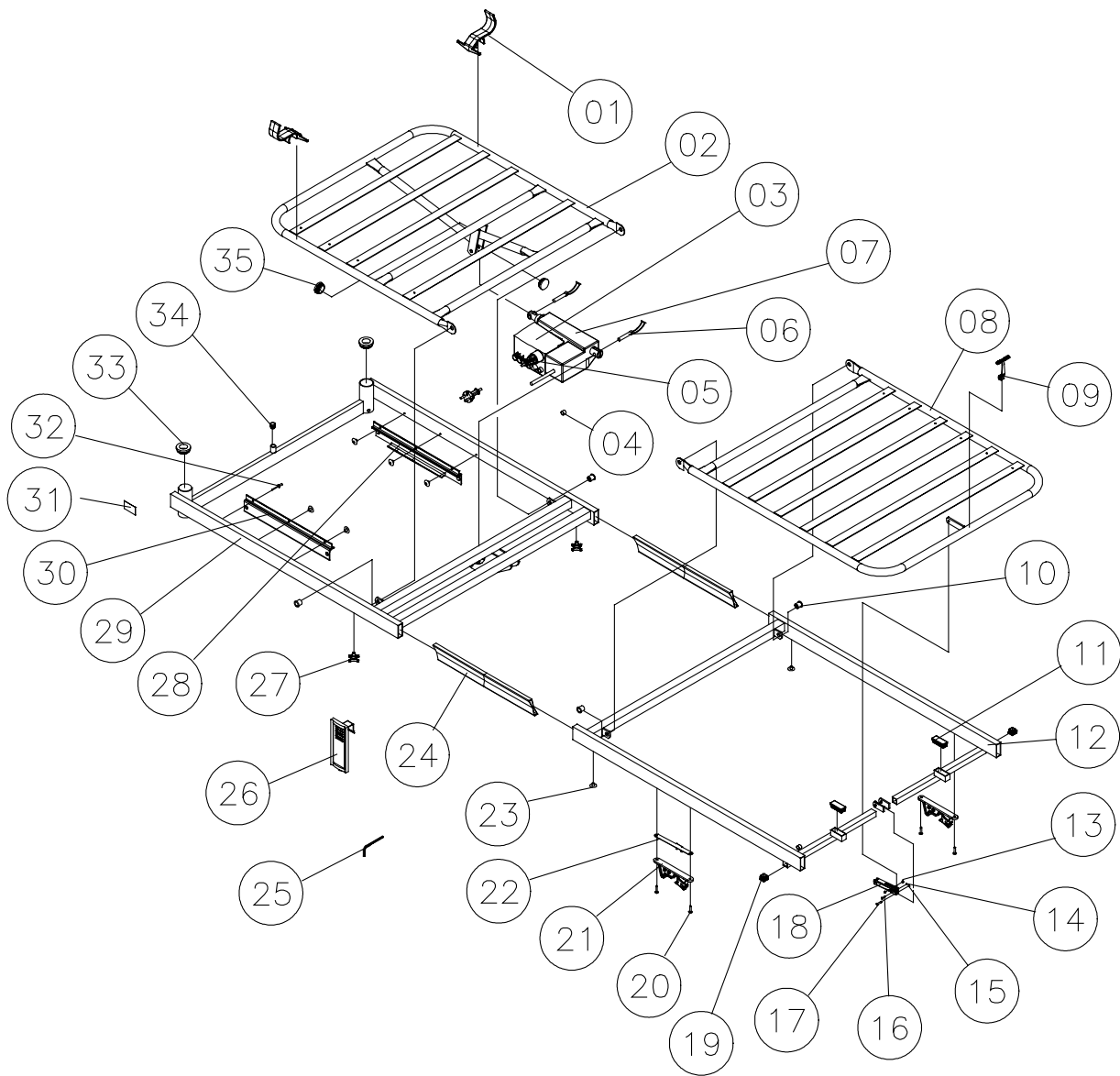
# 2-sectioned mattress support with motor on back rest

Page 2 of 2

Ident. no.:

2-sectioned mattress support with motor on back rest: 400.120.XX

November 2000



## 4-sectioned mattress support with motor on back rest and thigh section /leg support

Page 1 of 2

Ident. no.:

4-sectioned mattress support with motor on back rest and thigh section / leg support: 400.132.XX

November 2000

Pos.	Spare parts Ident. no.	Exchange kit no.: 1415718 Motor-set Back rest	Exchange kit no.: 021937 Motor-set Thigh-/leg support	Exchange kit no.: 1415620 Lock fittings / guideways	Exchange kit no.: 1415621 Plastic plugs	Pcs.	Description
01	215989					2	Handle for mattress – plastic
02						1	Back rest
03	321562	X				1	Control CB 09
	819430	X				1	Cable for UK
	813212	X				1	Sign for UK control
04	321561	X				1	Motor – back rest
05	819411	X	X			4	Pipe pin
06	818360	X				1	Lock cam for control
07	821240	X				1	Wire mark "1"
08						1	Thigh section
09						6	Tubular rivet
10						1	Leg support
11						1	Lifter – thigh section / leg support
12			X			2	Plastic washer
13						2	Screw M10x16
14	321557		X			1	Motor – thigh section / leg support
15	821242		X			1	Wire mark "3"
16						2	Bearing bush
17						1	Top frame foot
18				X		9	Screw self boring ø5.5x19
19				X		2	Lock fittings incl. lock system
20				X		1	Equalizing plate
21						2	Washer
22				X		2	Screw M8x12
23	321520.60					2	Insertion
24				X		1	Allen key
25	319157	X				1	Hand control box
26				X		2	Thumb screw
27				X		1	Guideway - left
28						1	Top frame - head
29				X		1	Guideway - right
30						2	Sign for placement of metal side rail
31				X		1	Potentiale equalizing socket
32					X	2	Ferrules
33					X	1	Ferrules
34					X	2	Ferrules

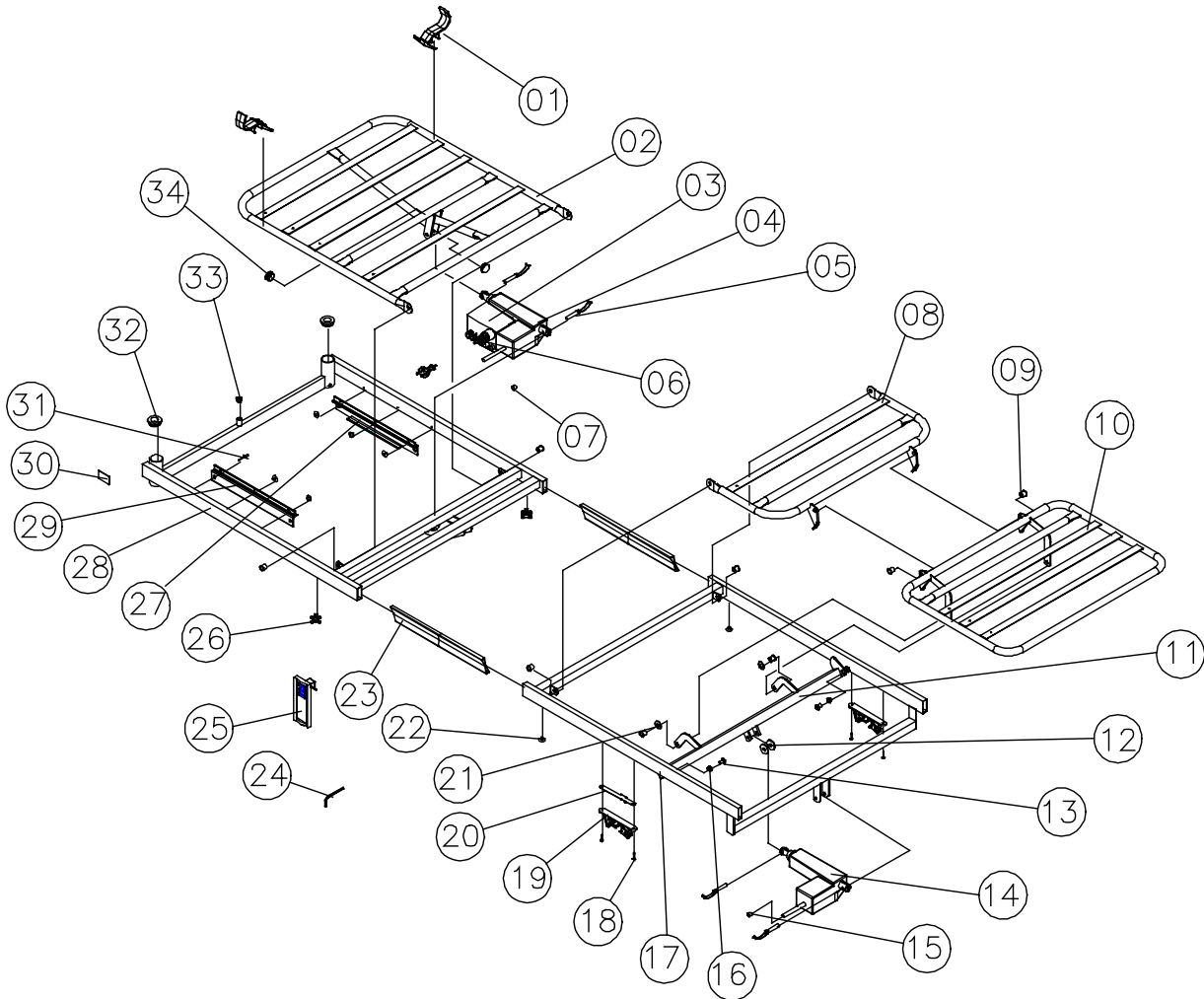
# 4-sectioned mattress support with motor on back rest and thigh section/leg support

Page 2 of 2

Ident. no.:

4-sectioned mattress support with motor on back rest and thigh section/leg support: 400.132.XX

November 2000



#### 4-sectioned mattress support with motor on back rest and thigh section /leg support -

Page 1 of 2

#### with back rest return

Ident. no.:

4-sectioned mattress support with motor on back rest and thigh section / leg support – with back rest return: 400.136.XX

November 2000

Pos.	Spare parts Ident. no.	Exchange kit no.: 1415718 Motor-set Back rest	Exchange kit no.: 021937 Motor-set Thigh-/leg support	Exchange kit no.: 1415620 Lock fittings / guideways	Exchange kit no.: 1415622 Plastic plugs	Pcs.	Description
01	215989					2	Handle for mattress - plastic
02						1	Back rest
03						2	Slide shoe
04						2	Lug
05						2	Starlock button
06						2	Plasticrulle
07						1	Lifter – back rest
08						2	Bearing bush
09						2	Fixing tube
10	818360	X				1	Lock cam for control
11	821240	X				1	Wire mark "1"
12	321561	X				1	Motor - back rest
13	819411	X	X			4	Pipe pin
14	321562	X				1	Control CB 09
	819430	X				1	Cable for UK
	813212	X				1	Sign for UK control
15						1	Thigh section
16						8	Tubular rivet
17						1	Leg support
18						1	Lifter – thigh section / leg support
19						2	Bearing bush
20						2	Screw M10x16
21			X			2	Plastic washer
22	321557		X			1	Motor – thigh section / leg support
23	821242		X			1	Wire mark "3"
24						1	Top frame foot
25				X		9	Screw self boring ø5.5x19
26				X		2	Lock fittings incl. lock system
27				X		1	Equalizing plate
28						2	Washer
29				X		2	Screw M8x12
30	321520.60					2	Insertion
31				X		1	Allen key
32	319157	X				1	Hand control box
33				X		2	Thumb screw
34				X		1	Guideway - left
35						1	Top frame - head
36				X		1	Guideway - right
37						2	Sign for placement of metal side rail
38				X		1	Potentiale equalizing socket
39					X	2	Ferrules
40					X	1	Ferrules



**4-sectioned mattress support with motor on back rest and thigh section /leg support -**

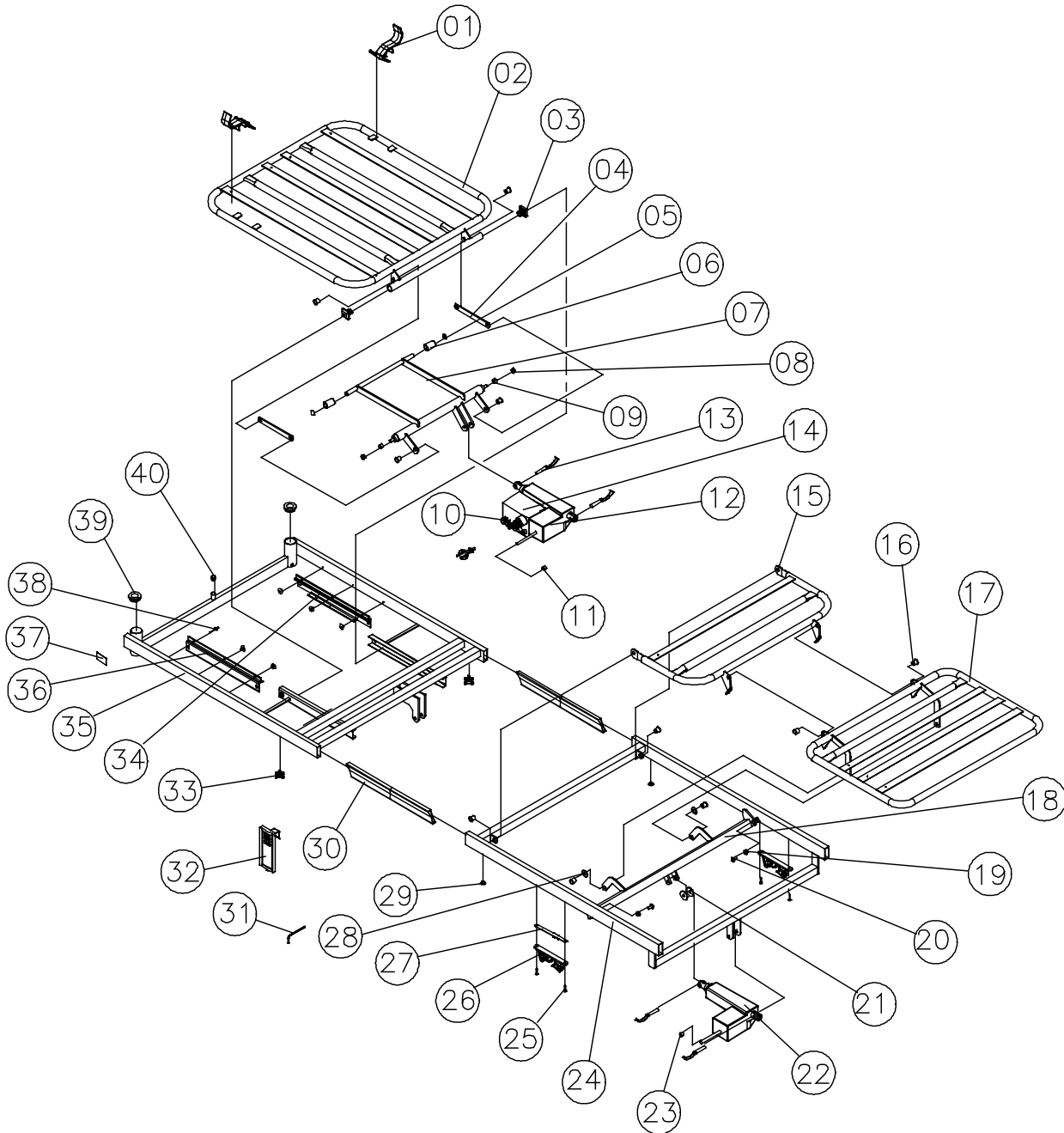
Page 2 of 2

**with back rest return**

Ident. no.:

4-sectioned mattress support with motor on back rest and thigh section / leg support - with back rest return: 400.136.XX

November 2000



**Base with ø75 / ø125 mm braking castor**

Page 1 of 2

Ident. no.:

Base with ø75 mm braking castor: 400.462.XX

Base with ø125 mm braking castor: 400.461.XX

November 2000

Pos.	Spare parts Ident. no.	Exchange kit no.: 1415623 Diverse mounting parts	Exchange kit no.: 021939 Motor-set	Exchange kit no.: 021958 ø75 mm braking castor	Exchange kit no.: 021944 ø125 mm braking castor	Pcs.	Description
01		X				1	Spring
02		X				2	Bearing shell
03						1	Outer shear arm
04		X				4	Slide shoe
05		X				4	Bearing bush
06						1	Inner shear arm
07			X			1	Motor
08			X			1	Wire mark "2"
09	819411		X			4	Pipe pin ø10x50
10		X				2	Turning bush
11		X				2	Tube
12		X				2	Screw M12x55
13		X				4	Ferrules
14				X	X	4	Nut
15				X	X	4	Springwasher
16				X	X	4	Braking castor
17				X	X	4	Screw
18						1	Base
19		X				2	Washer M12

# Base with $\varnothing 75$ / $\varnothing 125$ mm braking castor

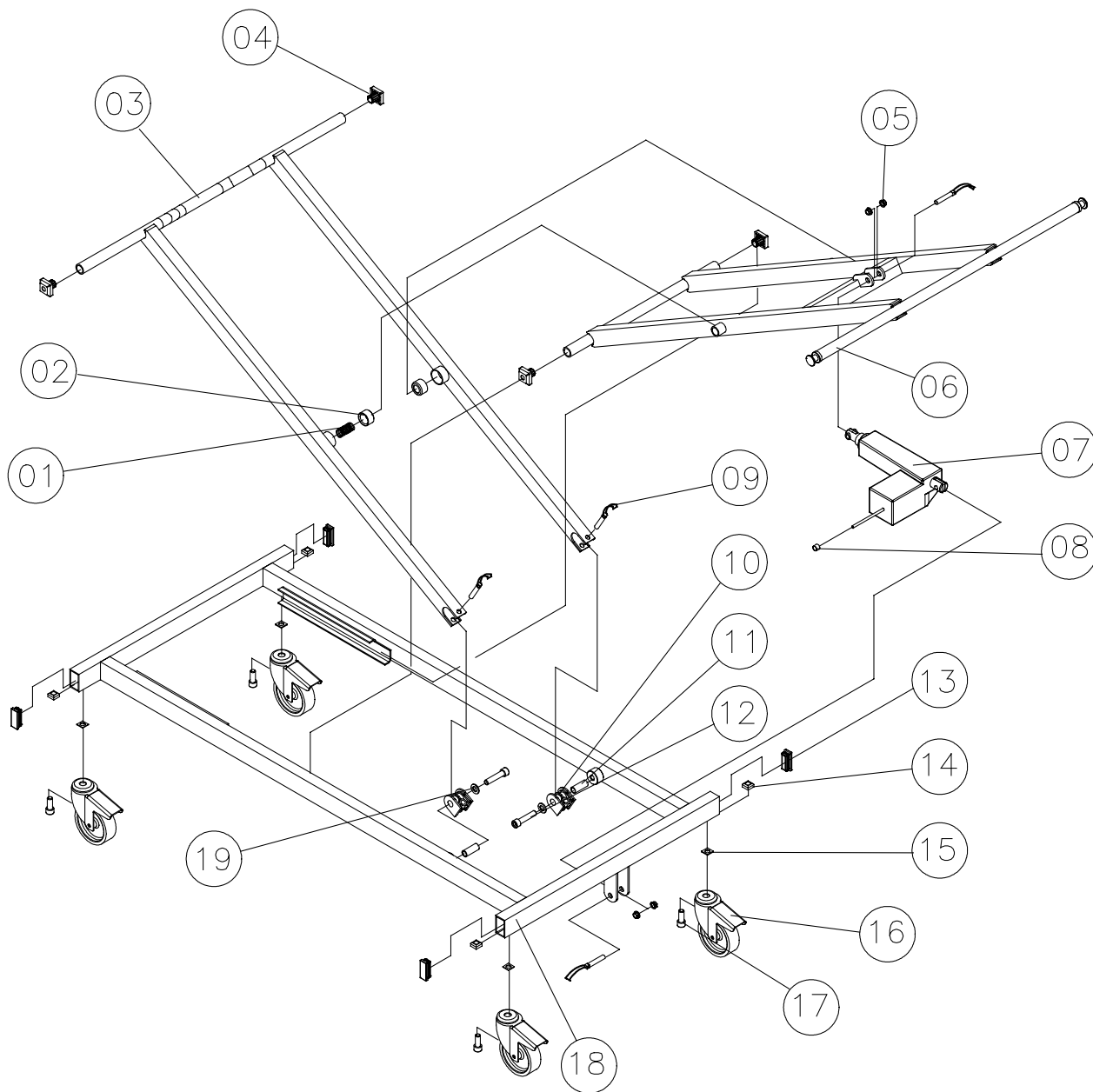
Page 2 of 2

Ident. no.:

Base with  $\varnothing 75$  mm braking castor: 400.462.XX

Base with  $\varnothing 125$  mm braking castor: 400.461.XX

November 2000



## Base with $\varnothing$ 125 mm central braking castor - with and without direction control

Page 1 of 2

Ident. no.:

Base with  $\varnothing$ 125 mm centralbraking castor: 400.465.XX

Base with  $\varnothing$ 125 mm centralbraking castor with direction control: 400.466.XX

November 2000

Pos.	Spare parts Ident. no.:	Exchange kit no.: 1415624 Diverse mounting parts	Exchange kit no.: 021939 Motor-set	Pcs.	Description
01				1	Outer shear arm
02		X		4	Slide shoe
03		X		4	Bearing bush
04				1	Inner shear arm
05			X	4	Pipe pin
06			X	1	Motor
07			X	1	Wire mark "2"
08				2	Self boring screw $\varnothing$ 4.2x25
09				2	Stop
10	317847.XX/L			1	Braking pedal - left
11				4	Screw M8x12
12				6	Nylon washer
13		X		2	Bush
14		X		2	Plastic bush
15		X		2	Washer
16		X		2	Cover for central braking castor
17		X		2	Screw M12x55
18	821202			0 / 1	$\varnothing$ 125 mm central braking castor with direction control
19				1	Axle
20				2	Retainer
21				0 / 1	Spiral clamp pin $\varnothing$ 5x36
22				2	Pedal rubber - red
23		X		2	Pedal rubber - green
24	317847.XX/R	X		1	Braking pedal - right
25				1	Central braking rod
26				2	Spiral clamp pin $\varnothing$ 5x14
27				4	Starlock button
28				4	Washer M8
29				2	Centerscrew M6x8
30		X		1	Axle
31				3 / 4	$\varnothing$ 125 mm centralbraking castor
32				1	Base
33		X		4	Ferrules
34		X		1	Spring
35		X		2	Bearing shell

# Base with $\varnothing 125$ mm centralbraking castor - with and without direction control

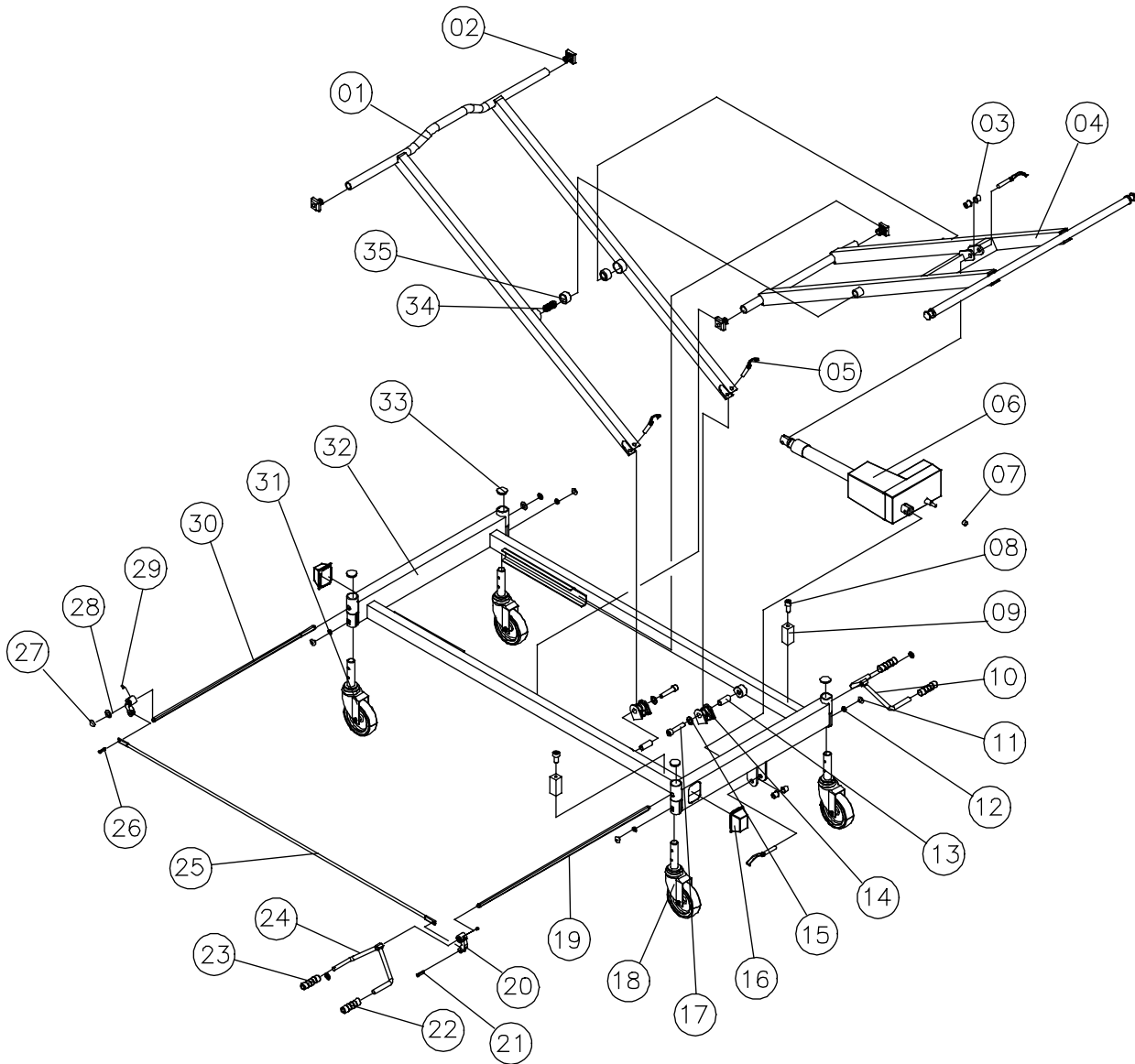
Page 2 of 2

Ident. no.:

Base with  $\varnothing 125$  mm centralbraking castor: 400.465.XX

Base with  $\varnothing 125$  mm centralbraking castor with direction control: 400.466.XX

November 2000



**Base SWL 250 kg with ø125 mm central braking castor**

Page 1 of 2

Ident. no.:

Base SWL 250 kg with ø125 mm central braking castor: 400.470.XX

November 2000

Pos.	Ident. no.	Exchange kit no.: 1415625 Diverse mounting parts	Exchange kit no.: 020715 Motor-set	Pcs.	Description
01				1	Outer shear arm
02		X		4	Slide shoe
03			X	2	Pipe pin ø10x60
04				1	Inner shear arm
05			X	1	Motor
06			X	1	Wire mark "1"
07	317847.XX/L			1	Braking pedal – left
08				4	Screw M8x12
09				6	Nylonwasher
10	821201			4	Central braking castor ø125 mm
11				1	Axle
12				2	Centerscrew M6x8
13				2	Retainer
14				1	Spiral clamp pin ø5x36
15		X		2	Pedal rubber - red
16				2	Screw M12x55
17		X		2	Bush
18		X		2	Turning bush
19		X		2	Washer M12
20	317847.XX/R			1	Braking pedal - right
21		X		2	Pedal rubber - green
22				1	Central braking castorstang
23				1	Spiral clamp pin ø5x14
24				4	Starlock button
25				4	Springwasher
26				1	Axle
27				2	Cover for central braking castor
28				8	Screw ø4.2x13
29				1	Base
30				4	Ferrules
31		X		2	Pipe pin ø10x50
32		X		1	Spring
33		X		2	Bearing shell

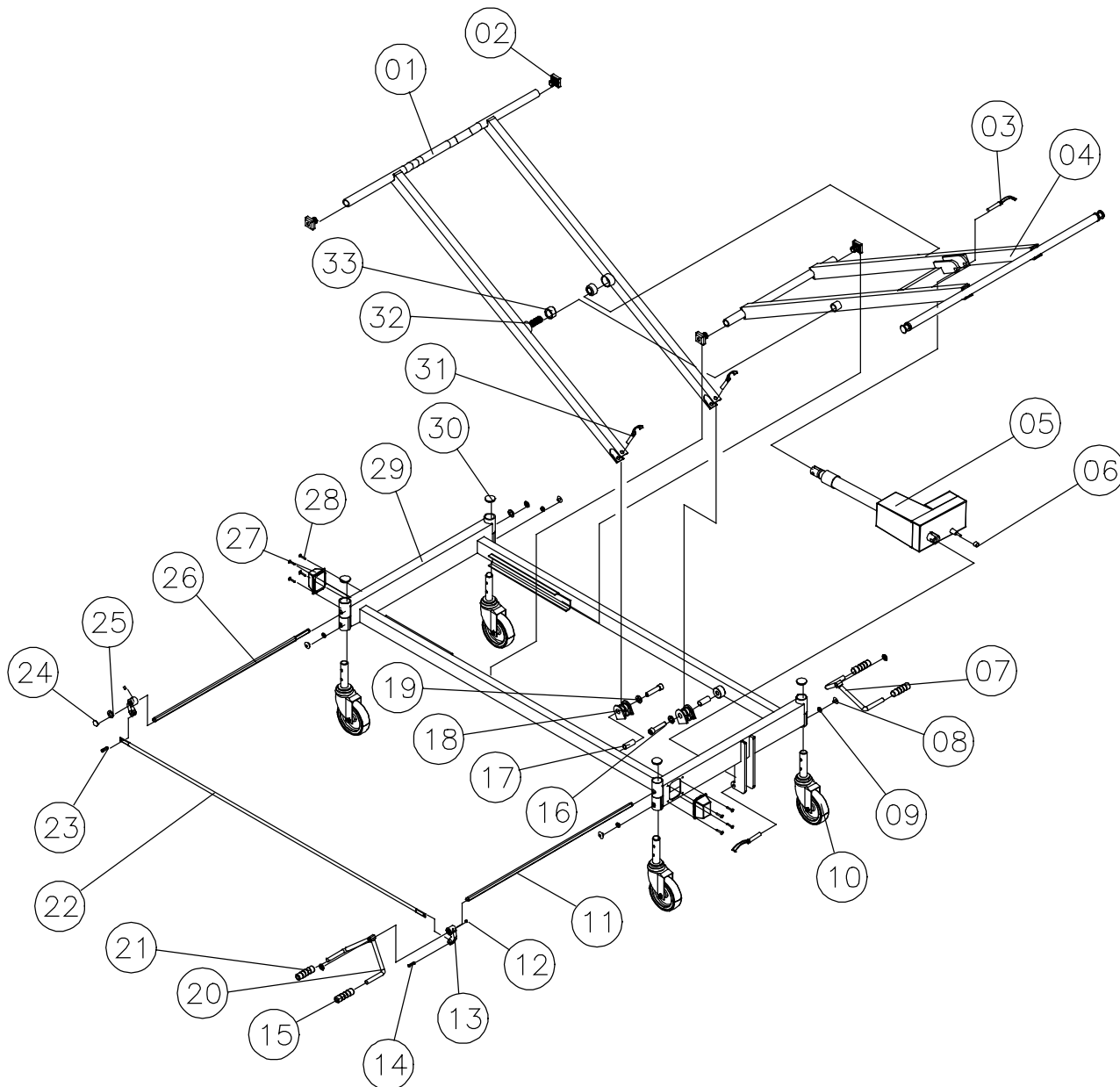
**Base SWL 250 kg with ø125 mm central braking castor**

Page 2 of 2

Ident. no.:

Base SWL 250 kg with ø125 mm central braking castor: 400.470.XX

November 2000



**Bedend bow with plate incl. fittings with u-profiles**

Page 1 of 2

Ident. no.:

Bedend bow with plate incl. fittings with u-profiles: 400.204.XX

November 2000

Pos.	Exchange kit no.:	Pcs.	Description
01	1415626	2	Bedend bow without bedend
02		2	Bedend 8 mm
03		4	Chip board screw $\varnothing 2.5 \times 10$
04		1	Fittings with u-profil – head - left
05		1	Fittings with u-profil – head - right
06	X	8	Membrane nipple
07		1	Fittings with u-profil – foot - left
08	X	4	Screw M8x12
09		1	Fittings with u-profil – foot - right



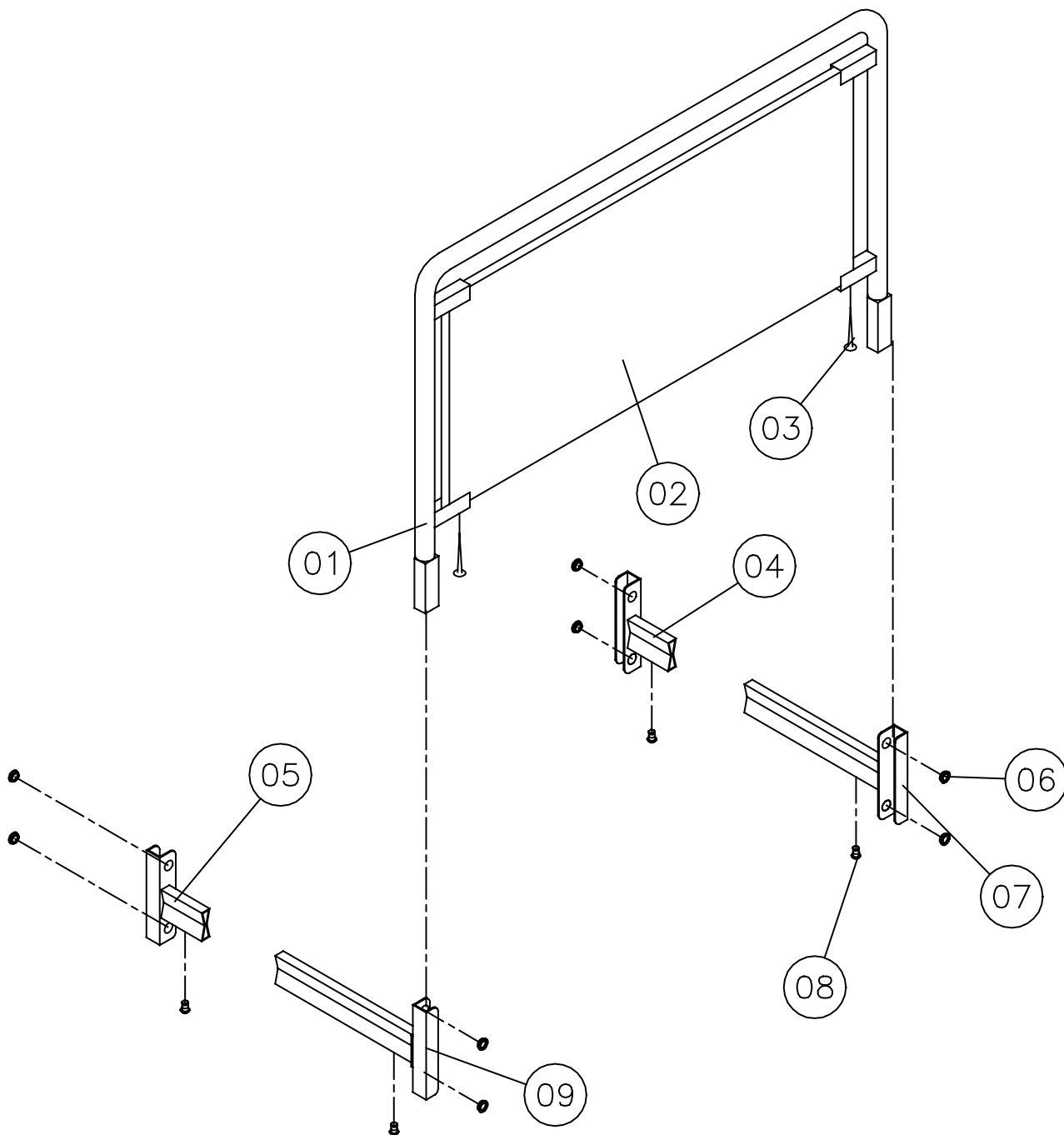
# Bedend bow with plate incl. fittings with u-profiles

Page 2 of 2

Ident. no.:

Bedend bow with plate incl. fittings with u-profiles: 400.204.XX

November 2000



**ODA bedends incl. fittings with u-profiles**

Page 1 of 2

Ident. no.:

ODA bedends incl. fittings with u-profiles: 400.205.XX

November 2000

Pos.	Exchange kit no.: 1415626	Pcs.	Description
01		2	ODA bedend
02		1	Fittings with u-profil – head - right
03		1	Fittings with u-profil – head - left
04	X	8	Membrane nipple
05		1	Fittings with u-profil – foot - left
06	X	4	Screw M8x12
07		1	Fittings with u-profil – foot – right

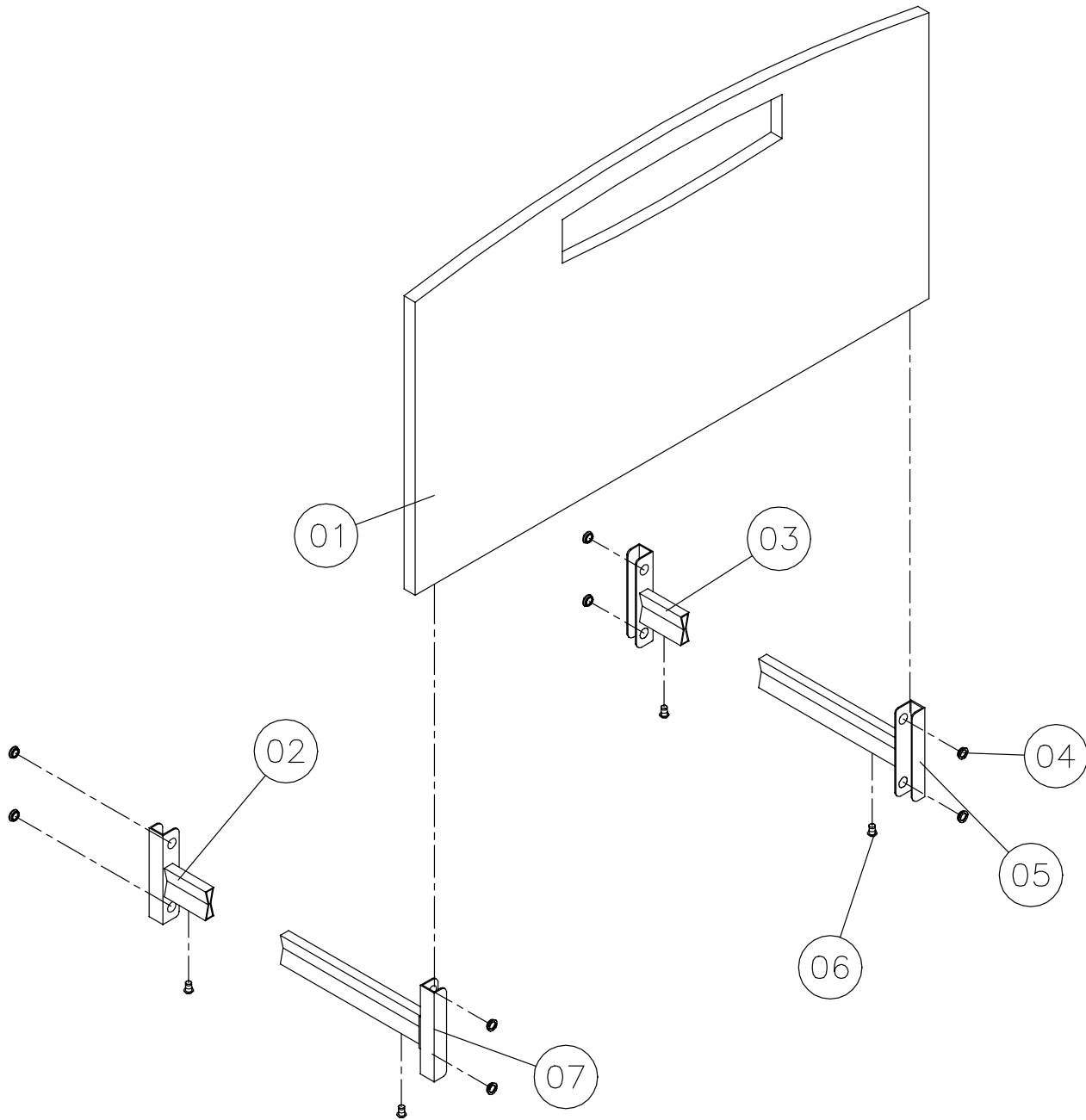
**ODA bedends incl. fittings with u-profiles**

Page 2 of 2

Ident. no.:

ODA bedends incl. fittings with u-profiles: 400.205.XX

November 2000



**PIGGY bedends incl. fittings with u-profiles**

Page 1 of 2

Ident. no.:

PIGGY bedends incl. fittings with u-profiles: 400.206.XX

November 2000

Pos.	Exchange kit no.:	Pcs.	Description
01	1415626	2	PIGGY bedend
02		1	Fittings with u-profil – head - right
03		1	Fittings with u-profil – head - left
04	X	8	Membrane nipple
05		1	Fittings with u-profil – foot - left
06	X	4	Screw M8x12
07		1	Fittings with u-profil – foot – right

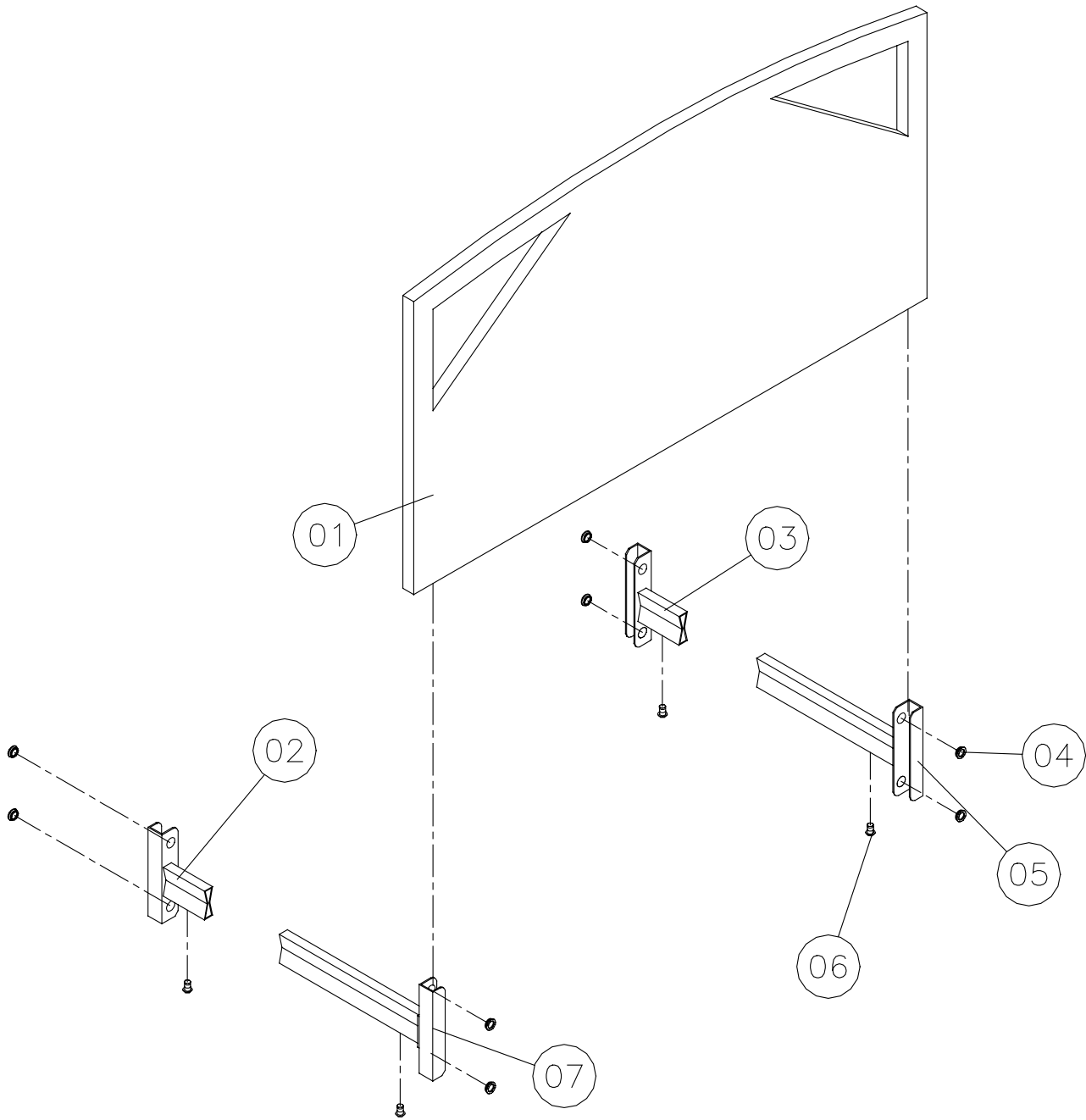
**PIGGY bedends incl. fittings with u-profiles**

Page 2 of 2

Ident. no.:

PIGGY bedends incl. fittings with u-profiles: 400.206.XX

November 2000



**FLEX III wooden bedends incl. fittings**

Page 1 of 2

Ident. no.:

FLEX III wooden bedends incl. fittings: 400.208.XX

November 2000

Pos.	Exchange kit no.:	Pcs.	Description
01	1415627	2	Wooden bedends – FLEX III
02		1	Fittings – head - left
03		1	Fittings – foot - left
04	X	8	Furniture screw M6x40
05		1	Fittings – foot – right
06	X	4	Screw M8x12
07		1	Fittings – head - right

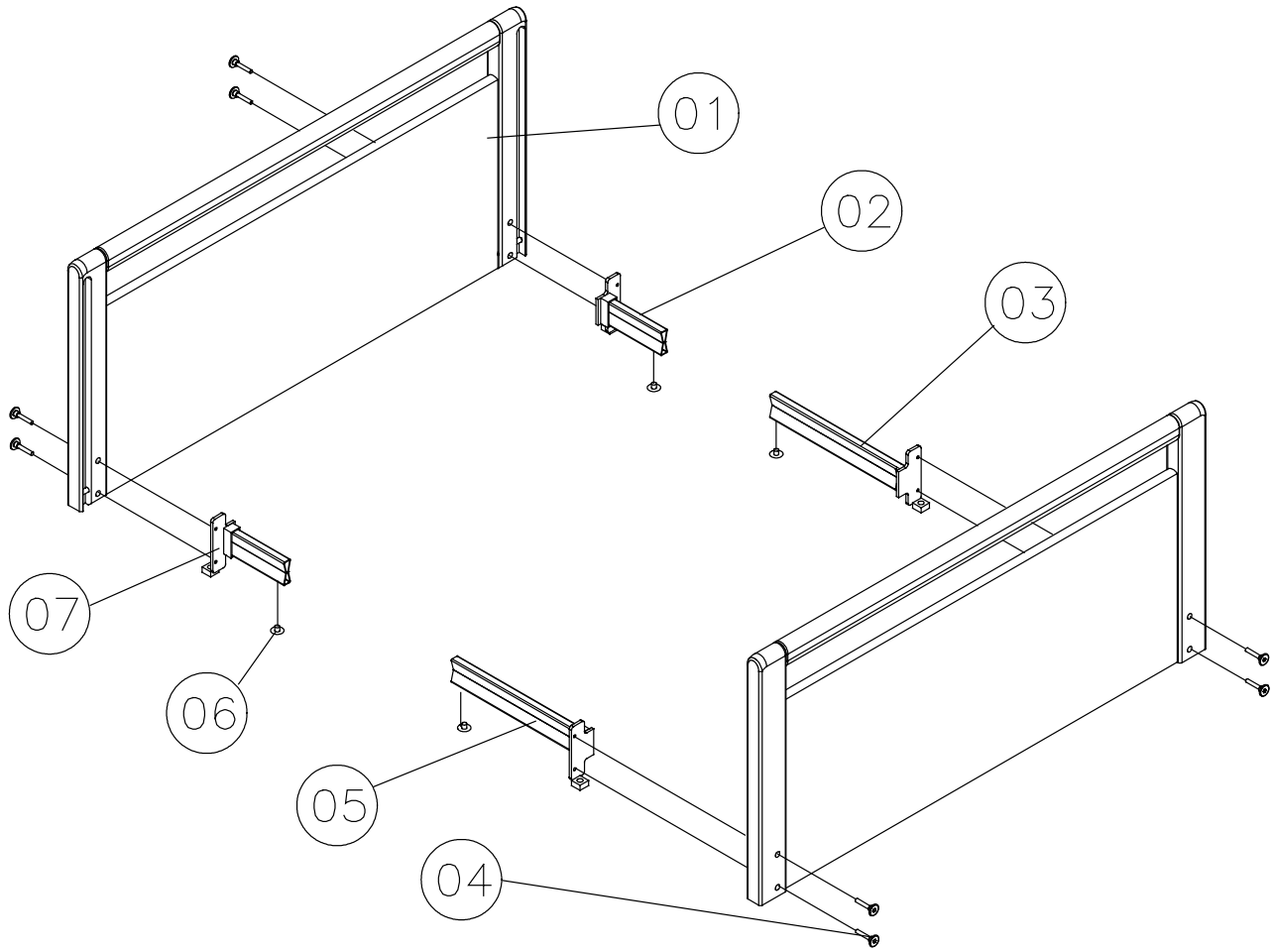
# FLEX III wooden bedends incl. fittings

Page 2 of 2

Ident. no.:

FLEX III wooden bedends incl. fittings: 400.208.XX

November 2000



**SANNE III wooden bedends incl. fittings**

Page 1 of 2

Ident. no.:

SANNE III wooden bedends (cherry / beech - mix) incl. fittings: 400.211.X7

SANNE III wooden bedends incl. fittings: 400.212.XX

November 2000

Pos.	Exchange kit no.: 1415631	Pcs.	Description
01	X	12	Thread bush
02	X	4	Fittings
03	X	12	Screw M8x20
04		2	SANNE III wooden bedends
05		2	Insertion – head
06		4	Screw M8x12
07		4	Spring lock
08		2	Insertion – foot
09		4	Tube



# SANNE III wooden bedends incl. fittings

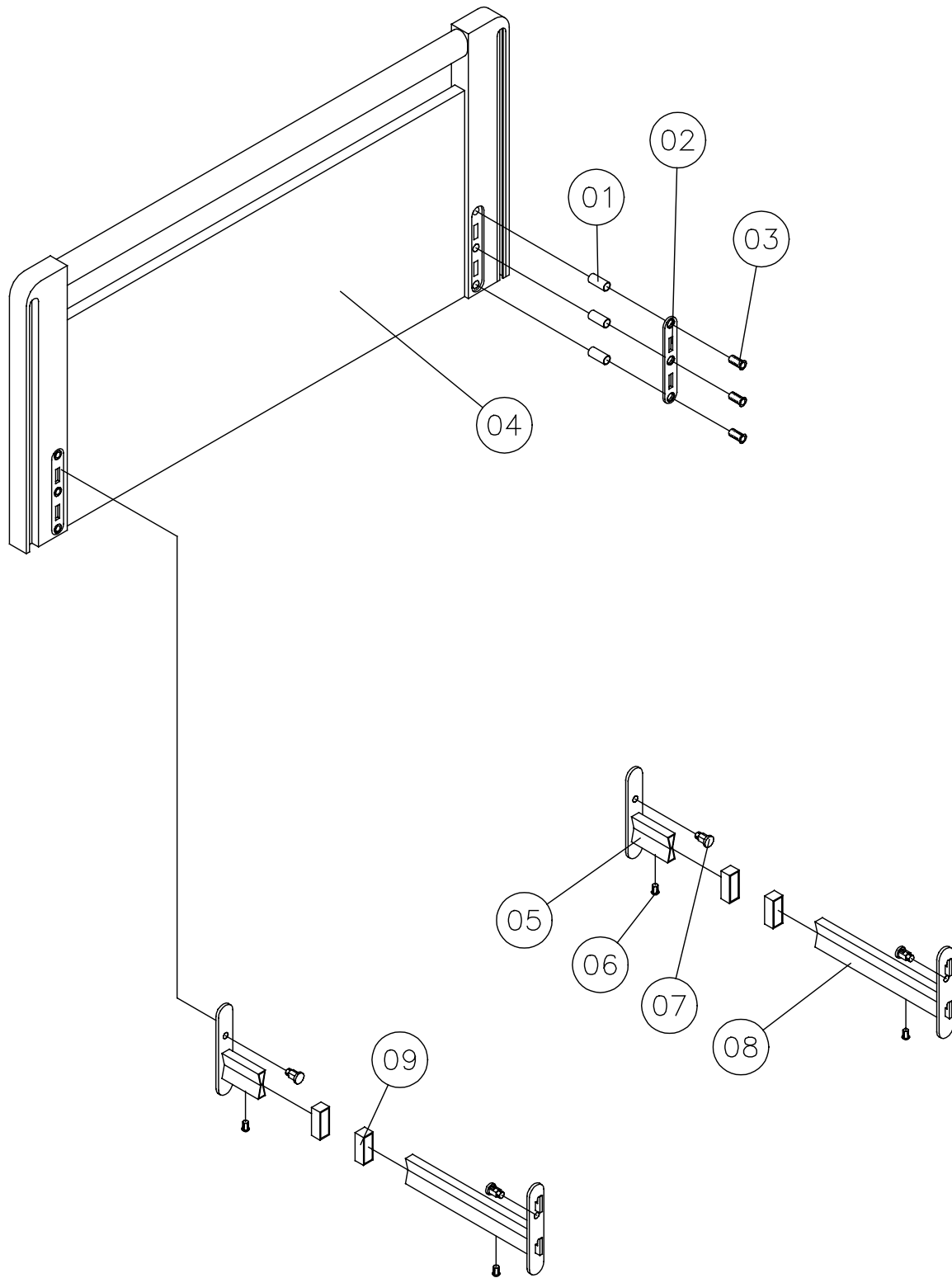
Page 2 of 2

Ident. no.:

SANNE III wooden bedends (cherry / beech - mix) incl. fittings: 400.211.X7

SANNE III wooden bedends incl. fittings: 400.212.XX

November 2000



**SANNE III wooden bedends - without alum-slides - incl. fittings**

Page 1 of 2

Ident. no.:

SANNE III wooden bedends (cherry / beech - mix) – without alum-slides - incl. fittings: 400.213.X7

November 2000

Pos.	Exchange kit no.:	Pcs.	Description
01	X 1415631	12	Threadbush
02	X	4	Fittings
03	X	12	Screw M8x20
04		2	SANNE III wooden bedends without alum-slides
05		2	Insertion – head
06		4	Screw M8x12
07		4	Spring lock
08		2	Insertion – foot
09		4	Tube

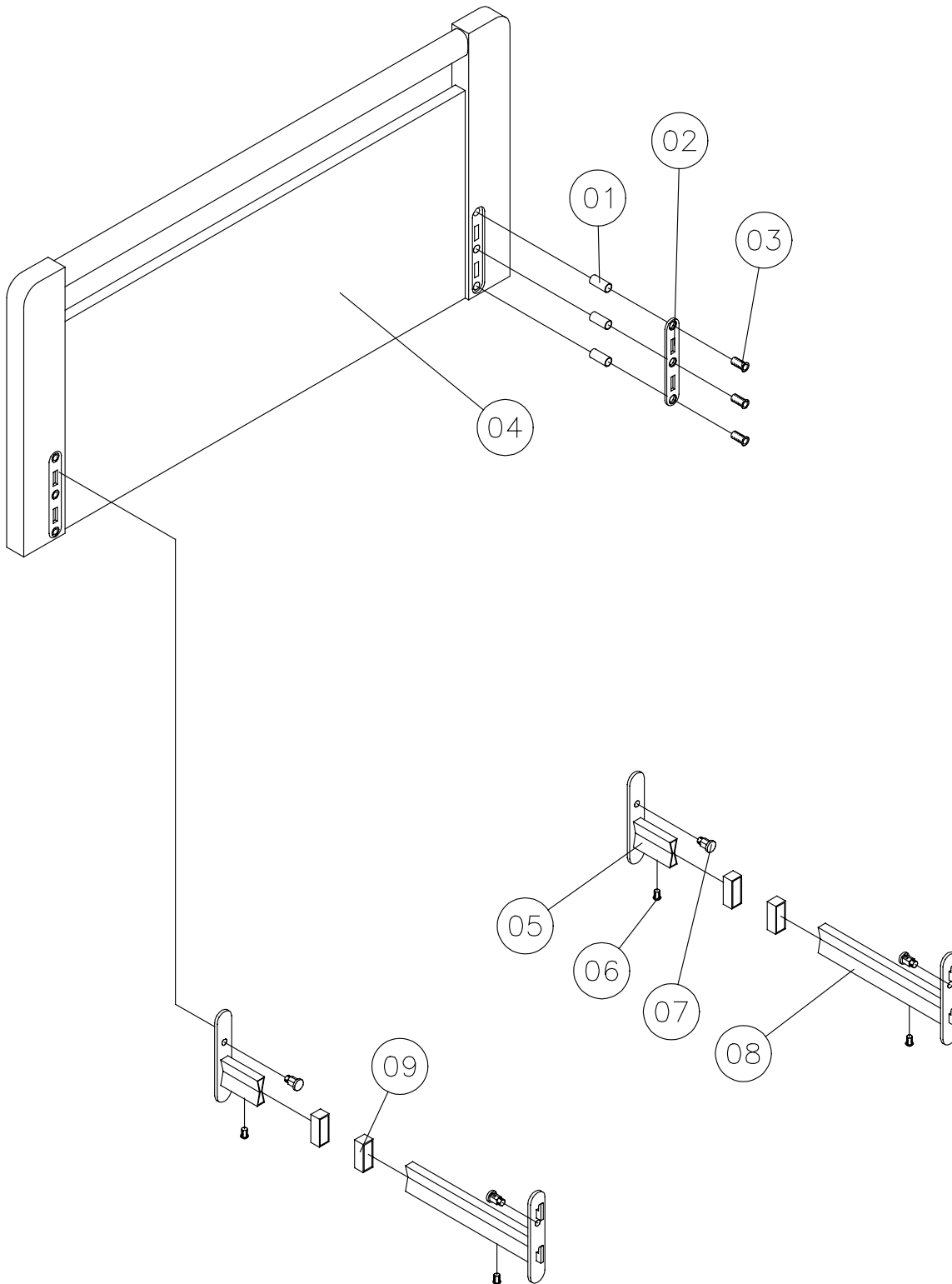
# SANNE III wooden bedends - without alum-slides - incl. fittings

Page 2 of 2

Ident. no.:

SANNE III wooden bedends (cherry / beech - mix) – without alum-slides - incl. fittings: 400.213.X7

November 2000



**Metal side rail – Model 5519 – 5539**

Page 1 of 2

Ident. no.:

Metal side rail – Model 5519 – for 200 cm mattress support: 50.55190.XX/L+R

Metal side rail – Model 5539 – for mattress support extension: 50.55390.XX/L+R

November 2000

Pos.	Exchange kit no.: 020025	Exchange kit no.: 020026	Pcs.	Description
01	X		6	Ferrules
02		X	2	Release button
03		X	2	Check pawl
04		X	2	Spring
05			1 1	Side rail – left Side rail – right
06	X		6	Ferrules
07	X		4	Thumb screw

# Metal side rail – Model 5519 – 5539

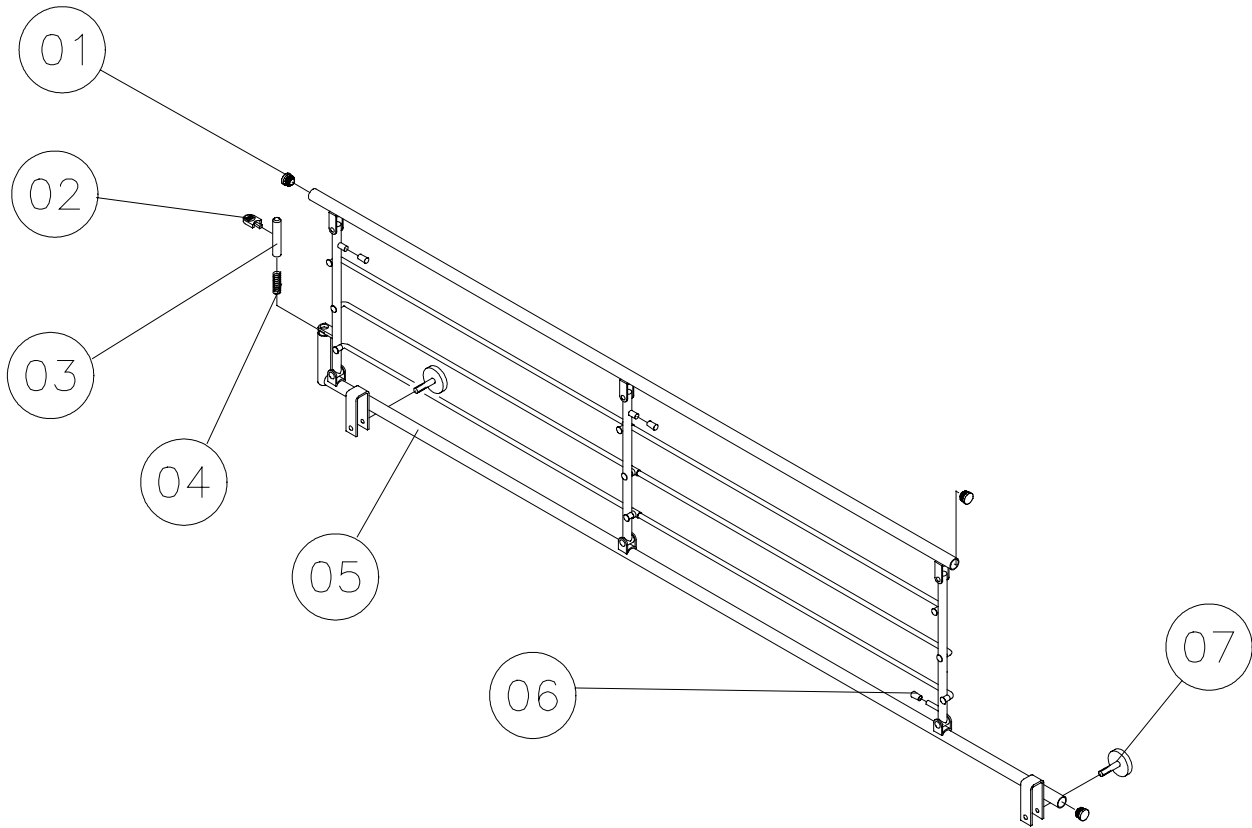
Page 2 of 2

Ident. no.:

Metal side rail – Model 5519 – for 200 cm mattress support: 50.55190.XX/L+R

Metal side rail – Model 5539 – for mattress support extension: 50.55390.XX/L+R

November 2000



**Metal side rail – Model 5526 – 5528**

Page 1 of 2

Ident. no.:

Metal side rail – Model 5526 – for 200 cm mattress support: 50.55260.XX/L+R

Metal side rail – Model 5528 – for mattress support extension: 50.55280.XX/L+R

November 2000

Pos.	Spare parts Ident. no.	Exchange kit no.: 020025	Exchange kit no.: 020026	Pcs.	Description
01		X		6	Ferrules
02			X	2	Release button
03			X	2	Check pawl
04			X	2	Spring
05				1 1	Side rail – left Side rail – right
06		X		6	Ferrules
07		X		4	Thumb screw
08	421843			4	Plastic indlæg
09	421468			4	Cylinder nut

# Metal side rail – Model 5526 – 5528

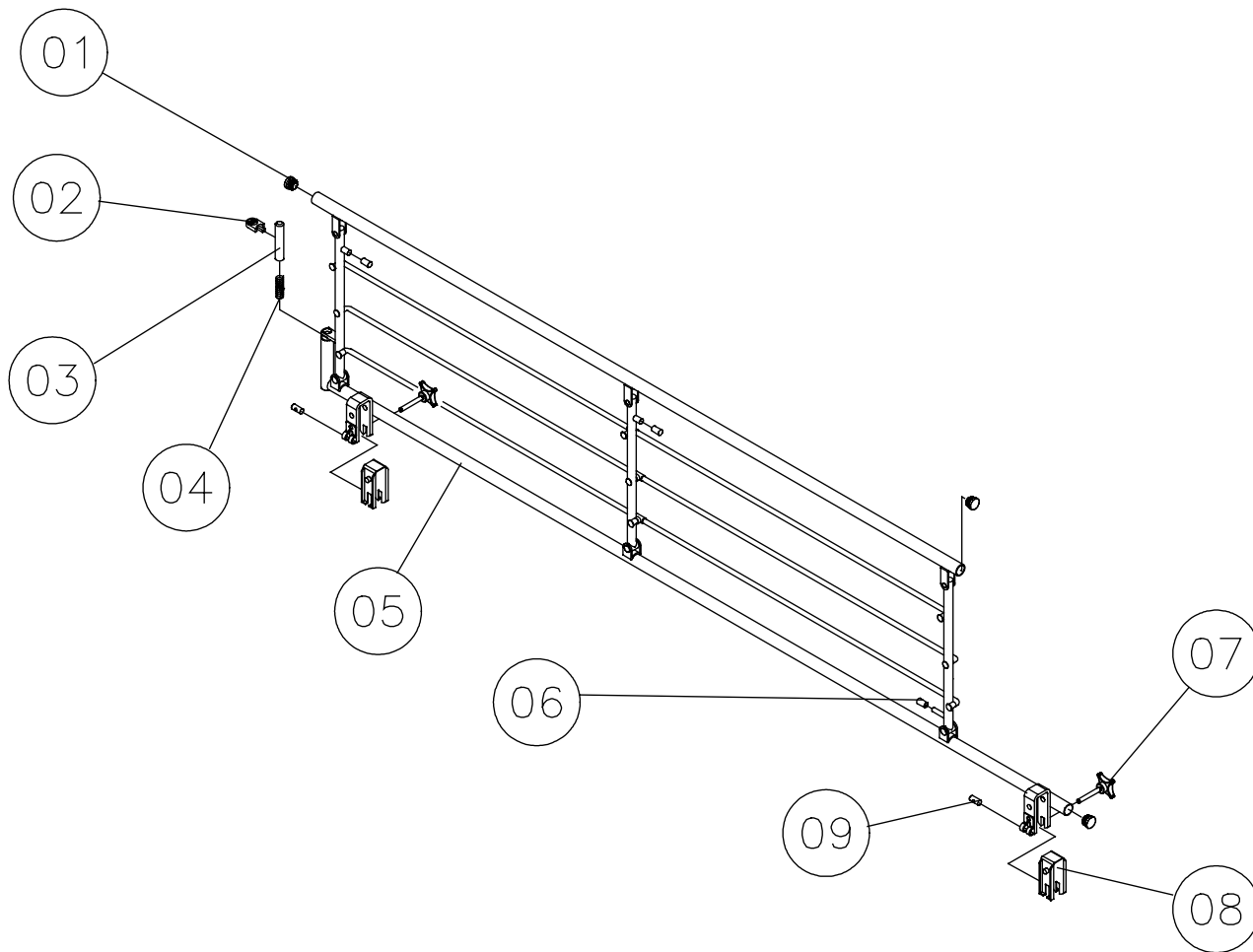
Page 2 of 2

Ident. no.:

Metal side rail – Model 5526 – for 200 cm mattress support: 50.55260.XX/L+R

Metal side rail – Model 5528 – for mattress support extension: 50.55280.XX/L+R

November 2000



**Metal side rail without vertical braces – Model 5525**

Page 1 of 2

Ident. no.:

Metal side rail without vertical braces – Model 5525 – for 200 cm mattress support: 50.55250.XX/L+R

November 2000

Pos.	Spare parts Ident. no.	Pcs.	Description
01		1	Upright bow
02		4	Hinged joint - male
03		6	Hinged joint – female
04		3	Tube
05		1	Upright with lock
06		1	Release lever
07	803849	1	Spiral clamp pin ø3x20
08	422150	1	Button for check pawl
09		1	Check pawl
10		1	Spring
11		1	Cover for Pop-rivet
12		1	Pop-rivet
13	421468	2	Cylinder nut
14		1	Stiffener with lock tube
15		2	Ferrules
16	421843	2	Plastic insert
17		2	Thumb screw M6x45
18		1	Ferrules
19		1	Rivet
20		1	Nylon washer
21		1	Bearing bush



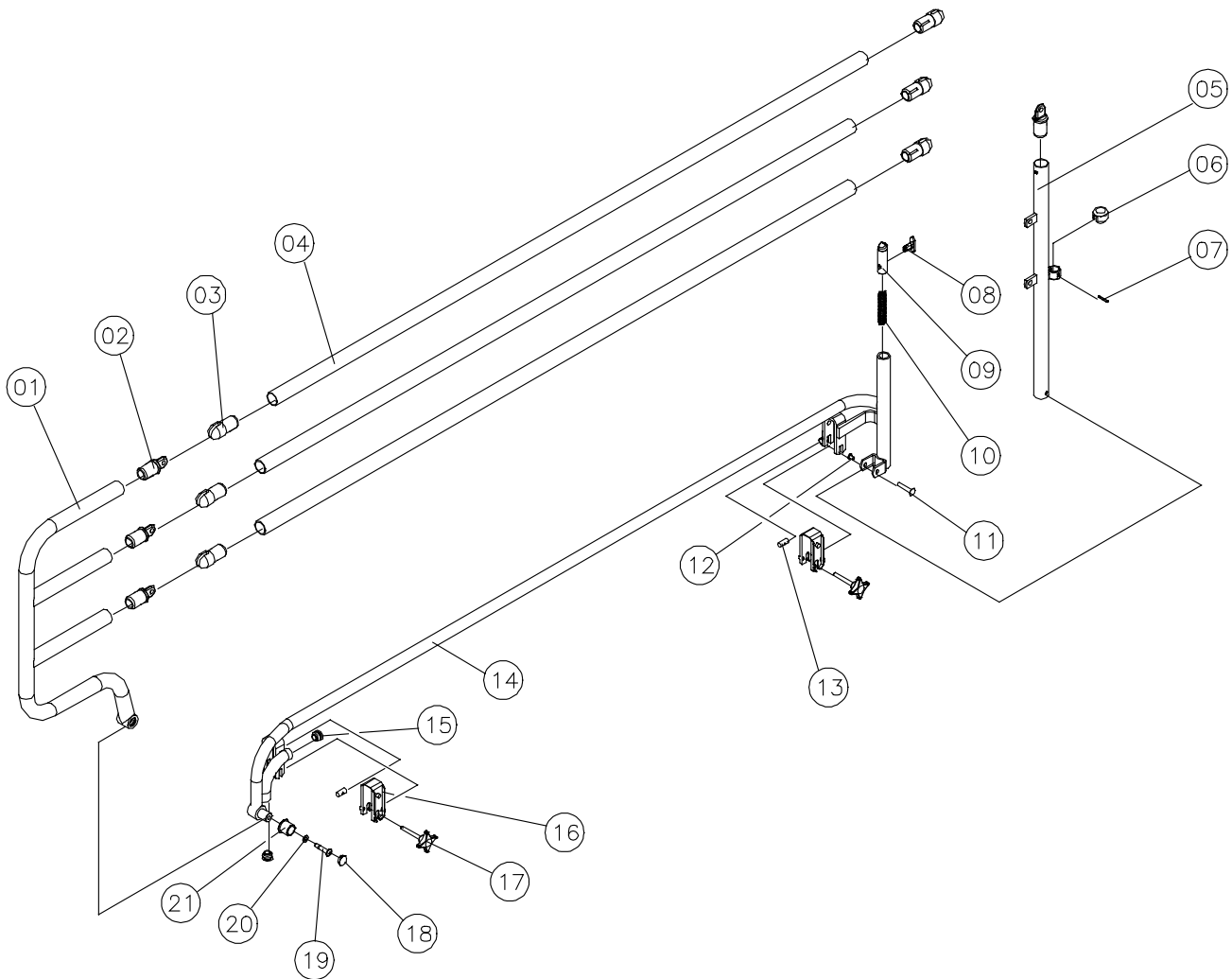
# Metal side rail without vertical braces – Model 5525

Page 2 of 2

Ident. no.:

Metal side rail without vertical braces – Model 5525 – for 200 cm mattress support: 50.55250.XX/L+R

November 2000



## Wooden side rail - BRITT III

Page 1 of 2

Ident. no.:

Wooden side rail BRITT III for 200 cm mattress support: 1415615.XX

Wooden side rail BRITT III for extensioned mattress support: 020774.XX

November 2000

Pos.	Exchange kit no.: 020023	Exchange kit no.: 020024	Pcs.	Description
01	X	X	8	Connecting bolt, female
02			2	Wooden side rail, upper
03	X	X	4	Chip board screw ø3x20
04		X	8	Rubber insertion for release lever
05		X	8	Release lever
06		X	4	Wire
07	X		4	Slide-walle
08	X		4	Pin
09		X	4	Check pawl, right
10			4	Beeche list
11			1	Wooden side rail, lower
12		X	4	Spring
13		X	4	Check pawl, left
14	X	X	8	Connecting bolt, male

# Wooden side rail - BRITT III

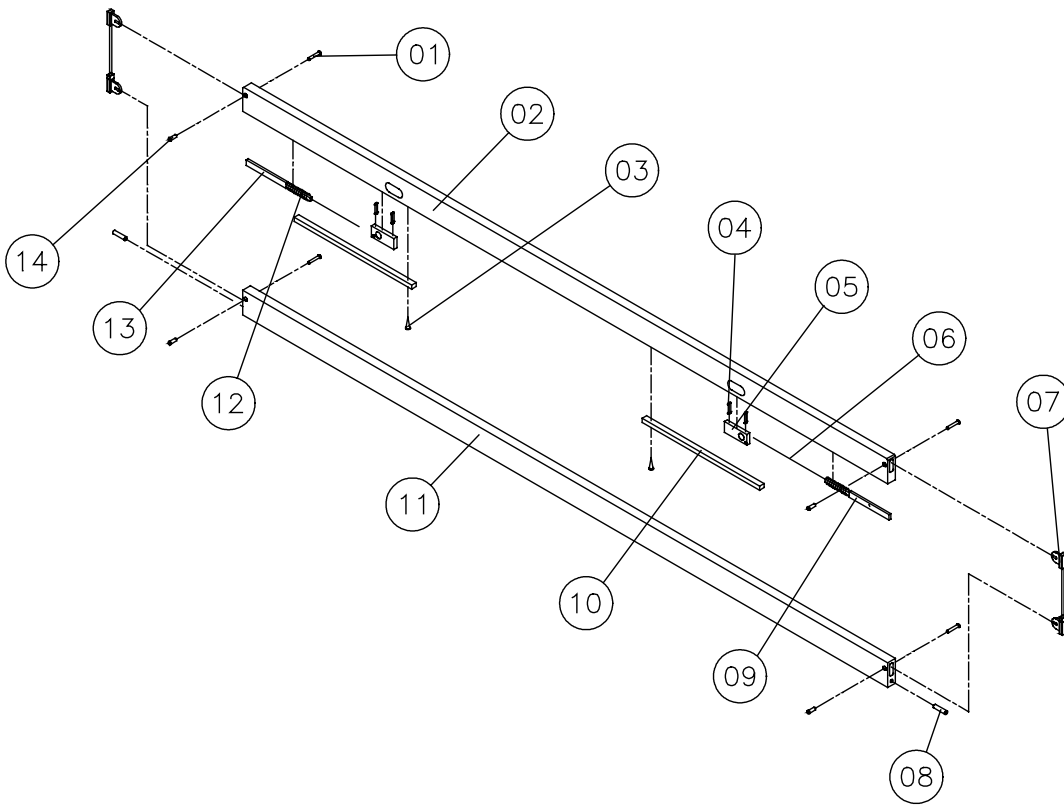
Page 2 of 2

Ident. no.:

Wooden side rail BRITT III for 200 cm mattress support: 1415615.XX

Wooden side rail BRITT III for extended mattress support: 020774.XX

November 2000



## Support

Page 1 of 2

Ident. no.:

Support – 40 x 50 cm: 021963.XX

Support – 25 x 30 cm: 021964.XX

November 2000

Pos.	Spare parts Ident. no.	Pcs.	Description
01		1	Support
02	821251	2	Thumb screw M6x45
03	421843	2	Plastic insert
04	421468	2	Cylinder nut

# Support

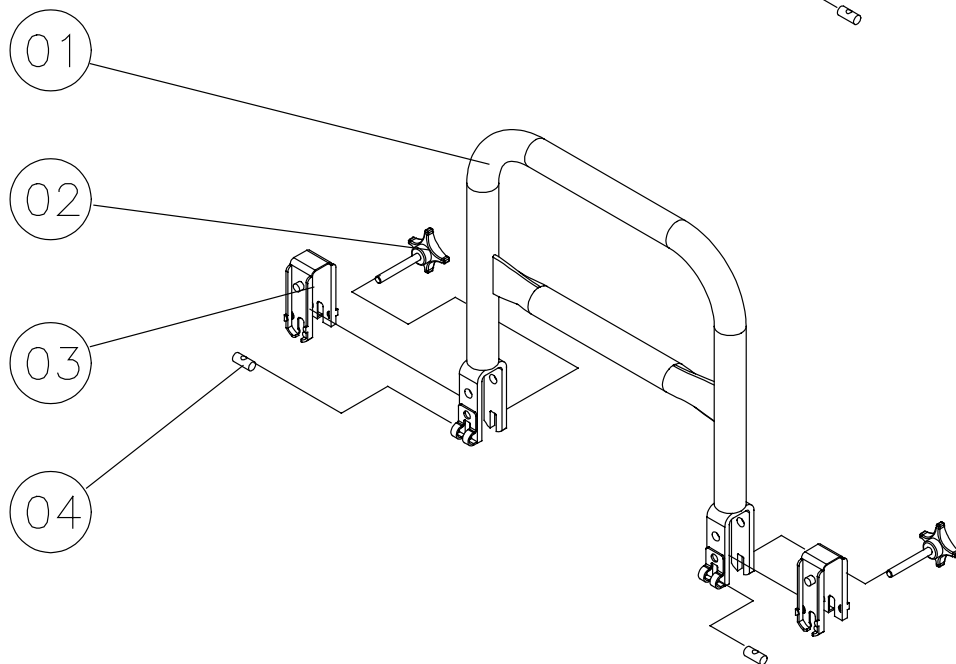
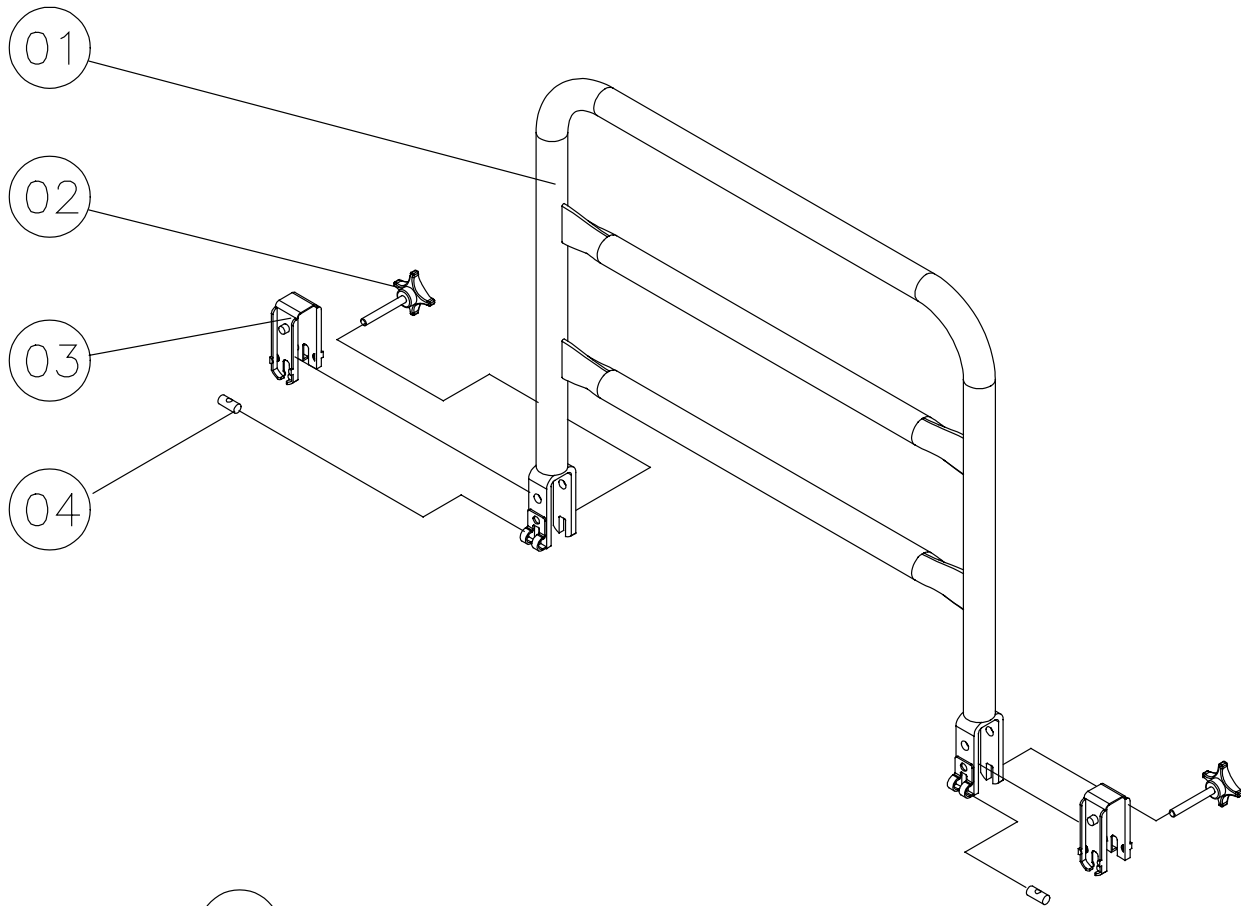
Page 2 of 2

Ident. no.:

Support – 40 x 50 cm: 021963.XX

Support – 25 x 30 cm: 021964.XX

November 2000



**Mattress support extension**

Page 1 of 2

Ident. no.:

Mattress support extension: 020493.XX

November 2000

Pos.	Pcs.	Description
01	1	Mattress support extension
02	2	Tube
03	2	Screw M8x12

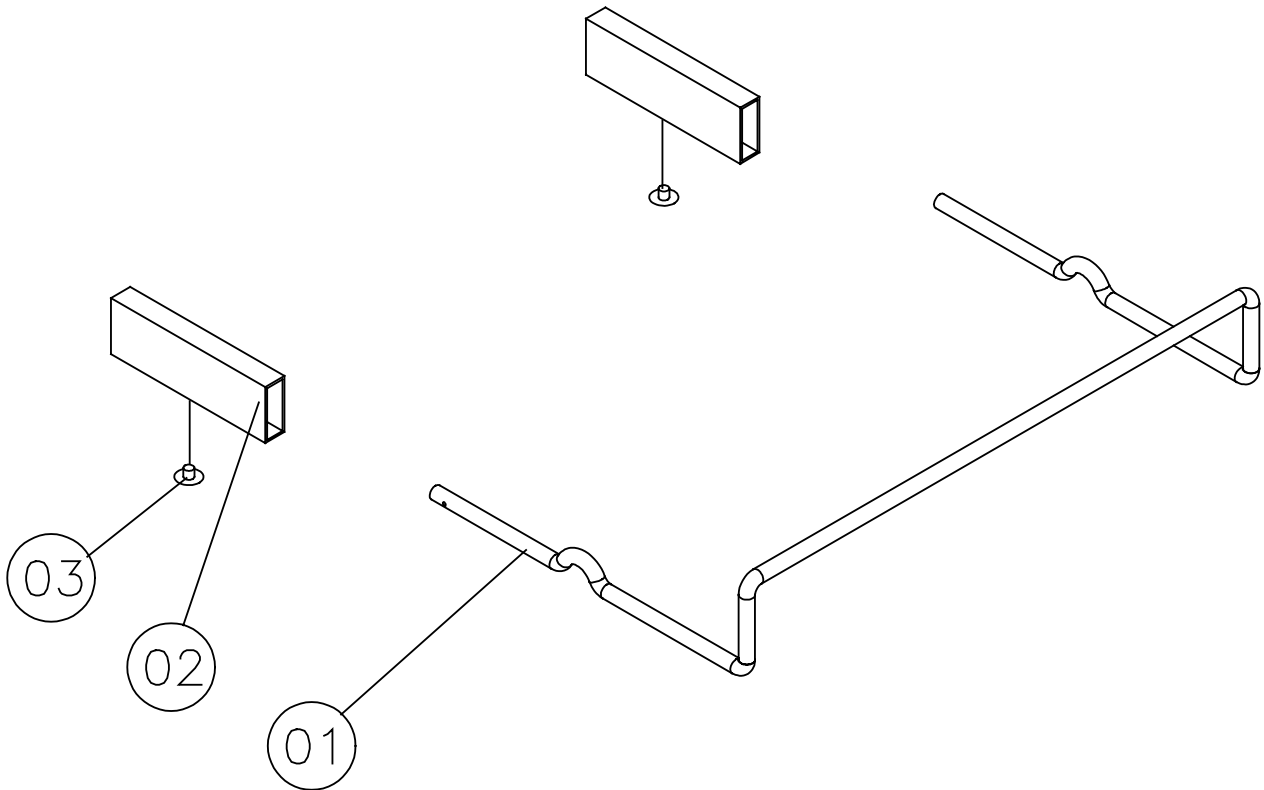
# Mattress support extension

Page 2 of 2

Ident. no.:

Mattress support extension: 020493.XX

November 2000



**Bumper wheel ø75 mm**

Page 1 of 2

Ident. no.:

Bumper wheel ø75 mm: 50.59600.00

November 2000

Pos.	Pcs.	Description
01	4	Bush
02	4	Bumper wheel
03	4	Screw



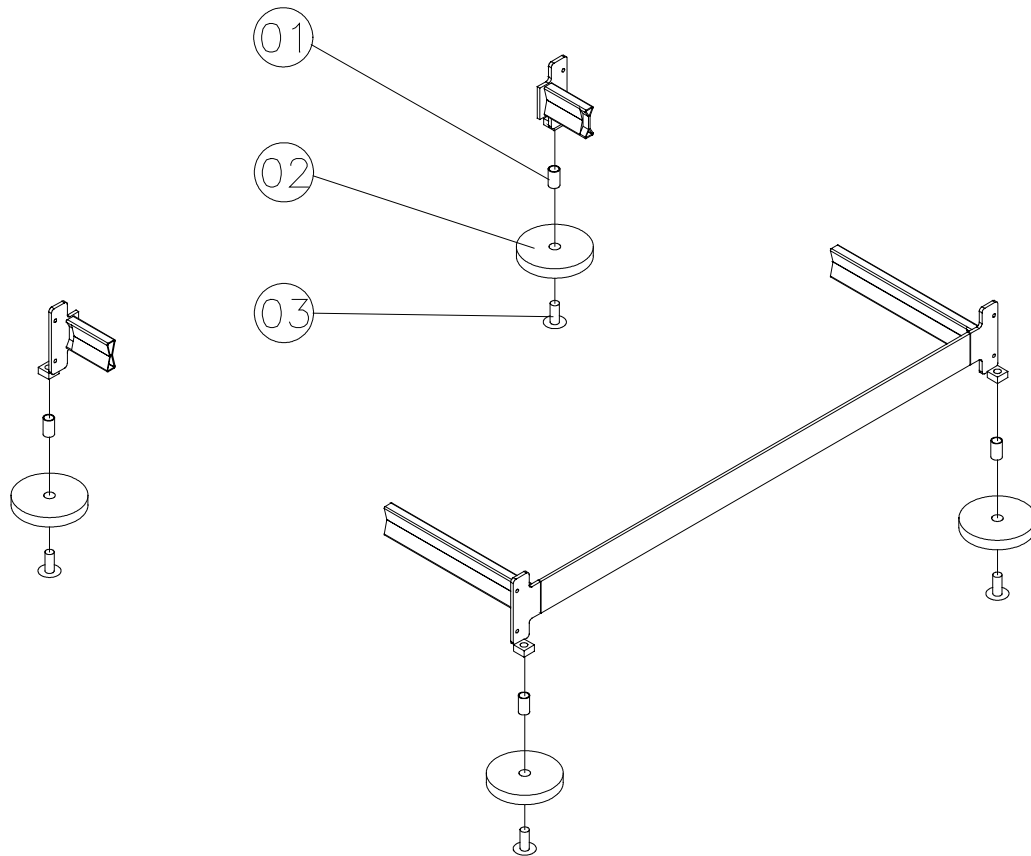
# Bumper wheel ø75 mm

Page 2 of 2

Ident. no.:

Bumper wheel ø75 mm: 50.59600.00

November 2000



**Lifting pole - Model 5760**

Page 1 of 2

Ident. no.:

Lifting pole - Model 5760: 50.57600.XX

November 2000

Pos.	Exchange kit no.:	Pcs.	Description
01	X	1	Thumb screw M6x16
02		1	Lifting pole, welded
03	X	1	Handle for lifting pole, complete
04	X	1	Plug for lifting pole

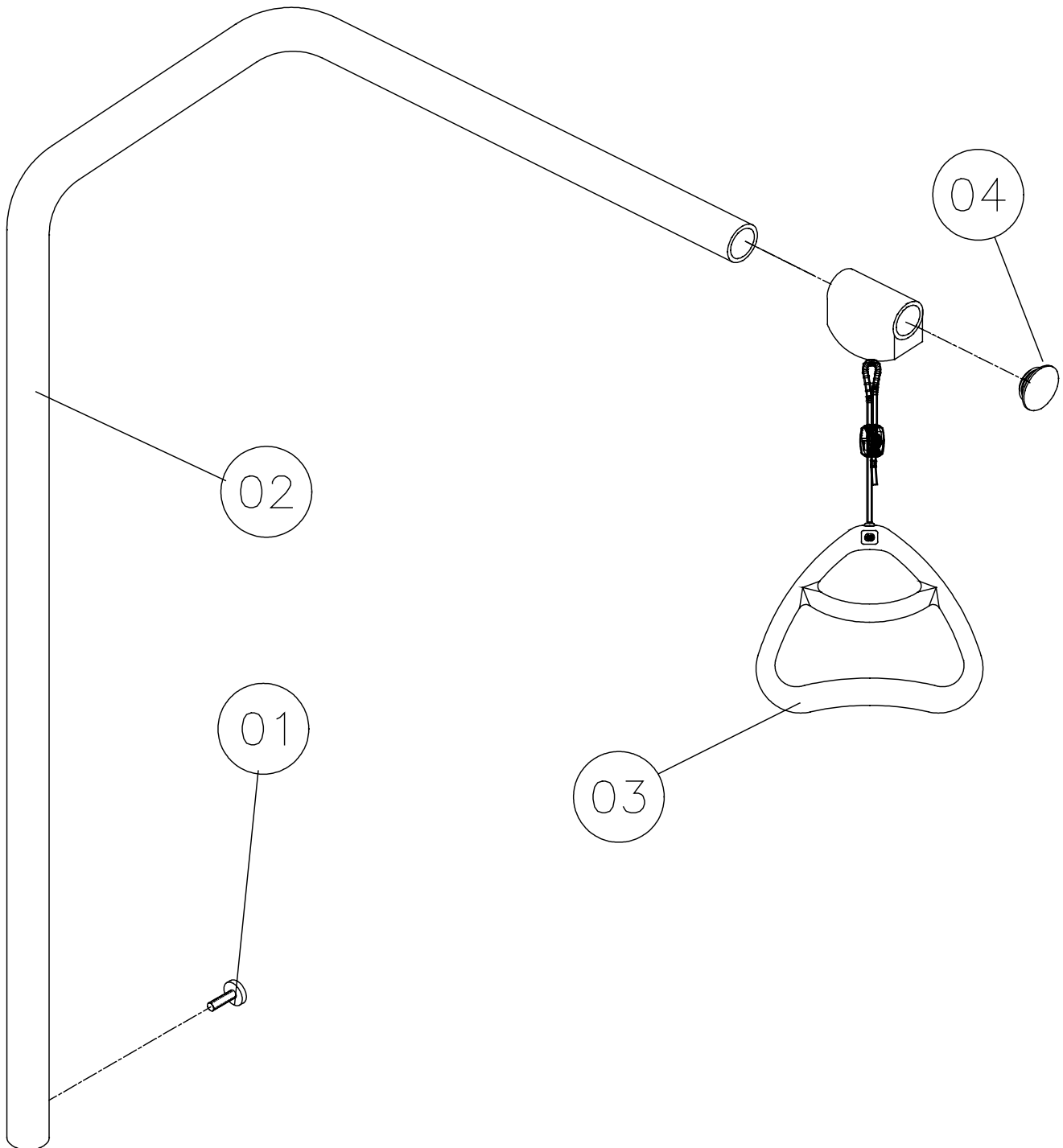
**Lifting pole - Model 5760**

Page 2 of 2

Ident. no.:

Lifting pole - Model 5760: 50.57600.XX

November 2000



## Accumulator back-up

Page 1 of 2

Ident. no.:

Accumulator back-up: 1415612-XXXX

November 2000

Pos.	Spare parts Ident. no.	Pcs.	Description
01		4	Screw M5x16
02		2	Suspension for accumulator back-up
03	1415606	1	Control
04	819411	2	Pipe pin
05	320593	1	Accumulatorbox incl. accumulators
06		4	Lock nut M5
07	321561	1	Motor – back rest

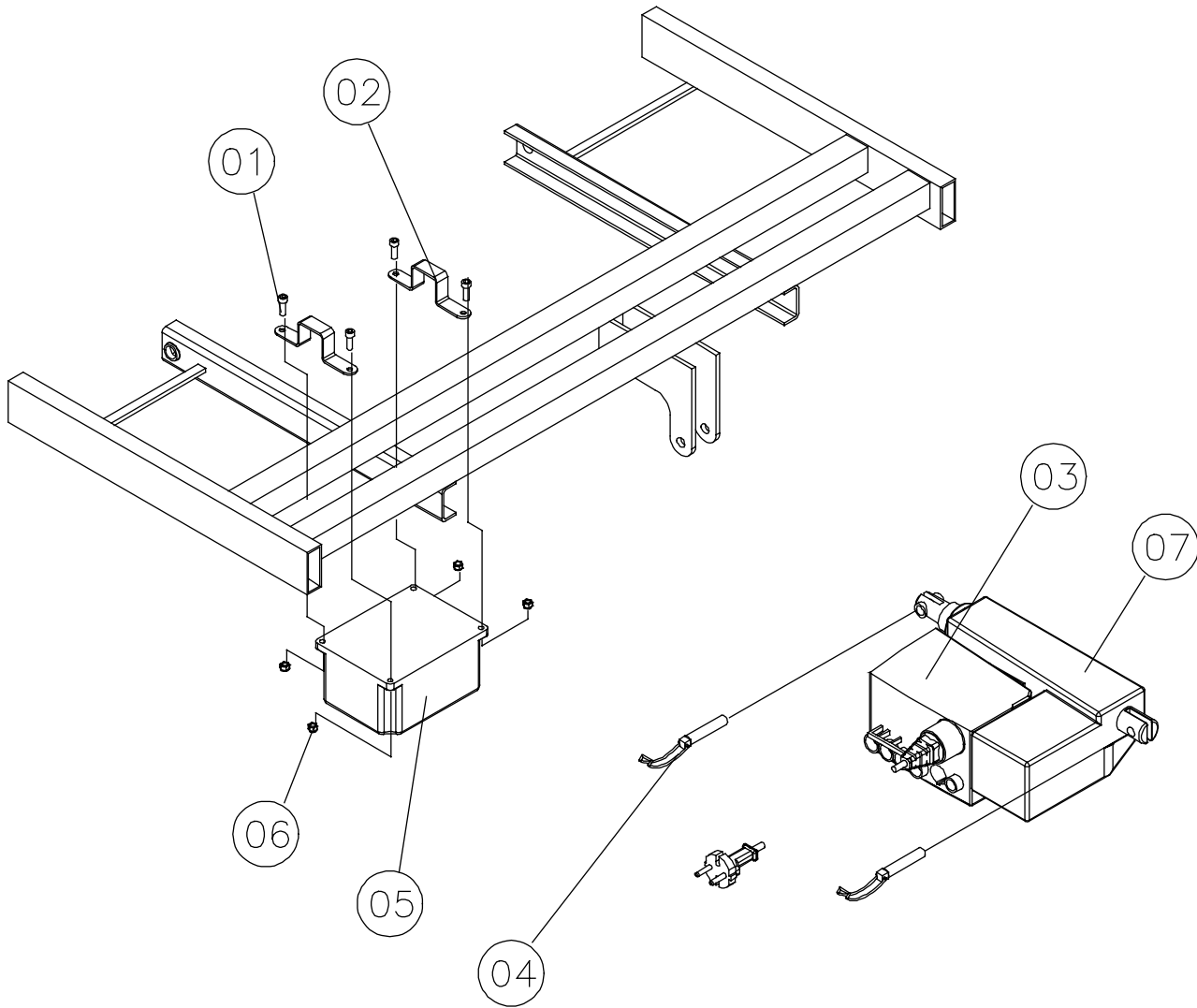
# Accumulator back-up

Page 2 of 2

Ident. no.:

Accumulator back-up:

November 2000



## Transportation rack for assembled bed

Page 1 of 2

Ident. no.:

Transportation rack: 021959.XX

November 2000

Pos.	Exchange kit no.: 021944	Exchange kit no.: 1415628	Pcs.	Description
01		X	2	Thumb screw M8x30
02			1	Upright
03		X	2	Ferrules
04			1	Slide ratchet
05			1	Support tube
06			1	Bottom frame
07	X		4	Nut M12
08			4	Ferrules
09	X		4	Screw M12x30
10	X		4	Springwasher
11	X		4	Wheel ø125 mm
12			2	Screw M8x16
13		X	1.5 m	Safety-walk – non-skid tape

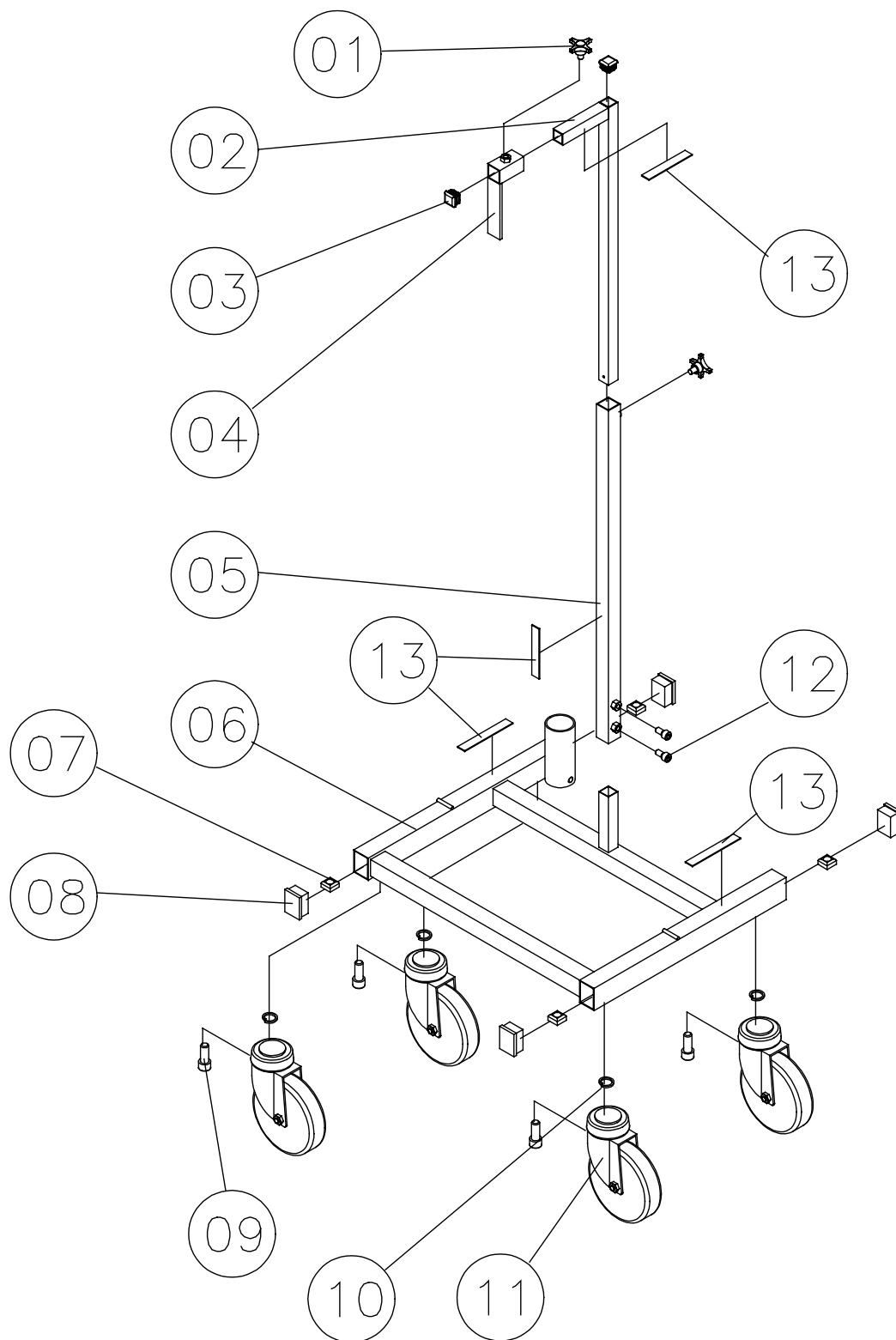
# Transportation rack for assembled bed

Page 2 of 2

Ident. no.:

Transportation rack: 021959.XX

November 2000



## Storage rack for disassembled bed

Page 1 of 2

Ident. no.:

Storage rack: 021960.XX

November 2000

Pos.	Spare parts Ident. no.:	Exchange kit no.:	Pcs.	Description
01	819452	021944	4	Ferrules
02		X	4	Nut M12
03			1	Storage rack
04		X	4	Springwasher
05		X	4	Braking castor ø125mm
06		X	4	Screw M12x30
07	6770197		2	Belt



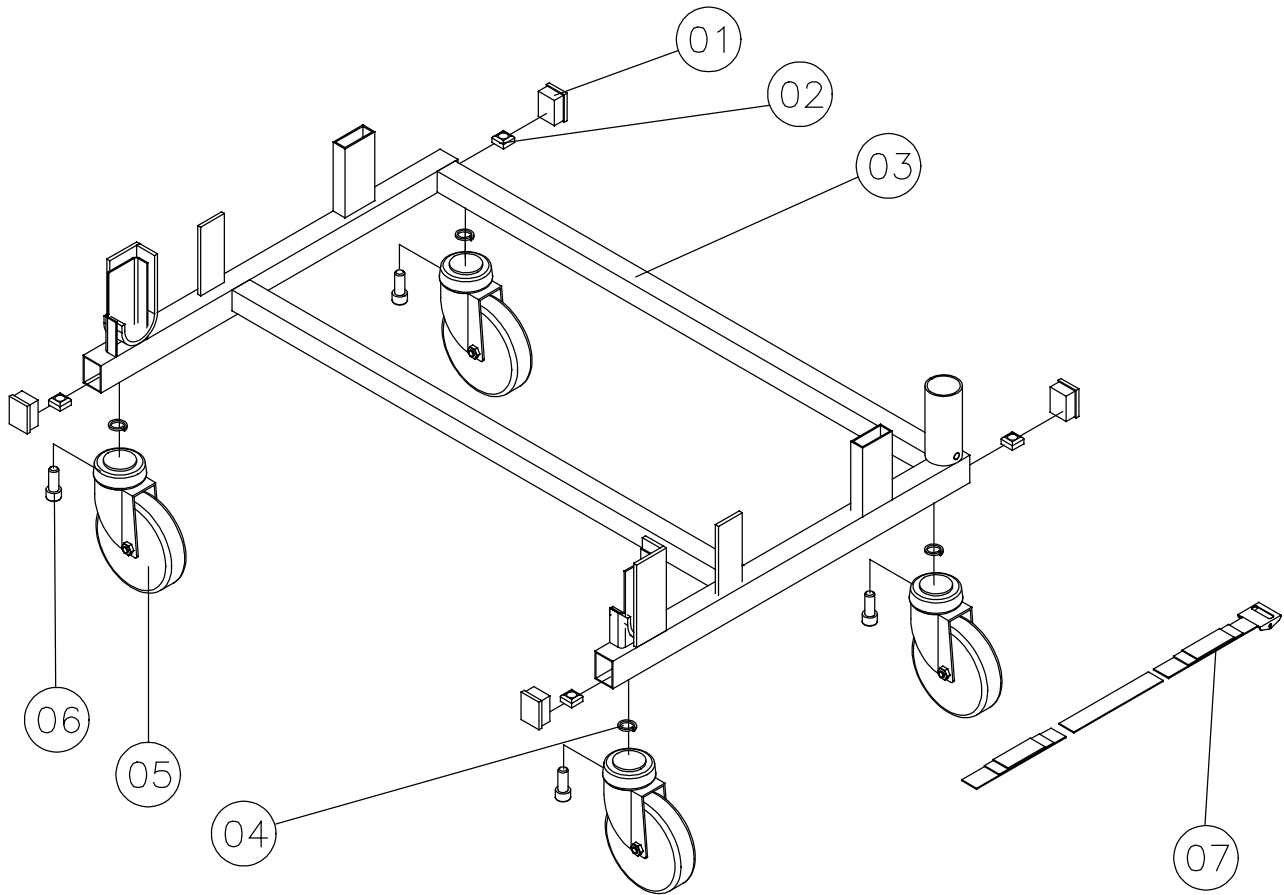
# Storage rack for disassembled bed

Page 2 of 2

Ident. no.:

Storage rack: 021960.XX

November 2000





## **Customer Sales and Service**

---

### **INVACARE A/S**

Sdr. Ringvej 39  
DK-2605 Brøndby  
Phone: +45 36 90 00 00  
Fax: +45 36 90 00 01

### **INVACARE N.V.**

Autobaan 14  
B-8210 Loppem, Brügge  
Phone: +32 50 83 10 10  
Fax: +32 50 83 10 11

### **INVACARE Poirier S.A.**

Les Roches  
F-37230 Fondettes  
Phone: +33 2 47 62 64 66  
Fax: +33 2 47 42 12 24

### **INVACARE AB**

Fagerstagatan 9 / Box 66  
S-163 91 Spånga  
Phone: +46 8 761 70 90  
Fax: +46 8 761 81 08

### **INVACARE B.V.**

Celsiusstraat 46  
NL-6716 BZ Ede  
Phone: +31 318 69 5 757  
Fax: +31 318 69 5 758

### **INVACARE S.R.L.**

Via dei Pini 62  
I-36016 Thiene (VI)  
Phone: +39 0445 380059  
Fax: +39 0445 380034

### **INVACARE AS**

Grensesvingen 9  
P.O. Box 6230 / Etterstad  
N-0603 Oslo  
Phone: +47 22 57 95 00  
Fax: +47 22 57 95 01

### **INVACARE Deutschland GmbH**

Dehmer Strasse 66  
D-32549 Bad Oeynhausen  
Phone: +49 57 31 754 0  
Fax: +49 57 31 754 150

### **INVACARE LTD**

South Road  
Bridgend Industrial Estate  
UK-Bridgend, CF31 3PY  
Phone: +44 1 656 664 321  
Fax: +44 1 656 667 532

Manufacturer:

### **INVACARE EC-Høng A/S**

Østergade 3  
DK-4270 Høng  
Phone: +45 58 85 27 22  
Fax: +45 58 85 43 86  
[www.invacare.com](http://www.invacare.com)

