



Yes, you can.[®]

Invacare[®] ScanBed 400TM

Spare Part List



CE

Information about using this list

Order of wearing parts/exchange kit:

In the table of contents on page 2 you can see where in the list you can find the required part/kit.

Wearing parts are sold in exchange kits with an order number for the entire kit.

The part number is as shown below marked with grey background:

Storage rack for disassembled bed					Page 1 of 2
Ident. no.:					
Storage rack: 021960.XX					
Pos.	Spare parts Ident. no.:	Exchange kit no:	Pcs.	Description	
		021944			
01	819452		4	Ferrules	
02		X	4	Nut M12	

Order of spare parts:

In the table of contents on page 2 you can see where in the list you can find the wanted part.

Spare parts are sold individually.

The part number is as shown below marked with grey background:

Storage rack for disassembled bed					Page 1 of 2
Ident. no.:					
Storage rack: 021960.XX					
Pos.	Spare parts Ident. no.:	Exchange kit no:	Pcs.	Description	
	819452				
01			4	Ferrules	
02		X	4	Nut M12	

Order of a complete unit:

In the table of contents on page 2 you can see where in the list you can find the wanted unit of the bed.

The part number is as shown below marked with grey background:

Storage rack for disassembled bed					Page 1 of 2
Ident. no.:					
Storage rack: 021960.XX					
Pos.	Spare parts Ident. no.:	Exchange kit no:	Pcs.	Description	
01	819452		4	Ferrules	
02		X	4	Nut M12	

Painted parts and wooden parts:

If a part number is followed by ".XX", you have to fill in the colour code and/or the code for the type of wood of your bed, because the order number contains one of or both of these elements.

Table of contents

3-sectioned mattress support.	4
3-sectioned mattress support	5
4-sectioned mattress support with thigh section/leg support.	6
4-sectioned mattress support with thigh section/leg support.	7
4-sectioned mattress support with thigh section/leg support –	8
with back rest return	8
4-sectioned mattress support with thigh section/leg support – with back rest return	9
Base with Ø75/Ø125 mm braking castor	10
Base with Ø75/Ø125 mm braking castor	11
Base with Ø125 mm central braking castor –	
with and without direction control	12
Base with Ø125 mm central braking castor – with and without direction control	13
Base SWL 250 kg with Ø125 mm central braking castor	14
Base SWL 250 kg with Ø125 mm central braking castor	15
Bedend bow with plate incl. fittings with U-profiles.	16
Bedend bow with plate incl. fittings with U-profiles	17
ODA bedends incl. fittings with U-profiles	18
ODA bedends incl. fittings with U-profiles	19
PIGGY bedends incl. fittings with U-profiles	20
PIGGY bedends incl. fittings with U-profiles	21
FLEX III wooden bedends incl. fittings	22
FLEX III wooden bedends incl. fittings	23
SANNE III wooden bedends incl. fittings	24
SANNE III wooden bedends incl. fittings	25
SANNE III wooden bedends – without alum-slides - incl. fittings.	26
SANNE III wooden bedends – without alum-slides - incl. fittings.	27
Metal side rail – Model 5519 – 5539	28
Metal side rail – Model 5519 – 5539	29
Metal side rail – Model 5526 – 5528	30
Metal side rail – Model 5526 – 5528	31
Metal side rail without vertical braces – Model 5525	32
Metal side rail without vertical braces – Model 5525	33
Wooden side rail – BRITT III	34
Wooden side rail – BRITT III	35
Support.	36
Support □	37
Mattress support extension	38
Mattress support extension □	39
Bumper wheel Ø75 mm	40
Bumper wheel Ø75 mm . . . □	41
Lifting pole – model 5760	42
Lifting pole – model 5760 . . □	43
Accumulator back-up	44
Accumulator back-up □	45
Transportation rack for assembled bed	46
Transportation rack for assembled bed	47

Storage rack for disassembled bed	48
Storage rack for disassembled bed.	49

3-sectioned mattress support

Ident. no.:

3-sectioned mattress support with motor on back rest: 400.120.XX

January 2006

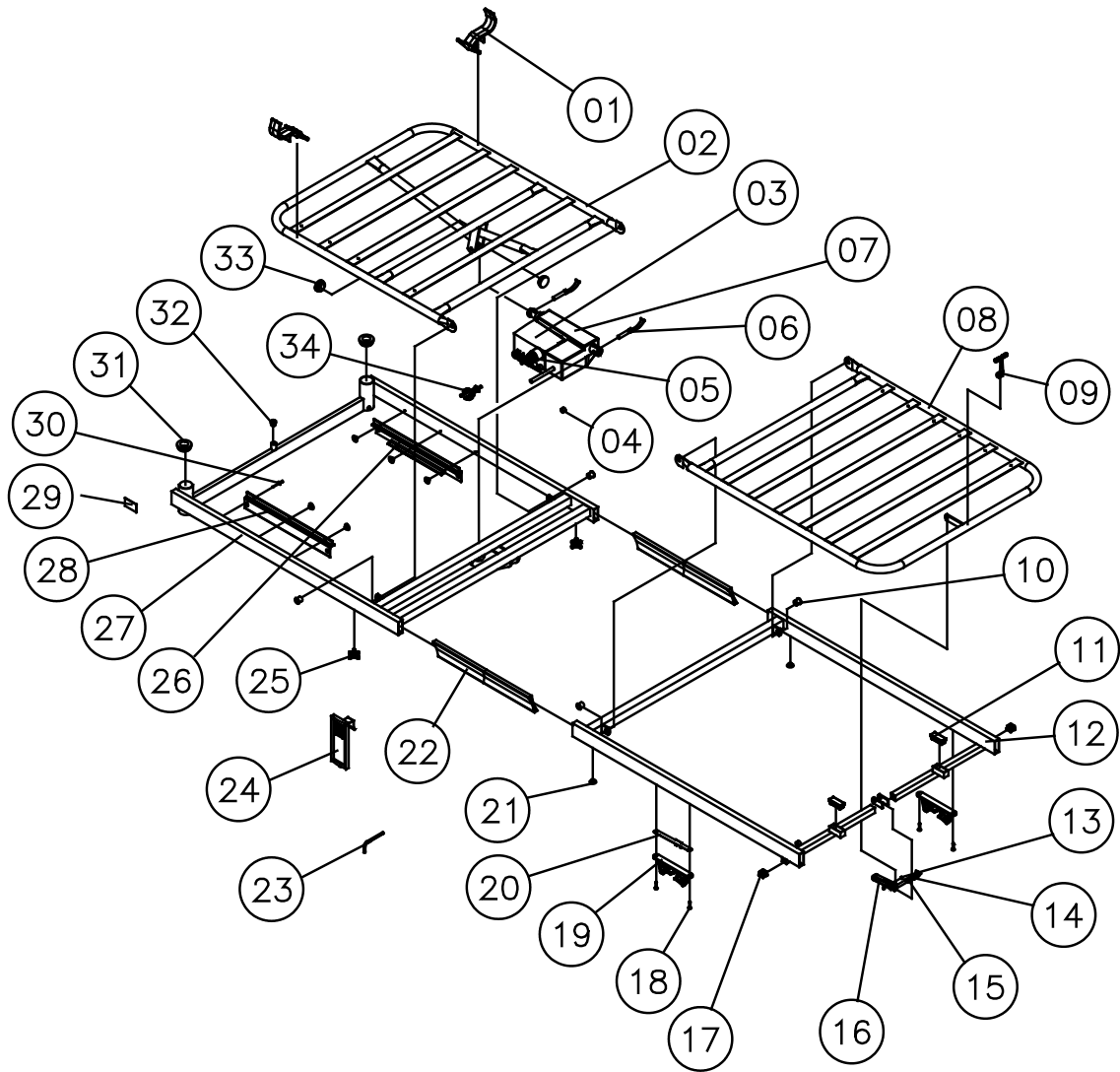
Pos.	Spare parts Ident. no.:	Exchange kit no: 1415615 Motor-set	Exchange kit no: 1415616- XXXX Lock fittings/ guideways	Exchange kit no: 1415617 Diverse mounting parts	Exchange kit no: 1415618 Plastic plugs	Pcs.	Description
01	215989					2	Handle for mattress - plastic
02						1	Back rest
03	321562	X				1	Control CB 09
	1446429					1	Control unit CB 09, V0 plastic
	819430	X				1	Cable for UK, Sign for UK control
	813212	X				1	
04	821240	X				1	Wire mark "I"
05	818360	X				1	Lock cam for control unit
06	819411	X		X		2	Pipe pin
07	321561	X				1	Motor – back rest
	1450545					1	Motor – back rest, V0 plastic
08						1	Leg support
09				X		1	Plastic cap
10						4	Tubular rivet
11					X	2	Ferrules
12						1	Top frame – foot
13				X		1	Distance piece
14				X	1417416	1	Pipe pin Ø6x32
15				X	1417415	1	Pipe pin Ø8x40
16	817205			X		1	Raise fitting
17					X	2	Ferrules
18			X	X		9	Screw, self boring Ø5.5x19
19			X			2	Lock fittings incl. lock system
20			X	X		1	Equalizing plate
21				X		2	Screw M8x12
22	321520.60					2	Insertion
23				X		1	Allen key
24	319157	X				1	Hand control box, HB70
	1434051						Hand control box, Soft Control
25				X		2	Thumb screw
26			X			1	Guideway – left
27						1	Top frame – head
28			X			1	Guideway – right
29						2	Sign for placement of metal side rail
30			X			1	Potential equalizing socket
31					X	2	Ferrules
32					X	1	Ferrules
33					X	2	Ferrules
34	821283	X				1	Main cable

3-sectioned mattress support

Ident. no.:

3-sectioned mattress support with motor on back rest: 400.120.XX

January 2006



4-sectioned mattress support with thigh section/leg support

Ident. no.:

4-sectioned mattress support with motor on back rest and thigh section/leg support: 400.132.XX

January 2006

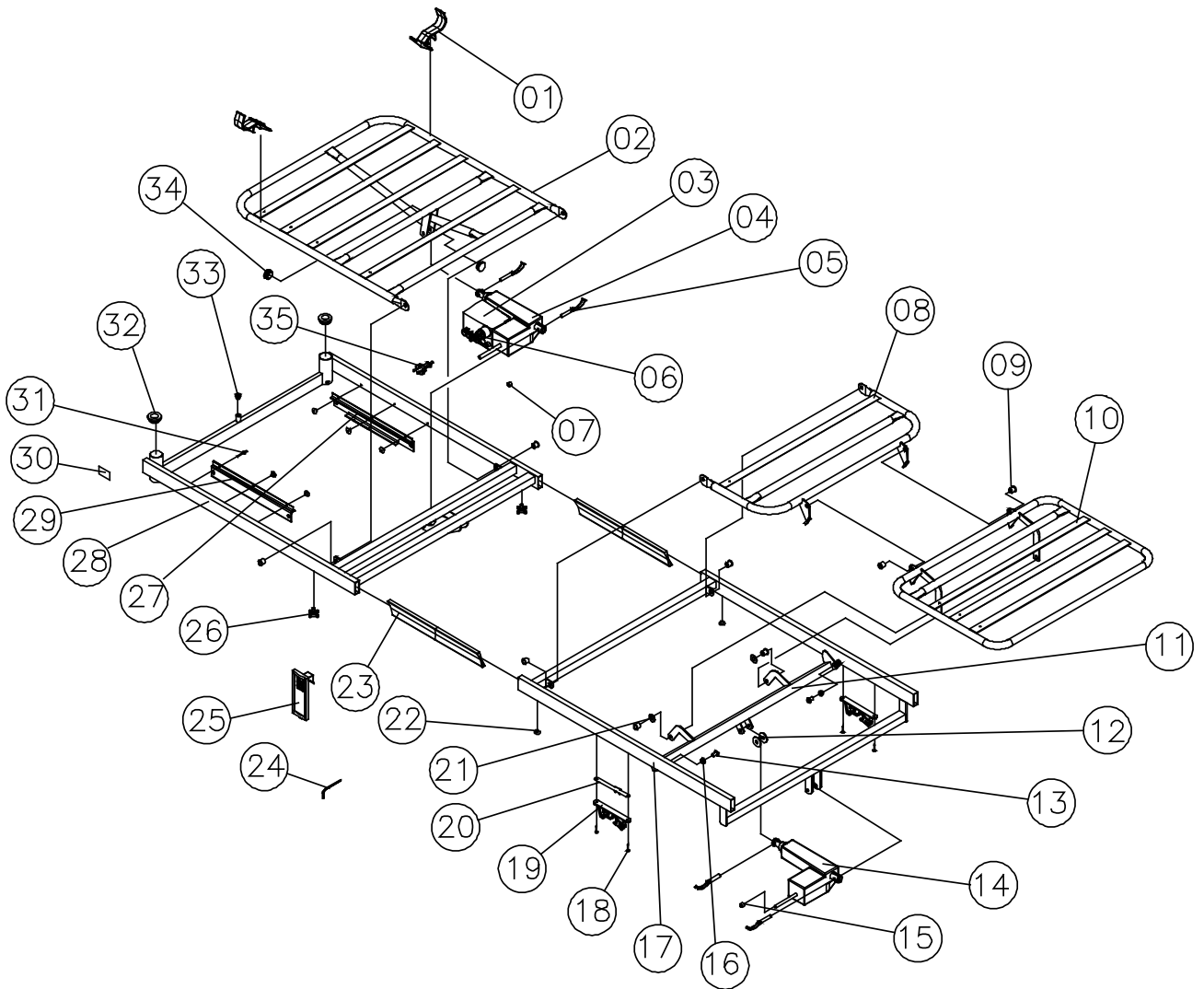
Pos.	Spare parts Ident. no.:	Exchange kit no.: 1415619 Motor-set- Back rest	Exchange kit no.: 021937 Motor-set- Thigh-/leg support	Exchange kit no.: 1415620 Lock fittings/ guideways	Exchange kit no.: 1415621 Plastic plugs	Pcs.	Description
01	215989					2	Handle for mattress – plastic
02						1	Back rest
03	321562	X				1	Control CB 09
	1446429					1	Control unit CB 09, V0 plastic
	819430	X				1	Cable for UK, Sign for UK control
	813212	X				1	
04	321561	X				1	Motor – back rest
	1450545					1	Motor – back rest, V0 plastic
05	819411	X	X			4	Pipe pin
06	818360	X				1	Lock cam for control
07	821240	X				1	Wire mark "1"
08						1	Thigh section
09						6	Tubular rivet
10						1	Leg support
11						1	Lifter – thigh section/leg support
12			X			2	Plastic washer
13						2	Screw M10x16
14	321557		X			1	Motor – thigh section/leg support
	1450544					1	Motor – thigh/leg section, V0 plastic
15	821242		X			1	Wire mark "3"
16						2	Bearing bush
17						1	Top frame foot
18				X		9	Screw self boring Ø5.5x19
19				X		2	Lock fittings incl. lock system
20				X		1	Equalizing plate
21						2	Washer
22				X		2	Screw M8x12
23	321520.60					2	Insertion
24				X		1	Allen key
25	319157	X				1	Hand control box, HB70
	1423986					1	Hand control box, Soft Control
26				X		2	Thumb screw
27				X		1	Guideway - left
28						1	Top frame - head
29				X		1	Guideway - right
30						2	Sign for placement of metal side rail
31				X		1	Potentiale equalizing socket
32					X	2	Ferrules
33					X	1	Ferrules
34					X	2	Ferrules
35	821283	X				1	Main cable

4-sectioned mattress support with thigh section/leg support

Ident. no.:

4-sectioned mattress support with motor on back rest and thigh section/leg support: 400.132.XX

January 2006



4-sectioned mattress support with thigh section/leg support – with back rest return

Ident. no.:

4-sectioned mattress support with motor on back rest and thigh section/leg support – with back rest return: 400.136.XX

January 2006

Pos.	Spare parts Ident. no.:	Exchange kit no.: 1415619 Motor-set- Back rest	Exchange kit no.: 021937 Motor-set- Thigh-/leg support	Exchange kit no.: 1415620 Lock fittings/ guideways	Exchange kit no.: 1415622 Plastic plugs	Pcs.	Description
01	215989					2	Handle for mattress - plastic
02						1	Back rest
03						2	Slide shoe
04						2	Lug
05						2	Starlock button
06						2	Plasticrulle
07						1	Lifter – back rest
08						2	Bearing bush
09						2	Fixing tube
10	818360	X				1	Lock cam for control
11	821240	X				1	Wire mark "1"
12	321561	X				1	Motor - back rest
	1450545					1	Motor - back rest, V0 plastic
13	819411	X	X			4	Pipe pin
14	321562	X				1	Control CB 09
	1446429					1	Control unit CB 09, V0 plastic
	819430	X				1	Cable for UK,
	813212	X				1	Sign for UK control
15						1	Thigh section
16						8	Tubular rivet
17						1	Leg support
18						1	Lifter – thigh section/leg support
19						2	Bearing bush
20						2	Screw M10x16
21			X			2	Plastic washer
22	321557		X			1	Motor – thigh section/leg support
	1450544					1	Motor – thigh/leg section, V0 plastic
23	821242		X			1	Wire mark "3"
24						1	Top frame foot
25				X		9	Screw self boring Ø5.5x19
26				X		2	Lock fittings incl. lock system
27				X		1	Equalizing plate
28						2	Washer
29				X		2	Screw M8x12
30	321520.60					2	Insertion
31				X		1	Allen key
32	319157	X				1	Hand control box
	1423986					1	Hand control box, Soft Control
33				X		2	Thumb screw
34				X		1	Guideway - left
35						1	Top frame - head
36				X		1	Guideway - right
37						2	Sign for placement of metal side rail

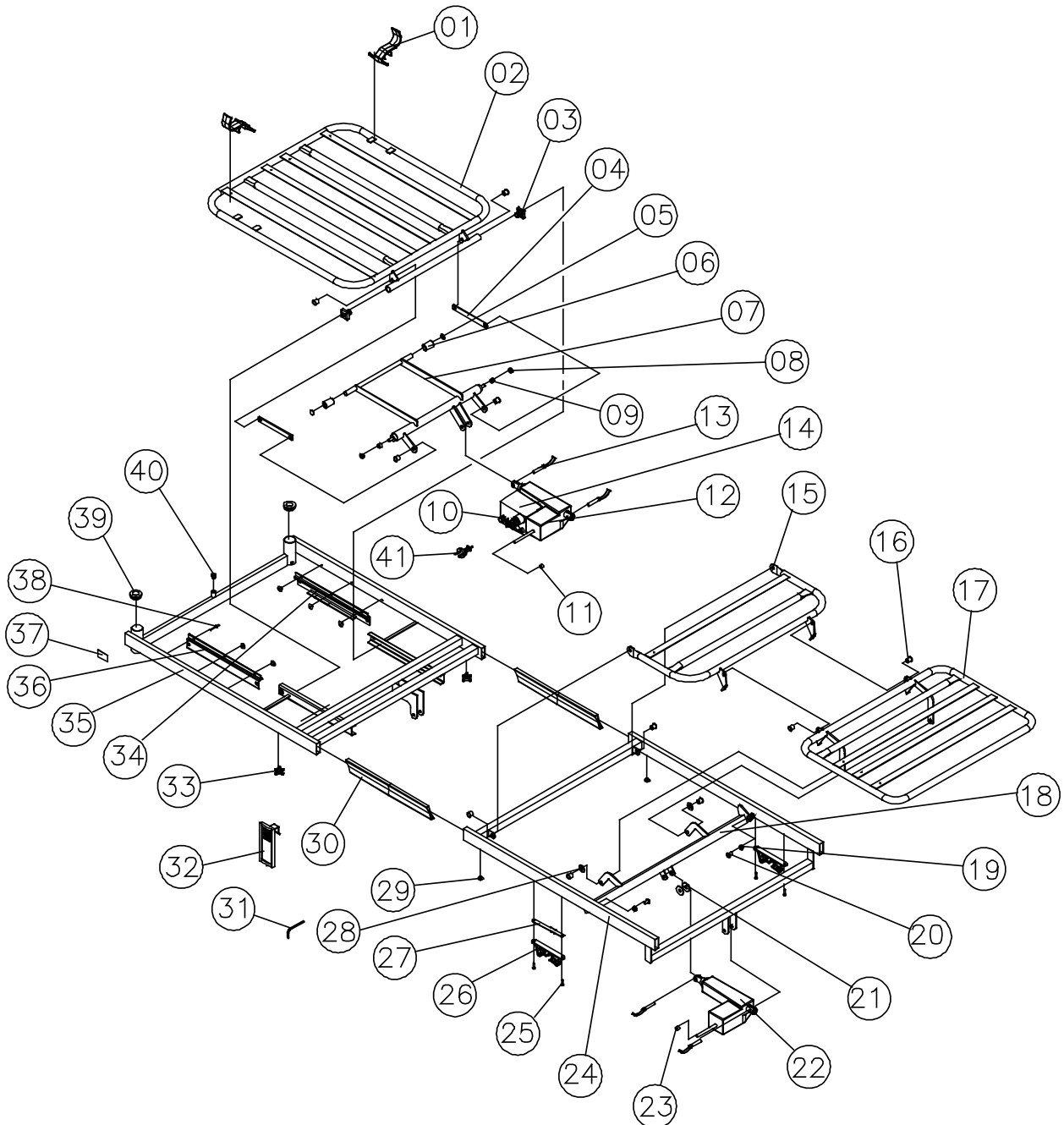
4-sectioned mattress support with thigh section/leg support – with back rest return

Ident. no.:

4-sectioned mattress support with motor on back rest and thigh section/leg support – with back rest return: 400.136.XX

January 2006

38				X		1	Potential equalizing socket
39					X	2	Ferrules
40					X	1	Ferrules
41	821283	X				1	Main cable



Base with Ø75/Ø125 mm braking castor

Ident. no.:

Base with Ø75 mm braking castor: 400.462.XX

Base with Ø125 mm braking castor: 400.461.XX

January 2006

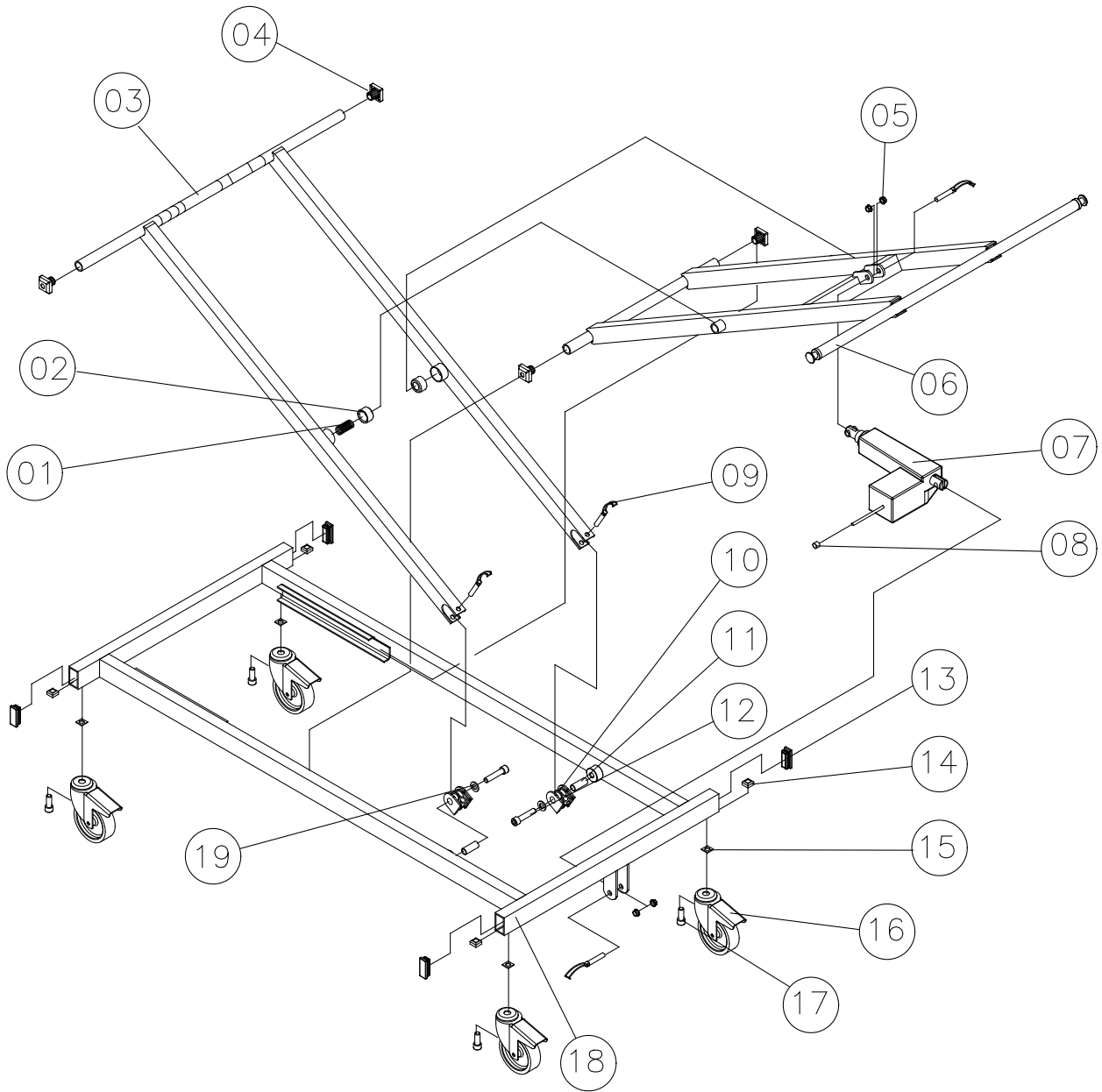
Pos.	Spare parts Ident. no.:	Exchange kit no.: 1415623 Diverse mounting parts	Exchange kit no.: 021939 (Motor-set) 1446427 (motor kit, V0 plastic)	Exchange kit no.: 021958 Ø75 mm braking castor	Exchange kit no.: 021944 Ø125 mm braking castor	Pcs.	Description
01		X				1	Spring
02		X				2	Bearing shell
03						1	Outer shear arm
04		X				4	Slide shoe
05		X				4	Bearing bush
06						1	Inner shear arm
07			X			1	Motor
08			X			1	Wire mark "2"
09	819411		X			4	Pipe pin Ø10x50
10		X				2	Turning bush
11		X				2	Tube
12		X				2	Screw M12x55
13		X				4	Ferrules
14				X	X	4	Nut
15				X	X	4	Spring washer
16				X	X	4	Braking castor
17				X	X	4	Screw
18						1	Base
19		X				2	Washer M12

Ident. no.:

Base with Ø75 mm braking castor: 400.462.XX

Base with Ø125 mm braking castor: 400.461.XX

January 2006



Base with Ø125 mm central braking castor – with and without direction control Page 1 of 2

Ident. no.:

Base with Ø125 mm centralbraking castor: 400.465.XX

Base with Ø125 mm centralbraking castor with direction control: 400.466.XX

January 2006

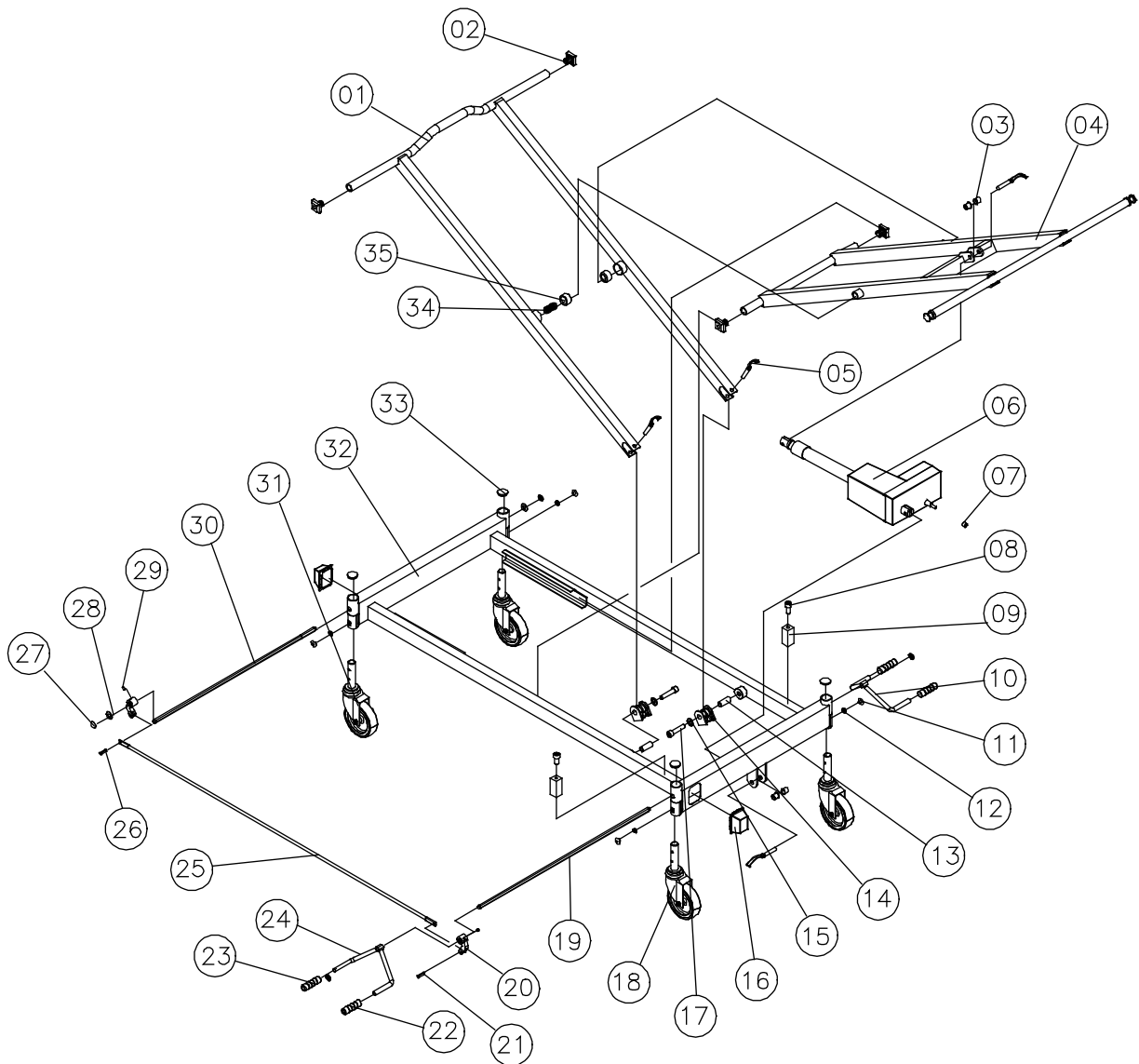
Pos.	Spare parts Ident. no.:	Exchange kit no.: 1415624 Diverse mounting parts	Exchange kit no.: 021939 (Motor-set) 1446427 (motor kit, V0 plastic)	Pcs.	Description
01				1	Outer shear arm
02		X		4	Slide shoe
03		X		4	Bearing bush
04				1	Inner shear arm
05			X	4	Pipe pin
06			X	1	Motor
07			X	1	Wire mark "2"
08				2	Self boring screw Ø4.2x25
09				2	Stop
10	1435280			1	Left braking pedal
11				4	Screw M8x12
12				6	Nylon washer
13		X		2	Bush
14		X		2	Plastic bush
15		X		2	Washer
16		X		2	Cover for central braking castor
17		X		2	Screw M12x55
18	821202			0 / 1	Ø125 mm central braking castor with direction control
19				1	Axle
20				2	Retainer
21				0 / 1	Spiral clamp pin Ø5x36
22				2	Pedal rubber - red
23		X		2	Pedal rubber - green
24	1435279	X		1	Right braking pedal
25				1	Central braking rod
26				2	Spiral clamp pin Ø5x14
27				4	Starlock button
28				4	Washer M8
29				2	Centerscrew M6x8
30		X		1	Axle
31				3 / 4	Ø125 mm centralbraking castor
32				1	Base
33		X		4	Ferrules
34		X		1	Spring
35		X		2	Bearing shell

Ident. no.:

Base with Ø125 mm centralbraking castor: 400.465.XX

Base with Ø125 mm centralbraking castor with direction control: 400.466.XX

January 2006



Base SWL 250 kg with Ø125 mm central braking castor

Ident. no.:

Base SWL 250 kg with Ø125 mm central braking castor: 400.470.XX

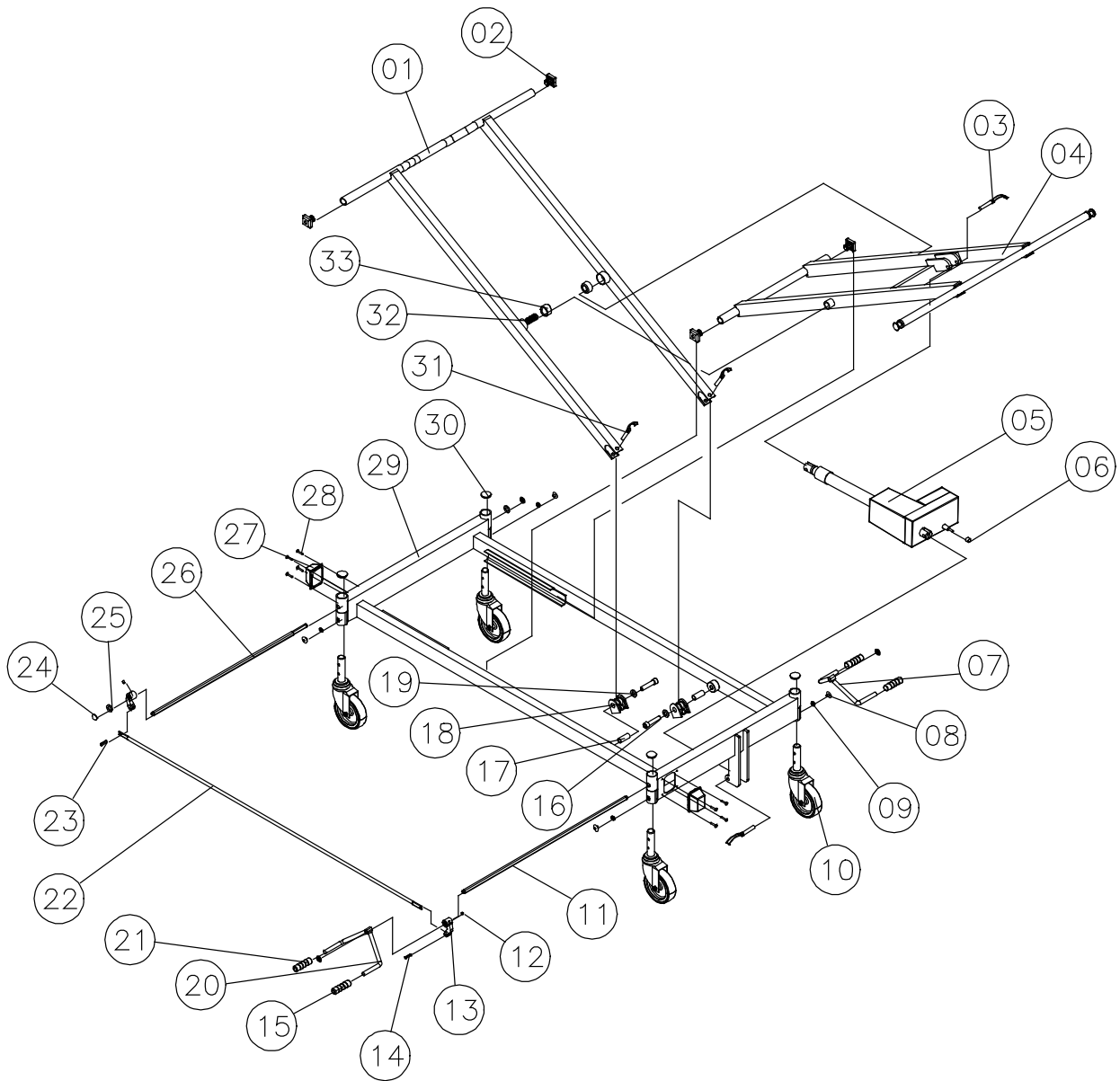
January 2006

Pos.	Spare parts Ident. no.:	Exchange kit no.: 1415625 Diverse mounting parts	Exchange kit no.: 020715 Motor-set	Pcs.	Description
01				1	Outer shear arm
02		X		4	Slide shoe
03			X	2	Pipe pin Ø10x60
04				1	Inner shear arm
05			X	1	Motor
06			X	1	Wire mark "I"
07	1435280			1	Left braking pedal
08				4	Screw M8x12
09				6	Nylonwasher
10	821201			4	Central braking castor Ø125 mm
11				1	Axle
12				2	Centerscrew M6x8
13				2	Retainer
14				1	Spiral clamp pin Ø5x36
15		X		2	Pedal rubber - red
16				2	Screw M12x55
17		X		2	Bush
18		X		2	Turning bush
19		X		2	Washer M12
20	1435279			1	Right braking pedal
21		X		2	Pedal rubber - green
22				1	Central braking castorstang
23				1	Spiral clamp pin Ø5x14
24				4	Starlock button
25				4	Spring washer
26				1	Axle
27				2	Cover for central braking castor
28				8	Screw Ø4.2x13
29				1	Base
30				4	Ferrules
31		X		2	Pipe pin Ø10x50
32		X		1	Spring
33		X		2	Bearing shell

Ident. no.:

Base SWL 250 kg with Ø125 mm central braking castor: 400.470.XX

January 2006



Bedend bow with plate incl. fittings with U-profiles

Page 1 of 2

Ident. no.:

Bedend bow with plate incl. fittings with U-profiles: 400.204.XX

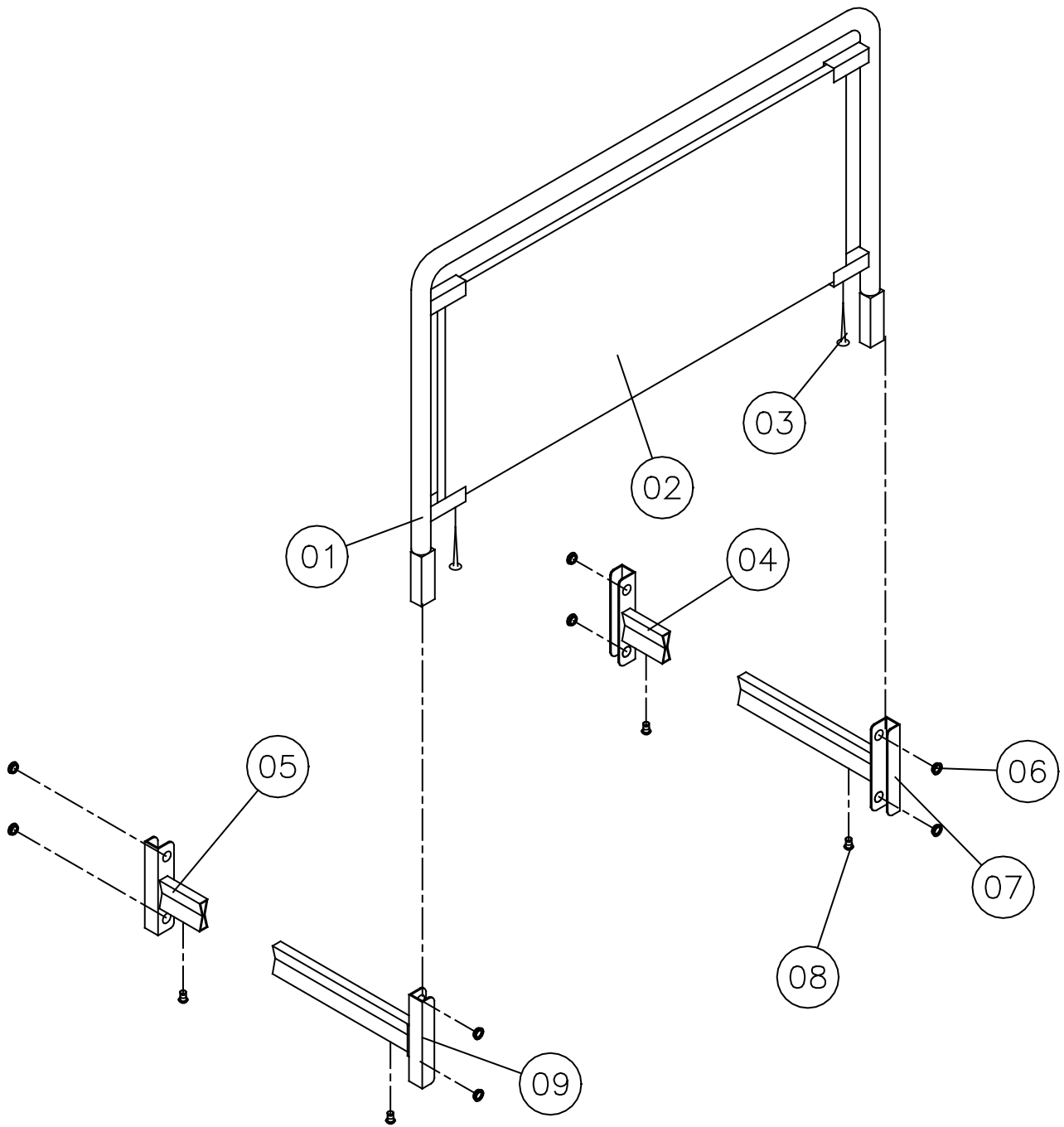
January 2006

Pos.	Exchange kit no.: 1415626	Pcs.	Description
01		2	Bedend bow without bedend
02		2	Bedend 8 mm
03		4	Chip board screw Ø2.5x10
04		1	Fittings with U-profil – head - left
05		1	Fittings with U-profil – head - right
06	X	8	Membrane nipple
07		1	Fittings with U-profil – foot - left
08	X	4	Screw M8x12
09		1	Fittings with U-profil – foot - right

Ident. no.:

Bedend bow with plate incl. fittings with U-profiles: 400.204.XX

January 2006



ODA bedends incl. fittings with U-profiles

Ident. no.:

ODA bedends incl. fittings with U-profiles: 400.205.XX

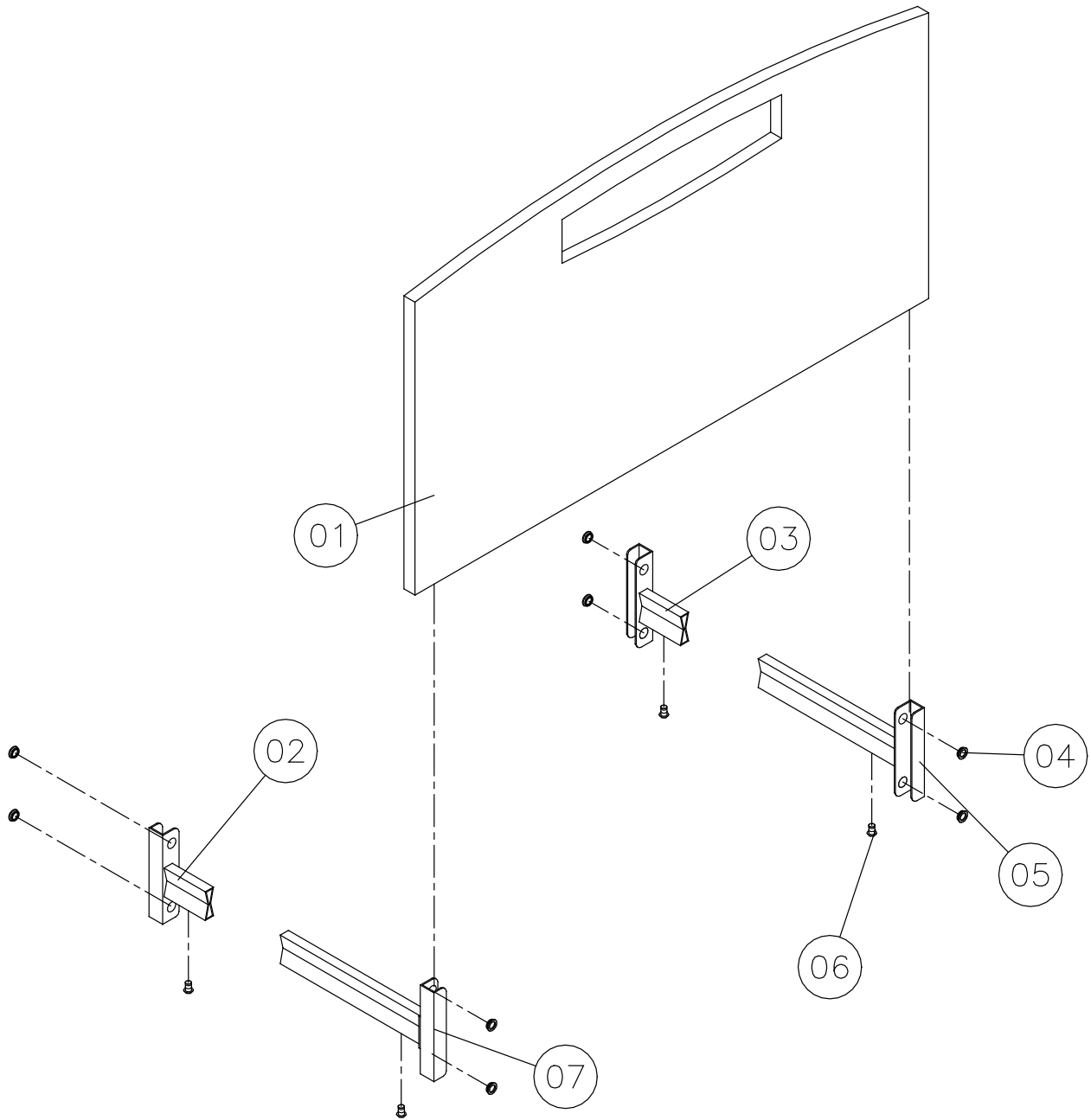
January 2006

Pos.	Exchange kit no.: 1415626	Pcs.	Description
01		2	ODA bedend
02		1	Fittings with U-profil – head - right
03		1	Fittings with U-profil – head - left
04	X	8	Membrane nipple
05		1	Fittings with U-profil – foot - left
06	X	4	Screw M8x12
07		1	Fittings with u-profil – foot – right

Ident. no.:

ODA bedends incl. fittings with U-profiles: 400.205.XX

January 2006



PIGGY bedends incl. fittings with U-profiles

Ident. no.:

PIGGY bedends incl. fittings with U-profiles: 400.206.XX

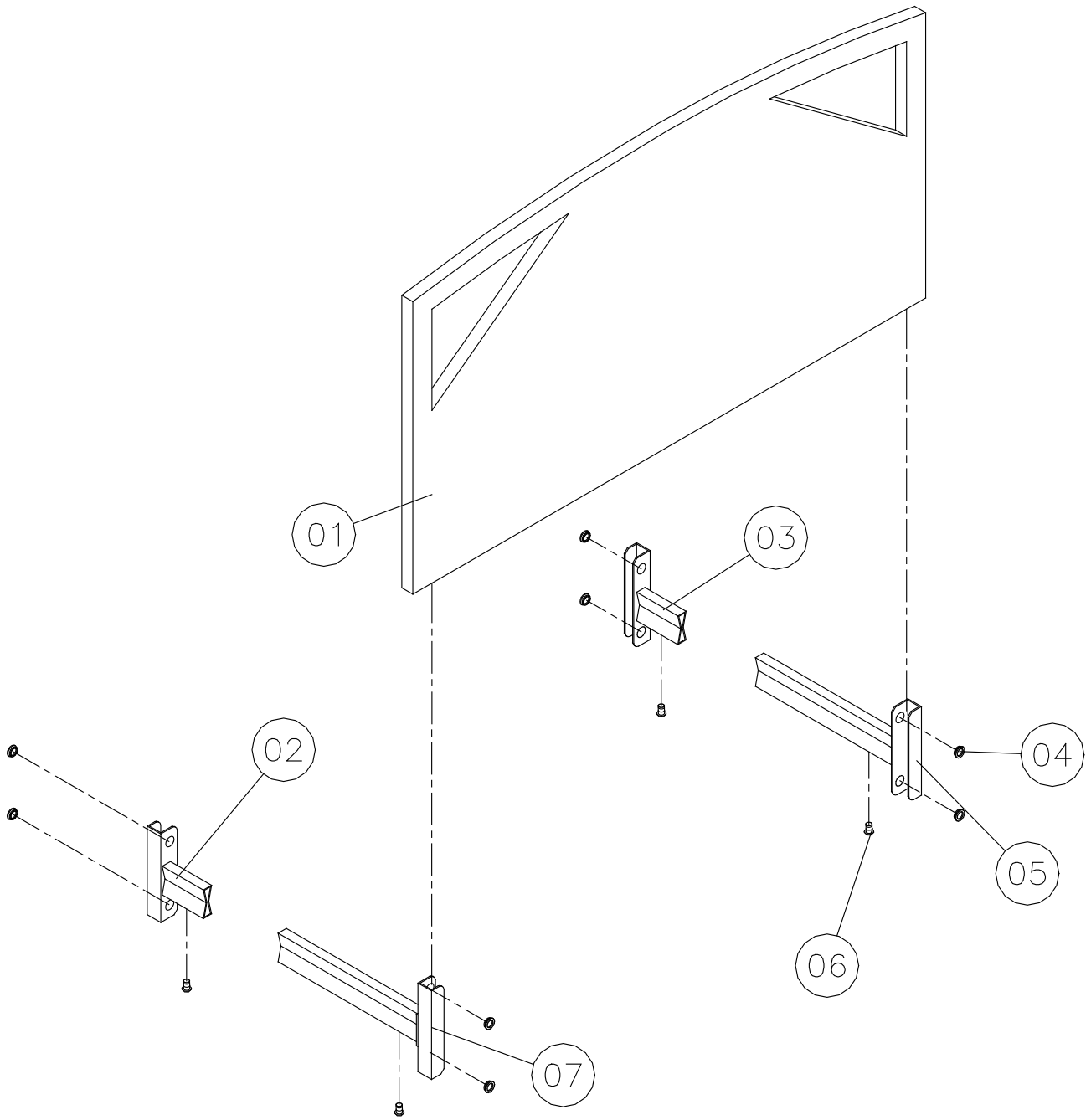
January 2006

Pos.	Exchange kit no.: 1415626	Pcs.	Description
01		2	PIGGY bedend
02		1	Fittings with U-profil – head - right
03		1	Fittings with U-profil – head - left
04	X	8	Membrane nipple
05		1	Fittings with U-profil – foot - left
06	X	4	Screw M8x12
07		1	Fittings with U-profil – foot – right

Ident. no.:

PIGGY bedends incl. fittings with U-profiles: 400.206.XX

January 2006



FLEX III wooden bedends incl. fittings

Ident. no.:

FLEX III wooden bedends incl. fittings: 400.208.XX

January 2006

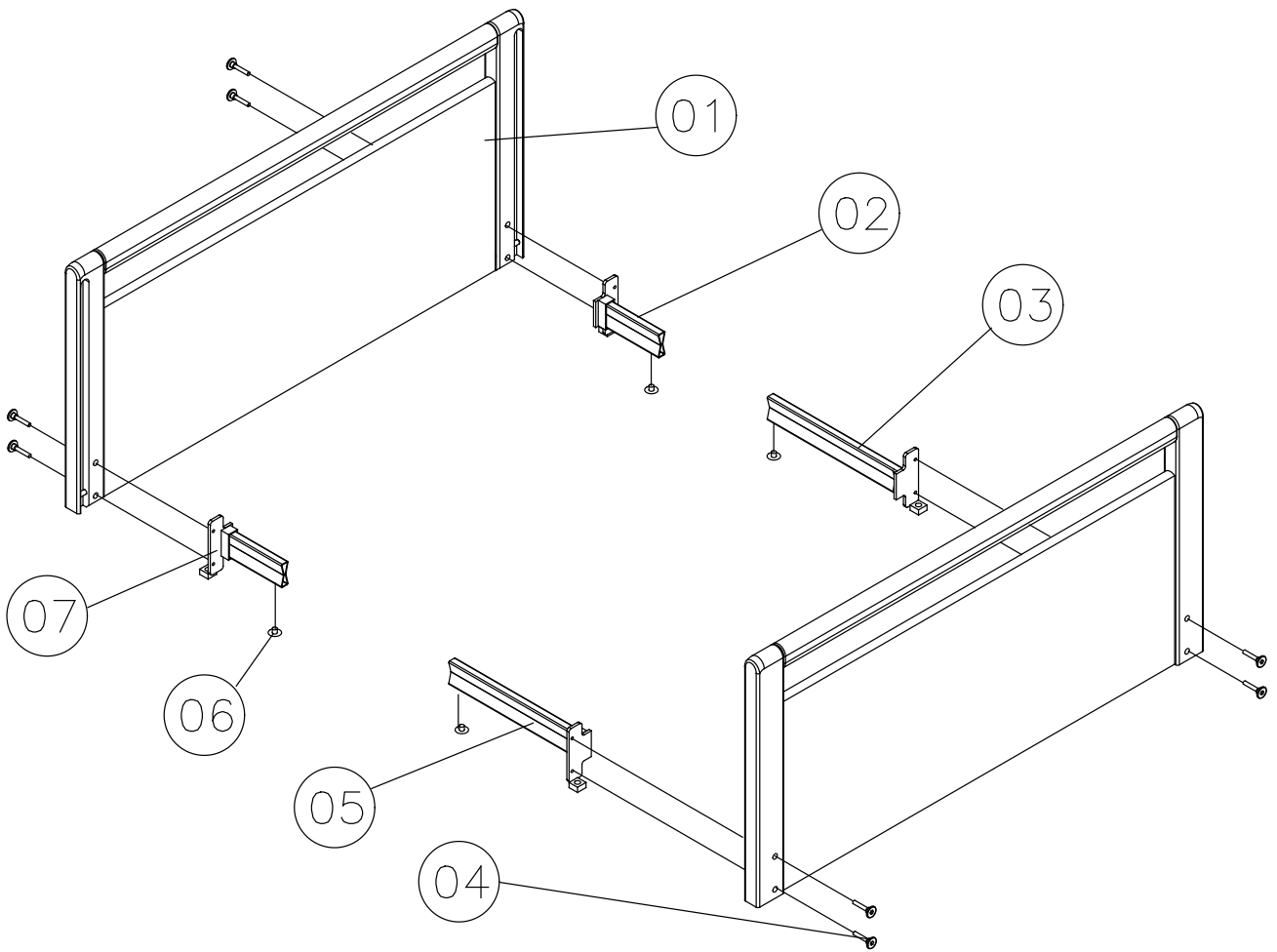
Pos.	Exchange kit no.: 1415627	Pcs.	Description
01		2	Wooden bedends – FLEX III
02		1	Fittings – head - left
03		1	Fittings – foot - left
04	X	8	Furniture screw M6x40
05		1	Fittings – foot – right
06	X	4	Screw M8x12
07		1	Fittings – head - right

FLEX III wooden bedends incl. fittings

Ident. no.:

FLEX III wooden bedends incl. fittings: 400.208.XX

January 2006



SANNE III wooden bedends incl. fittings

Page 1 of 2

Ident. no.:

SANNE III wooden bedends (cherry/beech - mix) incl. fittings: 400.21 I.X7

SANNE III wooden bedends incl. fittings: 400.212.XX

January 2006

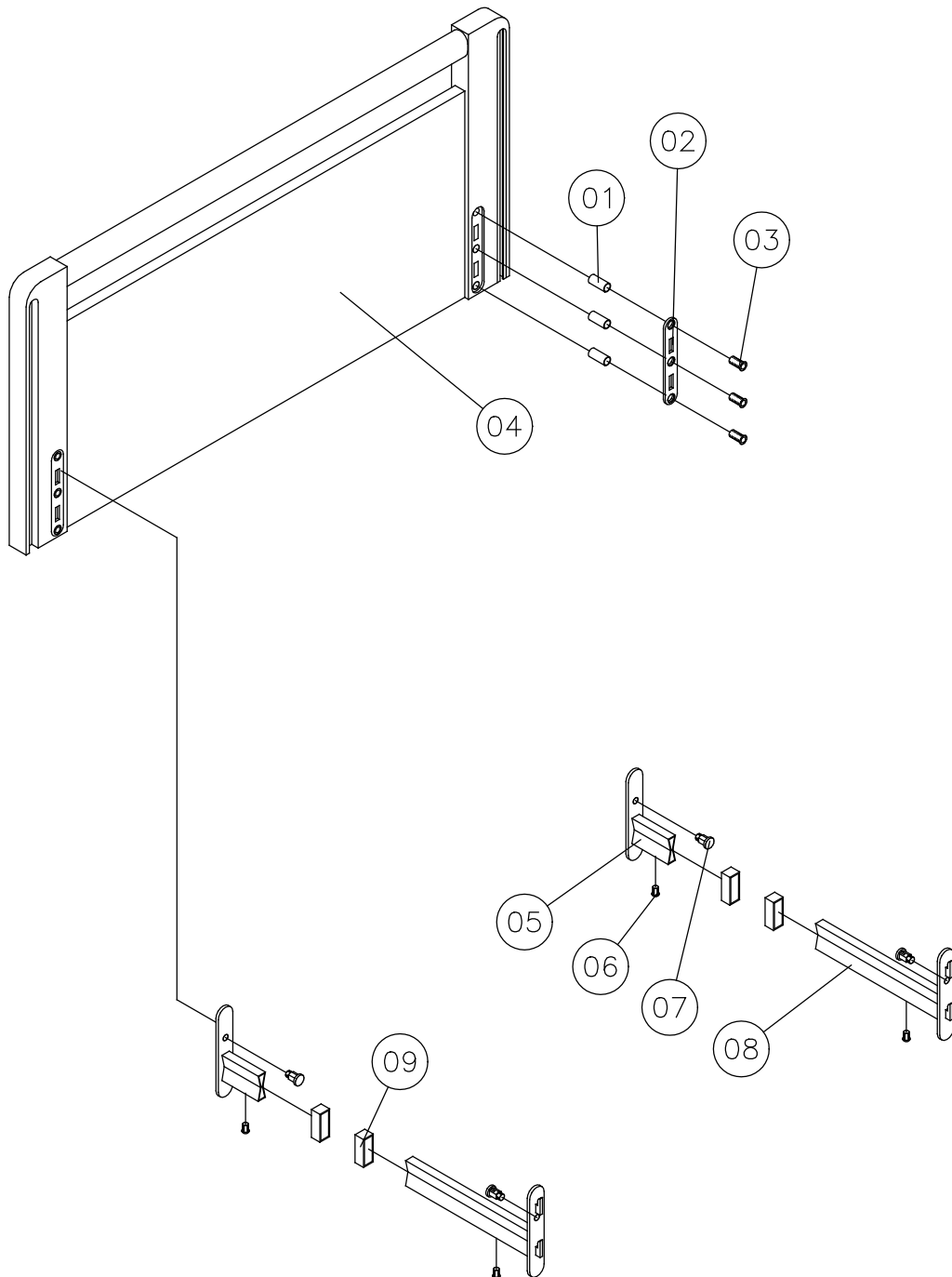
Pos.	Exchange kit no.: 1415631	Pcs.	Description
01	X	12	Thread bush
02	X	4	Fittings
03	X	12	Screw M8x20
04		2	SANNE III wooden bedends
05		2	Insertion – head
06		4	Screw M8x12
07		4	Spring lock
08		2	Insertion – foot
09		4	Tube

Ident. no.:

SANNE III wooden bedends (cherry/beech - mix) incl. fittings: 400.211.X7

SANNE III wooden bedends incl. fittings: 400.212.XX

January 2006



SANNE III wooden bedends - without alum-slides - incl. fittings

Page 1 of 2

Ident. no.:

SANNE III wooden bedends (cherry/beech - mix) – without alum-slides - incl. fittings: 400.213.X7

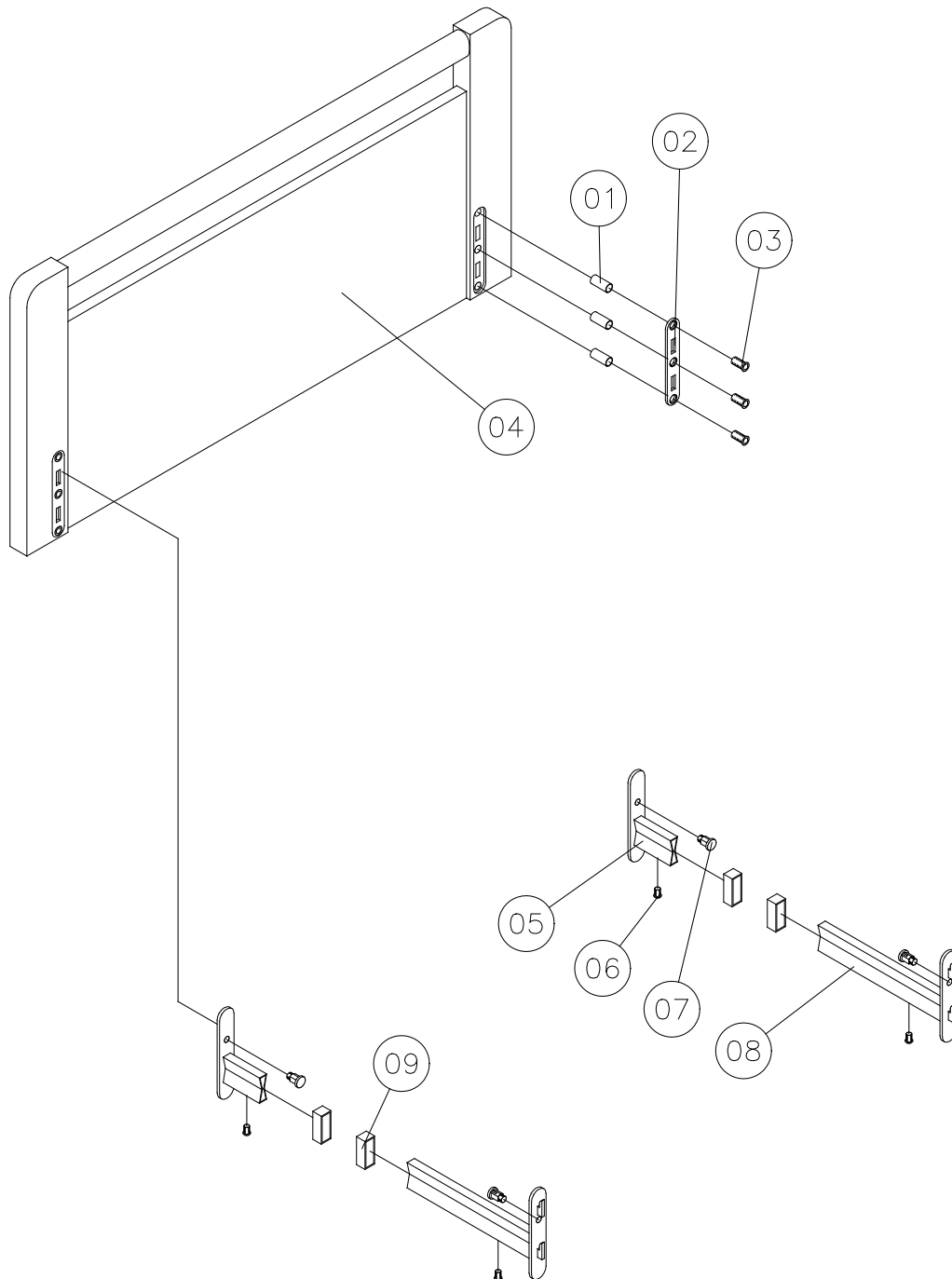
January 2006

Pos.	Exchange kit no.: 1415631	Pcs.	Description
01	X	12	Threadbush
02	X	4	Fittings
03	X	12	Screw M8x20
04		2	SANNE III wooden bedends without alum-slides
05		2	Insertion – head
06		4	Screw M8x12
07		4	Spring lock
08		2	Insertion – foot
09		4	Tube

Ident. no.:

SANNE III wooden bedends (cherry/beech - mix) – without alum-slides - incl. fittings: 400.213.X7

January 2006



Metal side rail – Model 5519 – 5539

Ident. no.:

Metal side rail – Model 5519 – for 200 cm mattress support: 50.55190.XX/L+R

Metal side rail – Model 5539 – for mattress support extension: 50.55390.XX/L+R

January 2006

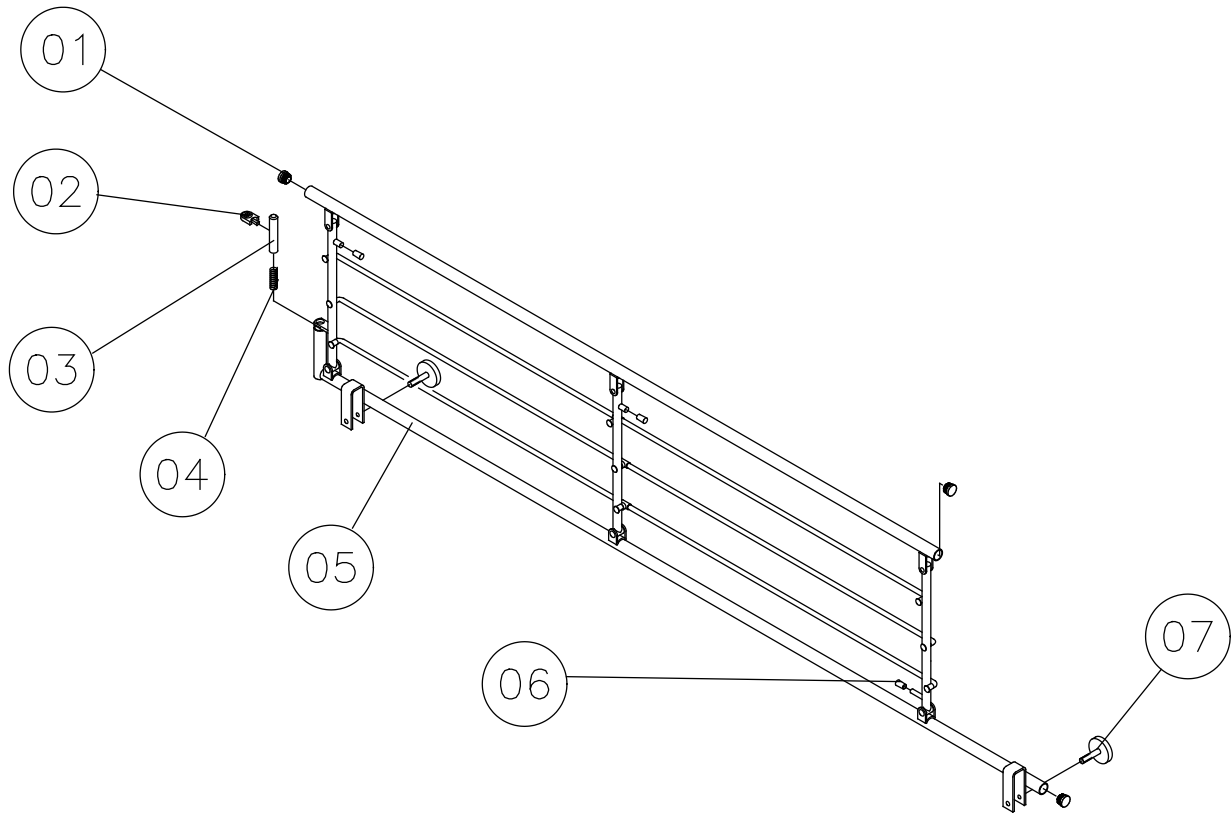
Pos.	Exchange kit no.: 020025	Exchange kit no.: 020026	Pcs.	Description
01	X		6	Ferrules
02		X	2	Release button
03		X	2	Check pawl
04		X	2	Spring
05			1 1	Side rail – left Side rail – right
06	X		6	Ferrules
07	X		4	Thumb screw

Ident. no.:

Metal side rail – Model 5519 – for 200 cm mattress support: 50.55190.XX/L+R

Metal side rail – Model 5539 – for mattress support extension: 50.55390.XX/L+R

January 2006



Metal side rail – Model 5526 – 5528

Page 1 of 2

Ident. no.:

Metal side rail – Model 5526 – for 200 cm mattress support: 50.55260.XX/L+R

Metal side rail – Model 5528 – for mattress support extension: 50.55280.XX/L+R

January 2006

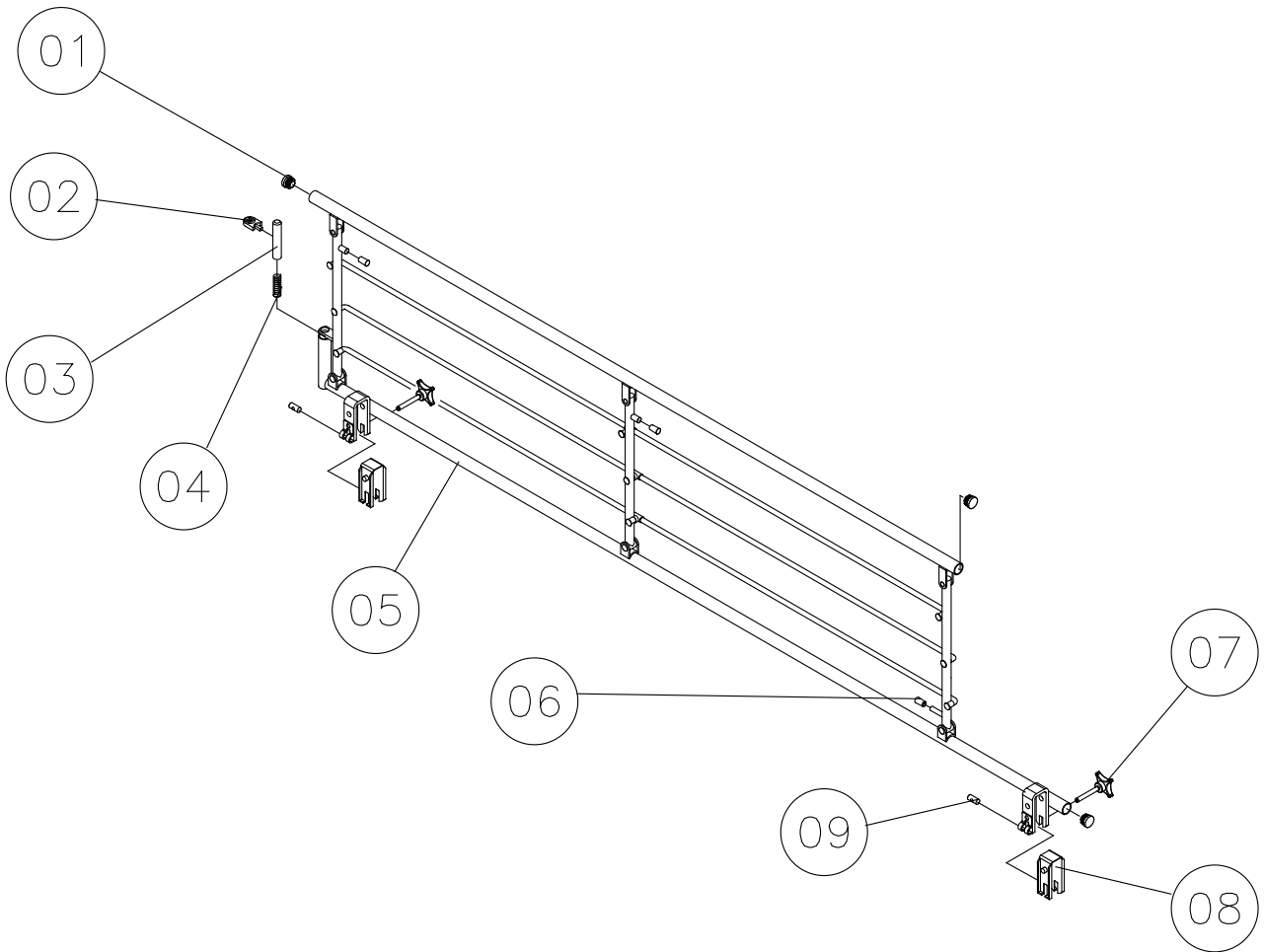
Pos.	Spare parts Ident. no.:	Exchange kit no.: 020025	Exchange kit no.: 020026	Pcs.	Description
01		X		6	Endeprop
02			X	2	Release button
03			X	2	Check pawl
04			X	2	Spring
05				1 1	Side rail – left Side rail – right
06		X		6	Ferrules
07		X		4	Thumb screw
08	421843			4	Plastic indlæg
09	421468			4	Cylinder nut

Ident. no.:

Metal side rail – Model 5526 – for 200 cm mattress support: 50.55260.XX/L+R

Metal side rail – Model 5528 – for mattress support extension: 50.55280.XX/L+R

January 2006



Metal side rail without vertical braces – Model 5525

Page 1 of 2

Ident. no.:

Metal side rail without vertical braces – Model 5525 – for 200 cm mattress support: 50.55250.XX/L+R

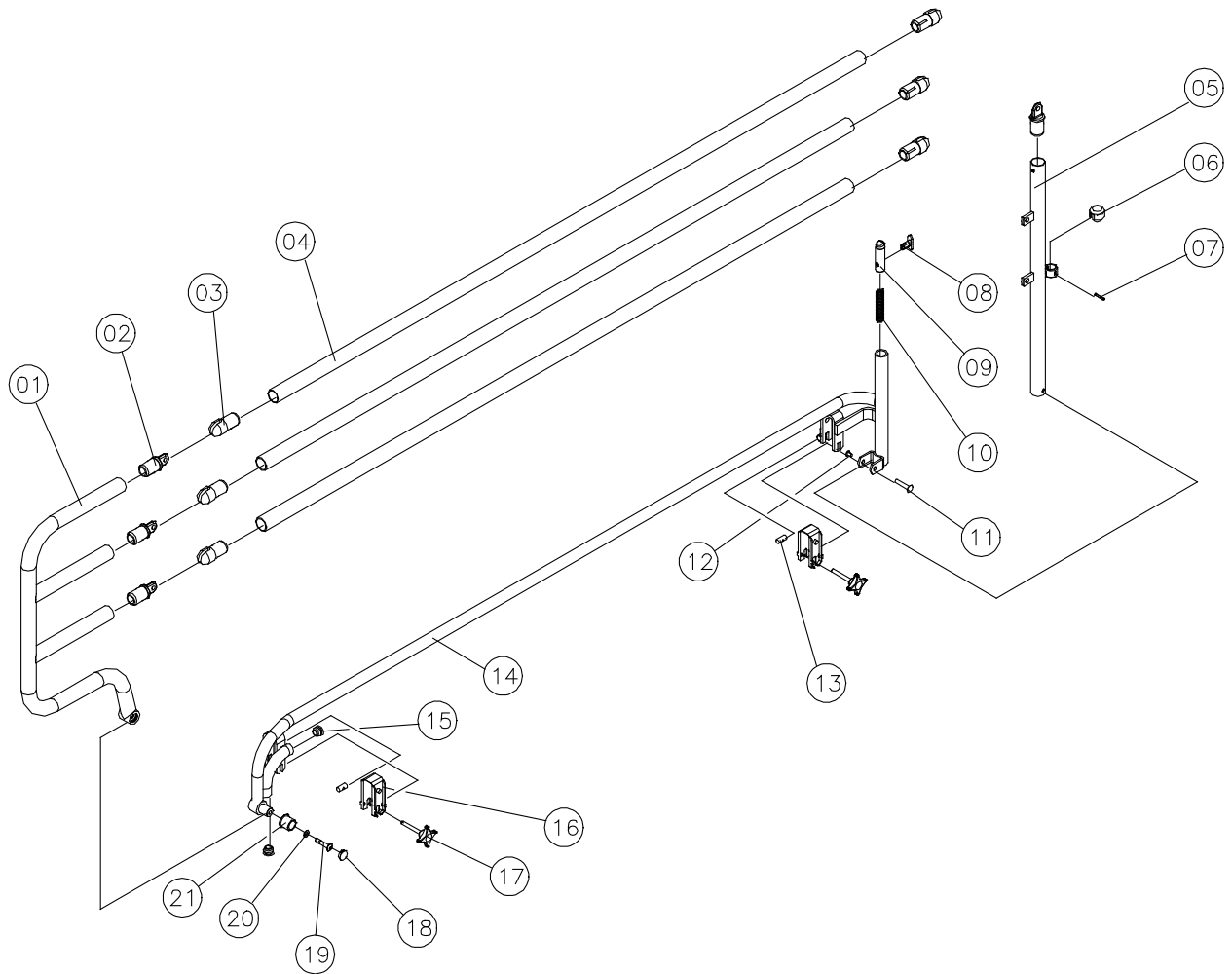
January 2006

Pos.	Spare parts Ident. no.:	Pcs.	Description
01		1	Upright bow
02		4	Hinged joint - male
03		6	Hinged joint - female
04		3	Tube
05		1	Upright with lock
06		1	Release lever
07	803849	1	Spiral clamp pin Ø3x20
08	422150	1	Button for check pawl
09		1	Check pawl
10		1	Spring
11		1	Cover for Pop-rivet
12		1	Pop-rivet
13	421468	2	Cylinder nut
14		1	Stiffener with lock tube
15		2	Ferrules
16	421843	2	Plastic insert
17		2	Thumb screw M6x45
18		1	Ferrules
19		1	Rivet
20		1	Nylon washer
21		1	Bearing bush

Ident. no.:

Metal side rail without vertical braces – Model 5525 – for 200 cm mattress support: 50.55250.XX/L+R

January 2006



Wooden side rail - BRITT III

Ident. no.:

Wooden side rail BRITT III for 200 cm mattress support: 1415615.XX

Wooden side rail BRITT III for extended mattress support: 020774.XX

January 2006

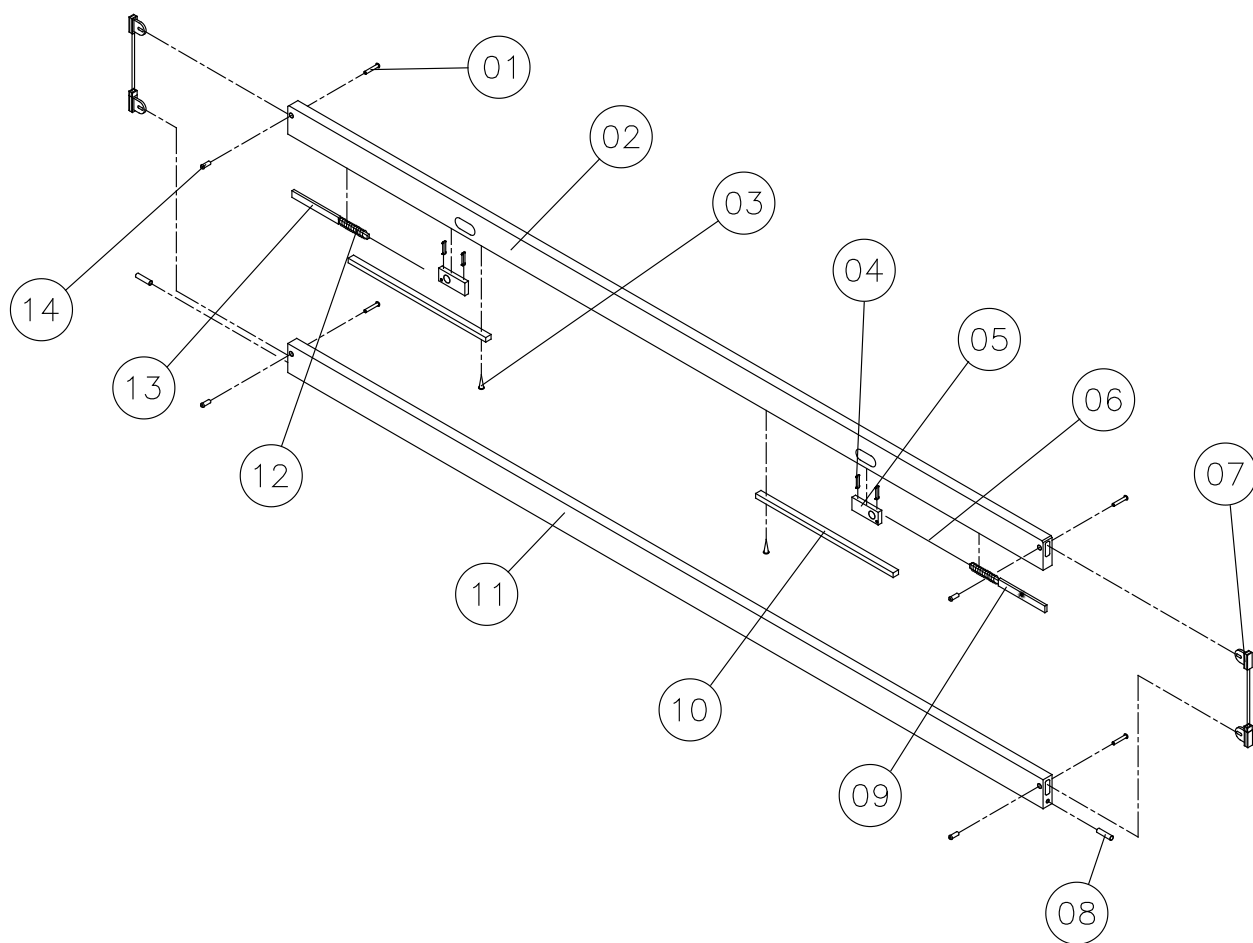
Pos.	Exchange kit no.: 020023	Exchange kit no.: 020024	Pcs.	Description
01	X	X	8	Connecting bolt, female
02			2	Wooden side rail, upper
03	X	X	4	Chip board screw Ø3x20
04		X	8	Rubber insertion for release lever
05		X	8	Release lever
06		X	4	Wire
07	X		4	Slide-walle
08	X		4	Pin
09		X	4	Check pawl, right
10			4	Beeche list
11			1	Wooden side rail, lower
12		X	4	Spring
13		X	4	Check pawl, left
14	X	X	8	Connecting bolt, male

Ident. no.:

Wooden side rail BRITT III for 200 cm mattress support: 1415615.XX

Wooden side rail BRITT III for extended mattress support: 020774.XX

January 2006



Support

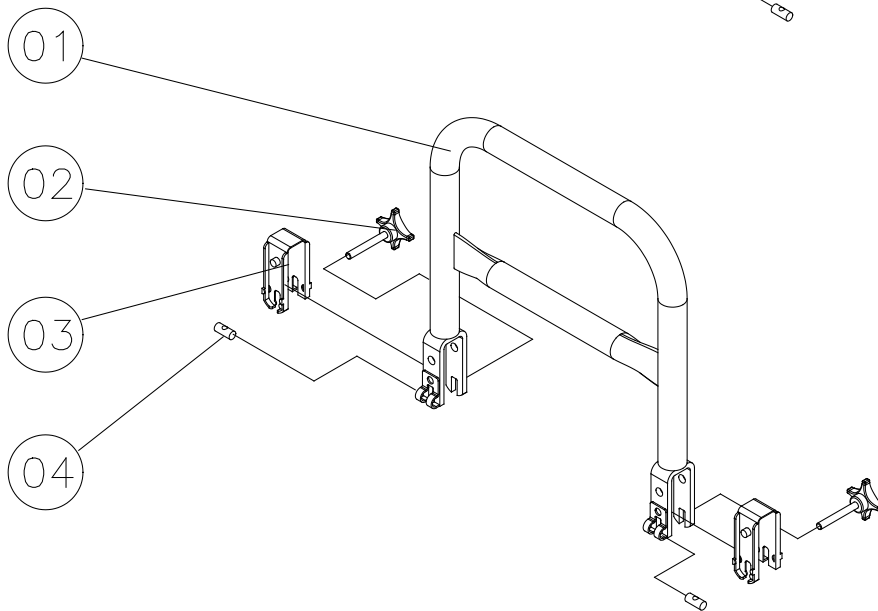
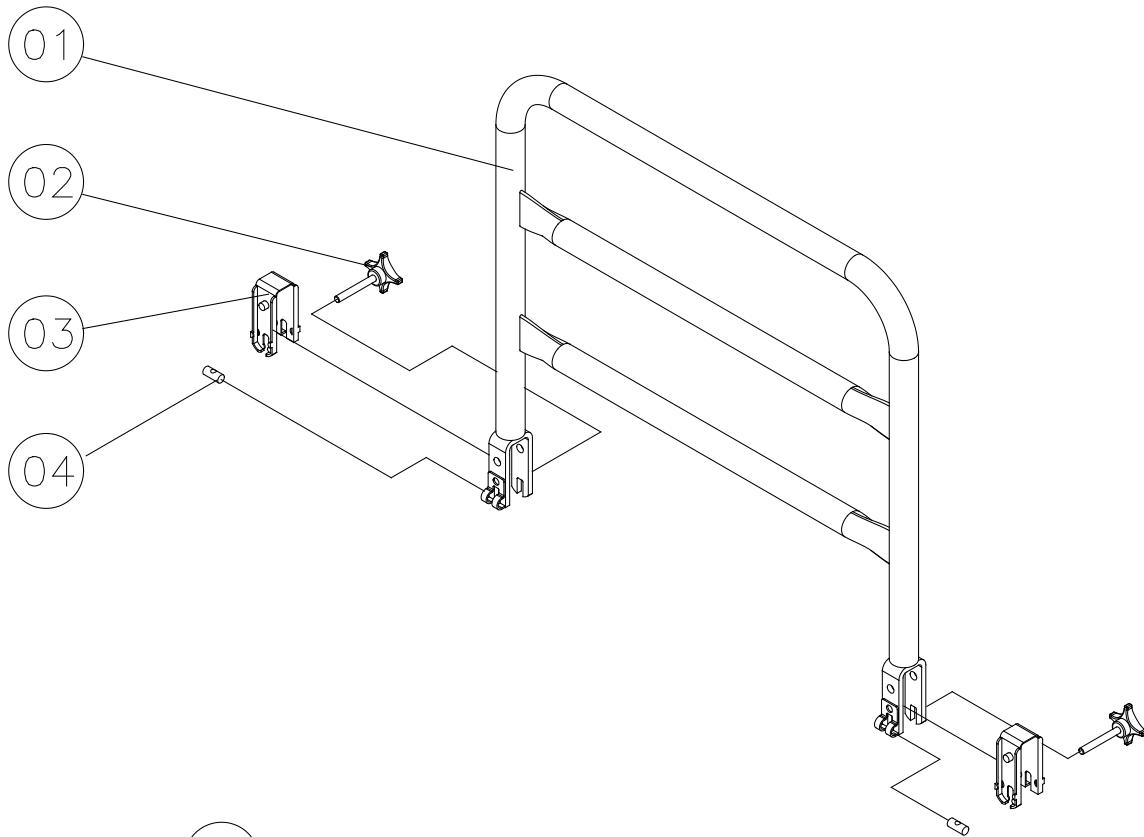
Ident. no.:

Support – 40x50 cm: 021963.XX

Support – 25x30 cm: 021964.XX

January 2006

Pos.	Spare parts Ident. no.:	Pcs.	Description
01		1	Support
02	821251	2	Thumb screw M6x45
03	421843	2	Plastic insert
04	421468	2	Cylinder nut



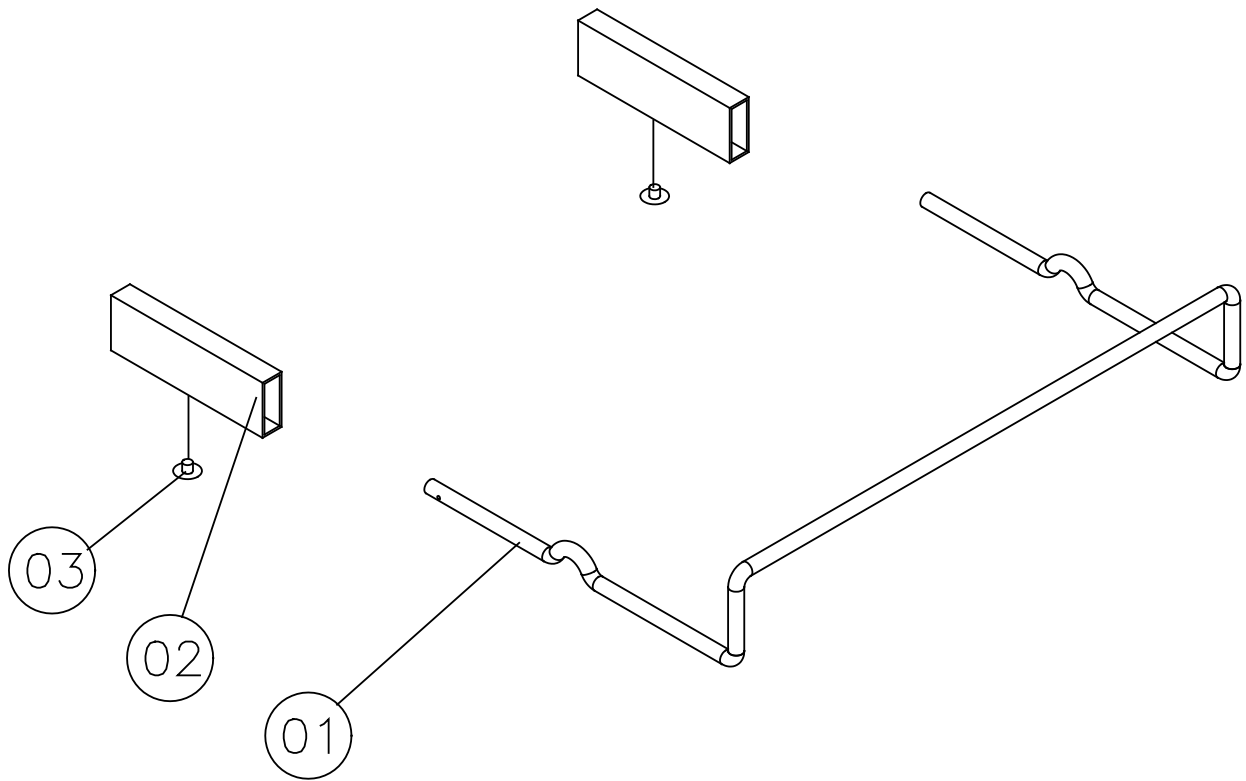
Mattress support extension

Ident. no.:

Mattress support extension: 020493.XX

January 2006

Pos.	Pcs.	Description
01	1	Mattress support extension
02	2	Tube
03	2	Screw M8x12



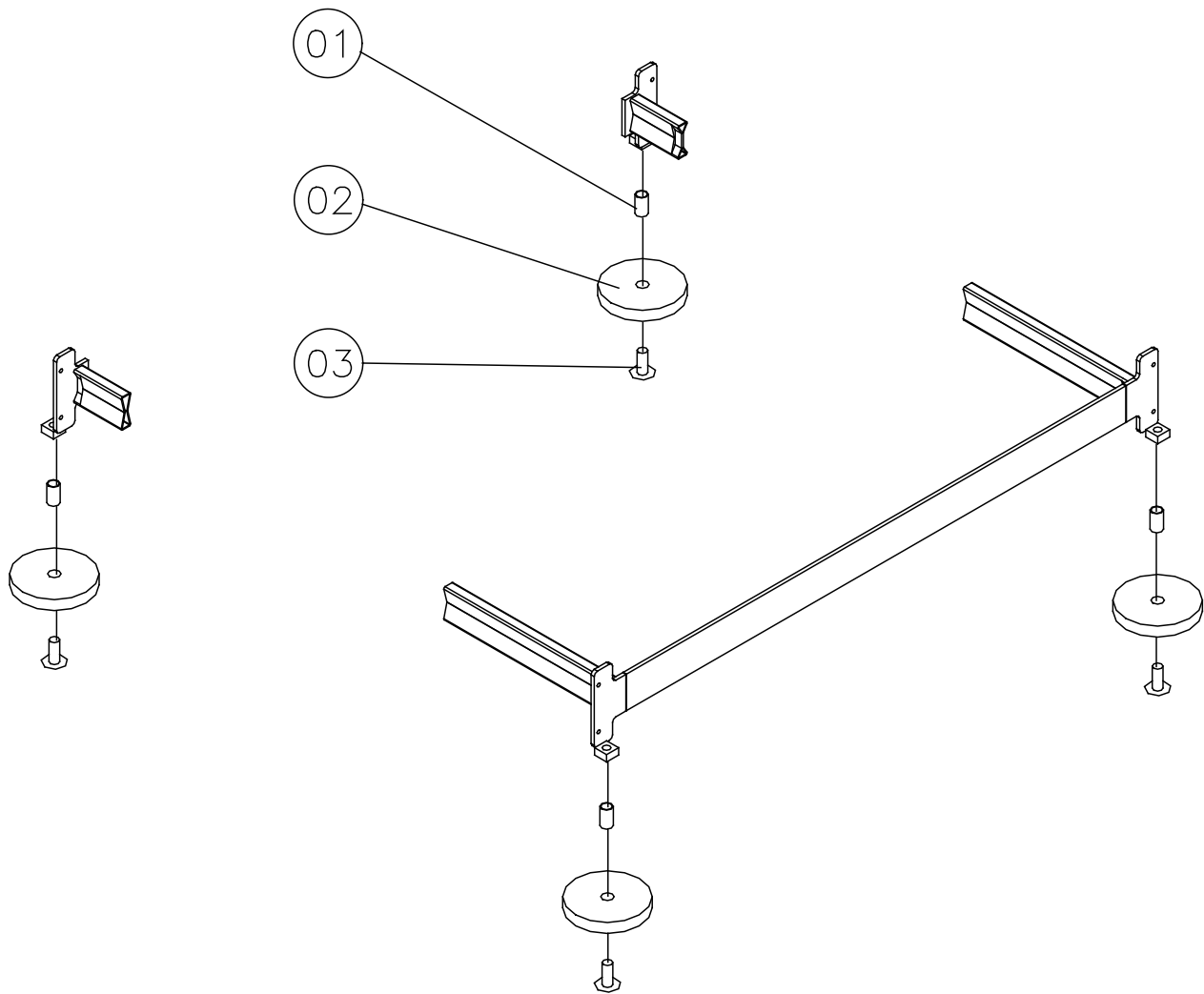
Bumper wheel Ø75 mm

Ident. no.:

Bumper wheel Ø75 mm: 50.59600.00

January 2006

<i>Pos.</i>	<i>Pcs.</i>	<i>Description</i>
01	4	Bush
02	4	Bumper wheel
03	4	Screw



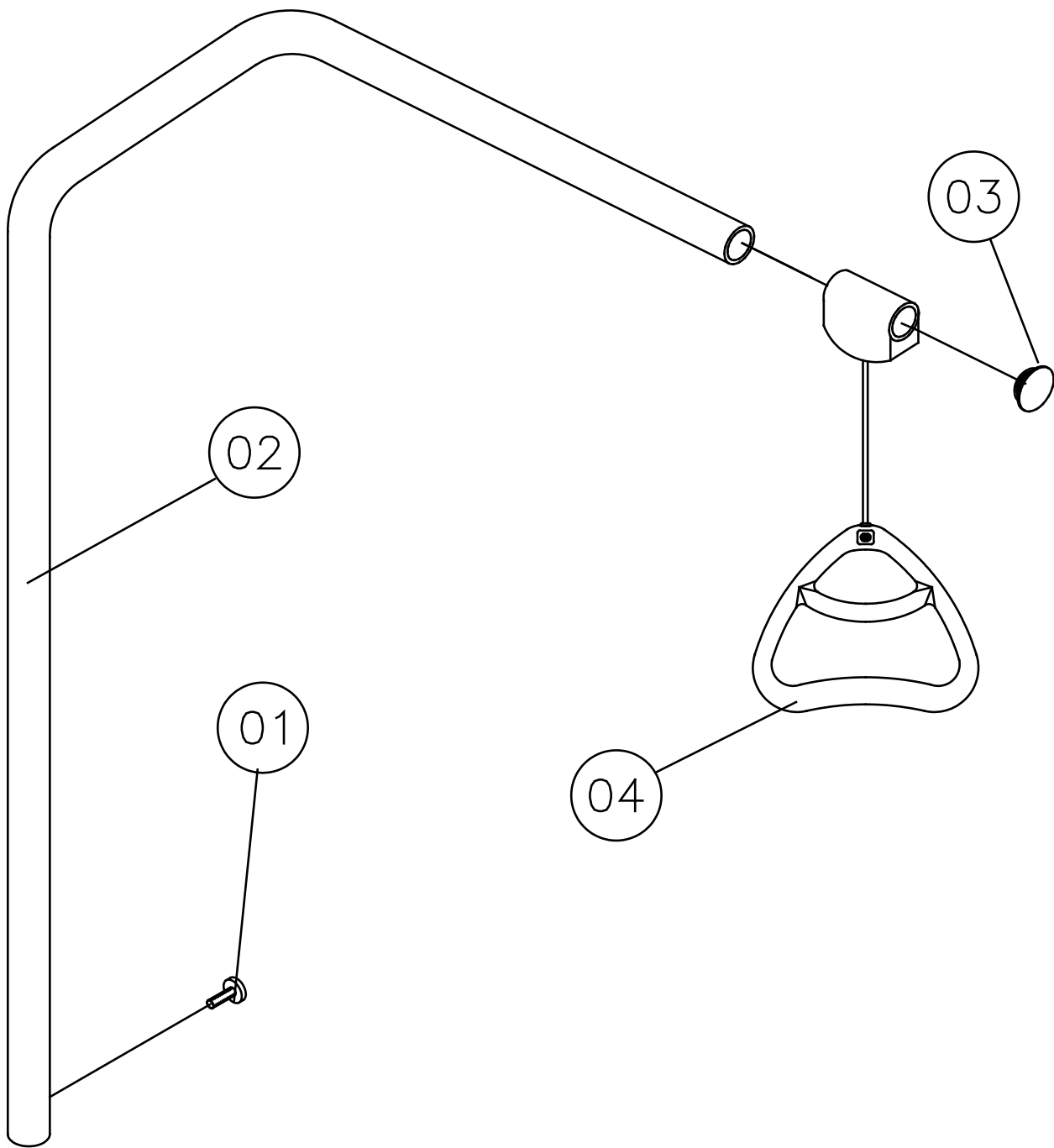
Lifting pole - model 5760

Ident. no.:

Lifting pole - model 5760: 50.57600.XX

January 2006

Pos.	Exchange kit no.: 020028	Pcs.	Description
01	X	1	Thumb screw M6x16
02		1	Lifting pole, welded
03	X	1	Handle for lifting pole, complete
04	X	1	Plug for lifting pole



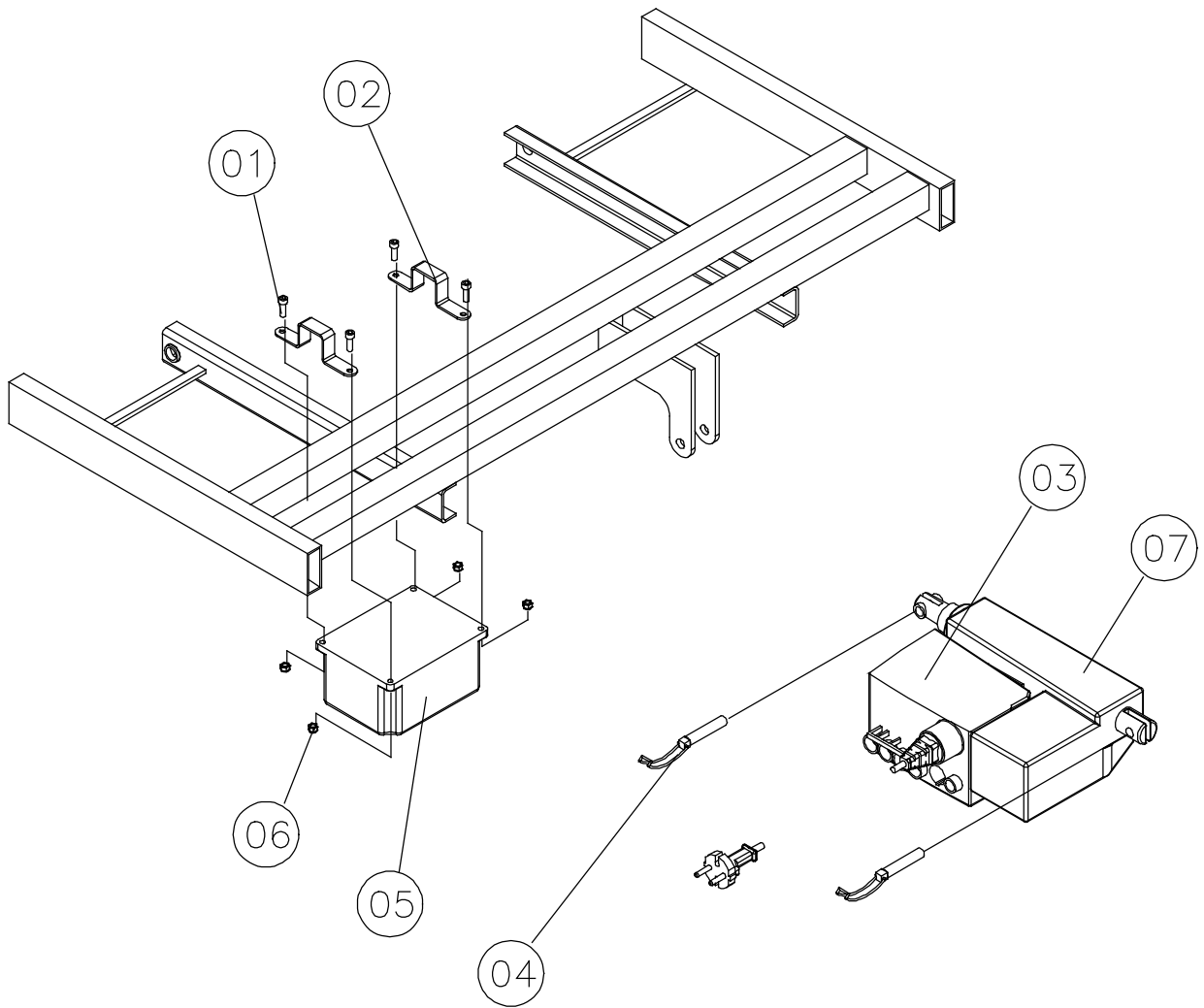
Accumulator back-up

Ident. no.:

Accumulator back-up: 1415612-XXXX

January 2006

Pos.	Spare parts Ident. no.:	Pcs.	Description
01		4	Screw M5x16
02		2	Suspension for accumulator back-up
03	1415606	1	Control
04	819411	2	Pipe pin
05	320593	1	Accumulatorbox incl. accumulators
06		4	Lock nut M5
07	321561	1	Motor – back rest



Transportation rack for assembled bed

Ident. no.:

Transportation rack: 021959.XX

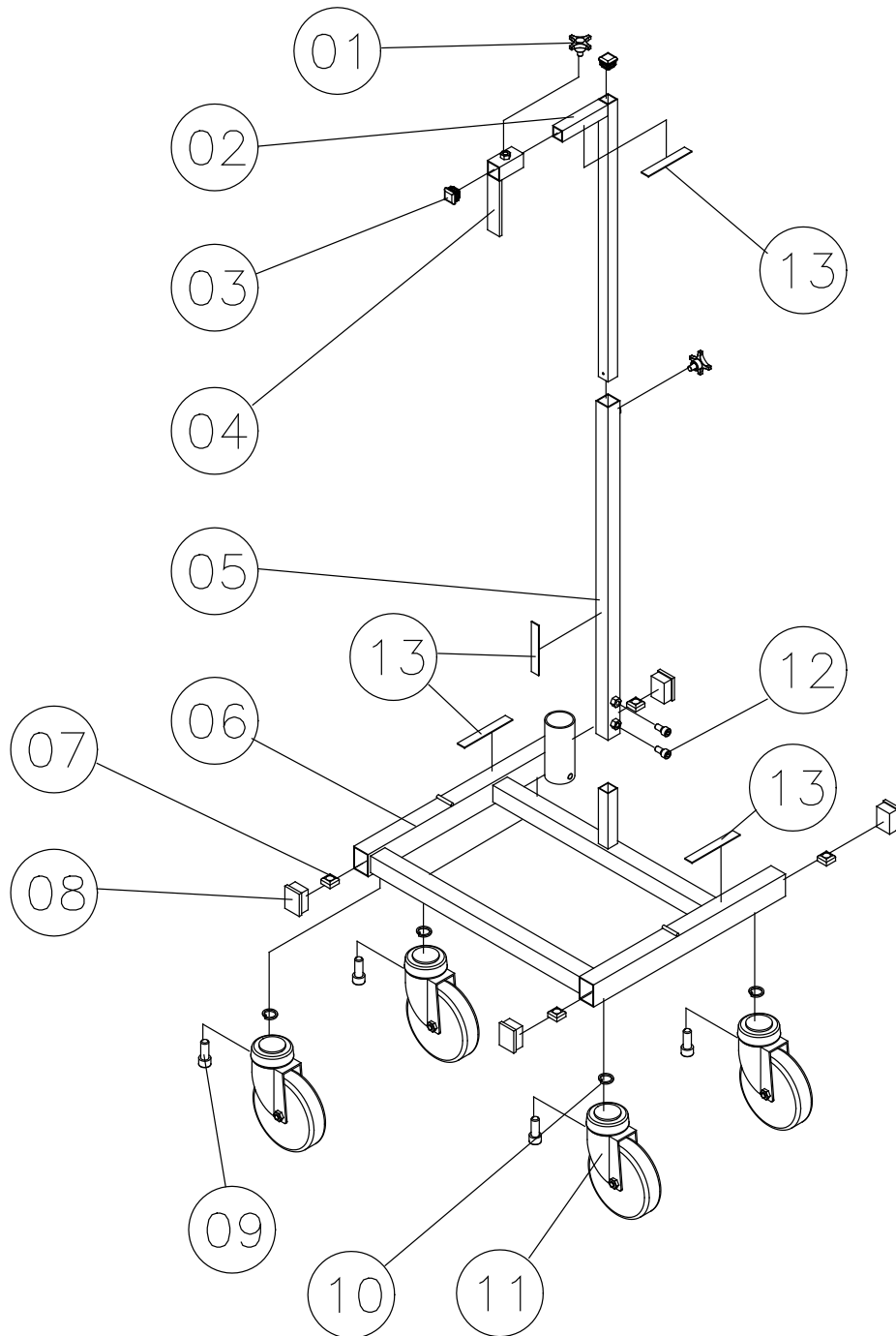
January 2006

Pos.	Exchange kit no.: 021944	Exchange kit no.: 1415628	Pcs.	Description
01		X	2	Thumb screw M8x30
02			1	Upright
03		X	2	Ferrules
04			1	Slide ratchet
05			1	Support tube
06			1	Bottom frame
07	X		4	Nut M12
08			4	Ferrules
09	X		4	Screw M12x30
10	X		4	Spring washer
11	X		4	Wheel Ø125 mm
12			2	Screw M8x16
13		X	1.5 m	Safety-walk – non-skid tape

Ident. no.:

Transportation rack: 021959.XX

January 2006



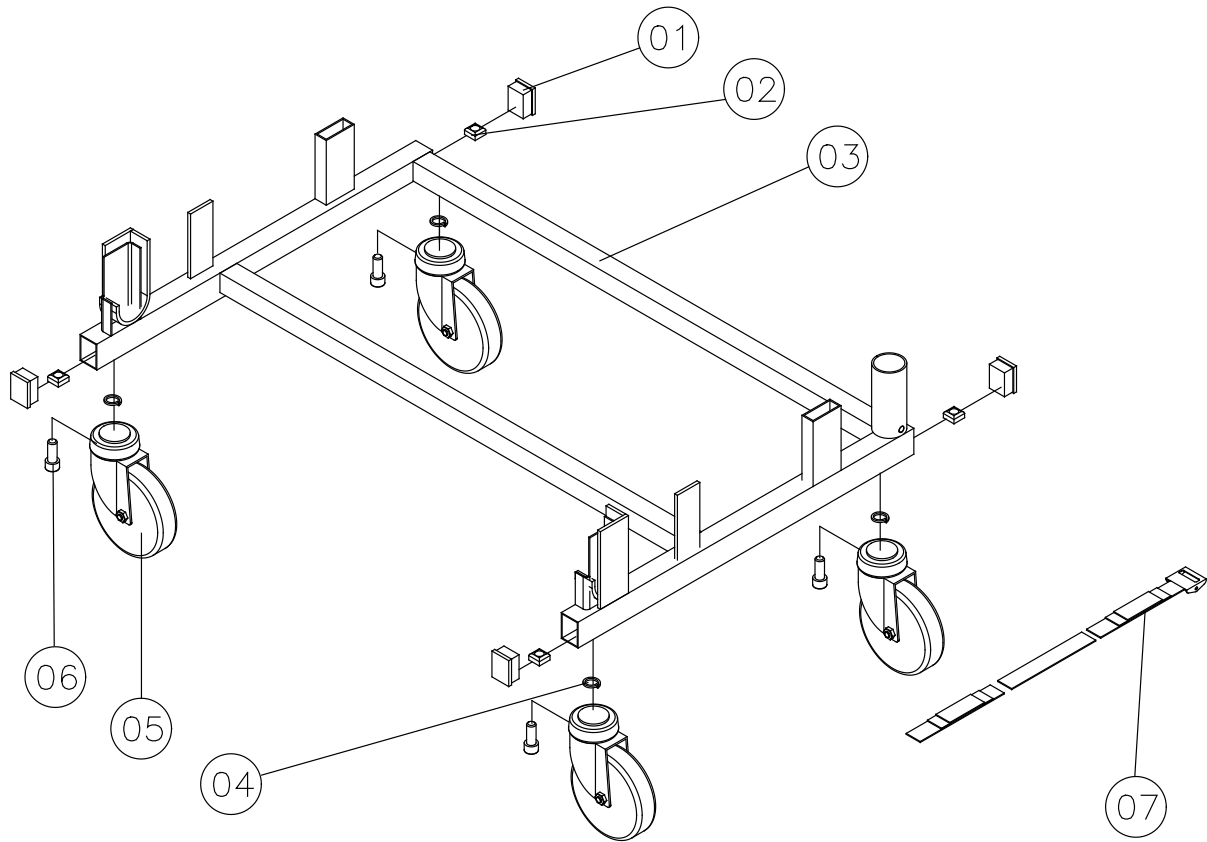
Storage rack for disassembled bed

Ident. no.:

Storage rack: 021960.XX

January 2006

Pos.	Spare parts Ident. no.:	Exchange kit no.: 021944	Pcs.	Description
01	819452		4	Ferrules
02		X	4	Nut M12
03			1	Storage rack
04		X	4	Spring washer
05		X	4	Braking castor Ø125mm
06		X	4	Screw M12x30
07	6770197		2	Belt





Customer Sales and Service

Denmark

INVACARE A/S
Sdr. Ringvej 39
DK-2605 Brøndby
Phone: +45 36 90 00 00
Fax: +45 36 90 00 01
www.invacare.dk
denmark@invacare.com

Sweden & Finland

INVACARE AB
Fagerstagatan 9 / Box 66
S-163 91 Spånga
Phone: +46 8 761 70 90
Fax: +46 8 761 81 08
www.invacare.se
sweden@invacare.com

Norway & Iceland

INVACARE AS
Grensesvingen 9
Postbox 6230 Etterstad
N-0603 Oslo
Phone: +47 22 57 95 00
Fax: +47 22 57 95 01
www.invacare.no
norway@invacare.com

Spain

INVACARE S.A.
C/Areny s/n
Poligon Industrial de Celrà
E-17460 Celrà (Girona)
Phone: +34 972 49 32 00
Fax: +34 972 49 32 20
www.invacare.es
contactsp@invacare.com

Invacare® EC-Høng A/S
Ident. no.: 1441215
Version 03 01.2006

Belgium & Luxemburg

INVACARE N.V.
Autobaan 14
B-8210 Loppem, Brügge
Phone: +32 50 83 10 10
Fax: +32 50 83 10 11
www.invacare.be
belgium@invacare.com

Netherlands

INVACARE B.V.
Celsiusstraat 46
NL-6716 BZ Ede
Phone: +31 318 695 757
Fax: +31 318 695 758
www.invacare.nl
care@invacare.com

Germany

Aquatec GmbH
Alemannenstrasse 10
88316 Isny
Phone: +49 (0) 75 62 700 0
Fax: +49 (0) 75 62 700 66
www.aquatec.de
info@aquatec.de

Portugal

INVACARE Lda
Rua Senhora de Campanhã 105
4369-001 Porto
Phone: +351 225 1059 46/47
Fax: +351 225 1057 39
portugal@invacare.com

Australia

INVACARE Australia Pty Ltd
1 Lenton Place
North Rocks
NSW 2151
Phone: +61 2 8839 5333
Fax: +61 2 8839 5353
www.invacare.com.au
sales@invacare.com.au

France

INVACARE Poirier S.A.S
Route de St Roch
F-37230 Fondettes
Phone: +33 2 47 62 64 66
Fax: +33 2 47 42 12 24
www.invacare.fr
contactfr@invacare.com

Italy

INVACARE MECC SAN S.R.L.
Via dei Pini 62
I-36016 Thiene (VI)
Phone: +39 0445 38 00 59
Fax: +39 0445 38 00 34
www.invacare.it
italia@invacare.com

United Kingdom & Ireland

INVACARE LTD
South Road
Bridgend Industrial Estate
UK-Bridgend, CF31 3PY
Phone: +44 1 656 664 321
Fax: +44 1 656 667 532
www.invacare.co.uk
uk@invacare.com

New Zealand

INVACARE NZ
4 Westfield Place,
Mt. Wellington
Auckland
Phone: +64 9 917 3939
Fax: +64 9 917 3957
www.invacare.co.nz
sales@invacare.co.nz

Hatfield
2/122 Taradale Road
Napier
Phone: +64 6 843 3119
Fax: +64 6 843 3445
sales@hatfield.co.nz

Manufacturer:



QUALITY SYSTEM
DS/EN ISO 9001
DS/EN ISO 13485

INVACARE EC-Høng A/S
Østergade 3
DK-4270 Høng
www.invacarebeds.dk