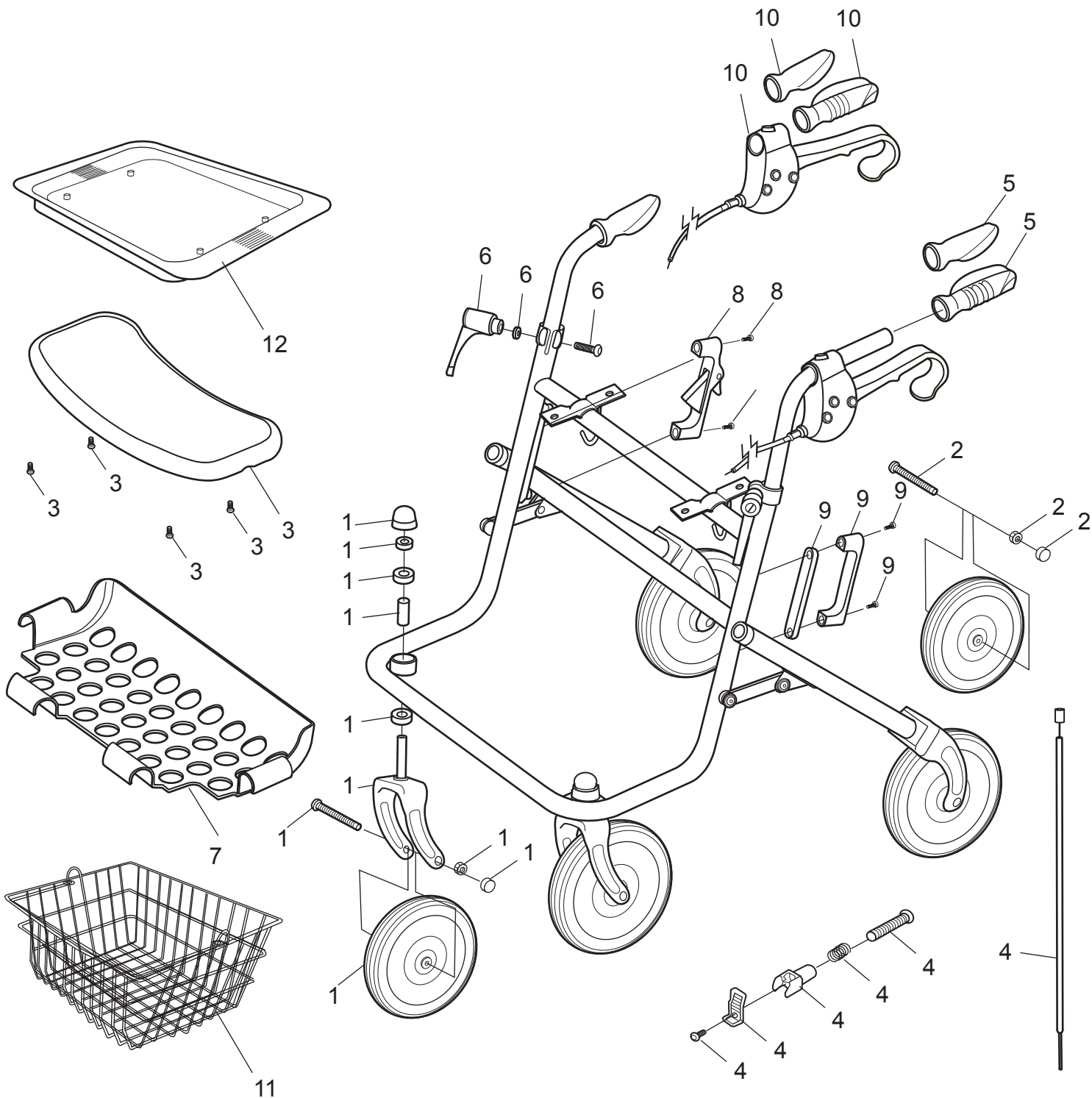


P452E/3 - BANJO



- | | | |
|----|---------|--|
| 1 | 1452450 | Front fork set |
| 2 | 1452451 | Wheel set |
| 3 | 1452452 | Seat set |
| 4 | 1452068 | Brake wire/cable set |
| 5 | 1452069 | Handgrip (pair) |
| 6 | 1452072 | Handle fixation set |
| 7 | 1452407 | Load shelf |
| 8 | 1452453 | Fold lock set |
| 9 | 1512890 | Left guide bracket |
| 10 | 1510892 | Brake handle complete (left and right) |
| 11 | 1452157 | Basket |
| 12 | 1452047 | Tray |
| | 1452169 | Operating instructions |

