



Invacare® ScanBeta NG
Child cot

User manual
Brugsanvisning
Bruksanvisning
Brugsvejledning
Manuel d'utilisation
Gebruiksaanwijzing

EN
DA
SV
NO
FR
NL



This manual must be given to the user of the product.
Before using this product, read this manual and save for future reference



Yes, you can.®

Contents

1. General information	4
1.1 Using the product	4
1.2 Certification and requirements.	5
1.3 Explanation of labels and symbols	6
1.4 Safety instructions and warnings.	7
2. On delivery.	9
2.1 Parts of the cot.	9
2.2 Assembly the cot.	10
3. Operating the cot	15
3.1 Using the hand control.	15
3.2 Operating the braking castors	16
3.3 Operation of the manual adjustments.	17
4. Operating of accessories	18
4.1 Operating of downward-slideable side.	18
4.2 Operation of side doors.	19
5. Assembling and disassembling the cot	20
5.1 Assembly of mattress support	20
5.2 Mounting of the pipe pin between shear arm and base	20
5.3 Removing the mattress support.	21
5.4 Mounting and removal of motors.	21

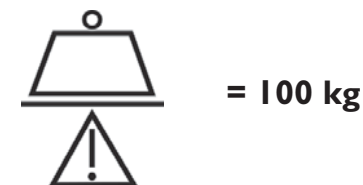
6. Cleaning and maintenance	23
6.1 Cleaning	23
6.2 Maintenance	23
6.3 Maintenance chart	24
7. Trouble-shooting the electrical system.	25
8. Electrical data	26
9. Technical specifications	27
9.1 Dimensions	27
9.2 Weights.	28
9.3 Transportation and storage conditions	28
10. Disposal	28

Foreword

Congratulations with your choice of the *Invacare*® **ScanBeta NG** cot.

- The total load on the **ScanBeta NG** cot should not exceed 100 kg. (SWL = Patient + mattress + sides + other equipment).
- The **ScanBeta NG** cot is designed for patients requiring residential or home care nursing, in hospitals and other healthcare institutions.
- The **ScanBeta NG** cot combines stability with ergonomic design, making it easy to disassemble and operate.
- The **ScanBeta NG** cot must only be used in accordance with this user manual and safety instructions.

Patient max. weight



Please read the entire user manual before using the cot.

You are welcome to contact *Invacare*® with any questions regarding the use or maintenance of the cot.

All instructions regarding left and right assume a patient is lying in the cot.

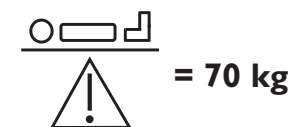
Please note that there may be sections of this user manual, that are not relevant for your cot, as the manual is applicable (at the time of publication) for all existing models.

I. General information

I.1 Intended use

- The **ScanBeta NG** cot has been designed for patients with limited mobility and for use in home care, hospitals and other healthcare institutions.
- The **ScanBeta NG** cot should only be used by patients whose body weight does not exceed 70 kg.
- The **ScanBeta NG** cot can be adjusted to give the patient good ergonomics and the carer a good working position.

Max. load (SWL)



Depending on the model, the backrest, leg and thigh section or the whole mattress support can be adjusted using either the hand control or manually.

1.2 Certification and requirements

Invacare® is certified according to DS/EN ISO 9001 and ISO 13485.

This ensures the customers, that the product is always supplied in a uniform quality.

Throughout the entire production process the materials and products are quality controlled by the operators.

Once the product is assembled, a final test is carried out. The operator performing the test, which also includes checking all moving parts, motors and castors, signs the receipt for the product with his/her personal QA-number.

If the product does not meet *Invacare*® stipulated quality requirements, the product will be rejected.

If, contrary to our expectations, there should be any problem with the product, please contact your local *Invacare*® supplier.

- The **ScanBeta NG** cot is **CE**-marked in accordance with Directive 93/42/EEC on medical equipment.
- The **ScanBeta NG** cot has undergone risk assessment in accordance with EN ISO 14971:2008.
- The **ScanBeta NG** cot has been approved in accordance with the Nordic Requirement Specification.
- The **ScanBeta NG** cot has been approved in accordance with EN 60601:1996-03 and EN60601-1-2.

I.3 Explanation of labels and symbols



WARNING - This symbol indicates danger.
If the necessary precautions are not taken, it may result in personal injury or damage to the cot.

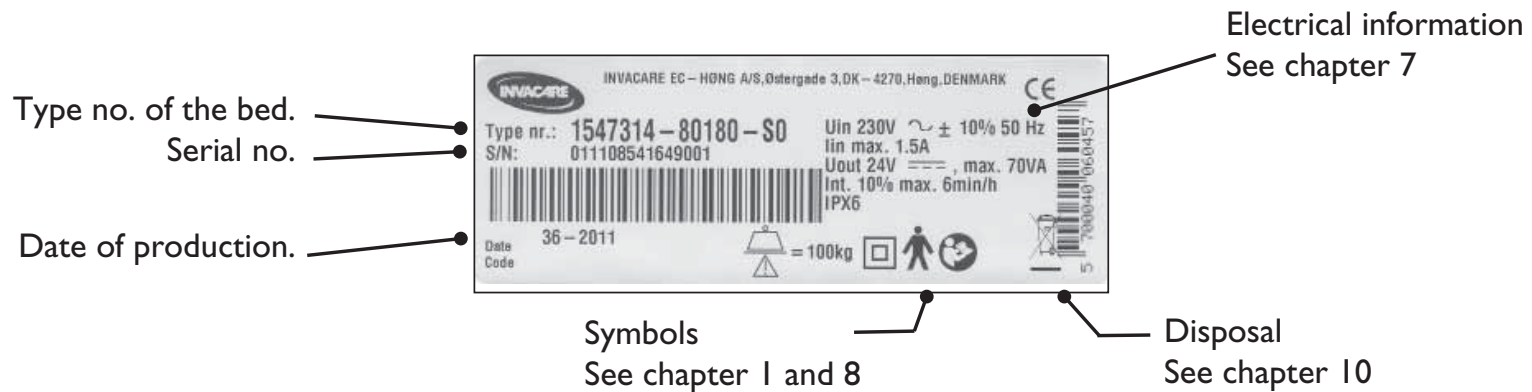


NOTE - This symbol indicates important information and instructions.



Instruction - Reference to the user manual.

To identify the cot, see product-label on the base.



1.4 Safety instructions and warnings

Before using the cot, **always** check the following:

- That the total load on the cot does not exceed 100 kg.
- That the cot is not damaged or does not function correctly for any reason.
- That the accessories for the cot are correctly fitted.



Invacare[®] does not accept any responsibility if used incorrectly, modified or assembled in any way other than described in the user manual. **ONLY** use approved accessories as stated in this user manual. Accessories that are not approved by *Invacare*[®] may not be used on the cot.



If the cot is damaged on delivery, it must not be used until the damage is rectified.
See delivery conditions.



The cot must not be used for patients over 12 years of age or by patients whose body size is the same as, or larger than, an average 12-year-old.



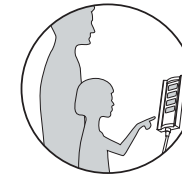
There is a risk that a patient might slip through the openings at the end of the cot. This may result in the patient becoming trapped or asphyxiated between the mattress support, bed sides and bed end plate.



When the cot is raised or lowered there may be a risk of the patient becoming trapped in between the moveable parts and mattress support.
Before adjusting the height, backrest, leg or thigh sections, the user must ensure that there are no blockages or persons close by that may hinder the movement of the cot.



It is recommended that the hand control is locked after each use.
Children must not play with the hand control.
If the hand control is used in an unauthorised way, there may be a risk that persons, especially children, may get trapped in or under the cot.



The patient must not use the hand control without prior assessment by care personnel



The mains cable must be kept clear of all moveable parts.
Pull the plug out of the wall socket before moving the cot.
The cables must be fitted so that they do not touch the floor or block the castors.



When the bed is not being used, the mains cable must be removed from the wall socket.



Due to the formation of condensation, the cot must not be used until it has reached a temperature of over 10°C.

2. On delivery

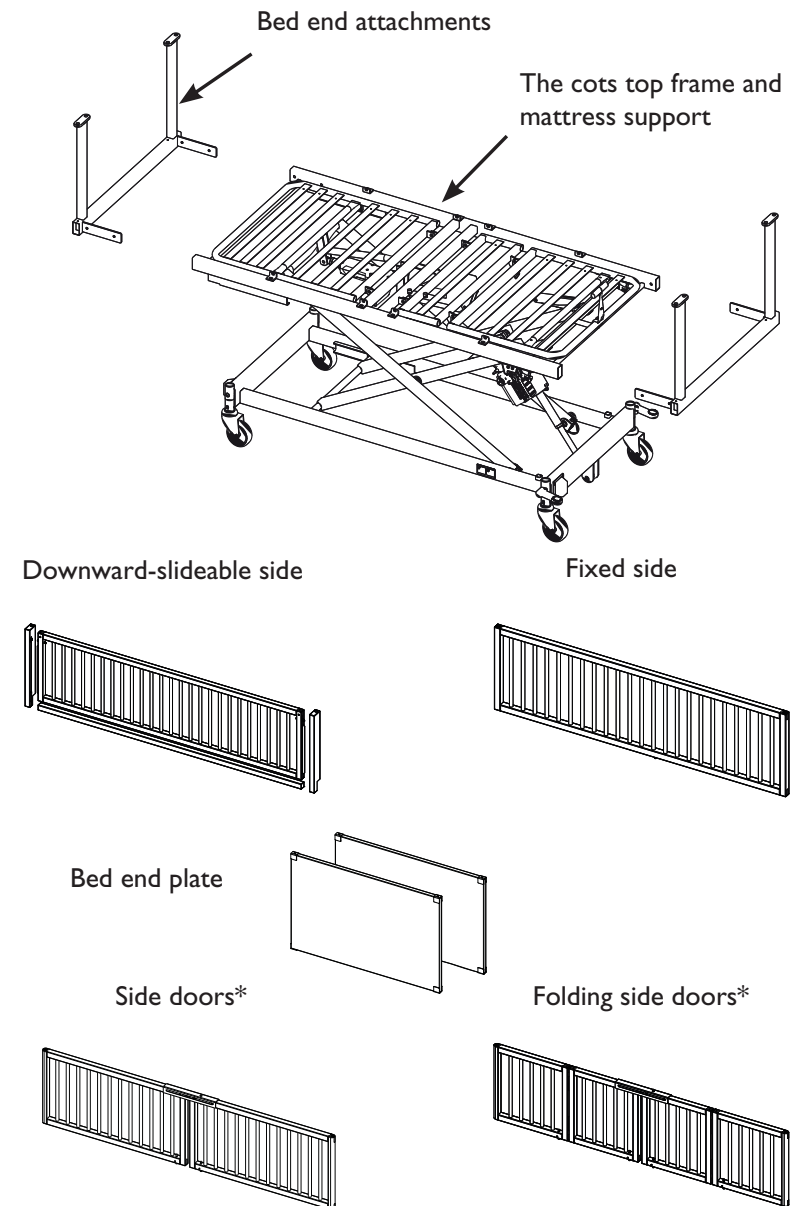
2.1 Parts of the cot

Check that the packaging/cot has not been damaged and that all parts are included. See illustration

There are several types of bed sides, and a cot may have the same type on both sides or have different types on each side. The bed end attachments and bed end plates should always be mounted on the cot in both ends.

There may be a difference between your product and the illustration, depending on which model and extra equipment you have chosen.

* The bed sides may be of plexi glass or laminate instead of wood. All illustrations in this user manual are shown wooden.



2.2 Assembling the cot



Be aware! Some parts of the cot are heavy. Always lift correctly.



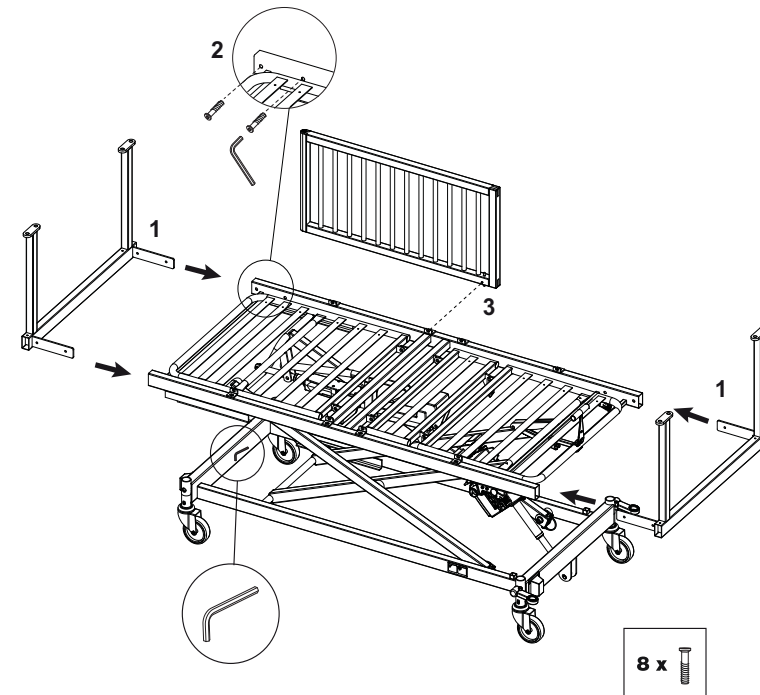
Always leave the cot in the lowest position. This is the safest position should a patient fall out of the cot.



Do not climb under the cot.

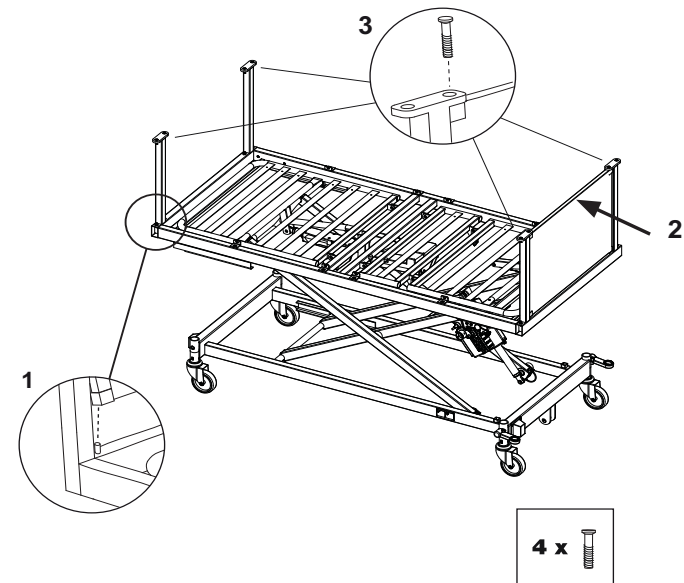
2.2.1 Fitting the bed end attachments

1. Place the two bed end attachments in the side frame tubes.
2. Tighten the 2 x screws in each corner using the hexagonal key, which is attached to the base frame.
3. The bed end attachments should be aligned.



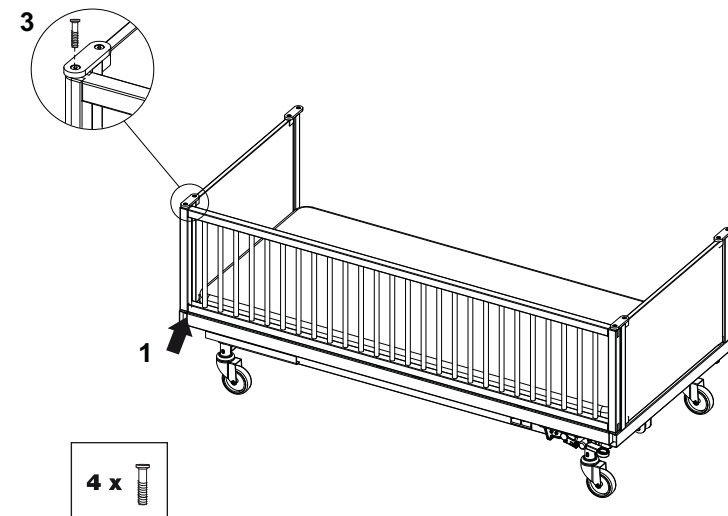
2.2.2 Mounting the bed end plates

1. Lift the bed end plate so that the guide pins in the top frame fit into the holes on the lower edge of the bed end plate.
2. Swing the upper edge of the bed end plate in towards the top of the bed end pieces so that the holes in the top of the cot end plate are flush with the holes in the bed end piece.
3. Secure the cot end plate using the 2 screws provided.
4. Repeat steps 1-3 for the opposite bed end plate.
5. Please ensure that the bed end plate is securely mounted and tightened.



2.2.3 Mounting the fixed bed sides

1. Place the fixed bed side so that the guide pins in the side frame tube can be guided into the brass bush on the bottom of the lattice.
2. Swing the upper edge of the fixed bed side in towards the bed end piece, so that the holes in the brass bush are flush with the holes and the guide pin fits.
3. Secure the fixed bed side using the two screws provided.
4. Please ensure that the fixed bed side is securely mounted and tightened.

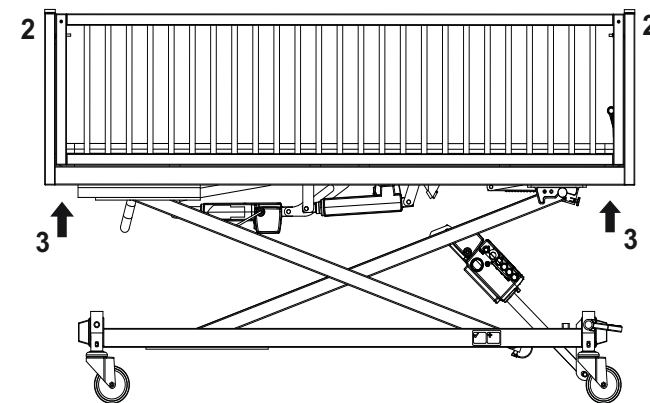
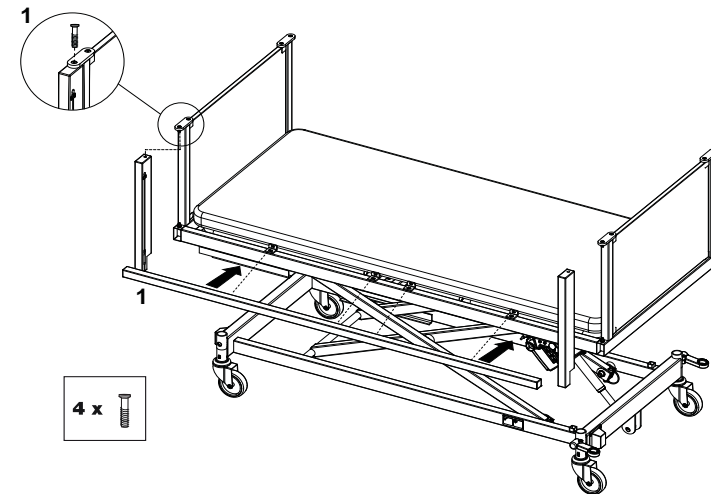


2.2.4 Mounting the downward-slideable side

1. Mount the wooden post to the corner posts and mount the wooden rail on the side frame tube with the included screws.

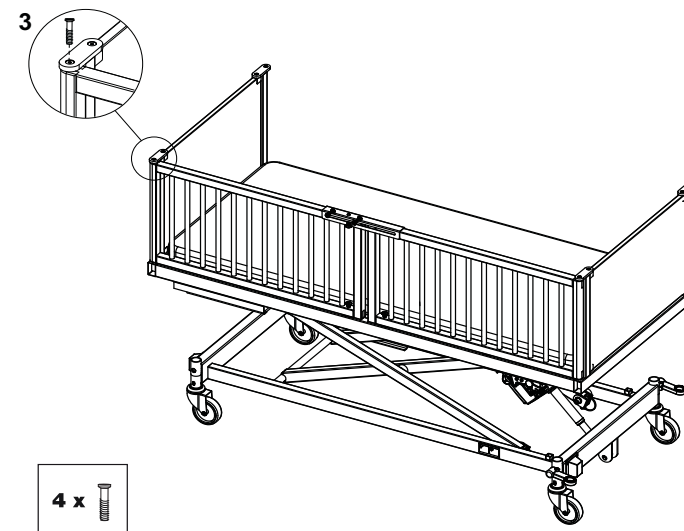
NOTE! The slots must face in towards each other.

2. Activate the locking pins on each side of the cot side.
3. Guide the plastic rail on the downward-slideable side up from below and into the slot on the wooden post.
4. Lift the downward-slideable side up with both hands until the locking pin clicks into place in the hole on the wooden post.
5. Please ensure that both locking pins are secure by lifting the downward-slideable side lightly up and down



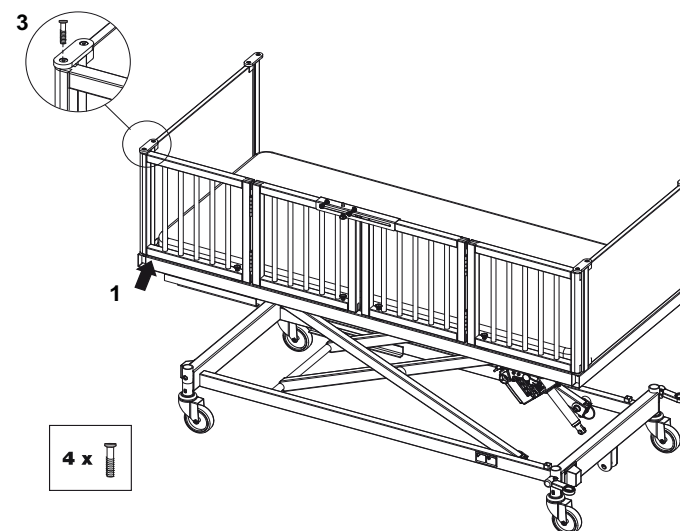
2.2.5 Mounting the side doors

1. Place the door so that the guide pin in the side tube is fitted into the brass bush on the bottom of the doors. To facilitate this, make sure that the bed end pieces are aligned.
2. Swing the upper edge of the door towards the bed end piece, so that the brass bush and the guide pin fits with the hole in the corner mounting on top of the corner post.
3. Secure the door using the screws provided
4. Repeat points 1-3 for the other side.
5. Please ensure that both doors are securely mounted and tightened and that the doors can be opened and closed without binding.



2.2.6 Mounting the folding side doors

1. Place the folding doors so that the guide pin in the top frame fit into the brass bush on the bottom of the doors. To facilitate this, make sure that the bed end pieces are aligned.
2. Swing the upper edge of the folding door in towards the bed end piece, so that the holes in the brass bush on the upper edge fit with the holes on top of the corner post.
3. Secure the side bars using the two screws provided.
4. Please ensure that the folding doors are securely mounted and tightened and that the doors can be opened and closed without binding.



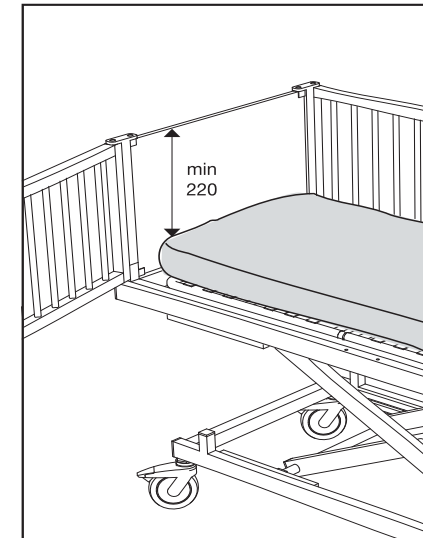
2.2.6 Mattresses

The following mattresses can be used

Cot sizes	Mattress sizes	Incontinence cover Part No.	Cotton cover Part No.
140x60	140x60	1514560	1547664
160x70	160x70	1514561	1547529
180x80	180x80	1514562	1547528



There must be a minimum 220 mm from the top of the mattress to the top of the bed end plate.



2.2.7 Other accessories

Fitting and use of accessories can be found in manuals supplied with the accessories

The following accessories are approved for use in **ScanBeta NG** cot.

- Lifting pole
- Padding
- Support handle

3. Operating the cot

3.1 Using the hand control.

The cot is equipped with a hand control that, depending on the model, can have different functions.

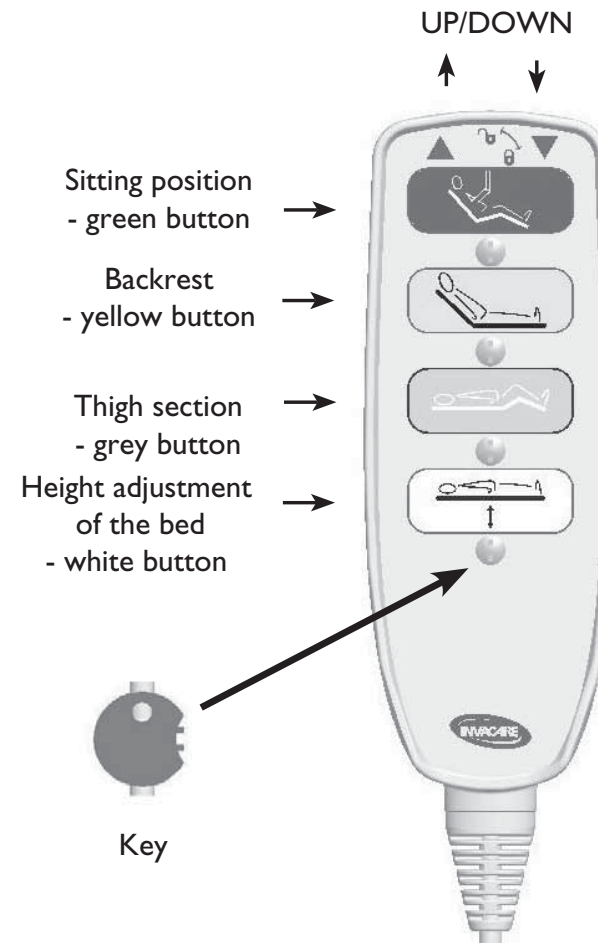
The hand control is equipped with a key that locks the bed's functions.



When the cot is in the right position, lock all functions to prevent unwanted movement of the cot.

Key for locking and unlocking the electrical functions

Insert the key below each button to respectively lock and unlock the hand control functions.



3.2 Operating the braking castors



In some instances, the castors can mark certain types of floor, e.g. untreated wooden floors. If in doubt, *Invacare*® recommends that a suitable protective covering is laid between the castors and the floor.

3.2.1 Operating castors without a central braking system

When the cot is in the desired position, at least one castor at the head end and one castor in the foot end must be locked.

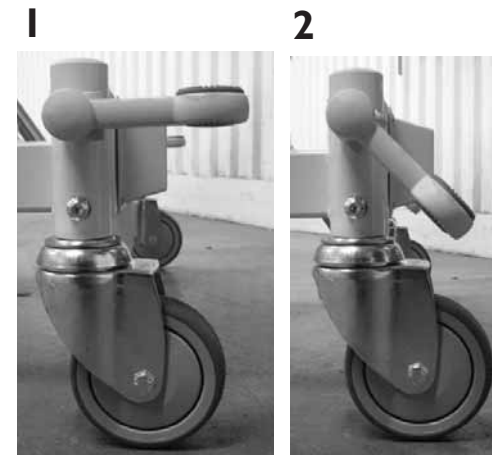
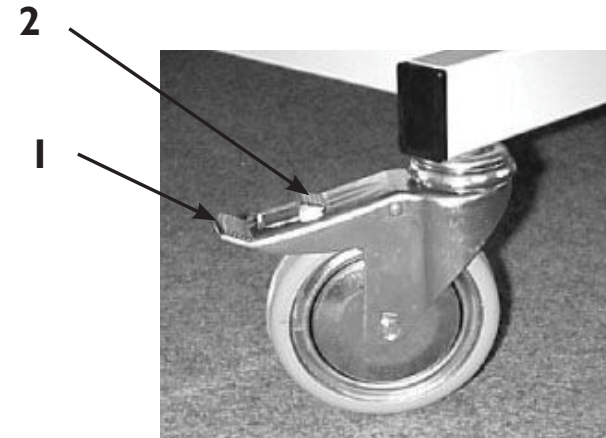
1. **Lock:** Step on the outer part of the pedal.
2. **Releasing:** Step on the release pedal.

Do not attempt to release the brake with your fingers as they may get caught.

3.2.2 Operating castors with central braking system

When the cot is in the desired position, the brakes must be applied.

1. **Neutral:** When the pedal is in the horizontal position, the brakes are not activated and the cot can be moved.
2. **Brake:** Depress the pedal to activate the brake.



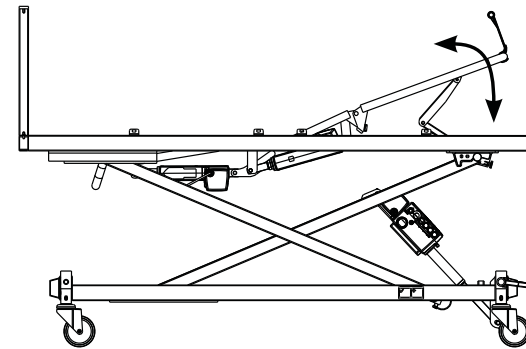
3.3 Operation of the manual adjustments

- Angle setting:

1. The angle of the leg section is adjusted by lifting the leg section frame to the desired position.
2. Lower the frame carefully until the rastofix mounting locks into place.

- Horizontal setting:

1. Lift the leg section until the rastofix mounting disengages.
2. Lower the leg section carefully to the horizontal position.



4. Operating of accessories

4.1 Operating of downward-slideable side.



There is a risk that the downward-slideable side may fall down, resulting in slight injury e.g. to the feet. Keep a firm grip on the downward-slideable side during operation.

- Down

1. Lift slightly and then release the locking pin on both sides.
2. Pull the downwards-slideable side carefully down with both hands.
3. When the downwards-slideable side is in the lowest position, the locking pins will click into place in the lowest holes in the wooden post.

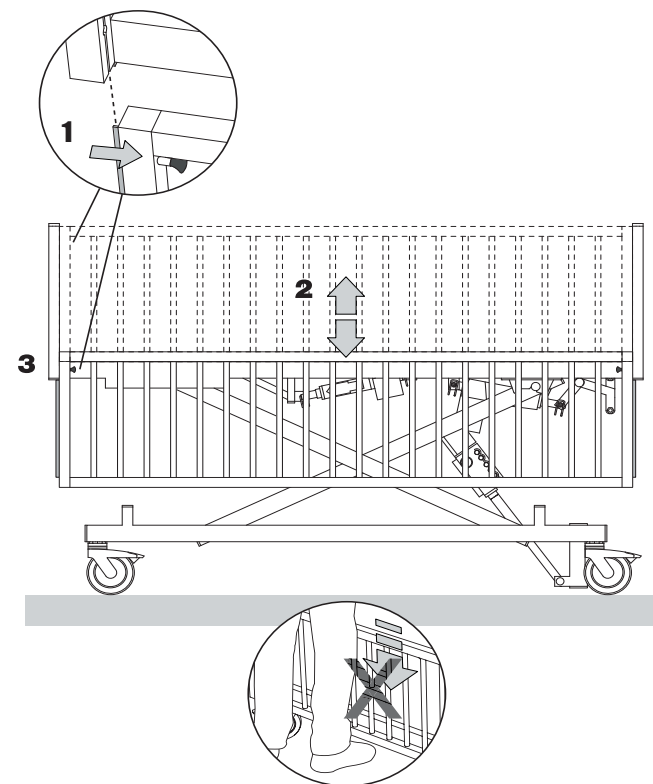
- Up

1. Release the locking pin on both sides.
2. Lift the downwards-slideable side carefully up with both hands.
3. When the downwards-slideable side is in the highest position, the locking pins will click into place in the uppermost holes in the wooden post.
4. Always check that both locking pins are correctly positioned in the holes in the wooden posts.

- Demounting

1. Open the downward-slideable side.
2. Release the locking pins with both sides.
3. Lower the downward-slideable side carefully out of the slots.
4. The downward-slideable side is removed.

18



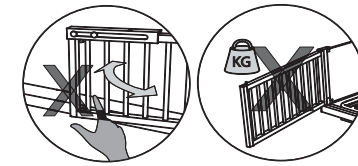
4.2 Operation of side doors.



Be careful not to get fingers caught when opening and closing the doors.



When the door is open, it must not have weight put on it as the cot may tip over. The maximum angle of opening is 90°.



- Open

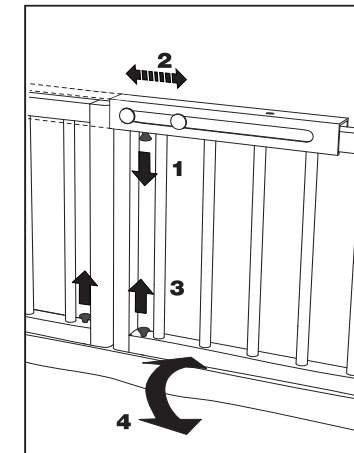
The child lock bracket is opened as follows:

1. Pull down on the locking pin at the top of the door.
2. Push the rail to one side.
3. Pull up the locking pins on the bottom of the doors.
(Folding doors have 2 locking pins on each door).
4. Open the doors.

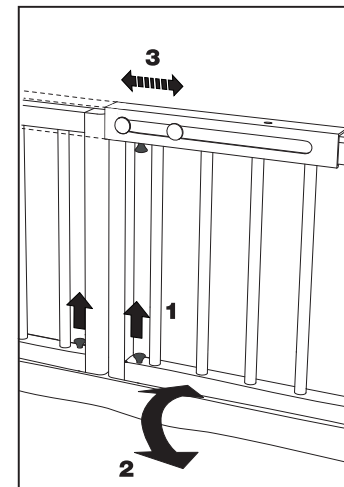
- Close

1. Pull the locking pin on both doors at the bottom of the door up.
2. Close the doors. Ensure that the locking pin fits the hole in the side rail.
3. Push the rail to one side until the locking pin is located.
4. Please ensure that the doors are safely and securely closed.

Open



Close



5. Assembling and disassembling the cot

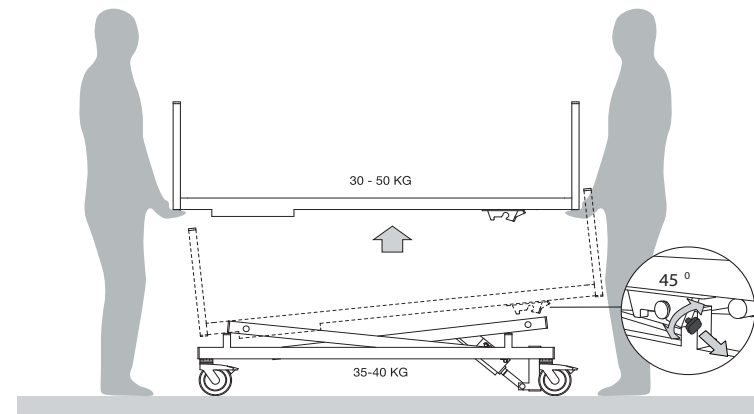


There must be at least two persons to assemble / disassemble the mattress support.

Be careful not to get fingers caught when assembling the cot.

5.1 Assembly of mattress support

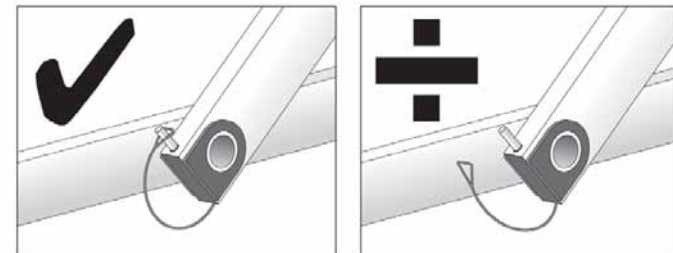
1. Lift the mattress support up over the base.
2. Carefully lower the mattress support so that the gliding shoes slide into the gliding rail on both sides of the base.
3. Carefully lower the foot end, so that the axle ends drop into the spring lock.
4. Lock the spring lock by pulling the red button out and turning it 45° anti-clockwise until it locks.
5. The motors may need to be mounted once again. (see section 5.3)
6. Please ensure that the cot is properly assembled and that both spring locks are in place and locked.



5.2 Mounting of the pipe pin between shear arm and base

1. The pipe pin must be mounted with the opening upwards and locked.
2. Make sure that the pipe pins are fully inserted through both holes of the tubular section, and that the spring clip is fully engaged onto the bed end of the pin prior to operating the lifting mechanism on the bed.
3. Check that all four plastic bushings are intact and located correctly between shear arm/base and shear arm/top frame.

Do not pull the clamp part of the pipe pin during dismantling – the clamp may be deformed, thus being unable to lock properly.



5.3 Removing the mattress support

1. Please ensure that the motors are removed, whether they are mounted directly on the mattress support, or between the mattress and the base. These must be removed before the mattress support can be removed. (See Chapter 5.3 for removal of motors).
2. Release the two spring locks by pulling the red button completely out and turning it 45° clockwise.
3. Lift the cot end closest to the snap spring locks.
4. Pull the mattress support backwards so that the gliding shoes can slide along the groove in the slide rails.
5. Lift the mattress support at both ends.



Make sure that the castors are locked.

5.4 Mounting and removal of motors



Pull the mains cable out of the wall socket before removing the motor.



The cables must be fitted so that they cannot get caught in the cot's moveable parts.



If the height adjustable motor is to be removed, there must be a minimum of two persons to hold the mattress support and one to remove the motor.

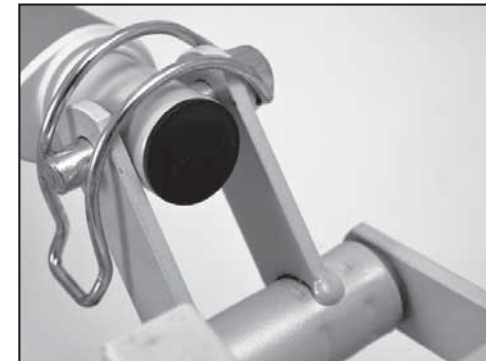
If motors with integrated control units have to be removed / mounted, all cable connections to the other motors, as well as to the hand control, must be removed / fitted.

All control units have a lock cam that must be loosened before the plugs can be pulled out of the control unit.

1. Release the lock cam by pressing the small locking pins out with a screwdriver.
2. When mounting is complete, the lock cam must be fitted again.
3. Press down on the lock cam so the locking pins engage.

- Mounting the motor

1. Place the motor in the fork mounts and pull the split pin through.
2. Lock the split pin.
3. Insert the plugs into the control unit. Take care that the plug is the right way round and inserted correctly into the control unit.
4. Replace the lock cam.
5. Make sure that all the working parts function correctly.



- Removing the motor

When removing the height adjustable motor, the mattress support must be held up by two persons.

1. Remove the lock cam and pull the cables out of the control unit.
2. Open the split pins at both ends of the motor and pull them out.
3. The height adjustable motor can now be removed and the mattress support lowered into the lowest position.

(On some models, the ends of the motor are secured by bolts and these must be removed).



6. Cleaning and maintenance

6.1 Cleaning



Before cleaning the cot, ensure that the mains cable is removed from the wall socket.

The **ScanBeta NG** cot cannot withstand cleaning in washing machines or by high pressure water jets.

- Clean with a soft wrung out cloth.
- Use only neutral liquid cleaning fluids without solvents.
- Cleaning of electrical parts must be done using a dry cloth.

6.2 Maintenance



Service and maintenance of the **ScanBeta NG** cot must only be carried out by personnel, who have undergone the necessary training and instruction.

- Before use

Ensure that all manual and electrical parts function correctly and are safe to use.

- After 3 months use

Ensure that all manual and electrical parts and tighten all bolts, screws, nuts, etc.

- Annually

Service must be carried out in accordance with the service and maintenance chart.
See Chapter 6.3, “Maintenance chart”.

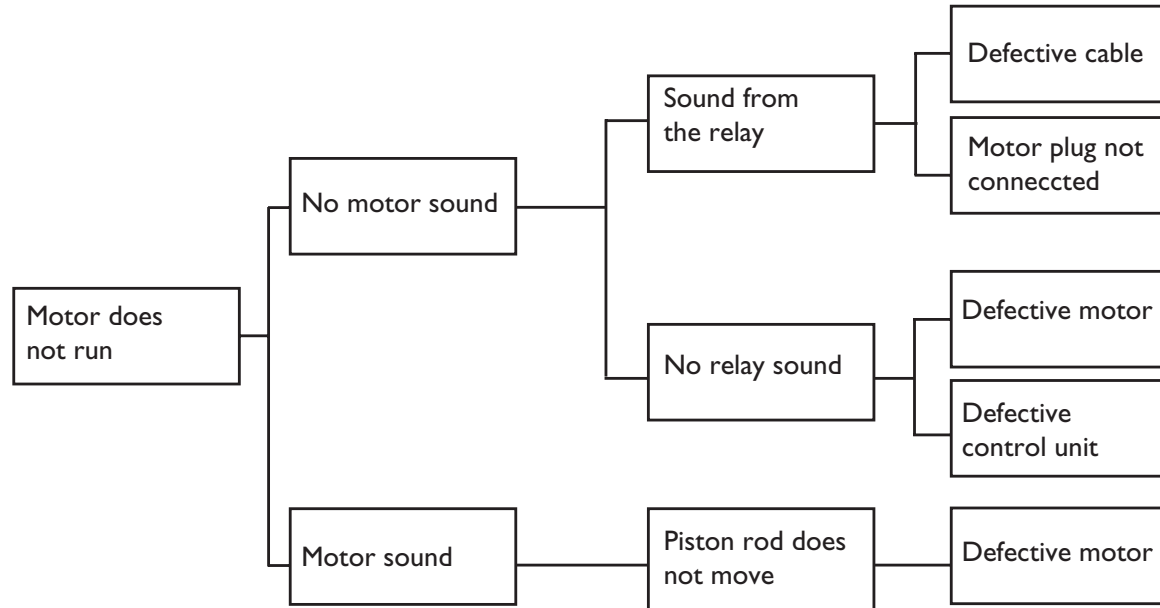
6.3 Maintenance chart

<p>Service and maintenance of the <i>ScanBeta NG</i> must <u>only</u> be carried out by personnel who have undergone the necessary instruction or training.</p> <p>Serial no. (placed on the cot base): _____</p>					
Date:	Initials:				
Circlips, split pins and plastic fixing ring checked.					
Screws, bolts and nuts tightened.					
Weldings checked.					
Castors brakes checked.					
Height adjustment-, backrest- and leg-motor checked.					
Cables correctly suspended and undamaged. Plug undamaged.					
Damaged coating repaired.					
Wooden parts and doors checked					
Accessories checked.					

A service contract can be taken out in the countries where *Invacare*® has its own sales company. *Invacare*® can also offer courses in the service and maintenance of the ***ScanBeta NG***.

7. Trouble-shooting the electrical system.

- Make sure that the main cable is connected.



8. Electrical data

Voltage supply:	230 V AC/50 Hz.
Max. current input:	1 A.
Intermittent (periodic use of motors):	10%, max. 6 minutes/hour.
Max. accumulator capacity:	1,2 Ah.
Protection class for motors:	IP 66.
Protection class for hand control:	IP 54.
Sound level:	55 dB (A).

Double insulated, class II, type B:



Alternating current: 

Direct current: 

The patient is not separated from the earth and the chassis:



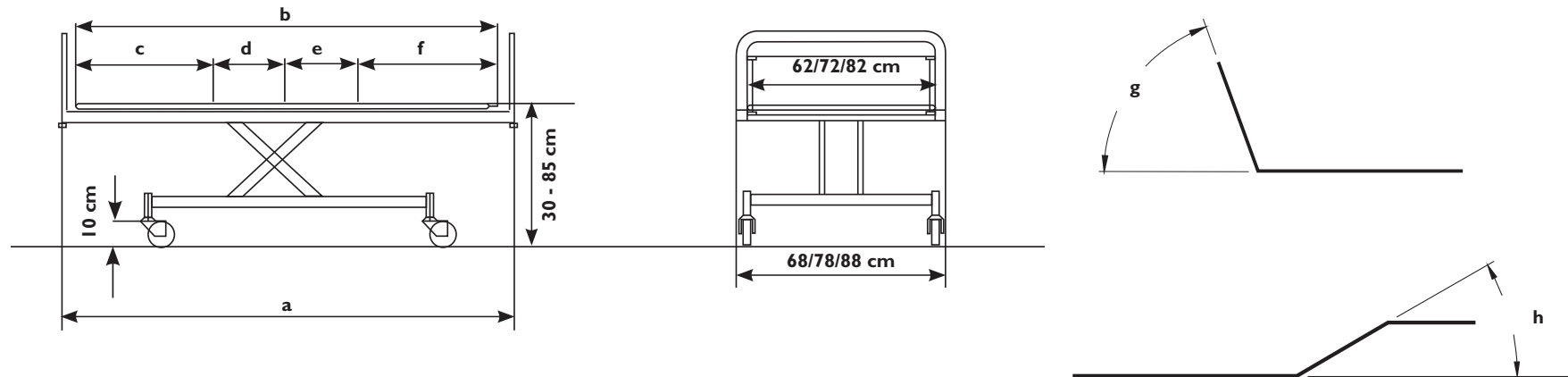
The control unit has no circuit breaker. Disconnection from the mains is therefore the only means of switching off the power supply.

9. Technical specifications

9.1 Dimensions

All measurements are given in mm. All measurements and angles are given without tolerances.

Invacare® reserves the right to change the stated measurements and angles without further notice.



L / W	60 cm	70 cm	80 cm
a (mm)	1480	1680	1880
b (mm)	1364	1564	1764
c (mm)	621,5	671,5	751,5
d (mm)	70	150	190
e (mm)	212	222	271,5
f (mm)	460,5	520,5	551
g	73°	73°	73°
h	36°	31°	27°

9.2 Weights

Weight chart		
Cot parts/size	70x160	80x180
Mattress support	31 kg	38 kg
Base with shear	47 kg	47 kg
Wooden bed end	13,5 kg	14,5 kg
Cot total	91,5 kg	99,5 kg

9.3 Transportation and storage conditions

- Temperature between -10° and 50° C
- Relative humidity between 10 and 80 % RH
- Air pressure between 700 and 1.100 hPa

10. Disposal

This product has been supplied by an environmentally aware manufacturer in compliance with the Waste Electrical and Electronic Equipment (WEEE) Directive 2002/96/CE.

This product may contain substances that could be harmful to the environment unless disposed of in accordance (land fills) with current legislation.

The crossed out wheelie bin symbol is placed on this product to encourage you to recycle wherever possible.

Please be environmentally responsible and recycle this product through your local recycling facility at the end of its life.



Indholdsfortegnelse

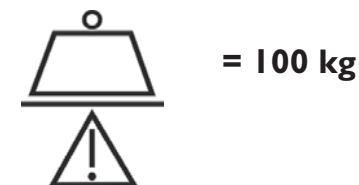
1. Generel information	4
1.1 Produktanvendelse	4
1.2 Certificering og krav	5
1.3 Symbolforklaring	6
1.4 Sikkerhedsforskrifter og advarsler	7
2. Modtagelse af sengen	9
2.1 Sengens dele	9
2.2 Samling af sengen	10
3. Betjening af sengens funktioner	15
3.1 Betjening af håndbetjening	15
3.2 Betjening af bremsehjul	16
3.3 Betjening af sengens manuelle funktioner	17
4. Betjening af tilbehør	18
4.1 Betjening af nedfældbar tremmeside	18
4.2 Betjening af side tremmelåger	19
5. Montage og demontage af sengen	20
5.1 Montering af liggeflade	20
5.2 Montage af rørsplit mellem saks og understel	20
5.3 Afmontering af liggeflade	21
5.4 Montering og afmontering af motorer	21

6. Rengøring og vedligeholdelse	23
6.1 Rengøring	23
6.2 Vedligeholdelse	23
6.3 Serviceskema	24
7. Fejlsøgning i det elektriske system	25
8. Elektriske data	26
9. Tekniske specifikationer	27
9.1 Mål	27
9.2 Vægt	28
9.3 Transport og opbevaringsforhold	28
10. Bortskaffelse	28

Forord

Tillykke med Deres valg af *Invacare*[®] **ScanBeta NG** barneseng.

- **ScanBeta NG** sengens samlede vægtbelastning må ikke overstige 100 kg. (SWL = patient + madras + sider + andet tilbehør).
- **ScanBeta NG** er konstrueret til brug i private hjem, hjemmeplejen, på hospitaler og institutioner.
- **ScanBeta NG** forener stabil konstruktion og ergonomisk korrekt design med nem adskillelse og betjening.
- **ScanBeta NG** barneseng må kun anvendes i overensstemmelse med denne vejledning og sikkerhedsforskrifter.



Læs hele brugermanualen igennem, inden sengen tages i brug.

Hvis de har spørgsmål vedrørende anvendelse eller vedligeholdelse, er de velkommen til at kontakte *Invacare*[®].

Al angivelse af højre og venstre forudsætter, at man ligger på ryggen i sengen.

Vær opmærksom på, at der kan forekomme afsnit i denne brugermanual, der ikke er relevant for Deres seng, idet brugermanualen er gældende for alle (på udgivelsestidspunktet) eksisterende modeller.

I. Generel information

I.1 Produktanvendelse

- **ScanBeta NG** barneseng er udviklet til brugere med begrænset mobilitet og til anvendelse på hospitaler, institutioner mv.
- **ScanBeta NG** må kun anvendes til brugere, hvis vægt ikke oversiger 70 kg.
- **ScanBeta NG** kan højdejusteres og derved give brugeren eller hjælperen en god ergonomi og arbejdsstilling.



Afhængig af modellen kan ryglæn, bendel, lårdel eller hele liggefladen justeres enten ved at anvende en håndbetjening eller manuelt.

I.2 Certificering og krav.

Invacare[®] er certificeret i henhold til DS/EN ISO 9001 og ISO 13485. Dette sikrer kunderne, at produktet altid leveres i en ensartet kvalitet.

Gennem hele produktionen kvalitet kontrolleres emnerne og produkterne af operatørerne. Når produktet er færdigmonteret, foretages slutaftprøvning. Operatøren, der foretager denne slutaftprøvning, som bl.a. indeholder kontrol af alle bevægelige dele, motorer og hjul, kvitterer ved at sætte sit personlige QA-nummer på produktet.

Hvis produktet ikke lever op til *Invacare's*[®] fastsatte kvalitetskrav, vil produktet blive kasseret.

Skulle der mod forventning opstå problemer med det leverede produkt, bedes henvendelse rettes til *Invacare*[®] leverandøren.

- **ScanBeta NG** er **CE**-mærket i henhold til Direktiv 93/42/EØF om medicinsk udstyr.
- **ScanBeta NG** har gennemgået risikoanalyse i henhold til EN ISO 14971:2008.
- **ScanBeta NG** er godkendt i henhold til Nordic Requirement Specification
- **ScanBeta NG** motorer og styring er godkendt i henhold til EN 60601:1996 og EN60601-1-2.

I.3 Symbolforklaring



ADVARSEL - Dette symbol advarer om farer.
Hvis der ikke tages de fornødne foranstaltninger, kan det medføre personskade eller skade på sengen.

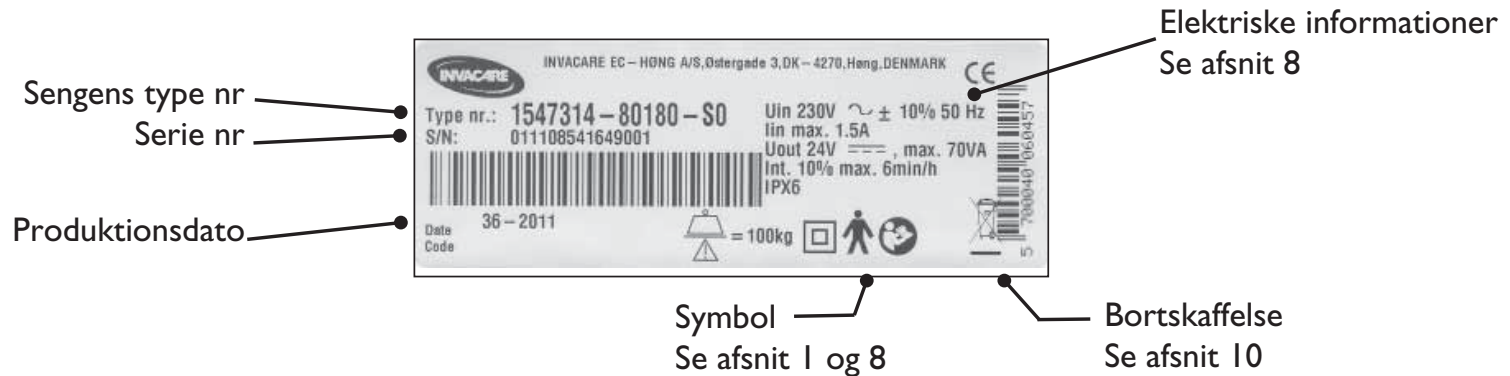


BEMÆRK - Betyder vigtige oplysninger og vejledninger



Instruktion - Henvisning til manualen

For at identificere sengen, se typeskiltet der er placeret på underrammen.



I.4 Sikkerhedsforskrifter og advarsler.

Kontroller **altid** følgende inden sengen anvendes:

- Sengens samlede vægtbelastning ikke overstiger 100 kg.
- Sengen ikke er beskadiget eller på anden måde ikke fungerer.
- Sengens tilbehør er forsvarligt monteret.



Invacare[®] påtager sig intet ansvar, hvis produktet anvendes forkert, forandres eller sættes sammen på anden vis end beskrevet i denne brugermanual. Tilbehør, som ikke er godkendt til anvendelse på sengen af *Invacare*[®], eller nævnt i denne brugermanual må IKKE anvendes.



Hvis sengen er beskadiget ved levering, må sengen ikke anvendes før skaden er udbedret. Se leveringsbetingelserne.



Sengen må ikke anvendes af brugere over 12 år eller af brugere, hvis kropstørrelse svarer til eller er større end en gennemsnits 12 årig.



Der er en risiko for, at brugeren kan glide ud igennem åbningerne for enden af sengen. Dette kan medføre risiko for klemning / kvælning mellem liggeflade, tremmesider og gavle.



Når sengen hæves eller sænkes er der risiko for klemning mellem sengens bevægelige dele og sengens liggeflade. Før justering af sengens højde, ryglæn, bendel eller lårdel skal brugeren sikre sig, at der ikke er hindringer eller personer i umiddelbar nærhed af sengen, der kan forhindre sengens bevægelse.



Det anbefales at håndbetjeningen låses efter endt brug.

Børn bør ikke lege med håndbetjeningen.

Der er risiko for at personer, specielt børn, kan komme i klemme i eller under sengen, ved utilsigtet brug af håndbetjeningen.



Brugeren må ikke betjene sengens håndbetjening uden en forudgående vurdering af plejepersonalet.



Netledningen bør holdes væk fra sengens bevægelige dele.

Træk stikket ud af stikkontakten inden sengen flyttes.

Ledningerne skal være monteret på en sådan måde, at de ikke rører gulvet og ikke blokerer hjulene.



Når sengen ikke anvendes bør netledningen tages ud af stikkontakten.



Af hensyn til dannelsen af kondens må sengen ikke anvendes, før den har en temperatur på over 10°C

2. Modtagelse af sengen.

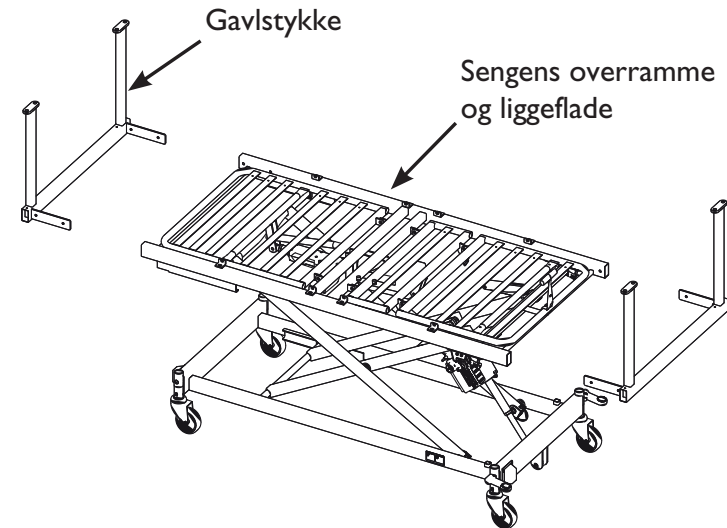
2.1 Sengens dele.

Kontroller at emballagen/sengen ikke er beskadiget og at alle dele forefindes. Se illustration.

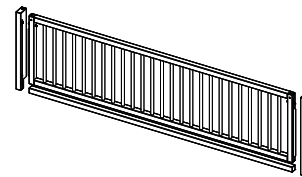
Der findes flere typer sengesider, og en seng kan indeholde samme type sengeside på begge sider eller en forskellig type side på hver side. En seng indeholder altid to gavlstykker og to gavlplader.

Difference mellem Deres aktuelle produkt og illustrationen kan forekomme afhængig af hvilken model, samt ekstra udstyr De har valgt.

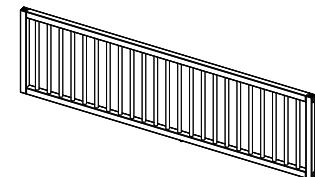
* Sengesiderne kan være med plexiglas eller finér i stedet for trætræmmer. Alle illustrationer i denne brugermanual er vist med trætræmmer.



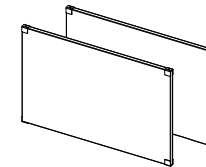
Nedfældbar tremmeside*



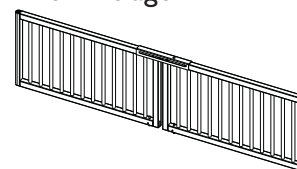
Fastmonteret tremmeside*



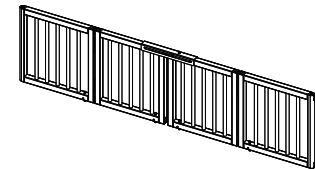
Gavle



Tremmelåge*



Folde tremmelåger*



2.2 Samling af sengen.



Vær opmærksom på, at nogen af sengens dele er tunge. Løft altid korrekt.



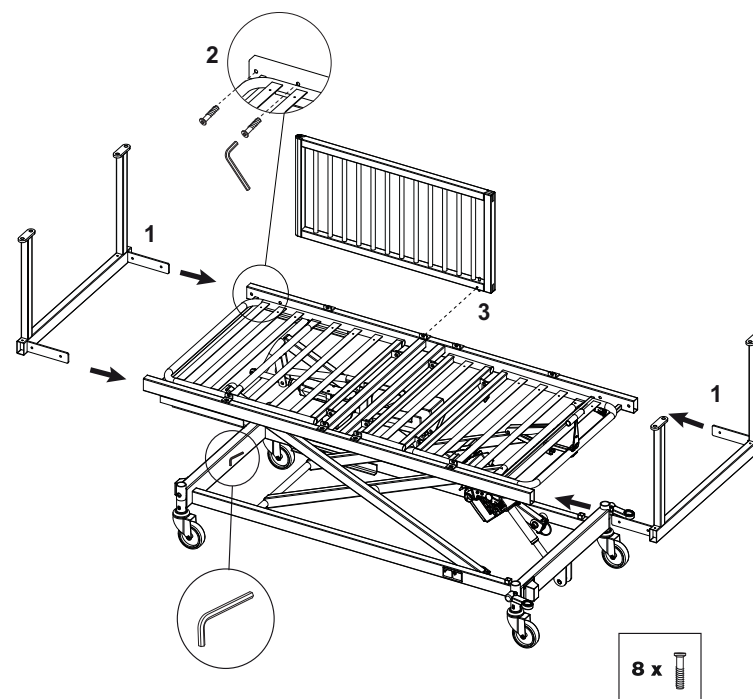
Efterlad altid sengen i laveste position. Dette er den mest sikre position, i tilfælde af at brugeren skulle falde ud af sengen.



Der må ikke opholde sig personer under sengen.

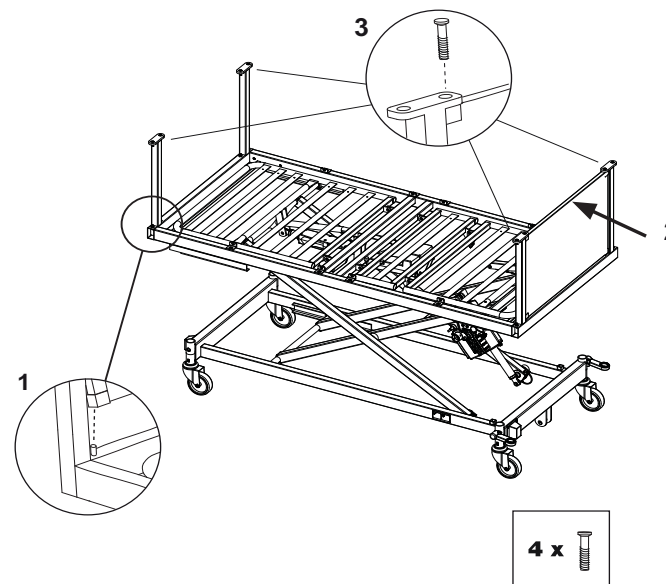
2.2.1 Montage af gavlstykke.

1. Placer de to gavlstykker i siderørene.
2. Fastspænd 2 x skruer på alle fire hjørner med den medfølgende sekskantsnøgle, som er placeret på understellet.
3. Det er vigtigt at gavlstykkerne er justeret ind så de er lige.



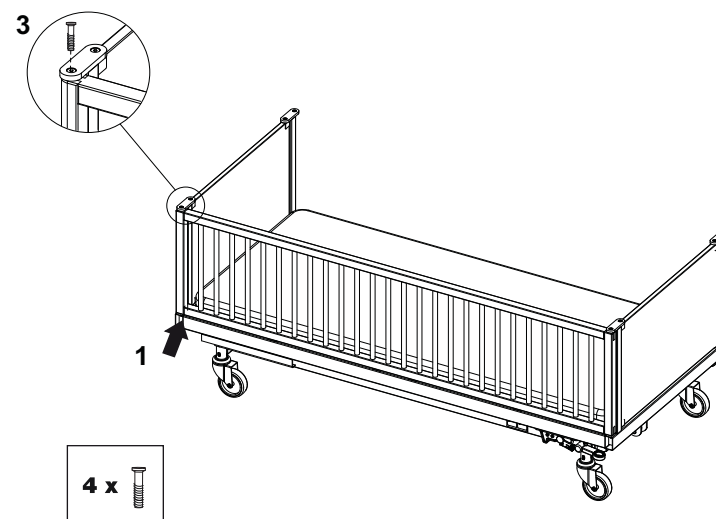
2.2.2 Montage af gavle.

1. Anbring gavlen således at de to styrestifter i sengens overramme styres ned i hullerne på undersiden af gavlen.
2. Sving gavlens overside ind mod gavlstykkets top, således at hullerne i oversiden af gavlen passer med hullerne i hjørnebeslaget.
3. Fastspænd gavlen med de 2 medfølgende skruer.
4. Gentag punkt 1-3 for den modstående gavl.
5. Kontroller at gavlen er forsvarligt monteret og fastspændt.



2.2.3 Montage af fast tremmeside.

1. Anbring tremmesiden således at styrestifterne i sengens overramme styres ind i messingbøsningerne på undersiden af tremmesiden.
2. Sving tremmesidens overside ind mod gavlstykkerne således hullerne i messingbøsningerne på oversiden passer med hullerne i toppen af gavlstykkerne.
3. Fastspænd tremmesiden med de to medfølgende skruer.
4. Kontroller at tremmesiden er forsvarlig monteret og fastspændt.

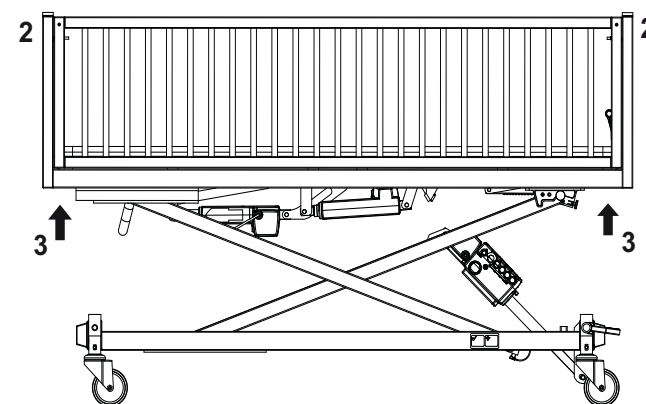
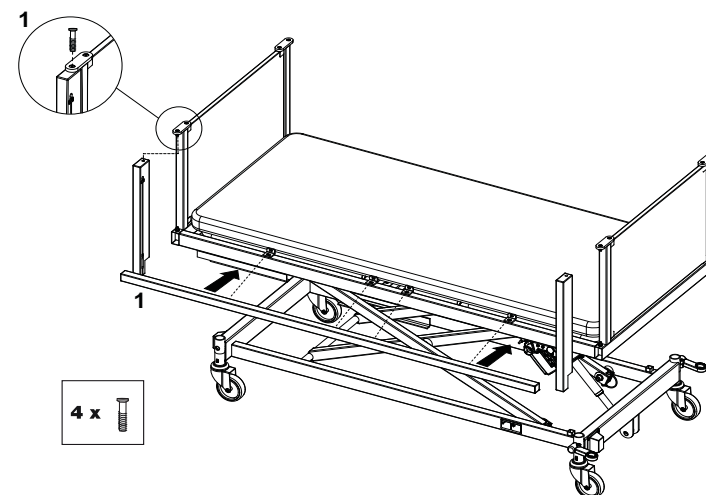


2.2.4 Montage af nedfældbar tremmeside.

1. Monter træstolperne på gavlstykkerne og monter træfenderlisten på siderøret med de medfølgende skruer.

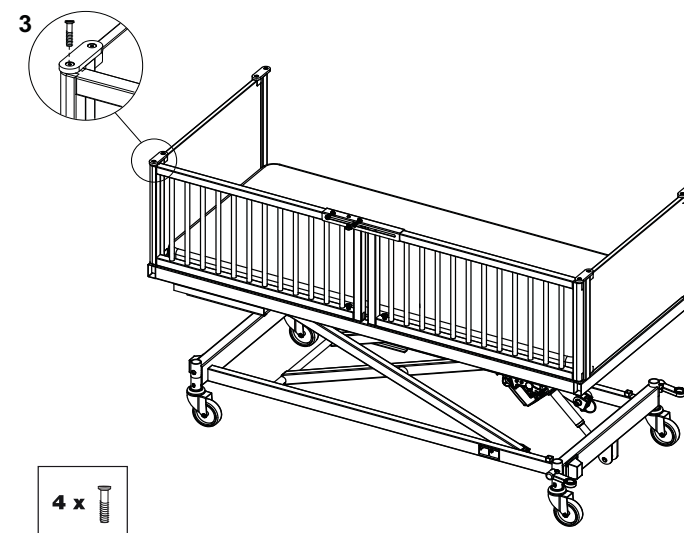
BEMÆRK! Slidserne skal vende ind mod hinanden.

2. Låsesplitterne i hver side på tremmesiden aktiveres.
3. Plastskinnen på tremmesiden føres op nedefra i slidsen på træstolpen.
4. Løft tremmesiden op med begge hænder, indtil låsesplitten klikker ind i hullet på træstolperne
5. Kontroller at begge låsesplitter er i indgreb ved at løfte let op og ned i tremmesiden.



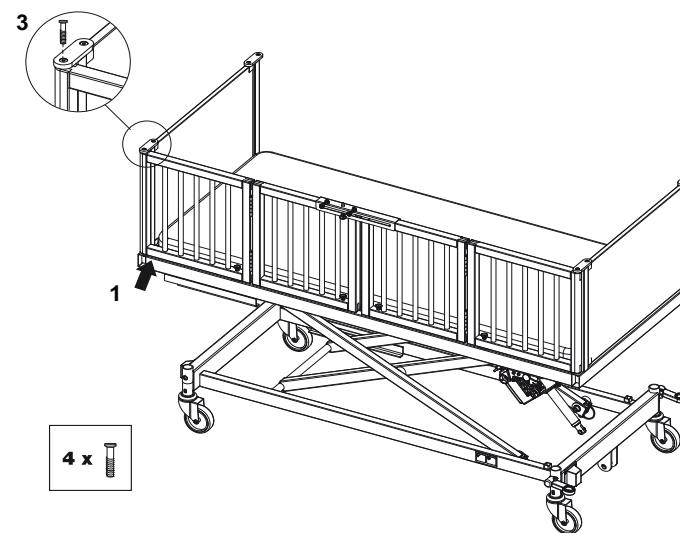
2.2.5 Montage af tremmelåger.

1. Anbring lågen, således at styrestiften på siderøret styres ned i messingbøsningen på undersiden af lågen. Det er muligt at justere lågen ind, ved at justere på gavlstykket.
2. Sving lågens overside ind mod gavlstykket, således at hullet i messingbøsningen på oversiden af lågen passer med hullet i toppen af gavlbeslaget.
3. Fastspænd lågen med de medfølgende skruer.
4. Gentag punkt 1-3 for den anden side.
5. Kontroller at begge låger er forsvarligt monteret og fastspændt, samt at lågerne kan åbnes og lukkes uden at gå imod hinanden.



2.2.6 Montage af folde tremmelåger.

1. Anbring folde lågen således at styrestiftene i sengens overramme falder i messingbøsningerne på undersiden af lågen. Det er muligt at justere lågen ind ved at justere på gavlstykket.
2. Sving folde lågens overside ind mod gavlstykkerne således hullerne i messingbøsningerne på oversiden passer med hullerne i toppen af gavlbeslaget.
3. Fastspænd folde lågen med de medfølgende skruer.
4. Kontroller at folde lågen er forsvarlig monteret og fastspændt, samt at lågerne kan åbnes og lukkes uden at gå imod hinanden.



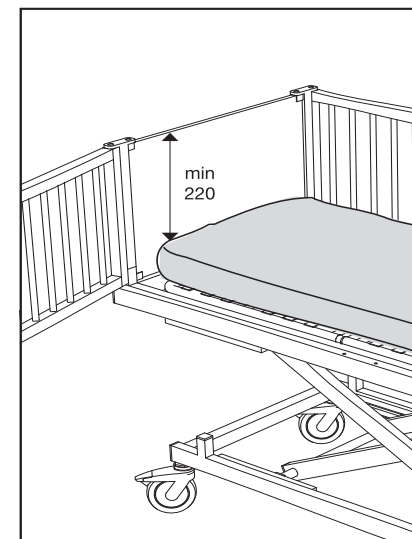
2.2.6 Madrasser

Følgende madrasser kan anvendes til sengen.

Senge størrelser	Madrasmål	Inkontinensbetræk	Bomuldsbetræk
140x60	140x60	1514560	1547664
160x70	160x70	1514561	1547529
180x80	180x80	1514562	1547528



Det foreskrives at der min. er 220 mm fra toppen af madrassen til overside af sengegavlen.



2.2.7 Andet tilbehør

Montage og anvendelse af tilbehør findes i manualer som leveres med tilbehøret.

Følgende tilbehør er godkendt til brug på **ScanBeta NG**.

- Galge
- Polstring
- Støtthåndtag

3. Betjening af sengens funktioner

3.1 Betjening af håndbetjening

Sengen er udstyret med en håndbetjening, der afhængig af sengemodellen kan have forskellige funktioner.

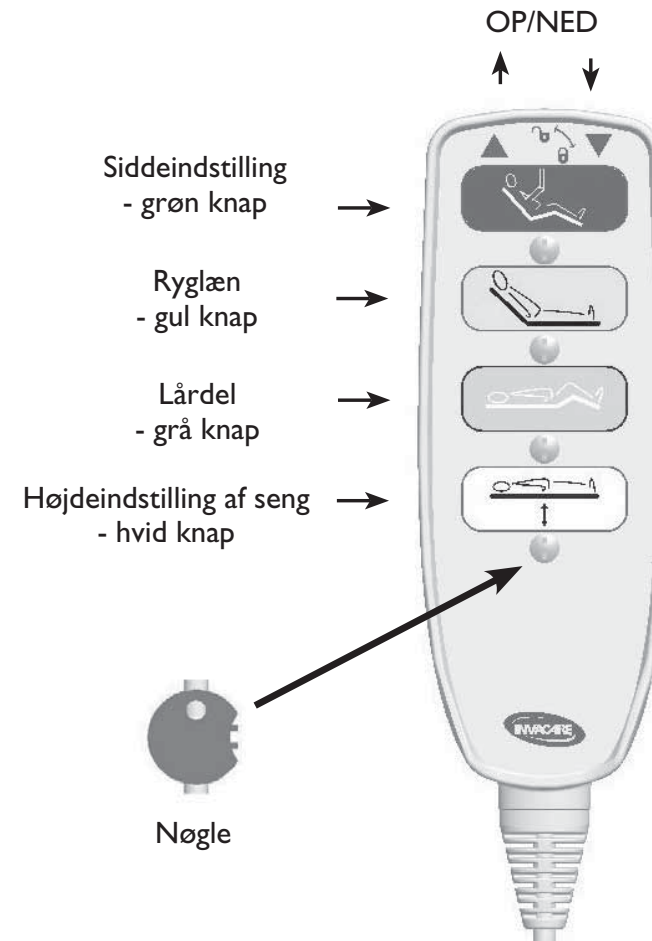
Alle håndbetjeneringer til sengen er udstyret med en nøgle, så sengens funktioner kan låses.



Når sengen er i den ønskede position låses alle funktioner for at undgå utilsigtet betjening af sengen.

Nøgle:

Sæt nøglen ind i drejeknappen under trykknappen og drej for at skifte mellem låst og ulåst position



3.2 Betjening af bremsehjul

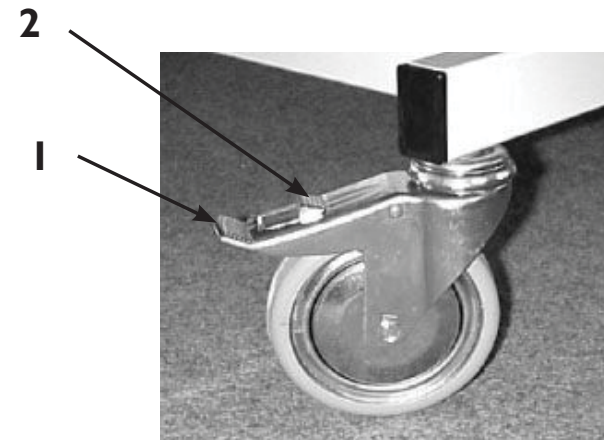


Sengehjulene kan under nogle forhold sætte mærker på enkelte typer gulve - f.eks. ubehandlede trægulve. Hvis der opstår tvivl, anbefaler *Invacare*[®], at der lægges en beskyttelsesplade mellem hjul og gulv.

3.2.1 Betjening af hjul uden centralbremse

Når sengen er anbragt det rette sted, skal mindst et hjul i hovedende og et hjul i fodende være bremset.

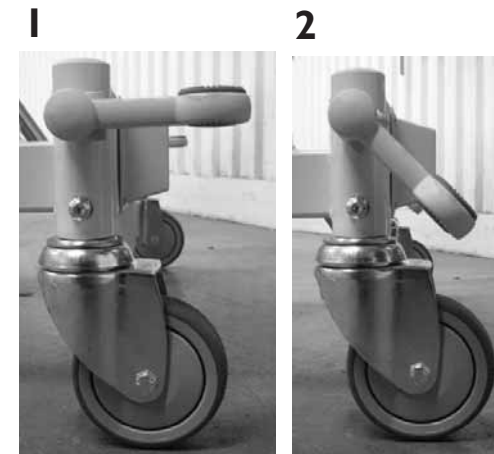
1. **Brems:** Tråd på den yderste del af pedalen.
2. **Udløs bremsen:** Tråd på den øverste del af pedalen.
Undlad at udløse bremsen med fingrene, da de risikere at komme i klemme.



3.2.2 Betjening af hjul med centralbremse

Når sengen er anbragt det rette sted, skal sengen bremses.

1. **Neutral:** Når pedalen er i vandret position er bremsen ikke aktiveret og sengen kan flyttes.
2. **Brems:** Tråd pedalen ned for at aktivere bremsen.
3. **Option:** Centralbremsehjulet fås også med retningsspær og denne aktiveres ved at pedalen trykkes op fra neutral stilling.



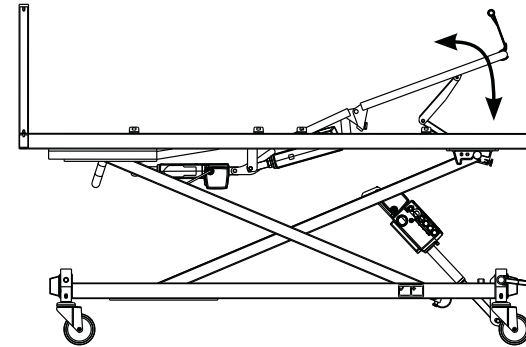
3.3 Betjening af sengens manuelle funktioner

- Vinkelindstilling:

1. Vinklen på bendelen justeres ved at løfte i bendelsrammen til den ønskede position.
2. Sænk rammen forsigtig indtil rastofix beslaget går i indgreb og fastlåser bendelens position.

- Vandret indstilling:

1. Løft bendelsrammen så rastofix beslaget går ud af indgreb.
2. Sænk forsigtig bendelen til vandret position.



4. Betjening af tilbehør

4.1 Betjening af nedfældbar tremmeside.



Der er risiko for at den nedfældebar tremmesiden kan falde ned, dette kan medføre lette skader på eks. fødderne. Hold under betjening godt fast i den nedfældbar tremmesiden.

- Ned

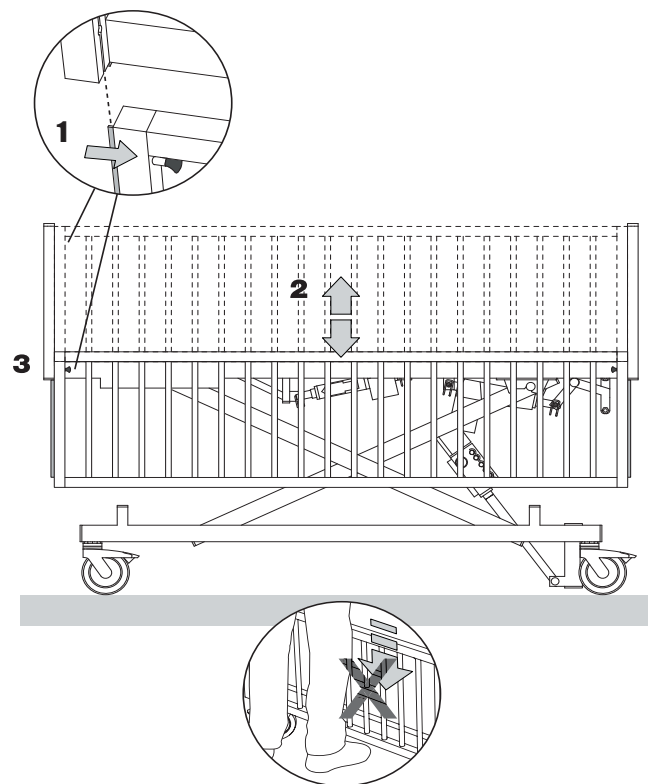
1. Løft op og udløs låsesplitten i begge sider.
2. Træk forsigtig med begge hænder ned i tremmesiden.
3. Når tremmesiden når bundstilling går låsesplitten i indgreb i de nederste huller på træstolpen.

- Op

1. Udløs låsesplitten i begge sider.
2. Løft forsigtig med begge hænder op i tremmesiden.
3. Når tremmesiden når topstilling går låsesplitten i indgreb i de øverste huller på træstolpen.
4. Kontroller altid at begge låsestifter er korrekt placeret i hullerne i træstolperne.

- Afmontere

1. Åben tremmesiden.
2. Udløs låsesplitten med begge hænder.
3. Sænk tremmesiden forsigtigt ud af slidserne.
4. Tremmesiden er afmonteret.



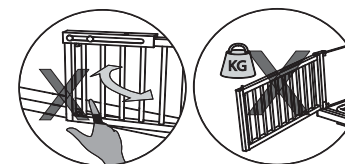
4.2 Betjening af side tremmelåger.



Der er risiko for klemning, når lågen åbner og lukker.



Når lågen er åben må den ikke belastes, da der kan være risiko for at sengen vælter. Maksimale åbningsvinkel er 90°.



- Åben

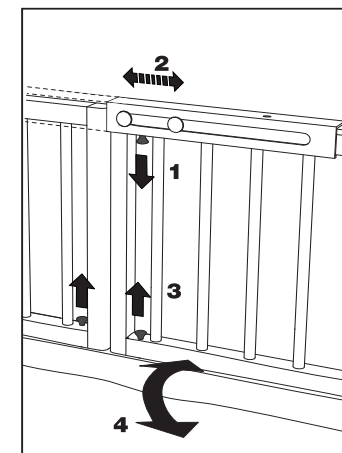
Børnesikringsbeslaget åbnes således:

1. Træk ned i låsespliten øverst på tremmelågen.
2. Skyd skinnen til side.
3. Træk op i låsespliten nederst på tremmelågen. Der er en låsestift på hver låge.
4. Tremmelågen åbnes.

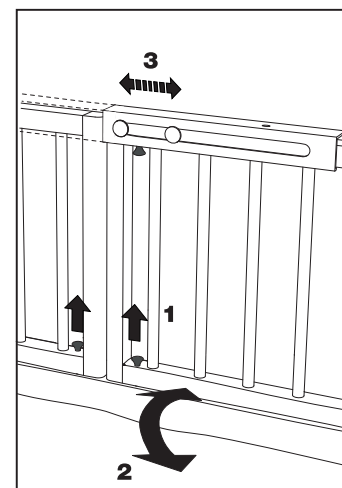
- Lukke

1. Låsespliten på begge låger nederst på tremmelågen trækkes op.
2. Luk tremmelågerne. Kontroller at låsespliten går i indgreb i hullet i sidevangen.
3. Skinnen skydes til side indtil låsespliten går i indgreb.
4. Kontroller at lågerne er forsvarligt lukkede og sikrede.

Åben



Lukke



5. Montage og demontage af sengen

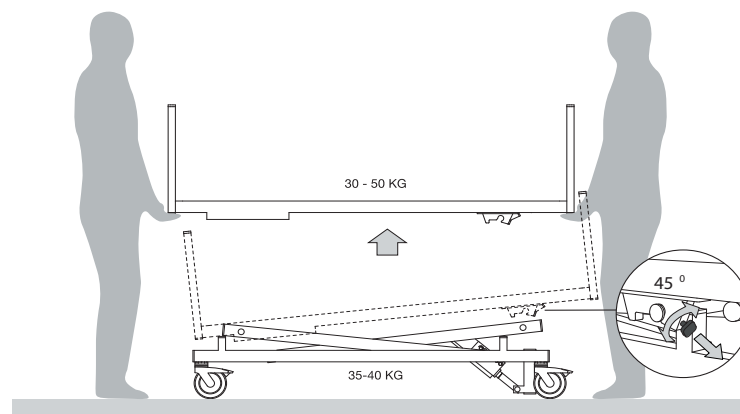


Der skal minimum være 2 personer til at montere / afmontere liggefladen.

Der er risiko for klemning af fingre under montagen.

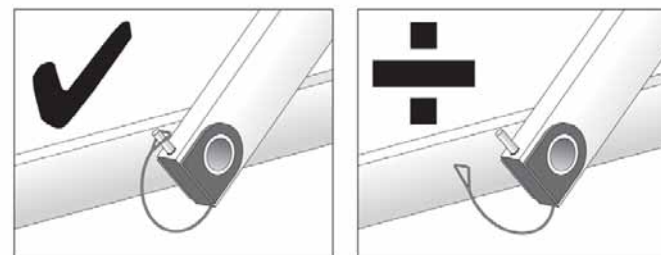
5.1 Montering af liggeflade

1. Løft liggefladen op over understellet.
2. Sænk liggefladen forsigtigt, således at glideskoende glider ind i glideskinnen på begge sider af understellet.
3. Fodenden sænkes forsigtigt, således at aksel enderne falder ind i snaplåsebeslaget.
4. Lås snaplåsebeslaget ved at trække den røde knap ud og dreje den 45° imod uret til den låser.
5. Eventuelle motorer monteres igen. (se kapitel 5.3)
6. Kontroller at sengen er forsvarligt samlet, og at begge snaplåse er i indgreb og låst.



5.2 Montage af rørsplit mellem saks og understel

1. Monter rørsplitten med åbningen opad og låses.
2. Rørsplitten **skal** altid være sat igennem begge huller på rørdelen, og sikre at fjederklemmen er sikret, før sengen tages i brug.
3. Placere de 4 plastikbøsninger korrekt mellem saks/understel og saks/overramme.



Træk ikke i rørsplittens bøjle ved adskilles - bøjlen kan deformeres og kan dermed ikke låse korrekt.

5.3 Afmontering af liggeflade

1. Kontroller om der er motorer direkte monteret på liggefladen eller mellem liggefladen og sengens understel. Er dette tilfældet, skal disse afmonteres før liggefladen kan afmonteres. (Se afsnit 5.3 for afmontering af motorer)
2. Udløs de 2 snaplåse ved at trække den røde knap helt ud og drej den 45° med uret.
3. Løft gavlen nærmest snaplåsebeslagene.
4. Træk liggefladen bagud, således at glideskoende kan glide igennem udskæringerne i glideskinnerne.
5. Løft liggefladen i begge ender.



Kontroller at hjulene er bremsede.

5.4 Montering og afmontering af motorer



Fjern stikket fra stikkontakten, inden motoren kan afmonteres.



Ledningerne skal være monteret på en sådan måde, at de ikke kommer i klemme mellem sengens bevægelige dele.



Skal højdemotoren afmonteres, skal der minimum være 2 personer til at holde liggefladen og 1 til at afmontere motoren.

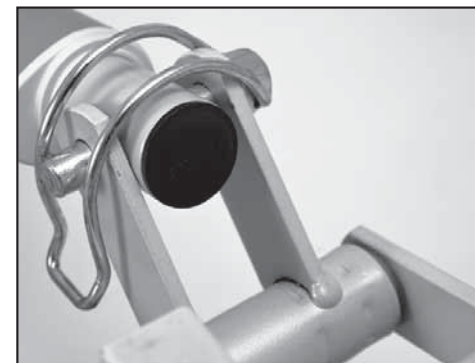
Hvis motorer med integreret styreboks skal afmonteres/monteres er det nødvendigt, at afmontere/montere samtlige ledningsforbindelser til de øvrige motorer, samt til håndbetjeningen.

På alle styrebokse gælder det, at der er monteret en låsekam, som skal løsnes inden stikkene trækkes ud af styreboksen.

1. Låsekammen løsnes ved at presse de små låsestifter ud med en skruetrækker.
2. Ved færdig montering skal låsekammen monteres igen.
3. Tryk låsekammen ned, så låsestifterne går i indgreb.

- Montering af motor

1. Anbring motoren i gaffelbeslagene og træk splitten igennem.
2. Luk splitten.
3. Monter stikkene i styreboksen. Vær opmærksom på at stikket vendes rigtigt og placeres korrekt i styreboksen.
4. Anbring låsekammen.
5. Kontroller at alle sengens funktioner fungerer korrekt.



- Afmontering af motor

Ved afmontering af motoren til sengeløft skal liggefladen fastholdes af 2 personer.

1. Fjern låsekammen og træk ledningerne ud af styreboksen.
2. Åben splitterne i begge ender af motoren og træk splitten ud.
3. Nu er højdemotoren afmonteret og liggefladen sænkes forsigtig til bundstilling.

(På nogen modeller er motorenderne fastgjort med bolte og disse skal skrues ud).



6. Rengøring og vedligeholdelse

6.1 Rengøring



Inden sengen rengøres, sikres det at stikket er trukket ud af stikkontakten.

ScanBeta NG barneseng tåler ikke rengøring i vaskeanlæg eller vandstrålebaseret rengøring.

- Rengøringen bør ske med en blød opvredet klud.
- Der må kun anvendes neutrale flydende rengøringsmidler uden opløsningsmidler.
- Rengøring af elektriskedele bør kun ske med en tør klud.

6.2 Vedligeholdelse



Service og vedligehold af **ScanBeta NG** barneseng må kun udføres af trænet eller uddannet personale.

- Før ibrugtagning

Kontroller at alle manuelle og elektriske dele fungerer korrekt, og er i sikkerhedsmæssig forsvarlig stand.

- Efter 3 måneder fra ibrugtagning

Kontrol af alle manuelle og elektriske dele, samt efterspænding af bolte, skruer, møtrikker m.v.

- Hvert år

Serviceeftersyn skal foretages efter serviceskemaet. Se kapitel 6.3 Serviceskema.

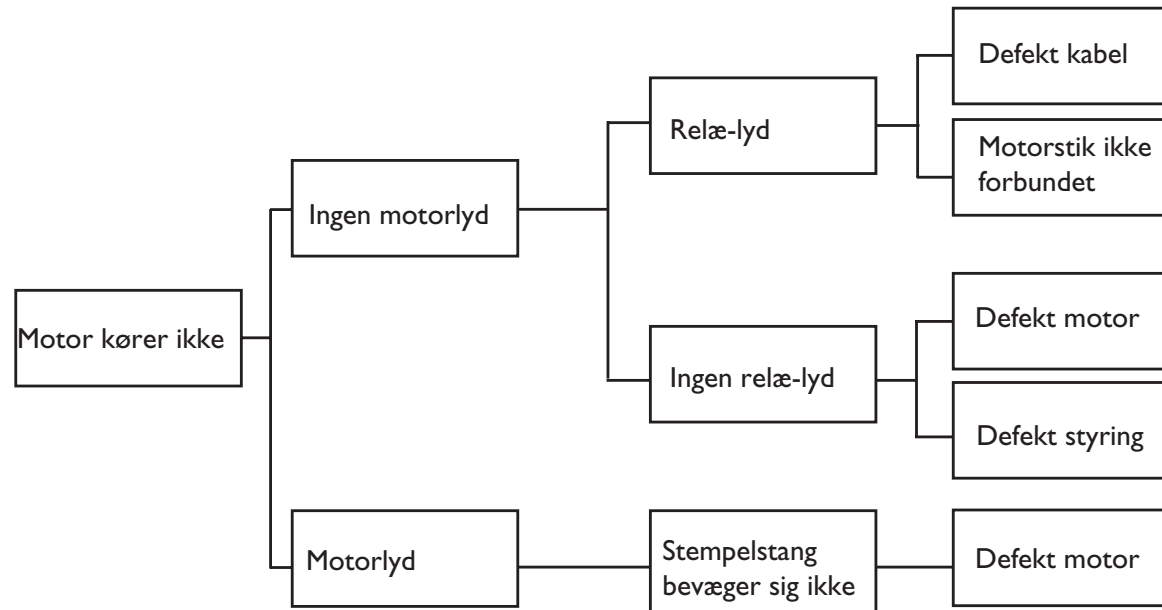
6.3 Serviceskema

Service og vedligehold af ScanBeta NG barneseng må kun udføres af trænet/uddannet personale Serienr. (placeret på understellet): _____					
Dato:	Init.:				
Låseringe, splitter og plast fixeringsring er kontrolleret.					
Skruer, bolte og møtrikker er spændt efter					
Svejsninger er efterset.					
Bremsen på hjul er kontrolleret.					
Højde-, ryglæn- og bendels- motor er kontrolleret.					
Ledningsføringer er korrekt ophængt og ubeskadigede. Stik er ubeskadigede.					
Lak skader er repareret.					
Trædele og låger er efterset.					
Tilbehør er efterset					

I lande, hvor *Invacare*[®] har eget salgsselskab, er der mulighed for at tegne servicekontrakt. Endvidere kan *Invacare*[®] tilbyde kurser i eftersyn og vedligeholdelse af **ScanBeta NG**.

7. Fejlsøgning i det elektriske system

- Kontroller først, at stikket er tilsluttet



8. Elektriske data

Tilslutningsspænding:	230 V AC/50 Hz.
Max. strømforbrug:	1,5 A.
Intermittens (periodisk brug af motorerne):	10% max. 6 minutter/time.
Max. akkumulatorkapacitet:	1,2 Ah.
Tæthedsklasse for motorer:	IP 66.
Tæthedsklasse for håndbetjening:	IP 54
Lydniveau:	55 dB (A)

Dobbeltisoleret, klasse II, type B.



Vekselstrøm:



Jævnstrøm:



Brugeren er ikke adskilt fra jord og chassis.



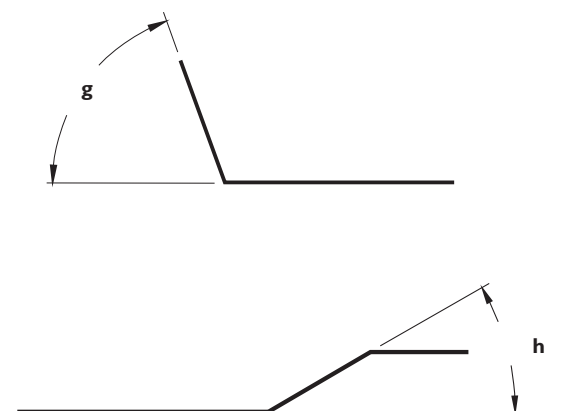
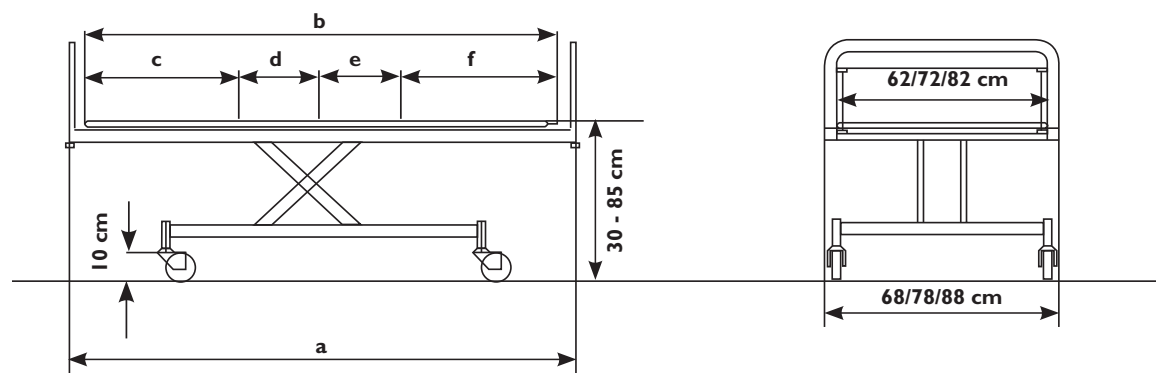
Styringen har ingen afbryder, hvorfor stikket er eneste adskillelse fra netspændingen.

9. Tekniske specifikationer

9.1 Mål

Alle mål er opgivet i mm. Alle mål er opgivet uden tolerancer.

Invacare® forbeholder sig retten til at ændre på opgivne mål uden forudgående varsel.



L / W	60 cm	70 cm	80 cm
a (mm)	1480	1680	1880
b (mm)	1364	1564	1764
c (mm)	621,5	671,5	751,5
d (mm)	70	150	190
e (mm)	212	222	271,5
f (mm)	460,5	520,5	551
g	73°	73°	73°
h	36°	31°	27°

9.2 Vægt

Vægtskema		
Sengedel/størrelse	70x160	80x180
Liggeflade	31 kg	38 kg
Base med saks	47 kg	47 kg
Gavl med træ	13,5 kg	14,5 kg
Samlet seng	91,5 kg	99,5 kg

9.3 Transport og opbevaringsforhold

- Temperatur mellem -10° og 50° C
- Luftfugtighed mellem 10 og 80 % RH
- Lufttryk mellem 700 og 1.100 hPa

10. Bortskaffelse

Dette produkt er fremstillet af en miljøbevidst producent, som opfylder normerne i Waste Electrical og Electronic Equipment (WEEE) direktiv 2002/96/CE.

Dette produkt kan indeholde stoffer, der kan være skadelige for miljøet, hvis de ikke bortskaffes i henhold til gældende lovgivning.

Symbolet, den »overkrydsede skraldespand«, er placeret på dette produkt for at opfordre til genbrug, hvor det er muligt.

Tag venligst miljøansvar og genbrug dette produkt gennem din lokale genbrugsstation, når dets levetid er omme.



Innehållsförteckning

1. Allmän information	4
1.1 Avsedd användning	4
1.2 Certifiering och krav	5
1.3 Förklaring av etiketter och symboler	6
1.4 Säkerhetsinstruktioner och varningar	7
2. Vid leveransen	9
2.1 Barnsängens delar	9
2.2 Montera barnsängen	10
2.2.1 Sätta fast sänggaveln	10
2.2.2 Montera gavelplattorna	11
2.2.3 Montera de fasta sängsidorna	11
2.2.4 Montera den nedskjutbara sidan	12
2.2.5 Montera sidogrindarna	13
2.2.6 Montera de vikbara sidogrindarna	13
2.2.7 Madrasser	14
2.2.8 Andra tillbehör	14
3. Använda barnsängen	15
3.1 Använda handkontrollen	15
3.2 Använda bromshjulen	16
3.2.1 Använda hjul utan centralt bromssystem	16
3.2.2 Använda hjul med centralt bromssystem	16
3.3 Göra manuella justeringar	17

4. Använda tillbehör	18
4.1 Använda den nedskjutbara sidan	18
4.2 Använda sidogrindarna	19
5. Montera och demontera barnsängen	20
5.1 Montera sängbotten	20
5.2 Montera låssprinten mellan saxarmen och underredet	20
5.3 Ta bort sängbotten	21
5.4 Montera och demontera motorerna	21
6. Rengöring och underhåll	23
6.1 Rengöring	23
6.2 Underhåll	23
6.3 Maintenance chart	24
7. Felsökning i det elektriska systemet	25
8. Elektriska data	26
9. Tekniska data	27
9.1 Mått	27
9.2 Vikter	28
9.3 Transport- och förvaringsvillkor	28
10. Kassering	28

Inledning

Grattis till valet av barnsängen Invacare® ScanBeta NG.

- Den totala belastningen på barnsängen ScanBeta NG får inte överstiga 100 kg (säker arbetslast = patient + madrass + sidor + annan utrustning).
- Barnsängen ScanBeta NG är avsedd för brukare som behöver hemtjänst eller hemsjukvård samt för användning på sjukhus och andra vårdinstitutioner.
- Barnsängen ScanBeta NG förenar stabilitet och ergonomisk design, vilket gör den lätt att demontera och använda.
- Barnsängen ScanBeta NG får endast användas i enlighet med bruksanvisningen och säkerhetsinstruktionerna.
-

Läs hela bruksanvisningen innan du använder barnsängen.

Kontakta gärna Invacare® om du har några frågor om användning eller underhåll av barnsängen.

I alla instruktioner där höger och vänster förekommer antas att brukaren ligger i barnsängen.

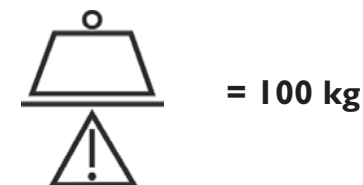
Observera att det kan finnas avsnitt i bruksanvisningen som inte är relevanta för din barnsäng, eftersom bruksanvisningen gäller för alla befintliga modeller (vid tidpunkten för tryckningen.)

I. Allmän information

I.1 Avsedd användning

- Barnsängen ScanBeta NG är utformad för brukare med begränsad rörlighet och för användning på sjukhus, andra vårdinstitutioner osv.
- Barnsängen ScanBeta NG får endast användas av brukare med en kroppsvikt som inte överstiger 70 kg.
- Höjden på barnsängen ScanBeta NG kan justeras för att brukaren eller vårdaren ska få en ergonomisk arbetsställning.

Beroende på modell kan ryggstödet, ben- och lården eller hela sängbotten justeras antingen med hjälp av handkontrollen eller manuellt.



1.2 Certifiering och krav

Invacare® är certifierat enligt DS/EN ISO 9001 och ISO 13485.

Det garanterar att kunden alltid får en produkt med standardiserad kvalitet.

Materialet och produkterna kvalitetskontrolleras av operatörerna under hela produktionsprocessen.

När produkten har monterats utförs ett slutligt test. Operatören som utför det slutliga testet, där även en kontroll av alla rörliga delar, motorer och hjul ingår, undertecknar produktens kvitto med sitt personliga QA-nummer.

Om produkten inte uppfyller de kvalitetskrav som fastställts av Invacare® godkänns den inte.

Om det mot förmodan skulle uppstå ett problem med produkten kontaktar du den lokala Invacare® -återförsäljaren.

- Barnsängen ScanBeta NG är CE-märkt i enlighet med direktiv 93/42/EEG om medicintekniska produkter.
- Barnsängen ScanBeta NG har undergått en riskbedömning i enlighet med EN ISO 14971:2008.
- Barnsängen ScanBeta NG har godkänts enligt den nordiska kravspecifikationen.
- Barnsängen ScanBeta NG har godkänts enligt EN 60601:1996-03 och EN 60601-1-2

1.3 Förklaring av etiketter och symboler



VARNING – Denna symbol varnar för fara.

Om inte nödvändiga säkerhetsåtgärder vidtas kan det leda till personskador eller skador på sängen



OBS – Denna symbol markerar viktig information och viktiga instruktioner.



Instruktion – Hänvisning till bruksanvisningen.

Se märkplåten på underredet för att identifiera barnsängen.



1.4 Säkerhetsinstruktioner och varningar

Kontrollera alltid följande innan du använder barnsängen:

- Att den totala vikten inte överstiger 100 kg.
- Att barnsängen inte är skadad eller av någon anledning inte fungerar som den ska.
- Att barnsängens alla tillbehör är korrekt monterade.



Invacare[®] tar inget ansvar om barnsängen används på ett felaktigt sätt eller om den förändras eller monteras på ett annat sätt än det som beskrivs i bruksanvisningen. Använd ENDAST godkända tillbehör som tas upp i denna bruksanvisning. Tillbehör som inte har godkänts av *Invacare*[®] får inte användas för barnsängen.



Om barnsängen är skadad vid leveransen får den inte användas förrän skadan har åtgärdats. Se leveransvillkor.



Barnsängen får inte användas av brukare över 12 år eller av brukare med en kroppsstorlek som är lika med eller större än den hos en genomsnittlig 12-åring.



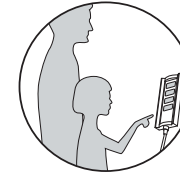
Det finns risk för att brukare kan glida ut genom öppningarna i barnsängens gavel. Det kan leda till att brukare fastnar eller kvävs mellan sängbotten, sängens sidor och sängens gavelplatta.



När barnsängen höjs eller sänks finns det risk för att brukare fastnar mellan de rörliga delarna och sängbotten. Innan höjden, ryggstödet eller ben- och lårdelen justeras måste användaren säkerställa att det inte finns några hinder eller personer i närheten som kan förhindra barnsängens rörelse.



Vi rekommenderar att handkontrollen låses efter varje användning.
Barn får inte leka med handkontrollen.
Om handkontrollen används på ett obehörigt sätt finns det risk för att personer, i synnerhet barn, fastnar i eller under barnsängen.



Brukare får inte använda handkontrollen utan att vårdpersonalen först har gjort en bedömning.



Strömkabeln får inte ligga i vägen för några rörliga delar.
Dra ut kontakten ur vägguttaget innan du flyttar barnsängen.
Kablarna måste anslutas på ett sådant sätt att de inte vidrör golvet eller blockerar hjulen.



När sängen inte används måste strömkabeln dras ut ur vägguttaget.



Eftersom det kan uppstå kondens får barnsängen inte användas förrän den har nått en temperatur på över 10 °C.

2. Vid leveransen

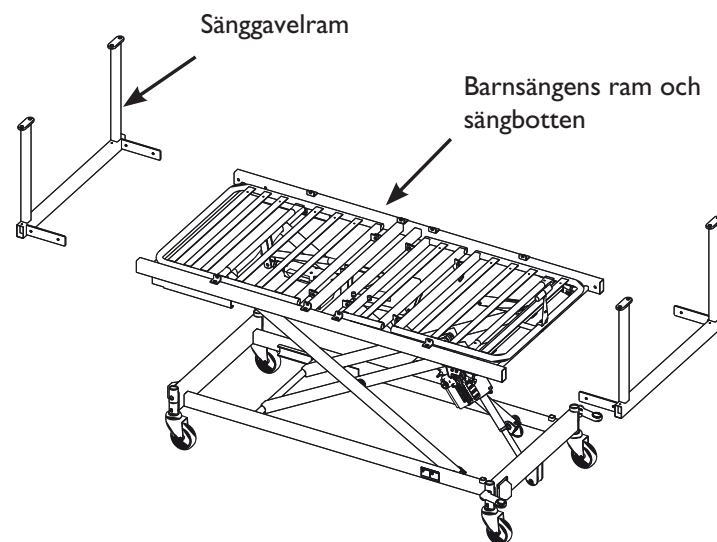
2.1 Barnsängens delar

Kontrollera att förpackningen/barnsängen inte är skadad och att alla delar finns med. Se figur.

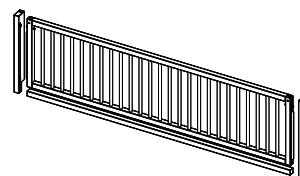
Det finns flera olika typer av sängsidor/grindar. Barnsängen kan antingen ha samma typ på båda sidorna eller olika typer på de olika sidorna.

Sänggavelramarna och sänggavlarna ska alltid vara monterade i båda ändarna av barnsängen.

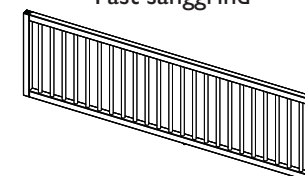
Det kan finnas skillnader mellan din produkt och illustrationen, beroende på vilken modell och extrautrustning du har valt.



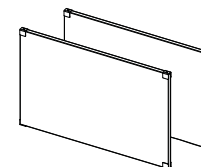
Nedfällbar sänggrind



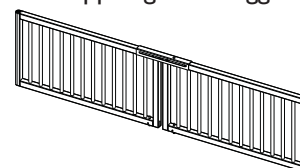
Fast sänggrind



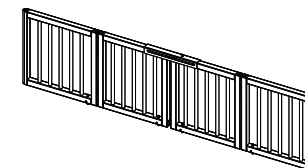
Sänggavel



Öppningsbar sänggrind*



Vikbara sänggrind*



* Sängsidorna är som standard i grindvariant med träspjälor, men kan även specialbeställas i plexiglas eller laminat. Alla illustrationer i denna bruksanvisning visar träversionen.

2.2 Montera barnsängen



Obs! Vissa delar av barnsängen är tunga. Lyft alltid på rätt sätt.



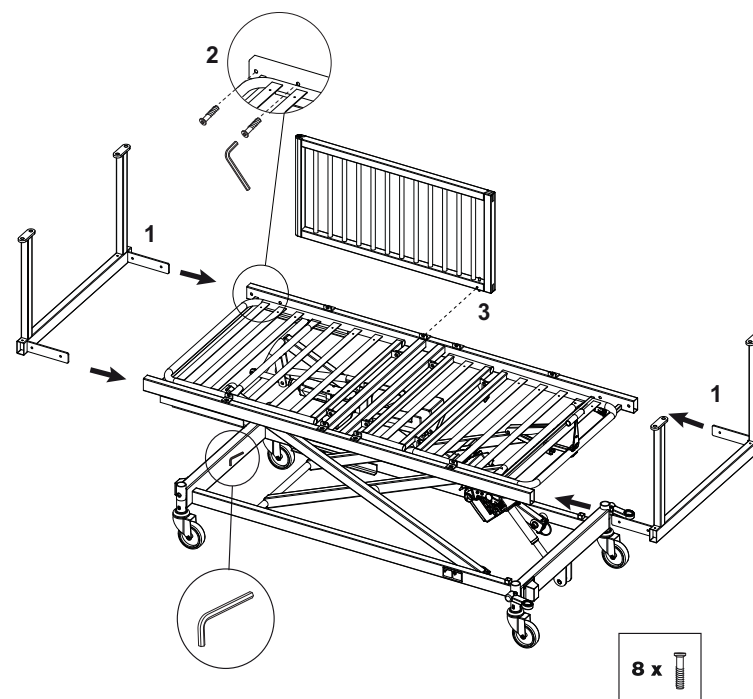
Lämna alltid barnsängen i det nedersta läget. Det är det säkraste läget om en patient skulle ramla ur barnsängen.



Ingen person får vistas under barnsängen då den är ansluten till nätspänning. Olycksrisk.

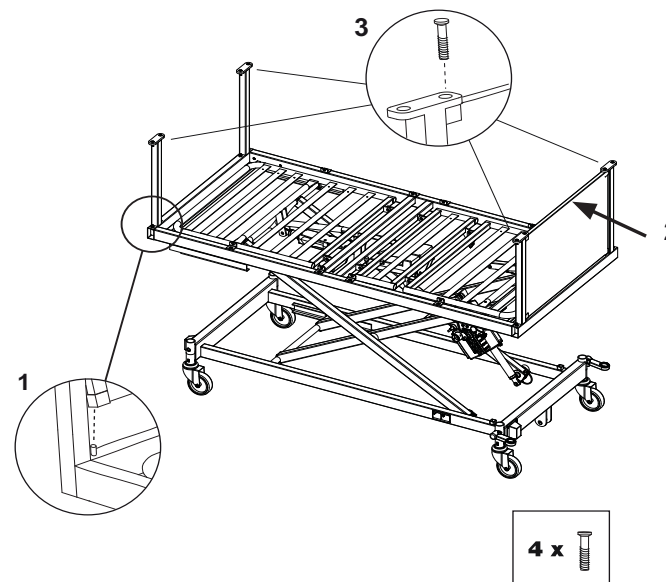
2.2.1 Sätta fast sänggavelramarna

1. Placera de två sänggavelramarna i sängramens sidorör.
2. Montera de 2 skruvarna i varje hörn med hjälp av insexnyckeln som sitter på underredet. Efterdra skruvarna efter det att grindar/sidor monterats och injusterats korrekt.
3. Se till att sänggavlarna sitter rakt.



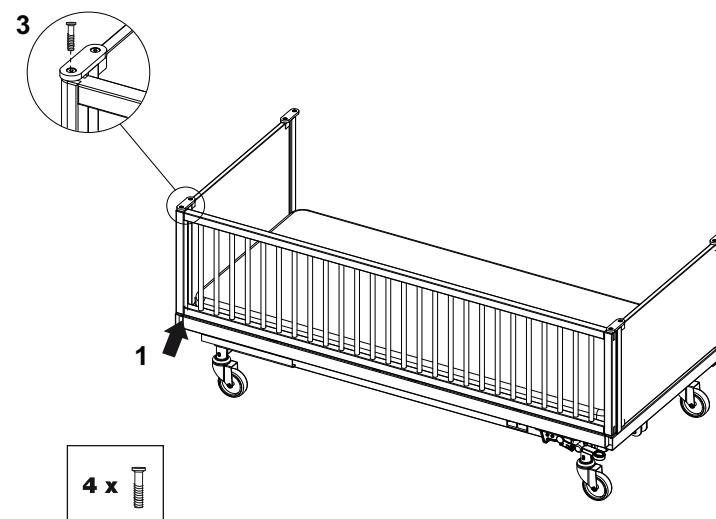
2.2.2 Montera sänggavlarna

1. Lyft sänggaveln så att pluggarna på den övre sängramen passar in i hålen på sänggavelns undersida.
2. Fäll upp sänggavelns överkant mot gavelramens överkant så att hålen uppe på sänggaveln är i linje med hålen i gavelplattan.
3. Fäst barnsängens sänggavel med de 2 avsedda skruvarna.
4. Upprepa steg 1–3 för den andra sänggaveln.
5. Kontrollera att sänggaveln sitter rätt och har fästs ordentligt.



2.2.3 Montera de fasta sängsidorna

1. Placera den fasta sängsidan så att stiften på sängramen passas in i mässingsbussningarna på sängsidans nedre ramverk.
2. Fäll upp den fasta sängsidan mot sänggaveln så att hålen i mässingsbussningarna är i linje med hålen och att pluggen passar in.
3. Fäst den fasta sängsidan med de två avsedda skruvarna.
4. Kontrollera att den fasta sängsidan sitter rätt och har fästs ordentligt.

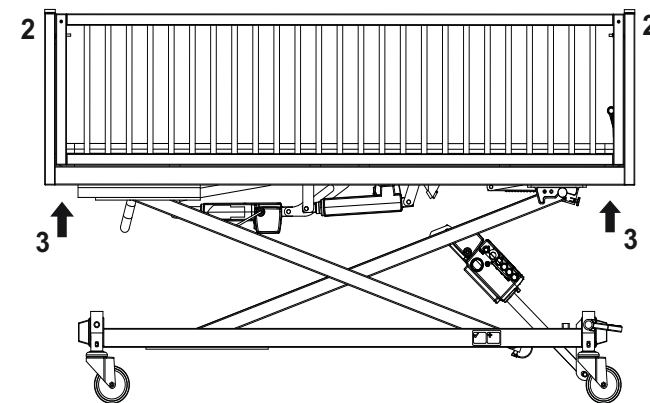
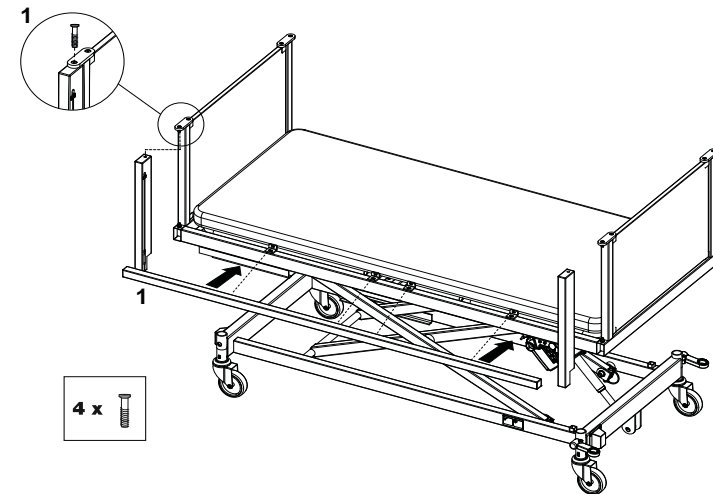


2.2.4 Montera den nedfällbara sänggrinden

1. Montera trästolparna i hörnstolparna och fäst träribban ovan sänggramens sidorör med de medföljande skruvarna.

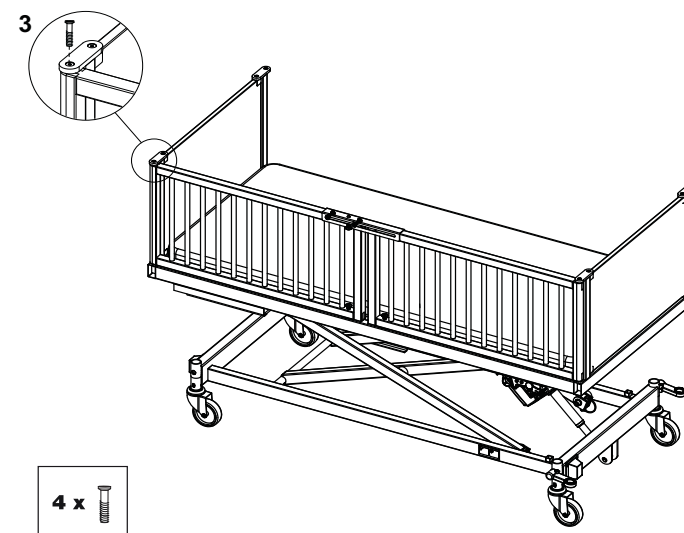
OBS! Spåren måste vara placerade inåt mot varandra.

2. Tryck in de 2 blanka fjädrande sprintarna i grindramens övre del.
3. För glidskenan in i spåren på trästolpen, dra de 2 svarta fjädrande sprintarna i riktning mot sängens centrum.
4. Lyft upp grinden förbi sänggram och träribban tills samtliga sprintar passerat träribban och de 2 svarta sprintarna kommit upp till låsläge.
5. Kontrollera att samtliga sprintar fjädrat ut och att grinden låser ordentligt i både lägsta som högsta läget.



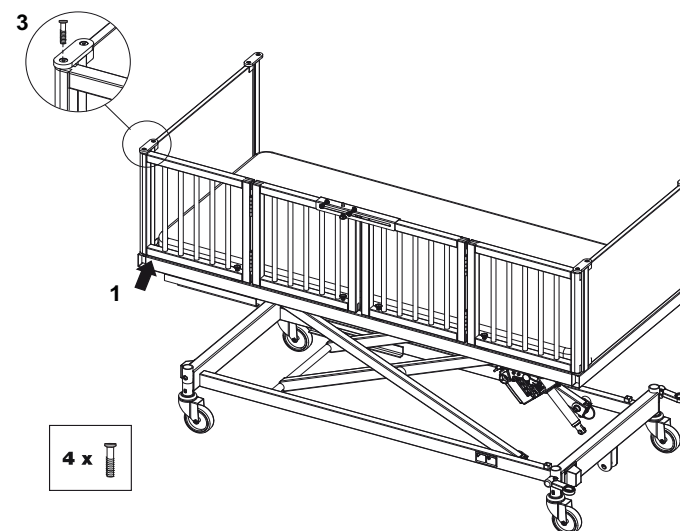
2.2.5 Montera de öppningsbara sänggrindarna

1. Placera grinden så att stiftet på sängramen kan passas in i mässingsbussningen nere på grinden. För att underlätta detta ser du till att sänggaveln sitter rakt.
2. Fäll upp grindens överkant mot sänggaveln så att mässingsbussningen och stiftet passar in i hålet i hörnfästet uppe på hörnstolpen.
3. Fäst grinden med de avsedda skruvarna.
4. Upprepa steg 1–3 på den andra sidan.
5. Kontrollera att båda grindarna sitter rätt och har fästs ordentligt samt att de kan öppnas och stängas utan att kärva. Efterdra sänggavelramens skruvar när grindens funktion är kontrollerad (se 2.2.1).



2.2.6 Montera de vikbara sidogrindarna

1. Placera de vikbara grindarna så att pluggen på den övre ramen kan passas in i mässingsbussningen nere på grindarna. För att underlätta detta ser du till att sänggavlarna sitter rakt.
2. Fäll upp den vikbara grindens överkant mot sänggaveln så att hålen i mässingsbussningen på överkanten överensstämmer med hålen uppe på hörnstolpen.
3. Fäst sidoribborna med de två avsedda skruvarna.
4. Kontrollera att de vikbara grindarna sitter rätt och har fästs ordentligt samt att de kan öppnas och stängas utan att kärva. Efterdra sänggavelramens skruvar när grindens funktion är kontrollerad (se 2.2.1).



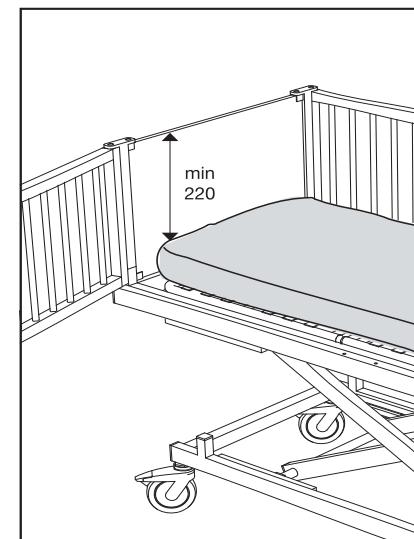
2.2.7 Madrasser

Följande madrasser kan användas:

Sängstorlekar	Madrassstorlekar	Inkontinens-överdrag	Bomullsöverdrag
140x60	140x60	1514560	1547664
160x70	160x70	1514561	1547529
180x80	180x80	1514562	1547528



Det måste vara minst 220 mm från madrassens överkant till gavelplattans överkant.



2.2.8 Andra tillbehör

Information om montering och användning av tillbehör finns i bruksanvisningarna som medföljer tillbehören.

Följande tillbehör är godkända för att användas med barnsängen ScanBeta NG.

- Lyftbåge
- Stoppning
- Stödhandtag

3. Använda barnsängen

3.1 Använda handkontrollen

Barnsängens handkontroll har olika funktioner beroende på modell.

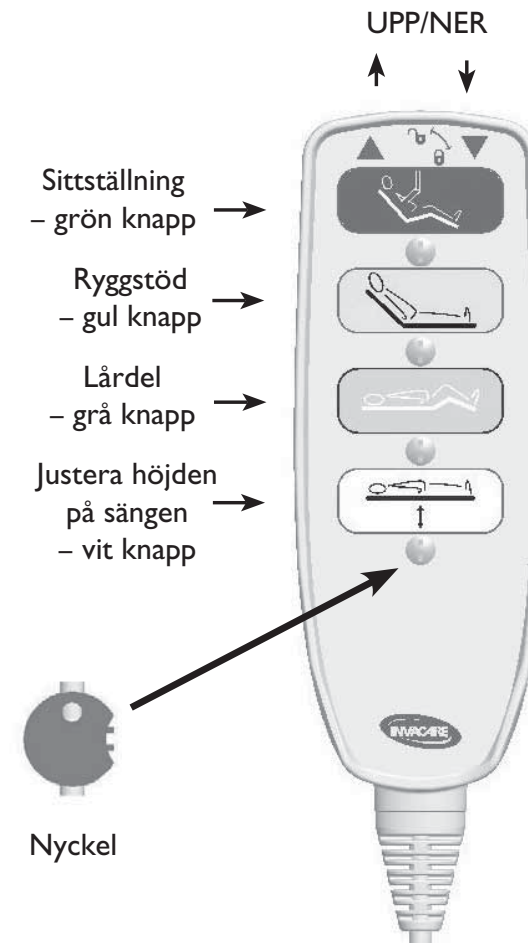
Alla handkontroller har en nyckel så att barnsängens funktioner kan låsas.



Lås alla funktionerna när barnsängen är i rätt läge för att förhindra oönskade rörelser hos sängen

Nyckel för att låsa och låsa upp de elektriska funktionerna

Sätt in nyckeln under respektive knapp för att låsa eller låsa upp handkontrollens funktioner.



3.2 Använda bromshjulen



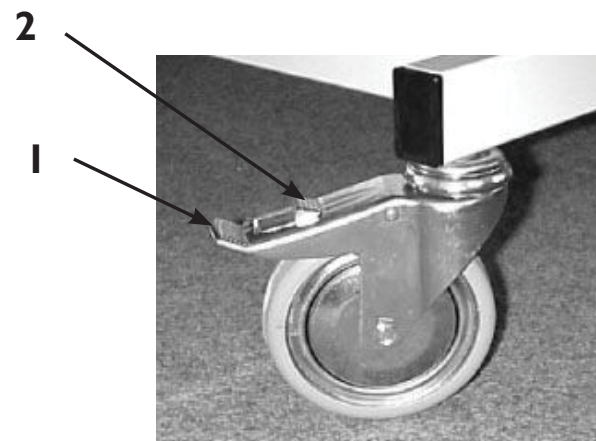
I vissa fall kan hjulen göra märken på vissa typer av golv, t.ex. obehandlade trägolv. Om du är osäker rekommenderar Invacare® att du lägger ett lämpligt skydd mellan hjulen och golvet

3.2.1 Använda separat låsbara hjul

När barnsängen står på önskat ställe måste minst ett hjul vid huvudändan och ett hjul vid fotänden låsas.

1. **Låsa:** Tryck med foten på den yttre delen av pedalen.
2. **Låsa upp:** Tryck med foten på den övre delen av pedalen

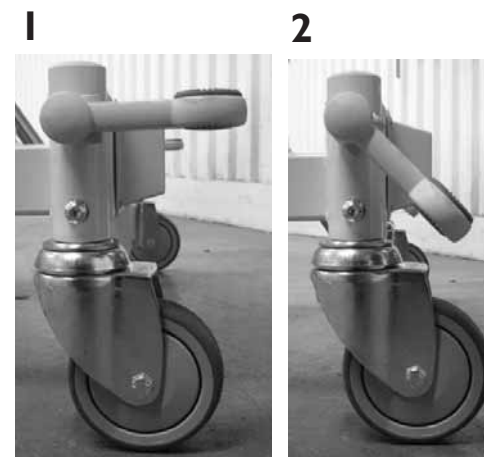
Försök inte att frigöra bromsen med fingrarna eftersom du kan klämma dem.



3.2.2 Använda hjul med centralbroms

När barnsängen står på önskat ställe måste hjulen bromsas.

1. **Neutralläge:** När pedalen är i det horisontella läget är bromsarna inte aktiverade och barnsängen kan förflyttas.
2. **Bromsa:** Tryck ner pedalen för att aktivera bromsen
3. **Låsa upp.** Placera foten under pedalen och för pedalen uppåt till horisontellt läge.



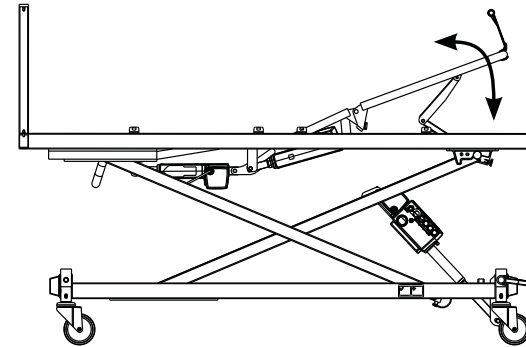
3.3 Göra manuella justeringar

- Vinkelinställning:

1. Vinkeln på bendelen justeras genom att bendelens ram lyfts upp till önskat läge.
2. Sänk ramen försiktigt tills Rastofix-fästet hakar i.

- Horisontell inställning:

1. Lyft upp bendelen tills Rastofix-fästet hakar ur.
2. Sänk försiktigt ner bendelen till det horisontella läget.



4. Använda tillbehör

4.1 Använda den nedfällbara grinden



Det finns risk för att den nedfällbara grinden ramlar ner, vilket kan leda till lättare skador, t.ex. på fötterna. Håll i grinden ordentligt när du justerar den.

- Nedåt

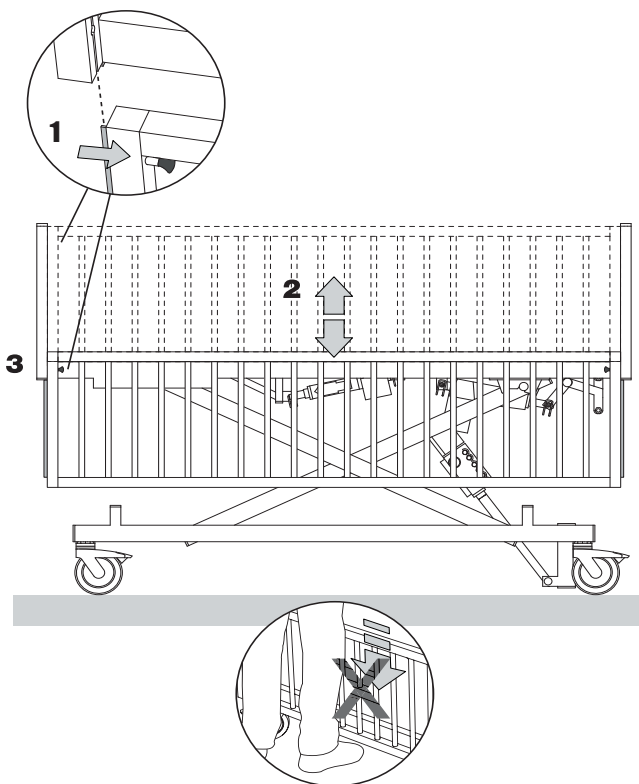
1. Lyft och frigör sedan den svarta fjädrande sprintarna på båda sidorna genom att dra dem i riktning mot grindens centrum.
2. För den nedfällbara grinden nedåt med båda händerna och släpp samtidigt de fjädrande sprintarna.
3. När den nedfällbara grinden är i nedersta läget låser sprintarna mot trästolparna.

- Uppåt

1. Frigör de fjädrande sprintarna på båda sidorna genom att dra dem i riktning mot grindens centrum.
2. Dra försiktigt den nedfällbara grinden uppåt samtidigt som sprintarna släpps tills den går i lås i högsta läget.
3. Kontrollera att grinden gått i lås mot trästolparna.

- Demontera

1. Hög sängen från lägsta läget minst ca 10 cm. Frigör den nedfällbara grinden enligt ovan.
2. Håll de fjädrande sprintarna aktiverade.
3. För grinden nedåt ur spåren.



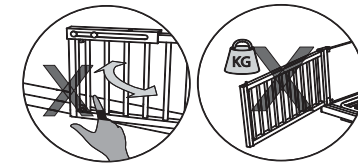
4.2 Använda sidogrindarna



Var försiktig så att inga fingrar kommer i kläm när grindarna öppnas, viks eller stängs.



När grinden är öppen får ingen vikt läggas på den, eftersom barnsängen annars kan välta. Den maximala öppningsvinkeln är 90°.



- Öppna

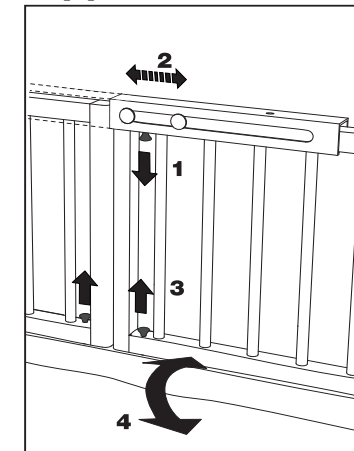
Barnsäkerhetspärren öppnas på följande sätt:

1. Dra ner den svarta fjädrande sprinten på undersidan av grindramens övre del under grindlåset.
2. Skjut grindlåset åt ena hållet.
3. Dra upp de svarta fjädrande sprintarna på grindramens nedre del. (På de vikbara grindarna finns det totalt 4 stycken sprintar.)
4. Öppna grindarna.

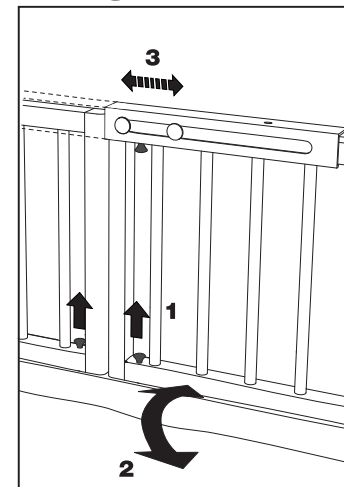
- Stänga

1. Dra ner den svarta fjädrande sprinten på undersidan av grindramens övre del under grindlåset.
2. Skjut grindlåset åt ena hållet.
3. Dra upp de svarta fjädrande sprintarna på grindramens nedre del. (På de vikbara grindarna finns det totalt 4 stycken sprintar.)
4. Öppna grindarna.

Öppna



Stänga



5. Montera och demontera barnsängen

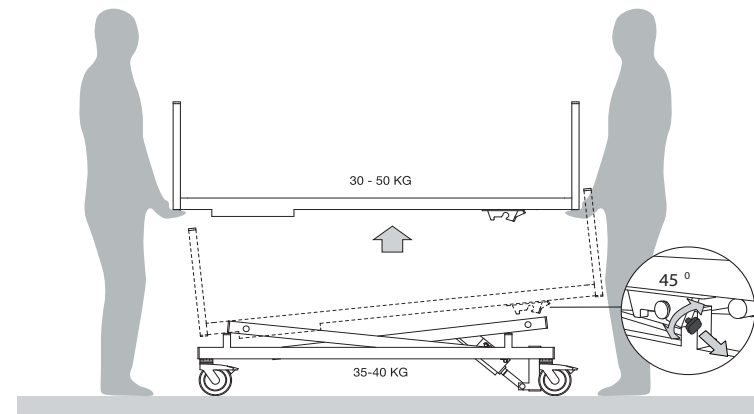


Det krävs minst två personer för att montera/demontera sängbotten.

Var försiktig så att inga fingrar kommer i kläm när barnsängen monteras.

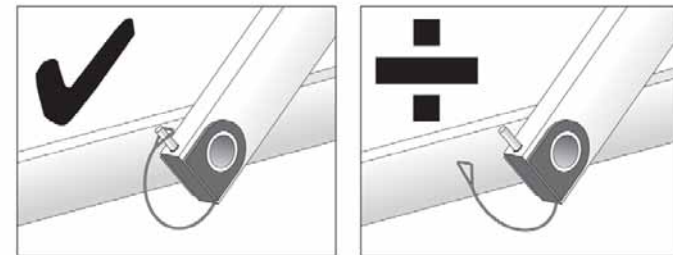
5.1 Montera sängbotten

1. Lyft upp sängbotten ovanför sängramen.
2. Sänk försiktigt ner sängbotten så att glidklossarna kommer i glidskenorna.
3. Sänk försiktigt ner fotänden så att sänglyftens tvärstag glider in i låsbeslagen på bägge sidor.
4. Kontrollera att låsbeslagen är i låst läge. Om inte, skall den röda knappen vridas 45° moturs tills den låses.
5. Montera lyftmotorns motorledning till avsedd ingång på elektroniken.
6. Kontrollera att barnsängen är korrekt monterad och att båda låsbeslagen är i låst läge.



5.2 Montera låssprinten mellan saxarmen och underredet

1. Låssprinten skall monteras med öppningen uppåt och måste låsas.
2. Kontrollera att låssprintarna är helt inskjutna genom båda hålen i rördelen och att fjäderklämman är ordentligt fäst på sängsidan av sprinten innan du använder sängens lyftmekanism.
3. Kontrollera även att alla fyra plastbusningarna är hela och sitter korrekt placerade mellan saxarmen och underredet samt mellan saxarmen och den övre ramen.



OBS! Dra inte i låssprintens bygel vid demontering, eftersom bygeln kan deformeras och sprinten då inte längre kan låsas som den ska.

5.3 Demontera sängbotten

1. Demontera lyftmotorns motorledning från elektroniken.
2. Lossa låsbeslagens låsning genom att dra ut den röda knappen helt och vrida den 45° medurs.
3. Lyft upp sängbotten i den ände som är närmast låsbeslagen.
4. Dra sängbotten bakåt så att glidklossarna kan glida längs med spåret i glidskenorna.
5. Lyft upp sängbotten i båda ändarna.



Kontrollera att hjulen är låsta.

5.4 Montera och demontera motorerna



Dra ut strömkabeln ur vägguttaget innan du tar loss motorn.



Kablarna måste anslutas på ett sådant sätt att de inte kan fastna i barnsängens rörliga delar.



Det krävs två personer om den höjjusterbara motorn ska tas loss, så att den ena kan hålla sängbotten och den andra kan ta loss motorn.

Om motorer med inbyggda styrenheter ska tas loss/monteras måste alla kabelanslutningarna till de andra motorerna samt handkontrollen tas loss/sättas dit.

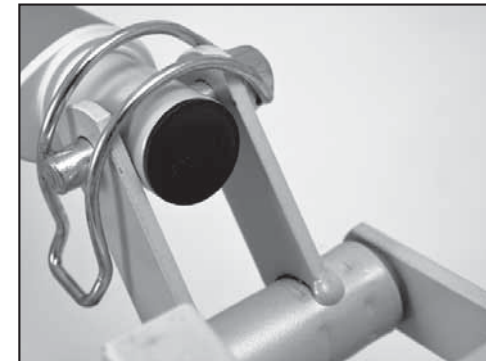
Alla styrenheter har ett kabelspärr som måste lossas innan kontakterna kan dras ut ur styrenheten.

Demontera/montera låskammen

1. Lossa låskammen genom att trycka ut de små låspiggarna med en skruvmejsel.
2. När monteringen av kontakterna är klar skall låskammen monteras igen
3. Tryck ner låskammen så att låspiggarna hakar i.

Montera motorn

1. Placera motorn i motorfästena och skjut igenom låssprinten.
2. Lås låssprinten genom att fälla den fjädrande låsbygeln över motorfästena.
3. Sätt i kontakterna i elektroniken vid rätt utgång. Styransvisningen på kontakten skall monteras mot motsvarande spår i kontaktöppningen.
4. Sätt tillbaka låskammen.
5. Kontrollera att alla de inblandade delarna fungerar som de ska



Demontering av motorn

Om höjdjusteringsmotorn ska tas loss måste sängbotten hållas upp av två personer.

1. Lossa låskammen och dra ut kablarna ut styrenheten.
2. Öppna låssprintarna i motorns båda ändar och dra ut dem.
3. Ta bort motorn och sänk sängbottendelen manuellt.

(På vissa modeller kan motorns ändar vara monterad med bult och mutter som måste tas loss)



6. Rengöring och underhåll

6.1 Rengöring



Kontrollera att strömkabeln är utdragen ur vägguttaget innan du rengör barnsängen.

Barnsängen **ScanBeta NG** tål inte rengöring i tvättanläggningar eller med högtryckstvättar.

- Rengör med en mjuk urvriden trasa.
- Använd endast neutrala rengöringsmedel utan lösningsmedel.
- Elektriska komponenter måste rengöras med en torr trasa

6.2 Underhåll



Service och underhåll av barnsängen ScanBeta NG får endast utföras av personal som har fått den utbildning och de instruktioner som krävs.

- Före användning

Kontrollera att alla manuella och elektriska delar fungerar som de ska och är säkra att använda.

- Efter 3 månaders användning

Kontrollera att alla manuella och elektriska delar fungerar och dra åt alla bultar, skruvar, muttrar osv.

- Årligen

Service måste utföras enligt service- och underhållsschemat.

Se kapitel 6.3 "Underhållsschema".

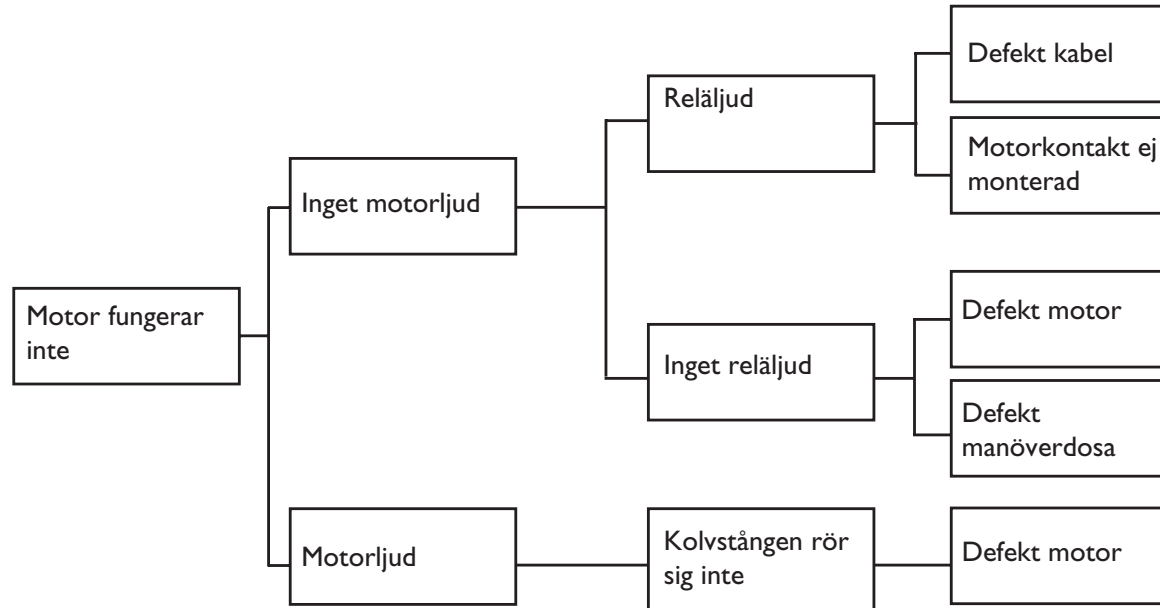
6.3 Underhållsschema

Rekonditionering, service och underhåll av Invacare ScanBeta bör endast utföras av kunnig/utbildad personal Serienummer (återfinns på sängbotten): _____					
Daum:	Signatur:				
Låsringar, låssprintar och fixeringsringar är kontrollerade					
Skruvar och bultar är åtdragna					
Svetsfogar kontrollerade					
Bromsar kontrollerade					
Motorer kontrollerade					
Ledningsdragningar är korrekt upphängda och oskadade. Kontakter är oskadade.					
Lackskador reparerade.					
Grindar och andra trädelar kontrollerade					
Tillbehör kontrollerade					

Det finns möjlighet att teckna serviceavtal med *Invacare*[®] serviceavdelning.
Invacare[®] kan erbjuda kurser i service och underhåll av **Scanbeta**.

7. Felsökning i det elektriska systemet

OBS! Kontrollera att stickkontakten är ansluten till nätspänning.



8. Elektriska data

Anslutningsspänning:	230 V AC/50 Hz.
Max. strömförbrukning:	1 A.
Intermittens (periodisk användning av motorer):	10%, max. 6 minuter/timme.
Max. batterikapacitet:	1,2 Ah.
Skyddsklass för motorer:	IP 66.
Skyddsklass för handkontroll:	IP 54.
Ljudnivå:	55 dB (A).

Dubbelisolerad, klass II, typ B:



Växelström:



Likström:



Brukare är inte avskiljd från jord och chassi:

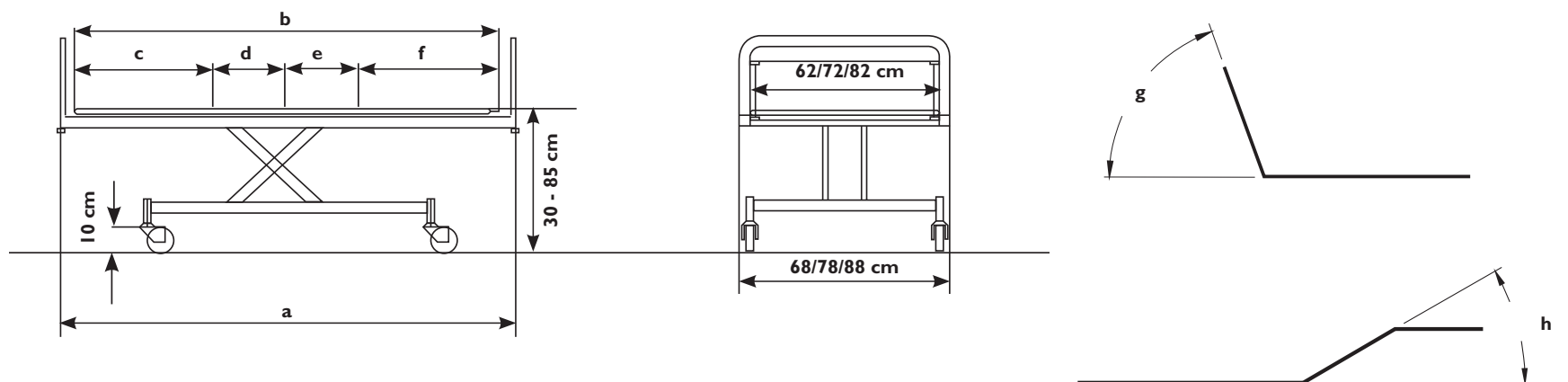


Elektroniken har ingen brytare. Stickkontakten är den enda brytaren för nätspänningen.

9. Tekniska data

9.1 Mått

Alla mått är angivna i cm, alla vinklar i grader. Samtliga mått och vinklar är utan toleranser. Invacare® förbehåller sig rätten att ändra på nedanstående mått och vinklar.



L / W	60 cm	70 cm	80 cm
a (mm)	1480	1680	1880
b (mm)	1364	1564	1764
c (mm)	621,5	671,5	751,5
d (mm)	70	150	190
e (mm)	212	222	271,5
f (mm)	460,5	520,5	551
g	73°	73°	73°
h	36°	31°	27°

9.2 Vikter

Vikttabell		
Sängens delar/storlek	70x160	80x180
Sängbotten	31 kg	38 kg
Underrede med saxarmar	47 kg	47 kg
Sänggavel i trä	13,5 kg	14,5 kg
Barnsängen totalt	91,5 kg	99,5 kg

9.3 Transport- och förvaringsvillkor

- Temperatur mellan -10 och 50 °C
- Relativ luftfuktighet mellan 10 och 80 % RF
- Lufttryck mellan 700 och 1 100 hPa
-

10. Kassering

Denna produkt levereras av en miljömedveten tillverkare i enlighet med direktiv 2002/96/EG om avfall som utgörs av eller innehåller elektriska eller elektroniska produkter (WEEE).

Denna produkt kan innehålla ämnen som kan vara skadliga för miljön om de inte hanteras enligt (deponier) gällande lagstiftning.

Symbolen med den överkryssade soptunnan finns på denna produkt för att uppmana dig att återvinna det som går.

Tänk på miljön och återvinn produkten genom att lämna in den på en lokal återvinningscentral när den inte längre kan användas.



Innholdsfortegnelse

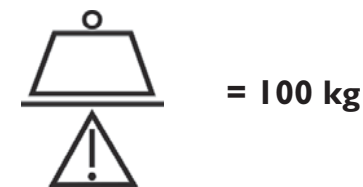
1. Generell informasjon	4
1.1 Bruke produktet	4
1.2 Sertifisering og krav	5
1.3 Forklaring av merking og symboler	6
1.4 Sikkerhetsinstruksjoner og advarsler	7
2. Ved levering	9
2.1 Barnesengens deler	9
2.2 Montere barnesengen	10
2.2.1 Montere delene til sengegavlen	10
2.2.2 Montere sengegavlplatene	11
2.2.3 Montere de faste sengesiden	11
2.2.4 Montere siden som kan skyves nedover	12
2.2.5 Montere sidedørene	13
2.2.6 Montere sidedørene som kan foldes	13
2.2.7 Madrasser	14
2.2.8 Annet tilbehør	14
3. Betjene barnesengen	15
3.1 Bruke håndkontrollen	15
3.2 Bruke styrehjulene med brems	16
3.2.1 Bruke styrehjulene uten et sentralt bremsesystem	16
3.2.2 Bruke styrehjulene med det sentrale bremsesystemet	16
3.3 Bruk av manuelle justeringer	17

4. . Bruke tilbehør	18
4.1 Bruk av siden som kan skyves nedover	18
4.2 Bruk av sidedørene	19
5. Montere og demontere barnesengen	20
5.1 Montere madrassstøtte	20
5.2 Montere rørstiften mellom trykkarmen og basisen	20
5.3 Fjerne madrassstøtten	21
5.4 Montere og fjerne motorer	21
6. Rengjøring og vedlikehold	23
6.1 I Rengjøring	23
6.2 Vedlikehold	23
6.3 Vedlikeholdsplan	24
7. Feilsøking av det elektriske systemet	25
8. Elektriske data	26
9. Tekniske spesifikasjoner	27
9.1 Dimensions	27
9.2 Vekt	28
9.3 Transport og oppbevaring	28
10. Avfallshåndtering	28

Forord

Gratulerer med ditt valg av Invacare® ScanBeta NG barneseng.

- Den totale belastningen på ScanBeta NG barneseng må ikke overstige 100 kg. (SWL = bruker + madrass + sider + annet utstyr).
- ScanBeta NG barneseng er beregnet for bruk til brukeresom krever hjemmesykepleie, på sykehus og i andre helseinstitusjoner.
- ScanBeta NG-barneseng kombinerer stabilitet med ergonomisk utforming, noe som gjør det enkelt å demontere og bruke den.
- ScanBeta NG barneseng må kun brukes i samsvar med denne brukerveiledningen og sikkerhetsinstruksjonene.



Maks. belastning (SWL)

Les hele brukerveiledningen før barnesengen tas i bruk.

Du må gjerne kontakte Invacare® hvis du har spørsmål om hvordan du bruker eller vedlikeholder barnesengen.

Alle instruksjoner som gjelder venstre og høyre forutsetter at det ligger en brukeri barnesengen.

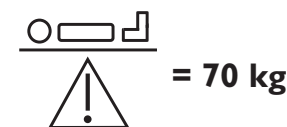
Vær oppmerksom på at det kan være enkelte avsnitt i denne brukerveiledningen som ikke er relevante for din barneseng, da veiledningen gjelder (på publiseringsdatoen) for alle eksisterende modeller.

I. Generell informasjon

I.1 Bruke produktet

- ScanBeta NG barneseng er beregnet for bruk til brukere med begrenset bevegelse og for bruk på sykehus og i andre helseinstitusjoner osv.
- ScanBeta NG barneseng skal kun brukes av brukeremed en kroppsvekt som ikke overstiger 70 kg.
- Høyden på ScanBeta NG barneseng kan justeres, slik at pasienten eller assistenten får en god ergonomisk arbeidsstilling

Ryggplaten, ben- og lårkomponenten eller hele madrassstøtten kan justeres, enten ved hjelp av håndkontrollen eller manuelt, avhengig av sengemodell.



Maks.vekt for pasient

1.2 Sertifisering og krav

Invacare® er sertifisert i henhold til DS/EN ISO 9001 og ISO 13485.

Dette sikrer at produktene vi leverer til våre kunder, alltid holder den samme kvaliteten.

Materialene og produktene blir kvalitetskontrollert av operatørene gjennom hele produksjonsprosessen.

Når produktet er satt sammen, utføres det en avsluttende test. Operatøren som utfører testen, som også omfatter kontroll av alle bevegelige deler, motorer og styrehjul, signerer for mottak av produktet med sitt personlige kvalitetssikringsnummer.

Hvis produktet ikke oppfyller kvalitetskravene som er fastsatt av Invacare®, vil det bli kassert.

Kontakt Invacare® -leverandøren hvis det mot formodning skulle dukke opp problemer knyttet til produktet.

- ScanBeta NG barneseng er CE-merket i samsvar med direktiv 93/42/EØF om medisinsk elektrisk utstyr.
- ScanBeta NG barneseng har gjennomgått en risikovurdering i samsvar med EN ISO 14971:2008.
- ScanBeta NG barneseng er godkjent i samsvar med nordiske kravspesifikasjoner.
- ScanBeta NG barneseng er godkjent i samsvar med EN 60601:1996-03 og EN60601-1-

1.3 Forklaring av merking og symboler



ADVARSEL – Dette symbolet advarer mot farlige situasjoner.

Hvis det ikke iverksettes nødvendige tiltak, kan dette resultere i personskade eller skade på barnesengen

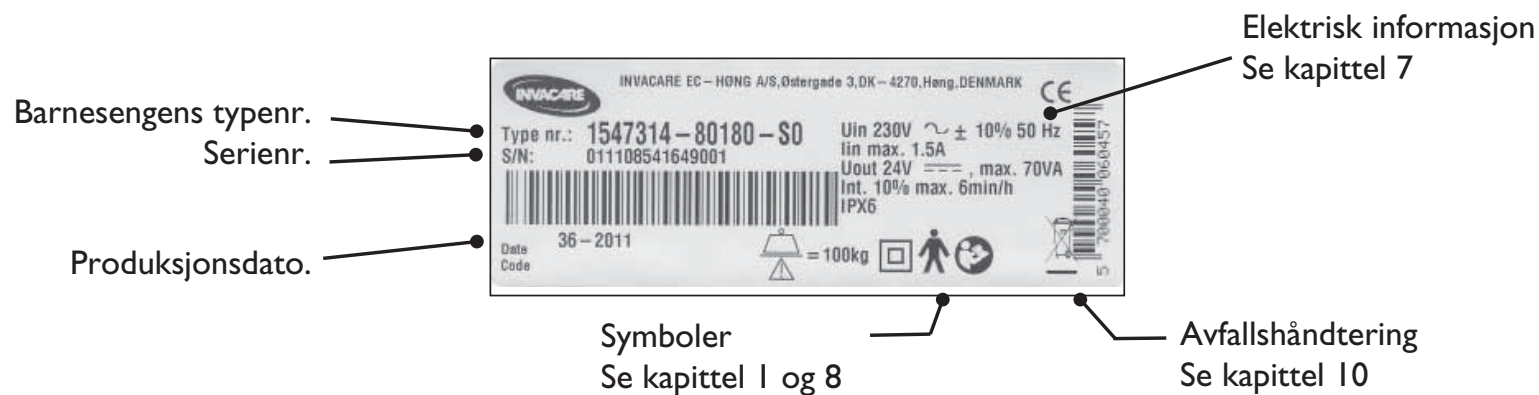


MERK – Dette symbolet informerer om viktig informasjon og instruksjoner.



Instruksjon – Henvisning til brukerveiledningen.

Se på produktetiketten på barnesengens basis for å identifisere den.



1.4 Sikkerhetsinstruksjoner og advarsler

Før barnesengen tas i bruk, må du kontrollere følgende:

- at den totale belastningen på sengen ikke overstiger 100 kg
- at sengen ikke er skadet eller av en eller annen grunn ikke fungerer som den skal
- at sengens ekstrautstyr er riktig montert



Invacare[®] erkjenner ikke ansvar for eventuell feil bruk, eller andre endringer eller montering enn det som er angitt i denne brukerveiledningen. Bruk KUN godkjent tilbehør som er angitt i denne brukerveiledningen. Tilbehør som ikke er godkjent av *Invacare*[®], kan ikke brukes på barnesengen.



Hvis barnesengen er skadet ved levering, skal den ikke brukes før skaden er rettet opp. Se leveringsbetingelsene.



Barnesengen må ikke brukes av brukeresom er over 12 år, eller av brukere hvis kroppsstørrelse er lik eller større enn kroppsstørrelsen til en gjennomsnittlig 12-åring.



Det er en risiko for at pasienten kan gli gjennom åpningene i enden av barnesengen. Det kan resultere i at pasienten kommer i klem eller blir kvalt mellom madrassstøtten, sengesidene og platen i sengegavlen.



Når barnesengen heves eller senkes, kan det være en risiko for at pasienten kommer i klem mellom de bevegelige delene og madrassstøtten. Før høyden, ryggplaten, ben- eller lårkomponentene justeres, må brukeren kontrollere at det ikke er noen blokkeringer eller personer i nærheten som kan være til hinder for at barnesengen kan bevege seg



Det anbefales at håndkontrollen alltid låses etter at den har vært i bruk.
Barn må ikke leke med håndkontrollen.

Hvis håndkontrollen brukes på en måte som ikke er godkjent, kan det oppstå risiko for at personer, særlig barn, kan komme i klem i eller under barnesengen



Pasienten må ikke bruke håndkontrollen uten at pleiepersonalet har gjort en vurdering på forhånd.



Strømledningen må holdes unna alle bevegelige deler.
Dra støpselet ut av vegguttaket før barnesengen flyttes.
Ledningene må festes på en slik måte at de ikke berører gulvet eller blokkerer styrehjulene.



Når sengen ikke er i bruk, må strømledningen kobles fra vegguttaket.



På grunn av fare for kondens må barnesengen ikke brukes før den har nådd en temperatur på over 10 °C

2. Ved levering

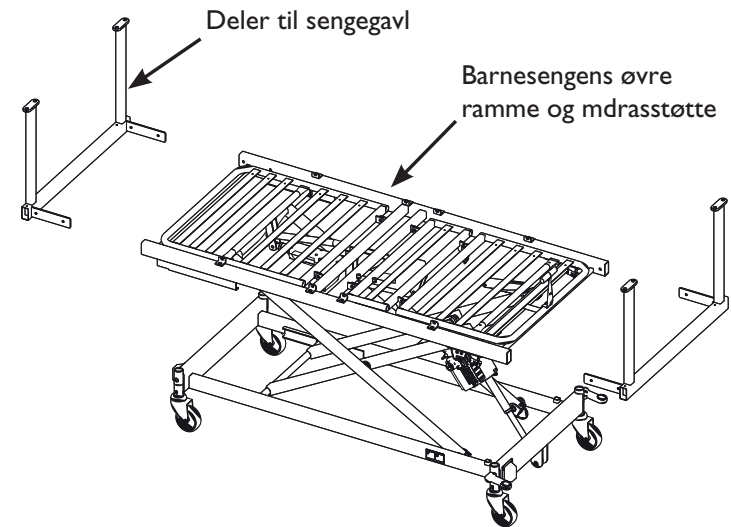
2.1 Barnesengens deler

Kontroller at emballasjen/barnesengen ikke er skadet, og at alle delene medfølger. Se illustrasjonen.

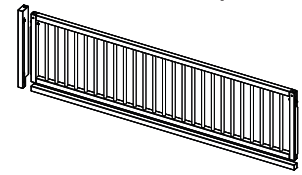
Det finnes mange typer sengesider, og en barneseng kan ha samme type på begge sider, eller ha ulike typer på hver side.

Sengegavldelene og -platene skal alltid monteres på barnesengen i begge ender.

Det kan være ulikheter mellom produktet du har kjøpt og illustrasjonen, avhengig av hvilken modell og hvilket ekstrautstyr du har valg.



Side som kan skyves nedover



Fast side

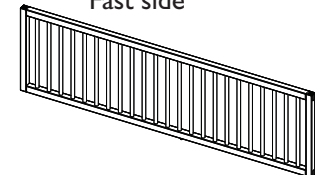
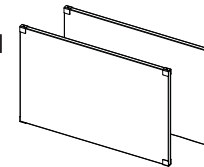
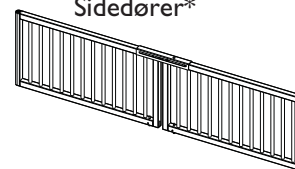


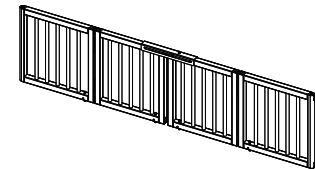
Plate til sengegavl



Sidedører*



Sidedører som kan foldes*



* Sengens sider kan være av plexiglass eller laminat i stedet for tre. Alle illustrasjonene i denne brukerveiledningen er vist i treutførelse.

2.2 Montere barnesengen



Vær forsiktig! Noen av delene til barnesengen er tunge. Løft alltid på riktig måte.



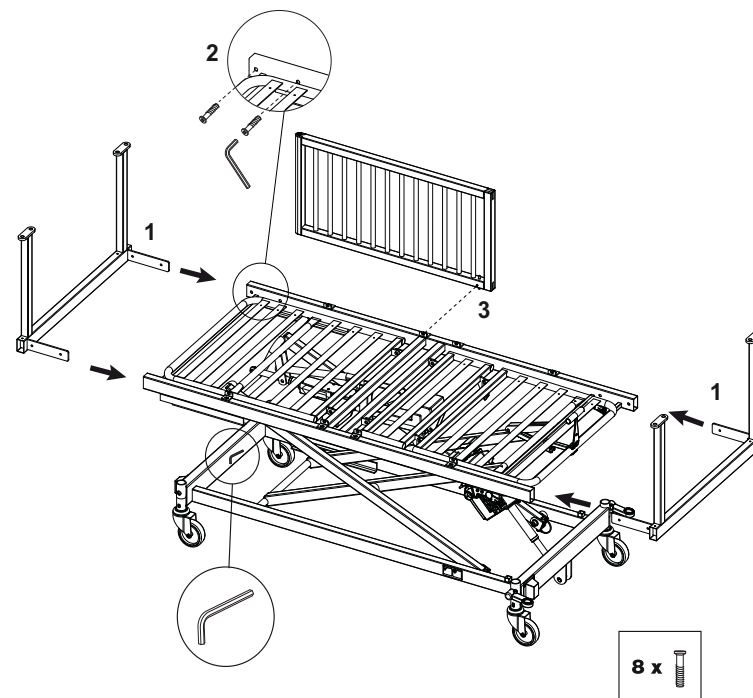
La alltid barnesengen stå i laveste posisjon når den forlates uten tilsyn. Dette er den tryggeste posisjonen dersom pasienten skulle falle ut av sengen.



Ikke gå under barnesengen.

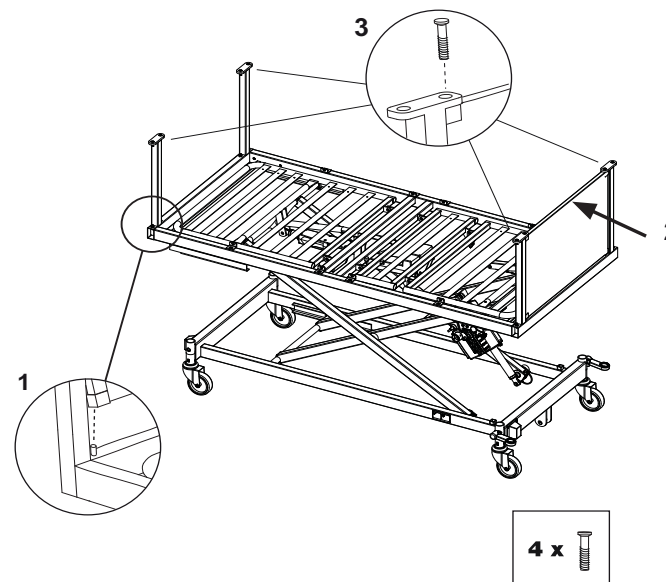
2.2.1 Montere delene til sengegavlen

1. Plasser de to delene av sengegavlen i rørene i siderammen.
2. Stram til de to skruene i hvert hjørne med sekskantnøkkelen, som er festet på basisrammen.
3. Sengegavldelene må justeres.



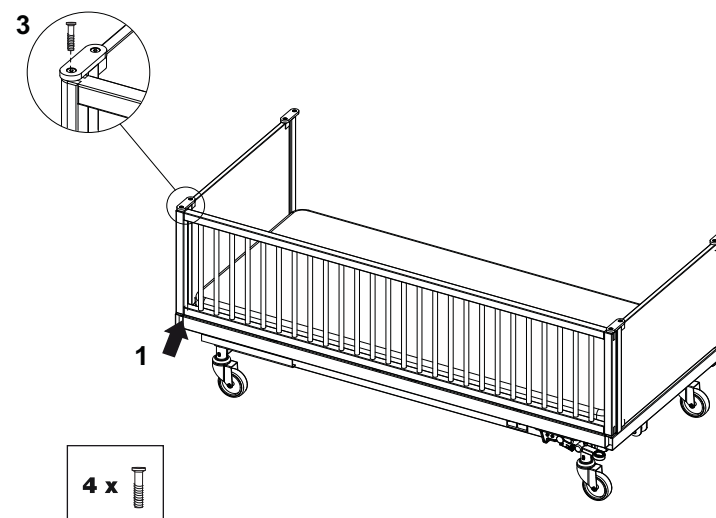
2.2.2 Montere sengegavlplatene

1. Løft platen til sengegavlen slik at føringsstiftene i den øvre rammen går inn i hullene på den nederste kanten av sengegavlplaten.
2. Sving den øvre kanten av sengegavlplaten inn mot toppen av sengegavldelene, slik at hullene øverst på sengens gavlplate er på linje med hullene i sengegavldelen.
3. Fest sengegavlplaten med de to medfølgende skruene.
4. Gjenta trinn 1-3 for sengegavlplaten på den andre siden.
5. Kontroller at sengegavlplaten er riktig montert og ordentlig festet.



2.2.3 Montere de faste sengesiden

1. Plasser den faste sengesiden slik at føringsstiftene i røret i siderammen kan settes inn i messinghylsen nederst på sprinkelverket.
2. Sving den øvre kanten av den faste sengesiden inn mot sengegavlen, slik at hullene i messinghylsen er på linje med hullene, og føringsstiften går i.
3. Fest den faste sengesiden med de to medfølgende skruene.
4. Kontroller at den faste sengesiden er riktig montert og ordentlig festet.

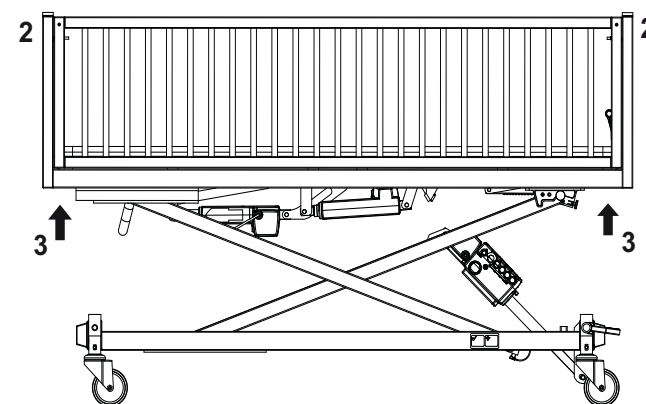
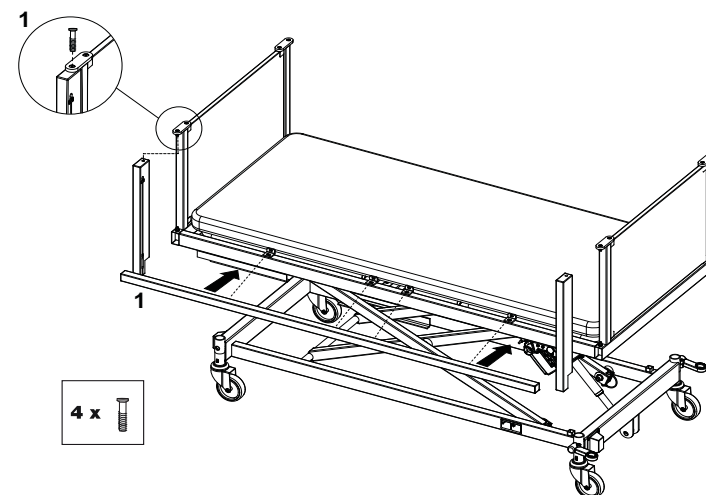


2.2.4 Montere siden som kan skyves nedover

1. Monter trestolpen til hjørnestolpene, og monter trelisten på røret i siderammen med de medfølgende skruene.

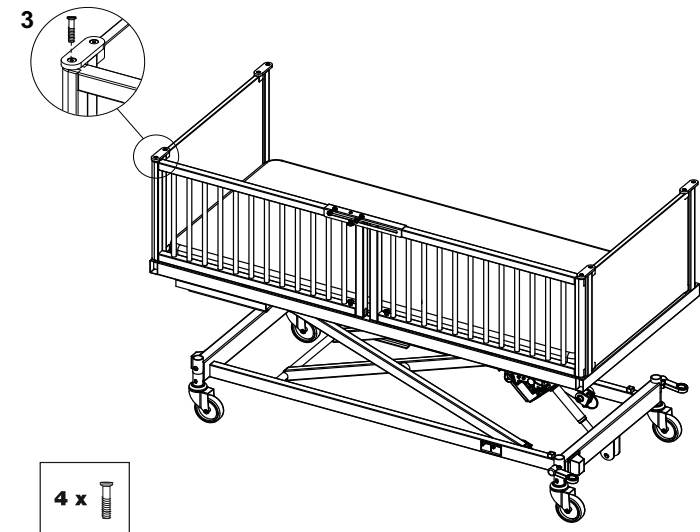
MERK: Sporene må vende inn mot hverandre.

2. Aktiver låsestiftene på hver side av sengesiden.
3. Før plastlisten på siden som kan skyves nedover, opp nedenfra og inn i sporet på trestolpen.
4. Løft siden som kan skyves nedover, opp med begge hender til låsestiftene klikker på plass i hullet på trestolpen.
5. Kontroller at begge låsepinnene er ordentlig festet ved å løfte siden som kan skyves nedover forsiktig opp og ned.



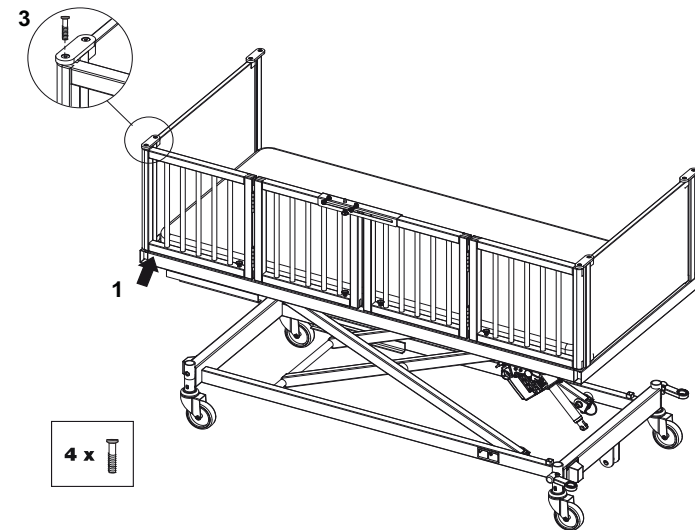
2.2.5 Montere sidedørene

1. Plasser døren slik at føringsstiften i røret på siden går inn i messinghylsen nederst på dørene. Pass på at sengegavldelene står på linje før du gjør dette.
2. Sving den øvre kanten av døren mot sengegavlen, slik at messinghylsen og føringsstiften er på linje med hullet øverst på hjørnestolpen.
3. Fest døren med de medfølgende skruene.
4. Gjenta trinn 1-3 for den andre siden.
5. Kontroller at begge dørene er ordentlig festet og at skruene er strammet til, og påse at dørene kan åpnes og lukkes uten at den henger fast.



2.2.6 Montere sidedørene som kan foldes

1. Plasser foldedørene slik at føringsstiften i den øvre rammen går inn i messinghylsen nederst på dørene. Pass på at sengegavldelene står på linje før du gjør dette.
2. Sving den øvre kanten av foldedøren inn mot sengegavlen, slik at hullene i messinghylsen på den øvre kanten går inn i hullene øverst på hjørnestolpen.
3. Fest sidestolpene med de to medfølgende skruene.
4. Kontroller at foldedørene er ordentlig festet og at skruene er strammet til, og påse at dørene kan åpnes og lukkes uten å henge seg fast.



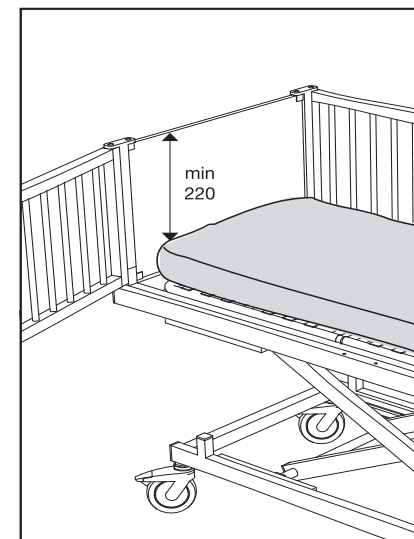
2.2.7 Madrasser

Følgende madrasser kan brukes:

Barnesengstørrelser	Madrasstørrelser	Inkontinenslaken	Bomullslaken.
140x60	140x60	1514560	1547664
160x70	160x70	1514561	1547529
180x80	180x80	1514562	1547528



Det må være minimum 220 mm fra oversiden av madrassen til toppen av sengegavlen.



2.2.8 Annet tilbehør

Veiledning til montering og bruk av tilbehør finnes i håndbøkene som følger med tilbehøret.

Følgende tilbehør er godkjent for bruk med ScanBeta NG barneseng.

- Løftestang
- Polstring
- Støttehåndtak

3. Betjene barnesengen

3.1 Bruke håndkontrollen

Barnesengen er utstyrt med en håndkontroll som kan ha ulike funksjoner, avhengig av modellen.

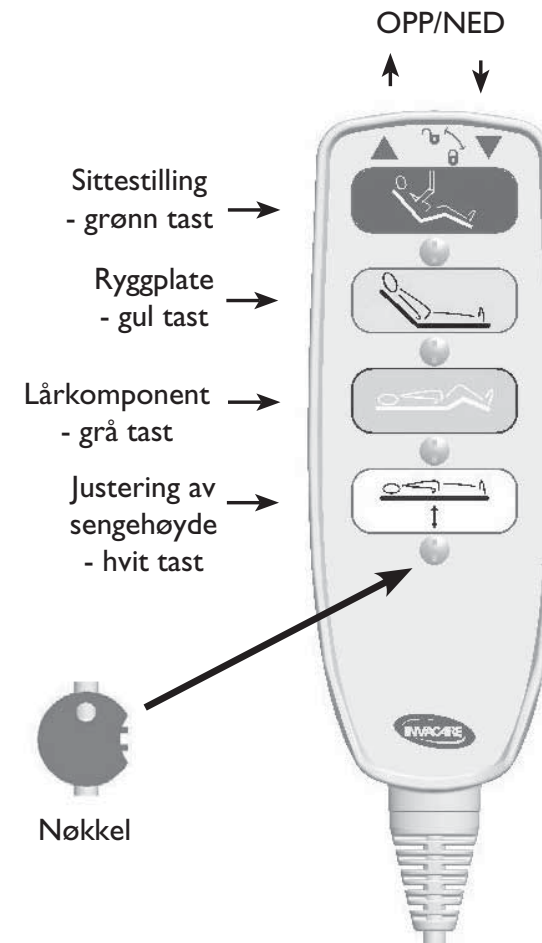
Alle håndkontroller er utstyrt med en nøkkel, slik at barnesengens funksjoner kan låses..



Lås barnesengen når den er i riktig posisjon, for å hindre uønsket bevegelse.

Nøkkel som brukes til å låse og låse opp de elektriske funksjonene

Sett inn nøkkelen under hver enkelt tast for å låse eller låse opp de ulike funksjonene på håndkontrollen.



3.2 Bruke styrehjulene med brems



Av og til kan styrehjulene lage merker på enkelte typer gulv, f.eks. ubehandlede tregulv. Hvis du er i tvil, anbefaler Invacare® at det legges et egnet beskyttelsesdekke mellom styrehjulene og gulvet.

3.2.1 Bruke styrehjulene uten et sentralt bremsesystem

Når barnesengen står i ønsket stilling, må minst ett styrehjul i hodeenden og ett styrehjul i fotenden låses.

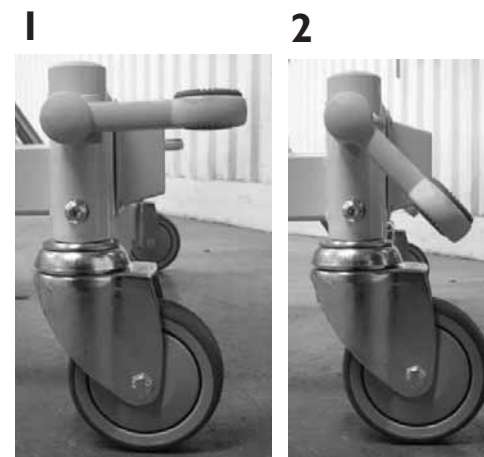
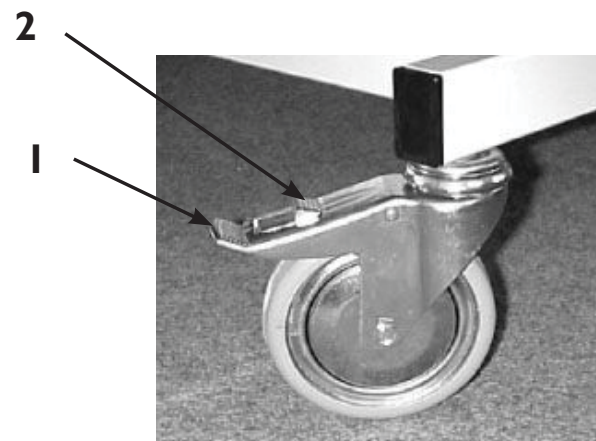
1. **Låse:** Trå på den ytterste delen av pedalen.
2. **Løsne:** Trå på den øverste delen av pedalen
- 3.

Ikke forsøk å løsne bremsen med fingrene, da det kan være fare for å komme i klem.

3.2.2 Bruke styrehjulene med det sentrale bremsesystemet

Når barnesengen står i ønsket posisjon, må bremsene settes på.

1. **Nøytral:** Når pedalen står i vannrett stilling, er ikke bremsene aktivert, og barnesengen kan flyttes.
2. **Koble inn brems:** Trå på pedalen for å aktivere bremsen.



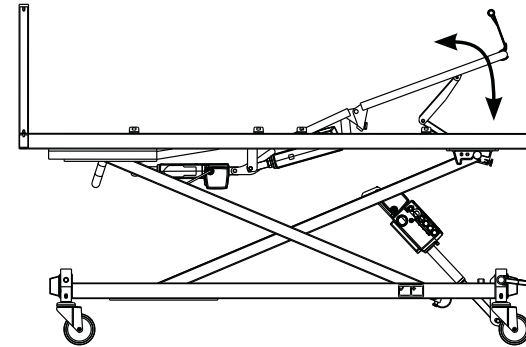
3.3 Bruk av manuelle justeringer

- Innstilling av vinkel

1. Vinkelen på benkomponenten justeres ved å løfte benkomponentrammen til ønsket posisjon.
2. Senk rammen forsiktig til Rastofix-installasjonen går i lås.

- Vannrett innstilling:

1. Løft benkomponenten til Rastofix-installasjonen kobles fra.
2. Senk benkomponenten forsiktig til vannrett stilling.



4. . Bruke tilbehør

4.1 Bruk av siden som kan skyves nedover



Det er en risiko for at siden som kan skyves nedover, kan falle ned, noe som kan forårsake skade på føttene. Hold et fast grep om denne siden når du skal bruke den.

- Ned

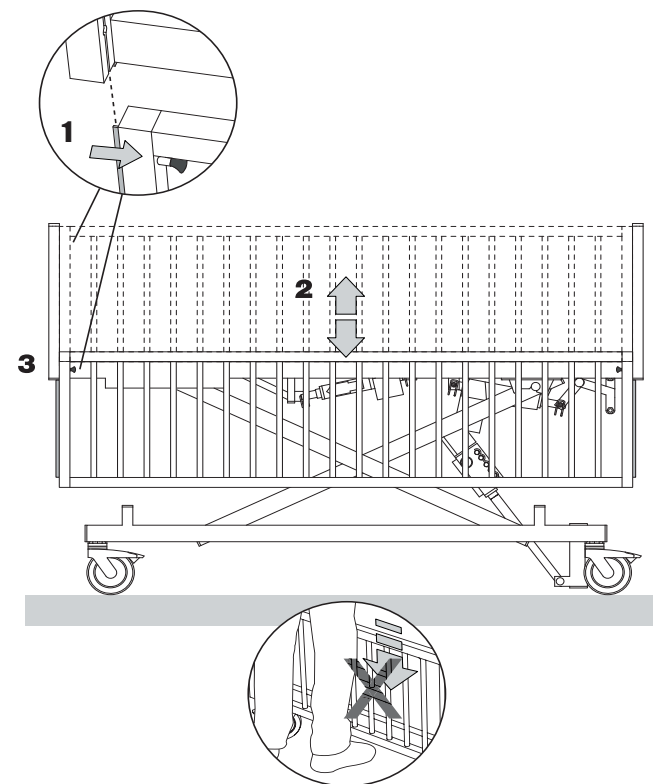
1. Løft den litt opp og frigjør låsestiftene på begge sider.
2. Dra siden forsiktig nedover med begge hender.
3. Når siden er i laveste posisjon, klikker låsestiftene på plass i de nederste hullene på trestolpen.

- Opp

1. Frigjør låsestiftene på begge sider.
2. Løft siden forsiktig opp med begge hender.
3. Når siden er i høyeste posisjon, klikker låsestiftene på plass i de øverste hullene på trestolpen.
4. Kontroller alltid at begge låsestiftene er riktig plassert i hullene i trestolpen.

- Demontere

1. Åpne siden som kan skyves nedover.
2. Frigjør låsestiftene på begge sider.
3. Før siden forsiktig ned og ut av sporene.
4. Siden som kan skyves nedover, er fjernet



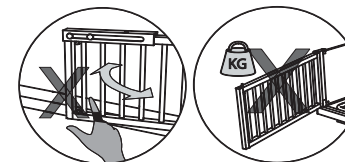
4.2 Bruk av sidedørene



Pass på at ikke fingre kommer i klem når du åpner og lukker dørene.



Det må ikke lenes noe mot døren når den er åpen, da kan barnesengen velte. Maksimal åpningsvinkel er 90°.



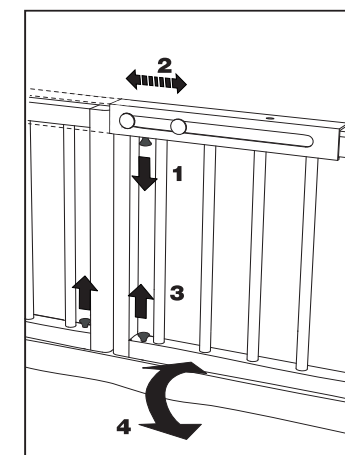
- Åpne

1. Barnelåsbraketten åpnes på følgende måte:
2. Dra ned låsestiften øverst på døren.
3. Skyv rekkverket til den ene siden.
4. Dra opp låsestiftene nederst på dørene. (Foldedører har to låsestifter på hver dør).
5. Åpne dørene.

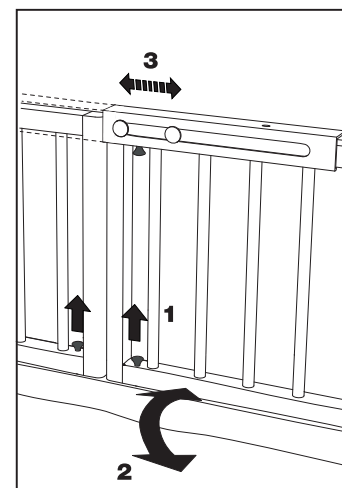
- Lukk

1. Dra opp låsestiftene nederst på begge dørene.
2. Lukk dørene. Kontroller at låsestiften går inn i hullet i rekkverket.
3. Skyv rekkverket til den ene siden til låsestiften går i lås.
4. Kontroller at dørene er ordentlig lukket.

Åpne



Lukk



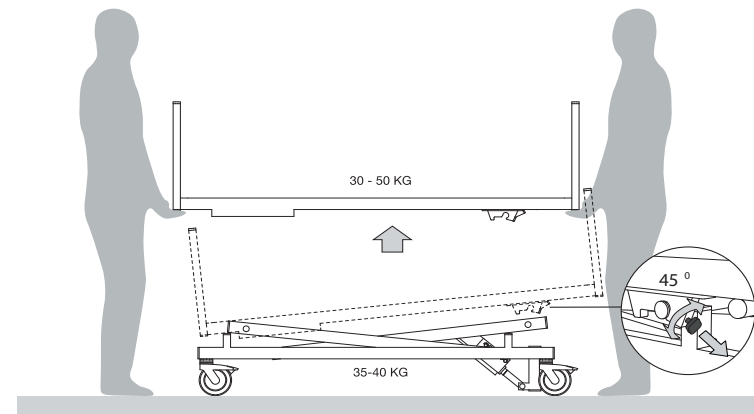
5. Montere og demontere barnesengen



Minst to personer behøves for å montere/demontere madrassstøtten. Pass på at ikke fingre kommer i klem ved montering av barnesengen.

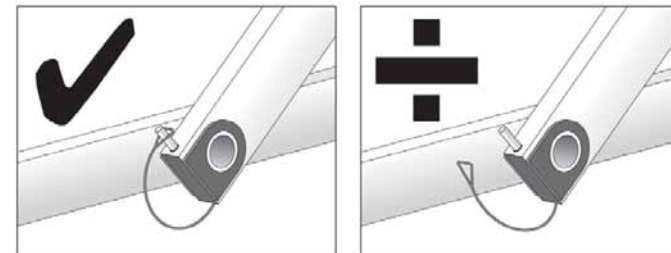
5.1 Montere madrassstøtte

1. Løft madrassstøtten opp over basisen.
2. Senk madrassstøtten forsiktig, slik at plastsyndrene glir inn i glideskinnen på begge sider av basisen.
3. Senk fotenden forsiktig, slik at akselendene går inn i fjærlåsen.
4. Lås fjærlåsen ved å dra ut den røde knappen og vri den 45° mot urviseren til den går i lås.
5. Det kan være at motorene må monteres på nytt. (se kapittel 5.3)
6. Kontroller at barnesengen er riktig satt sammen, og at begge fjærlåsene er på plass og låst.



5.2 Montere rørstiften mellom trykkarmen og basisen

1. Rørstiften må monteres med åpningen vendt oppover, og låses.
2. Kontroller at rørstiftene settes helt inn gjennom begge hullene i den rørformede delen, og at fjærklemmen er festet ordentlig til den delen av stiften som er festet i sengen, før sengens løftemekanisme tas i bruk.
3. Kontroller også at alle de fire plasthylsene er hele, og at de er riktig plassert mellom trykkarm/basis og mellom trykkarm / øvre ramme.



i NB! Ikke dra i klemmedelen av rørstiften ved demontering – klemmen kan blir bøyd, slik at den ikke går ordentlig i lås.

5.3 Fjerne madrassstøtten

1. Undersøk om det er montert motorer direkte på madrassstøtten eller mellom madrassstøtten og basisen. Hvis det er det, må disse fjernes før du kan fjerne madrassstøtten. (Se kapittel 5.3 om fjerning av motorer).
2. Frigjør de to fjærlåsene ved å dra den røde knappen helt ut og vri den 45° mot urviseren.
3. Løft sengeenden som er nærmest fjærlåsene.
4. Dra madrassstøtten bakover, slik at glidestykkene kan gli i sporet i sideskinnene.
5. Løft madrassstøtten i begge ender.



Kontroller at styrehjulene er låst.

5.4 Montere og fjerne motorer



Dra støpselet til strømledningen ut av vegguttaket før motorene fjernes.



Ledningene må festes på en slik måte at de ikke setter seg fast i de bevegelige delene på barnesengen.



Hvis motoren som kan justeres i høyden skal fjernes, behøves det minst to personer til å holde madrassstøtten, og én til å fjerne motoren.

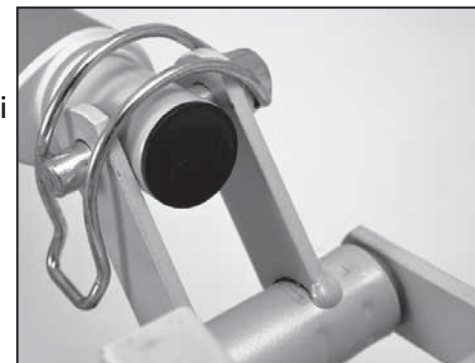
Hvis motorer med integrerte kontrollenheter skal fjernes/monteres, må alle ledningene til de andre motorene, så vel som til håndkontrollen, fjernes/monteres

Alle kontrollenheter har en låseknast som må frigjøres før kontaktene kan trekkes ut av kontrollenheten.

1. Frigjør låseknasten ved å trykke de små låsestiftene ut med en skrutrekker.
2. Når monteringen er fullført, må låseknasten settes på plass igjen.
3. Trykk låseknasten ned, slik at låsestiftene koples inn.

- Montere motoren

1. Sett motoren i gaffelfestet og dra gjennom låsesplinten.
2. Lås splinten.
3. Sett kontaktene inn i kontrollenheten. Påse at kontakten går riktig vei, og at den er satt inn i kontrollenheten på riktig måte.
4. Sett på plass låseknasten.
5. Kontroller at alle delene fungerer som de skal



- Fjerne motoren

Når motoren som kan justeres i høyden skal fjernes, må madrassstøtten holdes oppe av to personer.

1. Fjern låseknasten og dra ledningene ut av kontrollenheten.
2. Åpne låsesplintene i begge ender av motoren og dra dem ut.
3. Motoren kan nå fjernes, og madrassstøtten kan senkes til laveste posisjon.

(På noen modeller er motoren festet med bolter i hver ende, og disse må fjernes).



6. Rengjøring og vedlikehold

6.1 I Rengjøring



Kontroller at strømledningen er koblet fra vegguttaket før barnesengen rengjøres.

Barnesengen **ScanBeta NG** kan ikke rengjøres i vaskemaskiner eller med høytrykksspyler.

- Rengjør sengen med en myk, oppvridd klut.
- Bruk bare nøytrale, flytende vaskemidler uten løsemidler.
- Elektriske deler må rengjøres med en tørr klut

6.2 Vedlikehold



Kun personale som har fått nødvendige instruksjoner og opplæring skal utføre service og vedlikehold på barnesengen **ScanBeta NG**.

- Før bruk

Kontroller at alle manuelle og elektriske deler fungerer som de skal, og er sikret.

- Etter tre måneders bruk

Kontroller at alle manuelle og elektriske deler fungerer, og stram til alle bolter, skruer, muttere osv.

- Hvert år

Det må utføres service i henhold til service- og vedlikeholdsplanen. Se kapittel 6.3, Vedlikeholdsplan.

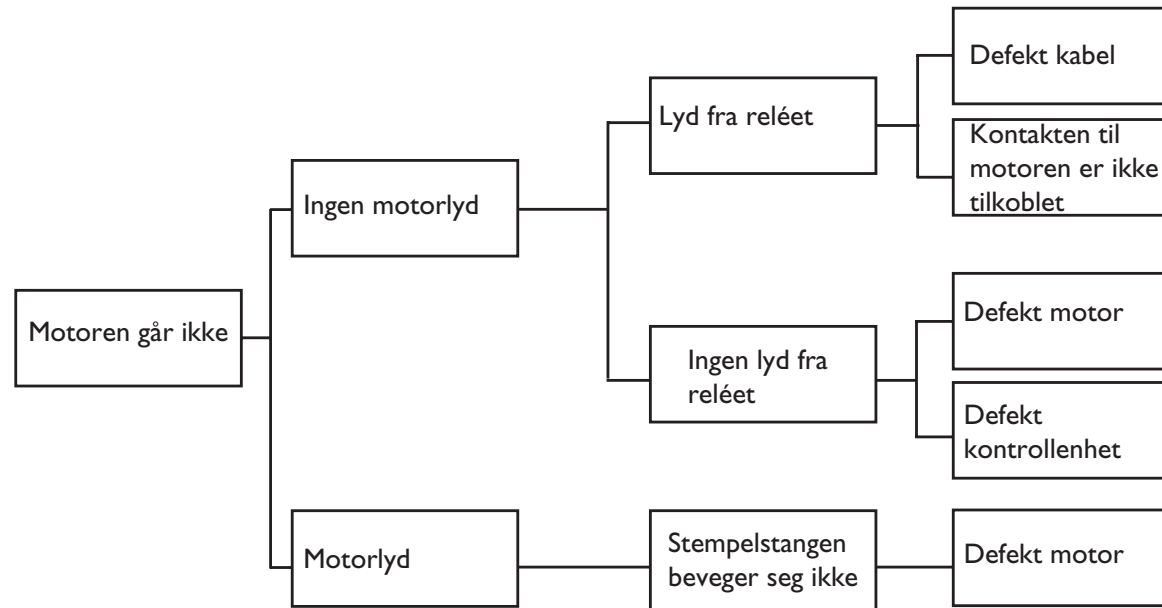
6.3 Vedlikeholdsplan

Kun personale som har fått nødvendige instruksjoner og opplæring skal utføre service og vedlikehold på ScanBeta NG. Serienr. (finnes på barnesengens basis): _____					
Dato:	Initialer:				
Sikringsbøyler, låsesplinter og festering i plast er kontrollert					
Skruer, bolter og muttere er strammet til					
Skjøter er kontrollert					
Bremser på styrehjul er kontrollert					
Motorer for høydejustering, ryggplate og benstøtte er kontrollert					
Kablene er riktig hengt opp og uskadet. Kontakten er uskadet					
Skadet belegg er reparert					
Deler av tre og dører er kontrollert					
Tilbehør er kontrollert					

Det kan inngås en servicekontrakt i land hvor Invacare® har sin egen salgsorganisasjon.
Invacare® kan også tilby kurs i service og vedlikehold av **ScanBeta NG**.

7. Feilsøking av det elektriske systemet

- Kontroller at strømledningen er koblet til.



8. Elektriske data

Spenning:	230 V AC/50 Hz.
Maks. strømstyrke:	1 A.
Pulserende strøm (ved periodisk bruk av motorer):	10%, max. 6 minutes/hour.
Maks. batterikapasitet::	1,2 Ah.
Verneklasse motor:	IP 66.
Verneklasse håndkontrollen:	IP 54.
Støynivå:	55 dB (A).

Dobbeltisolert, klasse II, type B:



Vekselstrøm:



Likestrøm:



Pasienten er ikke separert fra gulv og understell:

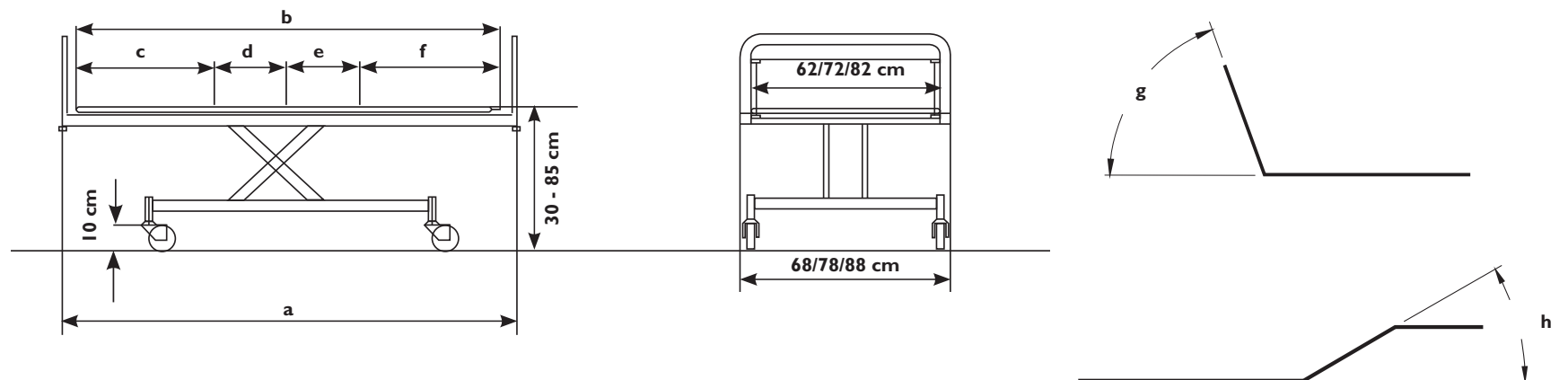


Kontrollenheten har ingen av-bryter, derfor er å dra ut støpselet den eneste måten å koble fra strømmen.

9. Tekniske spesifikasjoner

9.1 Dimensions

Alle mål er oppgitt i cm. Alle vinkler er oppgitt i grader. Alle mål og vinkler er oppgitt uten avvik, på en seng som ikke kan forlenges. Sengen kan forlenges henholdsvis fem og ti cm i begge ender. *Invacare*® forbeholder seg retten til å endre de gitte målingene og vinklene uten varsel.



L / W	60 cm	70 cm	80 cm
a (mm)	1480	1680	1880
b (mm)	1364	1564	1764
c (mm)	621,5	671,5	751,5
d (mm)	70	150	190
e (mm)	212	222	271,5
f (mm)	460,5	520,5	551
g	73°	73°	73°
h	36°	31°	27°

9.2 Vekt

Vektdiagram		
Barnesengens deler/størrelse	70x160	80x180
Madrasstøtte	31 kg	38 kg
Basis med trykkstang	47 kg	47 kg
Sengegavl i tre	13,5 kg	14,5 kg
Barnesengens totalvekt	91,5 kg	99,5 kg

9.3 Transport og oppbevaring

- Temperaturer mellom -10° og 50 °C
- Relativ luftfuktighet mellom 10 og 80 % RH
- Lufttrykk mellom 700 og 1100 hPa

10. Avfallshåndtering

Dette produktet er levert av en miljøbevisst produsent i overensstemmelse med direktiv 2002/96/EF om avfall fra elektrisk og elektronisk utstyr (WEEE).

Produktet kan inneholde stoffer som kan skade miljøet dersom de ikke blir avfallshåndtert i samsvar med gjeldende lovgivning.

Symbolet med en søppelkasse med kryss over er satt på produktet for å oppmuntre til gjenvinning hvor det er mulig.

Vi ber deg vise miljøansvar og levere dette produktet til den lokale gjenvinningsstasjonen.



Table des matieres

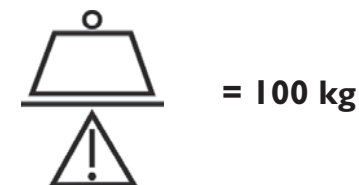
1. Informations générales	4
1.1 Utilisation du produit	4
1.2 Homologation et exigences	5
1.3 Signification des étiquettes et des symboles	6
1.4 Instructions de sécurité et avertissements	7
2. A la livraison	9
2.1 Pièces du lit	9
2.2 Montage du lit pour enfant	10
2.2.1 Fixation des extrémités du lit	10
2.2.2 Montage des panneaux du lit	11
2.2.3 Montage des barrières fixes du lit	11
2.2.4 Montage de la barrière coulissant vers le bas	12
2.2.5 Montage des portes latérales	13
2.2.6 Montage des portes latérales pliantes	13
2.2.6 Matelas	14
2.2.7 Autres accessoires	14
3. Utilisation du lit pour enfant	15
3.1 Utilisation de la télécommande	15
3.2 Fonctionnement des freins des roulettes	16
3.2.1 Fonctionnement des roulettes sans système de freinage centralisé	16
3.3 Utilisation des réglages manuels	17

4. Utilisation des accessoires	18
4.1 Utilisation de la barrière coulissant vers le bas	18
4.2 Utilisation des portes latérales	19
5. Assemblage et désassemblage du lit	20
5.1 Assemblage du sommier	20
5.2 Montage de la goupille pour tube entre les croisillons et la base	20
5.3 Démontage du sommier	21
5.4 Montage et démontage des moteurs	21
6. Nettoyage et maintenance	23
6.1 Nettoyage	23
6.2 Maintenance	23
6.3 Programme de maintenance	24
7. Dépannage du système électrique	25
8. Caractéristiques électriques	26
9. Spécifications techniques	27
9.1 Dimensions	27
9.2 Poids	28
9.3 Conditions de transport et de stockage	28
10. Élimination	28

Avant-propos

Nous vous remercions d'avoir choisi le lit pour enfant Invacare ScanBeta NG d'Invacare®.

- La charge totale supportée par le lit pour enfant **Invacare ScanBeta NG** ne doit pas dépasser 100 kg (charge maximale d'utilisation ou CMU = patient + matelas + barrières + autre équipement).
- Le lit pour enfant **Invacare ScanBeta NG** est destiné aux patients nécessitant des soins à domicile, à l'hôpital ou dans d'autres établissements de santé.
- Le lit pour enfant **Invacare ScanBeta NG** allie la stabilité à l'ergonomie et peut facilement être démonté et utilisé.
- Le lit pour enfant **Invacare ScanBeta NG** doit être utilisé en respectant strictement les instructions de sécurité contenues dans le présent manuel d'utilisation.



Veillez lire l'intégralité du manuel d'utilisation avant de vous servir du lit.

Nous vous invitons à contacter Invacare® si vous avez des questions concernant l'utilisation ou l'entretien du lit.

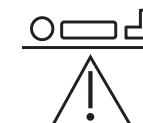
Toutes les références à la droite et à la gauche partent du principe que le patient est allongé sur le dos dans le lit.

Veillez noter que certaines sections du présent manuel d'utilisation peuvent ne pas s'appliquer à votre lit, étant donné que le manuel concerne tous les modèles disponibles à la date de publication.

I. Informations générales

I.1 Utilisation du produit

- Le lit pour enfant Invacare ScanBeta NG est destiné aux patients présentant une mobilité réduite, ainsi qu'aux hôpitaux ou autres établissements de santé.
- Le lit pour enfant Invacare ScanBeta NG ne doit être utilisé que par des patients dont le poids n'excède pas 70 kg.
- La hauteur du lit Invacare ScanBeta NG peut être réglée pour donner une position ergonomique au patient ou à la personne qui l'assiste



Selon le modèle, le relève-buste, la plicature, le relève-jambes ou la totalité du sommier peuvent être réglés à l'aide d'une télécommande ou manuellement.

1.2 Homologation et exigences

Invacare® est certifié DS/EN ISO 9001 et ISO 13485.

Ceci garantit aux clients que les produits proposés sont tous de la même qualité.

Tout au long de la chaîne de production, la qualité du matériel et des produits est contrôlée par les opérateurs.

Une fois le produit assemblé, un test final est effectué. L'opérateur chargé de ce test, qui consiste notamment à vérifier les pièces mobiles, les moteurs et les roulettes, signe le reçu du produit en apposant son numéro QA (assurance de la qualité) personnel.

Si le produit ne répond pas aux critères de qualité établis par Invacare®, il est mis au rebut.

Si, contre toute attente, le produit fourni présente des anomalies, veuillez contacter votre fournisseur Invacare® local.

- Le lit pour enfant Invacare ScanBeta NG porte la marque CE qui certifie qu'il est conforme à la directive européenne 93/42/CEE relative aux équipements médicaux.
- Le lit pour enfant Invacare ScanBeta NG a fait l'objet d'une évaluation des risques conformément à la norme EN ISO 14971:2008.
- Le lit pour enfant Invacare ScanBeta NG a été approuvé conformément au document Nordic Requirement Specification (spécification des exigences pour les régions nordiques).
- Le lit pour enfant Invacare ScanBeta NG a été homologué conformément aux normes EN 60601:1996-03 et EN60601-1-2.

1.3 Signification des étiquettes et des symboles



AVERTISSEMENT : ce symbole avertit l'utilisateur d'un danger.

Si les précautions nécessaires ne sont pas prises, des blessures peuvent s'ensuivre ou le lit peut être endommagé.



REMARQUE : ce symbole indique des informations et instructions importantes.



Instruction : ce symbole indique une référence au manuel d'utilisation

Le numéro d'identification du lit se trouve sur l'étiquette apposée sur la base de celui-ci.



I.4 Instructions de sécurité et avertissements

Avant d'utiliser le lit, vérifiez toujours les points suivants :

- La charge totale supportée par le lit ne dépasse pas 100 kg.
- Le lit n'est pas endommagé et fonctionne correctement.
- Les accessoires du lit sont correctement fixés.



Invacare[®] n'est en aucun cas responsable si le lit est utilisé de façon incorrecte, ou s'il est modifié ou assemblé sans respecter strictement les instructions du manuel d'utilisation. Utilisez **UNIQUEMENT** les accessoires autorisés tel que stipulé dans le présent manuel d'utilisation. Les accessoires non approuvés par *Invacare*[®] ne peuvent pas être utilisés avec le lit pour enfant.



Si le lit est endommagé à la livraison, il ne doit pas être utilisé tant que le dommage n'est pas réparé. Voir les conditions de livraison.



Le lit ne doit pas être utilisé pour des enfants de plus de 12 ans, ni pour des patients dont la taille est égale ou supérieure à celle d'un enfant de 12 ans.



Il existe un risque de glissement pour le patient par les ouvertures situées à l'extrémité du lit. Celui-ci peut alors être coincé entre le sommier, les barrières et le panneau à l'extrémité du lit et s'asphyxier.



Lorsque le lit est relevé ou abaissé, il existe un risque pour le patient de coincement entre les pièces mobiles et le sommier.

Avant de régler la hauteur, le relève-buste, la plicature ou le relève-jambes, l'utilisateur doit s'assurer que rien à proximité (personne ou objet) ne risque d'entraver le mouvement du lit.



Nous vous conseillons de verrouiller la télécommande après chaque utilisation. Les enfants ne doivent pas jouer avec la télécommande. Si la télécommande n'est pas utilisée conformément à nos instructions, les personnes, en particulier les enfants, risquent d'être coincées dans ou sous le lit.



Le patient ne doit pas utiliser la télécommande sans l'approbation du personnel soignant.



Le câble d'alimentation ne doit pas toucher les pièces mobiles. Débranchez la fiche de la prise murale avant de déplacer le lit. Les câbles doivent être placés de manière à ne pas toucher le sol et à ne pas bloquer les roulettes.



Lorsque le lit n'est pas utilisé, le câble d'alimentation doit être débranché de la prise murale.



En raison de la formation de condensation, le lit ne doit pas être utilisé tant qu'il n'a pas atteint une température supérieure à 10 °C.

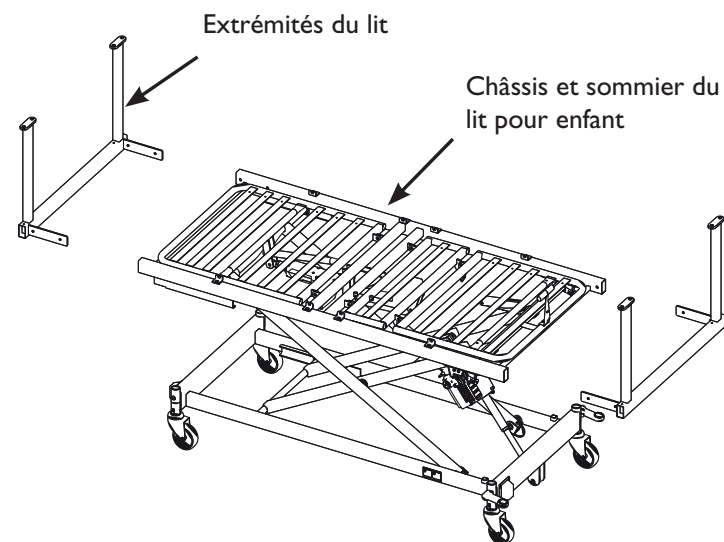
2. Au livraison

2.1 Pièces du lit

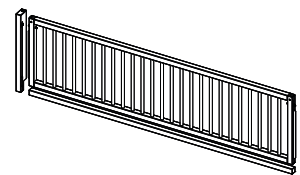
Vérifiez que l'emballage et le lit ne soient pas endommagés et que toutes les pièces sont incluses. Voir l'illustration.

Il existe plusieurs types de barrières, et un lit peut présenter le même type sur les deux côtés ou différents types sur chaque côté. Les pièces et panneaux de l'extrémité du lit doivent toujours être montés aux deux extrémités du lit.

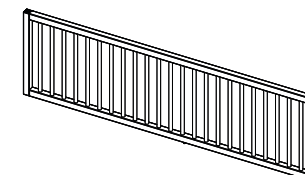
Il peut y avoir une différence entre votre produit et l'illustration, en fonction du modèle et de l'équipement supplémentaire que vous avez choisis.



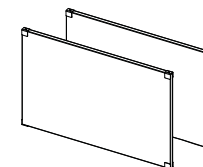
Barrière coulissant vers le bas



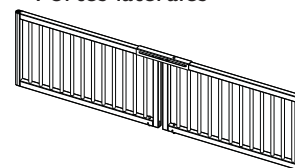
Barrière fixe



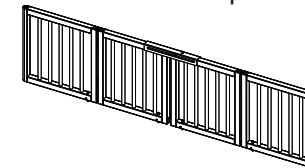
Panneaux du lit



Portes latérales*



Portes latérales pliantes*



* Les barrières du lit peuvent être en plexiglas ou en stratifié et non en bois. Dans toutes les illustrations de ce manuel d'utilisation, elles sont en bois.

2.2 Montage du lit pour enfant



Attention ! certaines pièces du lit sont lourdes. Prenez des précautions lorsque vous les soulevez.



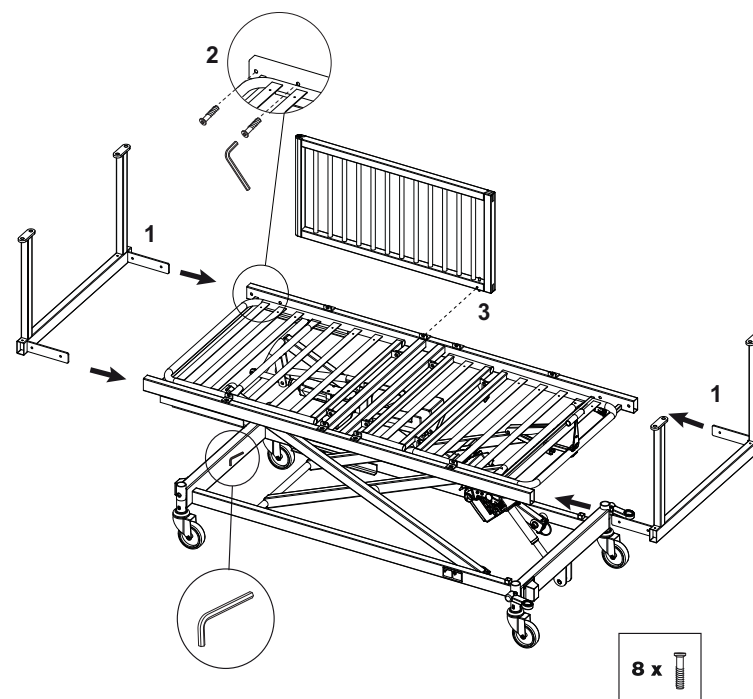
Mettez toujours le lit à la position la plus basse. C'est la position la plus sûre au cas où un patient tomberait du lit.



Ne passez pas sous le lit.

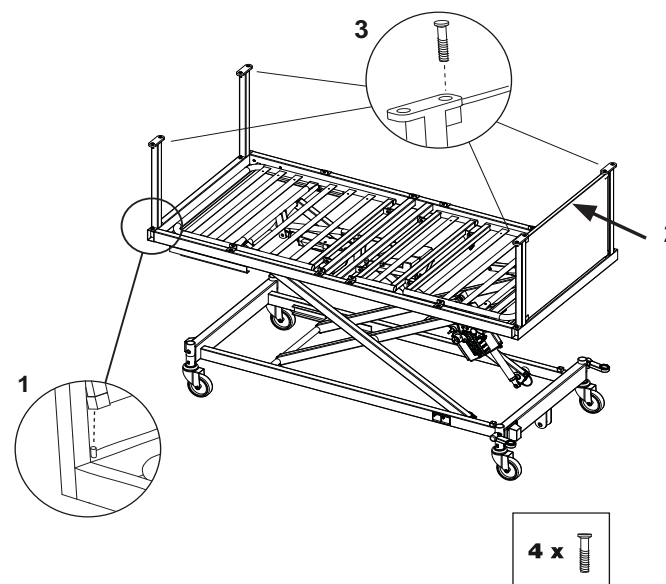
2.2.1 Fixation des extrémités du lit

1. Placez les deux extrémités du lit dans les tubes latéraux du châssis.
2. Serrez les 2 vis à chaque angle à l'aide de la clé hexagonale fixée au châssis inférieur.
3. Les extrémités du lit doivent être alignées



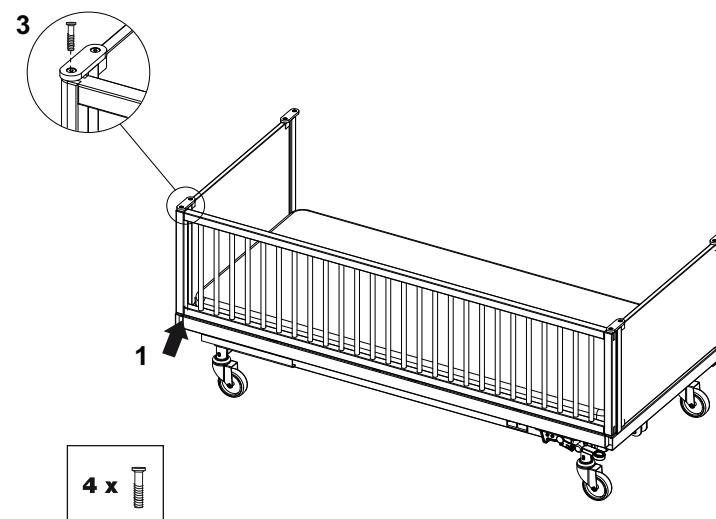
2.2.2 Montage des panneaux du lit

1. Soulevez le panneau de sorte que les broches de guidage du châssis puissent s'engager dans les orifices du bord inférieur du panneau.
2. Basculez le bord supérieur du panneau vers la partie supérieure des extrémités du lit de sorte que les orifices de la partie supérieure du panneau soient dans l'alignement des orifices des extrémités du lit.
3. Fixez le panneau à l'aide des 2 vis fournies.
4. Répétez les étapes 1 à 3 pour l'autre panneau.
5. Veillez à ce que les panneaux du lit soit solidement montés et fixés.



2.2.3 Montage des barrières fixes du lit

1. Placez la barrière fixe du lit de sorte que les broches de guidage du tube latéral du châssis puissent s'engager dans la douille en laiton de la partie inférieure de la barrière.
2. Basculez le bord supérieur de la barrière vers l'extrémité du lit de sorte que les orifices de la douille en laiton soient dans l'alignement des autres orifices et que la broche de guidage se mette en place.
3. Fixez la barrière à l'aide des 2 vis fournies.
4. Veillez à ce que la barrière fixe soit solidement montée et fixée.

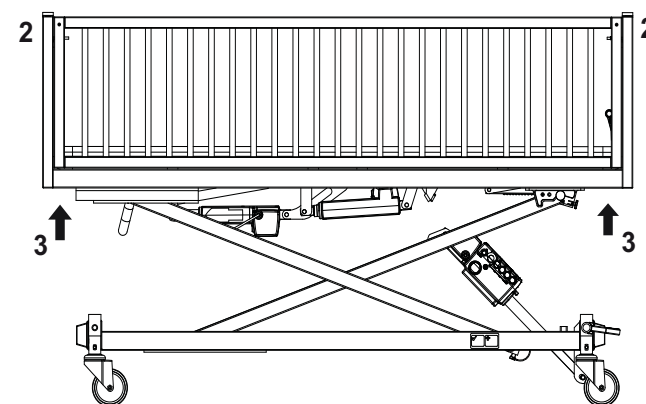
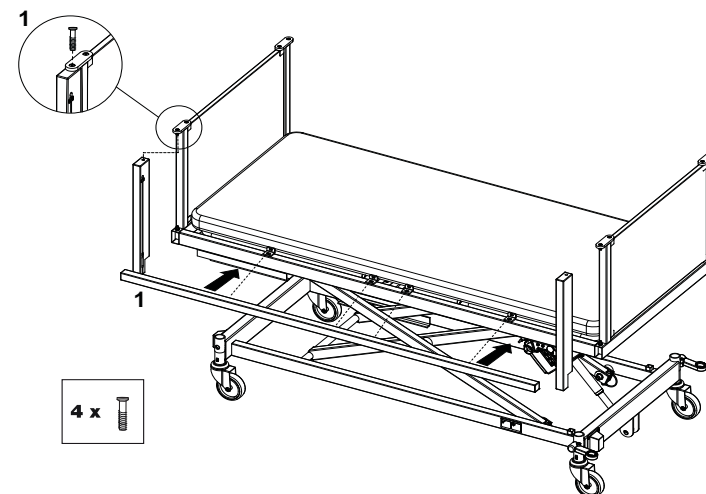


2.2.4 Montage de la barrière coulissant vers le bas

1. Fixez le montant en bois sur les montants des angles et fixez le rail en bois sur le tube latéral du châssis à l'aide des vis fournies.

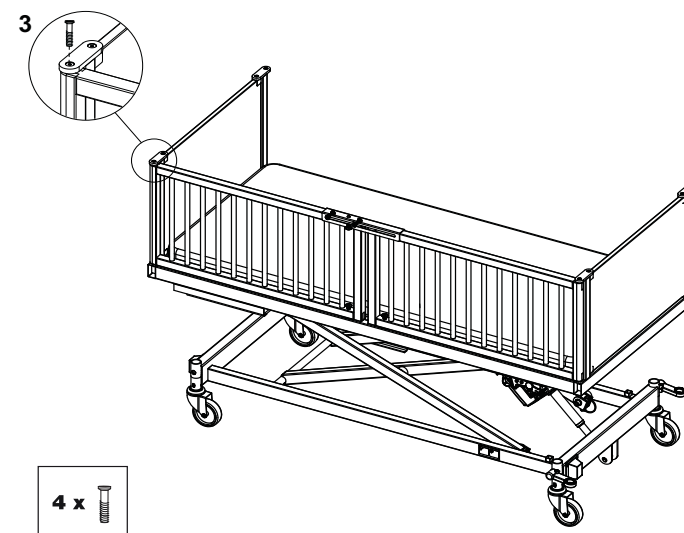
REMARQUE: les orifices doivent se faire face.

2. Actionnez les goupilles de verrouillage de chaque côté du lit.
3. Engagez le rail en plastique de la barrière coulissant vers le bas de bas en haut et dans l'orifice du montant en bois.
4. Soulevez la barrière à deux mains jusqu'à ce que vous entendiez la goupille de verrouillage s'enclencher dans l'orifice du montant en bois.
5. Vérifiez que les deux goupilles de verrouillage sont bien en place en soulevant et en abaissant légèrement la barrière



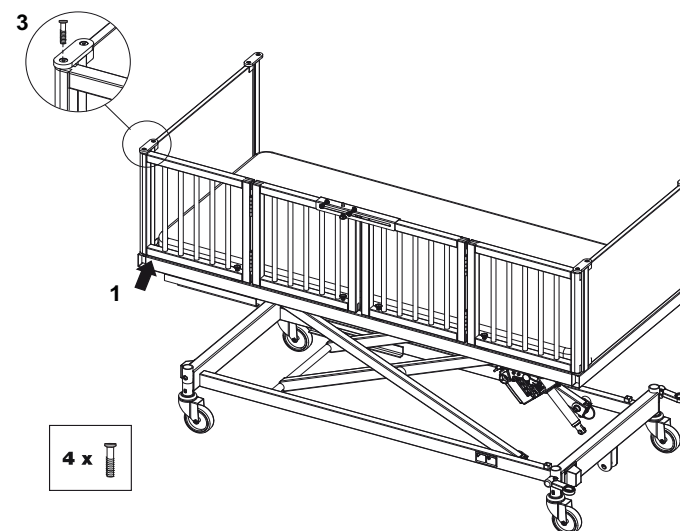
2.2.5 Montage des portes latérales

1. Placez la porte de sorte que la broche de guidage du tube latéral puisse s'engager dans la douille en laiton de la partie inférieure de la porte. Pour faciliter cette opération, assurez-vous que les extrémités du lit sont alignées.
2. Basculez le bord supérieur de la porte vers l'extrémité du lit de sorte que la douille en laiton et que la broche de guidage soient dans l'alignement de l'orifice du montant de l'angle.
3. Fixez la porte à l'aide des vis fournies.
4. Répétez les points 1 à 3 pour l'autre extrémité du lit.
5. Vérifiez que les deux portes sont correctement montées et fixées et qu'elles peuvent s'ouvrir et se fermer sans problème.



2.2.6 Montage des portes latérales pliantes

1. Placez les portes pliantes de sorte que la broche de guidage du châssis puisse s'engager dans la douille en laiton de la partie inférieure des portes. Pour faciliter cette opération, assurez-vous que les extrémités du lit sont alignées.
2. Basculez le bord supérieur de la porte pliante vers l'extrémité du lit de sorte que les orifices de la douille en laiton du bord supérieur soient dans l'alignement des orifices de la partie supérieure du montant de l'angle.
3. Fixez les barres latérales à l'aide des 2 vis fournies.
4. Vérifiez que les portes pliantes sont correctement montées et fixées et qu'elles peuvent s'ouvrir et se fermer sans problème.



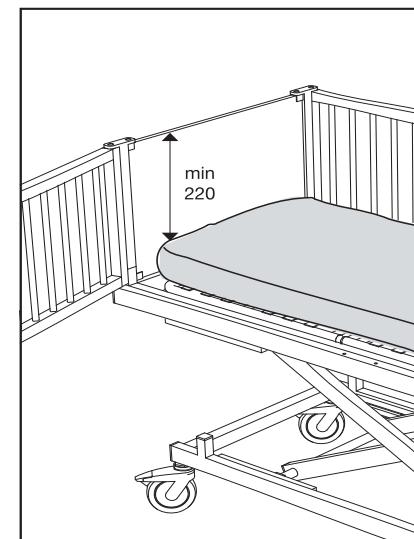
2.2.6 Matelas

Vous pouvez utiliser les matelas suivants

Tailles de lit	Tailles de matelas	Alèses pour incontinence	Alèses en coton
140x60	140x60	1514560	1547664
160x70	160x70	1514561	1547529
180x80	180x80	1514562	1547528



Il doit y avoir au moins 220 mm entre le haut du matelas et le haut du panneau du lit.



2.2.7 Autres accessoires

Le montage et l'utilisation des accessoires sont décrits dans les manuels fournis avec ceux-ci.

L'utilisation des accessoires suivants avec le lit pour enfant Invacare ScanBeta NG est autorisée.

- Potence
- Rembourrage
- Poignée de support

3. Utilisation du lit pour enfant

3.1 Utilisation de la télécommande

Le lit est équipé d'une télécommande qui, selon le modèle, peut présenter différentes fonctions..

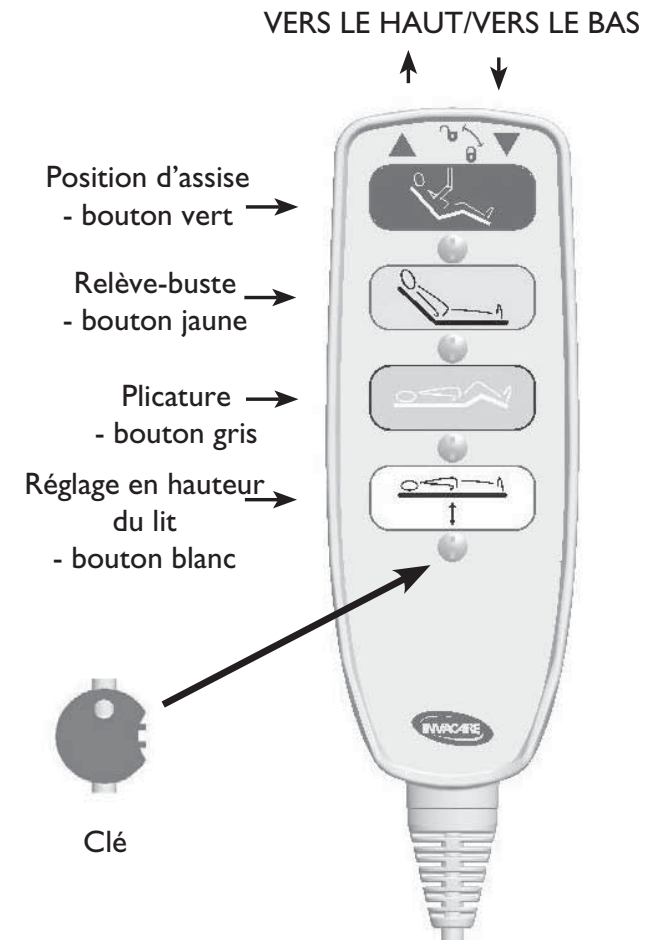
Toutes les télécommandes sont équipées d'une clé permettant le verrouillage des fonctions du lit.



Lorsque le lit est dans la bonne position, verrouillez toutes les fonctions pour l'empêcher de bouger.

Clé de verrouillage et de déverrouillage des fonctions électrique

Insérez la clé sous chaque bouton pour verrouiller ou déverrouiller les fonctions de la télécommande.



3.2 Fonctionnement des freins des roulettes



Il arrive que les roulettes marquent certains types de sol, par exemple, les sols en bois non traité. Dans le doute, Invacare® recommande d'utiliser une protection adéquate pour votre sol.

3.2.1 Fonctionnement des roulettes sans système de freinage centralisé

Lorsque le lit est dans la bonne position, il faut bloquer au moins une roulette à la tête du lit et une roulette au pied du lit.

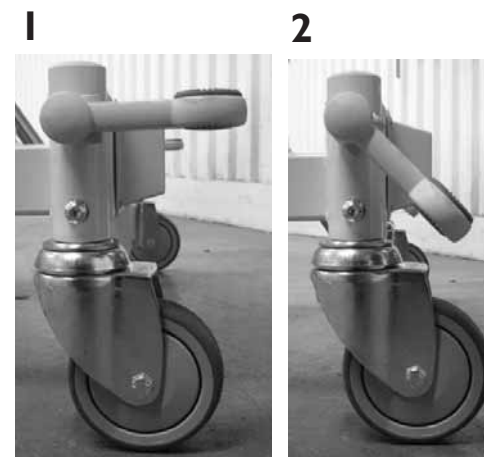
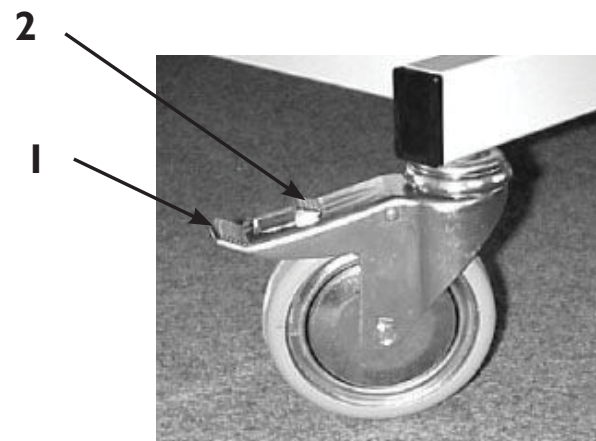
1. **Blocage** : appuyez sur la partie extérieure de la pédale avec le pied.
2. **Débloage** : appuyez sur la partie supérieure de la pédale avec le pied.

Ne tentez pas de desserrer le frein manuellement au risque de vous coincer les doigts.

3.2.2 Fonctionnement des roulettes avec système de freinage centralisé

Lorsque le lit est dans la bonne position, utilisez les freins.

1. **Point mort** : lorsque la pédale est à l'horizontale, les freins ne sont pas activés, ce qui permet de déplacer le lit.
2. **Frein** : appuyez sur la pédale pour activer le frein.



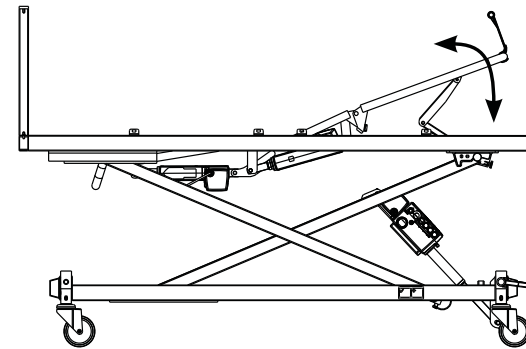
3.3 Utilisation des réglages manuels

- Réglage de l'angle:

1. L'angle du relève-jambes est réglé en soulevant le châssis du relève-jambes jusqu'à la position souhaitée.
2. Abaissez le châssis avec précaution jusqu'à l'enclenchement des dispositifs de fixation Rastofix.

- Réglage horizontal:

1. Soulevez le relève-jambes jusqu'au désenclenchement des dispositifs de fixation Rastofix.
2. Abaissez le relève-jambes avec précaution pour le mettre à l'horizontale.



4. Utilisation des accessoires

4.1 Utilisation de la barrière coulissant vers le bas



Il existe un risque de chute de la barrière coulissant vers le bas pouvant provoquer, par exemple, une blessure légère aux pieds. Tenez fermement la barrière lors de l'opération

- Abaissement

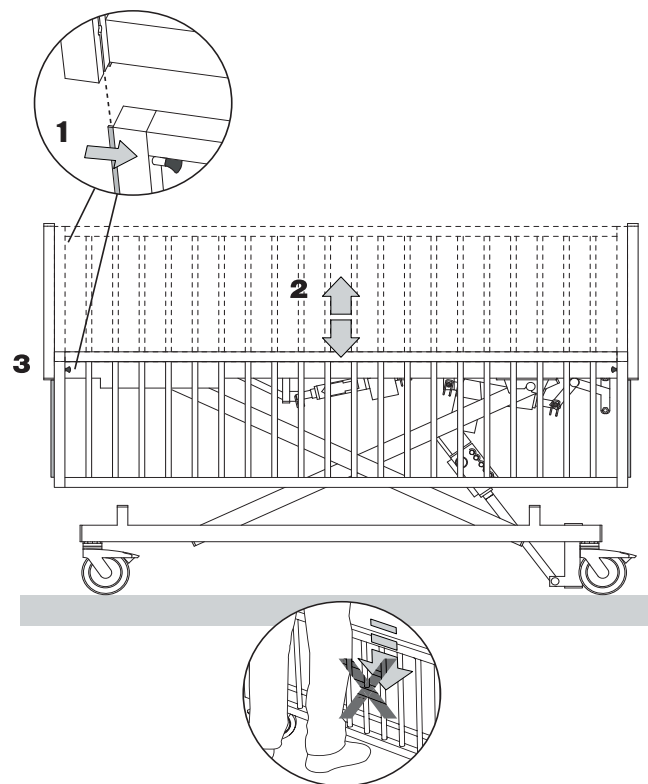
1. Soulevez légèrement, puis libérez la goupille de verrouillage de chaque côté du lit.
2. Abaissez avec précaution la barrière coulissant vers le bas avec vos deux mains.
3. Lorsque la barrière se trouve à la position la plus basse, les goupilles de verrouillage s'enclenchent dans les orifices les plus bas du montant en bois.

- Élévation

1. Libérez la goupille de verrouillage de chaque côté du lit.
2. Soulevez avec précaution la barrière coulissant vers le bas avec vos deux mains.
3. Lorsque la barrière se trouve à la position la plus haute, les goupilles de verrouillage s'enclenchent dans les orifices les plus hauts du montant en bois.
4. Vérifiez systématiquement que les deux goupilles de verrouillage sont correctement positionnées dans les orifices des montants en bois.

- Démontage

1. Ouvrez la barrière coulissant vers le bas.
2. Libérez les goupilles de verrouillage des deux côtés.
3. Retirez la barrière avec précaution en la faisant glisser vers le bas.
4. La barrière est démontée.



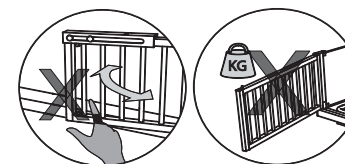
4.2 Utilisation des portes latérales



Faites attention à ne pas vous coincer les doigts à l'ouverture ou à la fermeture des portes.



Lorsque la porte est ouverte, elle ne doit pas supporter de charge au risque de faire basculer le lit. L'angle maximum d'ouverture est de 90°.



- Ouverture

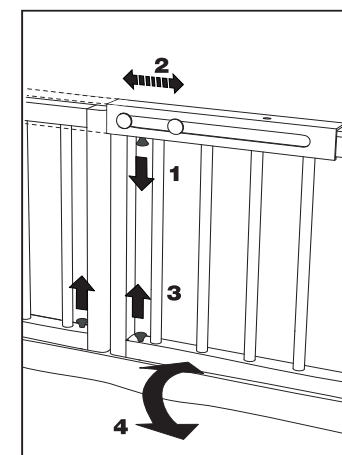
La bride de verrouillage enfant s'ouvre de la façon suivante :

1. Abaissez la goupille de verrouillage située dans la partie supérieure de la porte.
2. Déplacez le rail latéralement.
3. Tirez vers le haut les goupilles de verrouillage situées dans la partie inférieure des portes.
4. (Chaque porte pliante présente 2 goupilles de verrouillage.)
5. Ouvrez les portes.

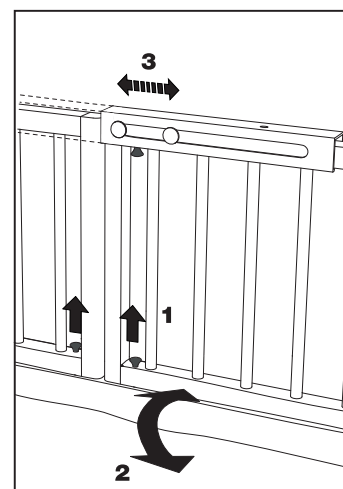
- Fermeture

1. Tirez la goupille de verrouillage des deux portes vers le haut.
2. Fermez les portes. Vérifiez que la goupille de verrouillage est dans l'alignement de l'orifice du rail latéral.
3. Déplacez le rail latéralement jusqu'au positionnement de la goupille de verrouillage.
4. Vérifiez que les portes sont correctement fermées.

Ouverture



Fermeture



5. Assemblage et désassemblage du lit

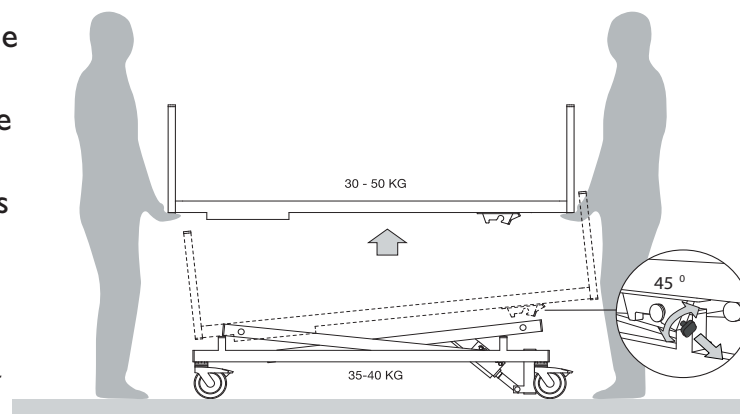


Il faut au moins deux personnes pour assembler/désassembler le sommier.

Faites attention à ne pas vous coincer les doigts lors de l'assemblage du lit

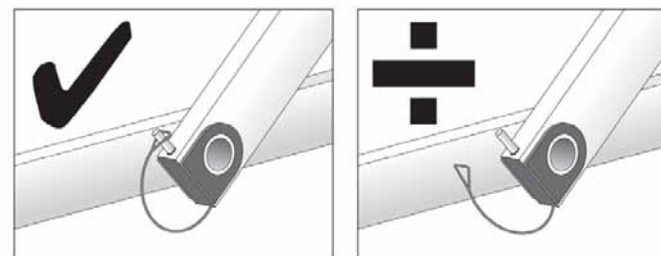
5.1 Assemblage du sommier

1. Soulevez le sommier au-dessus de la base.
2. Abaissez avec précaution le sommier de sorte que les billes en plastique rentrent dans le rail des deux côtés de la base.
3. Abaissez avec précaution le côté jambes de sorte que les extrémités de l'essieu s'engagent dans le verrou à ressort.
4. Tirez sur le bouton rouge et tournez-le de 45° dans le sens inverse des aiguilles d'une montre pour serrer le verrou à ressort.
5. Il faudra probablement monter à nouveau les moteurs. (Voir la section 4.)
6. Vérifiez que le lit est correctement assemblé et que les deux verrous à ressort sont bien en place et serrés.



5.2 Montage de la goupille pour tube entre les croisillons et la base

1. La goupille pour tube doit être montée avec l'ouverture vers le haut et verrouillée.
2. Vérifiez que les goupilles pour tube sont complètement insérées dans les deux orifices du profilé tubulaire et que la bride à ressort est complètement enclenchée dans l'extrémité de la goupille avant de soulever le lit.
3. De plus, vérifiez que les quatre bagues en plastique sont intactes et correctement positionnées entre les croisillons/base et les croisillons/châssis supérieur.



Remarque : ne tirez pas sur la fixation de la goupille pour tube lors du désassemblage. Elle risque de se déformer, ce qui l'empêcherait de se verrouiller correctement.

5.3 Démontage du sommier

1. Vérifiez si des moteurs sont montés directement sur le sommier ou entre ce dernier et la base. Si c'est le cas, il faut les démonter avant le sommier. (Voir le Chapitre 5.4 sur le démontage des moteurs.)
2. Sortez complètement le bouton rouge et tournez-le de 45° dans le sens des aiguilles d'une montre pour libérer les deux verrous à ressort.
3. Soulevez l'extrémité du lit près des verrous à ressort.
4. Tirez le sommier vers l'arrière de sorte que les patins puissent coulisser le long de la rainure des glissières de guidage.
5. Soulevez le sommier aux deux extrémités.



Assurez-vous que les roulettes sont bloquées

5.4 Montage et démontage des moteurs



Débranchez le câble d'alimentation de la prise murale avant de démonter le moteur.
Les câbles doivent être placés de façon à ne pas être coincés dans les pièces mobiles du lit.



Si le moteur de réglage de la hauteur doit être démonté, il faut au moins deux personnes pour porter le sommier et une pour démonter le moteur.



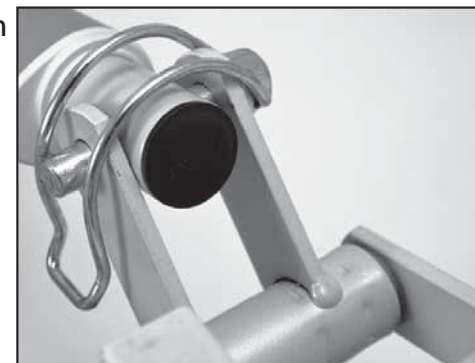
Si les moteurs avec boîtiers de commande intégrés doivent être démontés puis montés, tous les câbles vers les autres moteurs et vers la télécommande doivent être déconnectés puis connectés.

Tous les boîtiers de commande disposent d'une came de blocage qui doit être desserrée avant que les fiches ne soient débranchées des boîtiers de commande.

1. Libérez la came de blocage en dévissant les petites goupilles de verrouillage à l'aide d'un tournevis.
2. Lorsque le montage est terminé, la came de blocage doit être à nouveau resserrée.
3. Appuyez sur la came de blocage pour permettre l'enclenchement des goupilles de verrouillage

- Montage du moteur

1. Placez le moteur dans les montures à fourche et insérez la goupille fendue.
2. Verrouillez la goupille fendue.
3. Insérez les fiches dans le boîtier de commande. Assurez-vous que les fiches sont dans le bon sens et qu'elles sont insérées correctement dans le boîtier de commande.
4. Remplacez la came de blocage.
5. Assurez-vous que toutes les pièces mobiles fonctionnent correctement.



- Démontage du moteur

Lorsque vous démontez le moteur de réglage de la hauteur, le sommier doit être soulevé par deux personnes.

1. Retirez la came de blocage et débranchez les câbles du boîtier de commande.
2. Ouvrez les goupilles fendues aux deux extrémités du moteur et retirez-les.
3. Le moteur peut alors être démonté et le sommier mis à la position la plus basse.

(Sur certains modèles, les extrémités du moteur sont sécurisées par des boulons qui doivent être retirés.)



6. Nettoyage et maintenance

6.1 Nettoyage



Avant de nettoyer le lit, vérifiez que le câble d'alimentation est débranché de la prise murale.

Le lit pour enfant Invacare ScanBeta NG ne doit pas être lavé en machine ou à haute pression.

- Nettoyez-le avec un chiffon doux essoré.
- Utilisez uniquement des nettoyeurs liquides neutres sans solvant.
- Nettoyez les pièces électriques avec un chiffon sec

6.2 Maintenance



La maintenance du lit pour enfant Invacare ScanBeta NG peut être effectuée uniquement par le personnel ayant reçu les instructions ou la formation nécessaires.

- Avant utilisation

Vérifiez que toutes les pièces mécaniques et électriques fonctionnent correctement et qu'elles sont en bon état

- Après trois mois d'utilisation

Vérifiez que toutes les pièces électriques et mécaniques fonctionnent correctement et resserrez les boulons, vis, écrous, etc.

- Chaque année

La maintenance doit être effectuée conformément au programme de maintenance.

Voir chapitre 6.3, Programme de maintenance.

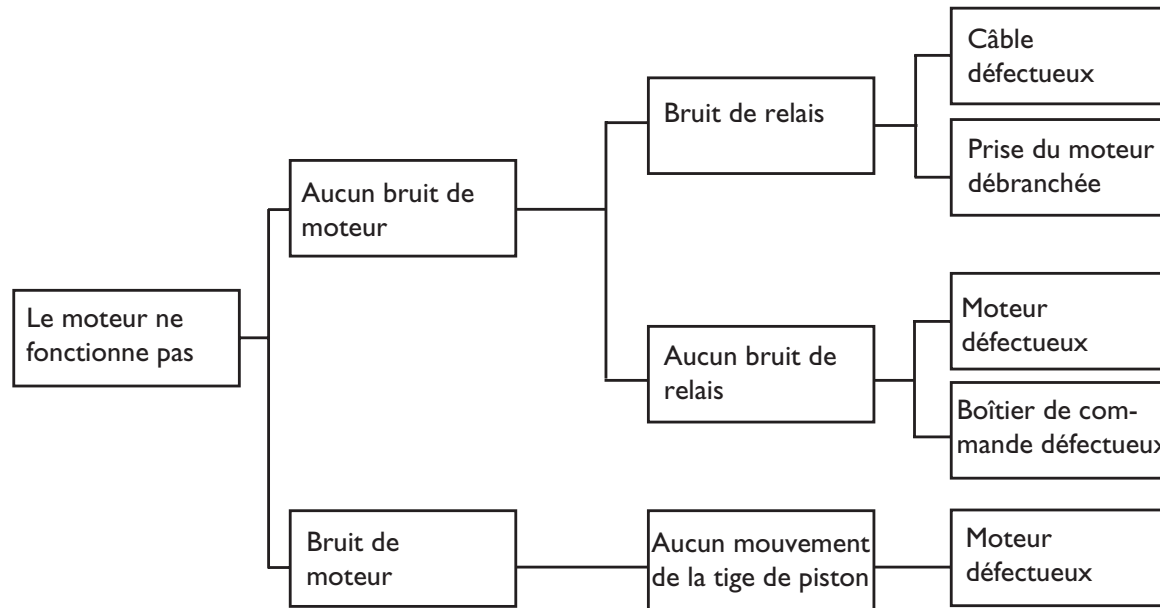
6.3 Programme de maintenance

<p>La maintenance du lit pour enfant Invacare ScanBeta NG peut être effectuée uniquement par le personnel ayant reçu les instructions ou la formation nécessaires.</p> <p>N° de série (apposé sur la base du lit) : _____</p>					
Date:	Initiales:				
Anneaux élastiques, goupilles fendues et bague de fixation en plastique vérifiés					
Vis, boulons et écrous serrés					
Soudures vérifiées					
Freins des roulettes vérifiés					
Moteur de réglage de la hauteur, du relève-buste et du relève-jambes vérifiés					
Câbles correctement disposés et non endommagés. Prise non endommagée					
Revêtement endommagé réparé					
Pièces et portes en bois vérifiées					
Accessoires vérifiés					

Un contrat de maintenance peut être souscrit dans les pays où *Invacare*[®] dispose de sa propre société de vente. *Invacare*[®] peut également proposer des cours pour la maintenance du lit pour enfant ***Invacare ScanBeta NG***.

7. Dépannage du système électrique

Assurez-vous que le câble d'alimentation est branché.




8. Caractéristiques électriques

Alimentation:	230 V AC/50 Hz.
Intensité de courant max:	1 A.
Fonctionnement discontinu:	10%, max. 6 minutes/hour.
Capacité max. des accumulateurs	1,2 Ah.
Classe de protection:	IP 66.
Classe de protection pour la télécommande:	IP 54.
Niveau de bruit:	55 dB (A).

Le patient n'est pas isolé de la terre,
ni du châssis, classe II, type B:



Courant alternatif: 

Courant continu: 

Le patient n'est pas isolé de la terre ni du châssis:



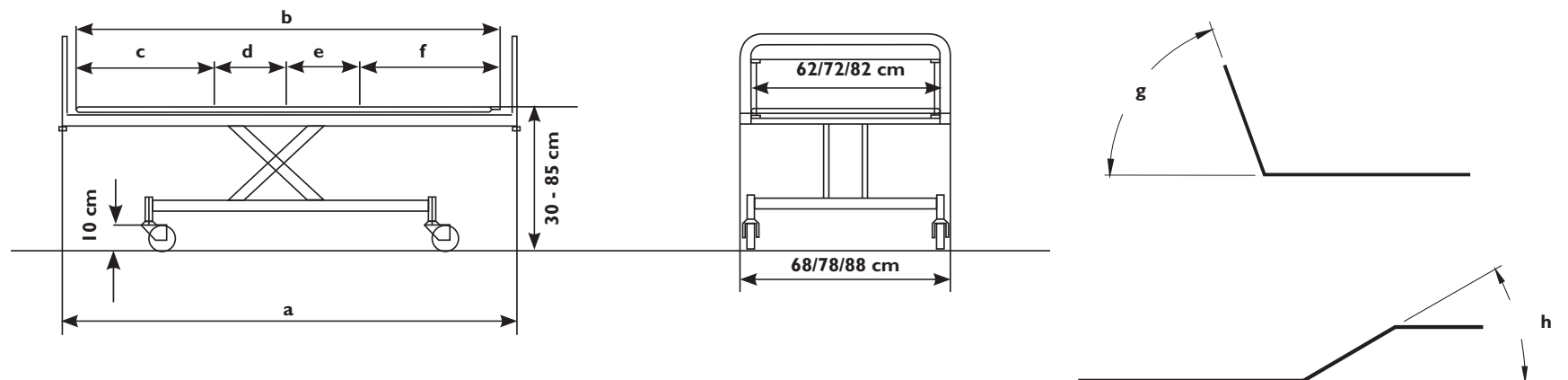
L'unité de contrôle ne possédant pas d'interrupteur, le seul moyen de couper son alimentation consiste à débrancher la fiche du secteur.

9. Spécifications techniques

9.1 Dimensions

Toutes les dimensions sont indiquées en cm. Tous les angles sont indiqués en degrés.

Tous les angles et degrés sont indiqués sans tolérance. *Invacare*® se réserve le droit de modifier les dimensions et angles sans préavis.



L / W	60 cm	70 cm	80 cm
a (mm)	1480	1680	1880
b (mm)	1364	1564	1764
c (mm)	621,5	671,5	751,5
d (mm)	70	150	190
e (mm)	212	222	271,5
f (mm)	460,5	520,5	551
g	73°	73°	73°
h	36°	31°	27°

9.2 Poids

Tableau de poids		
Pièces du lit/taille	70x160	80x180
Sommier	31 kg	38 kg
Base avec croisillons	47 kg	47 kg
Panneau du lit en bois	13,5 kg	14,5 kg
Poids total du lit	91,5 kg	99,5 kg

9.3 Conditions de transport et de stockage

- Température entre -10° et 50° C
- Humidité relative de 10 à 80 %
- Pression atmosphérique entre 700 et 1 100 hPa

10. Élimination

Ce produit a été fourni par un fabricant respectueux de l'environnement qui observe les normes de la directive 2002/96/CE sur les déchets d'équipements électriques et électroniques (DEEE).

Ce produit peut contenir des substances nuisibles à l'environnement et doit être éliminé (décharge contrôlée) conformément à la législation en vigueur.

Le symbole de « poubelle barrée » est placé sur ce produit pour encourager le recyclage dans la mesure du possible.

Préservez l'environnement en faisant recycler ce produit à la fin de sa vie utile.



Bebruiksaanwijzing

1. Algemene informatie	4
1.1 Het product gebruiken	4
1.2 Certificering en vereisten	5
1.3 Verklaring van labels en symbolen	6
1.4 Veiligheidsinstructies en waarschuwingen	7
2. Bij levering	9
2.1 Onderdelen van het ledikant	9
2.2 Montage van het ledikant	10
2.2.1 De eindheden van het ledikant plaatsen	10
2.2.2 De eindplaten van het ledikant monteren	11
2.2.3 De vaste zijkanten monteren	11
2.2.4 De neerschuifbare zijkant monteren	12
2.2.5 De zijdeuren monteren	13
2.2.6 De openslaande zijdeuren monteren	13
2.2.7 Matrassen	14
2.2.8 Overige accessoires	14
3. Bediening van het ledikant	15
3.1 De handbediening	15
3.2 De zwenkwielen met rem	16
3.2.1 Zwenkwielen zonder centraal remsysteem	16
3.2.2 Zwenkwielen met een centraal remsysteem	16
3.3 Handmatige aanpassingen	17

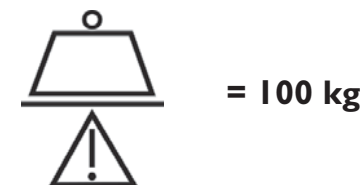
4. De accessoires bedienen	18
4.1 De neerschuifbare zijkant bedienen	18
4.2 De zijdeuren bedienen	19
5. Het ledikant monteren en demonteren	20
5.1 De matrasbodem monteren	20
5.2 De buispen monteren tussen de hijsarm en de basis	20
5.3 De matrasbodem verwijderen	21
5.4 De motoren monteren en verwijderen	21
6. Schoonmaken en onderhoud	23
6.1 Schoonmaken	23
6.2 Onderhoud	23
6.3 Onderhoudsschema	24
7. Problemen met het elektrische systeem oplossen	25
8. Elektrische gegevens	26
9. Technische specificaties	27
9.1 Dimensions	27
9.2 Gewicht	28
9.3 Voorschriften voor transport en opslag	28
10. Afvoeren	28

Voorwoord

Gefeliciteerd met uw keuze voor het Invacare® **ScanBeta NG**-ledikant.

- De totale belasting van het ScanBeta NG-ledikant mag maximaal 100 kg zijn. (Veilige werklast = Patiënt + matras + zijkanten + overige apparatuur).
- Het ScanBeta NG-ledikant is bedoeld voor patiënten die zorg behoeven, in de thuissituatie of in een zorginstelling zoals een ziekenhuis.
- Het ScanBeta NG-ledikant combineert stabiliteit met een ergonomisch ontwerp, waardoor het gemakkelijk te demonteren en te bedienen is.
- Het ScanBeta NG-ledikant mag alleen worden gebruikt in overeenstemming met deze gebruiksaanwijzing en veiligheidsinstructies.

Max.belasting



Lees de volledige gebruiksaanwijzing voordat u het ledikant in gebruik neemt.

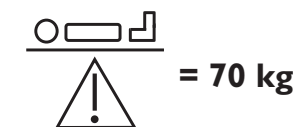
U mag altijd contact opnemen met Invacare® met vragen over het gebruik of het onderhoud van het ledikant. Bij alle instructies omtrent links en rechts wordt ervan uitgegaan dat er een patiënt in het ledikant ligt. Omdat deze gebruiksaanwijzing betrekking heeft op alle bestaande modellen (op de datum waarop dit document wordt gedrukt), is het mogelijk dat niet alle gedeelten relevant zijn voor uw ledikant.

I. Algemene informatie

I.1 Het product gebruiken

- Het ScanBeta NG-ledikant is bedoeld voor patiënten die beperkt zijn in hun bewegingen, en voor gebruik in ziekenhuizen, andere zorginstellingen, en dergelijke.
- Het ScanBeta NG-ledikant mag alleen worden gebruikt voor patiënten met een lichaamsgewicht van maximaal 70 kg.
- De hoogte van het ScanBeta NG-ledikant kan worden aangepast, zodat de patiënt of verzorger een goede ergonomische houding heeft

**Max.gewicht
van
de patiënt**



Afhankelijk van het model kunnen de rugleuning, het been- en dijgedeelte of de hele matrasbodem handmatig of via de handbediening worden aangepast

1.2 Certificering en vereisten

Invacare® is gecertificeerd volgens DS/EN ISO 9001 en ISO 13485.

Hierdoor kunnen onze klanten er zeker van zijn dat ze altijd producten van een uniforme kwaliteit krijgen.

De kwaliteit van onze materialen en producten wordt gedurende het hele productieproces gecontroleerd.

Nadat het product is gemonteerd, wordt een eindcontrole uitgevoerd. Degene die de eindcontrole uitvoert, inclusief een controle van alle bewegende delen, motoren en zwenkwielen, ondertekent het ontvangstbewijs van het product met zijn of haar persoonlijke kwaliteitswaarborgnummer.

Als het product niet voldoet aan de door Invacare® vastgelegde kwaliteitseisen, wordt het product afgekeurd.

Als er zich onverwacht toch een probleem voordoet met het geleverde product, kunt u contact opnemen met uw lokale Invacare® - leverancier.

- Het ScanBeta NG-ledikant is voorzien van de CE-markering volgens Richtlijn 93/42/EEG voor medische apparatuur.
- Het ScanBeta NG-ledikant heeft een risicoanalyse ondergaan volgens EN ISO 14971:2008.
- Het ScanBeta NG-ledikant is goedgekeurd volgens de Nordic Requirement Specification.
- Het ScanBeta NG-ledikant is goedgekeurd volgens EN 60601:1996-03 en EN60601-1-2.

1.3 Verklaring van labels en symbolen



WAARSCHUWING: dit symbool duidt op gevaar.

Als de benodigde voorzorgsmaatregelen niet worden getroffen, kan dit leiden tot persoonlijk letsel of schade aan het ledikant.



OPMERKING: dit symbool duidt op belangrijke informatie en instructies.



Instructie: dit is een verwijzing naar de gebruiksaanwijzing

Kijk op het productlabel om het ledikant te identificeren.



I.4 Veiligheidsinstructies en waarschuwingen

Voordat het ledikant in gebruik wordt genomen, moet u altijd de volgende zaken controleren:

- De totale belasting mag maximaal 100 kg zijn.
- Het bed mag niet beschadigd zijn en moet goed functioneren.
- De accessoires van het ledikant moeten op de juiste wijze zijn gemonteerd



Invacare[®] wijst alle verantwoordelijkheid af indien het product op onjuiste wijze wordt gebruikt, of indien het is gewijzigd of gemonteerd op een andere wijze dan beschreven in de gebruiksaanwijzing. Gebruik ALLEEN de goedgekeurde accessoires die worden vermeld in deze gebruiksaanwijzing. Accessoires die niet zijn goedgekeurd door *Invacare*[®] mogen niet worden gebruikt bij dit ledikant.



Als het ledikant bij levering beschadigd is, mag het niet worden gebruikt totdat de schade is gerepareerd. Zie de leveringsvoorwaarden.



Het ledikant mag niet worden gebruikt voor patiënten die ouder zijn dan twaalf jaar of patiënten met dezelfde of grotere lichaamsafmetingen dan een gemiddelde twaalfjarige



Het risico bestaat dat een patiënt tussen de openingen aan het uiteinde van het ledikant glijdt. Als gevolg daarvan kan een patiënt beklemd raken of verstikken tussen de matrasbodem, de zijkanten van het ledikant en de plaat aan het voeteneinde.



Als het ledikant omhoog of omlaag wordt gebracht, bestaat het risico dat de patiënt beklemd raakt tussen de beweegbare delen en de matrasbodem. Voordat de hoogte, de rugleuning of het been- of dijgedeelte worden aangepast, moet de gebruiker controleren of er geen objecten of personen in de buurt zijn die de beweging van het ledikant kunnen belemmeren.



Aanbevolen wordt de handbediening na elk gebruik te vergrendelen.
Voorkom dat kinderen met de handbediening spelen.

Als de handbediening op onbevoegde wijze wordt gebruikt, bestaat het risico dat personen, met name kinderen, beklemd kunnen raken in of onder het ledikant



De patiënt mag de handbediening alleen gebruiken indien dit eerst is goedgekeurd door de verzorgers.



De voedingskabel moet worden vrijgehouden van alle bewegende onderdelen.
Haal altijd de netstekker uit het stopcontact voordat u het ledikant verplaatst.



De kabels moeten zo worden bevestigd dat ze de vloer niet raken en de zwenkwielen niet blokkeren.
Wanneer het ledikant niet wordt gebruikt, moet u de voedingskabel uit het stopcontact halen.



Om condensvorming te vermijden, mag het ledikant pas worden gebruikt indien het een temperatuur van meer dan 10°C heeft bereikt.

2. Bij levering

2.1 Onderdelen van het ledikant

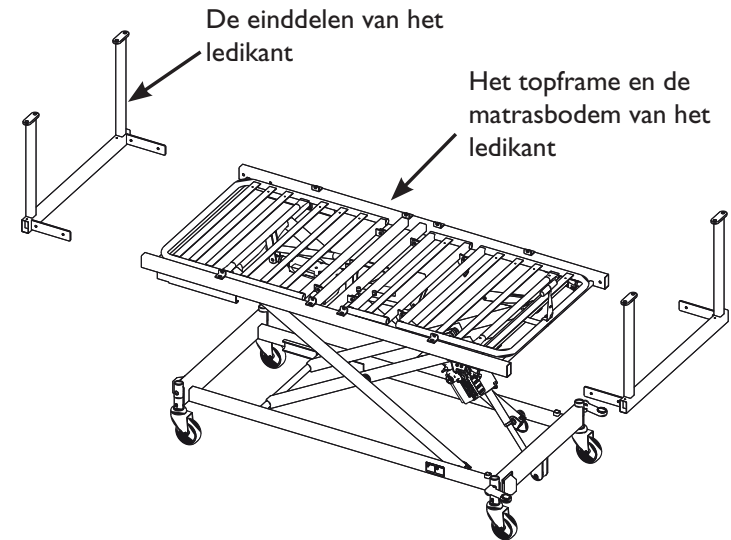
Controleer of de verpakking of het ledikant niet is beschadigd en of alle onderdelen aanwezig zijn. Zie afbeelding.

Er zijn diverse soorten zijkanten voor het ledikant. Een ledikant kan aan beide zijden dezelfde zijkanten hebben, of aan elke zijde een ander soort.

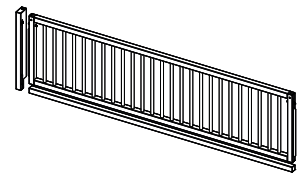
Het ledikant moet altijd aan beide uiteinden zijn voorzien van de einddelen en eindplaten.

Uw product kan verschillen van de getoonde afbeelding, afhankelijk van het gekozen model en de extra apparatuur.

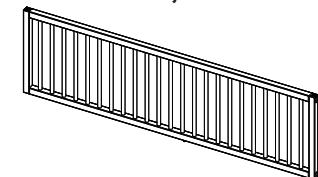
* De zijkanten van het bed kunnen van plexiglas of laminaat zijn, in plaats van hout. Op alle afbeeldingen in deze gebruiksaanwijzing worden onderdelen van hout getoond den.



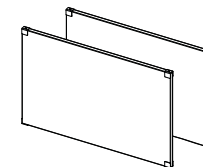
Neerschuihbare zijkant



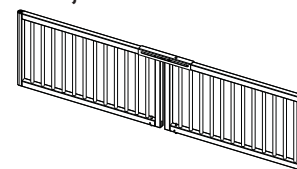
Vaste zijkant



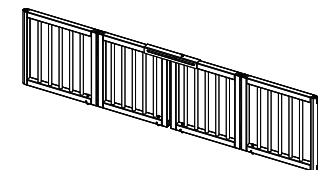
Eindplaat van het ledikant



Zijdeuren*



Openslaande zijdeuren*



2.2 Montage van het ledikant



Wees voorzichtig! Sommige onderdelen van het ledikant zijn zwaar. Til lasten altijd op de juiste wijze.



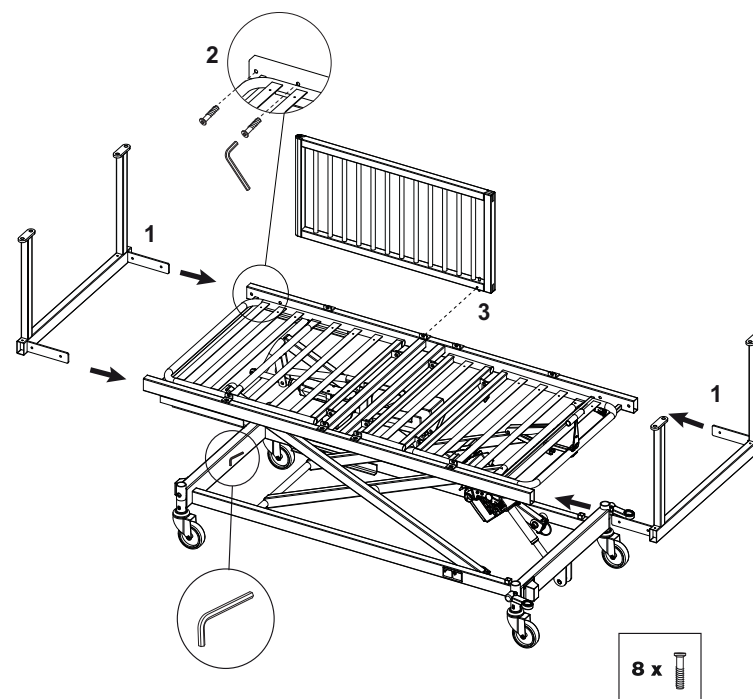
Laat het ledikant altijd achter in de laagste positie. Dit is de veiligste positie voor het geval dat een patiënt uit het ledikant valt.



Begeef u nooit onder het ledikant

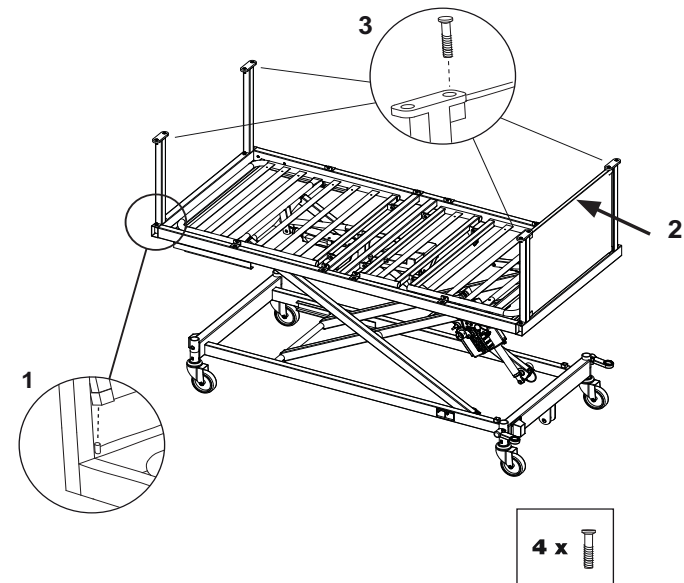
2.2.1 De einddelen van het ledikant plaatsen

1. Plaats de twee einddelen in de buizen van het zijframe.
2. Draai de twee schroeven in elke hoek vast met behulp van de inbussleutel die is bevestigd aan het basisframe.
3. De beide einddelen moeten goed op elkaar aansluiten



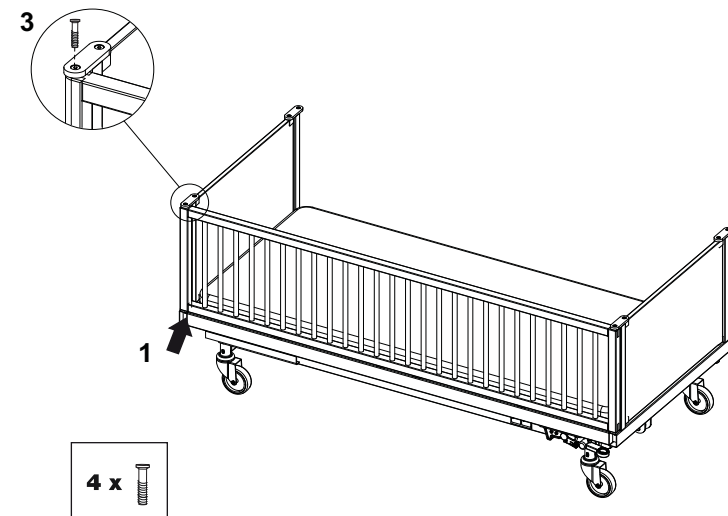
2.2.2 De eindplaten van het ledikant monteren

1. Til de eindplaat op zodat de geleidepennen van het topframe in de gaten in de onderrand van de eindplaat passen.
2. Til de bovenrand van de eindplaat omhoog naar de bovenkant van de einddelen, zodat de gaten in de bovenkant van de eindplaat gelijk liggen met de gaten in het einddeel.
3. Bevestig de eindplaat met de twee meegeleverde schroeven.
4. Herhaal stap 1-3 voor de eindplaat aan het andere uiteinde.
5. Zorg dat de eindplaat op de juiste wijze wordt gemonteerd en goed wordt vastgezet.



2.2.3 De vaste zijkanten monteren

1. Til de vaste zijkant op zodat de geleidepennen in de buis van het zijframe passen in de koperen bus onderaan het traliewerk.
2. Til de bovenrand van de vaste zijkant in de richting van het einddeel, zodat de gaten in de koperen bus gelijk liggen met de gaten in het einddeel en de geleidepen op zijn plaats komt.
3. Bevestig de vaste zijkant met de twee meegeleverde schroeven.
4. Zorg dat de vaste zijkant op de juiste wijze wordt gemonteerd en goed wordt vastgezet.

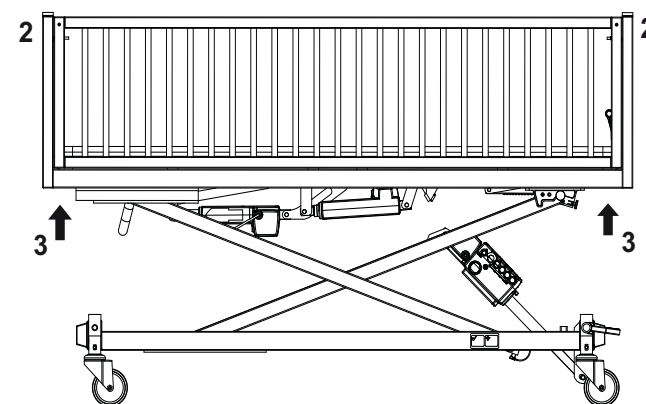
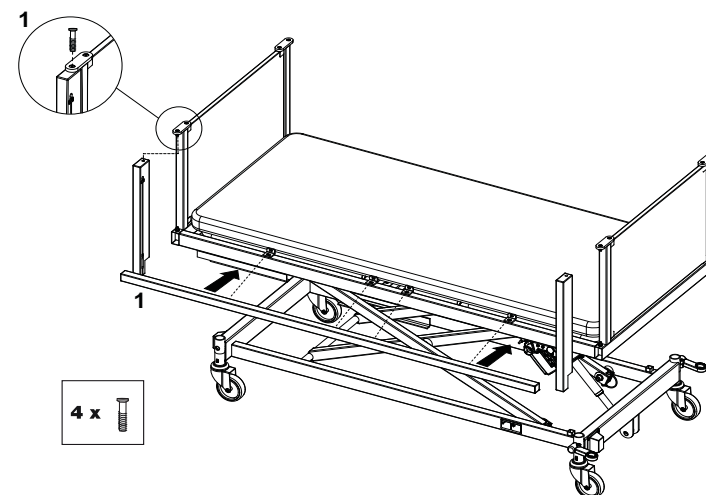


2.2.4 De neerschuifbare zijkant monteren

1. Monteer de houten stijl op de hoekstijlen en monteer de houten rail op de beugel van het zijframe met behulp van de meegeleverde schroeven.

LET OP! De gleuven moeten naar elkaar toe gericht zijn.

2. Druk de vergrendelpennen aan beide zijkanten van het ledikant in.
3. Leid de plastic rail van onder naar boven over de neerschuifbare zijkant tot in de gleuf op de houten stijl.
4. Til de neerschuifbare zijkant met beide handen op totdat de vergrendelpennen vastklikt in het gat in de houten stijl.
5. Controleer of beide vergrendelpennen goed vastzitten door de neerschuifbare zijkant een beetje op te tillen en weer te laten zakken.

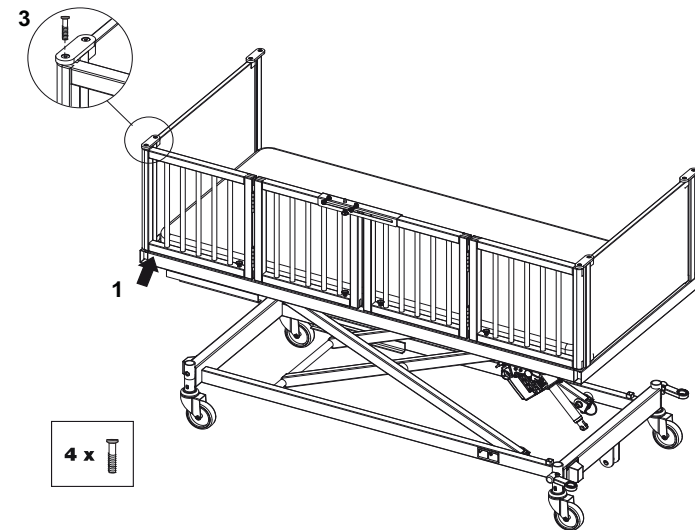
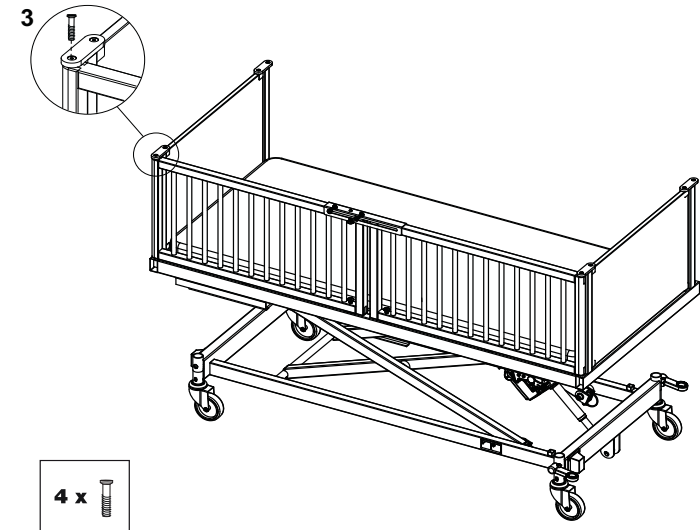


2.2.5 De zijdeuren monteren

1. Plaats de deur zo dat de geleidepen in de zijbuis past in de koperen bus onder aan de deuren. Dit gaat gemakkelijker als u eerst de einddelen van het bed goed op elkaar aansluit.
2. Til de bovenrand van de deur in de richting van het einddeel, zodat de koperen bus en de geleidepen in het gat boven aan de hoekstijl passen.
3. Bevestig de deur met de meegeleverde schroeven.
4. Herhaal stap 1-3 aan de andere zijde.
5. Zorg dat beide deuren op de juiste wijze zijn gemonteerd en goed zijn bevestigd, en dat de deuren kunnen worden geopend en gesloten zonder vast te lopen.

2.2.6 De openslaande zijdeuren monteren

1. Plaats de openslaande deuren zo dat de geleidepen in het topframe in de koperen bus onder aan de deuren past. Dit gaat gemakkelijker als u eerst de einddelen van het bed goed op elkaar aansluit.
2. Til de bovenrand van de uitgang in de richting van het einddeel, zodat de gaten in de koperen bus op de bovenrand gelijk liggen met de gaten boven aan de hoekstijl.
3. Bevestig de zijstangen met de twee meegeleverde schroeven.
4. Zorg dat de openslaande deuren op de juiste wijze zijn gemonteerd en goed zijn bevestigd, en dat de deuren kunnen worden geopend en gesloten zonder vast te lopen.



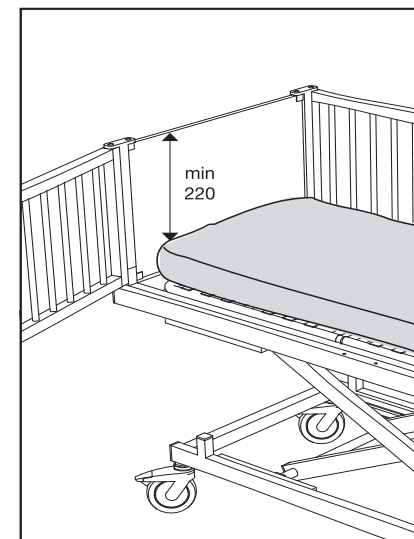
2.2.7 Matrassen

U kunt de volgende matrassen gebruiken

Afmetingen ledikant	Afmetingen matras	Incontinentie-bekleding	Katoenen bekleding
140x60	140x60	1514560	1547664
160x70	160x70	1514561	1547529
180x80	180x80	1514562	1547528



Er moet een afstand van minstens 220 mm zijn tussen de bovenkant van de matras en de bovenkant van de eindplaat van het ledikant.



2.2.8 Overige accessoires

Informatie over montage en gebruik vindt u in gebruiksaanwijzingen bij de accessoires.

De volgende accessoires zijn goedgekeurd voor gebruik bij het ScanBeta NG-ledikant.

- Optrekstang
- Opvulling
- Steungreep

3. Bediening van het ledikant

3.1 De handbediening

Het ledikant is voorzien van een handbediening die, afhankelijk van het model, verschillende functies kan hebben..

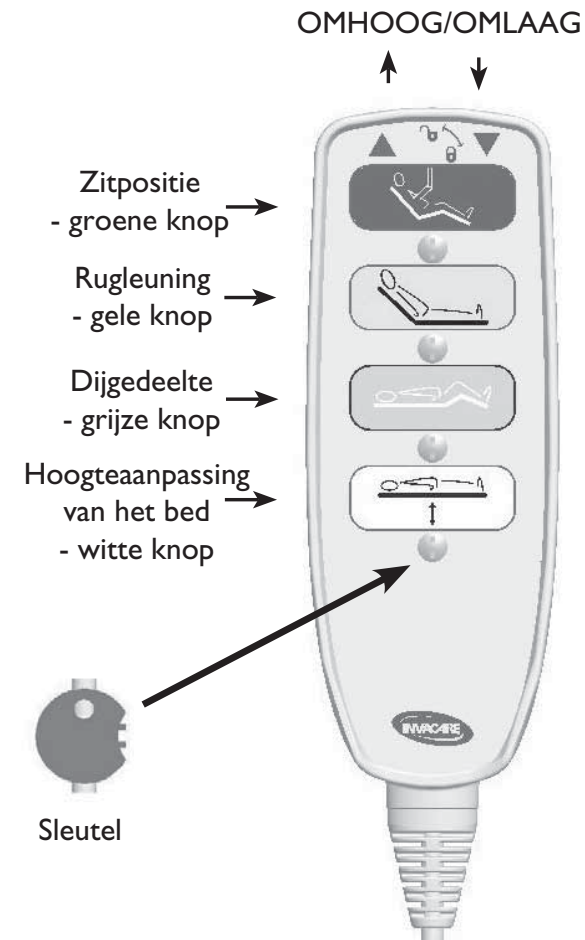
Alle handbedieningen zijn voorzien van een sleutel, zodat de functies van het ledikant kunnen worden vergrendeld.



Wanneer het ledikant zich in de juiste stand bevindt, vergrendelt u alle functies om ongewenste beweging van het ledikant te voorkomen.

Sleutel voor vergrendelen en ontgrendelen van de elektrische functies

Plaats de sleutel onder elke knop om de functies van de handbediening te vergrendelen of te ontgrendelen.



3.2 De zwenkwielen met rem



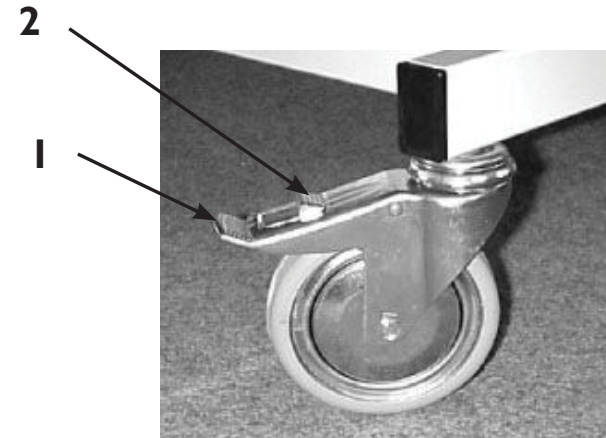
In sommige gevallen kunnen de zwenkwielen sporen nalaten op bepaalde soorten vloeren, zoals onbehandelde houten vloeren. Indien u twijfelt, adviseert Invacare® een geschikte bescherming aan te brengen tussen de zwenkwielen en de vloer.

3.2.1 Zwenkwielen zonder centraal remsysteem

Wanneer het ledikant in de gewenste positie staat, moeten ten minste één zwenkwiel aan het hoofdeinde en één zwenkwiel aan het voeteneinde vergrendeld zijn.

1. **Vergrendelen:** trap op het uiteinde van het pedaal.
2. **Ontgrendelen:** trap op het bovenste deel van het pedaal

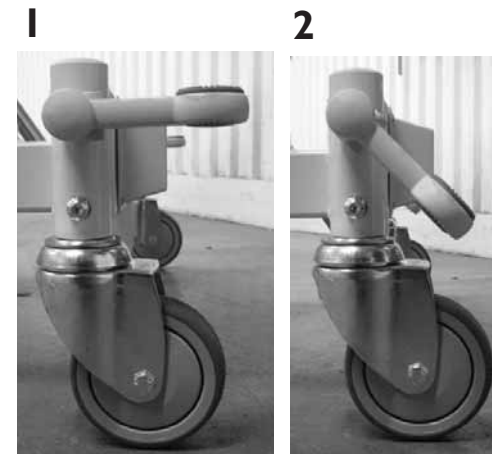
Probeer de rem niet met uw vingers te ontgrendelen. Uw vingers kunnen anders bekneld raken.



3.2.2 Zwenkwielen met een centraal remsysteem

Wanneer het ledikant in de gewenste positie staat, moeten de remmen worden ingedrukt.

1. **Neutraal:** Wanneer het pedaal in de horizontale positie staat, staat het ledikant niet op de rem en kan het worden verplaatst.
2. **Remmen:** Druk het pedaal in om het ledikant op de rem te zetten



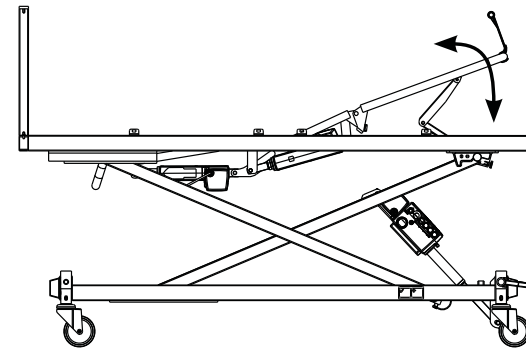
3.3 Handmatige aanpassingen

- Hoek instellen:

1. De hoek van het beengedeelte wordt aangepast door het frame van het beengedeelte in de gewenste positie te tillen.
2. Laat het frame voorzichtig zakken totdat de Rastofix-bevestiging vastklikt..

- Horizontaal instellen:

1. Til het beengedeelte op totdat de Rastofix-bevestiging loskomt.
2. Laat het beengedeelte voorzichtig zakken naar de horizontale positie



4. De accessoires bedienen

4.1 De neerschuifbare zijkant bedienen



Het risico bestaat dat de neerschuifbare zijkant naar beneden valt, wat kan leiden tot een klein letsel aan bijvoorbeeld de voeten.

Houd de neerschuifbare zijkant goed vast tijdens de bediening

- Omlaag

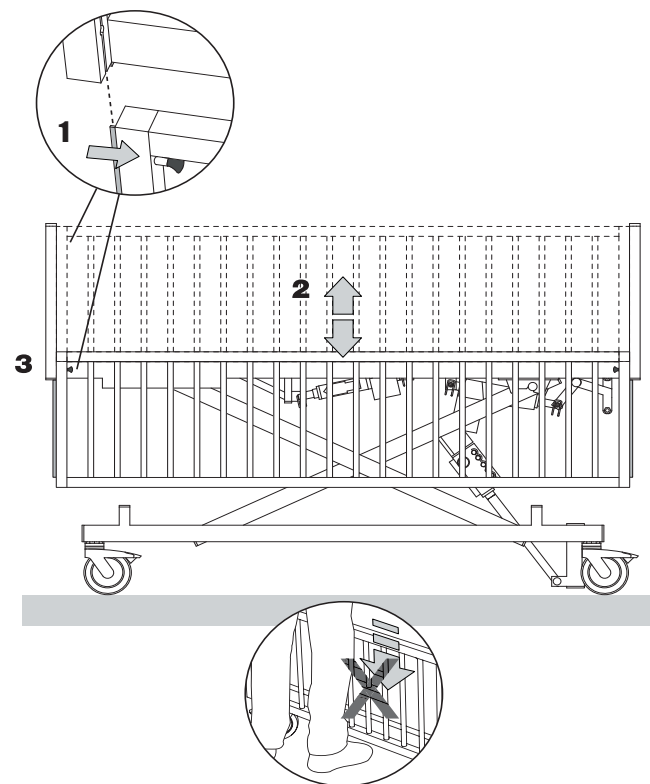
1. Til de zijkant een beetje op zodat u de vergrendelpennen aan beide zijden kunt loshalen.
2. Trek de neerschuifbare zijkant voorzichtig met beide handen omlaag.
3. Als de neerschuifbare zijkant in de laagste positie is, klikken de vergrendelpennen vast in de laagste gaten van de houten stijl.

- Omhoog

1. Maak de vergrendelpen aan beide zijden los.
2. Til de neerschuifbare zijkant voorzichtig met beide handen omhoog.
3. Als de neerschuifbare zijkant in de hoogste positie is, klikken de vergrendelpennen vast in de hoogste gaten van de houten stijl.
4. Controleer altijd of de beide vergrendelpennen goed vastzitten in de gaten van de houten stijl

- Demonteren

1. Open de neerschuifbare zijkant.
2. Maak de vergrendelpennen aan beide zijden los.
3. Laat de neerschuifbare zijkant voorzichtig uit de gleuven zakken.
4. De neerschuifbare zijkant is verwijderd.



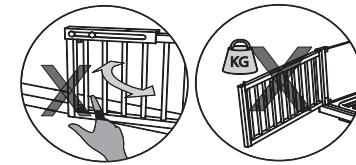
4.2 De zijdeuren bedienen



Zorg dat uw vingers niet beklemd raken bij het openen en sluiten van de deuren.



Plaats geen gewicht op de deur als deze geopend is, omdat het ledikant dan kan omvallen. De maximale openingshoek is 90°.



- Openen

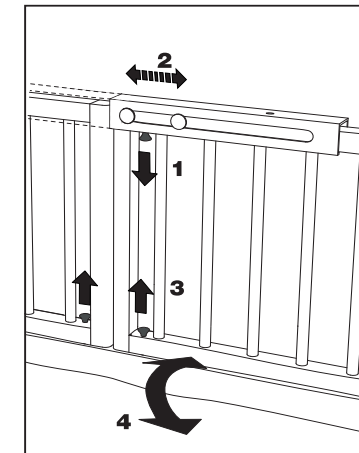
Het kinderslot werkt als volgt:

1. Trek de vergrendelpen boven aan de deur naar beneden.
2. Duw de rail opzij.
3. Trek de vergrendelpen onder aan de deur naar boven. (De openslaande deuren hebben elk twee vergrendelpennen.)
4. Open de deuren.

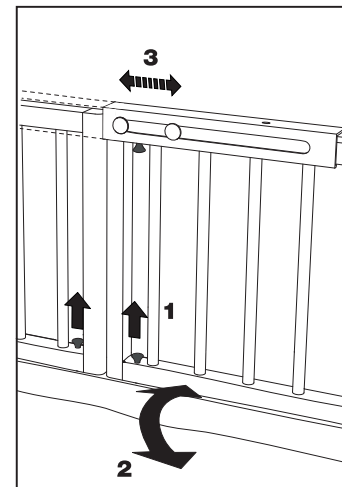
- Sluiten

1. Trek bij beide deuren de vergrendelpen onder aan de deur naar boven.
2. Sluit de deuren. Controleer of de vergrendelpen in het gat in de zijrail zit.
3. Schuif de rail opzij totdat de vergrendelpen vastklikt.
4. Controleer of de deuren goed gesloten zijn.

Openen



Sluiten



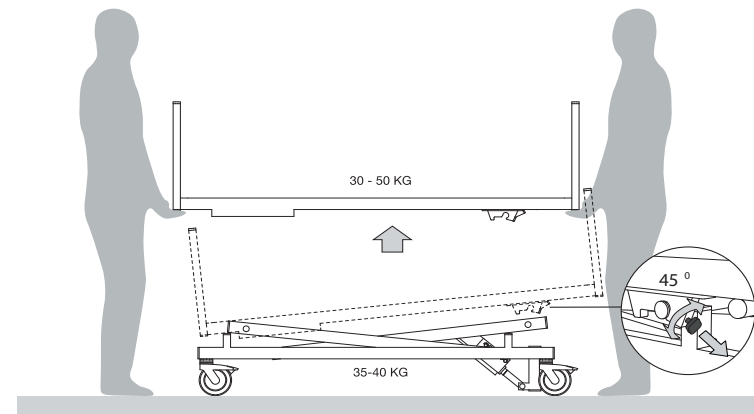
5. Het ledikant monteren en demonteren



Het monteren of demonteren van de matrasbodem moet door minstens twee personen worden uitgevoerd.
Zorg dat uw vingers niet beklemd raken bij het monteren van het ledikant.

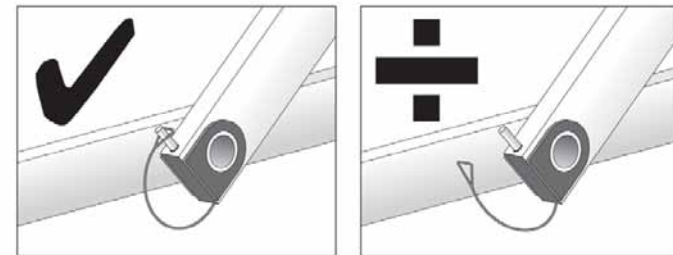
5.1 De matrasbodem monteren

1. Til de matrasbodem op tot boven de basis.
2. Laat de matrasbodem voorzichtig zakken zodat de plastic rollen aan beide zijden van de basis in de schuifrail glijden.
3. Laat het voeteneinde voorzichtig zakken, zodat het uiteinde van de as in het veerslot valt.
4. Vergrendel het veerslot door de rode knop uit te trekken en 45° tegen de klok in te draaien totdat de knop vastklikt.
5. Wellicht moeten de motoren nogmaals worden gemonteerd. (Zie punt 5.3)
6. Controleer of het ledikant op de juiste wijze is gemonteerd en of de beide veersloten op de juiste plaats zitten en vergrendeld zijn.



5.2 De buispen monteren tussen de hijsarm en de basis

1. De buispen moet worden gemonteerd met de opening naar boven gekeerd en vergrendeld.
2. Voordat u het hijsmechanisme van het bed bedient, controleert u of de buispennen volledig in beide gaten van het buisgedeelte zitten, en of de veerklem goed is bevestigd aan het uiteinde van de pen aan het bed.
3. Controleer ook of de vier plastic doorvoerbussen allen intact zijn en op de juiste plek zijn bevestigd tussen de hijsarm en de basis, en tussen de hijsarm en het topframe.



Let op! Trek tijdens de demontage niet aan het klemgedeelte van de buispen; daardoor kunt u de klem vervormen zodat deze niet meer goed sluit.

5.3 De matrasbodem verwijderen

1. Controleer of er rechtstreeks op de matrasbodem of tussen de matrasbodem en de basis motoren zijn gemonteerd. Indien dat het geval is, moet u deze verwijderen voordat u de matrasbodem kunt verwijderen. (Zie punt 5.4 voor het verwijderen van motoren.)
2. Ontgrendel de twee veersloten door de rode knop volledig uit te trekken en 45° met de klok mee te draaien.
3. Til het uiteinde van het ledikant op dat zich het dichtst bij de veersloten bevindt.
4. Trek de matrasbodem achteruit zodat het glijbeslag door de groef van de rails kan schuiven.
5. Til de matrasbodem op aan beide uiteinden.



Controleer of de zwenkwielen zijn vergrendeld.

5.4 De motoren monteren en verwijderen



Haal de voedingskabel uit het stopcontact voordat u de motor verwijdert.



De kabels moeten zo worden bevestigd dat ze niet kunnen vastraken in de beweegbare delen van het ledikant



Voor het verwijderen van de hoogteverstelmotor moeten er minimaal twee personen zijn om de matrasbodem vast te houden en één persoon om de motor te verwijderen

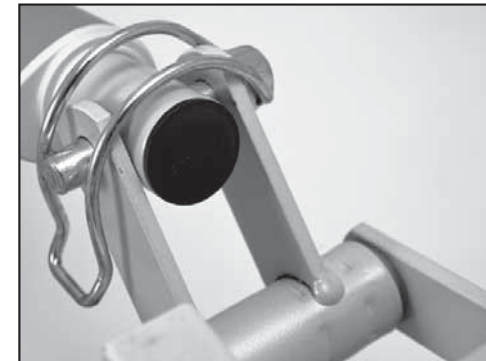
Als u motoren met geïntegreerde besturingseenheden wilt verwijderen of monteren, moet u ook alle kabels voor de andere motoren en voor de handbediening loshalen of aansluiten..

Alle besturingseenheden hebben een hendel die moet worden losgezet voordat de stekkers uit de besturingseenheid kunnen worden gehaald.

1. Haal de hendel los door de kleine vergrendelpennen naar buiten te drukken met een schroevendraaier.
2. Als u klaar bent met de montage, moet u de hendel weer plaatsen.
3. Duw de hendel omlaag totdat de vergrendelpennen vastklikken

- De motor plaatsen

1. Plaats de motor in de vorksteun en breng de splitpen aan.
2. Vergrendel de splitpen.
3. Steek de stekkers in de besturingseenheid. Controleer of de stekker in de juiste richting en op de juiste wijze in de besturingseenheid zit.
4. Plaats de hendel terug.
5. Controleer of alle werkende delen goed functioneren.



- De motor verwijderen

Bij het verwijderen van de hoogteverstelmotor moet de matrasbodem worden vastgehouden door minstens twee personen.

1. Verwijder de hendel en haal de kabels los uit de besturingseenheid.
2. Open de splitpennen aan beide zijden van de motor en trek ze eruit.
3. U kunt nu de motor verwijderen en de matrasbodem laten zakken naar de laagste positie.

(Bij sommige modellen zijn de uiteinden van de motor vastgezet met bouten die u eerst moet verwijderen.)



6. Schoonmaken en onderhoud

6.1 Schoonmaken



Voordat u het ledikant schoonmaakt, moet u de voedingskabel uit het stopcontact halen.

Het **ScanBeta NG**-ledikant is niet bestand tegen schoonmaken in een wasmachine of met een hogedrukstraal

- Gebruik een zachte, licht vochtige doek.
- Gebruik een neutraal en vloeibaar schoonmaakmiddel zonder oplosmiddelen.
- Veeg de elektrische onderdelen schoon met een droge doek

6.2 Onderhoud



Service en onderhoud van het **ScanBeta NG**-ledikant mag alleen worden uitgevoerd door personen die hiertoe de juiste instructies of training hebben gekregen

- **Vóór het eerste gebruik**

Controleer of alle handmatige en elektrische onderdelen correct en veilig werken.

- **Na drie maanden**

Controleer alle handmatige en elektrische onderdelen en draai alle bouten, schroeven, moeren, enzovoort aan.

- **Jaarlijks**

De service moet worden uitgevoerd volgens het service- en onderhoudsschema.

Zie punt 6.3 voor het onderhoudsschema.

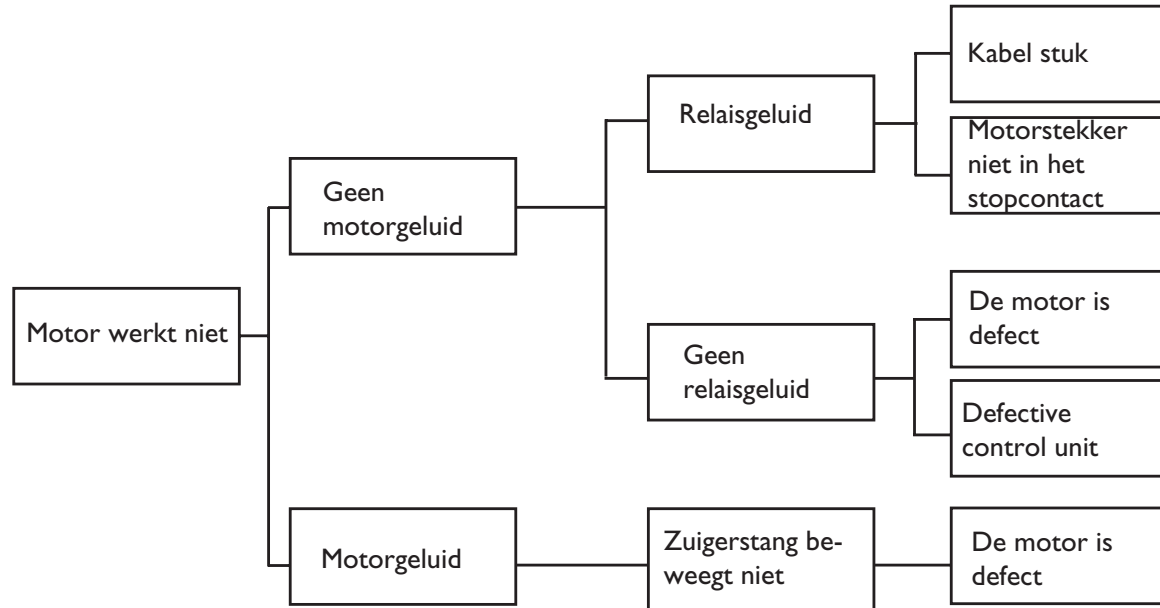
6.3 Onderhoudsschema

Service en onderhoud van het ScanBeta NG-ledikant mag alleen worden uitgevoerd door personen die hiertoe de juiste instructies of training hebben gekregen. Serienr. (staat op het frame): _____					
Datum:	Initialen:				
Klemmen, splitpennen en plastic vastzetting gecontroleerd					
Schroeven, bouten en moeren vastgedraaid					
Lasnaden gecontroleerd					
Zwenkwielremmen gecontroleerd					
Motor voor hoogteaanpassing, rugleuning en beengedeelte gecontroleerd.					
Kabels juist opgehangen en onbeschadigd. Stekker onbeschadigd					
Beschadigde deklaag gerepareerd					
Houten onderdelen en deuren gecontroleerd.					
Accessoires gecontroleerd					

In landen waar Invacare® een eigen verkoopkantoor heeft, kan een servicecontract worden afgesloten. Invacare® kan ook cursussen aanbieden in de service en het onderhoud van de **ScanBeta NG**.

7. Problemen met het elektrische systeem oplossen

- Controleer of de voedingskabel is aangesloten.



8. Elektrische gegevens

Netspanning:	230 V AC/50 Hz.
Max. opgenomen stroom:	1 A.
Cyclische motorbelasting::	10%, max. 6 minutes/hour.
Max. accucapaciteit	1,2 Ah.
Beschermingsgraad:	IP 66.
Beschermingsgraad handbediening:	IP 54.
Geluidsniveau:	55 dB (A).

Dubbel geïsoleerd, klasse II, type B::



Wisselspanning:



Gelijkspanning:



De patiënt is niet gescheiden van de vloer en het chassis:

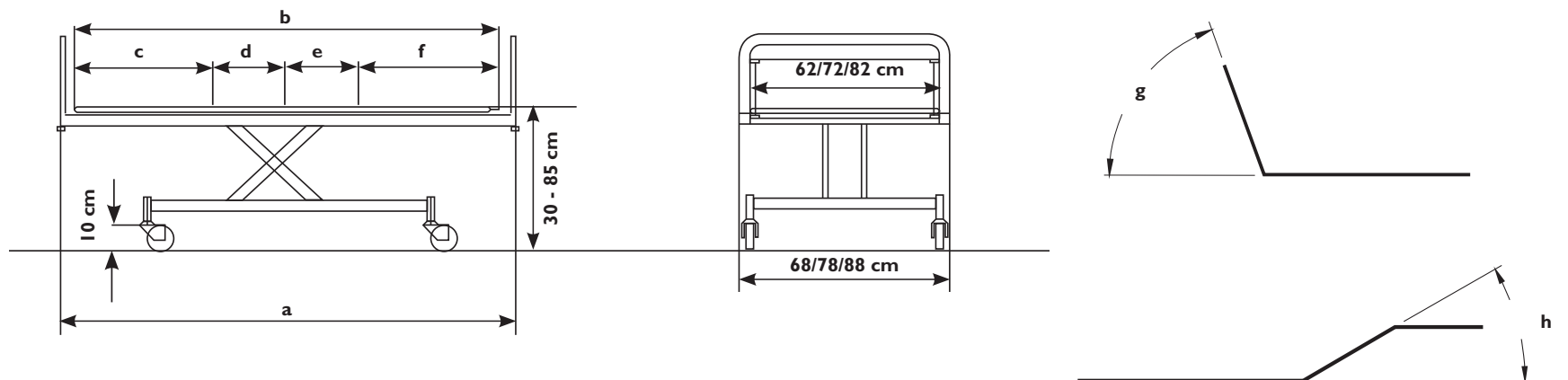
Op de besturingskast zit geen hoofdschakelaar, daarom kunt u de stroomtoevoer uitsluitend verbreken door de stekker uit het stopcontact te trekken.

9. Technische specificaties

9.1 Dimensions

Alle maten zijn in cm. Alle hoeken zijn in graden. Alle maten en hoeken zijn zonder toleranties opgegeven, voor een niet-verlengd be.

Invacare® behoudt zich het recht voor om zonder voorafgaande kennisgeving aanpassingen door te voeren in de vermelde maten en hoeken.



L / W	60 cm	70 cm	80 cm
a (mm)	1480	1680	1880
b (mm)	1364	1564	1764
c (mm)	621,5	671,5	751,5
d (mm)	70	150	190
e (mm)	212	222	271,5
f (mm)	460,5	520,5	551
g	73°	73°	73°
h	36°	31°	27°

9.2 Gewicht

Gewichtstabel		
Onderdeel van ledikant	70x160	80x180
Matrasbodem	31 kg	38 kg
Basis met hijsarm	47 kg	47 kg
Houten einddeel	13,5 kg	14,5 kg
Totaal ledikant	91,5 kg	99,5 kg

9.3 Voorschriften voor transport en opslag

- Temperatuur tussen -10° en 50° C
- Relatieve luchtvochtigheid tussen 10 en 80%
- Luchtdruk tussen 700 en 1100 hPa

10. Afvoeren

Dit product is afkomstig van een milieubewuste leverancier conform richtlijn 2002/96/EG betreffende afgedankte elektrische en elektronische apparatuur (AEEA).

Dit product kan stoffen bevatten die schadelijk kunnen zijn voor het milieu indien ze niet worden afgevoerd volgens de huidige wetgeving.

Dit product bevat het pictogram met de doorgekruiste afvalbak, om recycling zo veel mogelijk te bevorderen.

Denk aan het milieu en breng dit product na het einde van de levensduur naar een afvalverwerkingsstation.





Invacare Rea AB
Box 200
SE-343 75
Diö SWEDEN

Sales:

Danmark:

Invacare A/S, Sdr. Ringvej 37, DK-2605 Brøndby
Tel: (45) (0)36 90 00 00, Fax: (45) (0)36 90 00 01
denmark@invacare.com / www.invacare.dk

France:

Invacare Poirier SAS, Route de St Roch, F-37230 Fondettes
Tel: (33) (0)2 47 62 64 66, Fax: (33) (0)2 47 42 12 24
contactfr@invacare.com / www.invacare.fr

Norge:

Invacare AS, Grensesvingen 9, Postboks 6230, Etterstad,
N-0603 Oslo
Tel: (47) (0)22 57 95 00, Fax: (47) (0)22 57 95 01
norway@invacare.com / www.invacare.no
island@invacare.com

Sverige & Suomi:

Invacare AB, Fagerstagatan 9, S-163 91 Spånga
Tel: (46) (0)8 761 70 90, Fax: (46) (0)8 761 81 08
sweden@invacare.com / www.invacare.se
finland@invacare.com

United Kingdom:

Invacare Limited, Pencoed Technology Park, Pencoed, Bridgend
CF35 5HZ
Switchboard Tel: (44) (0)1656 776200, Fax: (44) (0)1656 776201
Customer services Tel: (44) (0)1656 776222,
Fax: (44) (0)1656 776220
UK@invacare.com / www.invacare.co.uk



Yes, you can.®

1542073 Rev2 2011-10-18