

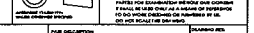
SHEET 1 OF 3		DESCRIPTION	QTY
1	1078273	CBE W/DMNT CROSS SUPPORT W/ FOOTREST	1
2	1095571	RG W/DMNT LEG STAND W/ LIFT	2
3	1027074	ASM. HANDLE LIFT 350 W/ TAPE	1
4	1028274	SHROUD, PORTABLE COVERHEAD LIFT W/ FOOTREST	1
5	1078979	ROD, 1/2X13 X 1.25 HX	2
6	1045805	WASHER, .50X1.12X.100 FLAIN	2
7	1062419	RUSHING, FLANGED	4
8	1062414	WASHER, .50X1.12X.100 FLAIN	2
9	1062424	SCREW, 5/16 X 1.00 X .50-16 SOC HD SHLDR	4
10	1065216	NUT, 3/8-16 HX LOCK	2
11	1123560	CASTER, 3" SW/VAL	2
12	1123559	ASM. CASTER & WHEEL 3" SW/VAL W/BRAKE	2
13	1079884	ROD, 1/2X13 X 1.25 HX	2
14	1014371	WASHER, .50 RHS LOCK	2
15	1065215	SCREW, 5/16-18 X .75 SOC BUT HD CAP W/PATCH	4
16	1065152	ASM. TRK ROD	2
17	1029134	SCREW, .850 X 1.25 SOC HD SHLDR W/PATCH	1
18	1064122	SPRING, 1.03 X 1.06	1
19	1078287	RG W/DMNT HANDLE	1
20	1078289	TRK W/DMNT. MTG HANDLE	1
21	1032246	GRIP, CANE	1
22	1079137	COVER, LEG REAR LIFT	2
23	1079136	COVER, LEG LIFT	2
24	1029003	PAD, FIBER	1
25	1092071	ASM. PAD MTG	1
26	1062704	WASHER, FLAT 330 X .625 X .050	6
27	1071955	SCREW, 5/16-18 X .75 SOC BUT HD CAP	1
28	1065560	CAP, END	1
29	1064455	SCREW, .38 X 1.75 X 5/16-18 SOC HD SHLDR	2
30	1064267	NUT, 5/16-18 LOCK HVY HX	2
31	1071154	RG W/DMNT, LINKAGE	4
32	1070176	RUSHING, HANDLE	4
33	1071834	RG BRACKET, HORN	1
34	1070175	RUSHING, HORN	2
35	1007269	SCREW, 1/4-20 X .42 SOC BUT HD CAP	1
36	1071091	RG W/DMNT, HORN	1
37	12642000	SCREW, .68-16 X .625 PH PAN HD TAP	1
38	1045195	NUT, 1/4-20 LOCK HX	10
39	1045207	WASHER, .50 PH PAN	2
40	1009808	SCREW, 1/4-20 X .75 SOC BUT HD CAP	2
41	1071835	RG BRACKET, LINKAGE	2
42	1070180	RUSHING, DRIVE LIFT	2
43	1071832	RG BRACKET, DRIVE	1
44	1071833	RG BRACKET, DRIVE	1
45	1071831	SPACER, GUARD LH	1
46	1071830	SPACER, GUARD RH	1
47	1070177	KNOB, HOOK	8
48	1028769	NUT, 5/16-18 LOCK HX	8
49	1029502	CAP, HOOK	8
50	1071249	RING, BALL 1/2	2
51	1028284	BRACKET, BATTERY	1
52	1028275	CONTROLLER, LINK	1
53	1028276	BATTERY PACK, LINK	1
54	1002652	CLIP, CHRISTMAS TREE	4
55	1078980	SCREW, 10-24 X .25 PH PAN	3
56	1078981	NUT, 1/2-18 LOCK HX	1
57	1028274	ACTUATOR, LINK	1
58	1078283	HMAT, HANDS	1
59	1073697	DECAL, WARNING RELIANT 350	1
60	1073705	DECAL, RELIANT 350 LOGO	2
61	1072658	LABEL, CE MARKING	1
62	1072112	LABEL, ATTENTION	4
63	1072113	LABEL, YEAR OF MFR	2
64	1076388	GRIP, HAND	2
65	1029249	ASM. BAR PAD	1
66	1068277	INSERT, CARTON	2
67	1068272	INSERT, CARTON	1
68	1144403	CARTON, SHIPPER COVER	1
69	1068273	INSERT, CARTON	1
70	1072691	CARTON, SHIPPER	2
71	1144401	CARTON, SHIPPER BOTTOM	1
72	1068278	INSERT, CARTON	1
73	401810044	CARTON, SHIPPER 11/22X17/4X3	1
74	1020535	BAG, 24 X 12 PLASTIC	1
75	1078306	BRACKET, BATTERY	1
76	1078985	MANUAL, OWNER'S LIFT 350 UK, GER, DUT	1
77	1072135	POWERCORD, EUROPE CABLE	1
78	1064443	RUSHING, .50 X 1.09	2
79	103620000	WRENCH, ALLEN 3/16	1
80	1078274	CHARGER, LINK	1
81	1072134	POWERCORD, UK CABLE	1
82	1078986	MANUAL, OWNER'S LIFT 350 SWED, FIN, NOR	1
83	1076313	CARD, VISIBLANCE	1
84	1076555	LABEL, WARNING 350-1E	1
85	1081004	PRODUCT SPEC., RELIANT PATENT LIFT	0
86	1115716	INSERT, CARTON	1
87	1115717	INSERT, CARTON	1
88	1115718	INSERT, CARTON	2
89	1136841	LABEL, RECYCLING	1
90	1136846	SHEET, INSTRUCTION RECYCLING	1
91	1024174	WASHER, .50X.875X.055 FLAIN	2
92	1144402	REINFORCEMENT, CORNER CARTON	4
93	1152416	CAP, CLIP RUBBER GRAY	1

NOT SHOWN

ISOMETRIC VIEW
SCALE 1:8

SHEET 1 OF 3

KEY CHARACTERISTIC IDENTIFICATION

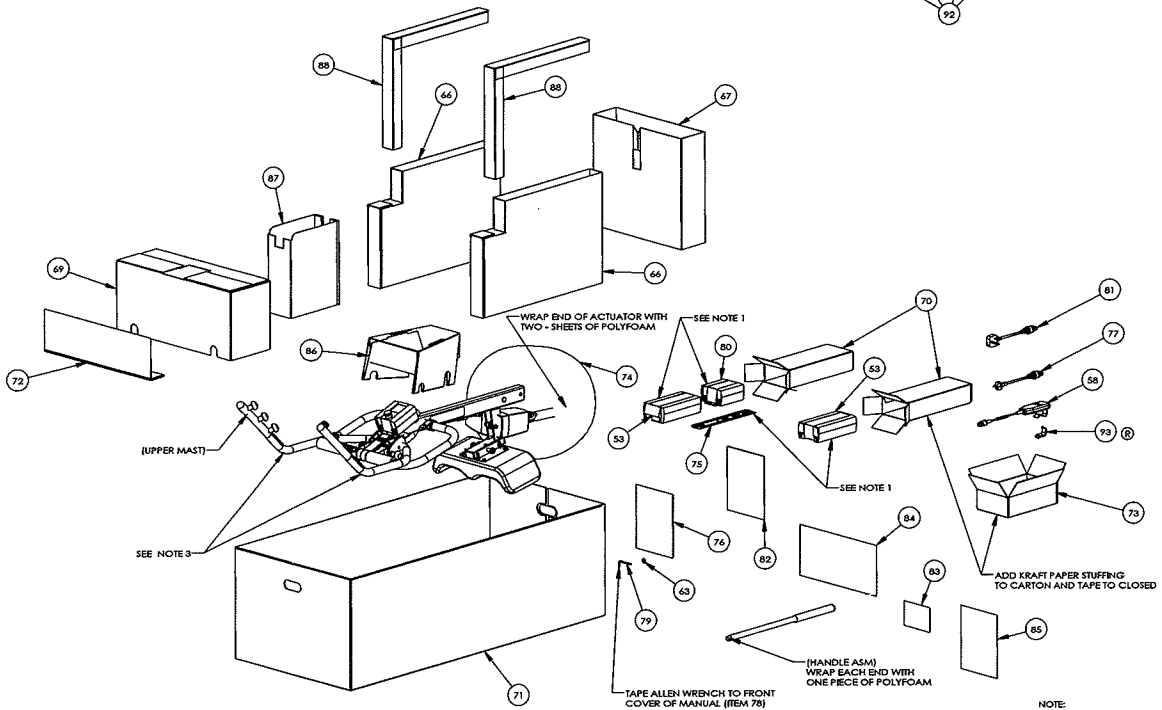
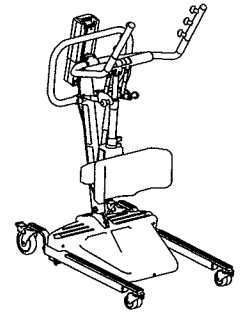
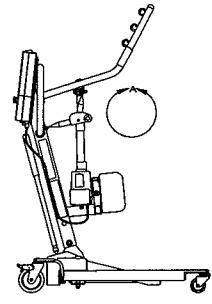
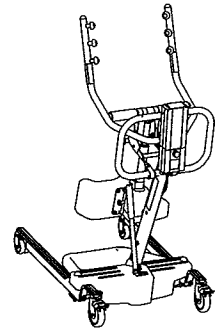
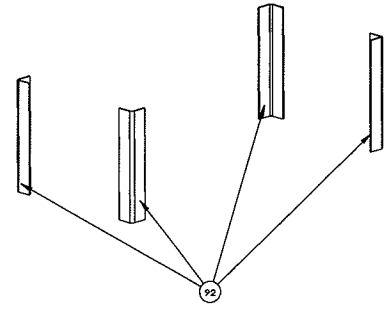
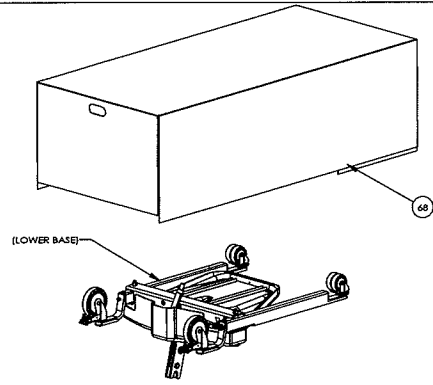


REV	DATE	DESCRIPTION	BY	CHKD	APP'D	DATE	DESCRIPTION	BY	CHKD	APP'D	DATE
R	09/16/09	RELEASE AT PRELIM REV 00; ADD 1152416									
R	08/16/09	REVISE TO PRELIM REV 00; REM SHEET 1 & 2									
F	07/11/09	REVISE TO PRELIM REV 00; CHINA WAS KUNSHAN ON SHEET 3 & 4									
O	06/16/09	REV 109546, & 107306 FROM BOM REV 106214 BOM QTY									
		& WAS 3; REV 1025704 BOM QTY & WAS 5; REM "SHORT", "MEDIUM",									
		& "TALL"; NOTES: ADD SHEET 3 AND 4									
		CHG: P/N 1152340 WAS 1072699									

ASM. LIFT RELIANT 350
POWER LOW BASE EURO



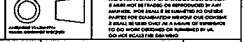
INVACARE CORP. ELYRIA, OHIO 44028



- NOTE:
- 1) PACK BATTERIES (ITEM 84), CHARGER (ITEM 82) STILL IN ORIGINAL PLASTIC BAGS THAT THEY WERE RECEIVED IN (NOT SHOWN) AND BRACKET (ITEM 77), INTO CARTONS (ITEM 69).
 - 2) INSERT CARTONS AND MANUAL INTO CARTON (ITEM 73).
 - 3) WRAP ALL SURFACES THAT COME IN CONTACT WITH PACKAGING WITH POLYFOAM.

SHEET 2 OF 2

▲ KEY CHARACTERISTIC IDENTIFICATION



THIS IS AN IMPORTANT KEY CHARACTERISTIC IDENTIFICATION SYMBOL. IT IS USED TO IDENTIFY THE ORIGINAL MANUFACTURER OF THE PARTS AND TO IDENTIFY THE ORIGINAL MANUFACTURER OF THE PARTS. IT IS NOT TO BE USED FOR ANY OTHER PURPOSES.

ASM, LIFT RELIANT 350
POWER LOW BASE EURO

REV	DATE	BY	CHKD	APP'D	DESCRIPTION	QTY	UNIT	REVISION	DATE	BY	CHKD	APP'D	DESCRIPTION	QTY	UNIT	REVISION	DATE	BY	CHKD	APP'D	DESCRIPTION	QTY	UNIT	
R	07/16/02				SEE SHEET 1				07/29/02	BTM														
Q	08/16/02				SEE SHEET 1				04/17/02	WY														
P	07/11/02				SEE SHEET 1				01/11/02	WJG														
D	08/16/02				SEE SHEET 1				01/26/02															