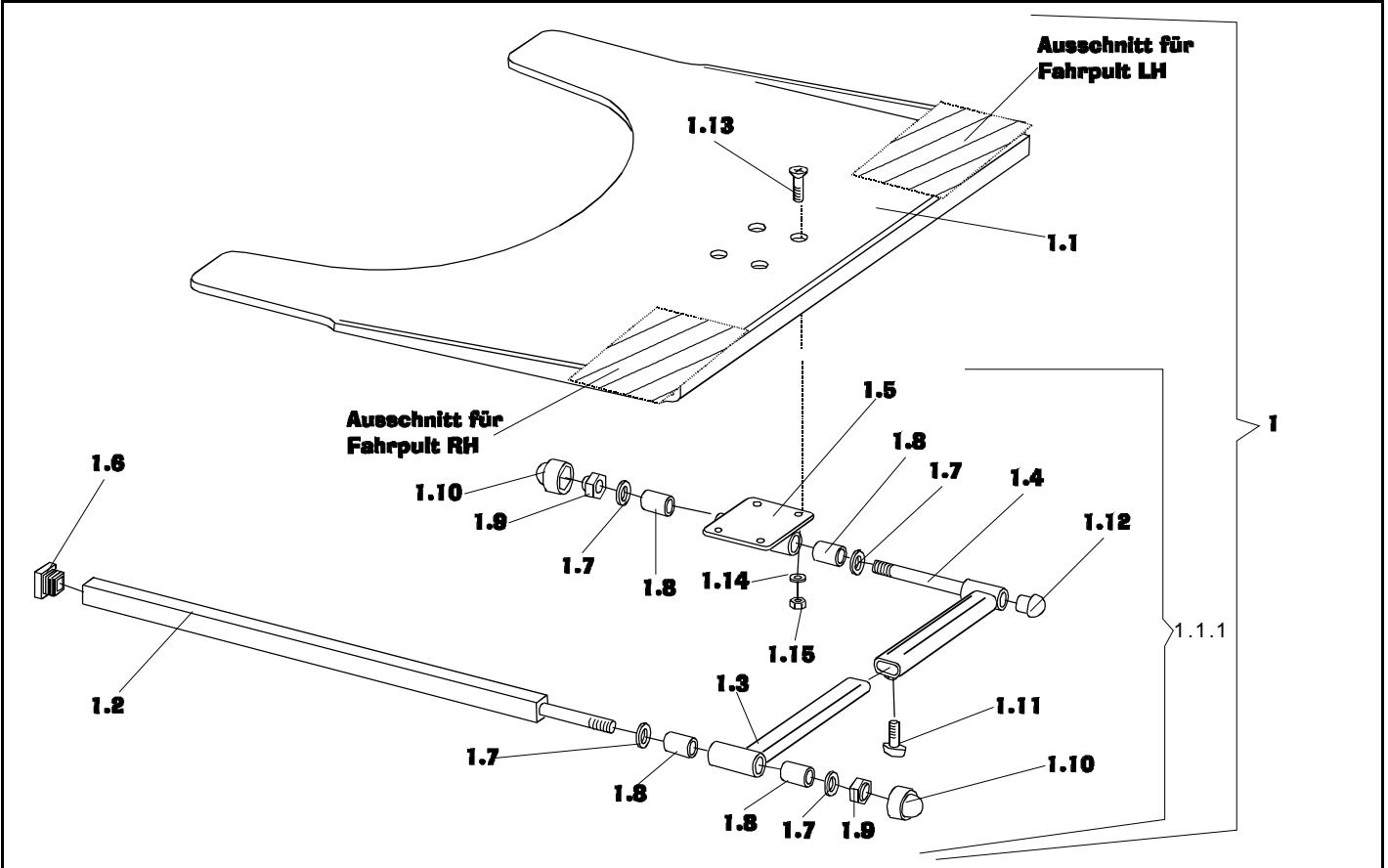


Customer :
 Customer No. :
 Phone :

Contact :
 Commission :
 Serial No. :



Item	Qty	Part-No.	Part-Designation
1	1	SP1422952	SWING-OUT TRAY F. CONTROL LH CPL.
1	1	SP1422953	SWING-OUT TRAY F. CONTROL RH CPL.
1.1	1	Z177017	TRAY-LH CONTROL; TRANSPARENT
1.1	1	Z177016	TRAY-RH CONTROL; TRANSPARENT
1.1.1	1	SPZ177011	TRAY SUPPORT FIXING KIT CPL.
1.2	1		SUPPORT TUBE; CHROME PLATED
1.3	1		SWING ARM; CHROME PLATED
1.4	1		SWING ARM EXTENSION; CHROME PLATED
1.5	1		TRAY SUPPORT BRACKET; CHROME PLATED
1.6	1		TUBE END PLUG E 15 X 15
1.7	4		WASHER 13 X 24 X 2,5
1.8	4		BUSH RD. 19 X 3.5 X 25
1.9	2		NYLOC NUT M12
1.10	2		NUT CAP M12
1.11	1	L31001	HAND KNOB M6 X 10
1.12	1		TUBE END PLUG SL 22
1.13	4		COUNTERSUNK CROSS HEAD SCREW M6 X 20
1.14	4		WASHER 6,4 X 12,5 X 1,6
1.15	4		DOMED NYLOC NUT M6, SELF-LOCKING

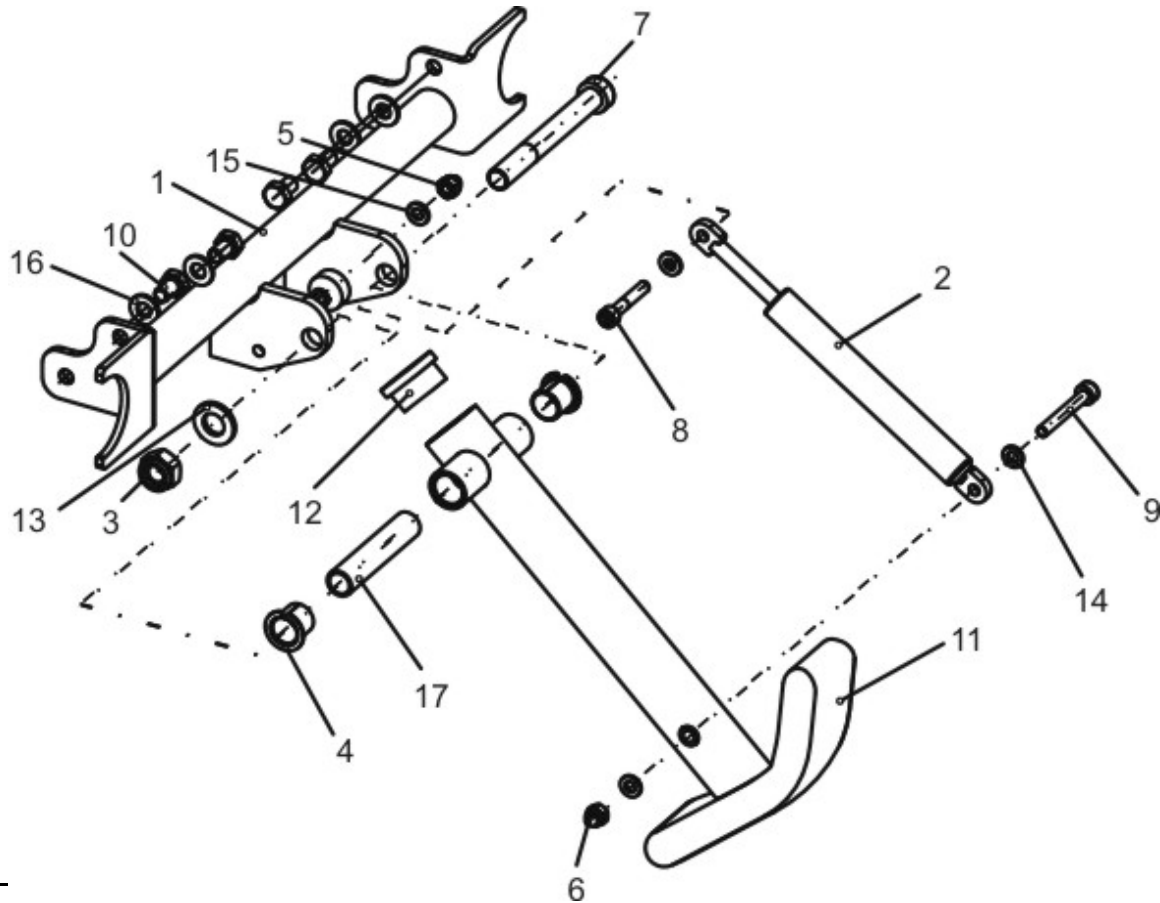
Storm 3



Release
 07 / 2004
 Chapter 15
 Sheet 1

Customer :
 Customer No. :
 Phone :

Contact :
 Commission :
 Serial No. :



Item	Qty	Part-No.	Part-Designation
-	1	SP1418452	KERB CLIMBER CPL.
1	1		KERB CLIMBER RECEPTACLE
2	1	N10499	GAS STRUT
3	1		NYLOC NUT M12
4	2	N02201	BUSH BB 1517 DU
5	1		DOMED NYLOC NUT M6, SELF-LOCKING
6	1		DOMED NYLOC NUT M6, SELF-LOCKING
7	1		SOCKET HEAD CAP SCREW M12 X 100
8	1		SOCKET HEAD CAP SCREW M6 X 35
9	1		SOCKET HEAD CAP SCREW M6 X 45
10	4		HEX HEAD SCREW M8 X 12
11	1	1433733	KERB CLIMBER WITH SHOE
12	1	L01039	TUBE END PLUG F 38 X 20
13	1		WASHER 13 X 24 X 2,5
14	2		WASHER 6,4 X 12,5 X 1,6
15	2		WASHER 6,4 X 12,5 X 1,6
16	4		WASHER 8,4 X 17 X 1,6
17	1		SPACER BUSH

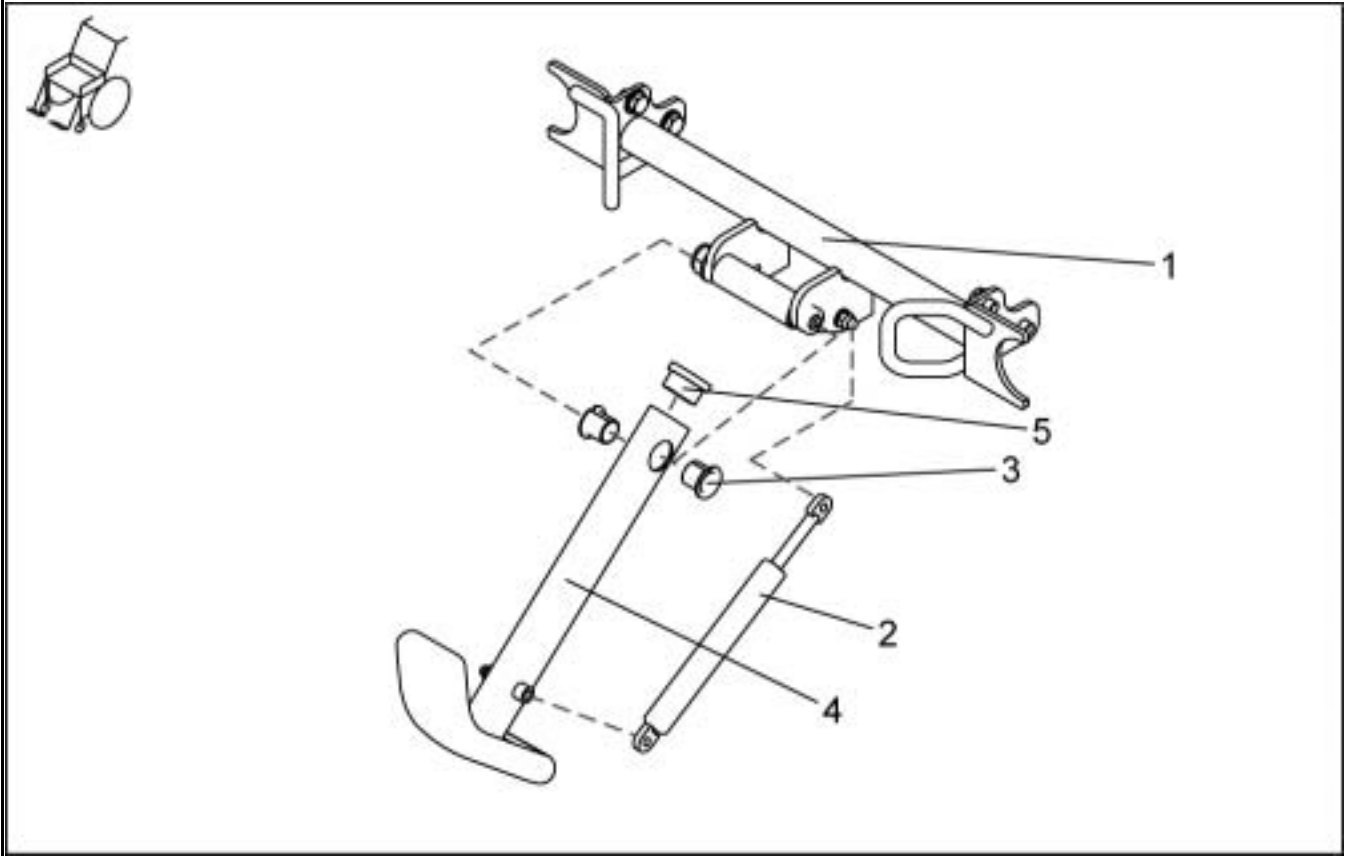
Storm 3



Release
 07 / 2004
 Chapter 16
 Sheet 1

Customer :
 Customer No. :
 Phone :

Contact :
 Commission :
 Serial No. :



Item	Qty	Part-No.	Part-Designation
-	1	SP1434453	CURBCLIMBER WITH FRONT FIXATION CPL.
1	1	1434454-9005	KERBSTONE RAISER RECEPTACLE WITH FIXING BRACKETS
2	1	N10499	GAS STRUT
3	2	N02201	BUSH BB 1517 DU
4	1	1433733	KERB CLIMBER WITH SHOE
5	1	L01039	TUBE END PLUG F 38 X 20

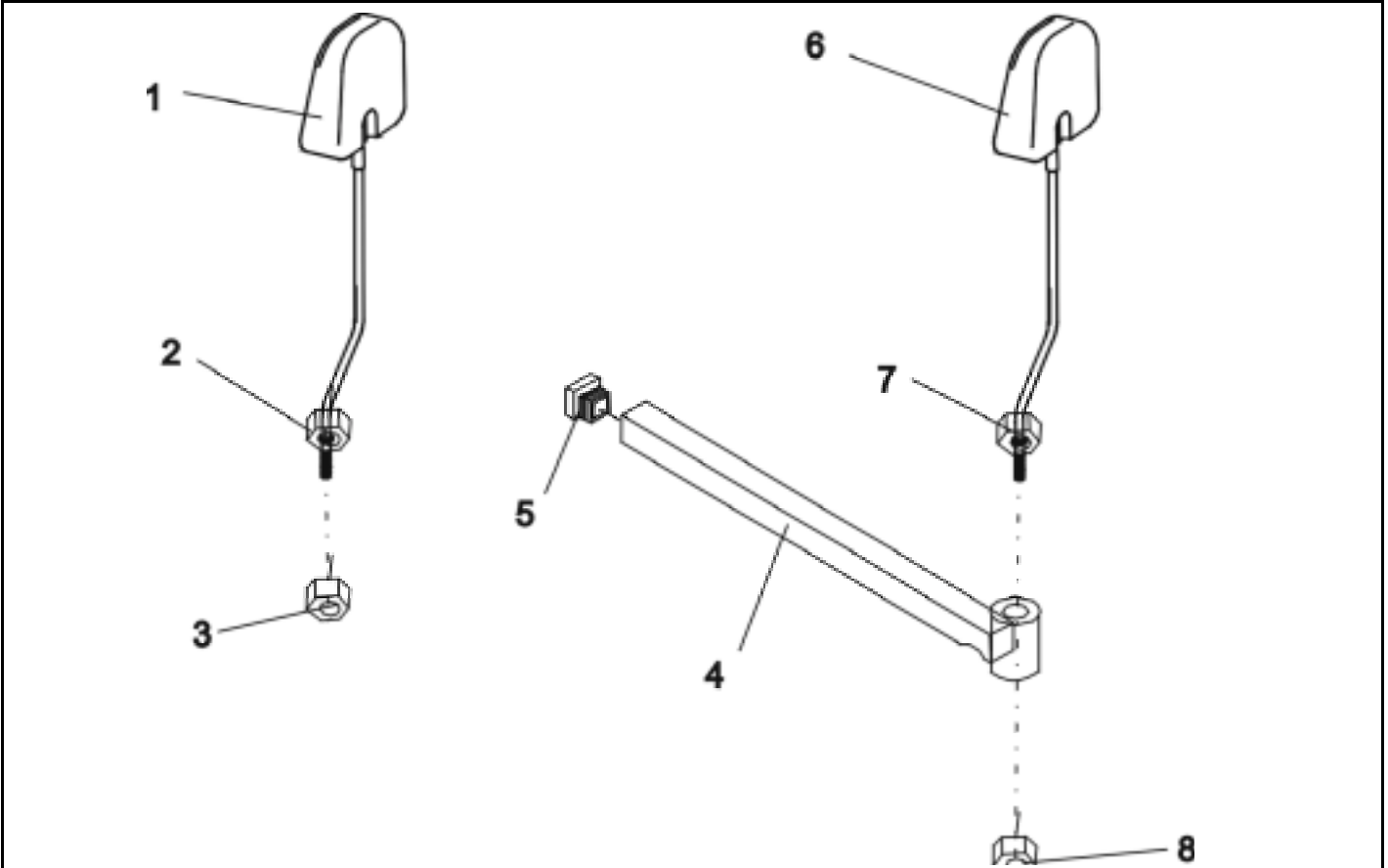
Storm 3



Release
 07 / 2004
 Chapter 16
 Sheet 2

Customer :
 Customer No. :
 Phone :

Contact :
 Commission :
 Serial No. :



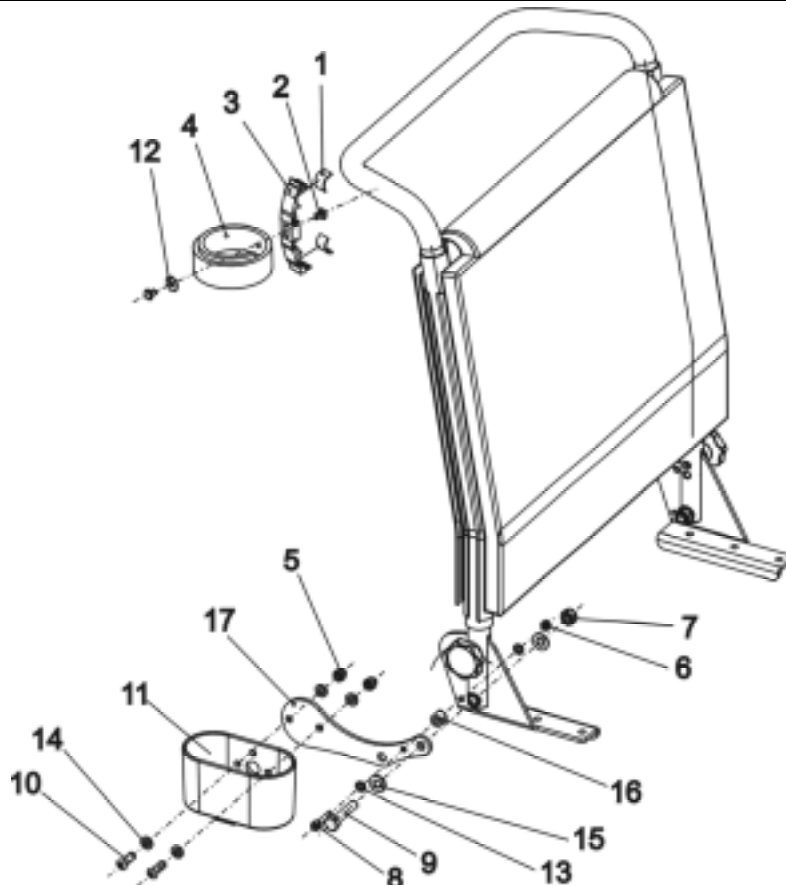
Item	Qty	Part-No.	Part-Designation
-	1	SP1422955	REAR MIRROR F. STD. / COMFORT SEAT CPL.
1	1		MIRROR (WITHOUT CLIP AND NUT); BLACK
2	1		HEX NUT M8
3	1		NYLOC NUT M8
-	1	SP1422881	REAR MIRROR RECARO CPL.
-	1	SP1423435	REAR MIRROR SUPPORT RAIL CPL.
4	1		HOLDER FOR REAR MIRROR RECARO; RAL 9005, DEEP BLACK
5	1		TUBE END PLUG E 15 X 15
6	1	N90080	MIRROR (WITHOUT CLIP AND NUT); BLACK
7	1	F10196	HEX NUT M8
8	1	F00002	NYLOC NUT M8
-	1	SP1422868	ON-BOARD TOOLS C/W BAG, REPLACEMENT SET
-	1		ON BOARD 5-PART TOOL SET FOR TOOL BAG "Z176044"
-	1		TOOL BAG: LIGHT GREY "LONDON"
-	1	Q99991	PUMP WITH INSERT HOSE

Storm 3



Customer :
 Customer No. :
 Phone :

Contact :
 Commission :
 Serial No. :



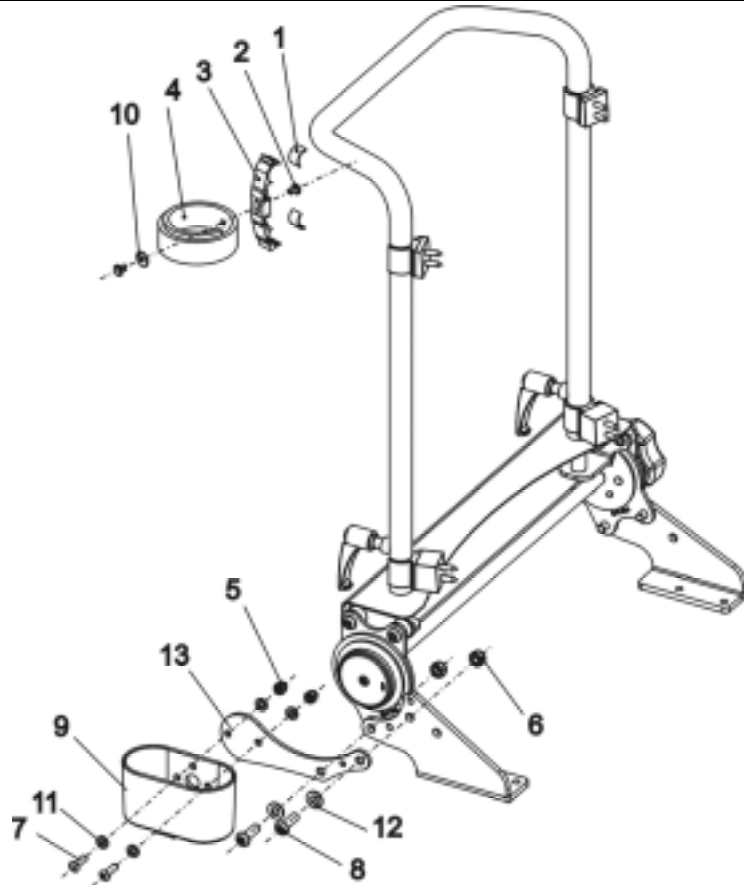
Item	Qty	Part-No.	Part-Designation
-	1	SP1422844	CANE HOLDER STD. CPL.
1	2		ADHESIVE TAPE
2	2		SKIFFY NAIL
3	1		SPEED CLIP
4	1		STRAP
5	2		DOMED NYLOC NUT M6, SELF-LOCKING
6	1		NYLOC NUT M5
7	2		NYLOC NUT M8
8	1		SOCKET HEAD CAP SCREW M5 X 25
9	1		HEX HEAD SCREW M8 X 40
10	2		BUTTONHEAD SOCKET SCREW, M6 X 20
11	1		CANE RETAINER 117 X 61; BLACK
12	1		WASHER 5,3 X 15 X 1,6
13	2		WASHER 5.3 DIN 125
14	4		WASHER 6,4 X 12,5 X 1,6
15	4		WASHER 8,4 X 17 X 1,6
16	1		BUSH
17	1		CANE HOLDER PLATE

Storm 3



Customer :
 Customer No. :
 Phone :

Contact :
 Commission :
Serial No. :



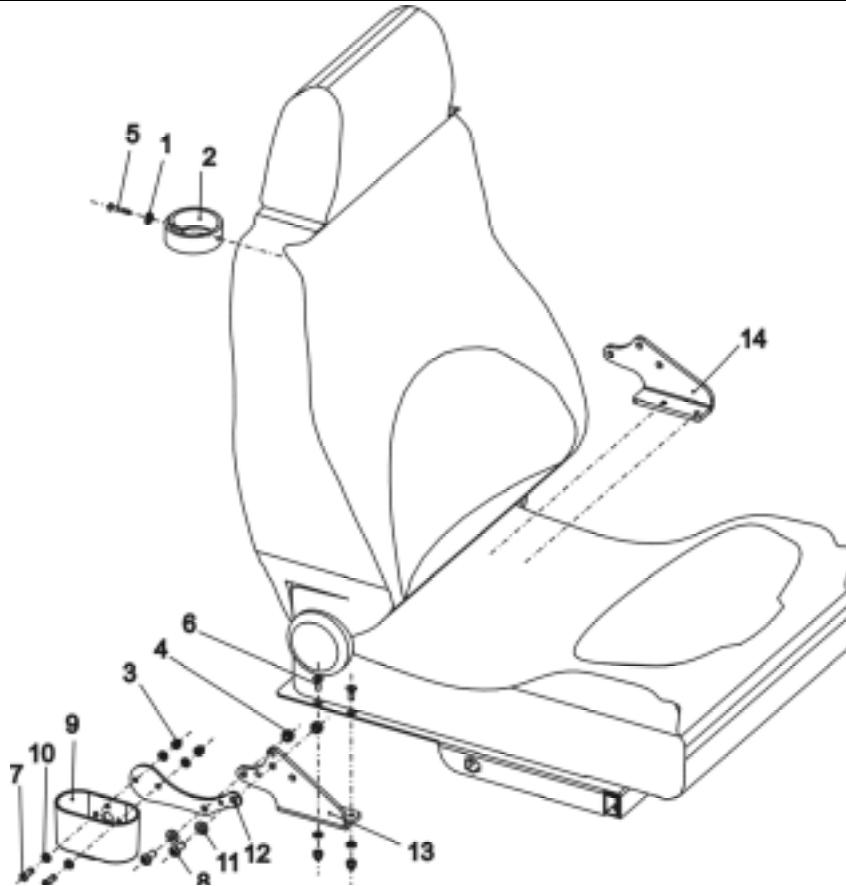
Item	Qty	Part-No.	Part-Designation
-	1	SP1422949	CANE HOLDER CONTOUR / FLEX SEAT CPL.
1	2		ADHESIVE TAPE
2	2		SKIFFY NAIL
3	1		SPEED CLIP
4	1		STRAP
5	2		DOMED NYLOC NUT M6, SELF-LOCKING
6	2		NYLOC NUT M8
7	2		BUTTONHEAD SOCKET SCREW, M6 X 20
8	2		SCREW M8 X 25
9	1		CANE RETAINER 117 X 61; BLACK
10	1		WASHER 5,3 X 15 X 1,6
11	4		WASHER 6,4 X 12,5 X 1,6
12	2		WASHER 8,4 X 17 X 1,6
13	1		CANE HOLDER PLATE

Storm 3



Customer :
 Customer No. :
 Phone :

Contact :
 Commission :
 Serial No. :



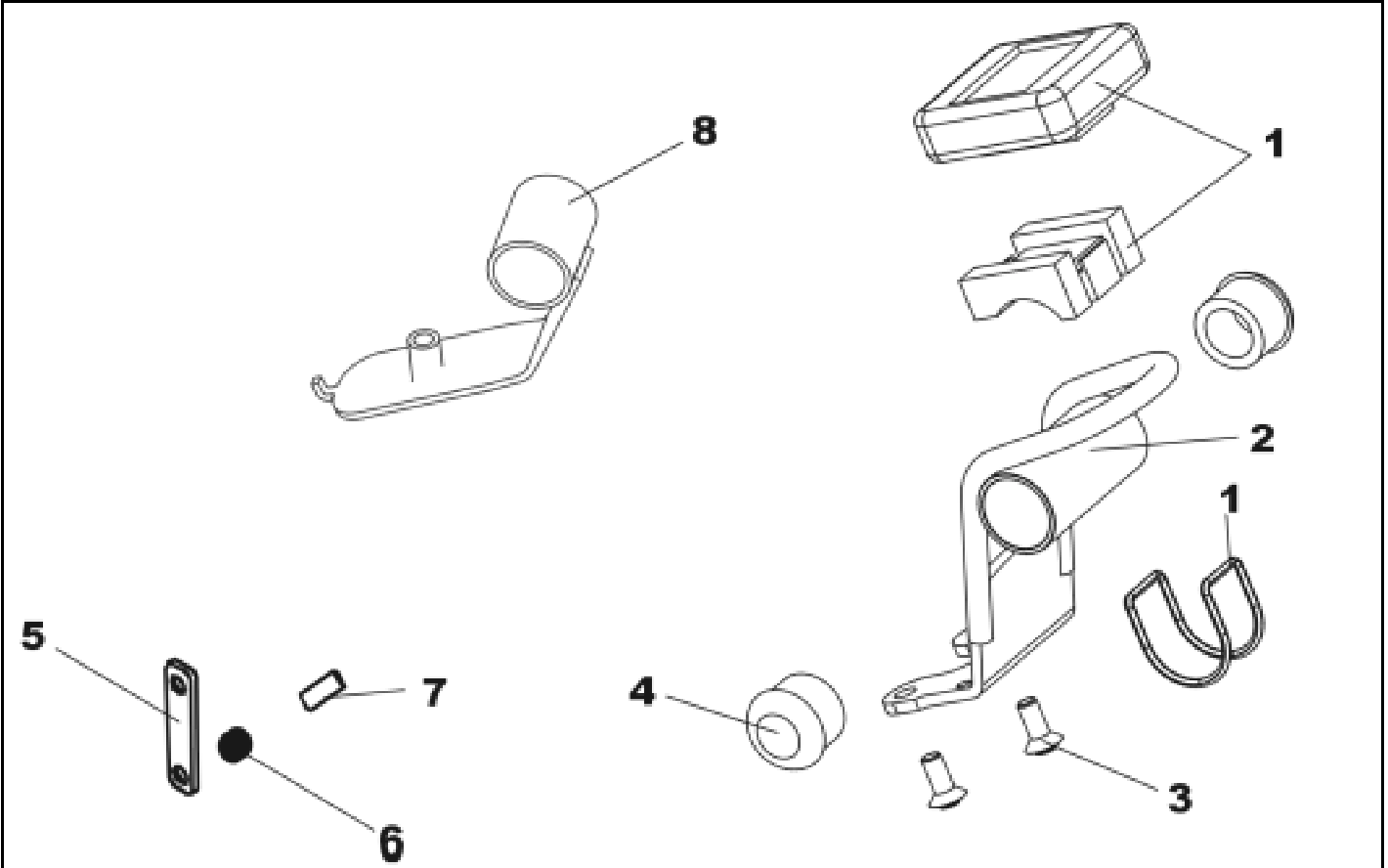
Item	Qty	Part-No.	Part-Designation
-	1	SP1423159	CANE HOLDER RECARO CPL.
1	1		PLASTIC UPHOLSTERY WASHER
2	1		STRAP
3	4		DOMED NYLOC NUT M6, SELF-LOCKING
4	2		NYLOC NUT M8
5	1		DOMED HEAD SELF TAPPING SCREW 4,8 X 32
6	2		COUNTERSUNK SOCKET HEAD SCREW M6 X 16
7	2		BUTTONHEAD SOCKET SCREW, M6 X 20
8	2		SCREW M8 X 20
9	1		CANE RETAINER 117 X 61; BLACK
10	6		WASHER 6,4 X 12,5 X 1,6
11	2		WASHER 8,4 X 17 X 1,6
12	1		CANE HOLDER PLATE
13	1		BRACE RECEPTACLE manual RH
14	1		BRACE RECEPTACLE manual/electrical LH

Storm 3



Customer :
 Customer No. :
 Phone :

Contact :
 Commission :
Serial No. :



Item	Qty	Part-No.	Part-Designation	
1	1	SP1421843	SIGMA SPORT BC 600 SPEEDOMETER; CPL. (REM 24)	
2	1	Z183255.P14	ACS-SPEEDOMETER BRACKET REM 24; RAL 7021 DARK GREY	
3	2		COUNTERSUNK CROSS HEAD SCREW M5 X 12	
4	2		TUBE END PLUG SL 22	
5	1	Z183083.99	SENSOR BRACKET, ZINC PLATED	-->09/03
5	1	1436177-0002	SENSOR BRACKET, ZINC PLATED	10/03-->
6	1	P22317	CABLE SOCKET 6 X 10 X 13; BLACK	
7	1	P30497	MAGNET, ROUND 6 X 25	
-	1	Z183259	ACS-SPEEDOMETER CABLE	
-	1	Z183258	ACS-REED-SENSOR CABLE L=1900 MM	
1	1	SP1422841	SIGMA SPORT BC 600 SPEEDOMETER; CPL. (G 80I)	
8	1	Z183296-9005	ACS SPEEDOMETER HOLDER G 80I; RAL 7021BLACK-GREY	
4	2		TUBE END PLUG SL 22	
5	1	Z183083.99	SENSOR BRACKET, ZINC PLATED	-->09/03
5	1	1436177-0002	SENSOR BRACKET, ZINC PLATED	10/03-->
6	1	P22317	CABLE SOCKET 6 X 10 X 13; BLACK	
7	1	P30497	MAGNET, ROUND 6 X 25	
-	1	Z183259	ACS-SPEEDOMETER CABLE	
-	1	Z183258	ACS-REED-SENSOR CABLE L=1900 MM	

Storm 3



Release
 07 / 2004
 Chapter 16
 Sheet 7

Customer :
 Customer No. :
 Phone :

Contact :
 Commission :
Serial No. :



<i>Item</i>	<i>Qty</i>	<i>Part-No.</i>	<i>Part-Designation</i>
1	2	5253067-TR23	TRUNK SUPPORT; DARTEX GREY
1	2	5253067-TR04	TRUNK SUPPORT; VINYL GREY
1	2	1422545	TRUNK SUPPORT FLEX; BLUE

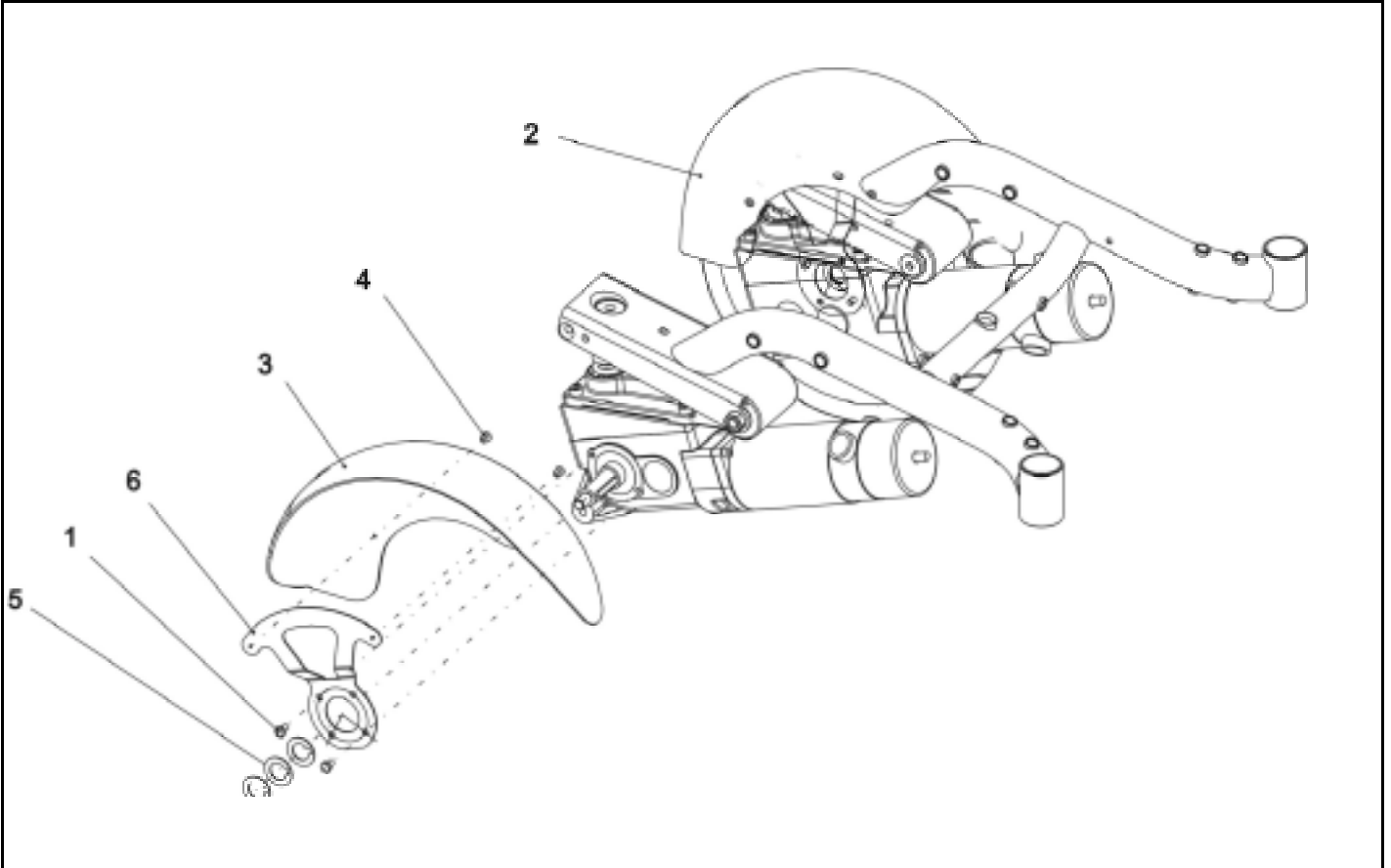
Storm 3



Release
 07 / 2004
 Chapter 16
 Sheet 8

Customer :
 Customer No. :
 Phone :

Contact :
 Commission :
 Serial No. :



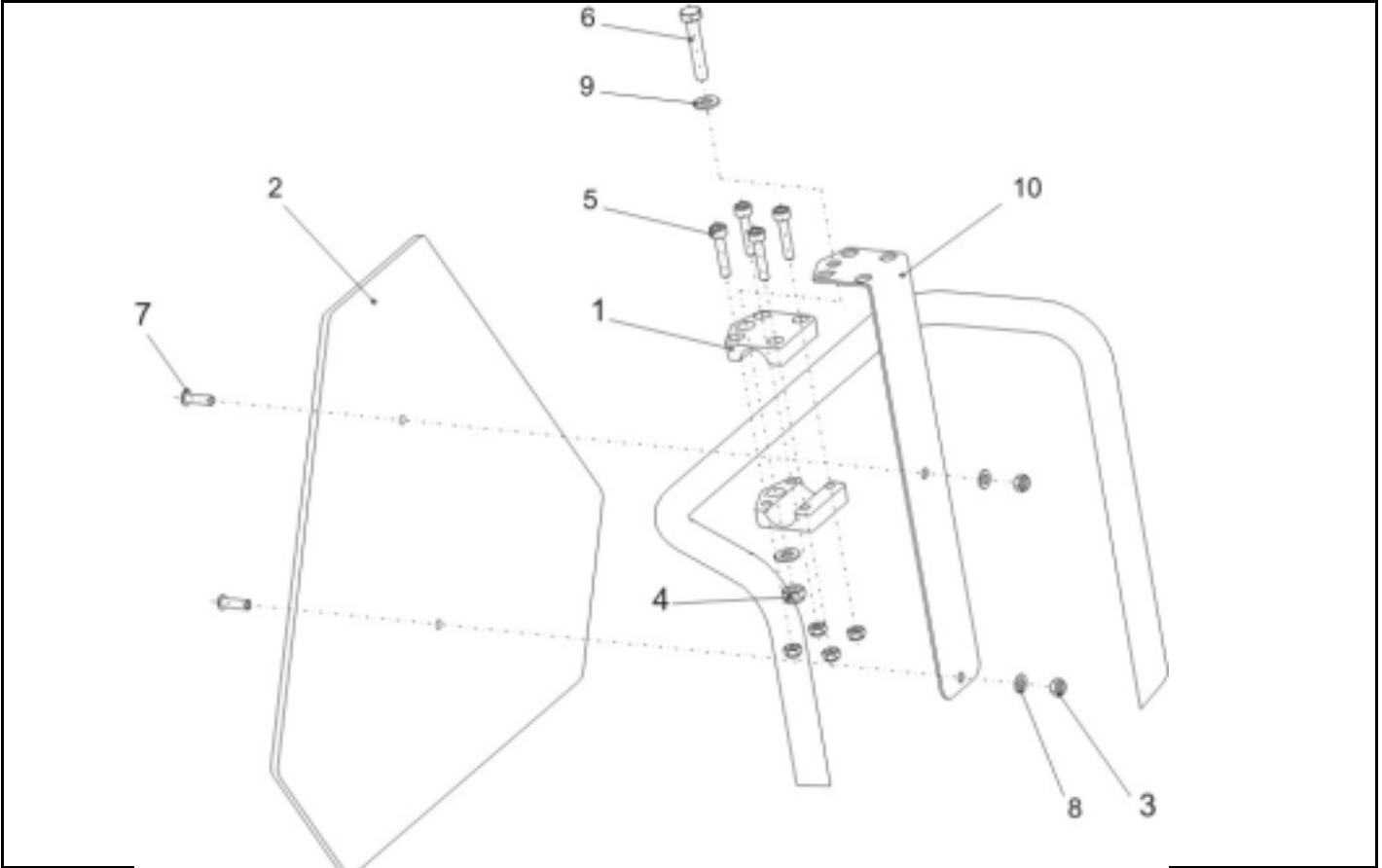
Item	Qty	Part-No.	Part-Designation
-	1	1429341	REAR FENDER CPL.
2	1	SP1424678	MUDGUARD REAR LH CPL.
1	2		HEX HEAD SCREW M6 X 10
2	1	1424678	REAR FENDER LE
4	2		RIVET 3,2 MM
5	3		WASHER 19 MM WITH CUTOUT FOR FEATHER KEY
6	1		FENDER SUPPORT BRACKET
-	1		SPRING WASHER 24 X 13 X 1,2 PROFILE A, DIN-137; GALV...
3	1	SP1424676	MUDGUARD REAR RH CPL.
1	2		HEX HEAD SCREW M6 X 10
3	1	1424676	REAR FENDER RE
4	2		RIVET 3,2 MM
5	3		WASHER 19 MM WITH CUTOUT FOR FEATHER KEY
6	1		FENDER SUPPORT BRACKET
-	1		SPRING WASHER 24 X 13 X 1,2 PROFILE A, DIN-137; GALV...

Storm 3



Customer :
 Customer No. :
 Phone :

Contact :
 Commission :
 Serial No. :



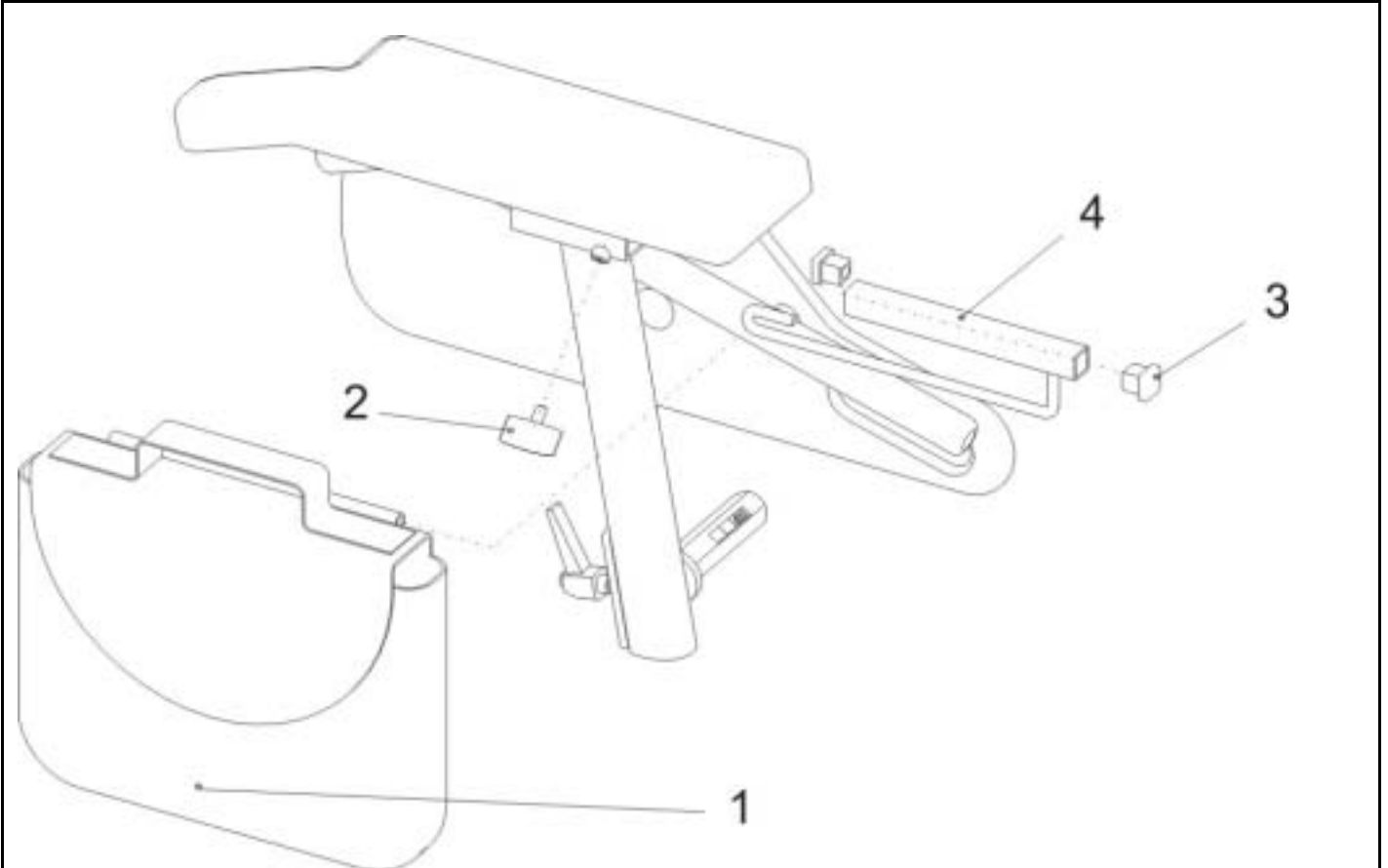
Item	Qty	Part-No.	Part-Designation
-	1	SP1430410	REAR MARKING SIGN ECE-R 69 CPL.
1	2		GRIPPING CLIP W. HEXAGON HOLE
2	1	1430834	REAR MARKING SIGN ECE-R 69
3	6		NYLOC NUT M6
4	1		NYLOC NUT M8
5	4		SOCKET HEAD CAP SCREW M6 X 30
6	1		AXLE BOLT M8 X 45
7	2		BUTTONHEAD SOCKET SCREW, M6 X 20
8	2		WASHER 6,4 X 12,5 X 1,6
9	2		WASHER 8,4 X 17 X 1,6
10	1		FIXING BRACKET FOR REAR SIGN/RAL 9005

Storm 3



Customer :
 Customer No. :
 Phone :

Contact :
 Commission :
 Serial No. :



Item	Qty	Part-No.	Part-Designation
-	1	SP1430416	BAG FOR SIDE PANEL RH CPL.
-	1	SP1430417	BAG FOR SIDE PANEL LH CPL.
1	1		ARMREST BAG
2	1		HAND KNOB M6 X 10
3	2		TUBE END PLUG E 15 X 15
4	1		BAG HOLDER

Storm 3



Customer :
 Customer No. :
 Phone :

Contact :
 Commission :
Serial No. :

Dokumentation

Documentation

Item	Qty	Part-No.	Part-Designation		
-	1	1436385	USER MANUAL REM 24 SD "ITALIAN"	03/04 ->	
-	1	1436386	USER MANUAL REM 24 SD "FINNISH"	03/04 ->	
-	1	1436142	USER MANUAL REM 24 SD "GERMAN"	03/04 ->	
-	1	1436143	USER MANUAL REM 24 SD "FRENCH"	03/04 ->	
-	1	1436144	USER MANUAL REM 24 SD "ENGLISH"	03/04 ->	
-	1	1436145	USER MANUAL REM 24 SD "SWEDISH"	03/04 ->	
-	1	1436146	USER MANUAL REM 24 SD "DANISH"	03/04 ->	
-	1	1436147	USER MANUAL REM 24 SD "NORWEGIAN"	03/04 ->	
-	1	1436148	USER MANUAL REM 24 SD "DUTCH"	03/04 ->	
-	1	1436149	USER MANUAL REM 24 SD "SPANISH"	03/04 ->	
-	1	1436150	USER MANUAL REM 24 SD "PORTUGESE"	03/04 ->	
-	1	1418467	USER MANUAL STORM ³ "GERMAN"		
-	1	1421740	USER MANUAL STORM ³ "ENGLISH"		
-	1	1421742	USER MANUAL STORM ³ "FRENCH"		
-	1	1421743	USER MANUAL STORM ³ "DANISH"		
-	1	1421745	USER MANUAL STORM ³ "DUTCH"		
-	1	1421746	USER MANUAL STORM ³ "FINNISH"		
-	1	1421747	USER MANUAL STORM ³ "ITALIAN"		
-	1	1421748	USER MANUAL STORM ³ "NORWEGIAN"		
-	1	1421749	USER MANUAL STORM ³ "PORTUGESE"		
-	1	1421750	USER MANUAL STORM ³ "SPANISH"		
-	1	1421751	USER MANUAL STORM ³ "SWEDISH"		

Storm 3



Customer :
Customer No. :
Phone :

Contact :
Commission :
Serial No. :

Dokumentation

Documentation

Item	Qty	Part-No.	Part-Designation
-	1	Q99081	OPERATION INSTRUCTION, TRAY-/CENTRAL STEERING
-	1	Q99082	USER MANUAL ACS-CHINCONTROL "FRENCH"
-	1	Q99083	USER MANUAL ACS-CHINCONTROL "GERMAN"
-	1	Q99086	USER MANUAL ACS-CHINCONTROL "ENGLISH"

Storm 3