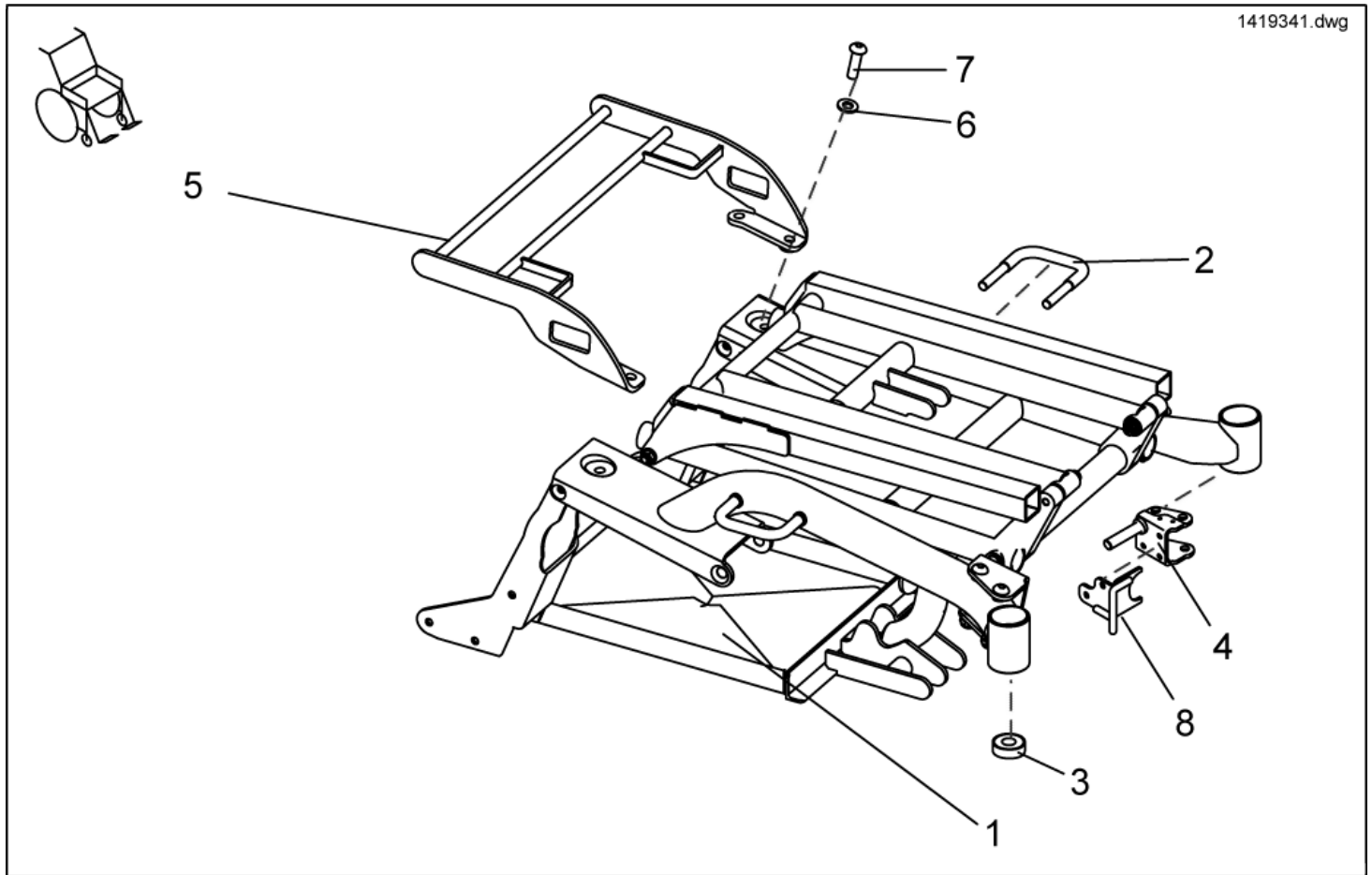


Chassis

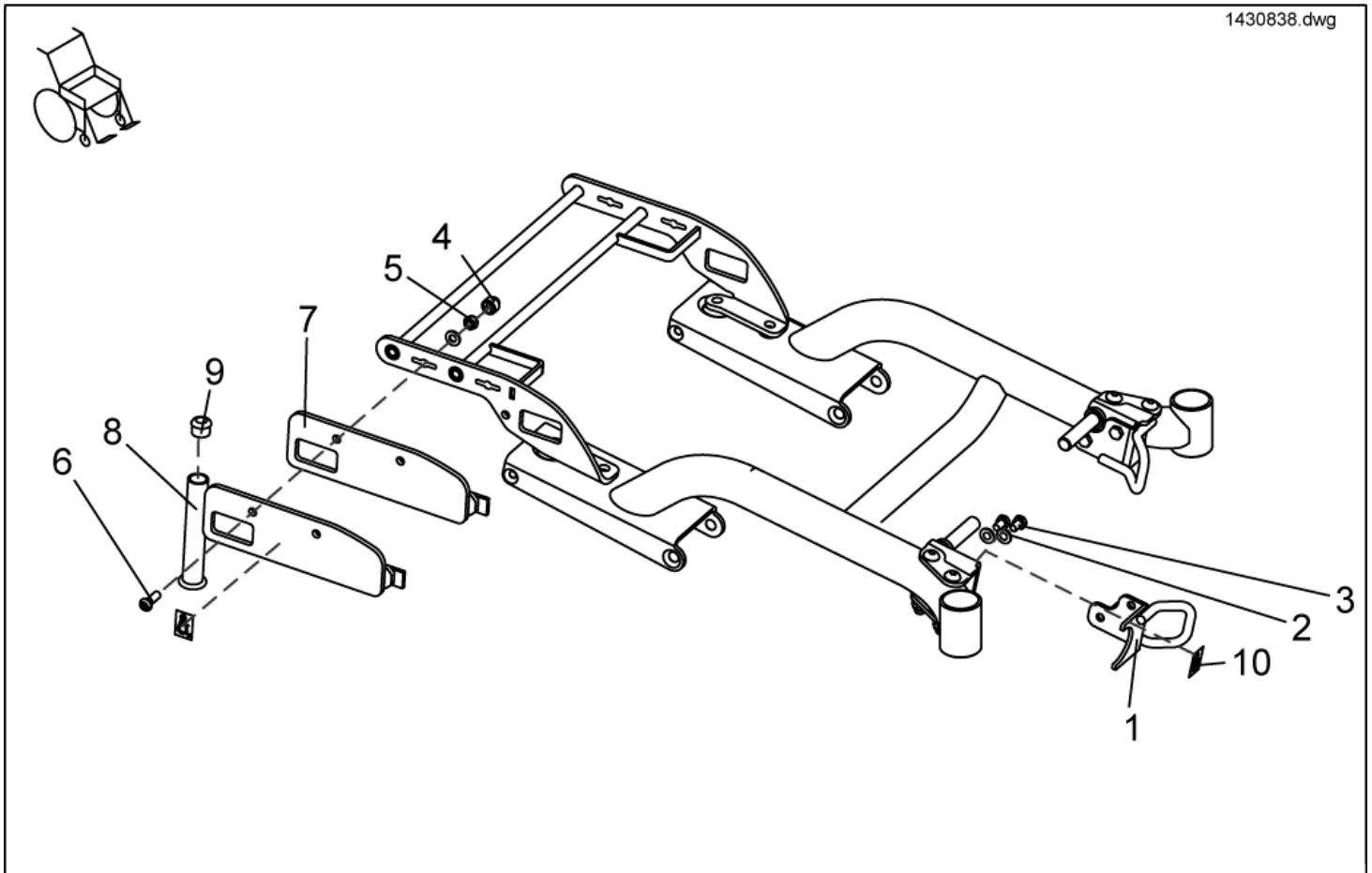
- ✓ **Note:** Special light racks are also required if the carrier is fitted to a vehicle without a carrier. Please also order the matching light racks (»»» see chapter on "Rear Lights").



item	ordercode	description	quantity
-	SP1419341	CHASSIS W. LIFTER A. BATTERY BOX, CPL., GREEN	1
-	SP1417949-1107060	PREASSEMBLED CHASSIS, GREEN	1
-	SP1421681	CHASSIS W. LIFTER A. BATTERY BOX, CPL., SILVER	1
-	SP1417949-9006	PREASSEMBLED CHASSIS, SILVER	1
-	SP1428066	CHASSIS W. LIFTER A. BATTERY BOX, CPL., BLUE	1
-	SP1417949-5002	PREASSEMBLED CHASSIS, BLUE	1
-	1418527	PREASSEMBLED LIFTER UNIT	1
-	SP1430338	CHASSIS w. LIFTER & BATTERY CASE BLUE CPL.	1
-	SP1430339	CHASSIS w. LIFTER & BATTERY CASE SILVER CPL.	1
-	SP1430340	CHASSIS w. LIFTER & BATTERY CASE GREEN CPL.	1
-	SP1430125	CHASSIS "EURO" CPL.	1
1	1417955-9005	PREASSEMBLED BATTERY FRAME	1
2	1421650-9005	SIDE FIXATION	2
3	1419254	ANGULAR BALL BEARING 7202B 2RS	4
4	1418547-9005	BEARING PLATE LH	1
4	1418544-9005	BEARING PLATE RH	1
5	SP1421022	LUGGAGE CARRIER CPL.	1
6-7	1440694	FIXING KIT LUGGAGE CARRIER CPL.	1
6	NA	WASHER DIN 125 10,5x2	4
7	NA	BOLT M10 X 35 DIN 7380	4
		Bauteil	
8	NA	»»» see "CRASH KIT"	1

Crash Kit

- ⚠ **CAUTION: Danger of injury if the wheelchair is not secured properly in the vehicle!**
In order to secure the empty wheelchair in the vehicle, please use the 4-Point-Tie-Down system. Please observe the chapter in the operating instructions on "Transport" for safe handling using the Standard transport system.
- ⚠ **CAUTION: Danger of injury if the wheelchair is not secured properly in the vehicle and if the user is not secured properly in the wheelchair.**
If a person is to be transported whilst sitting in the wheelchair you will require the 4-POINT-FIXATION (according to ISO 7176-19:2001) as well as a retaining belt (»»» see chapter on "retaining belts") and a headrest (»»» see chapter on "headrests"). The 4-POINT-FIXATION (according to ISO 7176-19:2001) has passed the test according to ISO 7176-19:2001 in connection with an anchoring system according to ISO 10542, retaining belt and headrest. It can, therefore, only be used in this configuration if the person remains seated in the wheelchair during transport. Please observe the chapter in the operating instructions on "transport" for safe handling using the 4-POINT-FIXATION (according to ISO 7176-19:2001).
- ✓ **Information:** CRASH KIT ONLY FITS LUGGAGE CARRIER SP1421022! ORDER IF NOT SUPPLIED!
- ✓ **Note:** Special light racks are also required if the carrier is fitted to a vehicle without a carrier. Please also order the matching light racks (»»» see chapter on "Rear Lights").

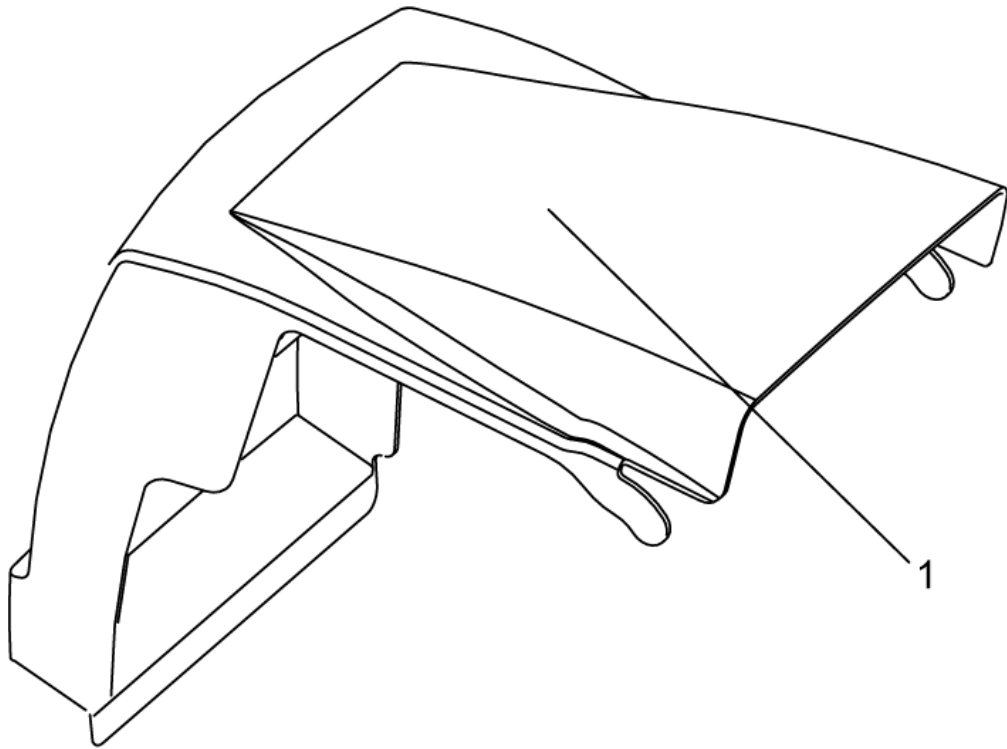


item	ordercode	description	quantity
1-7	1442928	4-POINT-TIE-DOWN, COMPLETE	1
1-6, 8-9	1442929	4-POINT-TIE-DOWN, FOR HOLLAND COMPLETE	1
1-7, 10	SP1430389	CRASH KIT ACCORDING TO ISO 7176-19	1
1-6, 8-10	SP1430391	CRASH KIT/TAXI STRAP FOR NL	1
1	1422049-9005	FRONT FIXATION LH	1
1	1422050-9005	FRONT FIXATION RH	1

item	ordercode	description	quantity
2+3	1444666	Mounting kit front fixation/ front fixation with kerb climber	1
2	NA	WASHER 8,4 X 17 X 1,6	8
3	NA	HEX HEAD SCREW M8 X 12	4
4	L01041	NUT CAP M8	4
5	NA	NYLOC NUT M8	4
6	NA	SCREW M8 X 25	4
7	1430389-9005	FIXING PLATE FOR ISO CRASH KIT LH	1
7	1430388-9005	FIXING PLATE FOR ISO CRASH KIT RH	1
8	1430391-9005	FIXING PLATE FOR HOLLAND CRASH KIT LH	1
8	1430392-9005	FIXING PLATE FOR HOLLAND CRASH KIT RH	1
9	L01008	TUBE END PLUG SL 22	2
10	NA	ISO 7176-19 STICKER RAL 1026	4

Shrouds

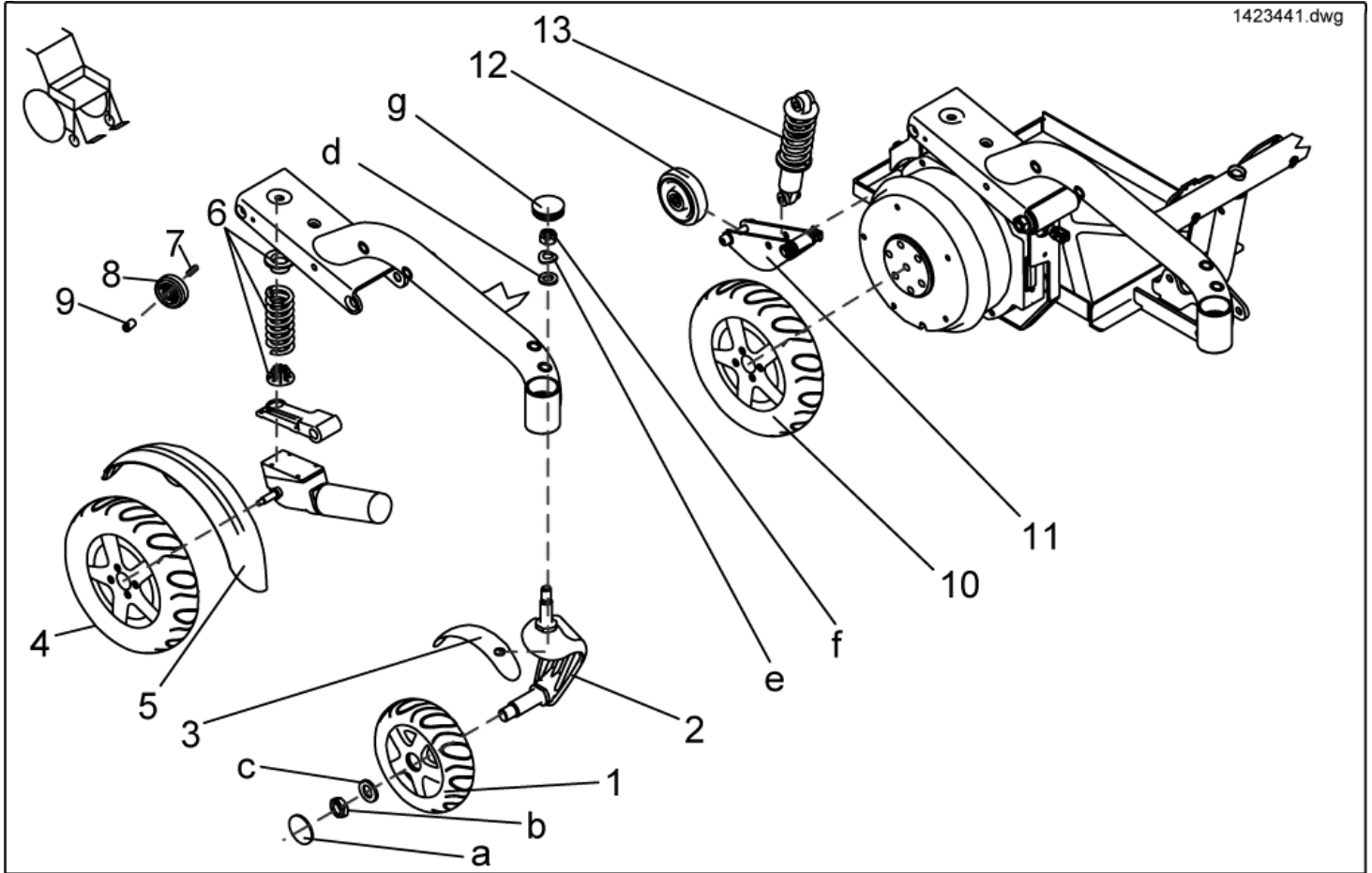
1428069.dwg



item	ordercode	description	quantity
1	SP1421845	BATTERY COVER GREEN CPL.	1
1	SP1421846	BATTERY COVER SILVER CPL.	1
1	SP1428069	BATTERY COVER BLUE CPL.	1

Wheel Suspension/ Wheels

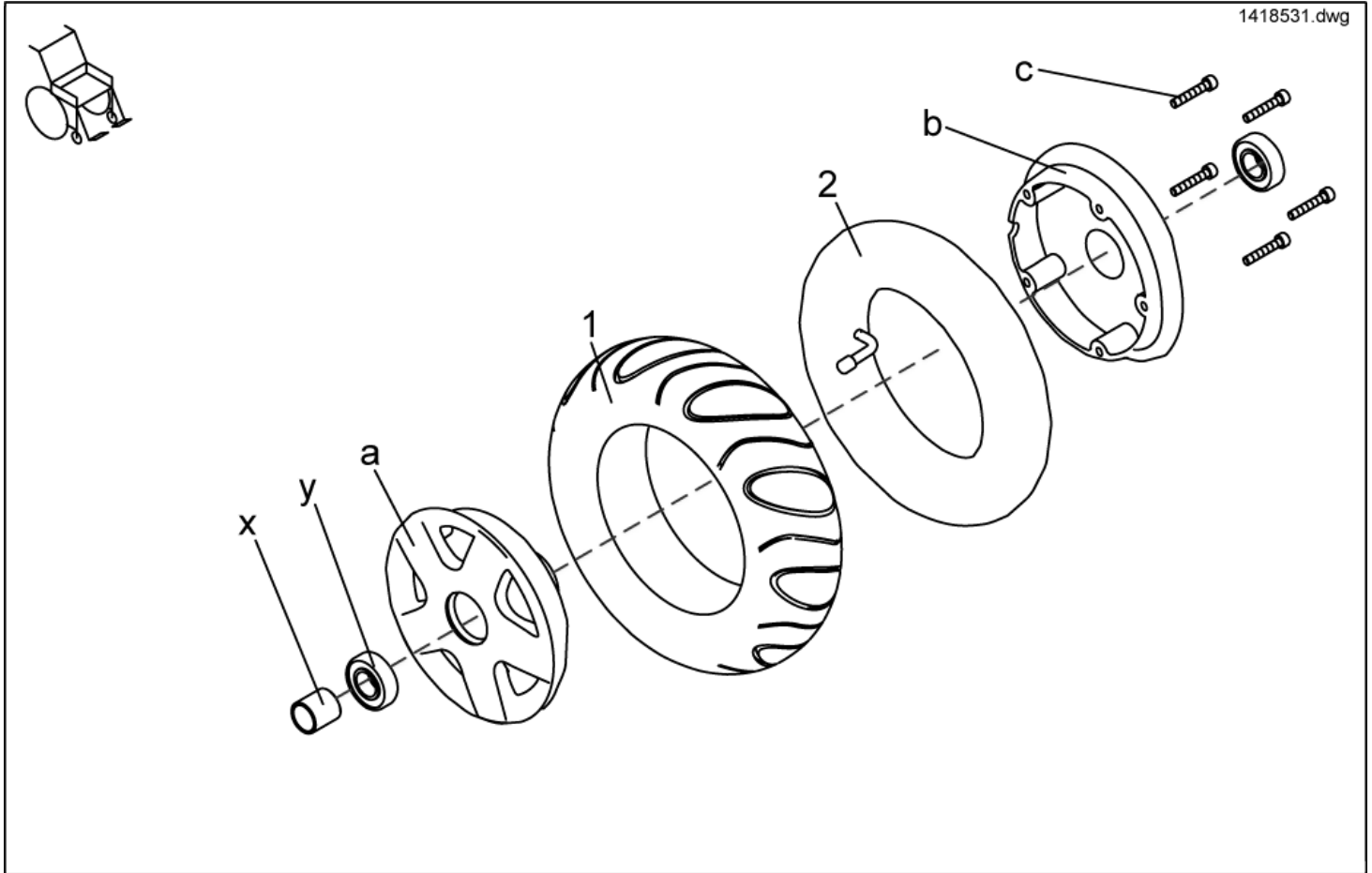
1423441.dwg



item	ordercode	description	quantity
1		»»» see "FRONT WHEELS"	2
2	SP1422771	WHEEL FORK LH	1
2	SP1422772	WHEEL FORK RH	1
3	SP1423179	SPLASH GUARD ASSEMBLY KIT LH	1
3	SP1423180	SPLASH GUARD ASSEMBLY KIT RH	1
a-g	SP1423178	FRONT WHEEL FORK ASSEMBLY KIT	2
a	NA	CAP WITH "INVACARE" LOGO	1
b	NA	NUT M16 X 1.5 ISO 4035	1
c	NA	WASHER 17 X 30 X 3	1
d	NA	WASHER 13 X 24 X 2,5	1
e	NA	SPRING WASHER 24 X 13 X 1,2 PROFILE A, DIN-137; GALV...	1
f	NA	NYLOC NUT M12 X 1,5	1
g	NA	SLIDER SL 42	1
4		»»» see "REAR WHEELS"	2
5	1429341	REAR FENDER CPL.	1
5	1443275	Rear Fender True Track cpl.	1
5	SP1424678	MUDGUARD REAR LH CPL.	1
5	1443276	Mudguard rear True Track LH cpl.	1
5	SP1424676	MUDGUARD REAR RH CPL.	1
5	1443277	Mudguard rear True Track RH cpl.	1
6	SP1423441	SPRING SET "HARD"	1
6	SP1423442	SPRING SET "SOFT"	1
7	1427057-0002	BUSH 12 X 2 X 35,5	4
8	1418533	ANTI-TIPPER WHEEL, KAMA 80 X 80	4
9	1428067-0002	BUSH 18 X 5 X 32	4
10		»»» see "REAR WHEELS True Track"	2
11	SP1429557	ANTI-TIP HOLDER AND WHEEL CPL.	2

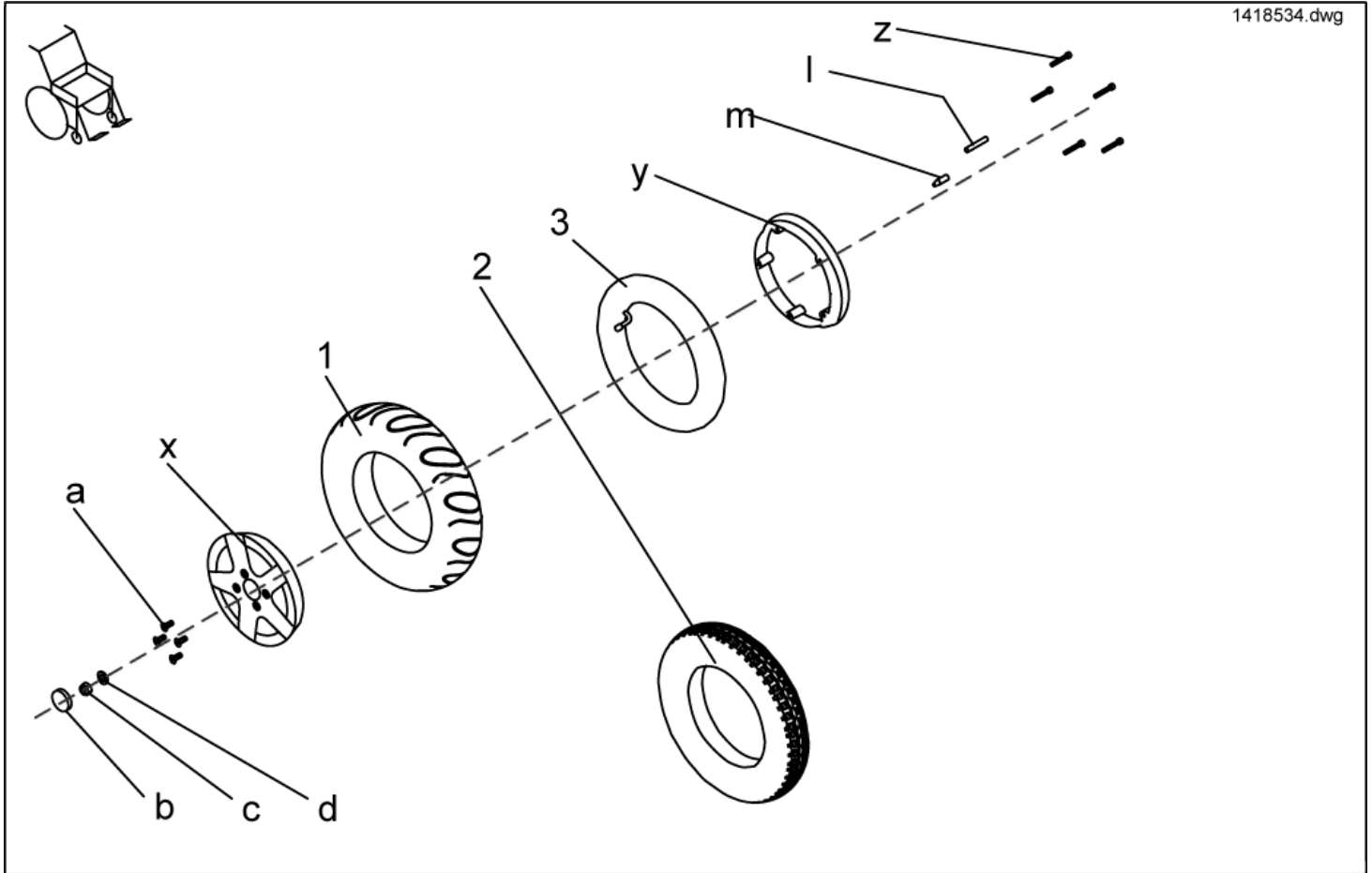
item	ordercode	description	quantity
12	SP1428929	SUPPORT WHEEL	2
13	1428928	SHOCK ABSORBER DV-22-165	2

Front Wheels



item	ordercode	description	quantity
-	SP1418531	WHEEL 3.00-6" AIR, GREY, CPL.	2
-	SP1419256	WHEEL 3.00-6" AIR, BLACK, CPL.	2
-	SP1422932	WHEEL 3.00-6" PUNCTURE-PROTECTED, GREY, CPL.	2
-	SP1422933	WHEEL 3.00-6" PUNCTURE-PROTECTED; BLACK, CPL.	2
-	SP1430231	WHEEL 3.00-6 PUNCTURE-PROOF SOLID INLAY GREY CPL.	2
-	SP1430232	WHEEL 3.00-6 PUNCTURE-PROOF SOLID INLAY BLACK CPL.	2
1	1418532	COVER 3.00-6", GREY	1
1	1419226	COVER 3.00-6", BLACK	1
1	1430229	OUTER TYRE 3.00-6 GREY PUNCTURE-PROOF SOLID INLAY	1
1	1430230	OUTER TYRE 3.00-6 BLACK PUNCTURE-PROOF SOLID INLAY	1
2	1415175	TUBE 3.00 X 6 90 ° TR 87	1
a-c	SP1423181	WHEEL RIM ASSEMBLY KIT 6", CPL.	2
a	NA	TYRE LOCKING RING 6", OUTSIDE	1
b	NA	TYRE LOCKING RING 6", INSIDE	1
c	NA	SOCKET HEAD CAP SCREW M6 X 35	5
x+y	SP1423182	WHEEL RIM BEARING SET 6", CPL.	2
x	NA	SPACER BUSH	1
y	NA	DEEP GROVE BALL BEARING 6004-2RS	2

Driving Wheels

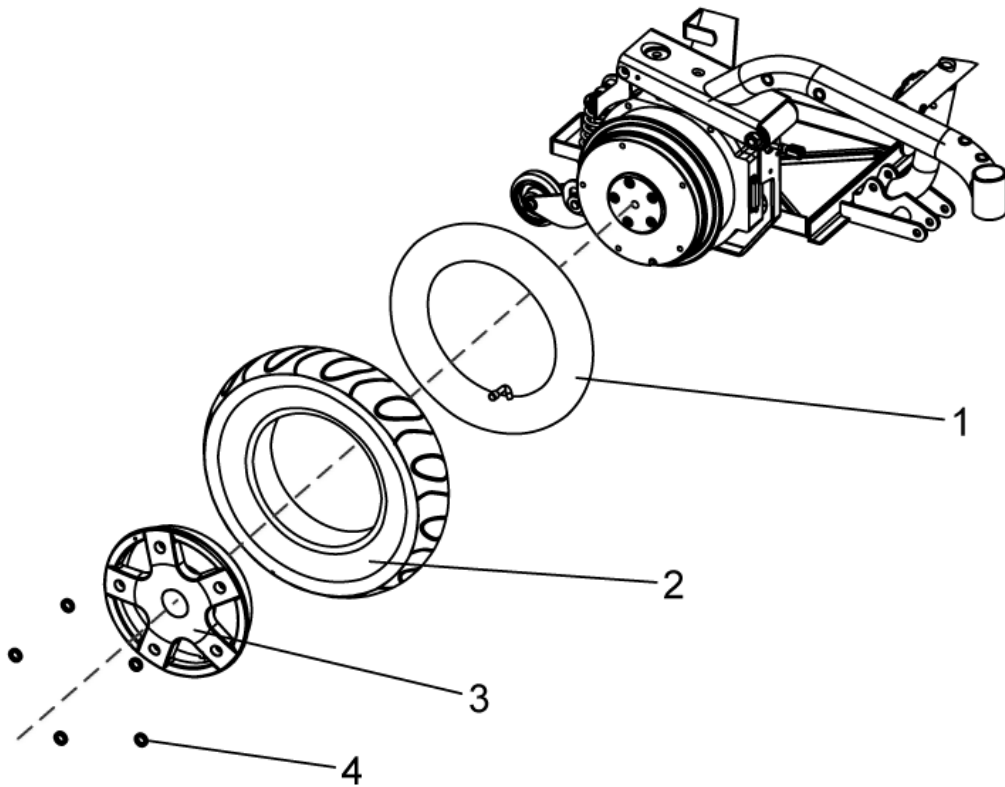


item	ordercode	description	quantity
-	SP1433544	Antriebsrad komplett, Trelleborg Tyreg. T-539, grau, pannengeschützt	2
-	SP1433543	Antriebsrad komplett, Trelleborg Tyreg. T-539, grau, pneumatisch	2
-	SP1418534	WHEEL 3.00-8" AIR, GREY, CPL.	2
-	SP1419258	WHEEL 3.00-8" AIR, BLACK, CPL.	2
-	SP1421829	WHEEL 3.00-8" PUNCTURE-PROTECTED, GREY, CPL.	2
-	SP1421831	WHEEL 3.00-8" PUNCTURE-PROTECTED, BLACK, CPL.	2
-	SP1430220	WHEEL 3.00-8 PUNCTURE-PROOF SOLID INLAY GREY CPL.	2
-	SP1430221	WHEEL 3.00-8 PUNCTURE-PROOF SOLID INLAY BLACK CPL.	2
-	SP1421801	WHEEL 3.00-8" TRELLEBORG, GREY, CPL.	2
-	SP1421833	WHEEL 3.00-8" TRELLEBORG PUNCTURE-PROTECTED, GREY, CPL.	2
1	1415173	COVER 3.00-8", GREY	2
1	1419257	COVER 3.00-8", BLACK	2
1	1430215	OUTER TYRE 3.00-8 GREY PUNCTURE-PROOF SOLID INLAY	2
1	1430217	OUTER TYRE 3.00-8 BLACK PUNCTURE-PROOF SOLID INLAY	2
2	M11968	TYRE 3.00X8, STOLLE, (TRELLEBORG), GREY	2
3	M12016	INNER TUBE 3.00-8 WITH VALVE TR 87-90/90	2
a-d	SP1423443	WHEEL ASSEMBLY KIT 3.00-8"	2
a	NA	SCREW M8 X 35 TORX DIN 7991	4
b	NA	CAP WITH "INVACARE" LOGO	1
c	NA	NYLOC NUT M12 X 1,5	1
d	NA	WASHER 13 X 24 X 2,5	1
l+m	SP1423185	SPEEDOMETER DRIVE GEAR ASSEMBLY KIT, CPL.	1
l	NA	MAGNETIC RUBBER	1
m	NA	MAGNET, ROUND 6 X 25	1
x-z	SP1423184	WHEEL RIM ASSEMBLY KIT 8", CPL.	2
x	NA	TYRE LOCKING RING 8", OUTSIDE	1
y	NA	TYRE LOCKING RING 8", INSIDE	1

item	ordercode	description	quantity
z	NA	SOCKET HEAD CAP SCREW M6 X 40	5

Rear Wheels True Track

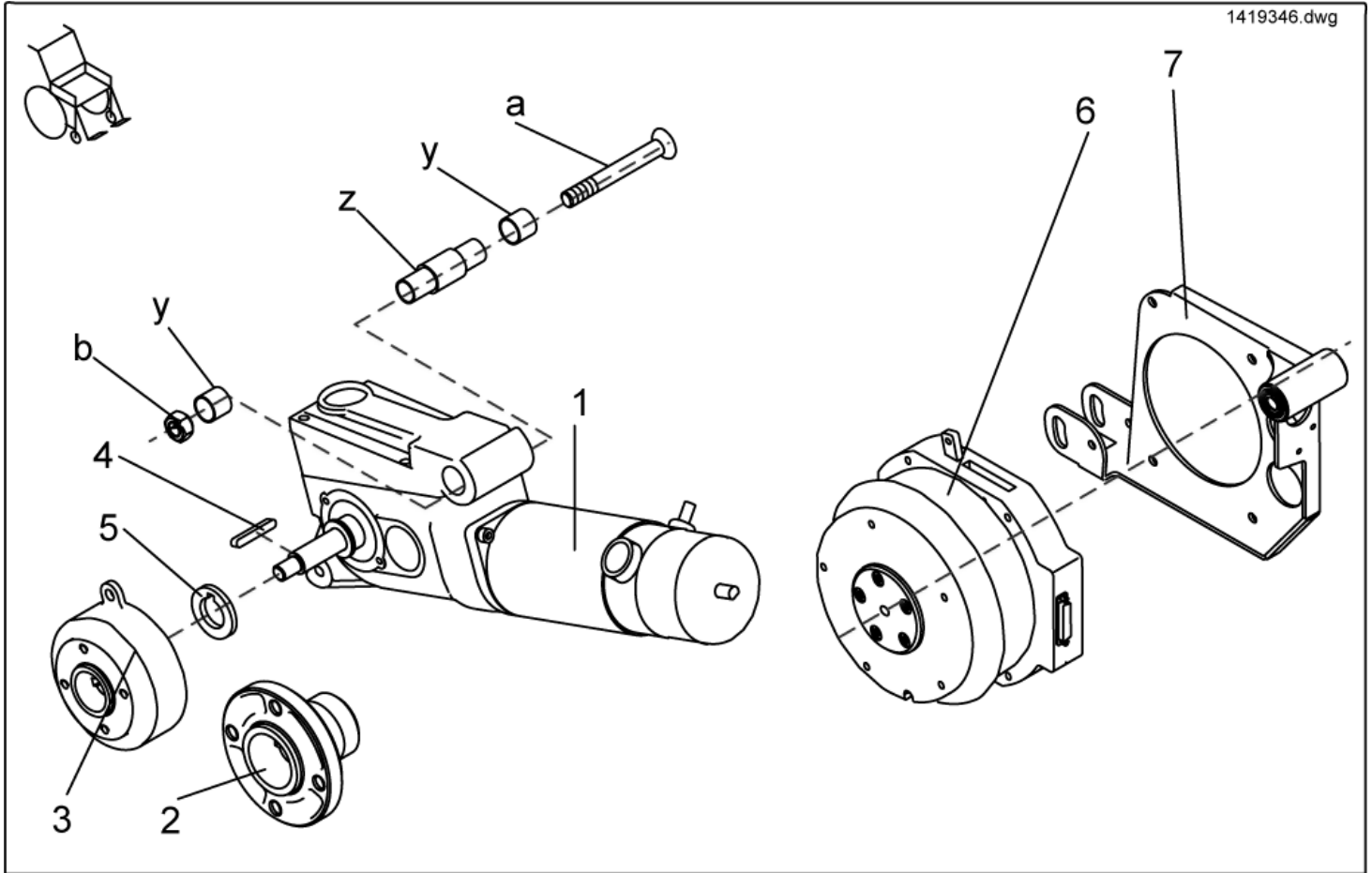
1433537.dwg



item	ordercode	description	quantity
1	M12016	INNER TUBE 3.00-8 WITH VALVE TR 87-90/90	2
2	1415173	COVER 3.00-8", GREY	2
2	1419257	COVER 3.00-8", BLACK	2
2	M11968	TYRE 3.00X8, STOLLE, (TRELLEBORG), GREY	2
3	1429347-0307	REAR WHEEL RIM OUTER	2
4	5829252	WASHER NORD-LOCK 5/16	10

Driving unit

1419346.dwg

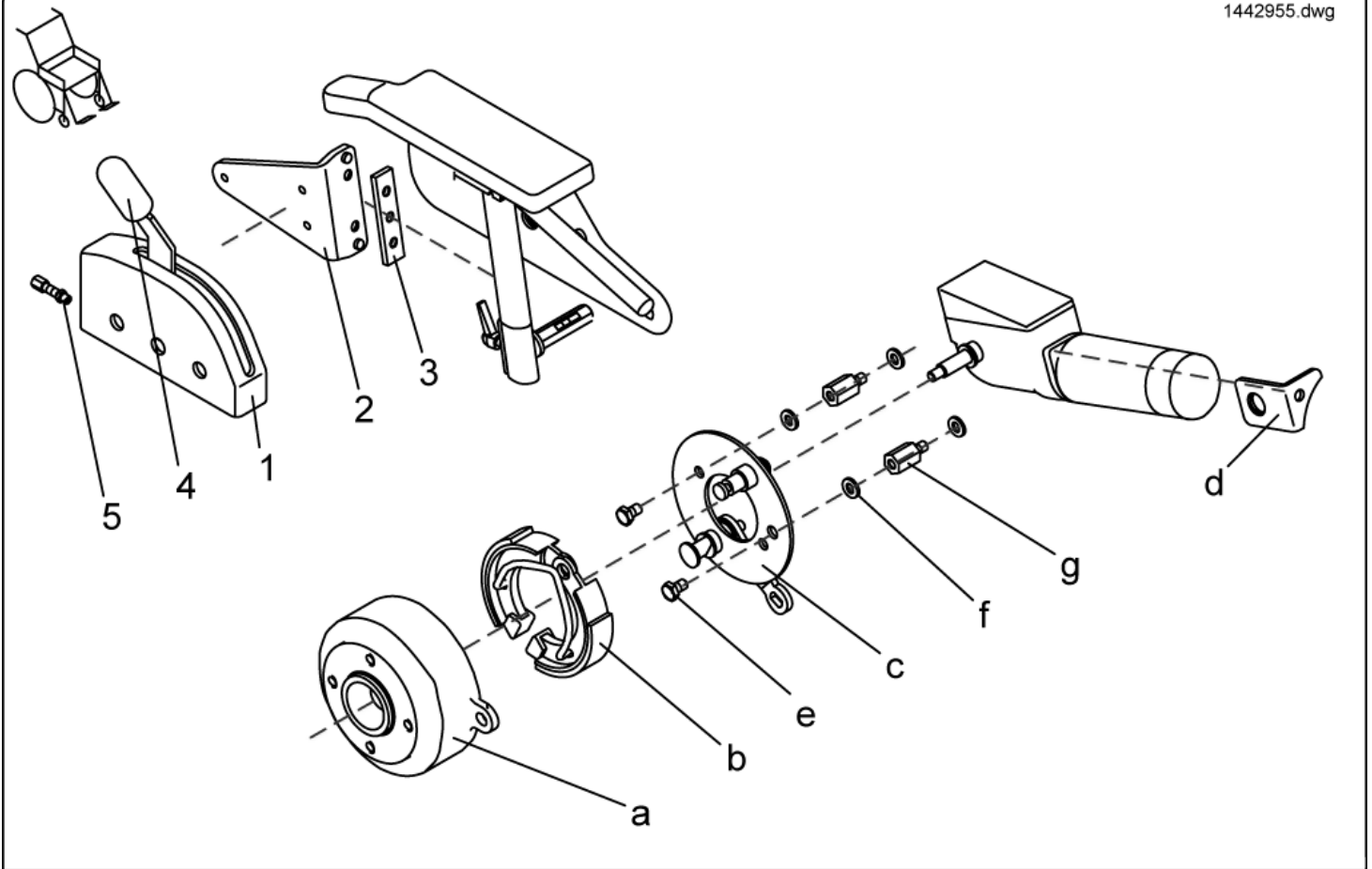


item	ordercode	description	quantity
-	SP1421802	DRIVE UNIT, 6 KM/H LH CPL. (WITH BRAKE)	1
-	SP1421803	DRIVE UNIT, 6 KM/H RH CPL. (WITH BRAKE)	1
-	SP1421804	DRIVE UNIT, 6 KM/H LH CPL. (WITHOUT BRAKE)	1
-	SP1421805	DRIVE UNIT, 6 KM/H RH CPL. (WITHOUT BRAKE)	1
-	SP1421806	DRIVE UNIT, 10 KM/H LH CPL. (WITH BRAKE)	1
-	SP1421807	DRIVE UNIT, 10 KM/H RH CPL. (WITH BRAKE)	1
-	SP1421808	DRIVE UNIT, 10 KM/H LH CPL. (WITHOUT BRAKE)	1
-	SP1421809	DRIVE UNIT, 10 KM/H RH CPL. (WITHOUT BRAKE)	1
-	SP1421810	DRIVE UNIT, 12 KM/H LH CPL. (WITH BRAKE)	1
-	SP1421811	DRIVE UNIT, 12 KM/H RH CPL. (WITH BRAKE)	1
-	SP1421812	DRIVE UNIT, 12 KM/H LH CPL. (WITHOUT BRAKE)	1
-	SP1421813	DRIVE UNIT, 12 KM/H RH CPL. (WITHOUT BRAKE)	1
1	1422899	DRIVE UNIT 6 KM/H LH	1
1	1422898	DRIVE UNIT 6 KM/H RH	1
1	1422901	DRIVE UNIT 10 KM/H LH	1
1	1422900	DRIVE UNIT 10 KM/H RH	1
1	1422903	DRIVE UNIT 12 KM/H LH	1
1	1422902	DRIVE UNIT 12 KM/H RH	1
2	1415172	WHEEL HUB STD.	1
3	1415171	WHEEL HUB FOR BRAKE	1
4	N23004	WOODRUFF KEY A 6 X 6 X 40	2
5	1423164-0002	WASHER 19 MM WITH CUTOUT FOR FEATHER KEY	1
a+b	SP1423186	DRIVE UNIT ASSEMBLY KIT, CPL.	2
a	NA	SCREW M12 X 100, DIN 7991	1
b	NA	NUT M12	1
y+z	SP1421761	SHAFT	2
y	NA	SINTERED METAL BUSH	2

item	ordercode	description	quantity
z	NA	SHAFT	1
-	Z131034	Magnet brake, for drive unit left P01062/4 (from SCHMID)	1
-	Z131035	Magnet brake, for drive unit right P01061/3 (from SCHMID)	1
-	0511-5016	CLUTCH SPARE PART KIT (SCHMID + RELIANCE)	2
-	SP1423439	CARBON BRUSH SET (SCHMID)	2
-	F351007	ACS MOTOR PLUG CPL.	2
6	SP1433561	MOTOR GEARLESS LH	1
6	SP1433562	MOTOR GEARLESS RH	1
7	SP1422840	CRANK LH CPL.	1
7	SP1428930	CRANK RH CPL.	1

Brake

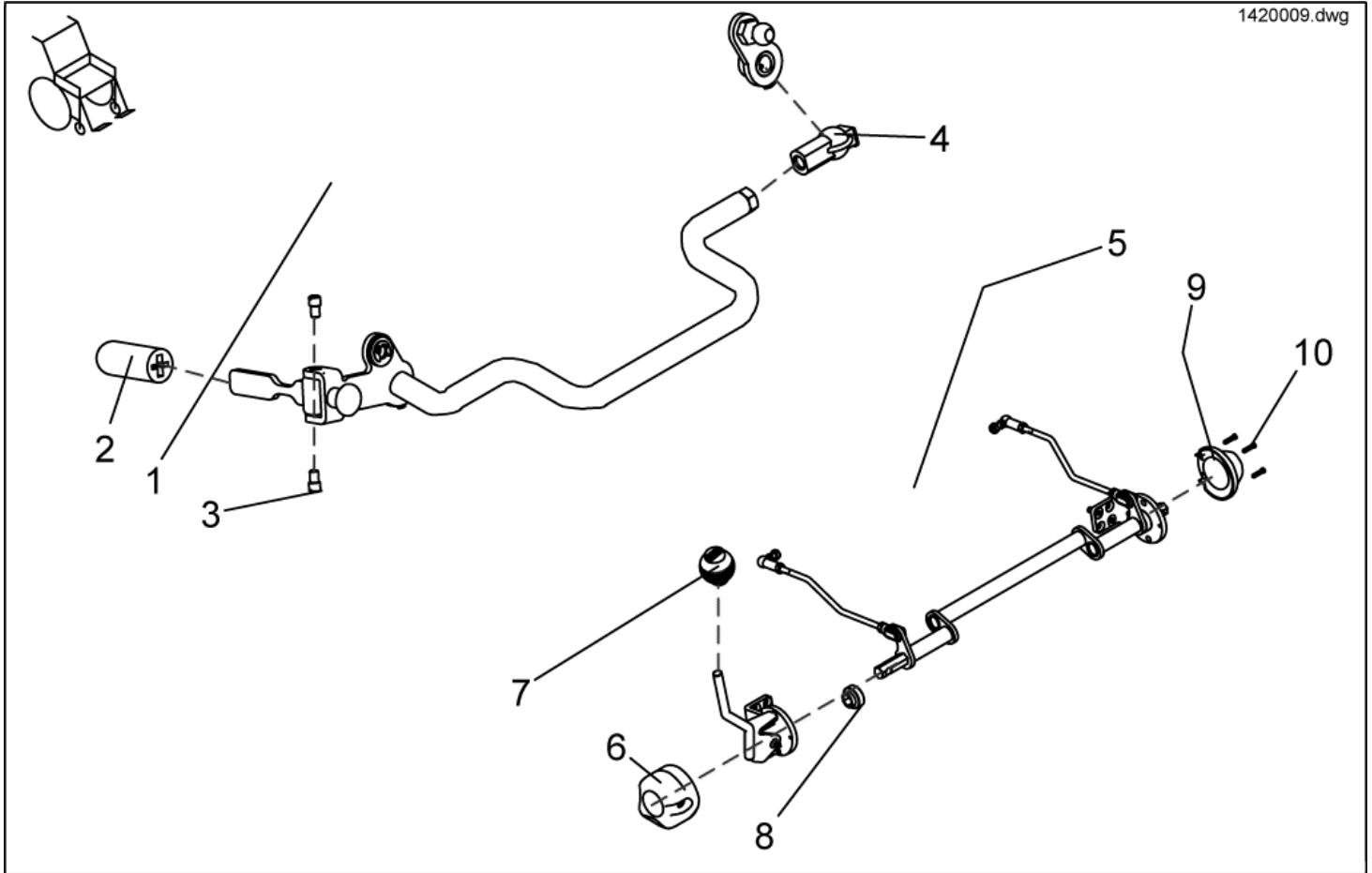
1442955.dwg



item	ordercode	description	quantity
-	SPF331028	BRAKE ASSY LH	1
-	SPF331038	BRAKE ASSY RH	1
-	SP1423473	BOWDEN CABLE SET CPL.	1
1	F331022	BRAKE BOX COVER; GREY	1
2	1428075-9005	BRAKE BOX HOLDER LH	1
2	1428076-9005	BRAKE BOX HOLDER RH	1
3	1421720-0002	GROVE PLATE	1
4	5007791	KNOB; BLACK	1
5	M30050	ADJUSTING SCREW M6 X 24; ZINC PLATED	4
a-g	1442955	Kit WHEEL BRAKE LH, CPL.	1
a-g	1442956	Kit WHEEL BRAKE RH, CPL.	1
a	1415171	WHEEL HUB FOR BRAKE	1
b	M30985	BRAKE SHOE 90X18 (ANELLI)	1
c	SP1415066	PRE-ASSEMBLED BRAKE BACKING PLATE RH	1
c	SP1415067	PRE-ASSEMBLED BRAKE BACKING PLATE LH	1
d	1421653-0003	HOLDER-UP LH	1
d	1421654-0003	HOLDER-UP RH	1
e	NA	HEX HEAD SCREW M6 X 10	2
f	NA	WASHER 6,4 X 12,5 X 1,6	4
g	NA	HEXAGON SPACER	2

Decoupling

1420009.dwg



item	ordercode	description	quantity
1	1420009	DECOUPLING MECHANISM, CPL.	1
2	5007791	KNOB; BLACK	1
3	1420014	SHANK SCREW	2
4	5816488	BALL SEAT	1
5	SP1431810	DISENGAGER TRUE TRACK CPL.	1
6	1430163	CAP 1 FOR CLUTCH MECHANISM	1
7	1430147	HANDLE KNOB	1
8	1430406	BUSHING	2
9	1430164	CAP 2 FOR CLUTCH MECHANISM	1
10	H90993	CLIP 3,0 MM	3