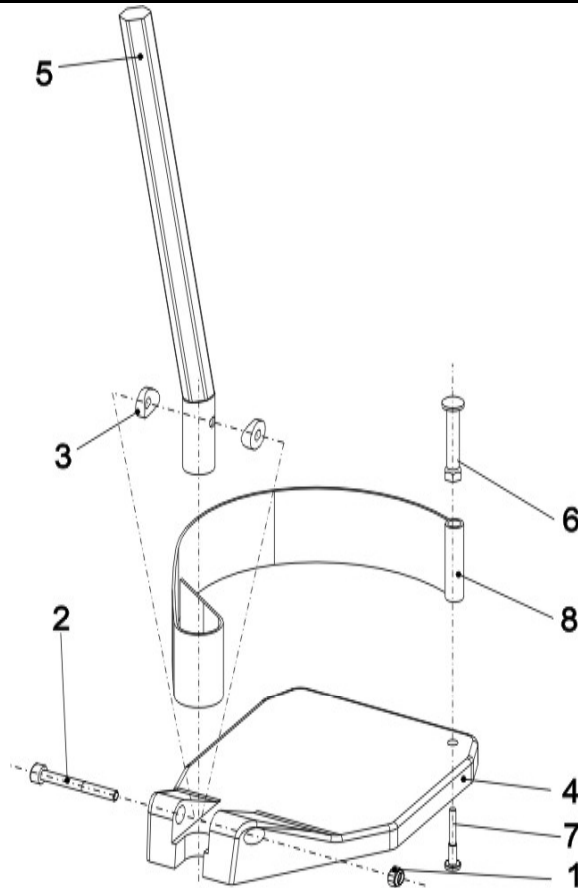


Customer :  
 Customer No. :  
 Phone :

Contact :  
 Commission :  
**Serial No. :**



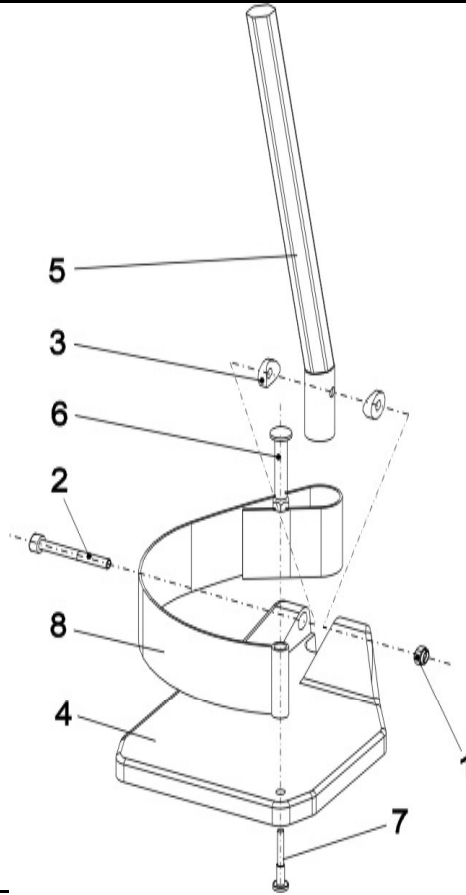
Item	Qty	Part-No.	Part-Designation
-	1	SP1421662	<b>LOWER FOOTREST RH, CPL.</b>
1	1		NYLOC NUT M6
2	1		SOCKET HEAD CAP SCREW M6 X 50
3	2		ROUND CAP TYPE B
4	1	Z173217	FOOTPLATE RH; BLACK
5	1		FOOT PLATE TUBE
-	1	SP1423202	<b>HEEL STRAP CPL.</b>
6	1		FIXING FOR HEEL STRAP
7	1		HEADLESS SCREW
8	1		HEEL STRAP

**Storm 3**



Customer :  
 Customer No. :  
 Phone :

Contact :  
 Commission :  
**Serial No. :**



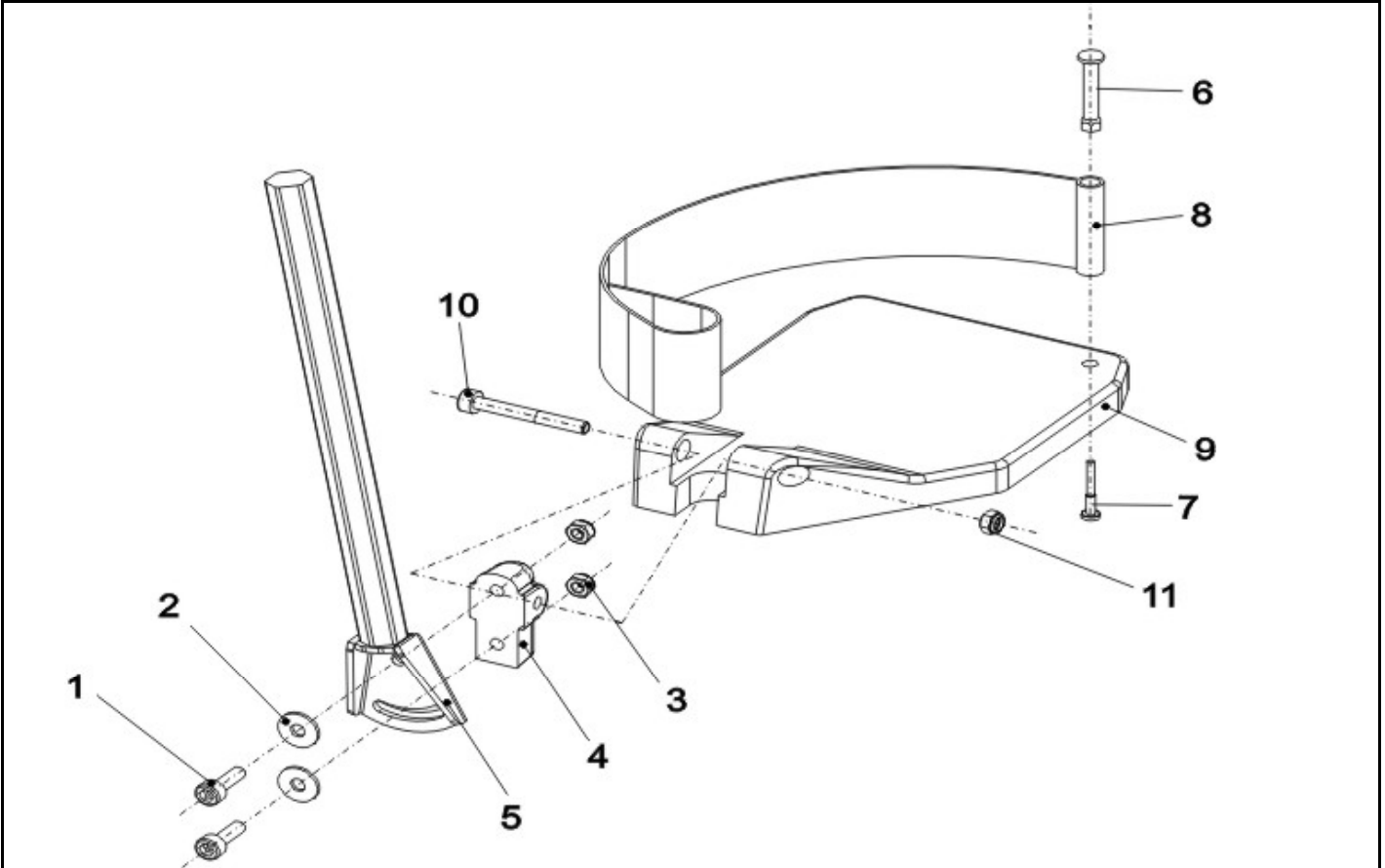
<b>Item</b>	<b>Qty</b>	<b>Part-No.</b>	<b>Part-Designation</b>
-	1	SP1421663	<b>LOWER FOOTREST LH, CPL.</b>
1	1		NYLOC NUT M6
2	1		SOCKET HEAD CAP SCREW M6 X 50
3	2		ROUND CAP TYPE B
4	1	Z173218	FOOTPLATE LE; BLACK
5	1		FOOT PLATE TUBE
-	1	SP1423202	<b>HEEL STRAP CPL.</b>
6	1		FIXING FOR HEEL STRAP
7	1		HEADLESS SCREW
8	1		HEEL STRAP

**Storm 3**



Customer :  
 Customer No. :  
 Phone :

Contact :  
 Commission :  
**Serial No. :**



<b>Item</b>	<b>Qty</b>	<b>Part-No.</b>	<b>Part-Designation</b>
-	1	SP1421664	<b>LOWER FOOTREST, ANGLE ADJUSTMENT RH CPL.</b>
-	1	SP1423203	<b>FOOT PLATE TUBE, ANGLE ADJUSTMENT RH CPL.</b>
1	2		SOCKET HEAD CAP SCREW M6 X 20
2	2		WASHER 6.4 DIN 9021
3	2		HEX NUT M6
4	1		FOOTPLATE MOUNT
5	1		FOOT PLATE TUBE HEIGHT ADJUSTMENT RH
10	1		SOCKET HEAD CAP SCREW M6 X 50
11	1		NYLOC NUT M6
9	1	Z173217	FOOTPLATE RH; BLACK
-	1	SP1423202	<b>HEEL STRAP CPL.</b>
6	1		FIXING FOR HEEL STRAP
7	1		HEADLESS SCREW
8	1		HEEL STRAP

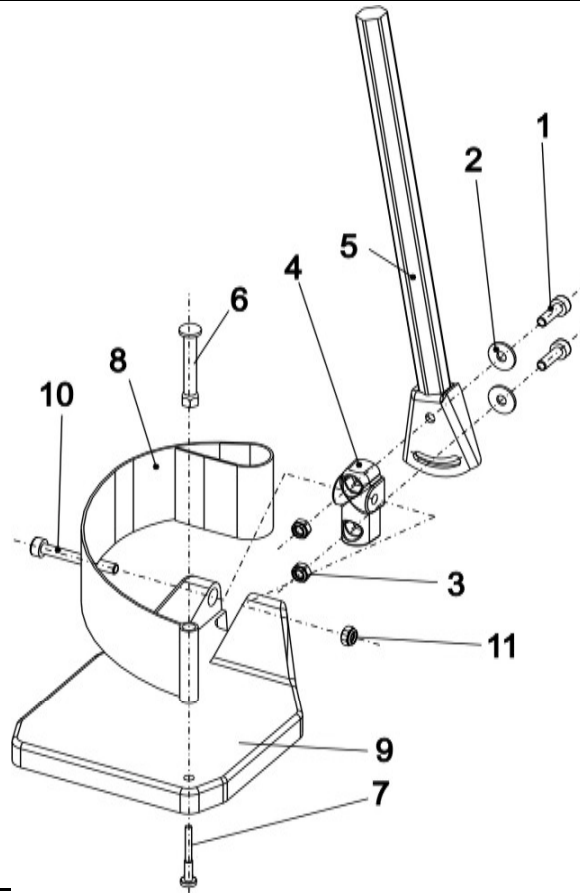
**Storm 3**



Release  
 07 / 2004  
 Chapter 8  
 Sheet 17

Customer :  
 Customer No. :  
 Phone :

Contact :  
 Commission :  
**Serial No. :**



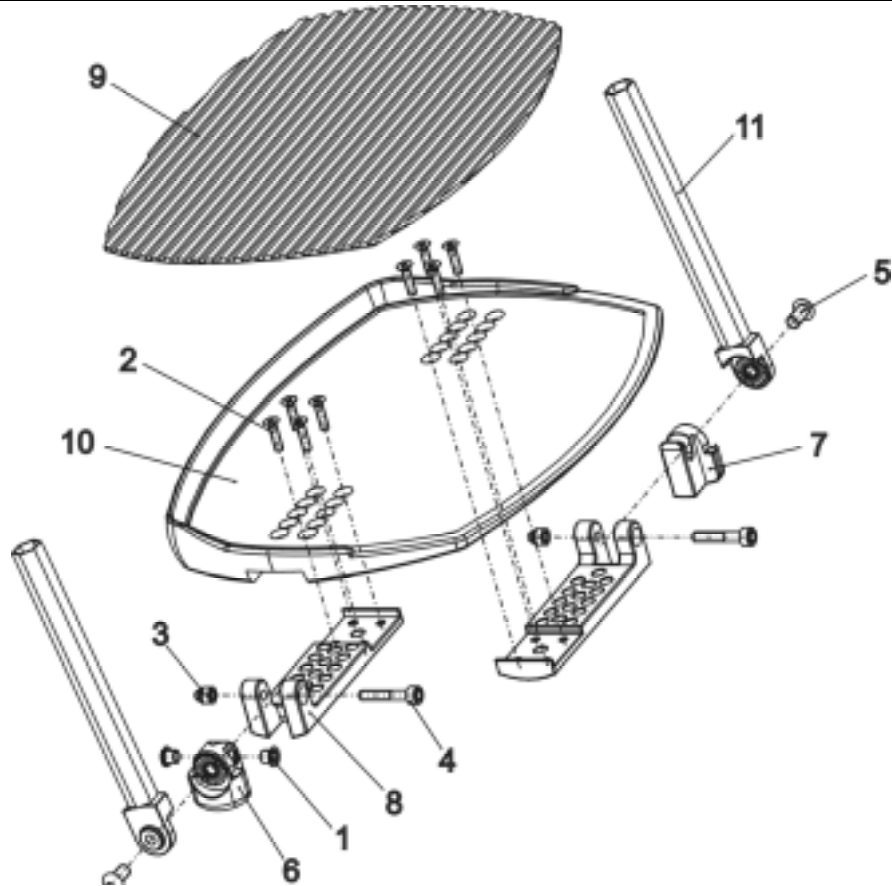
<b>Item</b>	<b>Qty</b>	<b>Part-No.</b>	<b>Part-Designation</b>
-	1	SP1421665	<b>LOWER FOOTREST, ANGLE ADJUSTMENT LH CPL.</b>
-	1	SP1423204	<b>FOOT PLATE TUBE, ANGLE ADJUSTMENT LH CPL.</b>
1	2		SOCKET HEAD CAP SCREW M6 X 20
2	2		WASHER 6.4 DIN 9021
3	2		HEX NUT M6
4	1		FOOTPLATE MOUNT
5	1		FOOT PLATE TUBE ANGLE ADJUSTMENT LH
10	1		SOCKET HEAD CAP SCREW M6 X 50
11	1		NYLOC NUT M6
9	1	Z173218	FOOTPLATE LE; BLACK
-	1	SP1423202	<b>HEEL STRAP CPL.</b>
6	1		FIXING FOR HEEL STRAP
7	1		HEADLESS SCREW
8	1		HEEL STRAP

**Storm 3**



Customer :  
 Customer No. :  
 Phone :

Contact :  
 Commission :  
**Serial No. :**



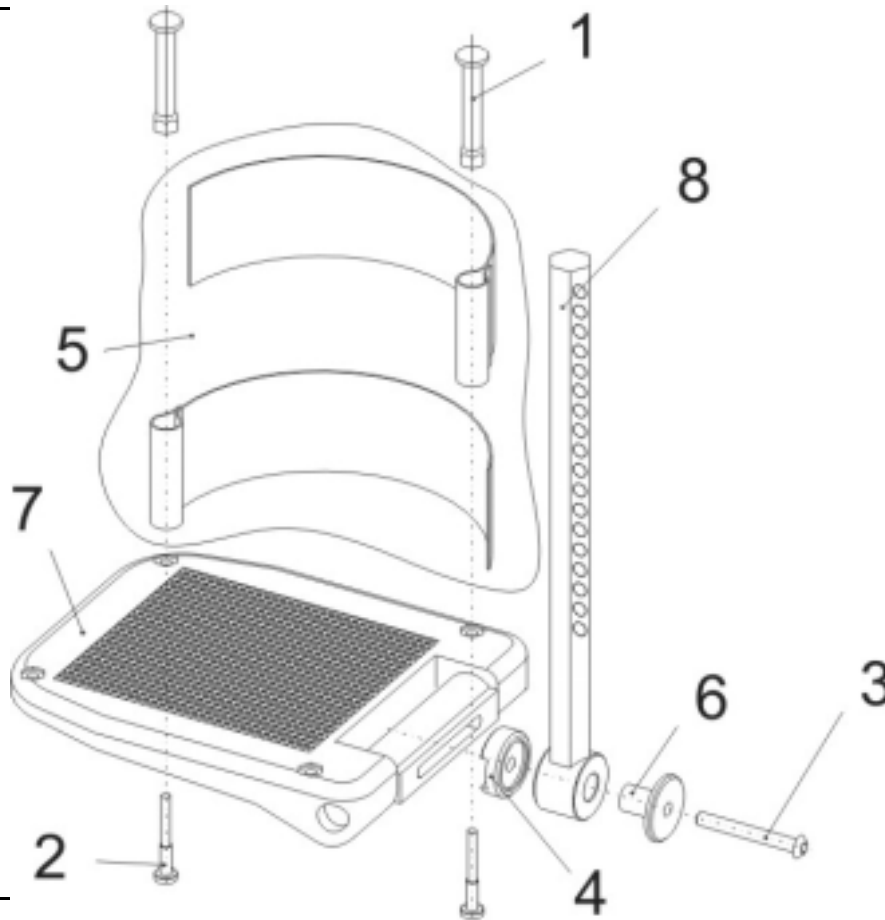
<b>Item</b>	<b>Qty</b>	<b>Part-No.</b>	<b>Part-Designation</b>
-	1	<b>SP1423156</b>	<b>PRE-ASSEMBLED FOOT BOARD</b>
6	1		FOOTPLATESUPPORT LH
7	1		FOOTPLATESUPPORT RH
8	2		FOOTPLATESUPPORT
9	1	Z174159	FOOTPLATERUBBER
10	1		FOOTPLATE (ALUMINIUM)
11	2		INSERTTUBE
-	1	<b>SP1423444</b>	<b>FOOT BOARD MOUNTING KIT</b>
1	2		BUSH BB 0608 DU
2	8		COUNTERSUNK CROSS HEAD SCREW M5 X 20
3	2		DOMED NYLOC NUT M6, SELF-LOCKING
4	2		SOCKET HEAD CAP SCREW M6 X 35
5	2		FLAT SOCKET HEAD SCREW M8 X 16 ULS A2

**Storm 3**



Customer :  
 Customer No. :  
 Phone :

Contact :  
 Commission :  
 Serial No. :



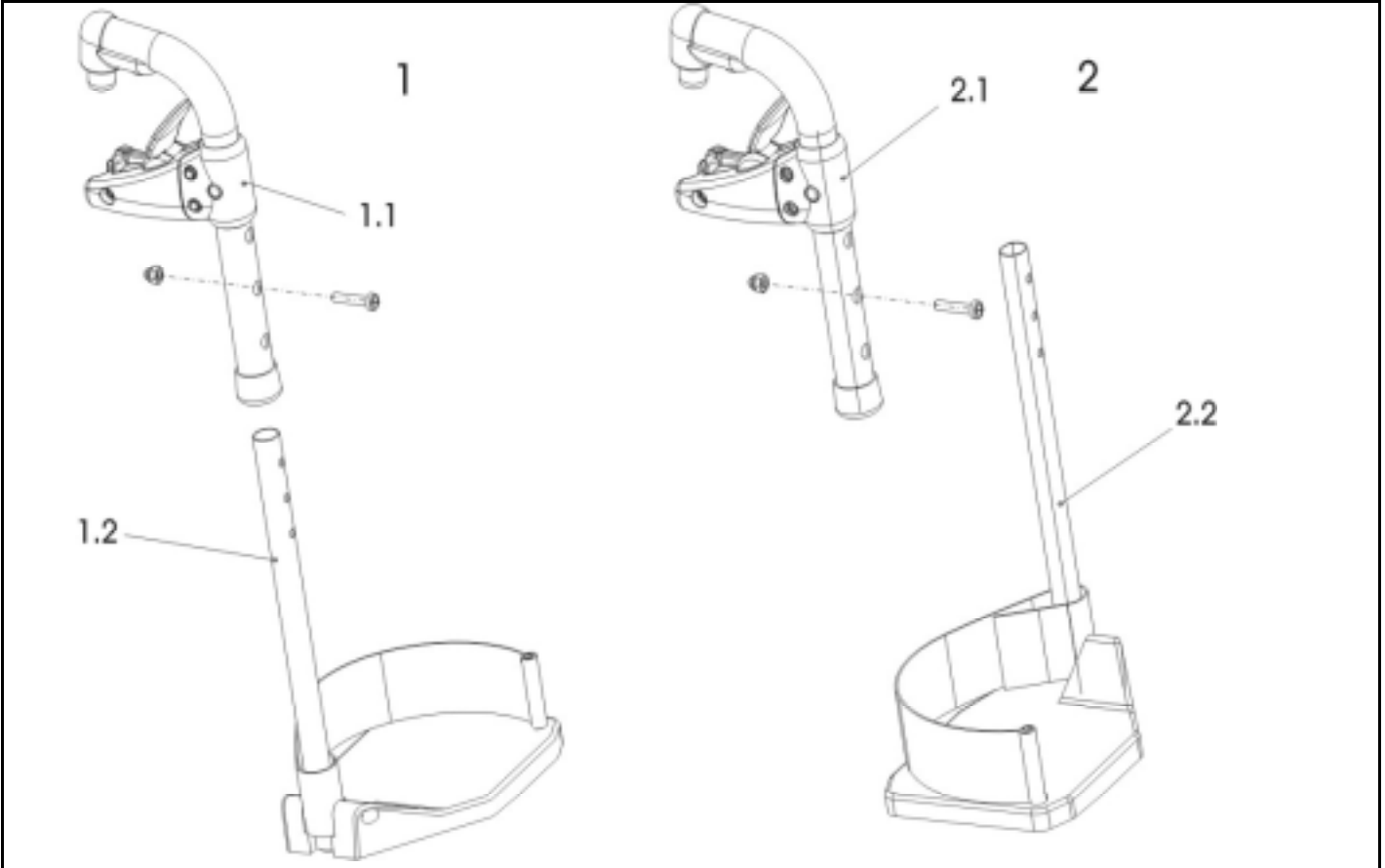
Item	Qty	Part-No.	Part-Designation
-	1	SP1419344	FOOT PLATE LH ANGLE AND DEPTH ADJUSTMENT CPL.
-	1	SP1419345	FOOT PLATE RH ANGLE AND DEPTH ADJUSTMENT CPL.
1	2		FIXING FOR HEEL STRAP
2	2		HEADLESS SCREW
3	1		DIN 7380 M6x50 10.9 I-6Kt CHEESE HEAD SCREW
4	1		SERRATED WASHER
5	1	5321579	HEEL STRAP CPL.
6	1		SOCKET
7	1	5106376	FOOTPLATE ADAPT / SPIREA ANGLE ADJ.
8	1		HEX INSERT CPL. LH, CHROMED
8	1		HEX INSERT CPL. RH, CHROMED

**Storm 3**



Customer :  
 Customer No. :  
 Phone :

Contact :  
 Commission :  
**Serial No. :**



<b>Item</b>	<b>Qty</b>	<b>Part-No.</b>	<b>Part-Designation</b>
-	<b>1</b>	<b>1430117</b>	<b>LEGRESTS "STORM 3 EURO" CPL. (PAIR)</b>
1	1	1430115	LEGRESTS "STORM 3 EURO" RH CPL.
1.1	1	B273002.P92	HANGER STD. 80 RH CPL.; RAL 0307
1.2	1	B273009	FOOTREST CPL. STD. 80 RH
2	1	1430116	LEGRESTS "STORM 3 EURO" LH CPL.
2.1	1	B273003.P92	HANGER STD. 80 LH CPL.; RAL 0307
2.2	1	B273010	FOOTREST CPL. STD. 80 LH

**Storm 3**

