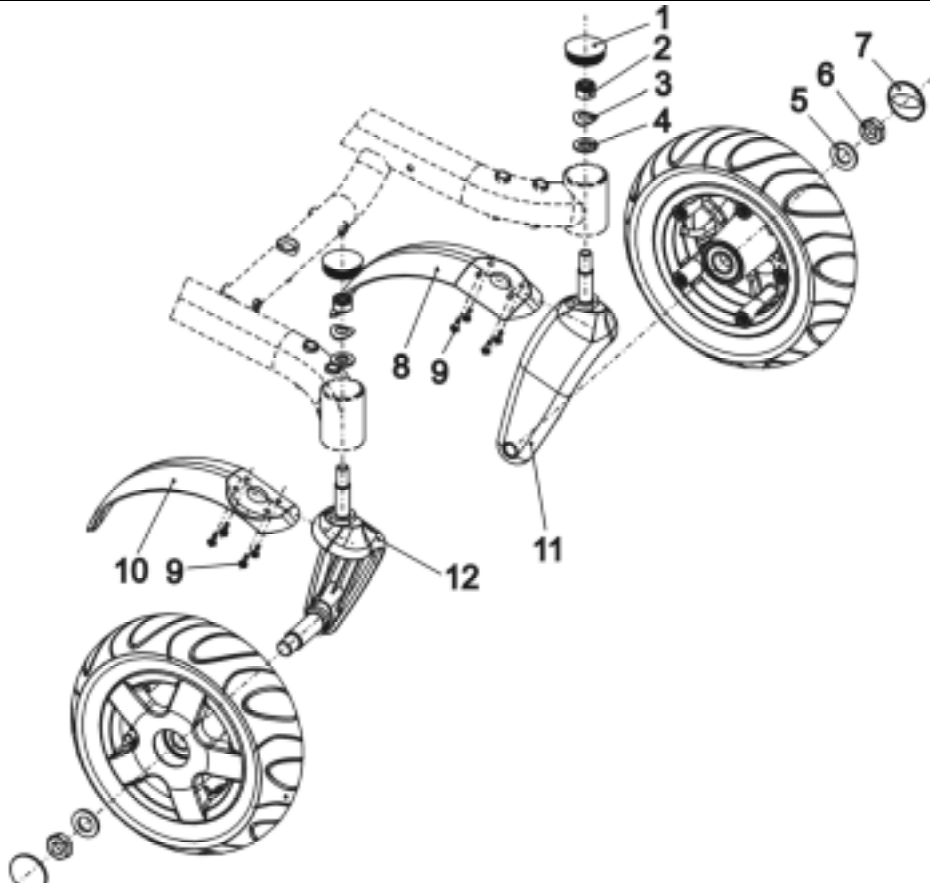


Customer :
 Customer No. :
 Phone :

Contact :
 Commission :
 Serial No. :



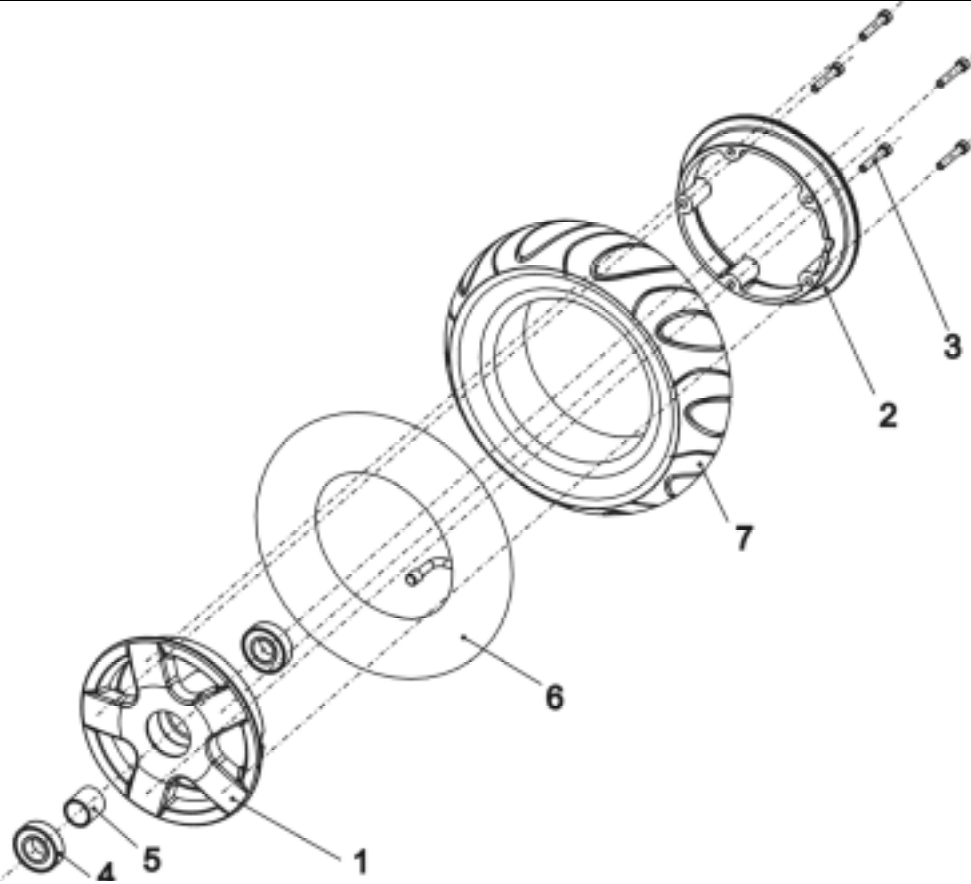
Item	Qty	Part-No.	Part-Designation	
-	1		FRONT WHEEL SUSPENSION, CPL.	
-	1	SP1423178	FRONT WHEEL FORK ASSEMBLY KIT	
1	1		SLIDER SL 42	
2	1		NYLOC NUT M12 X 1,5	
3	1		SPRING WASHER 24 X 13 X 1,2 PROFILE A, DIN-137; GALV...	
4	1		WASHER 13 X 24 X 2,5	
5	1		WASHER 17 X 30 X 3	
6	1		NUT M16 X 1.5 ISO 4035	
7	1		CAP WITH "INVACARE" LOGO	
-	1	SP1423179	SPLASH GUARD ASSEMBLY KIT LH	
8	1		SPLASH GUARD LH	
9	4		SCREW M5 X 10	-> 7/02
	4		SCREW M5 X 10	7/02 ->
	4		WASHER 5,3 X 10 X 1	7/02 ->
-	1	SP1423180	SPLASH GUARD ASSEMBLY KIT RH	
10	1		SPLASH GUARD RH	
9	4		SCREW M5 X 10	-> 07/02
	4		SCREW M5 X 10	7/02 ->
	4		WASHER 5,3 X 10 X 1	7/02 ->
11	1	SP1422771	WHEEL FORK LH	
12	1	SP1422772	WHEEL FORK RH	

Storm 3



Customer :
 Customer No. :
 Phone :

Contact :
 Commission :
Serial No. :



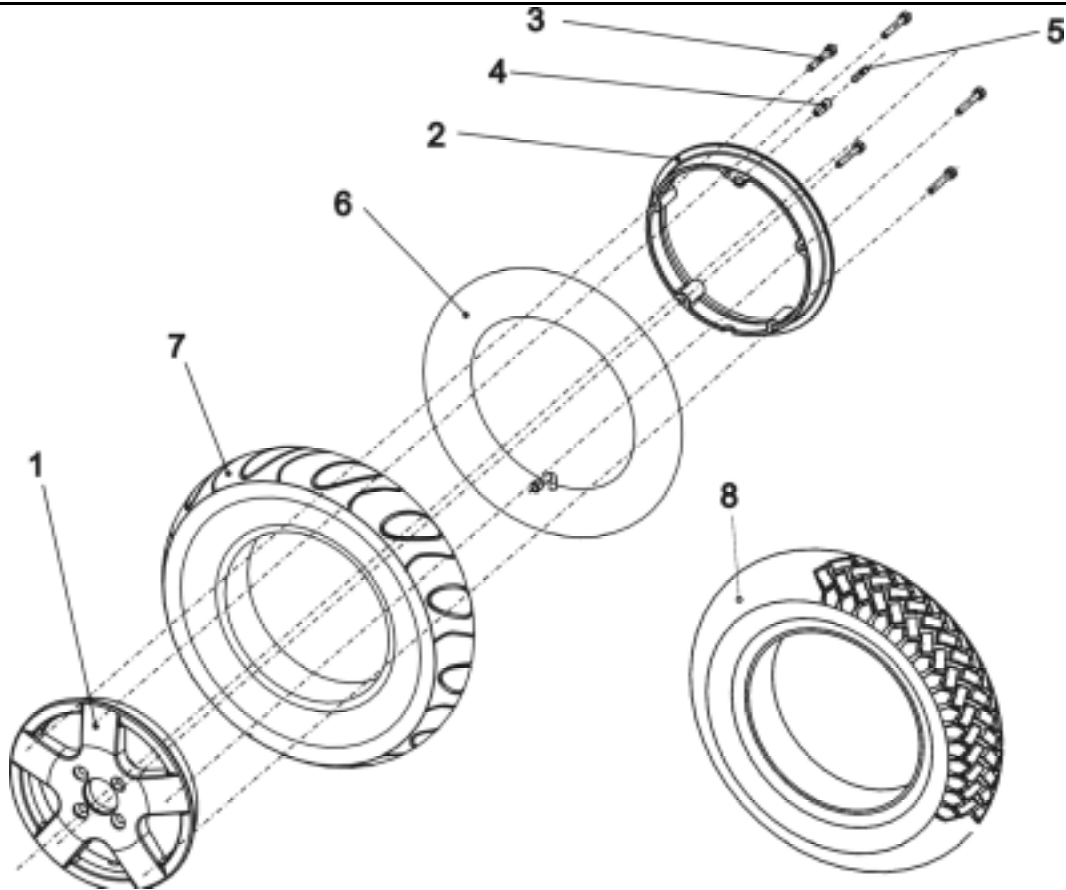
Item	Qty	Part-No.	Part-Designation
-	2	SP1418531	WHEEL 3.00-6" AIR, GREY, CPL.
-	2	SP1419256	WHEEL 3.00-6" AIR, BLACK, CPL.
-	2	SP1422932	WHEEL 3.00-6" PUNCTURE-PROTECTED, GREY, CPL.
-	2	SP1422933	WHEEL 3.00-6" PUNCTURE-PROTECTED; BLACK, CPL.
-	2	SP1430231	WHEEL 3.00-6 PUNCTURE-PROOF SOLID INLAY GREY CPL.
-	2	SP1430232	WHEEL 3.00-6 PUNCTURE-PROOF SOLID INLAY BLACK CPL.
-	1	SP1423181	WHEEL RIM ASSEMBLY KIT 6", CPL.
1	1		TYRE LOCKING RING 6", OUTSIDE
2	1		TYRE LOCKING RING 6", INSIDE
3	5		SOCKET HEAD CAP SCREW M6 X 35
-	1	SP1423182	WHEEL RIM BEARING SET 6", CPL.
4	2		DEEP GROVE BALL BEARING 6004-2RS
5	1		SPACER BUSH
6	1	1415175	TUBE 3.00 X 6 90 ° TR 87
7	1	1418532	COVER 3.00-6", GREY
7	1	1419226	COVER 3.00-6", BLACK
7	1	1430229	OUTER TYRE 3.00-6 GREY PUNCTURE-PROOF SOLID INLAY
7	1	1430230	OUTER TYRE 3.00-6 BLACK PUNCTURE-PROOF SOLID INLAY

Storm 3



Customer :
 Customer No. :
 Phone :

Contact :
 Commission :
 Serial No. :



Item	Qty	Part-No.	Part-Designation
-	2	SP1418534	WHEEL 3.00-8" AIR, GREY, CPL.
-	2	SP1419258	WHEEL 3.00-8" AIR, BLACK, CPL.
-	2	SP1421801	WHEEL 3.00-8" TRELLEBORG, GREY, CPL.
-	2	SP1421829	WHEEL 3.00-8" PUNCTURE-PROTECTED, GREY, CPL.
-	2	SP1421831	WHEEL 3.00-8" PUNCTURE-PROTECTED, BLACK, CPL.
-	2	SP1421833	WHEEL 3.00-8" TRELLEBORG PUNCTURE-PROTECTED, GREY, CPL...
-	2	SP1430220	WHEEL 3.00-8 PUNCTURE-PROOF SOLID INLAY GREY CPL.
-	2	SP1430221	WHEEL 3.00-8 PUNCTURE-PROOF SOLID INLAY BLACK CPL.
-	1	SP1423184	WHEEL RIM ASSEMBLY KIT 8", CPL.
1	1		TYRE LOCKING RING 8", OUTSIDE
2	1		TYRE LOCKING RING 8", INSIDE
3	5		SOCKET HEAD CAP SCREW M6 X 40
-	1	SP1423185	SPEEDOMETER DRIVE GEAR ASSEMBLY KIT, CPL.
4	1		MAGNETIC RUBBER
5	1		MAGNET, ROUND 6 X 25
6	1	M12016	INNER TUBE 3.00-8 WITH VALVE TR 87-90/90
7	1	1415173	COVER 3.00-8", GREY
7	1	1419257	COVER 3.00-8", BLACK
7	1	1430215	OUTER TYRE 3.00-8 GREY PUNCTURE-PROOF SOLID INLAY
7	1	1430217	OUTER TYRE 3.00-8 BLACK PUNCTURE-PROOF SOLID INLAY
8	1	M11968	TYRE 3.00X8", STOLLE, (TRELLEBORG), GREY

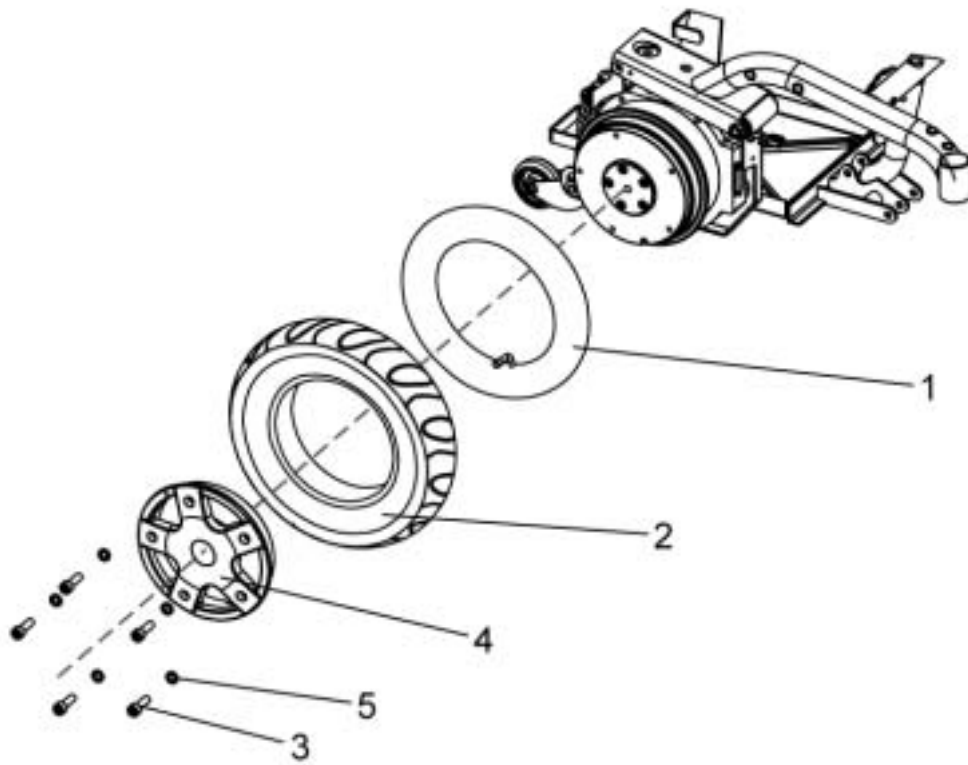
Storm 3



Customer :
 Customer No. :
 Phone :

Contact :
 Commission :
Serial No. :

1433537.dwg



Item	Qty	Part-No.	Part-Designation
-	-		ONLY FOR STORM³ TRUE TRACK
-	1		REAR WHEEL FOR GEARLESS MOTORS
1	1	M12016	INNER TUBE 3.00-8 WITH VALVE TR 87-90/90
2	1	1415173	COVER 3.00-8", GREY
2	1	1419257	COVER 3.00-8", BLACK
2	1	M11968	TYRE 3.00X8", STOLLE, (TRELLEBORG), GREY
3	5		SCREW M8 X 25
4	1	1429347-0307	REAR WHEEL RIM OUTER
5	5	5829252	WASHER NORD-LOCK 5/16"

Storm 3



Release
 07 / 2004
 Chapter 3
 Sheet 4