



# Aquatec® Ocean Ergo / Ocean Ergo XL / Aquatec® Ocean 24" Ergo / Ocean 24" Ergo XL

en	Shower and Toilet Chair User Manual .....	3
de	Dusch- und Toilettenstuhl Gebrauchsanweisung.....	31
fr	Chaise roulante pour douche/toilettes Manuel d'utilisation.....	63
it	Sedia da doccia e da toilette Manuale d'uso.....	97
es	Silla de ducha e inodoro Manual del usuario .....	129
pt	Cadeira de duche e sanita Manual de utilização.....	161
nl	Douche- en toiletstoel Gebruiksaanwijzing .....	191

This manual **MUST** be given to the user of the product.  
**BEFORE** using this product, this manual **MUST** be read and saved for future reference.

**AQUATEC®**



**Yes, you can.®**

© 2022 Invacare Corporation

All rights reserved. Republication, duplication or modification in whole or in part is prohibited without prior written permission from Invacare. Trademarks are identified by ™ and ®. All trademarks are owned by or licensed to Invacare Corporation or its subsidiaries unless otherwise noted.

Alle Rechte vorbehalten. Die Weiterveröffentlichung, Vervielfältigung oder Änderung im Ganzen oder in Teilen ohne vorherige schriftliche Genehmigung von Invacare ist untersagt. Marken sind durch ™ und ® gekennzeichnet. Soweit nicht anders angegeben sind alle Marken Eigentum der Invacare Corporation bzw. derer Tochtergesellschaften oder werden von diesen in Lizenz genutzt.

Tous droits réservés. La republication, la duplication ou la modification de tout ou partie du présent document est interdite sans l'accord écrit préalable d'Invacare. Les marques commerciales sont identifiées par ™ et ®. Toutes les marques commerciales sont détenues par ou cédées sous licence à Invacare Corporation ou ses filiales, sauf stipulation contraire.

Tutti i diritti riservati. È proibita la riproduzione, la duplicazione o la modifica parziale o completa, salvo previa autorizzazione scritta da parte di Invacare. I marchi sono contrassegnati da ™ e ®. Tutti i marchi sono di proprietà o licenza di Invacare Corporation o di sue affiliate, salvo indicazione contraria.

Todos los derechos reservados. Queda prohibido volver a publicar, copiar o modificar el presente documento, en parte o por completo, sin el previo consentimiento por escrito de Invacare. Las marcas comerciales se identifican con ™ y ®. Todas las marcas comerciales son propiedad de Invacare Corporation o de sus filiales, o bien Invacare Corporation o sus filiales cuentan con las correspondientes licencias, a menos que se estipule lo contrario.

Todos os direitos reservados. A republicação, duplicação ou modificação total ou parcial está interdita sem a autorização prévia por escrito da Invacare. As marcas comerciais são identificadas pelos símbolos ™ e ®. Todas as marcas comerciais são propriedade da ou estão licenciadas à Invacare Corporation ou às suas subsidiárias, exceto quando apresentada informação em contrário.

Alle rechten voorbehouden. Herpublicatie, duplicatie of gehele of gedeeltelijke wijziging is verboden zonder voorafgaande schriftelijke toestemming van Invacare. Handelsmerken zijn te herkennen aan ™ en ®. Alle handelsmerken zijn eigendom van of gelicentieerd aan Invacare Corporation of haar dochterondernemingen, tenzij anders aangegeven.

Visas tiesības aizsargātas. Pilnīga vai daļēja pārpublicēšana, dublēšana vai modificēšana bez iepriekšējas rakstiskas “Invacare” atļaujas ir aizliegta. Preču zīmes ir apzīmētas ar ™ un ®. Visas preču zīmes pieder vai ir licencētas uzņēmumam “Invacare Corporation” vai tā meitasuzņēmumiem, ja nav norādīts citādi.

---

# Contents

---

This manual MUST be given to the user of the product.  
BEFORE using this product, this manual MUST be read and saved  
for future reference.

<b>1 General</b> . . . . .	<b>4</b>
1.1 Introduction . . . . .	4
1.2 Symbols in this Document . . . . .	4
1.3 Warranty Information . . . . .	5
1.4 Compliance . . . . .	5
1.4.1 Product-specific Standards . . . . .	5
1.5 Service Life . . . . .	5
<b>2 Safety</b> . . . . .	<b>6</b>
2.1 Safety Information . . . . .	6
2.2 Labels and Symbols on the Product . . . . .	7
<b>3 Product Overview</b> . . . . .	<b>9</b>
3.1 Intended Use . . . . .	9
3.2 Main Parts of the Product . . . . .	9
<b>4 Setup</b> . . . . .	<b>11</b>
4.1 Safety Information . . . . .	11
4.2 Assembling the Product . . . . .	11
4.2.1 Installing the Seat Frame Tube for Height Adjustment . . . . .	11
4.2.2 Installing the Backrest . . . . .	14
4.2.3 Installing and Removing the Seat Plate . . . . .	15
4.2.4 Setting Armrest Height . . . . .	15
4.2.5 Installing the Footrests . . . . .	16
4.3 Assembling Accessories and Options . . . . .	17
4.3.1 Installing/Removing Self-Propelling Wheels . . . . .	17
4.3.2 Fitting/Removing the Toilet Pan Holder and Toilet Pan . . . . .	18
<b>5 Usage</b> . . . . .	<b>19</b>
5.1 Safety Information . . . . .	19

5.2 Turning Armrests . . . . .	20
5.3 Swivelling the Footrests . . . . .	20
5.4 Engaging/Disengaging the Castor Locks . . . . .	21
5.5 Engaging/Disengaging the Parking Brakes . . . . .	21
<b>6 Transport</b> . . . . .	<b>22</b>
6.1 Safety Information . . . . .	22
<b>7 Maintenance</b> . . . . .	<b>23</b>
7.1 Maintenance and Inspection . . . . .	23
7.2 Cleaning and Disinfection . . . . .	23
7.2.1 General Safety Information . . . . .	23
7.2.2 Cleaning Intervals . . . . .	24
7.2.3 Cleaning Instructions . . . . .	24
7.2.4 Disinfection Instructions . . . . .	25
<b>8 After Use</b> . . . . .	<b>26</b>
8.1 Storage . . . . .	26
8.2 Reconditioning . . . . .	26
8.3 Disposal . . . . .	26
<b>9 Troubleshooting</b> . . . . .	<b>27</b>
9.1 Identifying and Repairing Faults . . . . .	27
<b>10 Technical Data</b> . . . . .	<b>28</b>
10.1 Dimensions and Weight . . . . .	28
10.2 Materials . . . . .	30
10.3 Environmental Parameters . . . . .	30

# 1 General

## 1.1 Introduction

This user manual contains important information about the handling of the product. To ensure safety when using the product, read the user manual carefully and follow the safety instructions.

Only use this product if you have read and understood this manual. Seek additional advice from a healthcare professional who is familiar with your medical condition and clarify any questions regarding the correct use and necessary adjustment with the healthcare professional.

Note that there may be sections in this document, which are not relevant to your product, since this document applies to all available models (on the date of printing). If not otherwise stated, each section in this document refers to all models of the product.

The models and configurations available in your country can be found in the country-specific sales documents.

Invacare reserves the right to alter product specifications without further notice.

Before reading this document, make sure you have the latest version. You find the latest version as a PDF on the Invacare website.

If you find that the font size in the printed document is difficult to read, you can download the PDF version from the website. The PDF can then be scaled on screen to a font size that is more comfortable for you.

For more information about the product, for example product safety notices and product recalls, contact your Invacare distributor. See addresses at the end of this document.

In case of a serious incident with the product, you should inform the manufacturer and the competent authority in your country.

## 1.2 Symbols in this Document

Symbols and signal words are used in this document and apply to hazards or unsafe practices which could result in personal injury or property damage. See the information below for definitions of the signal words.



### WARNING

Indicates a hazardous situation that could result in serious injury or death if it is not avoided.



### CAUTION

Indicates a hazardous situation that could result in minor or slight injury if it is not avoided.



### NOTICE

Indicates a hazardous situation that could result in damage to property if it is not avoided.



### Tips and Recommendations

Gives useful tips, recommendations and information for efficient, trouble-free use.

## Other Symbols

(Not applicable for all manuals)



UK Responsible Person

Indicates if a product is not manufactured in the UK.



Triman

Indicates recycling and sorting rules (only relevant for France).

### 1.3 Warranty Information

We provide a manufacturer's warranty for the product in accordance with our General Terms and Conditions of Business in the respective countries.

Warranty claims can only be made through the provider from whom the product was obtained.

### 1.4 Compliance

Quality is fundamental to the company's operation, working within the disciplines of ISO 13485.

This product features the CE mark, in compliance with the Medical Device Regulation 2017/745 Class I.

This product features the UKCA mark, in compliance with Part II UK MDR 2002 (as amended) Class I.

We are continuously working towards ensuring that the company's impact on the environment, locally and globally, is reduced to a minimum.

We only use REACH compliant materials and components.

#### 1.4.1 Product-specific Standards

The product has been tested and conforms to the standard ISO 17966 (Assistive products for personal hygiene that

1639501-F

support users) and related standards. This includes testing concerning flammability. Progressive smouldering ignition and flaming ignition do not occur.

For further information about local standards and regulations, contact your local Invacare representative. See addresses at the end of this document.

### 1.5 Service Life

The expected service life of this product is five years when used daily and in accordance with the safety instructions, maintenance intervals and correct use, stated in this manual. The effective service life can vary according to frequency and intensity of use.

## 2 Safety

### 2.1 Safety Information



**WARNING!**

**Risk of Serious Injury or Damage**

Improper use of this product may cause injury or damage.

- If you are unable to understand the warnings, cautions or instructions, contact a health care professional or provider before attempting to use this equipment.
- Do not use this product or any available optional equipment without first completely reading and understanding these instructions and any additional instructional material such as user manual, service manual or instruction sheet supplied with this product or optional equipment.



**WARNING!**

**Risk of Injury**

- Before every use, check the product for damage and ensure that it is securely assembled.
- Before first use, clean the product thoroughly.



**WARNING!**

**Risk of Injury**

Improper use of this product may cause injury or damage.

- Do not use if defective.
- In the event of a malfunction, contact your provider immediately.
- Do not make any unauthorised changes or alterations to the product.
- Only use accessories / options intended for this product.



**WARNING!**

**Risk of Injury**

Improper use of this product may cause injury or damage.

- Do not lift the product when under load.
- Do not stand on the product.



**CAUTION!**

**Risk of Injury**

Non-original or wrong parts may affect the function and safety of the product.

- Only use original parts for the product in use.
- Due to regional differences, refer to your local Invacare catalogue or website for available options or contact your Invacare distributor. See addresses at the end of this document.



**NOTICE!**

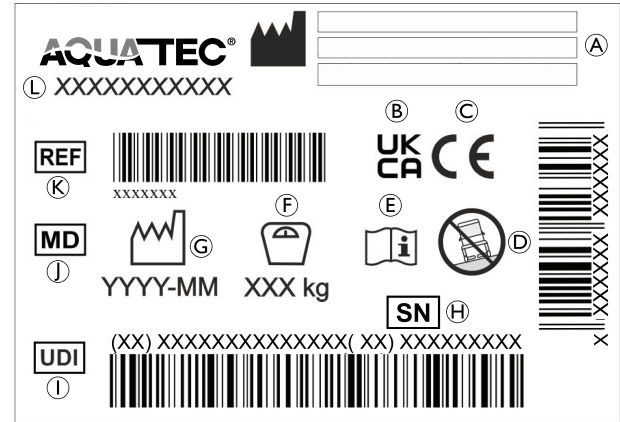
When combining this product with another product, the restrictions of both products apply for the combination. E.g. the maximum user weight of one product in the combination may be lower.

- Only use combinations allowed by Invacare. Contact your Invacare distributor for information.
- Before use, read the user manual of each product and check the restrictions. The full compliance with the information, instructions and recommendations contained in both user manuals is necessary for a safe use.

**2.2 Labels and Symbols on the Product**


**Identification Label**

The identification label contains important information:




(A)	Manufacturer address
(B)	UK Conformity Assessed
(C)	European Conformity
(D)	For use on level ground only
(E)	Read user manual
(F)	Maximum user weight
(G)	Date of manufacture
(H)	Serial number
(I)	Unique Device Identifier
(J)	Medical device

Ⓚ	Reference number
Ⓛ	Product designation

 The identification label is attached to the inside of the left side part.

### Labels on the Product

The following label is attached to the handle of the backrest:	
Label	Description
	<p><b>WARNING!</b></p> <p>Risk of tipping over</p> <ul style="list-style-type: none"> <li>– Do not step on the footrest when getting into or out of the shower and toilet chair.</li> <li>– Push the footrests to the sides or fold up the foot plates before getting into or out of the shower and toilet chair.</li> <li>– Before sitting down or standing up, turn the castors so that the lock is pointing forwards.</li> <li>– Do not lean too far forwards when sitting in the shower and toilet chair.</li> </ul>



## 3 Product Overview

### 3.1 Intended Use

Aquatec Ocean Ergo and Aquatec Ocean Ergo XL are mobile shower- and toilet chairs with stainless steel frame, individually adjustable seat height, tension adjustable backrest, flip up armrests and foldable angle-adjustable textured foot plates. The product is also available as a 24" wheels-model for self-propelling.

These mobile shower and toilet chairs are intended to support personal hygiene activities with or without assistance in institutional and household surroundings.

The shower and toilet chair may only be used as a bathing chair in a pool, if the pool does not contain salt water and an attendant is present at all times.

Temperature for use (indoors only): 10 - 65 °C

#### Intended Users

The intended user is the person sitting in the shower- and toilet chair or an assistant. The device can be used for adolescents or adults having a physical size equal to or more than 146 cm, a weight equal to or more than 40 kg and a body mass index equal to or more than 16.

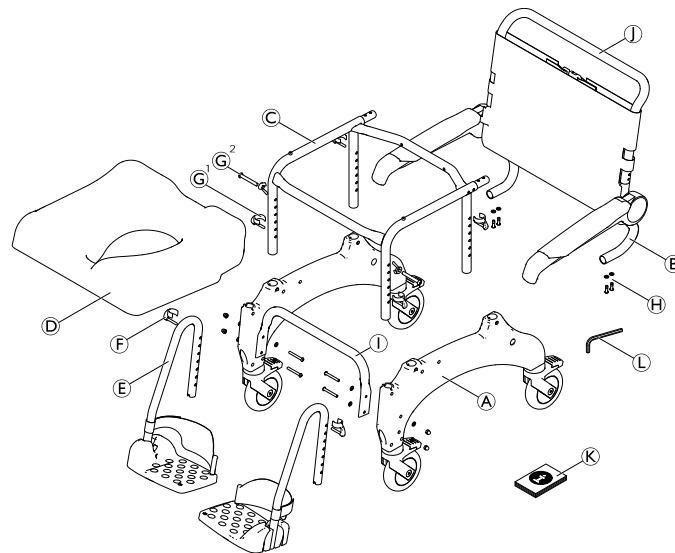
For the maximum user weight of the product see *10 Technical Data, page 28*.

#### Indications

- Difficulty in standing or keeping balance,
- weak legs or lower limb disability,
- medical conditions that impair the balance.

There are no contraindications known when using the product as intended.

### 3.2 Main Parts of the Product

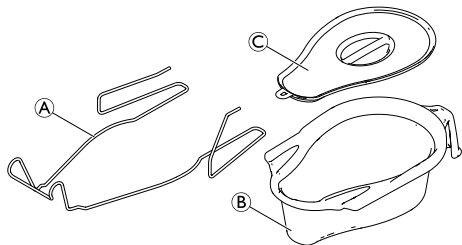


(A)	Side part with castors (left and right)
(B)	Backrest with backrest cover and armrests
(C)	Seat frame
(D)	Seat
(E)	Footrest with heel strap (left and right)
(F)	Clips (2x) for footrest (inserted)

Ⓒ <sup>1</sup>	Clips (4x) for seat height adjustment
Ⓒ <sup>2</sup>	Screws and wing nuts (2x) for lower seat height adjustment
Ⓗ	Screws and washers (4x)
Ⓘ	Base stabilisation tube with screws (4x), washers (8x) and nuts (4x) - Ocean XL only
Ⓙ	Push bar
Ⓚ	User manual
Ⓛ	Allen key AF 4

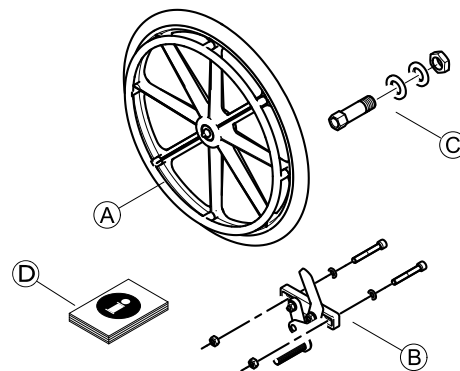
**i** Note the change in dimensions when the self-propelling wheels are fitted. For details see chapter 10 *Technical Data*, page 28.

### Toilet Pan Holder with Toilet Pan (optional)



Ⓐ	Toilet pan holder
Ⓑ	Toilet pan
Ⓒ	Lid

### Self-propelling Wheels with Parking Brake (optional)



Ⓐ	Self-propelling wheels (2x)
Ⓑ	Parking brakes (2x) with screws (4x), washers (4x) and nuts (4x)
Ⓒ	Hubs incl. axles and washers and nuts (2x)
Ⓓ	Assembly instruction

## 4 Setup

### 4.1 Safety Information



#### WARNING!

- Check the parts for transport damage before commissioning and contact your provider if required.
- Ensure during assembly that the parts are positioned correctly with respect to one another.
- Self-locking screws/nuts or thread-locking adhesive are used for several connections. If these are loosened, they must be replaced by new self-locking screws/nuts or they must be secured using new thread-locking adhesive.



#### CAUTION!

##### Risk of Pinching

- Take care during assembly.

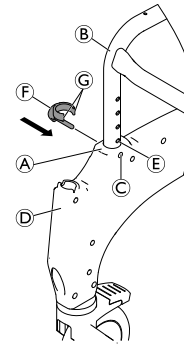
### 4.2 Assembling the Product

This section describes the assembly. Disassembly takes place in the reverse order.



The armrest height, footrest height, footrest angle, heel strap, tension of backrest cover and accessories / options must be adjusted to optimally fit the user.

#### 4.2.1 Installing the Seat Frame Tube for Height Adjustment



1. Remove the enclosed clips ⑥ from the bag.
2. Place the seat frame on its side.



Push the side part evenly onto the frame and do not twist.



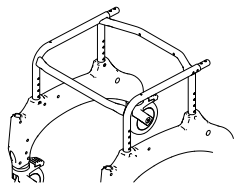
#### NOTICE!

– Secure the side part at the same height, front and rear.

3. Push the side part ① with the guides for the footrests ④ forwards on the seat frame ②.



Make sure that the identification label is attached to the inside of the left side part.



Make sure that the orientation of the seat frame is correct.

4. Bring the clip mounts © on the front and back of the side part in line with a hole in the seat frame ⑤.
5. Insert the clips ⑥ from the outside into the side part, until the clip edges ⑦ enclose the seat frame tube ⑧.



#### NOTICE!

- Make sure that all four clips are securely fastened.
- Make sure that the left and the right side parts are adjusted to the same height.

6. Turn the seat frame and repeat the procedure on the second side part.
7. Set the seat frame with the fitted side parts on its wheels.

### Adjusting the Seat Height (Except two Lowest Positions)



#### WARNING!

- Make sure that all four clips are securely fastened.
- Make sure that the seat is adjusted to the same height on both sides.
- Do not adjust the seat height when someone is sitting on the shower and toilet chair.

1. Raise the shower and toilet chair slightly on one side by the seat frame ⑩.
2. Remove both clips ⑥ on this side.
3. Pull the seat frame out of the side part ⑪ or push it into the side part to adjust the seat height.
4. Push both clips back in completely.
5. Repeat step 1-4 on the other side.



The seat height can be adjusted to accommodate different situations of use e.g. transfer from a bed or a wheelchair or use above a toilet etc.

## Adjusting Seat Height to two Lowest Positions



### WARNING! Risk of Injury

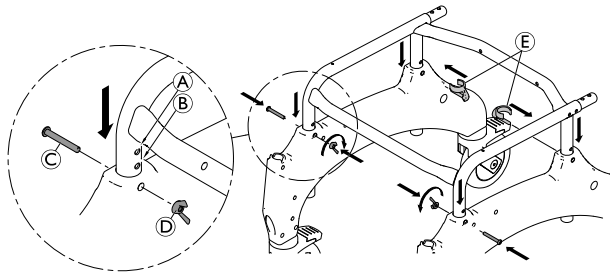
If the seat frame needs to be adjusted to the lowest possible positions (A) or (B), wrong mounting can cause injury or damage.

- Do not use clips for securing the seat frame on front of the side parts.
- Use screws and wing nuts (refer to 3.2 Main Parts of the Product, page 9) to secure the seat frame on front of the side parts.



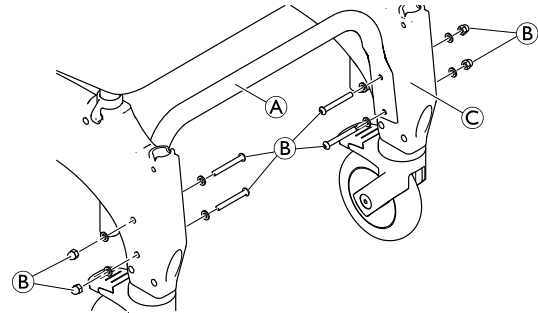
### WARNING!

- Make sure that all mounting hardware is securely fastened.
- Make sure that the seat is adjusted to the same height on both sides.
- Do not adjust the seat height when someone is sitting on the shower and toilet chair.



1. Raise the shower and toilet chair slightly on one side by the seat frame.
2. Remove both clips on this side.
3. Push seat frame into the side part to adjust the seat height.
4. Insert screw C.
5. Secure with wing nut D.
6. To secure the rear of the side part, push clip E back in completely from the inside of the frame.
7. Repeat step 1-6 on the other side.

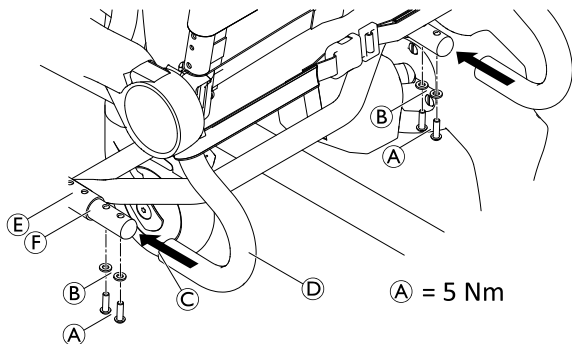
## Installing the Base Stabilization Tube (Ocean Ergo XL only)



1. Install the base stabilization tube (A) between the side parts (C) using the screws and nuts (B) supplied. Make sure the stabilization tube is facing upwards.
2. Tighten the screws with a torque of 5 Nm.

## 4.2.2 Installing the Backrest

1. Push down all four foot pedals of the castors to lock them.



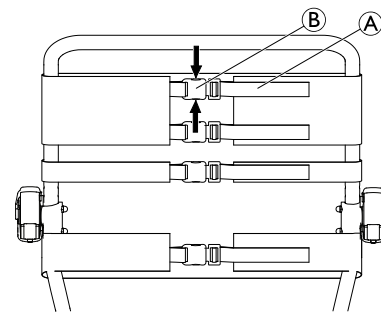
2. Push the backrest **D** from the rear side onto the seat frame **E**, until the collar **C** touches the seat frame tube **F**.
3. Position a washer **B** on each screw **A** and secure the backrest on each side with a torque of 5 Nm using the Allen key supplied.

### ! NOTICE!

– Check the screws regularly to ensure they are fastened securely.

## Adjusting the Backrest Cover

The tension of the backrest cover can be adjusted as needed.



### WARNING!

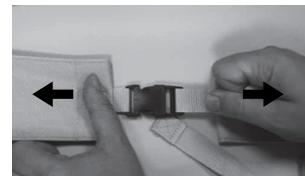
– Make sure that at least three belts are always passed around the backrest frame (on the outside) and their belt buckles are fastened.

### Tightening:

1. Pull the belts **A** of the backrest cover tighter.

### Loosening:

1. Open the buckles **B** by squeezing the retaining lugs together (arrows).
2. Push the belts back a little through the buckle.
3. Fasten the belt buckles.
4. Retighten the belts gently.



**WARNING!****Risk of injury due to damaged backrest buckles!**

Check for secure fastening of the backrest buckles each time the product is maintained or reconditioned.

- Check all buckles for secure fastening by closing the buckles and pulling on both ends.
- Replace the backrest/backrest buckles if a buckle opens under the applied force.

**4.2.3 Installing and Removing the Seat Plate****Installing**

1. Place the seat plate on the seat frame with the cutout to the front.
2. Press the seat plate down with the flat hand at the sides and then at the front and back until the seat plate snaps onto the seat frame.

**Removing**

1. Pull the seat plate upwards at the rear.

**4.2.4 Setting Armrest Height**

1. Open the belt buckle of the backrest cover which is passed on the inside of the backrest frame.
2. Open the belt buckle on the backrest cover, which is above the armrest.



When adjusting to a lower position the belt beneath the armrest must be opened.

3. Pass this belt on the inside of the backrest frame and close it again.

4.

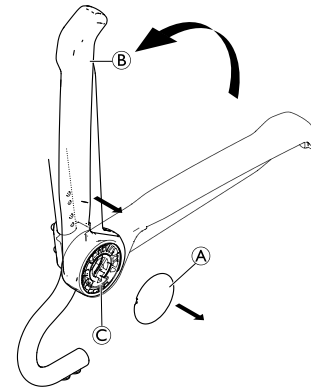


Fig. 4-1

Remove cap **A**.

5. Fold up armrest **B** to pull it off the armrest bracket **C**.
- 6.

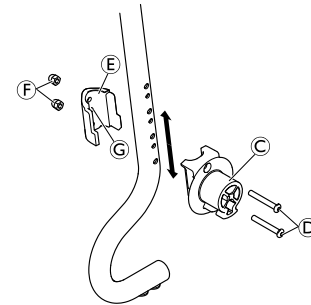




Fig. 4-2

Remove screws **D** from armrest bracket **C** with supplied Allen key.

- Remove securing clamp **E** with nuts **F** from the inside of the backrest frame.

 The nuts are inserted loosely into the securing clamp and may drop out.

- To reinstall armrest bracket and securing clamp at desired position, insert screws **D** into armrest bracket and guide them through the desired holes in the backrest frame.

 The smaller holes on the inside of the backrest frame fix the securing clamp.

- Place the securing clamp in such way that the fixing **G** of securing clamp engages in smaller hole.
- Tighten screws **D** with 5 - 6 Nm and nuts **F**.
- 

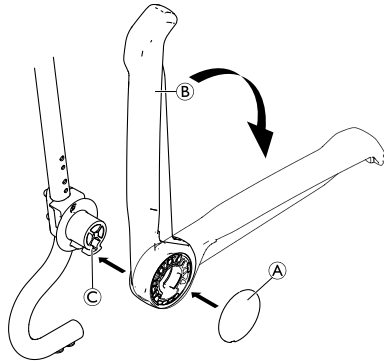



Fig. 4-3

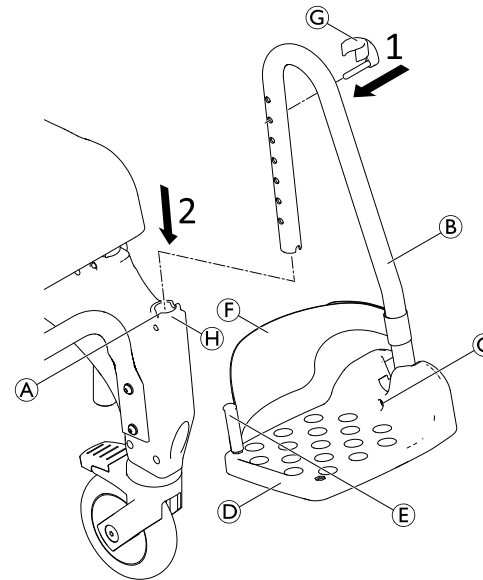
Reinstall armrest **B** on bracket **C**.

- Fold down armrest.
- Reinstall cap **A**.

- Pass the open belt of the backrest cover on the outside of the backrest frame, close belt buckles and tighten all the belts.
- The height adjustment procedure is the same for the right and left armrest.

 To install accessories / options, the third belt from the top can be opened and the backrest cover can be passed by the backrest frame from the inside.

#### 4.2.5 Installing the Footrests





1. Insert the pin of the clip ③ from the outside into the required hole on the footrest ②. Make sure the clip engages around the tube.
2. Push the footrest into the guide ④ at the front of the side part until the pin of clip ③ engages in the groove ①. The footrest can no longer be turned to the side.



The assembly procedure is the same for the right and the left footrest.

### Adjusting the Height of the Footrests



The footrests can be shortened if required (refer to the service manual). Shortening the footrests must be performed by a qualified technician.

1. Slightly pull up the footrest ②.
2. Pull the clip ③ out of the hole in the footrest and re-insert it into the required hole. Pull out the footrest slightly further if necessary.
3. Push down the footrest until the pin of clip ③ engages in the groove ①.
4. Set the other footrest to the required height as described.

### Adjusting the Inclination of the Foot Plates



The inclination of the foot plates can be adjusted infinitely variably.

1. Loosen the Allen screw ③ on the foot plate using a size 4 Allen key.
2. Turn the foot plate ④ to the required position.
3. Re-tighten the Allen screw.

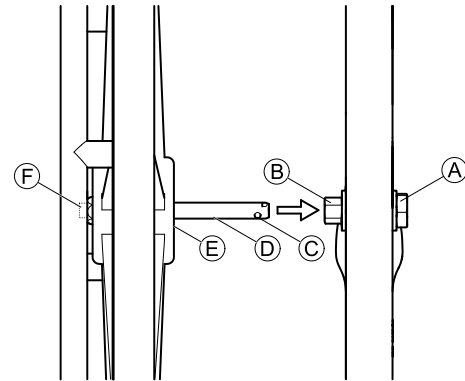
## 4.3 Assembling Accessories and Options



### WARNING! Risk of injury

- The assembly of accessories and options must be carried out according to the corresponding instructions.

### 4.3.1 Installing/Removing Self-Propelling Wheels



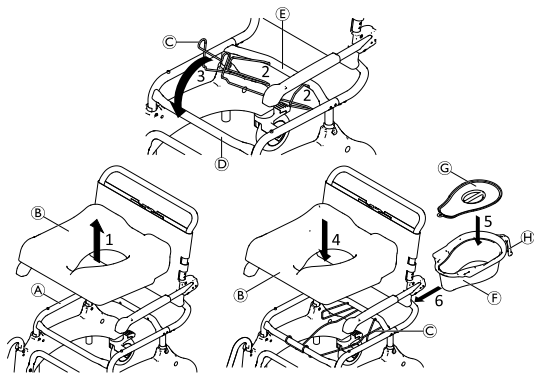
### NOTICE!

- When the self-propelling wheels are fitted, the rear castors must remain locked to avoid collision between castor and wheel.
- The hubs and the parking brakes for the self-propelling wheels must be fitted by a qualified technician.

1. Align all four castors in the driving direction.
2. Lock all castors.
3. Push the axle ① on the self-propelling wheel inwards.  
(The handrims project outwards.)
4. Press and hold the button ② on the outside of the axle.  
This releases the retaining balls ③ at the end of the axle.
5. Raise the shower and toilet chair slightly.
6. Insert the axle into the hub ④ and push in the self-propelling wheel onto the axle until the end stop ⑤.
7. Release the button ②.
8. Check that the retaining balls are behind the hex nut ⑥.
9. The assembly is the same for the right and left self-propelling wheel.

To remove the wheels, carry out the same procedure in the reverse order.

### 4.3.2 Fitting/Removing the Toilet Pan Holder and Toilet Pan

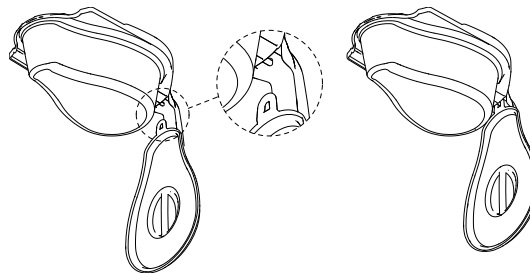


**i** The toilet pan ⑦ can be inserted/removed with or without the lid ⑧.

1. Remove the seat ② from the frame ①.
2. Position the ends of the toilet pan holder ③ into the holes of the rear cross tube ④.
3. Engage the front part of the toilet pan holder with the front cross tube ⑤.
4. Re-fit the seat to the frame.
5. Place the lid on or remove it from the toilet pan.
6. Hold the toilet pan by its handle ⑥ and insert from the rear side between the toilet pan holder and the seat.

**i** Slightly push down the toilet pan when inserting or removing.

**i** The lid can be hung on the plastic hook at the underside of the toilet pan handle.



## 5 Usage

### 5.1 Safety Information

**WARNING!**

- Only use the shower and toilet chair on a flat surface and indoors.
- Observe the specifications on the identification label. Do not overload the shower and toilet chair.
- Observe the safety label on the handle of the backrest, *2.2 Labels and Symbols on the Product, page 7*
- Always perform a visual inspection of the product for external damage before each use.
- Regularly check the function of the parking brake (self-propelling wheels option only).

**WARNING!****Risk of slipping and rolling**

- Before use, make sure that the seat is securely fastened to the seat frame.
- Lock all castors with levers using the foot levers before sitting down on the shower and toilet chair or standing up from it, as well as in the parking position.
- Apply the parking brake when the self-propelling wheels are fitted (optional).

**WARNING!****Risk of tipping**

- Swivel the footrests to the side or fold up the foot plates before sitting down or standing up.
- Before sitting down or standing up, turn the front castors so that the lock is pointing forwards.
- Never stand on the footrests.
- Do not lean excessively forwards.

**WARNING!****Risk of tipping**

- The shower and toilet chair must only be moved by using the push bar or the self-propelled wheels (optional).

**CAUTION!****Risk of burning your skin**

- The product components can heat up when exposed to external sources of heat.
- Consider heated up surfaces when using the shower and toilet chair in the sauna or when it is exposed to hot water.
  - Do not expose the product to direct sunlight before use.



**CAUTION!**

**Risk of pinching or crushing**

There may be a very small gap between the rear wheel and the parking brake with the risk of trapping fingers.

- Keep fingers away from movable parts when using the brake, always keep hand on the brake lever.



**CAUTION!**

**Risk of pinching**

- When using the self-propelling wheels (optional), do not insert fingers between the spokes or between the rotating self-propelling wheels and the seat frame while moving.



**NOTICE!**

**Risk of damage to the product**

- Do not lift the shower and toilet chair using the footrests, armrests or any accessories / options.



For users with high risk of standing on the footrests (e.g. dementia), front antitippers (optional) are available to prevent the shower and toilet chair from tipping forward.

## 5.2 Turning Armrests

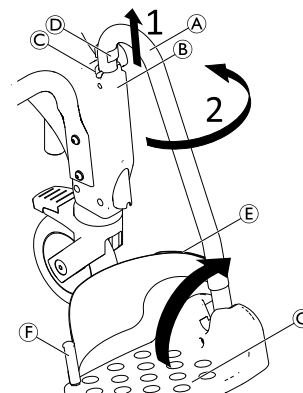


**CAUTION!**

**Risk of Pinching Fingers**

- Do not put fingers between armrest and backrest when folding back the armrests.

## 5.3 Swivelling the Footrests



### Entry Position/Exit Position:

1. Slightly pull up the footrest (A) in the guide (B) until the pin of clip (D) no longer engages in the groove (C).
2. Swivel the footrest to the side.



Alternatively, the foot plates (G) can be swivelled upwards to enter/exit the shower and toilet chair.

### Driving Position:



**CAUTION!**


**Risk of accident due to loose footrest**


- Fix footrests in the driving position.

1. Turn the footrest (A) inwards.
2. Push the footrest downward, until the pin of the clip (D) engages in the groove (C).

### Removing/Fitting the Heel Strap

1. Open the hook and loop strip (E) on the heel strap.
2. Remove the screw (F) from the underside of the foot plate.
3. Remove the heel strap from the flexible plastic pin.

 To attach the strap, carry out the same procedure in the reverse order.

 When installing ensure that the hook and loop strip of the heel strap is facing backwards.

### 5.4 Engaging/Disengaging the Castor Locks

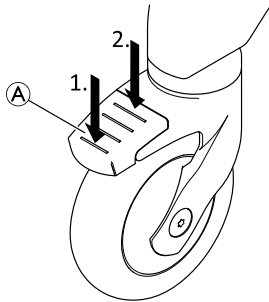


#### CAUTION!


#### Risk of Trapping/Squeezing

All castor locks are foot-operated.


– Do not operate the castor locks by hand.



1. To lock the castor locks step on the rear end of the pedal (A) until it engages.

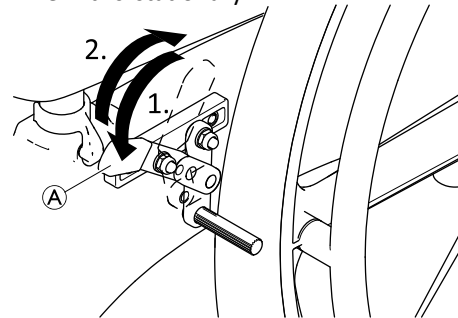
 The castor is now locked in position and cannot swivel any longer.

2. To unlock the castor locks step on the front end of the pedal until it disengages.

 Castor with blue pedal (option directional lock) engages the swivel lock for easier straight movement.

### 5.5 Engaging/Disengaging the Parking Brakes

The parking brakes are used to immobilise the shower and toilet chair with 24" wheels to prevent it from rolling away when it is stationary.



1. To engage the parking brake, push the brake lever (A) forward as far as possible.
2. To disengage the parking brake, pull the brake lever backwards.

## 6 Transport

### 6.1 Safety Information



The product can be dismantled for transport into the parts of the scope of delivery, see chapter 3.2 *Main Parts of the Product*, page 9 .

1. Disassemble the product: Refer to chapter 4 *Setup*, page 11 by following the assembly steps in reverse order.



#### **NOTICE!**

##### **Risk of damage to the product**

- Transport the product in a dry area.
- Do not expose the product to direct sunlight.
- Refer to the storage and shipping conditions in chapter 10.3 *Environmental Parameters*, page 30.



#### **NOTICE!**

- Self-locking screws/nuts or thread-locking adhesive are used for several connections. If these are loosened, they must be replaced by new self-locking screws/nuts or they must be secured using new thread-locking adhesive.

## 7 Maintenance

### 7.1 Maintenance and Inspection

The product is maintenance-free, provided the cleaning and safety instructions outlined below are adhered to.

To ensure good performance and safety the following checks should regularly be carried out:

- Check the product and accessories / options regularly for damage. Do not use the product if defective.
- In case of damage or malfunction it is recommended to contact the provider.
- Ensure that the product is securely assembled and that screws are properly tightened.



#### **WARNING!**

##### **Risk of Injury and Damage**

If the product is improperly adjusted it can cause accidents and severe injuries.

- The product must be repaired by a qualified technician.
- Damaged parts have to be replaced by a qualified technician.
- Only use original Invacare spare parts.

## 7.2 Cleaning and Disinfection

### 7.2.1 General Safety Information



#### **CAUTION!**

##### **Risk of Contamination**

- Take precautions for yourself and use appropriate protective equipment.



#### **NOTICE!**

Wrong fluids or methods can harm or damage the product.

- All cleaning agents and disinfectants used must be effective, compatible with one another and must protect the materials they are used to clean.
- Never use corrosive fluids (alkalines, acid etc.) or abrasive cleaning agents. We recommend an ordinary household cleaning agent such as dishwashing liquid, if not specified otherwise in the cleaning instructions.
- Never use a solvent (cellulose thinner, acetone etc.) that changes the structure of the plastic or dissolves the attached labels.
- Always make sure that the product is completely dried before taking it into use again.



For cleaning and disinfection in clinical or long-term care environments, follow your in-house procedures.

## 7.2.2 Cleaning Intervals



### NOTICE!

Regular cleaning and disinfection enhances smooth operation, increases the service life and prevents contamination. Clean and disinfect the product:

- regularly while in use,
- before and after any service procedure,
- when it has been in contact with any body fluids,
- before using it for a new user.

## 7.2.3 Cleaning Instructions

The product can be cleaned using commercially available agents.

### Cleaning in a Domestic Environment

1. Remove any accessories / options fitted (only accessories / options which do not require tools).
2. Pull the footrests out of the guides.
3. Remove the seat plate and the backrest cover.
4. Wipe down the individual parts using a cloth or brush and commercially available cleaning agents and disinfectants.
5. Rinse the parts with warm water.
6. Dry the parts with a cloth.
7. Reassemble the product, see chapter 4 *Setup, page 11*.

## Cleaning in a Clinical Environment



In addition to cleaning as described above we recommend cleaning the product prior to the use by another patient, after ending of the period of use or on a regular basis (depending on which occurs first) at

- 90 °C for 1 minute
  - 85 °C for 3 minutes
  - 80 °C for 10 minutes
- in the autoclave.



### CAUTION!

#### Risk of Burning your Skin

- Allow the product to cool after cleaning in the washing machine or autoclave.

### Cleaning the Backrest Cover

1. Remove the backrest cover.
2. Machine-wash the cover at max. 60 °C using a mild detergent.



### NOTICE!

#### Risk of Damage

- Washing at higher temperatures can cause damage.
- Do not tumble dry.



### NOTICE!

- Excessive cleaning can damage the textile.
- We recommend replacing the backrest cover every two years for hygiene reasons.



### **Cleaning the Toilet Pan (optional)**

The toilet pan can be cleaned in an autoclave at following temperatures/times:

- 90 °C for 1 minute
- 85 °C for 3 minutes
- 80 °C for 10 minutes.

#### **7.2.4 Disinfection Instructions**



Information on recommended disinfectants and methods can be found on <https://vah-online.de/en/for-users>.

#### **In Domestic Care**

Method: Follow the application notes for the used disinfectant and wipe-disinfect all accessible surfaces.

Disinfectant: Ordinary household disinfectant.

Drying: Allow the product to air-dry.

#### **In Clinical and Long Term Care**

Follow your in-house disinfection procedures and only use the disinfectants and methods specified therein.

## 8 After Use

### 8.1 Storage



#### **NOTICE!**

#### **Risk of damage to the product**

- Store the product in a dry area.
- Do not store the product near heat sources.
- Do not expose the product to direct sunlight.
- Refer to the storage and shipping conditions in chapter *10.3 Environmental Parameters, page 30*.

### 8.2 Reconditioning

This product is suitable for reuse. To recondition the product for a new user, carry out the following actions:

- Inspection
- Cleaning and disinfection

For detailed information, see *7 Maintenance, page 23* and the service manual for this product.

Make sure that the user manual is handed over with the product.

If any damage or malfunction is detected, do not reuse the product.

### 8.3 Disposal

Be environmentally responsible and recycle this product through your recycling facility at its end of life.

Disassemble the product and its components, so the different materials can be separated and recycled individually.

The disposal and recycling of used products and packaging must comply with the laws and regulations for waste handling in each country. Contact your local waste management company for information.

## 9 Troubleshooting

### 9.1 Identifying and Repairing Faults

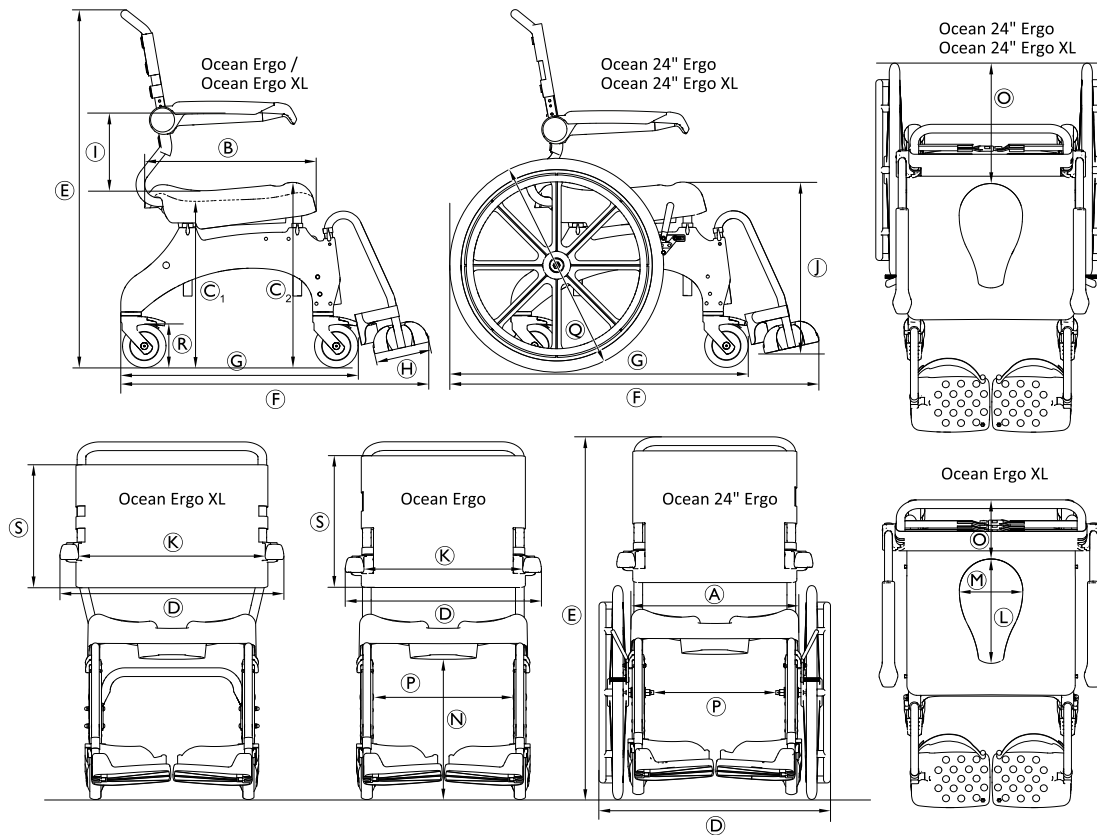


The following table provides information on malfunctions and their possible causes. If you cannot correct the malfunction using the solutions named, contact your provider directly.

<b>Malfunction</b>	<b>Possible Cause</b>	<b>Solution</b>
Difficulty in adjusting the seat height	Dirt between the seat frame and the side part	Disassemble product into the parts of the scope of delivery and clean thoroughly
The castors are difficult or impossible to turn	Dirt between the fork and the rim	Thoroughly clean the castors
Difficulty pushing the footrests to the side	Deposits in the guides	Thoroughly clean the footrests and the guides
Parking brake of the self-propelling wheels (optional) does not engage	Parking brake wrongly adjusted	The parking brake must be adjusted by a qualified technician.

## 10 Technical Data

### 10.1 Dimensions and Weight



	Ocean Ergo	Ocean Ergo XL	Ocean 24" Ergo	Ocean 24" Ergo XL
Ⓐ	480 mm			
Ⓑ	480 mm			
Ⓒ <sub>1</sub>	440 mm – 600 mm			475 mm – 600 mm
Ⓒ <sub>2</sub>	498 mm – 658 mm			533 mm – 658 mm
Ⓓ	565 mm	645 mm	670 mm	
Ⓔ	985 mm – 1145 mm		1010 mm – 1170 mm	1045 mm – 1170 mm
Ⓕ	905 mm		1050 mm	
Ⓖ	700 mm		850 mm	
Ⓗ	160 mm			
Ⓘ	215 mm / 253 mm / 290 mm	253 mm / 290 mm	215 mm / 253 mm / 290 mm	253 mm / 290 mm
Ⓙ	260 mm – 570 mm			295 mm – 570 mm
Ⓚ	475 mm	555 mm	475 mm	555 mm
Ⓛ	350 mm (top) / 300 mm (bottom)			
Ⓜ	250 mm (top) / 182 mm (bottom)			
Ⓝ	365 mm – 525 mm			400 mm – 525 mm
Ⓞ	200 mm		355 mm	
Ⓟ	405 mm		360 mm	
Ⓠ	—		Æ 24" (610 mm)	
Ⓡ	Æ 5" (127 mm)			

	Ocean Ergo	Ocean Ergo XL	Ocean 24" Ergo	Ocean 24" Ergo XL
⑤	390 mm	350 mm	390 mm	350 mm
Turning diameter	2100 mm		1940 mm	
Reversing width	1070 mm		1240 mm	
Product weight	17 kg	18 kg	23 kg	24 kg
Maximum user weight	150 kg	180 kg	150 kg	180 kg

## 10.2 Materials

Frame	Stainless steel, powder-coated
Footrest tube	Stainless steel
Seat plate	Polypropylene, fiber-glass reinforced
Backrest cover	Nylon, PVC-coated
Footrest plate / Side parts	Polypropylene, fiber-glass reinforced
Armrest	Polyamid, fiber-glass reinforced
Castors	Plastics and stainless steel
Running surface of 24" wheels	PUR

All product components are corrosion resistant and do not contain natural rubber latex.

## 10.3 Environmental Parameters

Operating Conditions	
Ambient temperature	10 - 65 °C
Relative humidity	15 % - 93 %, non-condensing
Atmospheric pressure	795 - 1060 hPa
Storage and Shipping Conditions	
Ambient temperature	0 - 65 °C
Relative humidity	30 % - 75 %, non-condensing
Atmospheric pressure	795 - 1060 hPa

---

# Inhaltsverzeichnis

---

Diese Gebrauchsanweisung MUSS dem Benutzer des Produkts ausgehändigt werden. VOR der Verwendung dieses Produkts MUSS die Gebrauchsanweisung gelesen werden. Bewahren Sie sie auf, um später darin nachschlagen zu können.

<b>1 Allgemein</b>	<b>32</b>
1.1 Einleitung	32
1.2 Symbole in diesem Dokument	32
1.3 Garantieinformationen	33
1.4 Konformität	33
1.4.1 Produktspezifische Normen	33
1.5 Nutzungsdauer	33
<b>2 Sicherheit</b>	<b>35</b>
2.1 Sicherheitsinformationen	35
2.2 Etiketten und Symbole am Produkt	36
<b>3 Produktübersicht</b>	<b>38</b>
3.1 Verwendungszweck	38
3.2 Hauptkomponenten des Produkts	38
<b>4 Inbetriebnahme</b>	<b>41</b>
4.1 Sicherheitsinformationen	41
4.2 Anbringen des Produkts	41
4.2.1 Anbringen des Sitzrahmenrohrs für die Höhenverstellung	41
4.2.2 Anbringen der Rückenlehne	44
4.2.3 Anbringen und Entfernen der Sitzplatte	45
4.2.4 Einstellungen der Armlehnenhöhe	45
4.2.5 Anbringen der Fußauflagen	47
4.3 Montage von Zubehörteilen und Optionen	48
4.3.1 Anbringen/Abnehmen der Selbstfahrräder	48
4.3.2 Befestigen/Entfernen der Toilettentopfhalterung und des Toilettentopfs	49

<b>5 Verwenden</b>	<b>50</b>
5.1 Sicherheitsinformationen	50
5.2 Armlehnen hochklappen	51
5.3 Drehen der Fußauflagen	51
5.4 Arretieren/Entsperren der Schwenkrollenverriegelungen	52
5.5 Betätigen/Lösen der Feststellbremsen	53
<b>6 Transport</b>	<b>54</b>
6.1 Sicherheitsinformationen	54
<b>7 Instandhaltung</b>	<b>55</b>
7.1 Wartung und Inspektion	55
7.2 Reinigung und Desinfektion	55
7.2.1 Allgemeine Sicherheitsinformationen	55
7.2.2 Reinigungsintervalle	56
7.2.3 Reinigungsanweisungen	56
7.2.4 Desinfektionsanweisungen	57
<b>8 Nach dem Gebrauch</b>	<b>58</b>
8.1 Lagerung	58
8.2 Wiederaufbereitung	58
8.3 Entsorgung	58
<b>9 Problembehandlung</b>	<b>59</b>
9.1 Erkennen und Beheben von Mängeln	59
<b>10 Technische Daten</b>	<b>60</b>
10.1 Abmessungen und Gewicht	60
10.2 Materialien	62
10.3 Umgebungsbedingungen	62

# 1 Allgemein

## 1.1 Einleitung

Diese Gebrauchsanweisung enthält wichtige Informationen zur Handhabung des Produkts. Lesen Sie die Gebrauchsanweisung sorgfältig durch und befolgen Sie die Sicherheitsanweisungen, damit eine sichere Verwendung des Produkts gewährleistet ist.

Verwenden Sie dieses Produkt erst, nachdem Sie dieses Handbuch gelesen und verstanden haben. Wenden Sie sich außerdem an qualifiziertes Pflegepersonal, das mit Ihrem gesundheitlichen Zustand vertraut ist, und klären Sie mit dem Pflegepersonal alle Fragen rund um die korrekte Verwendung und die erforderliche Anpassung.

Beachten Sie, dass dieses Dokument Abschnitte enthalten kann, die für Ihr Produkt nicht von Bedeutung sind, da dieses Dokument sämtliche zum Zeitpunkt der Drucklegung verfügbaren Modelle abdeckt. Sofern nicht anders angegeben, bezieht sich jeder Abschnitt dieses Dokuments auf alle Modelle des Produkts.

In den länderspezifischen Vertriebsdokumenten sind alle in Ihrem Land verfügbaren Modelle und Konfigurationen aufgeführt.

Invacare behält sich das Recht vor, Produktspezifikationen ohne vorherige Ankündigung abzuändern.

Vergewissern Sie sich vor dem Lesen dieses Dokuments, dass Sie die aktuelle Fassung haben. Die jeweils aktuelle Fassung können Sie als PDF-Datei von der Invacare-Website herunterladen.

Wenn die gedruckte Ausführung des Dokuments für Sie aufgrund der Schriftgröße schwer zu lesen ist, können Sie die entsprechende PDF-Version von der Invacare-Website herunterladen. Sie können das PDF-Dokument dann auf dem Bildschirm so anzeigen, dass die Schriftgröße für Sie angenehmer ist.

Weitere Informationen zum Produkt, z. B. Informationen zu Produktsicherheitshinweisen oder zu einem Produktrückruf, erhalten Sie von Ihrem Invacare-Distributor. Die entsprechenden Adressen finden Sie am Ende dieses Dokuments.

Bei einem ernsthaften Vorfall mit dem Produkt informieren Sie bitte den Hersteller und die zuständige Behörde in Ihrem Land.

## 1.2 Symbole in diesem Dokument

In diesem Dokument werden Symbole und Signalwörter verwendet, um auf Gefahren oder unsichere Praktiken hinzuweisen, die zu Verletzungen oder Sachschäden führen können. Die Definitionen der verwendeten Signalwörter finden Sie in der nachstehenden Tabelle.



### WARNUNG

Weist auf eine gefährliche Situation hin, die bei Nichtbeachtung zu schweren Verletzungen oder zum Tod führen kann.



### VORSICHT

Weist auf eine gefährliche Situation hin, die bei Nichtbeachtung zu leichten Verletzungen führen kann.



**!** HINWEIS  
Weist auf eine gefährliche Situation hin, die bei Nichtbeachtung zu Sachschäden führen kann.

**i** Tipps und Empfehlungen  
Enthalten nützliche Tipps, Empfehlungen und Anleitungen für eine effiziente und problemlose Verwendung.

### Sonstige Symbole

(Nicht für alle Handbücher anwendbar)

**UKRP** Verantwortliche Person im Vereinigten Königreich  
Pflichtangabe, wenn das Produkt nicht im Vereinigten Königreich hergestellt wurde.



Triman  
Hinweis auf Recycling- und Sortiervorschriften (nur für Frankreich relevant).

## 1.3 Garantieinformationen

Wir gewähren für das Produkt eine Herstellergarantie gemäß unseren Allgemeinen Geschäftsbedingungen für das entsprechende Land.

Garantieansprüche können nur über den Händler geltend gemacht werden, von dem das Produkt bezogen wurde.

## 1.4 Konformität

Qualität ist für das Unternehmen entscheidend. Alle Abläufe sind an den Anforderungen von ISO 13485 ausgerichtet.

Dieses Produkt trägt die CE-Kennzeichnung in Übereinstimmung mit der Verordnung über Medizinprodukte (2017/745, Klasse I).

Dieses Produkt trägt die UKCA-Kennzeichnung in Übereinstimmung mit Teil II UK MDR 2002 (in der jeweils gültigen Fassung) Klasse I.

Wir setzen uns kontinuierlich dafür ein, die Umwelt durch unsere Unternehmenstätigkeit sowohl direkt vor Ort als auch weltweit möglichst wenig zu beeinträchtigen.

Wir verwenden ausschließlich REACH-konforme Materialien und Bauteile.

### 1.4.1 Produktspezifische Normen

Dieses Produkt wurde getestet und entspricht der Norm ISO 17966 (Hilfsmittel für die Körperhygiene zur Unterstützung der Anwender) und allen einschlägigen Normen. Dies schließt Tests auf Entflammbarkeit ein. Fortschreitender Schwelbrand und Flammen sind nicht aufgetreten.

Weitere Informationen zu lokalen Normen und Vorschriften erhalten Sie bei Ihrem Invacare-Vereiner vor Ort. Die entsprechenden Adressen finden Sie am Ende dieses Dokuments.

## 1.5 Nutzungsdauer

Die Nutzungsdauer dieses Produkts beträgt fünf Jahre, vorausgesetzt, es wird täglich und in Übereinstimmung mit den in dieser Gebrauchsanweisung aufgeführten Sicherheitshinweisen, Wartungsintervallen und korrekten

Verfahrensweisen verwendet. Die tatsächliche Haltbarkeitsdauer kann abhängig von Häufigkeit und Intensität der Verwendung variieren.

## 2 Sicherheit

### 2.1 Sicherheitsinformationen

**WARNUNG!****Gefahr von schweren Verletzungen oder Sachschäden**

Die unsachgemäße Verwendung dieses Produkts kann zu Verletzungen oder Sachschäden führen.

- Falls Ihnen die Warnungen, Sicherheitshinweise und Anweisungen unverständlich sind, wenden Sie sich an einen Arzt oder den Anbieter, bevor Sie das Produkt verwenden.
- Verwenden Sie dieses Produkt oder optionales Zubehör erst, nachdem Sie diese Anweisungen und mögliches zusätzliches Anweisungsmaterial – wie die zum Produkt oder optionalen Zubehör gehörende(n) Gebrauchsanweisung, Servicehandbücher oder Merkblätter – vollständig gelesen und verstanden haben.

**WARNUNG!****Verletzungsgefahr**

- Das Produkt vor jeder Verwendung auf Schäden überprüfen und sicherstellen, dass es ordnungsgemäß zusammengebaut ist.
- Das Produkt vor der ersten Verwendung gründlich reinigen.

**WARNUNG!****Verletzungsgefahr**

Die unsachgemäße Verwendung dieses Produkts kann zu Verletzungen oder Sachschäden führen.

- Defekte Produkte nicht verwenden.
- Wenden Sie sich bei einer Fehlfunktion sofort an Ihren Anbieter.
- Keine unbefugten Veränderungen am Produkt vornehmen.
- Nur Zubehörteile/Optionen verwenden, die für dieses Produkt bestimmt ist.

**WARNUNG!****Verletzungsgefahr**

Die unsachgemäße Verwendung dieses Produkts kann zu Verletzungen oder Sachschäden führen.

- Das Produkt unter Belastung nicht anheben.
- Nicht auf das Produkt stellen.



### **VORSICHT!**

#### **Verletzungsgefahr**

Teile, die nicht in Original-Qualität vorliegen, oder falsche Teile können die Funktion und Sicherheit des Produkts beeinträchtigen.

- Für das verwendete Produkt ausschließlich Originalteile verwenden.
- Aufgrund regionaler Unterschiede ziehen Sie bei der Suche nach erhältlichen Optionen den Invacare-Katalog oder die Invacare-Website für Ihr Land zu Rate, oder wenden Sie sich an Ihren Invacare-Händler vor Ort. Die entsprechenden Adressen finden Sie am Ende dieses Dokuments.



### **HINWEIS!**

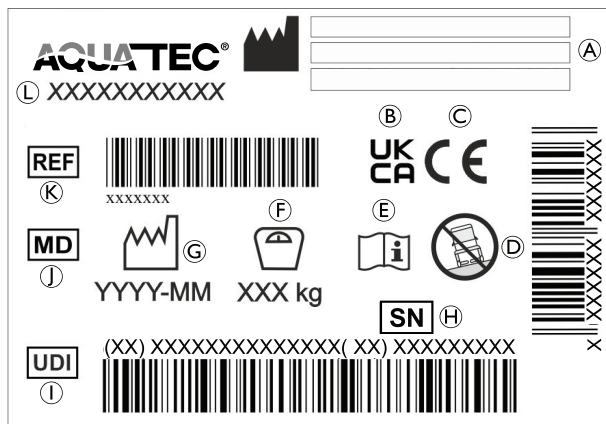
Wird dieses Produkt mit einem anderen Produkt kombiniert, so treffen die einzelnen Einschränkungen der beiden Produkte auf diese Kombination zu. So kann beispielsweise eines der Produkte in einer Kombination ein geringeres maximal zulässiges Benutzergewicht aufweisen als das andere.

- Verwenden Sie ausschließlich von Invacare zugelassene Kombinationen. Weitere Informationen erhalten Sie von Ihrem Invacare-Distributor.
- Lesen Sie vor Verwendung die Gebrauchsanweisung jedes einzelnen Produkts, und machen Sie sich mit den Einschränkungen vertraut. Die uneingeschränkte Beachtung der Informationen, Anweisungen und Empfehlungen in beiden Gebrauchsanweisungen ist für einen sicheren Gebrauch unerlässlich.

## **2.2 Etiketten und Symbole am Produkt**


### **Typenschild**

Das Typenschild enthält wichtige Informationen:



(A)	Adresse des Herstellers
(B)	UKCA-Kennzeichnung
(C)	CE-Kennzeichnung
(D)	Das Produkt nur auf ebenem Untergrund verwenden.
(E)	Gebrauchsanweisung lesen
(F)	Maximales Benutzergewicht
(G)	Herstellungsdatum
(H)	Seriennummer
(I)	Produktidentifizierungsnummer
(J)	Medizinprodukt

(K)	Referenznummer
(L)	Produktbezeichnung

 Das Typenschild ist an der Innenseite des linken Seitenteils angebracht.

### Etiketten am Produkt

Das folgende Etikett ist am Griff der Rückenlehne angebracht:

Etikett	Beschreibung
	<p><b>WARNHINWEIS!</b></p> <p>Kippgefahr</p> <ul style="list-style-type: none"> <li>– Beim Umsetzen in oder aus dem Dusch- und Toilettenstuhl nicht auf die Fußstütze treten.</li> <li>– Vor dem Umsetzen in oder aus dem Dusch- und Toilettenstuhl die Fußstützen zur Seite schieben oder die Fußplatten nach oben klappen.</li> <li>– Vor dem Hinsetzen oder Aufstehen die Schwenkrollen so drehen, dass die Sperrvorrichtung nach vorne weist.</li> <li>– Beim Sitzen im Dusch- und Toilettenstuhl nicht zu weit nach vorne lehnen.</li> </ul>

## 3 Produktübersicht

### 3.1 Verwendungszweck

Bei Aquatec Ocean Ergo und Aquatec Ocean Ergo XL handelt es sich um mobile Dusch- und Toilettenstühle mit Edelstahlrahmen, individuell einstellbarer Sitzhöhe, Rückenlehne mit einstellbarer Spannung, hochklappbaren Armlehnen und einklappbaren winkeleinstellbaren strukturierten Fußplatten. Das Produkt ist auch als Selbstfahrer-Ausführung mit 24"-Rädern erhältlich.

Diese mobilen Dusch- und Toilettenstühle dienen der Unterstützung von Aktivitäten der Körperpflege mit oder ohne Unterstützung im institutionellen wie im häuslichen Umfeld.

Der Dusch- und Toilettenstuhl darf nur dann als Badestuhl in einem Schwimmbecken verwendet werden, wenn das Becken kein Salzwasser enthält und jederzeit eine Begleitperson anwesend ist.

Verwendungstemperatur (nur in Innenräumen): 10 – 65 °C

#### Vorgesehener Benutzerkreis

Der vorgesehene Benutzer ist die Person, die im Dusch- und Toilettenstuhl sitzt, oder eine Begleitperson. Das Produkt kann von Jugendlichen und Erwachsenen mit einer Körpergröße von mindestens 146 cm, einem Gewicht von mindestens 40 kg und einem Body Mass Index (BMI) von mindestens 16 genutzt werden.

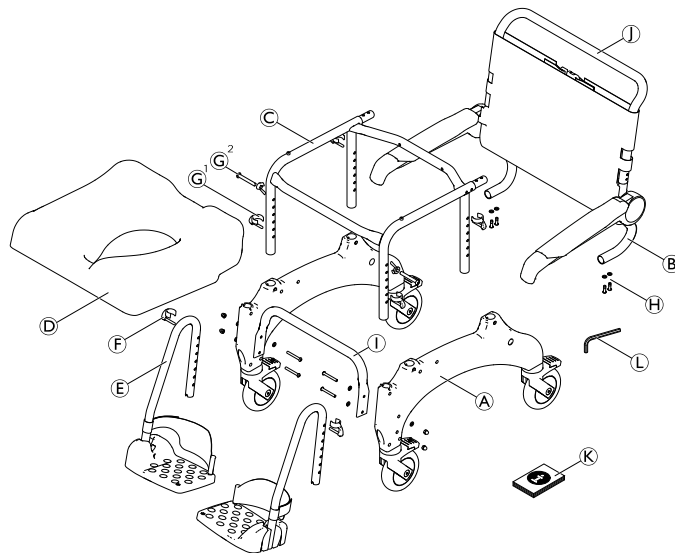
Angaben zum maximal zulässigen Benutzergewicht für das Produkt finden Sie im Abschnitt *10 Technische Daten, Seite 60*.

### Indikationen

- Schwierigkeiten beim Stehen und Halten des Gleichgewichts
- Beinschwäche oder Behinderungen der unteren Gliedmaßen
- Erkrankungen, die den Gleichgewichtssinn beeinträchtigen

Bei bestimmungsgemäßem Gebrauch dieses Produkts sind keine Gegenanzeigen bekannt.

### 3.2 Hauptkomponenten des Produkts

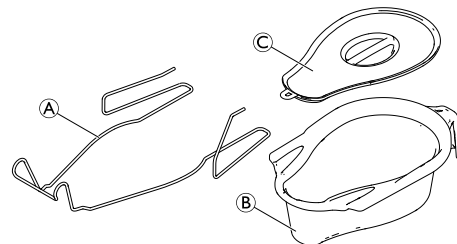


Ⓐ	Seitenteil mit Schwenkrollen (links und rechts)
Ⓑ	Rückenlehne mit Rückenlehnenbezug und Armlehnen
Ⓒ	Sitzrahmen
Ⓓ	Sitz
Ⓔ	Fußstütze mit Fersenband (links und rechts)
Ⓕ	Clips (2×) für Fußstütze (eingesetzt)
Ⓖ <sup>1</sup>	Clips (4×) für die Anpassung der Sitzhöhe
Ⓖ <sup>2</sup>	Schrauben und Flügelmuttern (2×) für die Anpassung der Sitzhöhe auf die niedrigsten Positionen
Ⓕ	Schrauben und Unterlegscheiben (4x)
Ⓘ	Basisstabilisierrohr mit Schrauben (4x), Unterlegscheiben (8x) und Muttern (4x) – nur Ocean XL
Ⓙ	Schiebestange
Ⓚ	Gebrauchsanweisung
Ⓛ	Inbusschlüssel AF 4



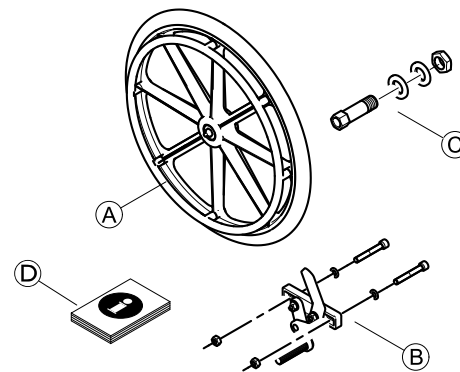
Beachten Sie die veränderten Abmessungen, wenn die Selbstfahrräder montiert sind. Weitere Informationen finden Sie im Kapitel *10 Technische Daten, Seite 60*.

### Toilettentopfhalterung mit Toilettentopf (optional)



Ⓐ	Toilettentopfhalterung
Ⓑ	Toilettentopf
Ⓒ	Deckel

### Selbstfahrräder mit Feststellbremse (optional)



Ⓐ	Selbstfaherräder (2x)
Ⓑ	Feststellbremsen (2x) mit Schrauben (4x), Unterlegscheiben (4x) und Muttern (4x)
Ⓒ	Naben einschließlich Achsen, Unterlegscheiben und Muttern (2x)
Ⓓ	Montageanleitung



## 4 Inbetriebnahme

### 4.1 Sicherheitsinformationen



#### WARNUNG!

- Überprüfen Sie die Teile vor Inbetriebnahme auf Transportschäden und wenden Sie sich im Bedarfsfall an Ihren Anbieter.
- Achten Sie bei der Montage darauf, dass die Teile korrekt aufeinander ausgerichtet sind.
- Bei diversen Verbindungen kommen selbstsichernde Schrauben/Muttern oder Schraubensicherungslack zum Einsatz. Wenn diese gelöst werden, müssen sie durch neue selbstsichernde Schrauben/Muttern ersetzt bzw. mit neuem Schraubensicherungslack gesichert werden.



#### VORSICHT!

#### Einklemmgefahr

- Vorsicht bei der Montage.

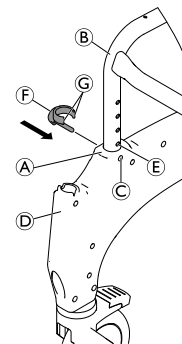
### 4.2 Anbringen des Produkts

In diesem Abschnitt wird die Montage beschrieben. Die Demontage erfolgt in umgekehrter Reihenfolge.



Die Höhe der Armlehne und der Fußstütze, der Winkel der Fußstütze, das Fersenband, die Spannung des Rückenlehnenbezugs und die Zubehörteile/Optionen müssen optimal an den jeweiligen Anwender angepasst werden.

#### 4.2.1 Anbringen des Sitzrahmenrohrs für die Höhenverstellung



1. Nehmen Sie die beiliegenden Clips ⑥ aus dem Beutel.
2. Legen Sie den Sitzrahmen auf die Seite.



Schieben Sie das Seitenteil gerade in den Rahmen und verdrehen Sie es nicht.

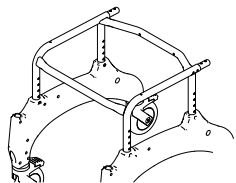


#### WICHTIG

- Befestigen Sie das Seitenteil vorne und hinten in der gleichen Höhe.
3. Schieben Sie das Seitenteil ① mit den Führungen für die Fußauflagen ④ nach vorn auf den Sitzrahmen ②.



Vergewissern Sie sich, dass das Typenschild an der Innenseite des linken Seitenteils angebracht ist.



Vergewissern Sie sich, dass die Ausrichtung des Sitzrahmens stimmt.

4. Richten Sie die Clip-Befestigungen © vorne und hinten am Seitenteil auf ein Loch im Sitzrahmen ⑤ aus.
5. Setzen Sie die Clips ⑥ von außen so in das Seitenteil, bis die Clip-Kanten ③ das Sitzrahmenrohr ② umschließen.



#### WICHTIG

- Überprüfen Sie, dass alle vier Clips sicher angebracht sind.
- Achten Sie darauf, dass das linke und das rechte Seitenteil auf die gleiche Höhe eingestellt sind.

6. Drehen Sie den Sitzrahmen und wiederholen Sie den Vorgang für das zweite Seitenteil.
7. Setzen Sie den Sitzrahmen mit den montierten Seitenteilen auf die Räder.

### Anpassen der Sitzhöhe (mit Ausnahme der beiden niedrigsten Positionen)



#### WARNUNG!

- Überprüfen Sie, dass alle vier Clips sicher angebracht sind.
- Achten Sie darauf, dass der Sitz auf beiden Seiten auf dieselbe Höhe eingestellt ist.
- Stellen Sie die Sitzhöhe nicht ein, während eine Person auf dem Dusch- und Toilettenstuhl sitzt.

1. Heben Sie den Dusch- und Toilettenstuhl an einer Seite am Sitzrahmen ② etwas an.
2. Entfernen Sie beide Clips ⑥ auf dieser Seite.
3. Ziehen Sie den Sitzrahmen aus dem Seitenteil ① heraus bzw. schieben Sie ihn in das Seitenteil hinein, um die Sitzhöhe einzustellen.
4. Drücken Sie beide Clips wieder vollständig hinein.
5. Wiederholen Sie die Schritte 1 bis 4 für die andere Seite.



Die Sitzhöhe kann für verschiedene Verwendungssituationen entsprechend eingestellt werden, z. B. für den Transfer von einem Bett oder Rollstuhl oder für die Benutzung über einer Toilette usw.

## Anpassen der Sitzhöhe auf die beiden niedrigsten Positionen



### WARNUNG! Verletzungsgefahr

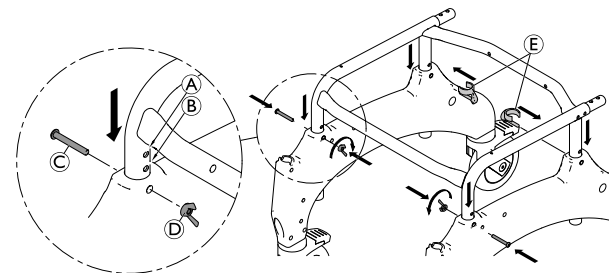
Wenn der Sitzrahmen auf eine der beiden niedrigsten Positionen **A** oder **B** angepasst werden muss, besteht bei einer fehlerhaften Montage die Gefahr von Sach- und Personenschäden.

- Verwenden Sie für das Fixieren des Sitzrahmens an der Vorderseite der Seitenteile keine Clips.
- Verwenden Sie für das Fixieren des Sitzrahmens an der Vorderseite der Seitenteile Schrauben und Flügelmutter (siehe 3.2 *Hauptkomponenten des Produkts, Seite 38*).



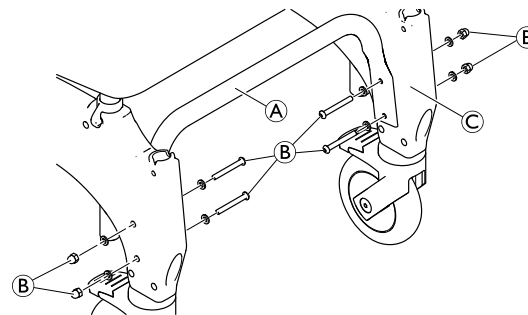
### WARNUNG!

- Vergewissern Sie sich, dass alle Befestigungskomponenten fest angezogen sind.
- Achten Sie darauf, dass der Sitz auf beiden Seiten auf dieselbe Höhe eingestellt ist.
- Stellen Sie die Sitzhöhe nicht ein, während eine Person auf dem Dusch- und Toilettenstuhl sitzt.



1. Heben Sie den Dusch- und Toilettenstuhl an einer Seite am Sitzrahmen etwas an.
2. Entfernen Sie die beiden Clips auf dieser Seite.
3. Drücken Sie den Sitzrahmen in das Seitenteil, um die Sitzhöhe anzupassen.
4. Setzen Sie die Schraube **C** ein.
5. Sichern Sie diese mit der Flügelmutter **D**.
6. Zum Sichern der Rückseite des Seitenteils drücken Sie den Clip **E** von der Innenseite des Rahmens her wieder vollständig ein.
7. Wiederholen Sie die Schritte 1 bis 6 für die andere Seite.

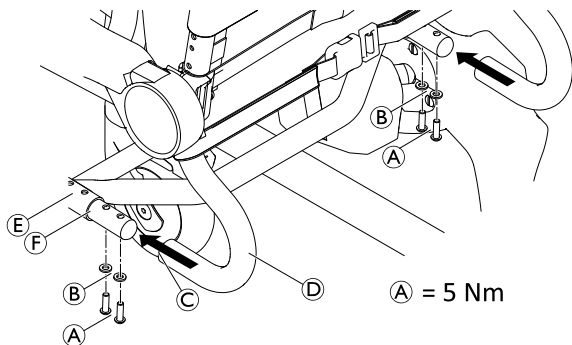
### Anbringen des Basisstabilisierrohrs (nur Ocean Ergo XL)



1. Bringen Sie das Basisstabilisierrohr **(A)** mit den beiliegenden Schrauben und Muttern **(B)** zwischen den Seitenteilen **(C)** an. Vergewissern Sie sich, dass das Stabilisierrohr nach oben zeigt.
2. Ziehen Sie die Schrauben mit einem Drehmoment von 5 Nm fest.

#### 4.2.2 Anbringen der Rückenlehne

1. Bewegen Sie die Fußhebel alle vier Schwenkrollen nach unten, um sie zu verriegeln.



2. Drücken Sie die Rückenlehne **(D)** von hinten in den Sitzrahmen **(E)**, bis der Abschluss **(C)** der Rückenlehne das Sitzrahmenrohr **(F)** berührt.
3. Setzen Sie auf jede der Schrauben **(A)** eine Unterlegscheibe **(B)** auf, und fixieren Sie die Rückenlehne auf beiden Seiten unter Verwendung des mitgelieferten Inbusschlüssels mit einem Drehmoment von 5 Nm.

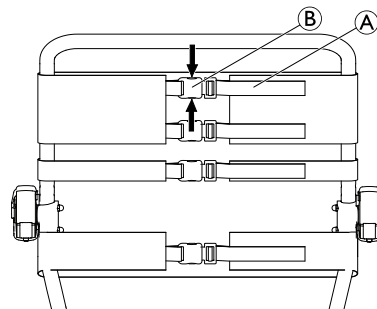


#### WICHTIG!

- Kontrollieren Sie regelmäßig, ob die Schrauben fest angezogen sind.

#### Anpassen des Rückenlehnenbezugs

Die Spannung des Rückenlehnenbezugs lässt sich nach Bedarf einstellen.



#### WARNUNG!

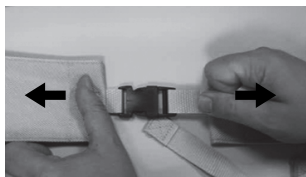
- Achten Sie darauf, dass stets mindestens drei Gurte (von außen) um den Rückenlehnenrahmen geführt werden und die Gurtverschlüsse fixiert sind.

Straffen:

1. Ziehen Sie die Gurte **(A)** des Rückenlehnenbezugs straffer.

Lockern:

1. Öffnen Sie die Gurtverschlüsse ⑥, indem Sie die Haltelaschen zusammendrücken (Pfeile).
2. Schieben Sie die Gurte ein Stück durch den Gurtverschluss zurück.
3. Fixieren Sie die Gurtverschlüsse.
4. Ziehen Sie die Gurte vorsichtig wieder fest.



#### **WARNUNG!**

#### **Verletzungsgefahr durch beschädigte Rückenlehngurtverschlüsse!**

Achten Sie bei jeder Überprüfung oder Wiederaufbereitung des Produkts auf den festen Sitz der Rückenlehngurtverschlüsse.

- Kontrollieren Sie alle Gurtschnallen auf festen Sitz, indem Sie die Schnallen schließen und an beiden Enden ziehen.
- Ersetzen Sie den Rückenlehnenbezug bzw. die Gurtverschlüsse, wenn sich ein Gurtverschluss unter der angewandten Kraft öffnet.

### **4.2.3 Anbringen und Entfernen der Sitzplatte**

#### **Anbringen**

1. Setzen Sie die Sitzplatte mit dem Einschnitt nach vorne auf den Sitzrahmen.
2. Drücken Sie die Sitzplatte mit der flachen Hand zunächst an den Seiten, dann vorne und hinten nach unten, bis sie im Sitzrahmen einrastet.

#### **Entfernen**

1. Ziehen Sie die Sitzplatte an der Rückseite nach oben.

### **4.2.4 Einstellungen der Armlehnenhöhe**

1. Öffnen Sie den Gurtverschluss des Rückenlehnenbezugs, der an der Innenseite des Rückenlehnenrahmens vorbeigeführt wird.
2. Öffnen Sie den Gurtverschluss am Rückenlehnenbezug; dieses befindet sich oberhalb der Armlehne.



Bei der Anpassung in eine niedrigere Position muss der Gurt unter der Armlehne geöffnet werden.

3. Führen Sie diesen Gurt an der Innenseite des Rückenlehnenrahmens vorbei und schließen Sie ihn wieder.

4.

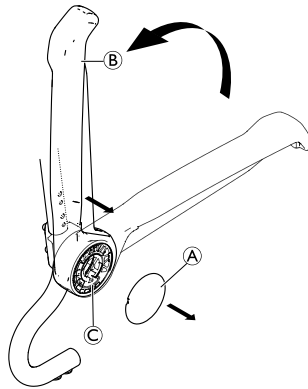


Fig. 4-1

Entfernen Sie die Kappe (A).

5. Klappen Sie die Armlehne (B) hoch, um sie von der Armlehnenhalterung (C) abzuziehen.

6.

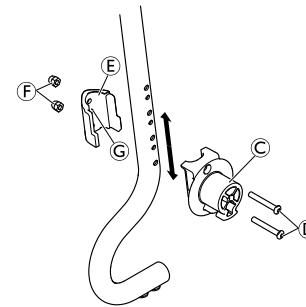




Fig. 4-2

Entfernen Sie die Schrauben (D) aus der Armlehnenhalterung (C) mit dem mitgelieferten Inbusschlüssel.

7. Entfernen Sie die Sicherungsklemme (E) mit den Muttern (F) an der Innenseite des Rückenlehnenrahmens.

 Die Muttern sind lose in die Sicherungsklemme eingesetzt und können herausfallen.

8. Um die Armlehnenhalterung und die Sicherungsklemme wieder an der gewünschten Position anzubringen, setzen Sie die Schrauben (D) in die Armlehnenhalterung ein und führen Sie sie durch die gewünschten Löcher im Rückenlehnenrahmen.

 Die kleineren Löcher auf der Innenseite des Rückenlehnenrahmens fixieren die Sicherungsklemme.

9. Setzen Sie die Sicherungsklemme so ein, dass die Fixierung (G) der Sicherungsklemme in die kleinere Bohrung einrastet.

10. Ziehen Sie die Schrauben ④ mit 5 bis 6 Nm und die Muttern ⑤ an.

11.

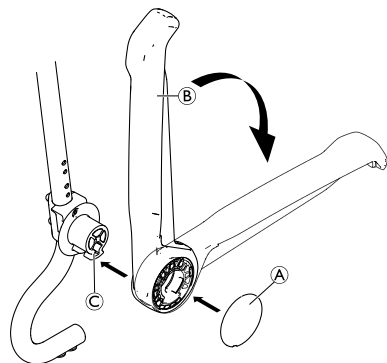


Fig. 4-3

Montieren Sie die Armlehne ⑥ wieder an der Montagehalterung ③.

12. Klappen Sie die Armlehne nach unten.

13. Bringen Sie die Kappe ⑦ wieder an.

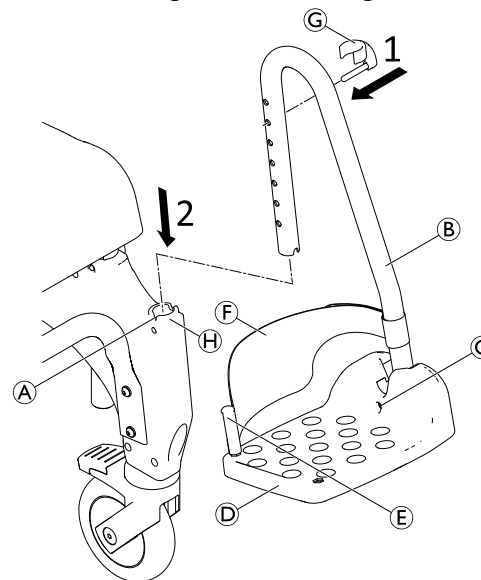
14. Führen Sie den offenen Gurt des Rückenlehnenbezugs außen am Rückenlehnenrahmen vorbei, schließen Sie die Gurtverschlüsse, und spannen Sie alle Gurte.

15. Rechte und linke Armlehne werden auf dieselbe Weise verstellt.



Für die Anbringung von Zubehör/Optionen lässt sich der dritte Gurt von oben öffnen, so dass der Rückenlehnenbezug von innen durch den Rückenlehnenrahmen geführt werden kann.

#### 4.2.5 Anbringen der Fußauflagen




1. Setzen Sie den Stift der Klemme ⑧ von außen in die vorgesehenen Löcher an der Fußauflage ⑥ ein. Achten Sie darauf, dass die Klemme das Rohr umschließt.
2. Schieben Sie die Fußauflage in die Führung ⑨ vorne am Seitenteil ein, bis der Stift der Klemme ⑧ in die Kerbe ⑩ eingreift. Die Fußauflage lässt sich nun nicht mehr zur Seite drehen.




Der Montagevorgang ist für die rechte und linke Fußauflage identisch.

## Einstellen der Fußauflagenhöhe

 Die Fußauflagen können ggf. gekürzt werden (siehe Servicehandbuch). Die Kürzung der Fußauflagen darf nur von einem qualifizierten Techniker vorgenommen werden.

1. Ziehen Sie die Fußauflage **B** leicht nach oben.
2. Ziehen Sie die Klemme **C** aus dem Loch in der Fußauflage und setzen Sie sie in das entsprechende Loch ein. Ziehen Sie die Fußauflage bei Bedarf ein Stück weiter heraus.
3. Schieben Sie die Fußauflage nach unten, bis der Stift von Clip **C** in der Aussparung **A** sitzt.
4. Stellen Sie die andere Fußauflage wie beschrieben auf die erforderliche Höhe ein.

## Einstellen der Fußplattenneigung

 Die Neigung der Fußplatten ist unbegrenzt stufenlos verstellbar.

1. Lösen Sie mit einem 4-mm-Inbusschlüssel die Inbusschraube **C** an der Fußplatte.
2. Drehen Sie die Fußplatte **D** in die erforderliche Position.
3. Ziehen Sie die Inbusschraube wieder fest.

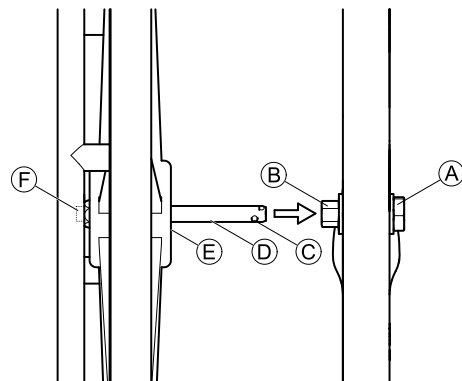
## 4.3 Montage von Zubehörteilen und Optionen



### WARNUNG! Verletzungsgefahr

– Die Montage von Zubehör und Optionen muss den entsprechenden Anweisungen gemäß erfolgen.

### 4.3.1 Anbringen/Abnehmen der Selbstfahrräder



#### ! HINWEIS!

- Wenn die Selbstfahrräder angebracht sind, müssen die hinteren Schwenkrollen gesperrt bleiben, um eine Kollision zwischen Schwenkrolle und Rad zu verhindern.
- Die Naben und die Feststellbremsen für die Selbstfahrräder müssen von einem qualifizierten Techniker montiert werden.

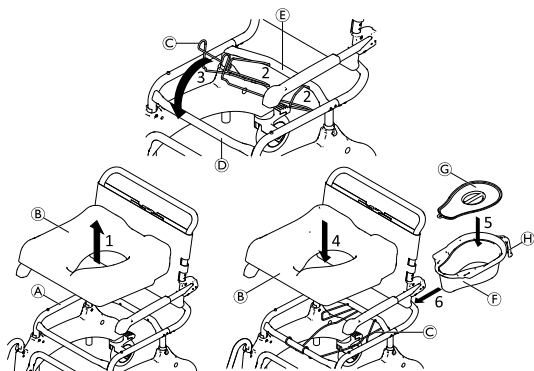
1. Richten Sie alle vier Schwenkrollen in Fahrtrichtung aus.
2. Sperren Sie alle Schwenkrollen.
3. Drücken Sie die Achse **D** am Selbstfahrrad nach innen. (Die Greifringe zeigen nach außen.)
4. Halten Sie den Knopf **F** an der Außenseite der Achse gedrückt. Dabei werden die Sperrkugeln **C** am Ende der Achse entsperrt.
5. Heben Sie den Dusch- und Toilettenstuhl etwas an.



6. Führen Sie die Achse in die Nabe **B** ein und schieben Sie das Selbstfahrrad bis zum Anschlag **E** auf die Achse.
7. Lassen Sie den Knopf **F** wieder los.
8. Überprüfen Sie, ob die Sperrkugeln sich hinter der Sechskantmutter **A** befinden.
9. Die Montage ist für das rechte und linke Selbstfahrrad identisch.

Führen Sie die Schritte zum Abnehmen der Räder in umgekehrter Reihenfolge aus.

### 4.3.2 Befestigen/Entfernen der Toilettentopfhalterung und des Toilettentopfs



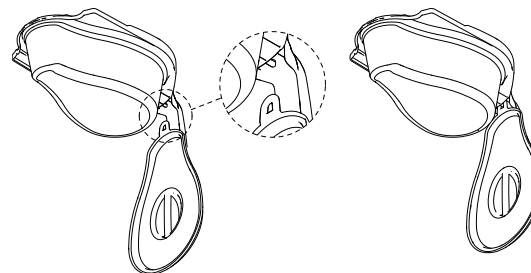
**i** Der Toilettentopf **F** kann mit oder ohne Deckel **G** eingesetzt/entfernt werden.

1. Nehmen Sie den Sitz **B** aus dem Rahmen **A** heraus.
2. Positionieren Sie die Enden der Toilettentopfhalterung **C** in den Öffnungen des hinteren Querrohrs **E**.

3. Lassen Sie den vorderen Teil der Toilettentopfhalterung in das vordere Querrohr **D** einrasten.
4. Setzen Sie den Sitz wieder in den Rahmen ein.
5. Bringen Sie den Deckel am Toilettentopf an bzw. entfernen Sie ihn.
6. Halten Sie den Toilettentopf **H** am Griff fest und setzen Sie ihn von der Rückseite her zwischen der Toilettensitzhalterung und dem Sitz ein.

**i** Drücken Sie beim Einsetzen/Entfernen leicht auf den Toilettentopf.

**i** Der Deckel kann am Kunststoffhaken an der Unterseite des Toilettentopfgriffs aufgehängt werden.



## 5 Verwenden

### 5.1 Sicherheitsinformationen



#### **WARNUNG!**

- Verwenden Sie den Dusch- und Toilettenstuhl nur auf ebenen Flächen in Innenräumen.
- Beachten Sie die Angaben auf dem Typenschild. Der Dusch- und Toilettenstuhl darf nicht überlastet werden.
- Beachten Sie das Sicherheitsetikett am Griff der Rückenlehne (2.2 *Etiketten und Symbole am Produkt, Seite 36*).
- Führen Sie vor jeder Verwendung des Produkts eine Sichtkontrolle auf äußere Schäden durch.
- Überprüfen Sie die Funktion der Feststellbremse regelmäßig (nur bei optionalen Selbstfahrrädern).



#### **WARNUNG!**

##### **Rutsch- und Rollgefahr**

- Stellen Sie vor der Verwendung sicher, dass der Sitz fest am Sitzrahmen befestigt ist.
- Verriegeln Sie alle mit Hebeln versehenen Schwenkrollen vor dem Hinsetzen oder Aufstehen aus dem Dusch- und Toilettenstuhl sowie in der Parkposition mithilfe der Fußhebel.
- Betätigen Sie die Feststellbremse, wenn die Selbstfahrräder (optional) montiert sind.



#### **WARNUNG!**

##### **Kippgefahr**

- Drehen Sie vor dem Hinsetzen oder Aufstehen die Fußstützen zur Seite oder klappen Sie die Fußplatten nach oben.
- Drehen Sie vor dem Hinsetzen oder Aufstehen die vorderen Schwenkräder so, dass die Sperrvorrichtung nach vorne weist.
- Stellen Sie sich niemals auf die Fußstützen.
- Lehnen Sie sich niemals übermäßig nach vorn.



#### **WARNUNG!**

##### **Kippgefahr**

- Der Dusch- und Toilettenstuhl darf ausschließlich unter Verwendung der Schiebbestange oder der Selbstfahrräder (optional) bewegt werden.



#### **VORSICHT!**

##### **Verbrennungsgefahr für die Haut**

- Die Komponenten des Produkts können sich aufheizen, wenn sie externen Wärmequellen ausgesetzt werden.
- Denken Sie daran, dass sich Oberflächen des Dusch- und Toilettenstuhls bei Verwendung in der Sauna oder bei Kontakt mit heißem Wasser aufheizen können.
  - Setzen Sie das Produkt vor Gebrauch keiner direkten Sonneneinstrahlung aus.

**VORSICHT!****Einklemm- oder Quetschgefahr**

Zwischen Hinterrad und Feststellbremse kann ein schmaler Spalt vorhanden sein, bei dem die Gefahr besteht, sich die Finger einzuklemmen.

- Halten Sie die Finger von beweglichen Teilen fern, wenn Sie die Bremse betätigen. Lassen Sie die Hand stets am Bremshebel.

**VORSICHT!****Einklemmgefahr**

– Bei Verwendung der Selbstfahrräder (optional) stecken Sie die Finger nicht zwischen die Speichen oder zwischen die Selbstfahrräder und den Sitzrahmen, wenn der Sitzrahmen in Bewegung ist.

**HINWEIS!****Gefahr einer Beschädigung des Produkts**

– Heben Sie den Dusch- und Toilettenstuhl nicht an den Fußstützen, Armlehnen oder anderen Zubehörteilen/Optionen an.



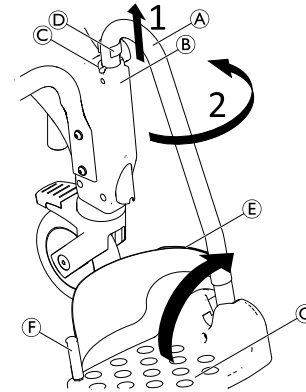
Für Anwender, bei denen die Gefahr besteht, dass sie sich auf die Fußstützen stellen (z. B. Demenz-Patienten), ist ein vorderer Kippschutz (Option) verfügbar. Dieser verhindert, dass der Dusch- und Toilettenstuhl nach vorne kippt.

## 5.2 Armlehnen hochklappen



**VORSICHT!****Einklemmgefahr von Fingern**

– Stecken Sie die Finger nicht zwischen Armlehne und Rückenlehne, wenn Sie die Armlehnen hochklappen.

## 5.3 Drehen der Fußauflagen

**Position beim Einsteigen/Verlassen:**

1. Ziehen Sie die Fußauflage **A** in der Führung **B** ein Stück nach oben, bis der Stift der Klemme **D** nicht mehr in die Kerbe **C** eingreift.
2. Drehen Sie die Fußauflage zur Seite.




 Alternativ können die Fußplatten  auch nach oben geschwenkt werden, um sich auf den Dusch- und Toilettenstuhl zu setzen bzw. von diesem aufzustehen.

#### Fahrposition:






#### VORSICHT!


**Unfallgefahr bei nicht fixierter Fußauflage**  
– Fußauflagen in der Fahrposition fixieren.

1. Drehen Sie die Fußauflage  nach innen.
2. Schieben Sie die Fußauflage nach unten, bis der Stift an der Klemme  in der Kerbe  einrastet.

#### Lösen/Befestigen des Fersenbands

1. Öffnen Sie das Klettband  am Fersenband.
2. Lösen Sie die Schraube  an der Unterseite der Fußplatte.
3. Lösen Sie das Fersenband vom flexiblen Kunststoffstift.

 Führen Sie zum Befestigen des Bands die Schritte in umgekehrter Reihenfolge aus.

 Achten Sie beim Anbringen darauf, dass das Klettband am Fersenband nach hinten weist.

## 5.4 Arretieren/Entsperren der Schwenkrollenverriegelungen

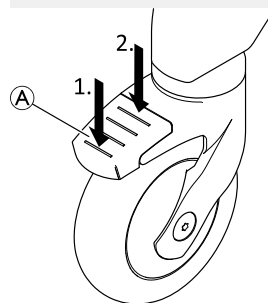



#### VORSICHT!

#### Einklemmungs- und Quetschungsgefahr

Alle Schwenkrollenverriegelungen werden per Fuß bedient.

– Die Schwenkrollenverriegelungen nicht per Hand bedienen.




1. Um die Verriegelungen der Schwenkrollen zu arretieren, treten Sie auf das hintere Ende des Pedals , bis es einrastet.



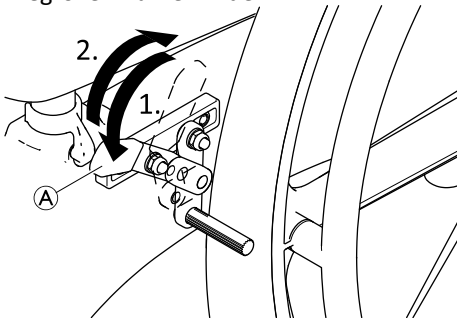
Die Schwenkrolle ist jetzt in der Position fixiert und kann nicht mehr geschwenkt werden.

2. Um die Verriegelungen der Schwenkrollen zu lösen, treten Sie auf das vordere Ende des Pedals, bis es sich löst.

-  Die Schwenkrolle mit blauem Pedal (optionale Richtungsverriegelung) aktiviert die Schwenkverriegelung für eine leichtere Bewegung in gerader Linie.

## 5.5 Betätigen/Lösen der Feststellbremsen

Die Feststellbremsen dienen dazu, den Dusch- und Toilettenstuhl mit 24"-Rädern im Stand zu fixieren und ein Wegrollen zu verhindern.



1. Zum Betätigen der Feststellbremse drücken Sie den Bremshebel **A** so weit wie möglich nach vorne.
2. Zum Lösen der Feststellbremse ziehen Sie den Bremshebel nach hinten.

## 6 Transport

### 6.1 Sicherheitsinformationen



Das Produkt kann für den Transport in die Einzelteile aus dem Lieferumfang zerlegt werden, siehe Kapitel 3.2 *Hauptkomponenten des Produkts, Seite 38*.

1. Demontage des Produkts: Führen Sie zum Zerlegen des Produkts die Montageschritte in umgekehrter Reihenfolge aus (siehe Kapitel 4 *Inbetriebnahme, Seite 41*).



#### **HINWEIS!**

##### **Gefahr einer Beschädigung des Produkts**

- Das Produkt beim Transport vor Feuchtigkeit schützen.
- Das Produkt keiner direkten Sonneneinstrahlung aussetzen.
- Die in Abschnitt 10.3 *Umgebungsbedingungen, Seite 62* aufgeführten Transport- und Lagerbedingungen beachten.



#### **HINWEIS!**

- Bei diversen Verbindungen kommen selbstsichernde Schrauben/Muttern oder Schraubensicherungslack zum Einsatz. Wenn diese gelöst werden, müssen sie durch neue selbstsichernde Schrauben/Muttern ersetzt bzw. mit neuem Schraubensicherungslack gesichert werden.

## 7 Instandhaltung

### 7.1 Wartung und Inspektion

Für dieses Produkt ist keine Wartung erforderlich, wenn die unten aufgeführten Reinigungs- und Sicherheitsanweisungen beachtet werden.

Um die Funktion und die Sicherheit des Produkts aufrechtzuerhalten, sollten Sie regelmäßig folgende Überprüfungen vornehmen:

- Überprüfen Sie das Produkt und Zubehör/Optionen regelmäßig auf Schäden. Verwenden Sie das Produkt nicht, wenn es defekt ist.
- Wenn Schäden oder Fehlfunktionen vorliegen, sollten Sie sich an den Anbieter wenden.
- Vergewissern Sie sich, dass das Produkt ordnungsgemäß zusammengebaut ist und dass die Schrauben ordnungsgemäß festgezogen wurden.



#### **WARNUNG!**

##### **Gefahr von Verletzungen und Sachschäden**

Ein nicht ordnungsgemäß eingestelltes Produkt kann zu Unfällen und schweren Verletzungen führen.

- Das Produkt darf nur von einem qualifizierten Techniker repariert werden.
- Beschädigte Teile müssen durch einen qualifizierten Techniker ausgetauscht werden.
- Ausschließlich Originalersatzteile von Invacare verwenden.

## 7.2 Reinigung und Desinfektion

### 7.2.1 Allgemeine Sicherheitsinformationen



#### **VORSICHT!**

##### **Kontaminationsgefahr**

- Vorkehrungen für sich selbst treffen und geeignete Schutzausrüstung verwenden.



#### **HINWEIS!**

Falsche Reinigungsmethoden oder -flüssigkeiten können zu einer Beschädigung des Produkts führen.

- Alle verwendeten Reinigungs- und Desinfektionsmittel müssen wirksam und miteinander verträglich sein und das Material schützen, das mit ihnen gereinigt wird.
- Keinesfalls korrodierende Flüssigkeiten (Laugen, Säuren usw.) oder scheuernde Reinigungsmittel verwenden. Wenn in der Reinigungsanweisung nichts anderes angegeben ist, empfehlen wir ein handelsübliches Haushaltsreinigungsmittel (z. B. Geschirrspülmittel).
- Niemals Lösungsmittel (Nitroverdünnung, Aceton usw.) verwenden, die die Struktur des Kunststoffes verändern oder die angebrachten Etiketten angreifen.
- Immer sicherstellen, dass das Produkt absolut trocken ist, bevor es wieder in Gebrauch genommen wird.



Zur Reinigung und Desinfektion in Langzeitpflegeumgebungen oder klinischen Umgebungen die internen Verfahren beachten.

### 7.2.2 Reinigungsintervalle



#### HINWEIS!

Regelmäßige Reinigung und Desinfektion sorgen für einen reibungslosen Betrieb, verlängern die Nutzungsdauer und verhindern Verunreinigungen. Reinigen und desinfizieren Sie das Produkt:

- regelmäßig, sofern es verwendet wird,
- vor und nach jeder Wartung,
- nach Kontakt mit Körperflüssigkeiten,
- vor Benutzung durch einen neuen Patienten.

### 7.2.3 Reinigungsanweisungen

Das Produkt kann mithilfe von handelsüblichen Mitteln gereinigt werden.

#### Reinigung im häuslichen Umfeld

1. Entfernen Sie angebrachte Zubehörteile/Optionen (nur Zubehörteile/Optionen, für die keine Werkzeuge erforderlich sind).
2. Ziehen Sie die Fußstützen aus den Führungen.
3. Nehmen Sie die Sitzplatte und den Rückenlehnenbezug ab.
4. Wischen Sie die Einzelteile mit einem Tuch oder einer Bürste ab und verwenden Sie dabei handelsübliche Reinigungs- und Desinfektionsmittel.
5. Spülen Sie die Teile mit warmem Wasser ab.

6. Trocknen Sie die Teile mit einem Tuch.
7. Bauen Sie das Produkt wie in Kapitel 4 *Inbetriebnahme, Seite 41* beschrieben wieder zusammen.

#### Reinigung in einem klinischen Umfeld



Zusätzlich zu der oben beschriebenen Reinigung empfehlen wir, das Produkt vor dem Gebrauch durch einen anderen Patienten, nach der Anwendungsperiode oder regelmäßig (je nachdem, was früher eintritt) bei

- 90 °C für 1 Minute
- 85 °C für 3 Minuten
- 80 °C für 10 Minuten

im Autoklav zu reinigen.



#### VORSICHT!

##### Verbrennungsgefahr für die Haut

– Lassen Sie das Produkt nach dem Reinigen in der Waschmaschine oder im Autoklav abkühlen.

#### Reinigung des Rückenlehnenbezugs

1. Nehmen Sie den Rückenlehnenbezug ab.
2. Waschen Sie den Rückenlehnenbezug bei max. 60 °C mit einem milden Waschmittel in der Waschmaschine.



#### HINWEIS!

##### Gefahr von Sachschäden

– Waschen bei höheren Temperaturen kann Beschädigungen zur Folge haben.  
– Nicht im Wäschetrockner trocknen.



**HINWEIS!**

Übermäßige Reinigung kann den Stoff schädigen.  
 – Aus hygienischen Gründen empfehlen wir, den Rückenlehnenbezug alle zwei Jahre zu ersetzen.

**Reinigen des Toilettentopfs (optional)**

Der Toilettentopf kann im Autoklav gereinigt werden. Hierfür kommen die folgenden Reinigungszyklen (Temperatur/Dauer) in Betracht:

- 90 °C für 1 Minute
- 85 °C für 3 Minuten
- 80 °C für 10 Minuten

**7.2.4 Desinfektionsanweisungen**

Informationen zu empfohlenen Desinfektionsmitteln und -verfahren finden Sie unter <https://vah-online.de/de/fuer-anwender>.

**Im häuslichen Bereich**

Methode: Befolgen Sie die Anwendungshinweise des verwendeten Desinfektionsmittels und desinfizieren Sie alle zugänglichen Flächen.

Desinfektionsmittel: Haushaltsübliches Desinfektionsmittel.

Trocknen: Das Produkt an der Luft trocknen lassen.

**In der Klinik und Langzeitpflege**

Befolgen Sie die einrichtungsinternen Bestimmungen zum Desinfektionsverfahren und verwenden Sie nur die darin aufgeführten Desinfektionsmittel.

## 8 Nach dem Gebrauch

### 8.1 Lagerung



#### **HINWEIS!**

#### **Gefahr einer Beschädigung des Produkts**

- Das Produkt an einem trockenen Ort lagern.
- Das Produkt nicht in der Nähe von Wärmequellen lagern.
- Das Produkt keiner direkten Sonneneinstrahlung aussetzen.
- Die in Abschnitt 10.3 *Umgebungsbedingungen*, Seite 62 aufgeführten Transport- und Lagerbedingungen beachten.

### 8.2 Wiederaufbereitung

Dieses Produkt ist für die wiederholte Verwendung geeignet. Um das Produkt für einen neuen Benutzer wiederaufzubereiten, sind die folgenden Maßnahmen zu ergreifen:

- Prüfung
- Reinigung und Desinfektion

Ausführliche Informationen finden Sie im Kapitel 7 *Instandhaltung*, Seite 55 sowie im Servicehandbuch zu diesem Produkt.

Stellen Sie sicher, dass die Gebrauchsanweisung zusammen mit dem Produkt übergeben wird.

Das Produkt darf nicht wiederverwendet werden, wenn es beschädigt ist oder Funktionsstörungen vorliegen.

### 8.3 Entsorgung

Handeln Sie umweltbewusst, und lassen Sie dieses Produkt nach dem Ende seiner Lebensdauer über eine lokale Müllverwertungsanlage recyceln.

Demontieren Sie das Produkt und seine Bauteile, damit die verschiedenen Materialien einzeln getrennt und recycelt werden können.

Die Entsorgung und das Recycling von gebrauchten Produkten und Verpackungen müssen in Übereinstimmung mit den einschlägigen Gesetzen und Vorschriften des jeweiligen Landes zur Abfallentsorgung erfolgen. Wenden Sie sich an Ihr Abfallentsorgungsunternehmen, wenn Sie weitere Informationen wünschen.

## 9 Problembehandlung

### 9.1 Erkennen und Beheben von Mängeln

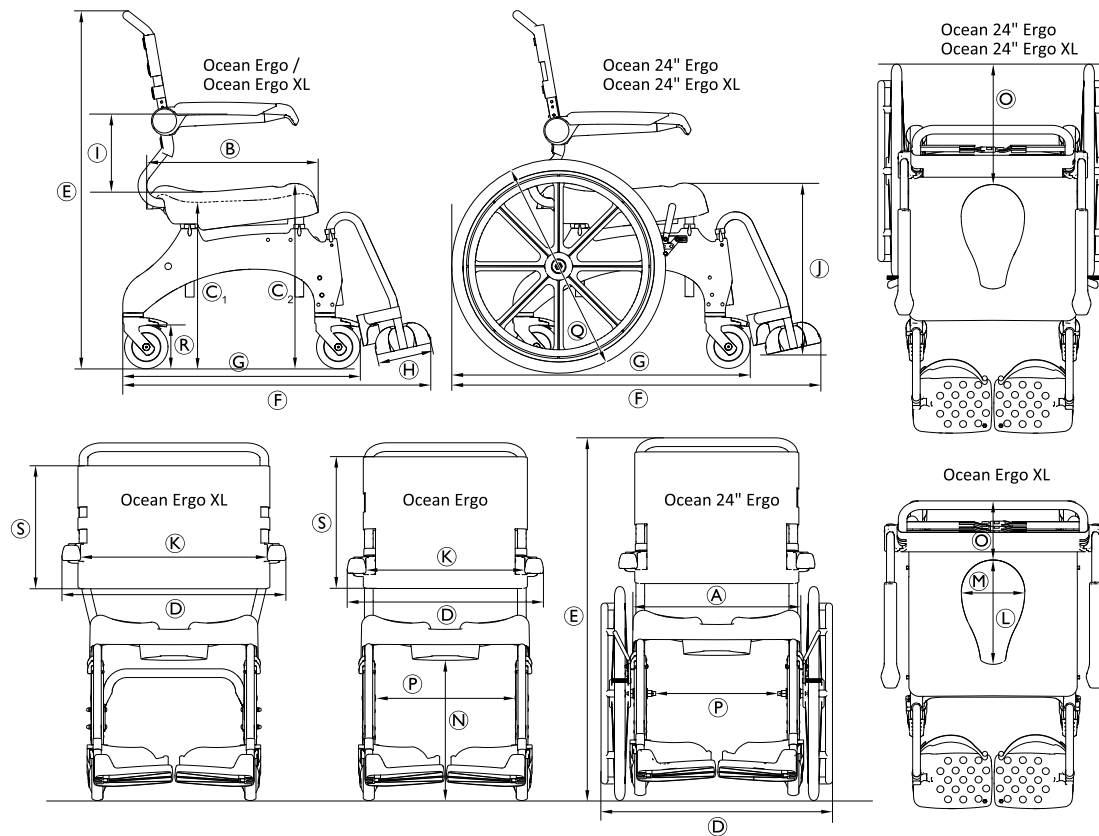


In der folgenden Tabelle finden Sie Informationen zu Mängeln und ihren möglichen Ursachen. Sollte sich der Mangel mit der genannten Abhilfemaßnahme nicht beseitigen lassen, wenden Sie sich bitte direkt an Ihren Fachhändler.

Mangel	Mögliche Ursache	Lösung
Schwierigkeiten beim Einstellen der Sitzhöhe	Schmutz zwischen Sitzrahmen und Seitenteil	Das Produkt in die Teile aus dem Lieferumfang zerlegen und gründlich reinigen.
Die Schwenkräder lassen sich schwer oder gar nicht drehen	Schmutz zwischen Gabel und Felge	Die Schwenkräder gründlich reinigen.
Die Fußauflagen lassen sich nur schwer zur Seite drehen	Ablagerungen in den Führungen	Die Fußauflagen und Führungen gründlich reinigen
Feststellbremse der Räder mit Eigenantrieb (optional) greift nicht	Feststellbremse falsch eingestellt	Die Feststellbremse muss von einem qualifizierten Techniker eingestellt werden.

## 10 Technische Daten

### 10.1 Abmessungen und Gewicht



	Ocean Ergo	Ocean Ergo XL	Ocean 24" Ergo	Ocean 24" Ergo XL
Ⓐ	480 mm			
Ⓑ	480 mm			
Ⓒ <sub>1</sub>	440–600 mm			475–600 mm
Ⓒ <sub>2</sub>	498–658 mm			533–658 mm
Ⓓ	565 mm	645 mm	670 mm	
Ⓔ	985–1145 mm		1010–1170 mm	1045–1170 mm
Ⓕ	905 mm		1050 mm	
Ⓖ	700 mm		850 mm	
Ⓗ	160 mm			
Ⓘ	215 mm/253 mm/290 mm	253 mm/290 mm	215 mm/253 mm/290 mm	253 mm/290 mm
Ⓙ	260–570 mm			295–570 mm
Ⓚ	475 mm	555 mm	475 mm	555 mm
Ⓛ	350 mm (Oberseite)/300 mm (Unterseite)			
Ⓜ	250 mm (Oberseite)/182 mm (Unterseite)			
Ⓝ	365–525 mm			400–525 mm
Ⓞ	200 mm		355 mm	
Ⓟ	405 mm		360 mm	
Ⓠ	—		Æ 24" (610 mm)	
Ⓡ	Æ 5" (127 mm)			
Ⓢ	390 mm	350 mm	390 mm	350 mm

	Ocean Ergo	Ocean Ergo XL	Ocean 24" Ergo	Ocean 24" Ergo XL
Wendekreis	2100 mm		1940 mm	
Wendebereich	1070 mm		1240 mm	
Produktgewicht	17 kg	18 kg	23 kg	24 kg
Maximales Benutzergewicht	150 kg	180 kg	150 kg	180 kg

## 10.2 Materialien

Rahmen	Edelstahl, pulverbeschichtet
Fußauflagenrohr	Edelstahl
Sitzplatte	Polypropylen, glasfaserverstärkt
Rückenlehnenbezug	Nylon, PVC-beschichtet
Fußauflagenplatte / Seitenteile	Polypropylen, glasfaserverstärkt
Armlehne	Polyamid, glasfaserverstärkt
Schwenkräder	Kunststoff und Edelstahl
Lauffläche der 24"-Räder	PUR

Alle Komponenten des Produkts sind korrosionsbeständig und enthalten kein Naturkautschuklatex.

## 10.3 Umgebungsbedingungen

<b>Betriebsbedingungen</b>	
Umgebungstemperatur	10 – 65 °C
Relative Luftfeuchtigkeit	15 % – 93 %, nicht kondensierend
Luftdruck	795 bis 1060 hPa
<b>Transport- und Lagerungsbedingungen</b>	
Umgebungstemperatur	0 – 40 °C
Relative Luftfeuchtigkeit	30 % – 75 %, nicht kondensierend
Luftdruck	795 bis 1060 hPa

# Sommaire

Ce manuel DOIT être remis à l'utilisateur du produit. AVANT d'utiliser ce produit, vous DEVEZ lire ce manuel et le conserver pour pouvoir vous y reporter ultérieurement.

<b>1 Généralités</b>	<b>64</b>
1.1 Introduction	64
1.2 Symboles figurant dans ce document	64
1.3 Informations de garantie	65
1.4 Conformité	65
1.4.1 Normes spécifiques au produit	65
1.5 Durée de vie	65
<b>2 Sécurité</b>	<b>67</b>
2.1 Informations de sécurité	67
2.2 Étiquettes et symboles figurant sur le produit	68
<b>3 Présentation du produit</b>	<b>70</b>
3.1 Utilisation prévue	70
3.2 Pièces principales du produit	70
<b>4 Réglages (Mise en service)</b>	<b>73</b>
4.1 Informations de sécurité	73
4.2 Montage du produit	73
4.2.1 Installation du tube de l'armature du siège pour le réglage de la hauteur	73
4.2.2 Installation du dossier	76
4.2.3 Installation et démontage de la plaque d'assise	77
4.2.4 Réglage de la hauteur de l'accoudoir	77
4.2.5 Installation des repose-pieds	79
4.3 Montage des accessoires et options	79
4.3.1 Mise en place/démontage des roues pour déplacement manuel	80
4.3.2 Fixation/démontage du support de chaise percée et du seau	80

<b>5 Utilisation</b>	<b>82</b>
5.1 Informations de sécurité	82
5.2 Rotation des accoudoirs	83
5.3 Pivot des repose-pieds	84
5.4 Enclenchement/desserrage des freins de roulettes	84
5.5 Embrayage/débrayage des freins de stationnement	85
<b>6 Transport</b>	<b>86</b>
6.1 Informations de sécurité	86
<b>7 Maintenance</b>	<b>87</b>
7.1 Maintenance et inspection	87
7.2 Nettoyage et désinfection	87
7.2.1 Informations de sécurité générales	87
7.2.2 Fréquence de nettoyage	88
7.2.3 Instructions de nettoyage	88
7.2.4 Instructions de désinfection	89
<b>8 Après l'utilisation</b>	<b>90</b>
8.1 Stockage	90
8.2 Reconditionnement	90
8.3 Mise au rebut	90
<b>9 Dépannage</b>	<b>91</b>
9.1 Identification et résolution des pannes	91
<b>10 Caractéristiques Techniques</b>	<b>92</b>
10.1 Dimensions et poids	92
10.2 Matériaux	94
10.3 Paramètres environnementaux	94

# 1 Généralités

## 1.1 Introduction

Le présent manuel d'utilisation contient des informations importantes sur la manipulation du produit. Pour garantir une utilisation en toute sécurité du produit, lisez attentivement le manuel d'utilisation et respectez les instructions de sécurité.

Utilisez ce produit uniquement si vous avez lu et compris ce manuel. Consultez un professionnel de la santé qui connaît votre état de santé et clarifiez toute question concernant l'utilisation correcte et le réglage nécessaire auprès du professionnel de santé.

Veillez noter que certaines sections du présent document peuvent ne pas s'appliquer à votre produit, étant donné que le document concerne tous les modèles disponibles (à la date d'impression). Sauf mention contraire, chaque section de ce document se rapporte à tous les modèles du produit.

Les modèles et les configurations disponibles dans votre pays sont répertoriés dans les documents de vente spécifiques au pays.

Invacare se réserve le droit de modifier les caractéristiques des produits sans préavis.

Avant de lire ce document, assurez-vous de disposer de la version la plus récente. Cette version est disponible au format PDF sur le site Internet d'Invacare.

Si la taille des caractères de la version imprimée du document vous semble trop difficile à lire, vous pouvez télécharger la version PDF sur le site Internet. Vous pourrez

alors ajuster la taille des caractères à l'écran pour améliorer votre confort visuel.

Pour obtenir plus d'informations sur le produit, comme les avis de sécurité ou les rappels du produit, contactez votre distributeur Invacare. Reportez-vous aux adresses indiquées à la fin du présent document.

En cas d'incident grave avec le produit, vous devez en informer le fabricant et l'autorité compétente de votre pays.

## 1.2 Symboles figurant dans ce document

Les symboles et mots d'avertissement utilisés dans le présent document s'appliquent aux risques ou aux pratiques dangereuses qui pourraient provoquer des blessures ou des dommages matériels. Reportez-vous aux informations ci-dessous pour la définition des symboles d'avertissement.



### AVERTISSEMENT

Indique une situation dangereuse qui, si elle n'est pas évitée, est susceptible de provoquer des blessures graves, voire mortelles.



### ATTENTION

Indique une situation dangereuse qui, si elle n'est pas évitée, est susceptible de provoquer des blessures mineures ou légères.



- ! AVIS  
Indique une situation dangereuse qui, si elle n'est pas évitée, est susceptible de provoquer des dommages matériels.
- o Conseils et recommandations  
Donne des conseils, recommandations et informations utiles pour une utilisation efficace et sans souci.

### Autres symboles

(Ne s'applique pas à tous les manuels)



Personne responsable au RU  
Indique si un produit n'est pas fabriqué au Royaume-Uni.



Triman  
Indique les règles de recyclage et de tri (applicable uniquement à la France).

### 1.3 Informations de garantie

Nous fournissons une garantie fabricant pour le produit, conformément à nos conditions générales de vente en vigueur dans les différents pays.

Les réclamations au titre de la garantie ne peuvent être adressées qu'au fournisseur auprès duquel le produit a été obtenu.

### 1.4 Conformité

La qualité est un élément fondamental du fonctionnement de notre entreprise, qui travaille conformément à la norme ISO 13485.

Ce produit porte le label CE et est conforme à la Réglementation sur les dispositifs médicaux de classe I 2017/745.

Ce produit comporte la marque UKCA, en conformité avec la partie II RU MDR 2002 (telle que modifiée) Classe I.

Nous nous efforçons en permanence de réduire au minimum notre impact sur l'environnement, à l'échelle locale et mondiale.

Nous n'utilisons que des matériaux et composants conformes au règlement REACH.

#### 1.4.1 Normes spécifiques au produit

Ce produit a été testé et il est conforme à la norme ISO 17966 (Produits d'assistance pour l'hygiène personnelle soutenant les utilisateurs) et à toutes les normes associées. Les tests effectués incluent des tests d'inflammabilité. Il n'y a pas eu de signes de combustion lente progressive ou de départ de flamme.

Pour des informations complémentaires sur les normes et réglementations locales, contactez un représentant Invacare. Reportez-vous aux adresses indiquées à la fin du présent document.

### 1.5 Durée de vie

La durée de vie attendue de ce produit est de cinq ans lorsqu'il est utilisé quotidiennement et dans le respect des

consignes de sécurité, des intervalles de maintenance et avec une utilisation correcte, comme indiqué dans le présent manuel. La durée de vie effective peut varier en fonction de la fréquence et de l'intensité de l'utilisation.

## 2 Sécurité

### 2.1 Informations de sécurité

**AVERTISSEMENT !****Risque de dommage matériel ou de blessure grave**

Une utilisation inadéquate de ce produit est susceptible d'entraîner des blessures ou des dommages matériels.

- Si vous ne comprenez pas les avertissements, mises en garde ou instructions, contactez un professionnel de santé ou un fournisseur avant d'essayer d'utiliser cet équipement.
- N'utilisez pas ce produit ni tout autre équipement disponible en option sans avoir lu et compris entièrement les présentes instructions et toute autre documentation d'instructions supplémentaire, telle que le manuel d'utilisation, les manuels de maintenance ou fiches d'instructions fournis avec ce produit ou l'équipement en option.

**AVERTISSEMENT !****Risque de blessure**

- Avant chaque utilisation, assurez-vous que le produit n'est pas endommagé et qu'il est correctement monté.
- Avant la première utilisation, nettoyez soigneusement le produit.

**AVERTISSEMENT !****Risque de blessure**

Une utilisation inadéquate de ce produit est susceptible d'entraîner des blessures ou des dommages matériels.

- N'utilisez pas le produit s'il est défectueux.
- En cas de dysfonctionnement, contactez immédiatement votre fournisseur.
- Ne procédez à aucune modification non autorisée et ne transformez pas le produit.
- Utilisez uniquement les accessoires/options conçus pour ce produit.

**AVERTISSEMENT !****Risque de blessure**

Une utilisation inadéquate de ce produit est susceptible d'entraîner des blessures ou des dommages matériels.

- Ne soulevez pas le produit lorsqu'il est sous charge.
- Ne vous mettez pas debout sur le produit.



**ATTENTION !**  
**Risque de blessure**

Des pièces non adaptées ou qui ne sont pas d'origine peuvent affecter le fonctionnement et la sécurité du produit.

- Utilisez uniquement les pièces d'origine du produit utilisé.
- Du fait de différences régionales, vous devez vous reporter au catalogue ou au site Internet Invacare de votre pays pour connaître les options qui sont disponibles ; vous pouvez également contacter un représentant Invacare. Reportez-vous aux adresses indiquées à la fin du présent document.



**NOTE !**

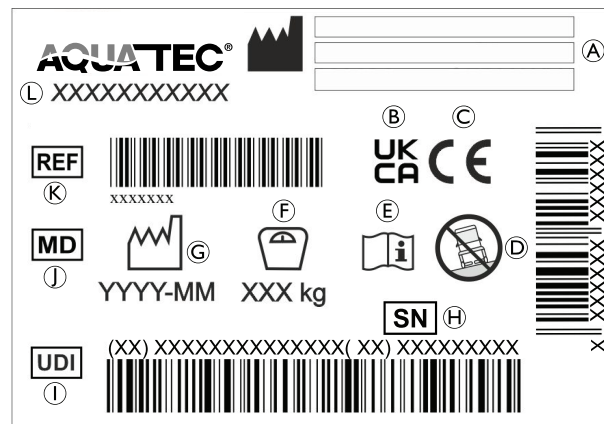
Si ce produit est associé à un autre produit, les restrictions des deux produits s'appliquent à cette association. Par exemple, le poids maximal de l'utilisateur d'un produit dans l'association des deux produits peut être inférieur.

- Utilisez uniquement les associations autorisées par Invacare. Pour plus d'informations, contactez votre distributeur Invacare.
- Avant utilisation, consultez le manuel d'utilisation de chaque produit et vérifiez les restrictions. Pour une utilisation en toute sécurité, il est nécessaire de se conformer entièrement aux informations, instructions et recommandations figurant dans les deux manuels d'utilisation.

**2.2 Étiquettes et symboles figurant sur le produit**

**Autocollant d'identification**

L'autocollant d'identification fournit des informations importantes :




(A)	Adresse du fabricant
(B)	Conformité pour le Royaume-Uni évaluée
(C)	Conformité européenne
(D)	À utiliser uniquement sur un sol uniforme
(E)	Consultez le manuel d'utilisation
(F)	Poids maximal de l'utilisateur
(G)	Date de fabrication

Ⓜ	Numéro de série
①	Identificateur unique de dispositif
Ⓜ	Dispositif médical
Ⓚ	Numéro de référence
Ⓛ	Désignation du produit



L'autocollant d'identification est fixé à l'intérieur de la pièce latérale gauche.

### Étiquettes figurant sur le produit

Les autocollants suivants sont fixés sur la poignée du dossier :	
Étiquette	Description
	<p><b>AVERTISSEMENT !</b></p> <p>Risque de basculement</p> <ul style="list-style-type: none"> <li>- Ne marchez pas sur le repose-pied au moment de monter ou de descendre de la chaise roulante pour douche/toilettes.</li> <li>- Poussez les repose-pieds sur les côtés ou repliez les palettes repose-pieds avant de monter ou de descendre de la chaise roulante pour douche/toilettes.</li> <li>- Avant de vous asseoir ou de vous mettre debout, tournez les roulettes de manière à ce que le blocage soit orienté vers l'avant.</li> <li>- Ne vous penchez pas trop en avant lorsque vous êtes assis dans la chaise roulante pour douche/toilettes.</li> </ul>

## 3 Présentation du produit

### 3.1 Utilisation prévue

Aquatec Ocean Ergo et Aquatec Ocean Ergo XL sont des chaises roulantes pour douche/toilettes dotées d'un châssis en acier inoxydable, d'une hauteur d'assise réglable individuellement, d'un dossier à tension réglable, d'accoudoirs relevables et de palettes repose-pieds texturées, pliables et réglables en angle. Ce produit est également disponible en tant que modèle de roues 24" pour le déplacement manuel.

Ces chaises roulantes pour douche/toilettes sont destinées à aider à des activités d'hygiène corporelle avec ou sans assistance, dans des établissements et à la maison.

La chaise roulante pour douche/toilettes peut être employée dans un bassin si l'eau n'est pas salée et si une tierce-personne est présente à tout moment.

Température d'utilisation (en intérieur uniquement) : 10 °C - 65 °C

#### Utilisateurs prévus

L'utilisateur est la personne assise dans la chaise roulante pour douche/toilettes ou une tierce-personne. L'appareil peut être utilisé pour des adolescents ou adultes dont la taille est supérieure ou égale à 146 cm, dont le poids est supérieur ou égal à 40 kg et dont l'indice de masse corporelle est supérieur ou égal à 16.

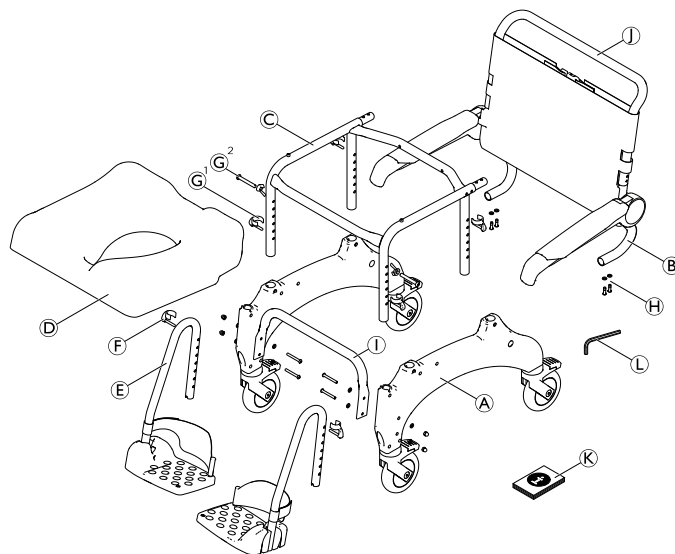
Pour le poids maximal de l'utilisateur autorisé pour le produit, voir *10 Caractéristiques Techniques, page 92*.

### Indications

- Difficultés à rester debout ou à garder l'équilibre,
- faiblesses dans les jambes ou une incapacité des membres inférieurs,
- état de santé altérant l'équilibre.

Il n'existe aucune contre-indication connue, lorsque le produit est utilisé comme prévu.

### 3.2 Pièces principales du produit



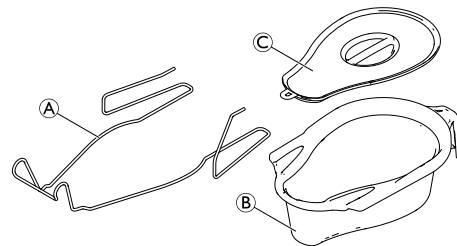
(A)	Pièce latérale avec roulettes (droite et gauche)
(B)	Dossier avec toile de dossier, et accoudoirs

Ⓒ	Châssis de l'assise
Ⓓ	Siège
Ⓔ	Repose-pied avec sangle talonnière (droit et gauche)
Ⓕ	Clips (x2) de repose-pied (inséré)
Ⓖ <sup>1</sup>	Clips (x4) pour le réglage de la hauteur d'assise
Ⓖ <sup>2</sup>	Vis et écrous à oreilles (x2) pour le réglage plus bas de la hauteur d'assise
Ⓕ	Vis et rondelles (x4)
Ⓘ	Tube de stabilisation de la base avec vis (x4), rondelles (x8) et écrous (x4) - Ocean XL uniquement
Ⓙ	Barre de poussée
Ⓚ	Manuel d'utilisation
Ⓛ	Clé Allen AF 4



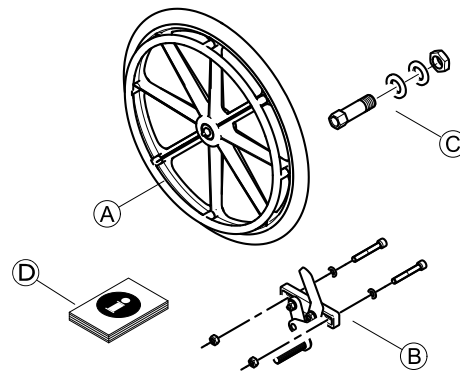
Notez la modification des dimensions lors de l'installation des roues pour déplacement manuel. Pour de plus amples détails, reportez-vous au chapitre 10 *Caractéristiques Techniques*, page 92.

### Support de chaise percée avec seau (en option)



Ⓐ	Support de chaise percée
Ⓑ	Seau
Ⓒ	Couvercle

### Roues pour déplacement manuel avec frein de stationnement (en option)



Ⓐ	Roues pour déplacement manuel (x2)
Ⓑ	Freins de stationnement (x2) avec vis (x4), rondelles (x4) et écrous (x4)
Ⓒ	Moyeux avec axes, rondelles et écrous (x2)
Ⓓ	Instructions de montage



## 4 Réglages (Mise en service)

### 4.1 Informations de sécurité



#### AVERTISSEMENT !

- Vérifiez les pièces afin de vous assurer de l'absence de dommages causés pendant le transport avant toute mise en service. Le cas échéant, contactez votre fournisseur.
- Lors du montage, assurez-vous que les pièces sont correctement positionnées les unes par rapport aux autres.
- Des vis/écrous autobloquants ou un adhésif frein-filet sont utilisés pour plusieurs vissages. S'ils sont desserrés, ils doivent être remplacés par de nouveaux écrous/vis autobloquants ou être refixés avec un nouvel adhésif frein-filet.



#### ATTENTION ! Risque de pincement

- Procédez avec précaution lors du montage.

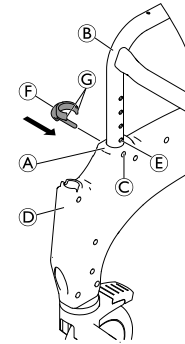
### 4.2 Montage du produit

Cette section aborde le montage. Procédez en sens inverse pour le démontage.



Il faut régler la hauteur des accoudoirs, la hauteur des repose-pieds, l'angle des repose-pieds, la sangle talonnière, la tension de la toile de dossier et les accessoires/options pour répondre de façon optimale aux besoins de l'utilisateur.

#### 4.2.1 Installation du tube de l'armature du siège pour le réglage de la hauteur



1. Retirez les clips fournis ⑥ de la pochette F.
2. Placez l'armature du siège sur son côté.



Appliquez une pression uniforme pour pousser la pièce latérale sur le châssis sans les tordre.

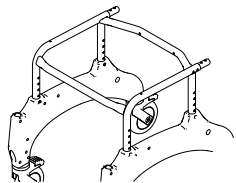


#### IMPORTANT

- Fixez la pièce latérale à la même hauteur à l'avant et à l'arrière.
3. Poussez la pièce latérale ① avec les guides pour les repose-pieds ② vers l'avant sur l'armature du siège ③.



Vérifiez que l'autocollant d'identification est fixé à l'intérieur de la pièce latérale gauche.



Assurez-vous que l'orientation de l'armature du siège est correcte.

4. Alignez les pièces de fixation © situées à l'avant et à l'arrière de la pièce latérale sur le trou de l'armature du siège ⑤.
5. Insérez les clips ⑥ de l'extérieur dans la pièce latérale, jusqu'à ce que les bords du clip ⑦ entourent le tube de l'armature du siège ⑧.



#### IMPORTANT

- Assurez-vous que les quatre clips sont correctement fixés.
- Assurez-vous que les pièces latérales droite et gauche sont réglées à la même hauteur.

6. Tournez l'armature du siège et répétez la procédure de l'autre côté.
7. Placez l'armature du siège avec ses pièces latérales sur les roues.

## Réglage de la hauteur d'assise (sauf les deux positions les plus basses)



#### AVERTISSEMENT !

- Assurez-vous que les quatre clips sont correctement fixés.
- Assurez-vous que le siège est réglé à la même hauteur des deux côtés.
- Ne réglez pas la hauteur d'assise si une personne est assise sur la chaise roulante pour douche/toilettes.

1. Levez légèrement la chaise roulante pour douche/toilettes d'un côté par l'armature du siège ⑨.
2. Retirez les deux clips ⑩ de ce côté.
3. Tirez sur l'armature du siège pour le dégager de la pièce latérale ⑪ ou poussez-le dans la pièce latérale pour régler la hauteur d'assise.
4. Repoussez complètement les deux clips.
5. Répétez les étapes 1 à 4 de l'autre côté.



La hauteur d'assise peut être réglée pour être adaptée à différentes situations, par ex. le transfert depuis un lit ou un fauteuil roulant ou l'utilisation au-dessus des toilettes, etc.

## Réglage de la hauteur d'assise aux deux positions les plus basses



### AVERTISSEMENT !

#### Risque de blessure

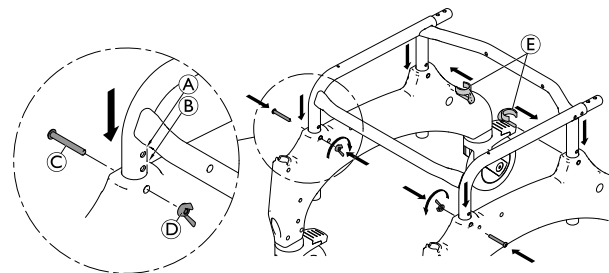
S'il faut régler l'armature du siège aux positions les plus basses possibles **A** ou **B**, un montage incorrect peut entraîner des blessures ou des dommages matériels.

- N'utilisez pas de clips pour fixer l'armature du siège à l'avant des pièces latérales.
- Utilisez des vis et des écrous à oreilles (reportez-vous à la section 3.2 *Pièces principales du produit, page 70*) pour fixer l'armature du siège à l'avant des pièces latérales.



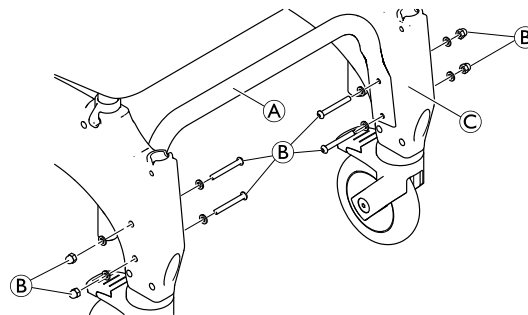
### AVERTISSEMENT !

- Assurez-vous que tous les éléments de fixation sont solidement fixés.
- Assurez-vous que le siège est réglé à la même hauteur des deux côtés.
- Ne réglez pas la hauteur d'assise si une personne est assise sur la chaise roulante pour douche/toilettes.



1. Levez légèrement la chaise roulante pour douche/toilettes d'un côté par l'armature du siège.
2. Retirez les deux clips de ce côté.
3. Poussez l'armature du siège sur la pièce latérale pour régler la hauteur d'assise.
4. Insérez la vis **C**.
5. Fixez avec l'écrou à oreilles **D**.
6. Pour fixer l'arrière de la pièce latérale, repoussez le clip **E** complètement à l'intérieur du châssis.
7. Répétez les étapes 1 à 6 de l'autre côté.

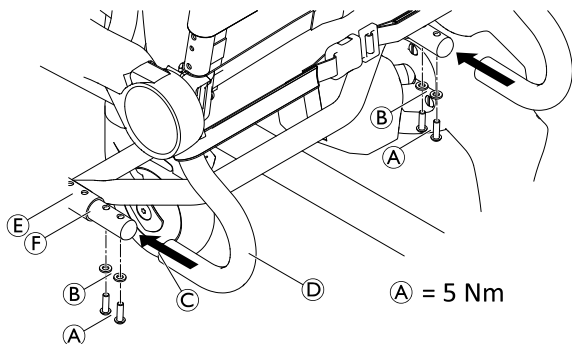
### Installation du tube de stabilisation (Ocean Ergo XL uniquement)



1. Installez le tube de stabilisation de la base (A) entre les pièces latérales (C), à l'aide des vis et des écrous (B) fournis. Assurez-vous que le tube de stabilisation est orienté vers l'avant.
2. Serrez les vis à un couple de 5 Nm.

#### 4.2.2 Installation du dossier

1. Enfoncez les quatre leviers au pied des roulettes pour bloquer celles-ci.



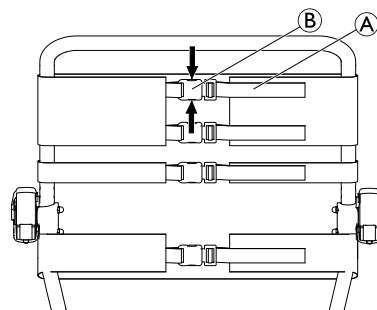
2. Poussez le dossier (D) par l'arrière sur l'armature du siège (E), jusqu'à ce que la bride (C) bute contre le tube de l'armature du siège (F).
3. Placez une rondelle (B) sur chaque vis (A) et fixez le dossier de chaque côté à un couple de 5 Nm à l'aide de la clé Allen fournie.

#### ! IMPORTANT !

– Vérifiez régulièrement les vis afin de vous assurer qu'elles sont fixées correctement.

#### Réglage de la toile de dossier

La tension de la toile de dossier peut être réglée selon les besoins.



#### AVERTISSEMENT !

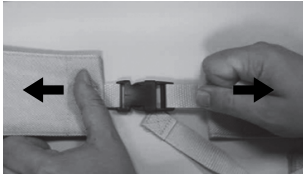
– Veillez à ce qu'au moins trois sangles soient toujours passées autour du cadre du dossier (à l'extérieur) et à ce que les boucles de ceinture soient fermées.

Serrage :

1. Resserrez les sangles (A) de la toile de dossier.

Desserrage :

1. Ouvrez les boucles (B) en comprimant les languettes de fixation (flèches).
2. Allongez légèrement les sangles dans les boucles.
3. Serrez les boucles de ceinture.
4. Resserrez délicatement les sangles.

**AVERTISSEMENT !****Risque de blessure due à des boucles de sangles endommagées sur le dossier !**

Vérifiez que les boucles de sangles du dossier sont solidement fixées à chaque maintenance ou reconditionnement du produit.

- Vérifiez la fixation solide de toutes les boucles en les fermant et en tirant sur leurs extrémités.
- Remplacez le dossier/les boucles de sangles du dossier si une boucle s'ouvre sous l'effet de la force exercée.

**4.2.3 Installation et démontage de la plaque d'assise****Installation**

1. Placez la plaque d'assise sur l'armature du siège avec la découpe orientée vers l'avant.
2. Avec le plat de la main, enfoncez la plaque d'assise sur les côtés, puis à l'avant et à l'arrière jusqu'à ce qu'elle s'enclenche sur l'armature du siège.

**Démontage**

1. Tirez la plaque d'assise vers le haut à l'arrière.

**4.2.4 Réglage de la hauteur de l'accoudoir**

1. Ouvrez la boucle de ceinture de la toile de dossier qui passe à l'intérieur du cadre du dossier.
2. Ouvrez la boucle de ceinture sur la toile de dossier, qui passe au-dessus de l'accoudoir.



Quand la ceinture est positionnée plus bas, la ceinture au-dessous de l'accoudoir doit être ouverte.

3. Faites passer cette sangle à l'intérieur du châssis du dossier et refermez la boucle.
- 4.

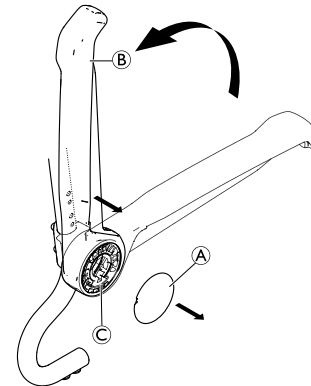


Fig. 4-1

Retirez le chapeau de valve **A**.

5. Repliez l'accoudoir **B** pour le retirer du support d'accoudoir **C**.

6.

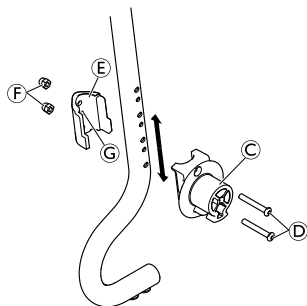




Fig. 4-2

Retirez les vis ④ du support d'accoudoir ③ à l'aide de la clé Allen fournie.

7. Retirez le dispositif de fixation ⑤ et les écrous ⑥ de l'intérieur du cadre du dossier.

 Les écrous sont insérés sans être serrés dans le dispositif de fixation et risquent de tomber.

8. Pour réinstaller le support d'accoudoir et fixer le dispositif de fixation dans la position souhaitée, insérez les vis ④ dans le support d'accoudoir et guidez-les dans les trous souhaités du cadre du dossier.

 Les trous les plus petits à l'intérieur du cadre du dossier permettent de fixer le dispositif de fixation.

9. Placez le dispositif de fixation de manière à ce que la fixation ⑤ du dispositif de fixation s'enclenche dans un trou plus petit.  
10. Serrez les vis ④ à 5 - 6 Nm et les écrous ⑥.

11.

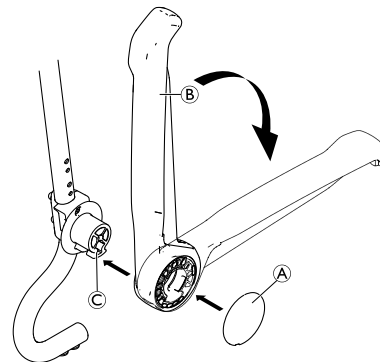



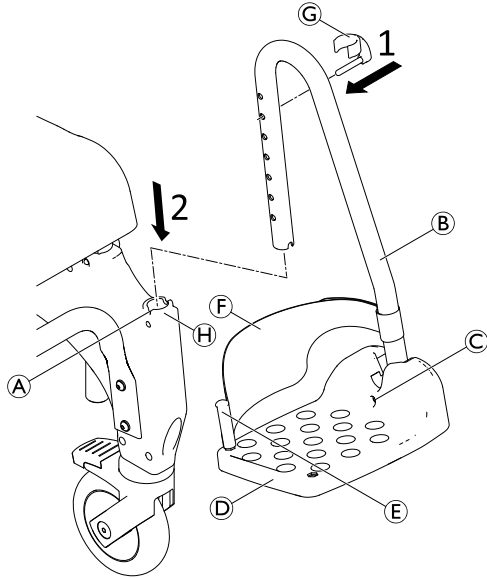
Fig. 4-3

Réinstallez l'accoudoir ② sur le support ③.

12. Repliez l'accoudoir.  
13. Réinstallez le cache ①.  
14. Faites passer la sangle de la toile de dossier toujours ouverte à l'extérieur du cadre du dossier, fermez les boucles de sangle et serrez toutes les sangles.  
15. La procédure de réglage de la hauteur est identique pour l'accoudoir droit et gauche.

 Pour monter des accessoires/options, il est possible d'ouvrir la troisième sangle par le haut et de faire passer la toile de dossier par le cadre du dossier de l'intérieur.

### 4.2.5 Installation des repose-pieds



1. Insérez la broche du clip © par l'extérieur dans le trou souhaité sur le repose-pied ©. Vérifiez que le clip s'enclenche autour du tube.
2. Poussez le repose-pied dans le guide © à l'avant de la pièce latérale jusqu'à ce que la broche du clip © s'engage dans la rainure ©. Le repose-pied ne peut plus être tourné sur le côté.



La procédure de montage est identique pour le repose-pied droit et gauche.

### Réglage de la hauteur des repose-pieds

1639501-F



Les repose-pieds peuvent être raccourcis si nécessaire (reportez-vous au manuel de maintenance). Le raccourcissement des repose-pieds doit impérativement être confié à un technicien qualifié.

1. Tirez légèrement le repose-pied © vers le haut.
2. Tirez le clip © hors du trou du repose-pied et réinsérez-le dans le trou souhaité. Ressortez légèrement le repose-pied si nécessaire.
3. Poussez le repose-pied vers le bas jusqu'à ce que la broche du clip © s'engage dans la rainure ©.
4. Réglez l'autre repose-pied à la hauteur requise, comme décrit.

### Réglage de l'inclinaison des palettes repose-pied



L'inclinaison des palettes repose-pied peut être réglée de façon variable et progressivement.

1. Desserrez la vis Allen © de la palette repose-pieds à l'aide d'une clé Allen de 4.
2. Tournez la palette repose-pieds © à la position requise.
3. Resserrez la vis.

### 4.3 Montage des accessoires et options

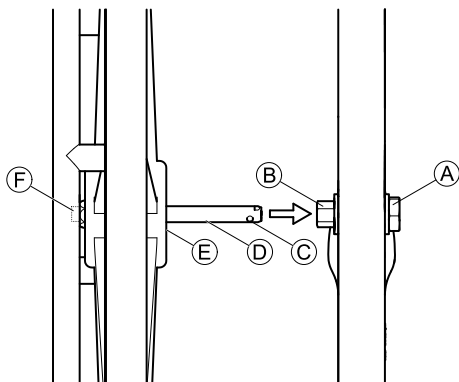


#### AVERTISSEMENT !

#### Risque de blessure

– Il est nécessaire d'effectuer le montage des accessoires et des options conformément aux instructions correspondantes.

### 4.3.1 Mise en place/démontage des roues pour déplacement manuel



4. Maintenez le bouton ⑥ situé à l'extérieur de l'axe enfoncé. Ceci relâche les billes de retenue ③ à l'extrémité de l'axe.
5. Levez légèrement la chaise roulante pour douche/toilettes.
6. Insérez l'axe dans le moyeu ② et poussez la roue pour déplacement manuel sur l'axe jusqu'à la butée d'extrémité ⑤.
7. Relâchez le bouton ⑥.
8. Vérifiez que les billes de retenue sont derrière l'écrou hexagonal ④.
9. Les roues pour déplacement manuel droite et gauche s'installent de la même manière.

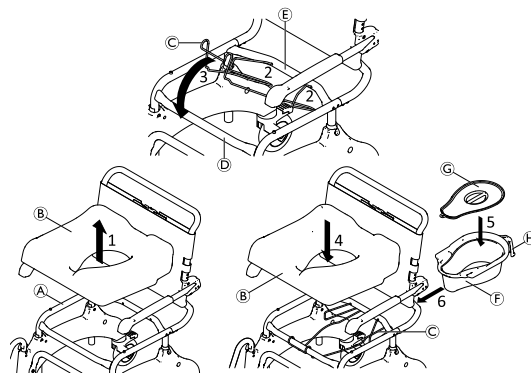
Pour retirer les roues, procédez en sens inverse.

### 4.3.2 Fixation/démontage du support de chaise percée et du seau

#### ! NOTE !

- Lorsque les roues pour déplacement manuel sont montées, les roulettes arrière doivent rester bloquées afin d'éviter toute collision entre la roulette et la roue.
- Les moyeux et les freins de stationnement des roues pour déplacement manuel doivent être installés par un technicien qualifié.


1. Alignez les quatre roulettes dans la direction du mouvement de la chaise.
2. Verrouillez toutes les roulettes.
3. Poussez l'axe ① de la roue pour déplacement manuel vers l'intérieur. (La main courante est dirigée vers l'extérieur.)




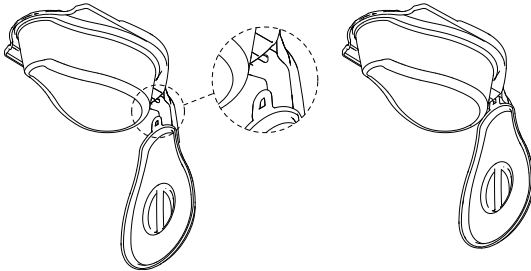
La cuvette de toilettes ⑥ peut être insérée/retirée avec ou sans le couvercle ⑦.



1. Retirez le siège **B** du châssis **A**.
2. Positionnez les extrémités du support de chaise percée **C** dans les trous du tube transversal arrière **E**.
3. Engagez la partie avant du support de chaise percée avec le tube transversal avant **D**.
4. Réinstallez le siège sur le châssis.
5. Placez le couvercle ou retirez-le de la cuvette de toilettes.
6. Tenez la cuvette de toilettes par sa poignée **H** et insérez par l'arrière entre le support de chaise percée et le siège.

 Poussez légèrement vers le bas la cuvette de toilettes lors de l'insertion ou du démontage.

 Le couvercle peut être suspendu sur le crochet en plastique situé sur la face inférieure de la poignée de la cuvette de toilettes.



## 5 Utilisation

### 5.1 Informations de sécurité



#### AVERTISSEMENT !

- Utilisez uniquement la chaise roulante pour douche/toilettes sur une surface plane et à l'intérieur.
- Respectez les spécifications figurant sur l'autocollant d'identification. Ne surchargez pas la chaise roulante pour douche/toilettes.
- Respectez les instructions de sécurité figurant sur l'autocollant apposé sur la poignée du dossier, 2.2 *Étiquettes et symboles figurant sur le produit, page 68*
- Effectuez toujours une inspection visuelle du produit afin de déceler toute détérioration avant chaque usage.
- Vérifiez régulièrement la fonction du frein de stationnement (option pour les roues pour déplacement manuel uniquement).



#### AVERTISSEMENT !

##### Risque de roulement ou de glissement

- Avant utilisation, assurez-vous que le siège est bien fixé à l'armature du siège.
- Verrouillez toutes les roues à levier à l'aide des pédales avant de vous asseoir sur la chaise roulante pour douche/toilettes ou de vous relever, ainsi qu'en position d'arrêt.
- Serrez le frein de stationnement lorsque les roues pour déplacement manuel sont installées (en option).



#### AVERTISSEMENT !

##### Risque de basculement

- Faites pivoter les repose-pieds sur le côté ou repliez les palettes repose-pieds avant de vous asseoir ou de vous mettre debout.
- Avant de vous asseoir ou de vous mettre debout, tournez les roulettes avant de manière à ce que le blocage soit orienté vers l'avant.
- Ne vous tenez jamais debout sur les repose-pieds.
- Ne vous penchez pas excessivement à l'avant.



#### AVERTISSEMENT !

##### Risque de basculement

- La chaise roulante pour douche/toilettes ne doit être déplacée qu'à l'aide de la barre de poussée ou au moyen des roues automotrices (en option).

**ATTENTION !****Risque de brûlure de la peau**

Les composants du produit peuvent s'échauffer en cas d'exposition à des sources de chaleur externes.

- Faites attention aux surfaces portées à haute température lorsque vous utilisez la chaise roulante pour douche/toilettes dans un sauna ou lorsqu'elle est exposée à de l'eau très chaude.
- N'exposez pas le produit au rayonnement direct du soleil avant de l'utiliser.

**ATTENTION !****Risque de pincement ou d'écrasement**

Il existe parfois un tout petit espace entre la roue arrière et le frein de stationnement dans lequel il est possible de se coincer les doigts.

- N'approchez pas les doigts des pièces mobiles lorsque vous utilisez le frein et gardez toujours la main sur le levier de frein.

**ATTENTION !****Risque de pincement**

- Lors de l'utilisation des roues pour déplacement manuel (en option), ne placez pas les doigts entre les rayons ni entre les roues et l'armature du siège pendant le déplacement.

**NOTE !****Risque d'endommagement du produit**

- Ne vous servez pas des repose-pieds, des accoudoirs ou d'accessoires/d'options pour soulever la chaise roulante pour douche/toilettes.

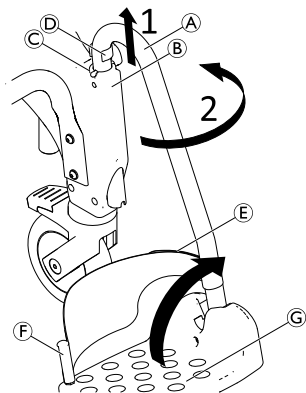


Dans le cas des utilisateurs présentant un risque élevé de monter sur les repose-pieds (par ex. les personnes atteintes de démence), des dispositifs anti-bascule avant (en option) sont disponibles pour empêcher la chaise roulante pour douche/toilettes de basculer en avant.

**5.2 Rotation des accoudoirs****ATTENTION !****Risque de pincement des doigts**


- Ne mettez pas les doigts entre les accoudoirs et le dossier lorsque vous pliez les accoudoirs.

### 5.3 Pivot des repose-pieds



#### Position d'entrée/position de sortie :

1. Tirez légèrement le repose-pied **A** vers le haut dans le guide **B** jusqu'à ce que la broche du clip **D** ne s'engage plus dans la rainure **C**.
2. Faites pivoter le repose-pied sur le côté.

 Il est aussi possible de faire basculer les palettes repose-pieds **G** vers le haut pour entrer/sortir de la chaise roulante pour douche/toilettes.

#### Position de déplacement :



#### **ATTENTION !**

**Risque d'accident provoqué par un repose-pied ballant**

- Fixez que les repose-pieds sont en position de conduite.

1. Faites pivoter le repose-pied **A** vers l'intérieur.
2. Poussez le repose-pied vers le bas jusqu'à ce que la broche du clip **D** s'engage dans la rainure **C**.

#### Démontage/fixation de la sangle talonnière

1. Ouvrez la bande autoagrippante **E** de la sangle talonnière.
2. Retirez la vis **F** du dessous de la palette repose-pieds.
3. Retirez la sangle talonnière de la broche en plastique flexible.



Pour fixer la boucle, procédez en sens inverse.



Lors de l'installation, assurez-vous que la bande autoagrippante de la sangle talonnière est orientée vers l'arrière.

### 5.4 Enclenchement/desserrage des freins de roulettes

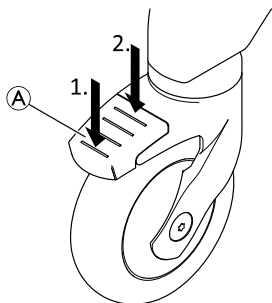


#### **ATTENTION !**


#### **Risque de coincement/pincement**

Tous les dispositifs de verrouillage des roulettes sont actionnés au pied.


- N'actionnez pas les dispositifs de verrouillage des roulettes avec la main.



1. Pour actionner les dispositifs de verrouillage des roulettes, appuyez avec le pied sur l'extrémité arrière de la pédale **A** jusqu'à ce qu'elle s'enclenche.

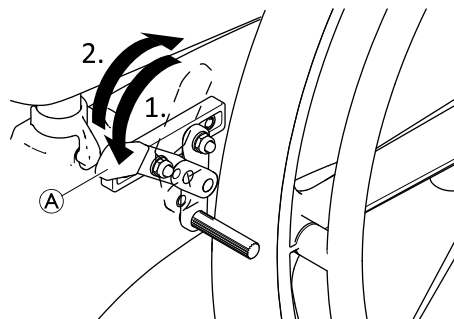
 La roulette est maintenant verrouillée et ne peut plus pivoter.

2. Pour déverrouiller les dispositifs de verrouillage des roulettes, appuyez avec le pied sur l'extrémité avant de la pédale **A** jusqu'à ce qu'elle se libère.

 La roue équipée d'un levier bleu (verrou directionnel en option) enclenche le verrou pivotant pour faciliter un déplacement en ligne droite.

## 5.5 Embrayage/débrayage des freins de stationnement

Les freins de stationnement sont utilisés pour immobiliser la chaise roulante pour douche/toilettes avec des roues de 24" afin de l'empêcher de rouler lorsqu'elle est à l'arrêt.



1. Pour engager le frein de stationnement, poussez le levier de frein **A** vers l'avant aussi loin que possible.
2. Pour débrayer le frein de stationnement, tirez le levier de frein vers l'arrière.

## 6 Transport

### 6.1 Informations de sécurité



Il est possible, en vue du transport, de désassembler le produit pour obtenir les composants fournis à la livraison, voir chapitre 3.2 *Pièces principales du produit*, page 70.

1. Désassemblez le produit : Reportez-vous au chapitre 4 *Réglages (Mise en service)*, page 73 en procédant dans le sens inverse des étapes de montage.



#### **NOTE !**



#### **Risque d'endommagement du produit**

- Transportez le produit dans un endroit sec.
- Conservez le produit à l'abri de la lumière directe du soleil.
- Consultez les conditions de stockage et de transport figurant au chapitre 10.3 *Paramètres environnementaux*, page 94.



#### **NOTE !**



- Des vis/écrous autobloquants ou un adhésif frein-filet sont utilisés pour plusieurs vissages. S'ils sont desserrés, ils doivent être remplacés par de nouveaux écrous/vis autobloquants ou être refixés avec un nouvel adhésif frein-filet.

## 7 Maintenance

### 7.1 Maintenance et inspection

Aucune maintenance du produit n'est nécessaire si les instructions de sécurité et de nettoyage indiquées ci-dessous sont respectées.

Pour garantir une bonne performance et la sécurité, les vérifications suivantes doivent être effectuées régulièrement :

- Vérifiez que le produit et les accessoires/options ne présentent pas de dommages. N'utilisez pas le produit s'il est défectueux.
- En cas de dommage ou de dysfonctionnement, il est recommandé de contacter le fournisseur.
- Assurez-vous que le produit est monté correctement et que les vis sont bien serrées.



#### **AVERTISSEMENT !**

##### **Risque de blessure et de dommage matériel**

Si le produit n'est pas ajusté correctement, il peut provoquer des accidents et des blessures graves.

- Le produit doit être réparé par un technicien compétent.
- Les pièces endommagées doivent être remplacées par un technicien qualifié.
- Utilisez uniquement les pièces de rechange originales Invacare.

## 7.2 Nettoyage et désinfection

### 7.2.1 Informations de sécurité générales



#### **ATTENTION !**

##### **Risque de contamination**

- Prenez toutes les précautions nécessaires pour vous protéger et portez un équipement de protection adéquat.



#### **AVIS !**

Des méthodes ou des liquides inappropriés risqueraient de blesser quelqu'un ou d'endommager le produit.

- Tous les désinfectants et agents de nettoyage utilisés doivent être efficaces, compatibles entre eux et protéger les surfaces qu'ils sont censés nettoyer.
- N'utilisez jamais d'agents de nettoyage corrosifs (alcalins, acides, etc.) ou abrasifs. Nous recommandons d'utiliser un agent de nettoyage ménager ordinaire, comme du liquide vaisselle, sauf indication contraire dans les instructions de nettoyage.
- N'utilisez jamais de solvant (diluant cellulosique, acétone, etc.) qui modifie la structure du plastique ou dissout les étiquettes apposées.
- Procédez à un séchage complet du produit avant toute nouvelle utilisation.



Pour le nettoyage et la désinfection en environnement clinique ou de soins à long terme, suivez les procédures internes.

## 7.2.2 Fréquence de nettoyage



### AVIS !

Une désinfection et un nettoyage réguliers garantissent un bon fonctionnement, augmentent la durée de vie et permettent d'éviter toute contamination. Une désinfection et un nettoyage réguliers garantissent un bon fonctionnement, augmentent la durée de vie et permettent d'éviter toute contamination.

- régulièrement lors de l'utilisation,
- avant et après toute procédure d'entretien,
- lorsqu'il a été en contact avec des fluides corporels, quels qu'ils soient,
- avant de l'utiliser pour un nouvel utilisateur.

## 7.2.3 Instructions de nettoyage

Ce produit peut être nettoyé au moyen de produits disponibles dans le commerce.

### Nettoyage dans un environnement domestique

1. Retirez les éventuels accessoires/options montés (uniquement les accessoires/options qui ne nécessitent pas d'outils).
2. Retirez les repose-pieds des guides.
3. Retirez la plaque d'assise et la toile de dossier.
4. Essuyez les différentes pièces à l'aide d'un chiffon ou d'une brosse et avec des agents de nettoyage et désinfectants disponibles dans le commerce.
5. Rincez ensuite à l'eau chaude.
6. Essuyez les pièces avec un chiffon sec.
7. Remontez le produit ; reportez-vous au chapitre 4 *Réglages (Mise en service)*, page 73.

## Nettoyage dans un environnement clinique



En plus du nettoyage décrit ci-dessus, nous recommandons de nettoyer le produit avant qu'il soit utilisé par un autre patient, à la fin d'une période d'utilisation ou de façon régulière (au premier des deux termes atteint) à

- 90 °C pendant 1 minute
  - 85 °C pendant 3 minutes
  - 80 °C pendant 10 minutes
- à l'autoclave.



### ATTENTION !

#### Risque de brûlure de la peau

- Après le nettoyage, laissez le produit refroidir dans la machine ou l'autoclave.

## Nettoyage de la toile de dossier

1. Retirez la toile de dossier.
2. Lavez la toile en machine à une température maximale de 60 °C et avec un détergent doux.



### NOTE !

#### Risque de dommage matériel

- Le lavage à des températures supérieures peut provoquer des dommages.
- Pas de sèche-linge.



**NOTE !**

Un nettoyage excessif peut endommager le textile.  
 – Nous recommandons de remplacer la toile de dossier tous les deux ans par mesure d'hygiène.

**Nettoyage de la cuvette de toilettes (facultatif)**

Vous pouvez nettoyer la cuvette de toilettes dans un autoclave en respectant les températures et durées suivantes :

- 90 °C pendant 1 minute
- 85 °C pendant 3 minutes
- 80 °C pendant 10 minutes.

**7.2.4 Instructions de désinfection**

Des informations complémentaires sur les méthodes et les désinfectants recommandés peuvent être consultées à l'adresse <https://vah-online.de/en/for-users>.

**Pour les soins à domicile**

Méthode : suivez les consignes d'application du désinfectant utilisé et essuyez toutes les surfaces accessibles pour les désinfecter.

Désinfectant : désinfectant ordinaire à usage domestique.

Séchage : Laissez sécher le produit à l'air.

**Pour les soins cliniques et à long terme**

Suivez vos procédures de désinfection internes et utilisez uniquement les désinfectants et méthodes préconisés.

## 8 Après l'utilisation

### 8.1 Stockage



#### **NOTE !**

#### **Risque d'endommagement du produit**

- Entreposez le produit dans un endroit sec.
- N'entreposez pas le produit près de sources de chaleur.
- Conservez le produit à l'abri de la lumière directe du soleil.
- Consultez les conditions de stockage et de transport figurant au chapitre *10.3 Paramètres environnementaux*, page 94.

### 8.2 Reconditionnement

Ce produit peut être réutilisé. Pour reconditionner le produit en vue de son utilisation par un nouvel utilisateur, il convient d'effectuer les opérations suivantes :

- Examen
- Nettoyage et désinfection

Pour plus d'informations, reportez-vous à la section 7 *Maintenance*, page 87 et au manuel de maintenance de ce produit.

Assurez-vous de remettre le manuel d'utilisation avec le produit.

Si un dommage ou un dysfonctionnement est détecté, le produit ne doit pas être réutilisé.

### 8.3 Mise au rebut

Préservez l'environnement en faisant recycler ce produit en fin de vie dans un centre de recyclage.

Désassemblez le produit et ses composants afin que les différents matériaux puissent être séparés et recyclés individuellement.

La mise au rebut et le recyclage des produits usagés et de l'emballage doivent respecter la législation et les règlements relatifs à la gestion des déchets de chaque pays. Contactez votre organisme local de traitement des déchets pour plus d'informations.

## 9 Dépannage

### 9.1 Identification et résolution des pannes

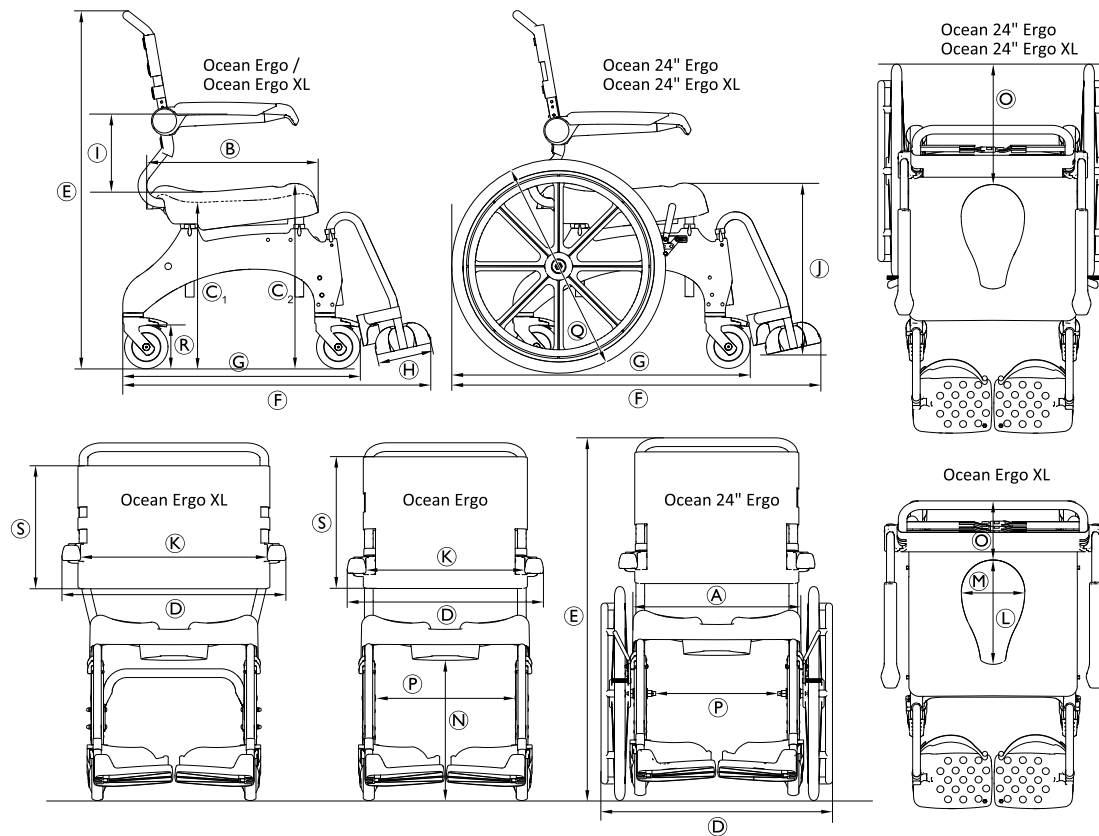


Le tableau suivant fournit des informations sur les défaillances et leurs causes possibles. Si les instructions fournies ne suffisent pas pour remédier au problème, veuillez contacter directement votre revendeur spécialisé.

Défaillance	Cause possible	Solution
Difficulté à régler la hauteur d'assise	Saletés entre l'armature du siège et la section latérale	Désassemblez le produit pour obtenir les composants fournis à la livraison et nettoyez-les méticuleusement
Il est difficile, voire impossible de tourner les roulettes	Saletés entre la fourche et la jante	Nettoyez soigneusement les roulettes
Difficulté à pousser les repose-pieds sur le côté	Dépôts dans les guides	Nettoyez soigneusement les repose-pieds et les guides
Le frein de stationnement des roues pour déplacement manuel (en option) ne s'enclenche pas	Frein de stationnement mal réglé	Le frein de stationnement doit être réglé par un technicien qualifié.

## 10 Caractéristiques Techniques

### 10.1 Dimensions et poids



	Ocean Ergo	Ocean Ergo XL	Ocean 24" Ergo	Ocean 24" Ergo XL
Ⓐ	480 mm			
Ⓑ	480 mm			
Ⓒ <sub>1</sub>	440 mm – 600 mm			475 mm – 600 mm
Ⓒ <sub>2</sub>	498 mm – 658 mm			533 mm – 658 mm
Ⓓ	565 mm	645 mm	670 mm	
Ⓔ	985 mm – 1145 mm		1010 mm – 1170 mm	1045 mm – 1170 mm
Ⓕ	905 mm		1 050 mm	
Ⓖ	700 mm		850 mm	
Ⓗ	160 mm			
Ⓘ	215 mm / 253 mm / 290 mm	253 mm / 290 mm	215 mm / 253 mm / 290 mm	253 mm / 290 mm
Ⓙ	260 mm – 570 mm			295 mm – 570 mm
Ⓚ	475 mm	555 mm	475 mm	555 mm
Ⓛ	350 mm (haut) / 300 mm (bas)			
Ⓜ	250 mm (haut) / 182 mm (bas)			
Ⓝ	365 mm – 525 mm			400 mm – 525 mm
Ⓞ	200 mm		355 mm	
Ⓟ	405 mm		360 mm	
Ⓠ	—		Æ 24" (610 mm)	
Ⓡ	Æ 5" (127 mm)			

	Ocean Ergo	Ocean Ergo XL	Ocean 24" Ergo	Ocean 24" Ergo XL
Ⓢ	390 mm	350 mm	390 mm	350 mm
Diamètre de braquage	2100 mm		1940 mm	
Largeur de retournement	1070 mm		1 240 mm	
Poids du produit	17 kg	18 kg	23 kg	24 kg
Poids maximal de l'utilisateur	150 kg	180 kg	150 kg	180 kg

## 10.2 Matériaux

Châssis	Acier inoxydable, poudré
Tube de repose-pied	Acier inoxydable
Plaque d'assise	Polypropylène, renforcement fibre de verre
Toile de dossier	Nylon, enduit PVC
Palette repose-pieds/pièces latérales	Polypropylène, renforcement fibre de verre
Accoudoir	Polyamide, renforcement fibre de verre

Roulettes	Plastiques et acier inoxydable
Surface de roulement des roues 24"	PUR

Tous les composants du produit sont résistants à la corrosion et exempts de latex de caoutchouc naturel.

## 10.3 Paramètres environnementaux

Conditions de fonctionnement	
Température ambiante	10 °C - 65 °C
Humidité relative	15 % - 93 %, sans condensation
Pression atmosphérique	795 - 1060 hPa

<b>Conditions de stockage et de transport</b>	
Température ambiante	0 °C - 40 °C
Humidité relative	30 % - 75 %, sans condensation
Pression atmosphérique	795 - 1060 hPa





# Sommario

Il presente manuale deve essere fornito all'utilizzatore del prodotto. PRIMA di utilizzare il prodotto, È NECESSARIO leggere il presente manuale e conservarlo per poterlo consultare in futuro.

<b>1 Generale</b>	<b>98</b>
1.1 Introduzione	98
1.2 Simboli in questo documento	98
1.3 Informazioni sulla garanzia.	99
1.4 Conformità	99
1.4.1 Norme specifiche di prodotto	99
1.5 Durata	99
<b>2 Sicurezza</b>	<b>100</b>
2.1 Informazioni per la sicurezza	100
2.2 Etichette e simboli sul prodotto.	101
<b>3 Panoramica del prodotto</b>	<b>103</b>
3.1 Uso previsto	103
3.2 Componenti principali del prodotto	103
<b>4 Messa in servizio</b>	<b>105</b>
4.1 Informazioni per la sicurezza	105
4.2 Montaggio del prodotto	105
4.2.1 Montaggio del tubo del telaio del sedile per la regolazione dell'altezza	105
4.2.2 Montaggio dello schienale	108
4.2.3 Montaggio e smontaggio della piastra del sedile.	109
4.2.4 Regolazione dell'altezza del bracciolo	109
4.2.5 Montaggio dei poggiatesta.	111
4.3 Montaggio di accessori e opzioni	111
4.3.1 Montaggio/smontaggio delle ruote auto-propellenti	112
4.3.2 Inserimento/rimozione del supporto della padella e della padella.	112

<b>5 Uso</b>	<b>114</b>
5.1 Informazioni per la sicurezza	114
5.2 Rotazione dei braccioli.	115
5.3 Rotazione dei poggiatesta	115
5.4 Innesto/disinnesto dei dispositivi di bloccaggio delle ruote orientabili	116
5.5 Innesto/disinnesto dei freni di stazionamento	116
<b>6 Trasporto</b>	<b>118</b>
6.1 Informazioni per la sicurezza	118
<b>7 Manutenzione</b>	<b>119</b>
7.1 Manutenzione e controllo	119
7.2 Pulizia e disinfezione	119
7.2.1 Informazioni generali sulla sicurezza	119
7.2.2 Intervalli di pulizia	120
7.2.3 Istruzioni per la pulizia.	120
7.2.4 Istruzioni per la disinfezione.	121
<b>8 Dopo l'utilizzo</b>	<b>122</b>
8.1 Conservazione.	122
8.2 Ricondizionamento	122
8.3 Smaltimento	122
<b>9 Guida alla soluzione dei problemi</b>	<b>123</b>
9.1 Identificazione e riparazione dei guasti.	123
<b>10 Dati Tecnici</b>	<b>124</b>
10.1 Dimensioni e peso.	124
10.2 Materiali.	126
10.3 Parametri ambientali	126

# 1 Generale

## 1.1 Introduzione

Il presente manuale d'uso contiene informazioni importanti sul trattamento del prodotto. Per garantire la sicurezza di utilizzo del prodotto, leggere attentamente il manuale d'uso e seguire le istruzioni di sicurezza.

Utilizzare questo prodotto solo se il presente manuale è stato letto e compreso. Richiedere un ulteriore consiglio da parte di un operatore sanitario che ha familiarità con le proprie condizioni mediche e chiarire tutte le domande riguardanti l'uso corretto e la regolazione necessaria con il personale medico.

Si noti che alcune sezioni contenute nel presente documento potrebbero non riguardare il proprio prodotto, in quanto il presente documento si applica a tutti i modelli disponibili (alla data di stampa). Se non specificato diversamente, ogni sezione del presente documento si riferisce a tutti i modelli del prodotto.

I modelli e le configurazioni disponibili nel proprio paese sono riportati nei documenti di vendita specifici per paese.

Invacare si riserva il diritto di modificare le specifiche del prodotto senza ulteriore preavviso.

Prima di leggere il presente documento, verificare di essere in possesso dell'ultima versione, disponibile in formato PDF sul sito web Invacare.

Se si ritiene che la dimensione dei caratteri nella versione cartacea del documento sia di difficile lettura, è possibile

scaricare dal sito web la versione in formato PDF. Il PDF può essere ingrandito sullo schermo in modo da ottenere una dimensione dei caratteri più facile da leggere.

Per ulteriori informazioni sul prodotto, ad esempio le note sulla sicurezza del prodotto e i richiami di prodotti, si prega di contattare il proprio distributore Invacare. Vedere gli indirizzi alla fine del presente documento.

In caso di incidente grave relativo al prodotto, è necessario informare il produttore e l'autorità competente nel proprio paese.

## 1.2 Simboli in questo documento

In questo documento tutte quelle situazioni non sicure o pericolose che possono portare a lesioni alle persone o danni ai materiali sono evidenziate mediante simboli e avvertimenti. Qui di seguito sono riportate le spiegazioni di tutti i possibili avvertimenti.



### ATTENZIONE

Indica una situazione pericolosa che, se non evitata, potrebbe essere causa di morte o lesioni gravi.



### AVVERTENZA

Indica una situazione pericolosa che, se non evitata, potrebbe essere causa di lesioni minori o leggere.


**!** **AVVISO**  
Indica una situazione pericolosa che, se non evitata, potrebbe essere causa di danni al prodotto.

**i**  
Consigli e raccomandazioni  
Indica consigli, raccomandazioni e informazioni utili per un uso efficace e senza inconvenienti.

### Altri simboli

(Non applicabile per tutti i manuali)

**UKRP** Persona responsabile per il Regno Unito  
Indica se un prodotto non è fabbricato nel Regno Unito.

 Logo Triman  
Indica norme relative al riciclaggio e alla raccolta differenziata (solo per la Francia).

## 1.3 Informazioni sulla garanzia

Offriamo una garanzia del produttore per il prodotto in conformità di quanto indicato sui Termini e le condizioni generali di vendita applicabili nei rispettivi paesi.

La garanzia può essere fatta valere solo attraverso il fornitore presso il quale è stato acquistato il prodotto.

## 1.4 Conformità

La qualità è fondamentale per l'azienda, che opera nel rispetto e nell'ambito della norma ISO 13485.

Il prodotto è dotato di marchio CE, in conformità al Regolamento Dispositivi Medici 2017/745 Classe I.

1639501-F

Questo prodotto è dotato di marchio UKCA, in conformità alla Parte II del regolamento britannico sui dispositivi medici (MDR) Classe I del 2002 (e successive modifiche).

Lavoriamo costantemente per garantire che l'impatto ambientale dell'azienda a livello locale e globale sia ridotto al minimo.

Garantiamo di utilizzare esclusivamente materiali e componenti conformi alla direttiva REACH.

### 1.4.1 Norme specifiche di prodotto

Il prodotto è stato testato ed è conforme alla norma ISO 17966 (Ausili per l'igiene personale per il sostegno degli utilizzatori) e alle norme correlate. Ciò include le prove relative all'inflammabilità. Non si verifica alcuna accensione a causa della combustione progressiva o dell'accensione di fiamma.

Per ulteriori informazioni sulle norme e le disposizioni locali, contattare il rappresentante locale Invacare. Vedere gli indirizzi alla fine del presente documento.

## 1.5 Durata

La durata prevista per questo prodotto è di cinque anni, a condizione che sia utilizzato quotidianamente e in conformità alle istruzioni per la sicurezza, seguendo gli intervalli di manutenzione e le indicazioni per un uso corretto come indicato nel presente manuale. La durata effettiva può variare a seconda della frequenza e dell'intensità d'uso.

## 2 Sicurezza

### 2.1 Informazioni per la sicurezza



#### **ATTENZIONE!**

##### **Pericolo di lesioni gravi o danni**

Un uso improprio del prodotto può causare lesioni o danni.

- In presenza di messaggi di attenzione, precauzioni o istruzioni di difficile comprensione, contattare il personale medico professionale o il fornitore prima di iniziare a utilizzare questo prodotto.
- Non usare questo prodotto o nessun altro dispositivo opzionale disponibile senza prima aver letto attentamente e compreso fino in fondo le presenti istruzioni e ogni altro materiale informativo, come il manuale d'uso, il manuale per la manutenzione o i fogli di istruzione forniti con questo prodotto o con i dispositivi opzionali.



#### **ATTENZIONE!**

##### **Pericolo di lesioni**

- Prima di ogni utilizzo, controllare che il prodotto non abbia subito danni e assicurarsi che sia ben assemblato.
- Prima del primo utilizzo, pulire accuratamente il prodotto.



#### **ATTENZIONE!**

##### **Pericolo di lesioni**

Un uso improprio del prodotto può causare lesioni o danni.

- Non utilizzare se difettoso.
- In caso di malfunzionamento, contattare immediatamente il fornitore.
- Non apportare modifiche o alterazioni non autorizzate al prodotto.
- Utilizzare solo gli accessori / le opzioni destinati a questo prodotto.



#### **ATTENZIONE!**

##### **Pericolo di lesioni**

Un uso improprio del prodotto può causare lesioni o danni.

- Non sollevare il prodotto quando è sotto carico.
- Non salire in piedi sul prodotto.



#### **AVVERTENZA!**

##### **Pericolo di lesioni**

Componenti non originali o non corretti possono alterare il funzionamento e la sicurezza del prodotto.

- Utilizzare esclusivamente componenti originali per il prodotto in uso.
- In considerazione delle differenze regionali, fare riferimento al catalogo o al sito web locale di Invacare per conoscere le opzioni disponibili oppure contattare il rappresentante locale Invacare. Vedere gli indirizzi alla fine del presente documento.



### SEGNALAZIONE!

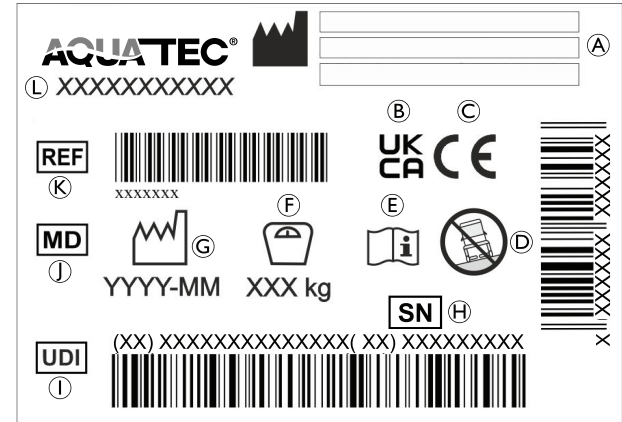
Quando si abbina questo prodotto a un altro prodotto, si applicano le limitazioni di entrambi i prodotti per la combinazione. Ad esempio, il peso utilizzatore massimo di un prodotto nella combinazione può essere inferiore.

- Utilizzare solo le combinazioni consentite da Invacare. Per informazioni, contattare il proprio distributore Invacare.
- Prima dell'uso, leggere il manuale d'uso di ciascun prodotto e verificare le limitazioni. Per un utilizzo sicuro, è necessaria la piena conformità alle informazioni, alle istruzioni e alle raccomandazioni contenute in entrambi i manuali d'uso.

## 2.2 Etichette e simboli sul prodotto


### Etichetta modello

L'etichetta modello riporta informazioni importanti:




(A)	Indirizzo del produttore
(B)	Conformità valutata per il Regno Unito
(C)	Conformità europea
(D)	Per l'uso solo su terreni privi di dislivelli
(E)	Leggere il manuale d'uso
(F)	Peso max. utilizzatore
(G)	Data di produzione
(H)	Numero di serie
(I)	Identificativo univoco del dispositivo
(J)	Dispositivo medico

Ⓚ	Codice di riferimento
Ⓛ	Denominazione del prodotto

 L'etichetta modello è attaccata sul lato interno della parte laterale sinistra.

### Etichette sul prodotto

La seguente etichetta è attaccata sulla maniglia dello schienale:

Etichetta	Descrizione
	<p><b>ATTENZIONE!</b></p> <p>Rischio di ribaltamento</p> <ul style="list-style-type: none"> <li>– Non salire sul poggiatesta quando si sale sulla sedia da doccia e toilette o si scende da essa.</li> <li>– Ruotare lateralmente i poggiatesta o piegare verso l'alto le pedane prima di salire sulla sedia da doccia e toilette o scendere da essa.</li> <li>– Prima di sedersi o di alzarsi, ruotare le ruote orientabili in modo che il dispositivo di bloccaggio sia rivolto in avanti.</li> <li>– Non sporgersi troppo in avanti quando si è seduti sulla sedia da doccia e toilette.</li> </ul>

## 3 Panoramica del prodotto

### 3.1 Uso previsto

Aquatec Ocean Ergo e Aquatec Ocean Ergo XL sono sedie da doccia e toilette mobili con telaio in acciaio inox, altezza del sedile regolabile individualmente, schienale a tensione regolabile, braccioli ribaltabili e pedane con struttura ad angolazione regolabile. Il prodotto è inoltre disponibile come modello a ruote auto-propellenti da 24".

Queste sedie da doccia e da toilette mobili sono progettate per sostenere le attività igieniche personali con o senza assistenza in ambienti ospedalieri e domestici.

La sedia da doccia e da toilette può essere utilizzata come sedia da bagno in una piscina, solo se la piscina non contiene acqua salata e sotto la costante sorveglianza di un assistente.

Temperatura per l'uso (solo al chiuso): 10 - 65 °C

#### Utilizzatori previsti

L'utilizzatore previsto è la persona che si siede nella sedia da doccia e toilette o un accompagnatore. Il dispositivo può essere utilizzato per adolescenti o adulti di altezza uguale o superiore a 146 cm, con peso uguale o superiore a 40 kg e con un indice di massa corporea (BMI) uguale o superiore a 16.

Per il peso utilizzatore massimo del prodotto, vedere la sezione *10 Dati Tecnici, pagina 124*

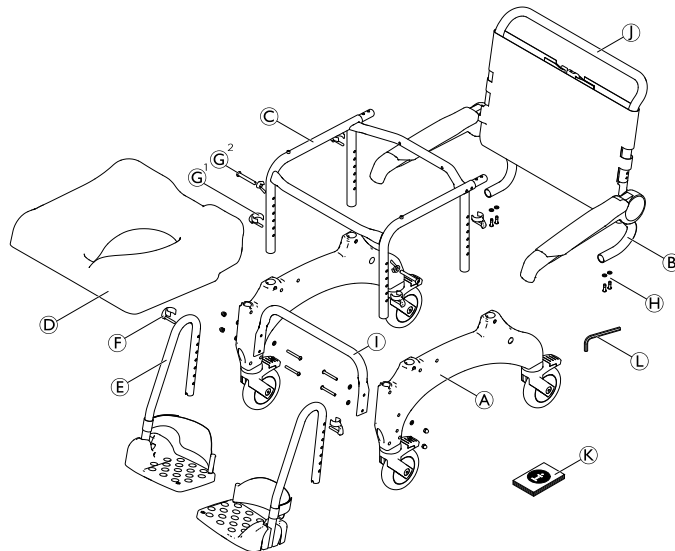
#### Indicazioni

- Difficoltà a stare piedi o a mantenere l'equilibrio,
- gambe deboli o disabilità agli arti inferiori,

- condizioni mediche tali da pregiudicare l'equilibrio.


Se si utilizza il prodotto come previsto, non sono note controindicazioni.

### 3.2 Componenti principali del prodotto

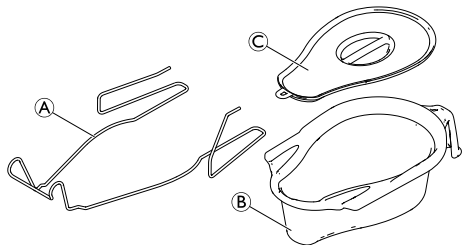


(A)	Parte laterale con ruote orientabili (sinistra e destra)
(B)	Schienale con rivestimento e braccioli
(C)	Telaio del sedile
(D)	Sedile

Ⓔ	Poggiapiedi con cinturino per caviglie (sinistro e destro)
Ⓕ	Morsetti (2x) per poggiapiedi (inserito)
Ⓖ <sup>1</sup>	Fermi (4x) per la regolazione dell'altezza del sedile
Ⓖ <sup>2</sup>	Viti e dadi ad alette (2x) per la regolazione dell'altezza del sedile (abbassamento)
Ⓗ	Viti e rondelle (4x)
Ⓘ	Tubo di stabilizzazione di base con viti (4x), rondelle (8x) e dadi (4x) - solo per Ocean XL
Ⓙ	Barra di spinta
Ⓚ	Manuale d'uso
Ⓛ	Chiave a brugola AF 4

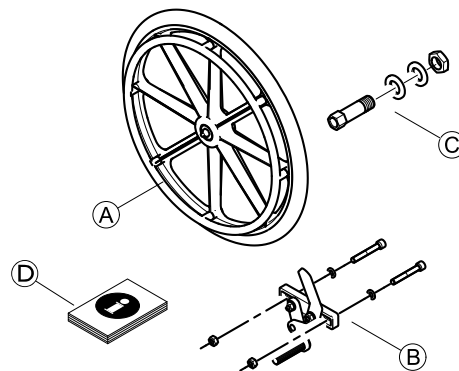
 Si tenga presente la variazione delle dimensioni conseguente all'installazione delle auto-propellenti. Per ulteriori informazioni, consultare il capitolo 10 *Dati Tecnici, pagina 124*

### Supporto per padella con padella (opzionale)



Ⓐ	Supporto per padella
Ⓑ	Padella
Ⓒ	Coperchio

### Ruote auto-propellenti con freno di stazionamento (opzionale)



Ⓐ	Ruote auto-propellenti (2x)
Ⓑ	Freni di stazionamento (2x) con viti (4x), rondelle (4x) e dadi (4x)
Ⓒ	Mozzi inclusi assali con rondelle e dadi (2x)
Ⓓ	Istruzioni di montaggio



## 4 Messa in servizio

### 4.1 Informazioni per la sicurezza



#### ATTENZIONE!

- Prima della messa in servizio, verificare che le parti non presentino danni dovuti al trasporto e contattare il fornitore, se necessario.
- Assicurarsi che durante il montaggio le parti siano posizionate correttamente l'una rispetto all'altra.
- Per numerosi collegamenti vengono usati viti/dadi autobloccanti o adesivo per filettature. Qualora questi elementi risultino allentati, è necessario sostituirli con nuove viti/dadi autobloccanti oppure fissarli con nuovo adesivo per filettature.



#### AVVERTENZA!

#### Rischio di pizzicamento

- Prestare attenzione durante il montaggio.

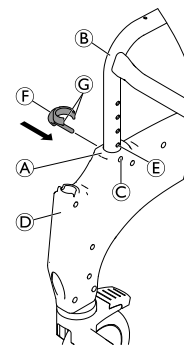
### 4.2 Montaggio del prodotto

Questa sezione descrive il montaggio. Lo smontaggio avviene nell'ordine inverso.



È necessario regolare l'altezza dei braccioli, l'altezza dei poggipiedi, l'angolazione dei poggipiedi, il cinturino per caviglie, il tensionamento del rivestimento dello schienale e gli accessori / le opzioni in modo che si adattino in modo ottimale all'utilizzatore.

#### 4.2.1 Montaggio del tubo del telaio del sedile per la regolazione dell'altezza



1. Togliere i morsetti ⑥ dalla busta.
2. Posizionare il telaio del sedile sul suo lato.



Spingere la parte laterale in modo uniforme sul telaio senza ruotarla.



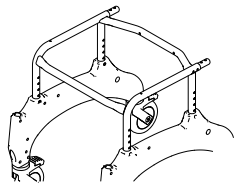
#### IMPORTANTE

- Fissare la parte laterale alla stessa altezza, davanti e dietro.

3. Premere la parte laterale ① con le guide per i poggipiedi ② in avanti sul telaio del sedile ③.



Assicurarsi che l'etichetta modello sia attaccata sul lato interno della parte laterale sinistra.



Assicurarsi che l'orientamento del telaio del sedile sia corretto.

4. Allineare le staffe a morsetto © sulla parte anteriore e posteriore della parte laterale con un foro presente nel telaio del sedile ⑤.
5. Inserire i morsetti ⑥ dall'esterno nella parte laterale, finché i bordi dei morsetti ⑦ non avvolgono il tubo del telaio del sedile ⑤.



#### IMPORTANTE

- Assicurarsi che tutti e quattro i fermi siano serrati saldamente.
- Assicurarsi che le parti laterali destra e sinistra siano regolate alla stessa altezza.

6. Girare il telaio del sedile e ripetere la procedura sulla seconda parte laterale.
7. Dopo aver montato le parti laterali, posizionare il telaio del sedile sulle proprie ruote.

## Regolazione dell'altezza del sedile (escluse le due posizioni più basse)



#### ATTENZIONE!

- Assicurarsi che tutti e quattro i fermi siano serrati saldamente.
- Assicurarsi che il sedile sia regolato alla stessa altezza su entrambi i lati.
- Non regolare l'altezza del sedile mentre c'è una persona seduta sulla sedia da doccia e da toilette.

1. Sollevare leggermente la sedia da doccia e da toilette da un lato del telaio del sedile ⑤.
2. Rimuovere entrambi i morsetti ⑥ da questo lato.
3. Per regolare l'altezza del sedile, estrarre il telaio del sedile dalla parte laterale ① oppure premerlo fino a inserirlo nella parte laterale.
4. Spingere entrambi i morsetti fino in fondo.
5. Ripetere i passaggi 1-4 sull'altro lato.



L'altezza del sedile può essere regolata per adattarsi a diverse situazioni di utilizzo, ad esempio per il trasferimento da un letto o da una carrozzina oppure per l'uso sopra una toilette, ecc.

## Regolazione dell'altezza del sedile nelle due posizioni più basse



### ATTENZIONE! Pericolo di lesioni

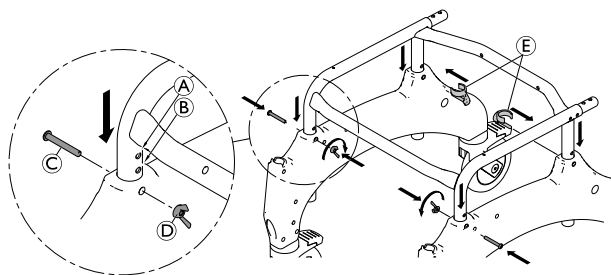
Quando occorre regolare il telaio del sedile nelle due posizioni più basse **A** o **B**, un montaggio errato può causare lesioni o danni.

- Non utilizzare i fermi per fissare il telaio del sedile sulla sezione anteriore degli elementi laterali.
- Utilizzare le viti e i dadi ad alette per fissare il telaio del sedile sulla sezione anteriore degli elementi laterali (fare riferimento a 3.2 *Componenti principali del prodotto, pagina 103*).



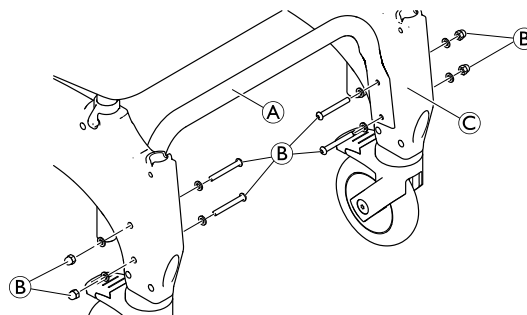
### ATTENZIONE!

- Assicurarsi che tutta la viteria sia ben fissata.
- Assicurarsi che il sedile sia regolato alla stessa altezza su entrambi i lati.
- Non regolare l'altezza del sedile mentre c'è una persona seduta sulla sedia da doccia e da toilette.



1. Sollevare leggermente la sedia da doccia e da toilette su un lato del telaio del sedile.
2. Rimuovere entrambi i fermi da tale lato.
3. Introdurre il telaio del sedile negli elementi laterali per regolare l'altezza del sedile.
4. Inserire la vite **C**.
5. Fissare con il dado ad alette **D**.
6. Per fissare la sezione posteriore dell'elemento laterale re-introdurre completamente il fermo **E** nel telaio.
7. Ripetere i passaggi 1-6 sull'altro lato.

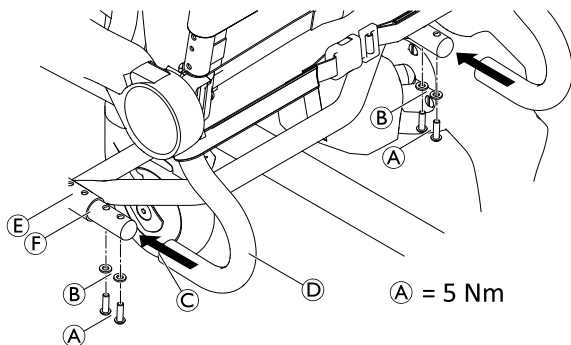
## Montaggio del tubo di stabilizzazione di base (solo per Ocean Ergo XL)



1. Installare il tubo di stabilizzazione di base **A** tra le parti laterali **C** mediante le viti e i dadi in dotazione **B**. Assicurarsi che il tubo di stabilizzazione sia rivolto verso l'alto.
2. Serrare le viti con una coppia di 5 Nm.

## 4.2.2 Montaggio dello schienale

1. Spingere verso il basso tutti e quattro i pedali per bloccare le ruote orientabili.



2. Spingere lo schienale **D** dalla parte posteriore sul telaio del sedile **E**, fino a che la fascetta **C** non tocca il tubo del telaio del sedile **F**.
3. Posizionare una rondella **B** su ogni vite **A** e fissare lo schienale su ciascun lato con una coppia di serraggio di 5 Nm utilizzando la chiave a brugola in dotazione.

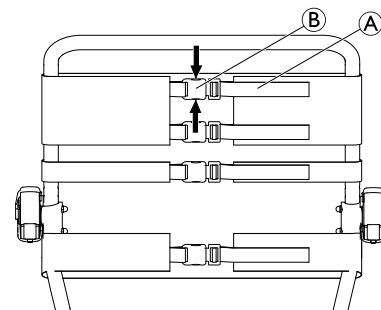


### IMPORTANTE!

- Controllare le viti regolarmente per assicurarsi che siano ben fissate.

### Regolazione del rivestimento dello schienale

È possibile regolare la tensione del rivestimento dello schienale in base alle proprie esigenze.



### ATTENZIONE!

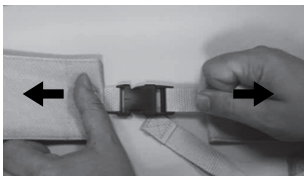
- Assicurarsi che almeno tre cinture siano sempre fatte passare intorno al lato esterno del telaio dello schienale e che le relative fibbie siano fissate.

Tensionamento:

1. Tirare le cinture **A** per tendere maggiormente il rivestimento dello schienale.

Allentamento:

1. Aprire le fibbie **B** premendo le alette di fissaggio (come indicato dalle frecce).
2. Spingere leggermente all'indietro le cinture attraverso la fibbia.
3. Serrare le fibbie delle cinture.
4. Tirare nuovamente le cinture con delicatezza.

**ATTENZIONE!****Pericolo di lesioni dovute a fibbie dello schienale danneggiate!**

Verificare che le fibbie dello schienale siano saldamente fissate ogni volta che il prodotto viene sottoposto a manutenzione e con cadenza annuale.

- Controllare che tutte le fibbie siano fissate in modo sicuro chiudendo le fibbie e tirando da entrambe le estremità.
- Sostituire lo schienale o le fibbie dello schienale se una fibbia si apre quando è sottoposta alla forza applicata.

**4.2.3 Montaggio e smontaggio della piastra del sedile****Montaggio**

1. Posizionare la piastra del sedile sul telaio del sedile con l'apertura rivolta in avanti.
2. Spingere con la mano aperta la piastra del sedile verso il basso sui lati e sulla parte anteriore e posteriore fino a far scattare la piastra del sedile bloccandola nel telaio del sedile.

**Smontaggio**

1. Sollevare la piastra del sedile nella parte posteriore.

1639501-F

**4.2.4 Regolazione dell'altezza del bracciolo**

1. Sul rivestimento dello schienale, aprire la fibbia della cintura che è stata fatta passare all'interno del telaio dello schienale.
2. Sul rivestimento dello schienale, aprire la fibbia della cintura che si trova sopra il bracciolo.



Quando si esegue la regolazione in una posizione più bassa, è necessario slacciare la cintura sotto il bracciolo.

3. Far passare questa cintura all'interno del telaio dello schienale e richiudere.
- 4.

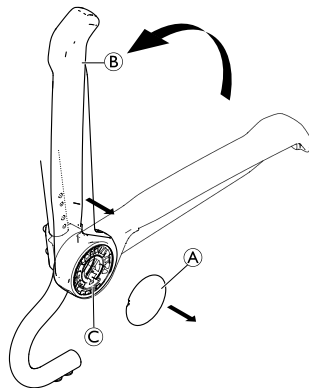


Fig. 4-1

Rimuovere il cappuccio **A**.

5. Piegarlo bracciolo **B** per estrarlo dal staffa del bracciolo **C**.

6.

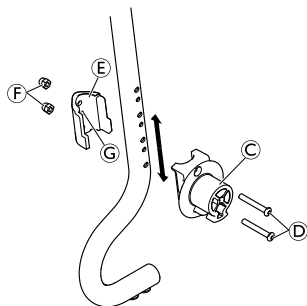


Fig. 4-2

Rimuovere le viti **D** dalla staffa del bracciolo **C** con la chiave a brugola in dotazione.

7. Rimuovere il fermo di fissaggio **E** con i dadi **F** dall'interno del telaio dello schienale.

**i** I dadi sono inseriti nel morsetto di fissaggio senza essere serrati, pertanto possono cadere.

8. Per reinstallare la staffa del bracciolo e fissare il fermo nella posizione desiderata, inserire le viti **D** nella staffa del bracciolo e farle passare attraverso i fori desiderati sul telaio dello schienale.

**i** I fori più piccoli all'interno del telaio dello schienale servono a installare il fermo di fissaggio.

9. Posizionare il fermo di fissaggio in modo che il dispositivo di fissaggio **C** del fermo entri nel foro più piccolo.  
10. Serrare le viti **D** a 5 - 6 Nm e i dadi **F**.

11.

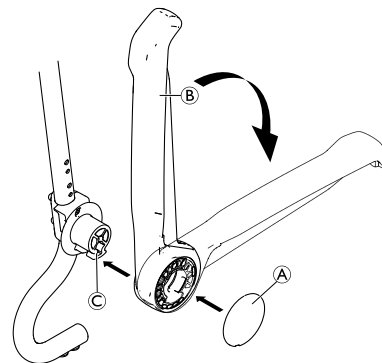


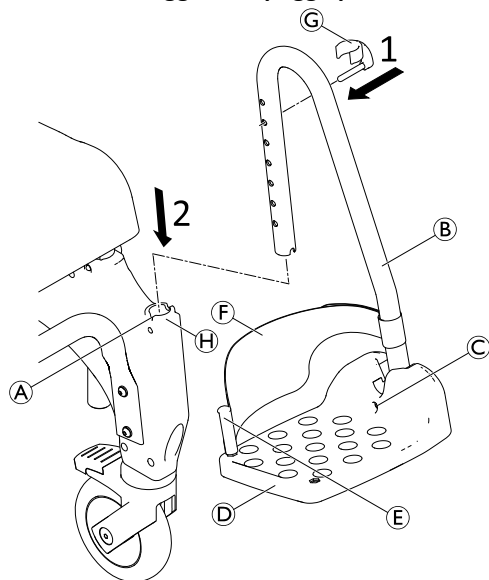
Fig. 4-3

Reinstallare il bracciolo **B** sulla staffa **C**.


12. Piegarlo il bracciolo.  
13. Reinstallare il cappuccio **A**.  
14. Far passare la cintura aperta del rivestimento dello schienale dall'esterno del telaio dello schienale, chiudere le fibbie della cintura, quindi stringere tutte le cinture.  
15. La procedura di regolazione dell'altezza è identica per il bracciolo destro e sinistro.

**i** Per montare gli accessori / le opzioni è possibile aprire la terza cintura dall'alto e far passare il rivestimento dello schienale dall'interno del telaio dello schienale.

## 4.2.5 Montaggio dei poggiatesti




1. Inserire il perno del morsetto © dall'esterno nel foro richiesto sul poggiatesti ©. Assicurarsi che il morsetto si innesti intorno al tubo.
2. Spingere il poggiatesti nella guida ④ nella parte anteriore dell'elemento laterale finché il perno del morsetto © si innesta nella scanalatura ①. Il poggiatesti non può più essere girato lateralmente.

 La procedura di montaggio è identica per i poggiatesti destro e sinistro.


## Regolazione dell'altezza dei poggiatesti

1639501-F

 Se necessario, i poggiatesti possono essere accorciati (consultare il manuale per la manutenzione). L'accorciamento dei poggiatesti deve essere eseguito da un tecnico qualificato.

1. Tirare leggermente verso l'alto il poggiatesti ©.
2. Estrarre il morsetto © dal foro del poggiatesti e reinserirlo nel foro richiesto. Se necessario, estrarre leggermente ancora un po' il poggiatesti.
3. Spingere il poggiatesti verso il basso finché il perno del morsetto © non si innesta nella scanalatura ①.
4. Regolare l'altro poggiatesti all'altezza richiesta, come descritto.

## Regolazione dell'inclinazione delle pedane

 L'inclinazione delle pedane può essere regolata all'infinito in modo variabile.

1. Allentare la vite a brugola © sulla pedana servendosi di una chiave a brugola da 4.
2. Portare la pedana ② nella posizione richiesta.
3. Stringere nuovamente la vite a brugola.

## 4.3 Montaggio di accessori e opzioni

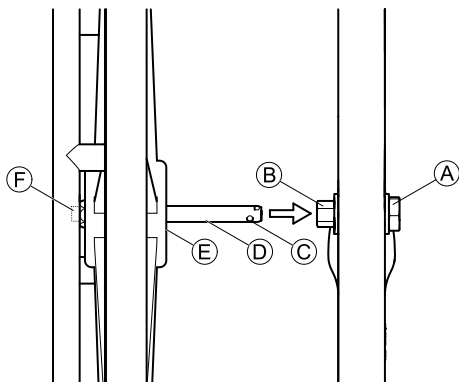


### ATTENZIONE!

#### Pericolo di lesioni

– Il montaggio degli accessori e delle opzioni deve avere luogo seguendo le relative istruzioni.

### 4.3.1 Montaggio/smontaggio delle ruote auto-propellenti



#### ! SEGNALAZIONE!

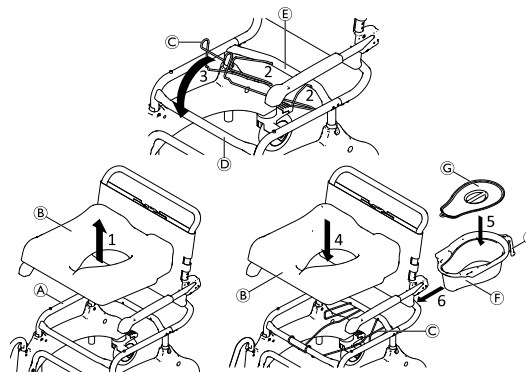
- Con le ruote auto-propellenti montate, le ruote orientabili posteriori devono rimanere bloccate per evitare che entrino in collisione con la ruota.
- I mozzi e i freni di stazionamento per le ruote auto-propellenti devono essere montati da un tecnico qualificato.

1. Allineare tutte e quattro le ruote orientabili nella direzione di marcia.
2. Bloccare tutte le ruote orientabili.
3. Spingere l'assale **D** verso l'interno sulla ruota auto-propellente. (Gli anelli corrimano sporgono verso l'esterno.)

4. Premere e tenere premuto il pulsante **F** sull'esterno dell'assale. Quest'operazione libera le sfere di ritenuta **C** all'estremità dell'assale.
5. Sollevare leggermente la sedia da doccia e da toilette.
6. Inserire l'assale nel mozzo **B** e premere la ruota auto-propellente sull'assale fino all'estremità **E**.
7. Rilasciare il pulsante **F**.
8. Controllare che le sfere di ritenuta siano dietro il dado esagonale **A**.
9. Il montaggio delle ruote auto-propellenti avviene nello stesso modo.

Per rimuovere le ruote seguire la stessa procedura, ma nell'ordine inverso.


### 4.3.2 Inserimento/rimozione del supporto della padella e della padella




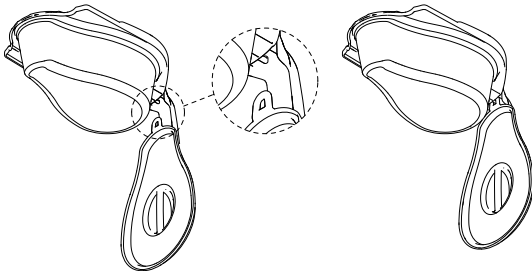
La padella **F** può essere inserita/rimossa con o senza il coperchio **G**.



1. Rimuovere il sedile **B** dal telaio **A**.
2. Posizionare le estremità del supporto della padella **C** nei fori del tubo trasversale posteriore **E**.
3. Innestare la parte anteriore del supporto della padella nel tubo trasversale anteriore **D**.
4. Reinserire il sedile nel telaio.
5. Mettere il coperchio sulla padella o toglierlo.
6. Tenere la padella per l'impugnatura **H** e inserirla dal retro tra il supporto della padella e il sedile.

 Premere leggermente la padella verso il basso quando la si inserisce o la si rimuove.

 Il coperchio può essere appeso al gancio di plastica sul lato inferiore dell'impugnatura della padella.



## 5 Uso

### 5.1 Informazioni per la sicurezza



#### **ATTENZIONE!**

- Utilizzare la sedia da doccia e toilette solo su una superficie piana e al coperto.
- Rispettare le specifiche riportate sull'etichetta modello. Non sovraccaricare la sedia da doccia e toilette.
- Rispettare l'etichetta di sicurezza sull'impugnatura dello schienale, 2.2 *Etichette e simboli sul prodotto, pagina 101*
- Prima di ogni utilizzo, effettuare sempre un controllo visivo per verificare che il prodotto non presenti danni esterni.
- Controllare regolarmente il funzionamento del freno di stazionamento (solo per la versione con ruote auto-propellenti).



#### **ATTENZIONE!**

##### **Rischio di scivolamento e ribaltamento**

- Prima dell'utilizzo, assicurarsi che il sedile sia fissato saldamente al relativo telaio.
- Bloccare tutte le ruote orientabili con le levette a pedale prima di sedersi sulla carrozzina da doccia e toilette o alzarsi da essa, anche nella posizione di stazionamento.
- Al momento del montaggio delle ruote auto-propellenti applicare il freno di stazionamento (opzionale).



#### **ATTENZIONE!**

##### **Rischio di ribaltamento**

- Ruotare lateralmente i poggiatesta o ripiegare le pedane verso l'alto prima di sedersi o di alzarsi in piedi.
- Prima di sedersi o di alzarsi, ruotare le ruote orientabili anteriori in modo che il dispositivo di bloccaggio sia rivolto in avanti.
- Non salire sui poggiatesta.
- Non sporgersi eccessivamente in avanti.



#### **ATTENZIONE!**

##### **Rischio di ribaltamento**

- La sedia da doccia e da toilette deve essere spostata esclusivamente utilizzando la barra di spinta o le ruote auto-propellenti (opzionali).



#### **AVVERTENZA!**

##### **Rischio di ustioni della pelle**

- I componenti del prodotto possono riscaldarsi se esposti a fonti di calore esterne.
- Tenere conto che le superfici che si riscaldano quando si utilizza la sedia da doccia e toilette nella sauna o sotto l'acqua calda.
  - Non esporre il prodotto alla luce diretta del sole prima dell'uso.

**AVVERTENZA!****Rischio di pizzicamento o schiacciamento**

Tra la ruota posteriore e il freno di stazionamento potrebbe essere presente un piccolissimo gioco entro cui esiste il rischio di intrappolamento delle dita.

- Tenere le dita lontano dalle parti mobili quando si utilizza il freno, tenere sempre la mano sulla leva del freno.

**AVVERTENZA!****Rischio di pizzicamento**

– Quando si utilizzano le ruote auto-propellenti (opzionali), non inserire le dita tra i raggi o tra le ruote auto-propellenti e il telaio del sedile mentre il prodotto è in movimento.

**SEGNALAZIONE!****Rischio di danni al prodotto**

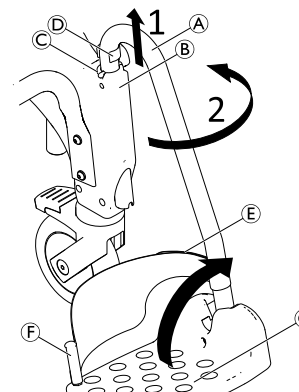
– Non sollevare la sedia da doccia e toilette tramite i poggiatesta, i braccioli o uno qualsiasi degli accessori / delle opzioni.



Per gli utilizzatori ad alto rischio di alzarsi in piedi sui poggiatesta (ad esempio, persone affette da demenza), sono disponibili come dispositivi antiribaltamento anteriori (opzionali) che impediscono alla sedia da doccia e toilette di ribaltarsi in avanti.

**5.2 Rotazione dei braccioli****AVVERTENZA!****Rischio di pizzicamento delle dita**

– Non introdurre le dita tra il bracciolo e lo schienale quando si piegano i braccioli.

**5.3 Rotazione dei poggiatesta****Posizione di salita/discesa:**

1. Tirare leggermente verso l'alto il poggiatesta (A) nella guida (B) fino a disinnestare il perno del morsetto (D) dalla scanalatura (C).
2. Ruotare lateralmente il poggiatesta.



In alternativa, è possibile ruotare le pedane (G) verso l'alto per salire sulla sedia da doccia e toilette e scendere da essa.

## Posizione di guida:



### AVVERTENZA!

**Pericolo di incidenti a causa di un poggiapiedi allentato**

– Fissare i poggiapiedi nella posizione di guida.

1. Ruotare il poggiapiedi (A) verso l'interno.
2. Spingere il poggiapiedi verso il basso fino a quando il perno del morsetto (D) si innesta nella scanalatura (C).

## Smontaggio/montaggio del cinturino per caviglie

1. Aprire la fascetta a strappo (E) sul cinturino per caviglie.
2. Togliere la vite (F) dalla parte inferiore della pedana.
3. Togliere il cinturino per caviglie dal perno in plastica flessibile.



Per allacciare il cinturino seguire la stessa procedura, ma nell'ordine inverso.



Durante il montaggio, assicurarsi che la fascetta a strappo del cinturino per caviglie sia rivolta all'indietro.

## 5.4 Innesto/disinnesto dei dispositivi di bloccaggio delle ruote orientabili

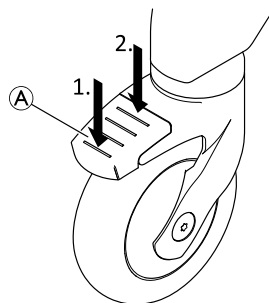


### AVVERTENZA!

**Rischio di intrappolamento/schiacciamento**

Tutti i dispositivi di bloccaggio delle ruote orientabili si azionano con i piedi.

– Non azionare i dispositivi di bloccaggio delle ruote orientabili con le mani.



1. Per bloccare i dispositivi di bloccaggio delle ruote orientabili, premere la parte posteriore del pedale (A) fino a quando si innesta.



La ruota orientabile è ora bloccata in posizione e non può ruotare più.

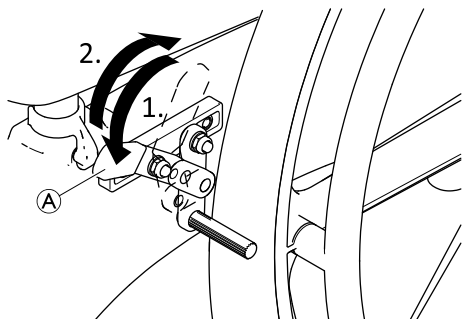
2. Per sbloccare i dispositivi di bloccaggio delle ruote orientabili, premere la parte anteriore del pedale A fino a quando si disinnesta.



La ruota orientabile con il pedale blu (blocco direzionale opzionale) innesta soltanto il blocco girevole per facilitare il movimento in linea retta.

## 5.5 Innesto/disinnesto dei freni di stazionamento

I freni di stazionamento vengono usati per immobilizzare la sedia da doccia e da toilette con ruote da 24" al fine di impedirne lo spostamento quando è ferma.



1. Per innestare il freno di stazionamento, spingere il più avanti possibile la leva del freno Ⓐ.
2. Per disinnestare il freno di stazionamento, tirare la leva del freno all'indietro.

## 6 Trasporto

### 6.1 Informazioni per la sicurezza



Il prodotto può essere smontato per il trasporto in tutte le parti comprese nella fornitura (consultare il capitolo 3.2 *Componenti principali del prodotto*, pagina 103).

1. Smontare il prodotto: consultare il capitolo 4 *Messa in servizio*, pagina 105 seguendo la procedura di montaggio nell'ordine inverso.



#### **SEGNALAZIONE!**



##### **Rischio di danni al prodotto**

- Trasferire il prodotto in un luogo asciutto.
- Non esporre il prodotto alla luce diretta del sole.
- Fare riferimento alle condizioni di conservazione e di trasporto riportate nella sezione 10.3 *Parametri ambientali*, pagina 126



#### **SEGNALAZIONE!**



- Per numerosi collegamenti vengono usati viti/dadi autobloccanti o adesivo per filettature. Qualora questi elementi risultino allentati, è necessario sostituirli con nuove viti/dadi autobloccanti oppure fissarli con nuovo adesivo per filettature.

## 7 Manutenzione

### 7.1 Manutenzione e controllo

Il prodotto non richiede manutenzione, a condizione che siano rispettate le istruzioni di pulizia e di sicurezza descritte di seguito.

Per garantire prestazioni ottimali e la sicurezza, è necessario eseguire periodicamente i seguenti controlli:

- Controllare regolarmente che il prodotto e gli accessori / le opzioni non siano danneggiati. Non utilizzare il prodotto se difettoso.
- In caso di danni o malfunzionamento, si raccomanda di contattare il fornitore.
- Assicurarsi che il prodotto sia assemblato in modo sicuro e che le viti siano serrate saldamente.



#### **ATTENZIONE!**

##### **Pericolo di lesioni e danni**

Se il prodotto non è regolato in modo corretto, può causare incidenti e lesioni gravi.

- Il prodotto deve essere riparato da un tecnico qualificato.
- Le parti danneggiate devono essere sostituite da un tecnico qualificato.
- Utilizzare esclusivamente pezzi di ricambio originali Invacare.

## 7.2 Pulizia e disinfezione

### 7.2.1 Informazioni generali sulla sicurezza



#### **AVVERTENZA!**

##### **Rischio di contaminazione**

- Adottare opportune precauzioni per la propria protezione e utilizzare un'attrezzatura protettiva adeguata.



#### **AVVISO!**

Liquidi inappropriati o metodi errati potrebbero danneggiare il prodotto.

- Tutti i prodotti detergenti e disinfettanti utilizzati devono essere efficaci, compatibili tra loro e devono proteggere i materiali su cui vengono utilizzati durante la pulizia.
- Non utilizzare mai liquidi corrosivi (sostanze alcaline, acidi, ecc.) o detergenti abrasivi. Si consiglia di utilizzare un normale prodotto detergente per la casa, come un detersivo liquido per i piatti, a meno che non siano state fornite indicazioni diverse nelle istruzioni di pulizia.
- Non utilizzare mai solventi (diluente per cellulosa, acetone, ecc.) che modificano la struttura della plastica o che sciolgono le etichette applicate.
- Prima di utilizzare il prodotto, assicurarsi sempre che sia completamente asciutto.



Per la pulizia e la disinfezione in ambienti clinici o di assistenza a lungo termine, seguire le procedure interne della struttura.

### 7.2.2 Intervalli di pulizia



#### AVVISO!

La pulizia e la disinfezione periodici consentono di assicurare il corretto e regolare funzionamento, aumentare la durata e prevenire la contaminazione. Pulire e disinfettare il prodotto:

- periodicamente durante l'uso,
- prima e dopo qualsiasi procedura di manutenzione,
- in caso di contatto con liquidi biologici,
- prima dell'uso per un nuovo utilizzatore.

### 7.2.3 Istruzioni per la pulizia

Il prodotto può essere pulito con prodotti disponibili in commercio.

#### Pulizia in un ambiente domestico

1. Rimuovere tutti gli accessori / le opzioni installati (solo gli accessori / le opzioni che non richiedono l'uso di utensili).
2. Togliere i poggiatesta dalle guide.
3. Rimuovere la piastra del sedile e il rivestimento dello schienale.
4. Pulire le singole parti con un panno o una spazzola e con detersivi e disinfettanti disponibili in commercio.
5. Risciacquare con acqua calda.

6. Asciugare le parti con un panno.
7. Rimontare il prodotto come illustrato nel capitolo 4 *Messa in servizio, pagina 105*

### Effettuare la pulizia in ambiente clinico



Oltre alle istruzioni per la pulizia fornite in precedenza, raccomandiamo di pulire il prodotto prima dell'uso da parte di un altro paziente, al termine del periodo d'uso o regolarmente (a seconda di quale evenienza si verifichi per prima) a

- 90 °C per 1 minuto
- 85 °C per 3 minuti
- 80 °C per 10 minuti

in autoclave.



#### AVVERTENZA!

##### Rischio di ustioni della pelle

– Dopo la pulizia, lasciare raffreddare il prodotto all'interno della lavatrice o dell'autoclave.

### Pulizia del rivestimento dello schienale

1. Togliere il rivestimento dello schienale.
2. Lavare il rivestimento in lavatrice con detersivo delicato a una temperatura massima di 60 °C.



#### SEGNALAZIONE!

##### Rischio di danni

– Un lavaggio a temperature più elevate può provocare danni.  
– Non mettere nell'asciugabiancheria.



**SEGNALAZIONE!**

I lavaggi eccessivi possono danneggiare il tessuto.  
– Si raccomanda di sostituire il rivestimento dello schienale ogni due anni per motivi di igiene.

**Pulizia della padella (opzionale)**

La padella può essere pulita in autoclave alle temperature/con i tempi seguenti:

- 90 °C per 1 minuto
- 85 °C per 3 minuti
- 80 °C per 10 minuti.

**7.2.4 Istruzioni per la disinfezione**

Informazioni sui disinfettanti e i metodi consigliati sono disponibili all'indirizzo <https://vah-online.de/en/for-users>.

**Nell'assistenza domestica**

Metodo: Seguire le note applicative per il disinfettante utilizzato e disinfettare con una salvietta tutte le superfici accessibili.

Disinfettante: normale disinfettante per la casa.

Asciugatura: Lasciare asciugare il prodotto all'aria.

**Assistenza in ambiente clinico e a lungo termine**

Seguire le procedure di disinfezione interne e utilizzare solo i disinfettanti e i metodi ivi specificati.

## 8 Dopo l'utilizzo

### 8.1 Conservazione



#### **SEGNALAZIONE!**

#### **Rischio di danni al prodotto**

- Conservare il prodotto in un luogo asciutto.
- Non riporre il prodotto vicino a fonti di calore.
- Non esporre il prodotto alla luce diretta del sole.
- Fare riferimento alle condizioni di conservazione e di trasporto riportate nella sezione *10.3 Parametri ambientali, pagina 126*

### 8.2 Ricondizionamento

Questo prodotto è adatto per il riutilizzo. Per il ricondizionamento del prodotto per un nuovo utilizzatore, intraprendere le azioni seguenti:

- Ispezione
- Pulizia e disinfezione

Per informazioni dettagliate, fare riferimento al paragrafo 7 *Manutenzione, pagina 119* e al manuale per la manutenzione di questo prodotto.

Assicurarsi che il manuale d'uso venga sempre consegnato insieme al prodotto.

Se si riscontrano danni o malfunzionamenti, non riutilizzare il prodotto.

### 8.3 Smaltimento

Rispettare l'ambiente e riciclare il prodotto attraverso un centro di riciclaggio locale al termine del suo utilizzo.

Smontare il prodotto e i relativi componenti, in modo che i differenti materiali possano essere staccati e riciclati singolarmente.

Lo smaltimento e il riciclaggio dei prodotti usati e degli imballaggi devono essere eseguiti nel rispetto delle leggi e delle normative in materia di gestione dei rifiuti vigenti in ciascun paese. Per ulteriori informazioni, contattare la propria azienda di raccolta rifiuti locale.

## 9 Guida alla soluzione dei problemi

### 9.1 Identificazione e riparazione dei guasti

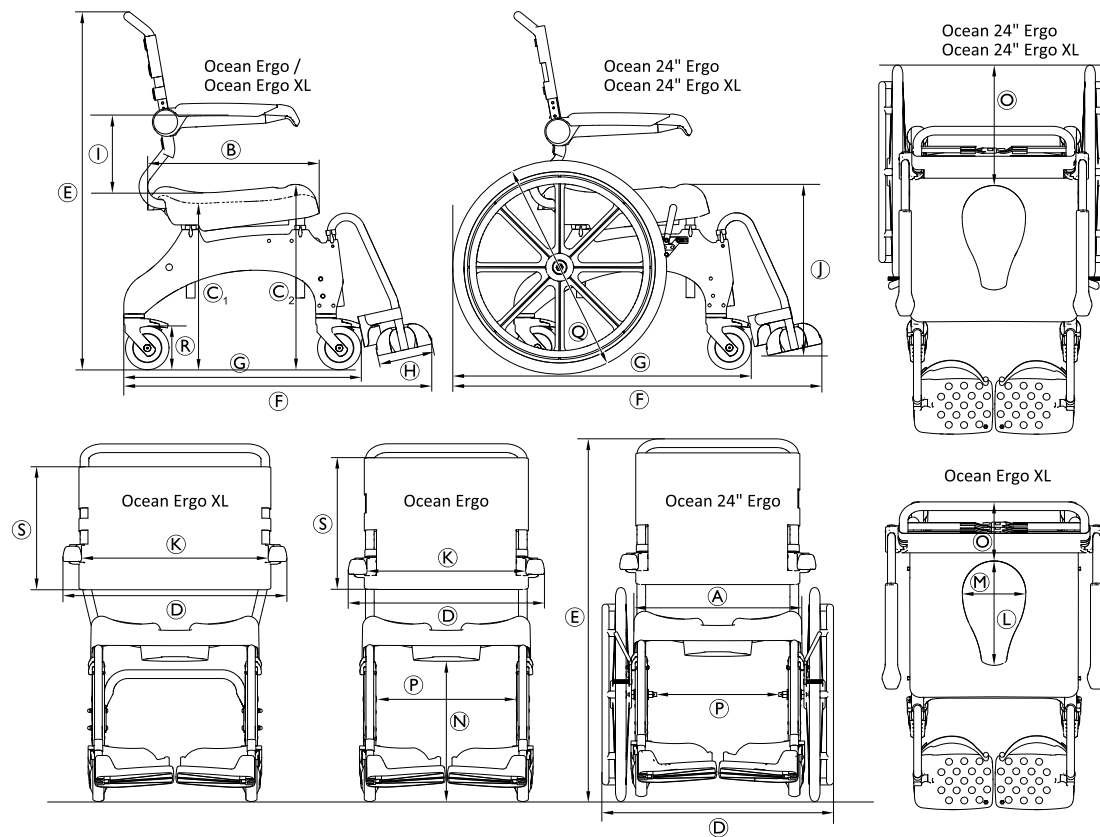


La tabella seguente fornisce informazioni sui malfunzionamenti e sulle possibili cause. Qualora non fosse possibile correggere il malfunzionamento mediante i rimedi indicati, contattare direttamente il proprio rivenditore specializzato.

<b>Guasto</b>	<b>Causa possibile</b>	<b>Soluzione</b>
Difficoltà di regolazione dell'altezza del sedile	Sporcizia tra il telaio del sedile e l'elemento laterale	Smontare il prodotto in tutte le parti comprese nella fornitura e pulirlo completamente
Le ruote orientabili sono difficili o impossibili da girare	Sporcizia tra la forcella e il cerchione	Pulire completamente le ruote
Difficoltà nello spostare lateralmente i poggiatesta	Depositi nelle guide	Pulire accuratamente i poggiatesta e le guide
Il freno di stazionamento delle ruote ad autospinna non si innesta.	Freno di stazionamento regolato in modo errato	Il freno di stazionamento deve essere regolato da un tecnico qualificato.

## 10 Dati Tecnici

### 10.1 Dimensioni e peso



	Ocean Ergo	Ocean Ergo XL	Ocean 24" Ergo	Ocean 24" Ergo XL
Ⓐ	480 mm			
Ⓑ	480 mm			
Ⓒ <sub>1</sub>	440 mm – 600 mm			475 mm – 600 mm
Ⓒ <sub>2</sub>	498 mm – 658 mm			533 mm – 658 mm
Ⓓ	565 mm	645 mm	670 mm	
Ⓔ	985 mm – 1145 mm		1010 mm – 1170 mm	1045 mm – 1170 mm
Ⓕ	905 mm		1050 mm	
Ⓖ	700 mm		850 mm	
Ⓗ	160 mm			
Ⓘ	215 mm/253 mm/290 mm	253 mm/290 mm	215 mm/253 mm/290 mm	253 mm/290 mm
Ⓙ	260 mm – 570 mm			295 mm – 570 mm
Ⓚ	475 mm	555 mm	475 mm	555 mm
Ⓛ	350 mm (parte superiore)/300 mm (parte inferiore)			
Ⓜ	250 mm (parte superiore)/182 mm (parte inferiore)			
Ⓝ	365 mm – 525 mm			400 mm – 525 mm
Ⓞ	200 mm		355 mm	
Ⓟ	405 mm		360 mm	
Ⓠ	—		Æ 24" (610 mm)	
Ⓡ	Æ 5" (127 mm)			
Ⓢ	390 mm	350 mm	390 mm	350 mm

	Ocean Ergo	Ocean Ergo XL	Ocean 24" Ergo	Ocean 24" Ergo XL
Diametro di sterzata	2100 mm		1940 mm	
Larghezza per inversione	1070 mm		1240 mm	
Peso del prodotto	17 kg	18 kg	23 kg	24 kg
Peso max. utilizzatore	150 kg	180 kg	150 kg	180 kg

## 10.2 Materiali

Telaio	Acciaio inox, verniciato a polvere
Tubo del poggiapiedi	Acciaio inox
Piastra del sedile	Polipropilene, rinforzato con fibra di vetro
Rivestimento dello schienale	Nylon, rivestito in PVC
Piastra poggiapiedi / Parti laterali	Polipropilene, rinforzato con fibra di vetro
Bracciolo	Poliammide, rinforzato con fibra di vetro

Ruote orientabili	Plastica e acciaio inox
Superficie di scorrimento delle ruote da 24"	PUR

Tutti i componenti del prodotto sono resistenti alla corrosione e non contengono lattice di gomma naturale.

## 10.3 Parametri ambientali

<b>Condizioni di funzionamento</b>	
Temperatura ambiente	10 - 65 °C
Umidità relativa	15% - 93% non condensante
Pressione atmosferica	795 - 1060 hPa
<b>Condizioni di conservazione e di trasporto</b>	
Temperatura ambiente	0 - 40 °C

Umidità relativa	30% - 75% non condensante
Pressione atmosferica	795 - 1060 hPa





# Contenido

Este manual DEBE ser entregado al usuario final. ANTES de usar este producto lea este manual y guárdelo para futuras referencias.

<b>1 Generalidades</b>	<b>.130</b>
1.1 Introducción	.130
1.2 Símbolos empleados en este documento	.130
1.3 Información sobre la garantía	.131
1.4 Cumplimiento	.131
1.4.1 Normas específicas del producto	.131
1.5 Vida útil	.131
<b>2 Seguridad</b>	<b>.132</b>
2.1 Información de seguridad	.132
2.2 Etiquetas y símbolos en el producto	.133
<b>3 Descripción del producto</b>	<b>.135</b>
3.1 Uso previsto	.135
3.2 Piezas principales del producto	.135
<b>4 Instalación</b>	<b>.138</b>
4.1 Información de seguridad	.138
4.2 Montaje del producto	.138
4.2.1 Instalación del tubo del chasis del asiento para el ajuste de la altura	.138
4.2.2 Instalación del respaldo	.141
4.2.3 Instalación y retirada de la placa del asiento	.142
4.2.4 Ajuste de la altura del reposabrazos	.142
4.2.5 Instalación de los reposapiés	.144
4.3 Montaje de accesorios y opciones	.144
4.3.1 Instalación/retirada de las ruedas autopropulsadas	.145
4.3.2 Montaje/desmontaje del soporte de estructura de inodoro y estructura de inodoro	.145
<b>5 Utilización</b>	<b>.147</b>
5.1 Información de seguridad	.147

5.2 Girar los reposabrazos	.148
5.3 Giro de los reposapiés	.148
5.4 Acoplamiento/desacoplamiento de los bloqueos de las ruedas	.149
5.5 Acoplamiento/desacoplamiento de los frenos de estacionamiento	.150
<b>6 Transporte</b>	<b>.151</b>
6.1 Información de seguridad	.151
<b>7 Mantenimiento</b>	<b>.152</b>
7.1 Mantenimiento e inspección	.152
7.2 Limpieza y desinfección	.152
7.2.1 Informazioni generali sulla sicurezza	.152
7.2.2 Intervalli di pulizia	.153
7.2.3 Istruzioni di pulizia	.153
7.2.4 Istruzioni di desinfección	.154
<b>8 Después del uso</b>	<b>.155</b>
8.1 Almacenamiento	.155
8.2 Reacondicionamiento	.155
8.3 Eliminación	.155
<b>9 Solución de problemas</b>	<b>.156</b>
9.1 Identificación y reparación de fallos	.156
<b>10 Datos Técnicos</b>	<b>.157</b>
10.1 Dimensiones y peso	.157
10.2 Materiales	.159
10.3 Parámetros medioambientales	.159

# 1 Generalidades

## 1.1 Introducción

Este manual del usuario contiene información importante sobre el manejo del producto. Para garantizar su seguridad al utilizar el producto, lea detenidamente el manual del usuario y siga las instrucciones de seguridad.

Utilice exclusivamente este producto si ha leído y comprendido este manual. Busque asesoramiento adicional de un profesional sanitario que esté familiarizado con su afección y expóngale todas las preguntas que tenga en relación con el uso correcto y el ajuste necesario.

Tenga en cuenta que puede haber secciones que no sean relevantes para su producto, ya que este documento se aplica a todos los modelos disponibles (en la fecha de impresión). A no ser que se indique lo contrario, cada una de las secciones de este documento hace referencia a todos los modelos del producto.

Los modelos y las configuraciones disponibles en su país pueden encontrarse en los documentos de venta específicos del país.

Invacare se reserva el derecho de modificar las especificaciones del producto sin previo aviso.

Antes de leer este documento, asegúrese de contar con la versión más reciente. Podrá encontrarla en formato PDF en el sitio web de Invacare.

Si la versión impresa del documento tiene un tamaño de letra que le resulta difícil de leer, podrá descargarlo en

formato PDF en el sitio web. Podrá ampliar el PDF en pantalla a un tamaño de letra que le resulte más cómodo.

Para obtener más información sobre el producto (por ejemplo, avisos de seguridad y retiradas de productos), póngase en contacto con un distribuidor de Invacare. Consulte las direcciones que figuran al final de este documento.

En caso de un accidente grave con el producto, informe al fabricante y a las autoridades competentes de su país.

## 1.2 Símbolos empleados en este documento

En este documento se utilizan símbolos y señales que hacen referencia a peligros o usos poco seguros que podrían provocar lesiones físicas o daños materiales. A continuación, se muestran las descripciones de estos símbolos.



### ADVERTENCIA

Indica una situación peligrosa que, si no se evita, podría tener como consecuencia la muerte o lesiones graves.




### PRECAUCIÓN


Indica una situación peligrosa que, si no se evita, podría tener como consecuencia lesiones leves o de poca gravedad.

- ! AVISO  
Indica una situación peligrosa que, si no se evita, puede tener como consecuencia daños en la propiedad.
- i Consejos y recomendaciones  
Proporciona consejos útiles, recomendaciones e información para un uso eficiente y sin problemas.

### Otros símbolos

(No es aplicable a todos los manuales)

 Persona responsable del Reino Unido  
Indica si un producto no se fabrica en el Reino Unido.

 Triman  
Indica las reglas de reciclaje y recogida selectiva (solo relevantes para Francia).

## 1.3 Información sobre la garantía

Ofrecemos la garantía del fabricante del producto conforme a nuestras Condiciones generales y Condiciones comerciales en los distintos países.

Las reclamaciones relativas a la garantía solo pueden efectuarse a través del distribuidor en el que se adquirió el producto.

## 1.4 Cumplimiento

La calidad es fundamental para el funcionamiento de nuestra empresa, que trabaja conforme a las normas ISO 13485.

1639501-F

Este producto lleva la marca CE según lo exigido en el Reglamento 2017/745 sobre productos sanitarios de clase I.

Este producto presenta la marca UKCA, según lo exigido en la parte II del MDR 2002 (enmendada) del Reino Unido de clase I.

Trabajamos continuamente para garantizar que se reduzca al mínimo el impacto medioambiental de la empresa, tanto a nivel local como global.

Solo utilizamos materiales y componentes que cumplen con las directivas REACH.

### 1.4.1 Normas específicas del producto

El producto ha sido sometido a pruebas y cumple las normas ISO 17966 (Productos de asistencia para la higiene personal que soportan a los usuarios) y las normas relacionadas. Esto incluye las pruebas relativas a la inflamabilidad. No se produce ignición por combustión progresiva ni ignición de llama.

Para obtener más información sobre las normativas locales, póngase en contacto con el representante local de Invacare. Consulte las direcciones al final de este documento.

## 1.5 Vida útil

La vida útil prevista para este producto es de cinco años, siempre y cuando se utilice diariamente y de conformidad con las instrucciones de seguridad, se respeten los intervalos de mantenimiento y se utilice correctamente según lo establecido en este manual. La vida útil real puede variar en función de la frecuencia y la intensidad del uso.

## 2 Seguridad

### 2.1 Información de seguridad



#### ¡ADVERTENCIA!

##### Riesgo de daños o lesiones graves

Un uso incorrecto de este producto puede provocar lesiones o daños.

- Si tiene alguna duda relacionada con las advertencias, precauciones o instrucciones, póngase en contacto con un profesional sanitario o con su proveedor antes de intentar utilizar este equipo.
- No utilice este producto ni cualquier otro equipo opcional disponible sin antes haber leído y comprendido estas instrucciones y cualquier otro material informativo adicional, como el manual del usuario, manuales de servicio u hojas de instrucciones proporcionados con este producto o equipo opcional.



#### ¡ADVERTENCIA!

##### Riesgo de lesiones

- Antes de cada uso, compruebe que el producto no esté dañado y asegúrese de que esté montado de forma segura.
- Antes de utilizarlo por primera vez, limpie a fondo el producto.



#### ¡ADVERTENCIA!

##### Riesgo de lesiones

Un uso incorrecto de este producto puede provocar lesiones o daños.

- No utilice el producto si está defectuoso.
- En caso de producirse un fallo en el funcionamiento, póngase en contacto con su proveedor inmediatamente.
- No realice ningún cambio ni modificación en el producto sin autorización.
- Utilice solo accesorios y opciones diseñados para este producto.



#### ¡ADVERTENCIA!

##### Riesgo de lesiones

Un uso incorrecto de este producto puede provocar lesiones o daños.

- No levante el producto cuando soporte una carga.
- No se ponga de pie sobre el producto.



## ¡PRECAUCIÓN!

### Riesgo de lesiones

El uso de piezas incorrectas o que no sean originales puede afectar el funcionamiento y la seguridad del producto.

- Utilice solo piezas originales para usar el producto.
- Debido a las diferencias regionales, consulte el sitio web o el catálogo local de Invacare para ver las opciones disponibles o póngase en contacto con el representante local de Invacare. Consulte las direcciones al final de este documento.



## AVISO

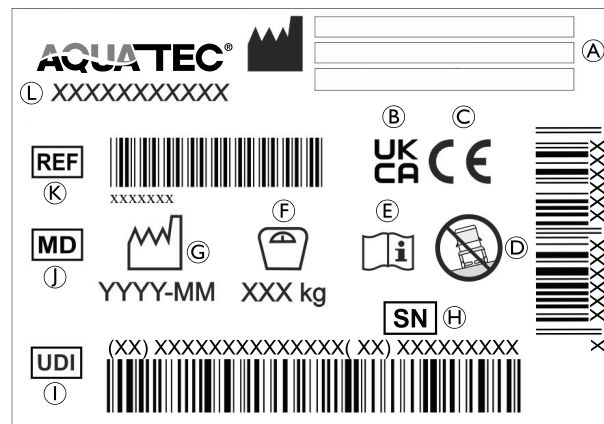
Al combinar este producto con otro, las restricciones de ambos productos se aplican a la combinación. Por ejemplo, el peso del usuario máximo de uno de los productos de la combinación puede ser menor.

- Utilice solo combinaciones permitidas por Invacare. Póngase en contacto con su distribuidor de Invacare si desea más información.
- Antes del uso, lea el manual del usuario de cada producto y compruebe las restricciones. Es necesario el pleno cumplimiento de la información, las instrucciones y las recomendaciones contenidas en ambos manuales del usuario para un uso seguro del dispositivo.

## 2.2 Etiquetas y símbolos en el producto


### Etiqueta de identificación

La etiqueta de identificación incluye información importante:




(A)	Dirección del fabricante
(B)	Conformidad del Reino Unido evaluada
(C)	Conformidad europea
(D)	Solo para uso en suelo uniforme
(E)	Lea el manual del usuario
(F)	Peso máximo de usuario
(G)	Fecha de fabricación
(H)	Número de serie

①	Identificador único de dispositivo
①	Producto sanitario
Ⓚ	Referencia de producto
Ⓛ	Nombre del producto

 La etiqueta de identificación está fijada en el interior de la parte lateral izquierda.

### Etiquetas del producto

La siguiente etiqueta está fijada en el asa del respaldo:

Etiqueta	Descripción
	<p><b>¡ADVERTENCIA!</b></p> <p>Riesgo de volcado</p> <ul style="list-style-type: none"> <li>– No se ponga de pie sobre los reposapiés al subir o bajar de la silla de ducha e inodoro.</li> <li>– Empuje los reposapiés hacia los lados o pliegue las paletas de los reposapiés antes de subirse o bajarse de la silla de ducha e inodoro.</li> <li>– Antes de sentarse o de levantarse, gire las ruedas de modo que el bloqueo apunte hacia delante.</li> <li>– No se incline demasiado hacia delante al sentarse en la silla de ducha e inodoro.</li> </ul>

## 3 Descripción del producto

### 3.1 Uso previsto

Aquatec Ocean Ergo y Aquatec Ocean Ergo XL son sillas de ducha e inodoro móviles con chasis de acero inoxidable, altura del asiento ajustable individualmente, respaldo de tensión regulable, reposabrazos ajustables y paletas de reposapiés con textura de ángulo regulable y plegables. El producto también está disponible en un modelo con ruedas de 24" para autopropulsarse.

Estas sillas de ducha e inodoro móviles están diseñadas para utilizarlas como apoyo en todas las actividades de higiene personal con o sin asistencia en instituciones sanitarias y en hogares particulares.

En piscinas, la silla de ducha e inodoro solo puede utilizarse como silla de baño si la piscina no contiene agua salada y bajo la vigilancia constante de otra persona.

Temperatura de uso (solo en interiores): De 10 a 65 °C

#### Usuarios previstos

El usuario previsto es la persona que se sienta en la silla de ducha e inodoro o un asistente. El dispositivo puede utilizarse para adolescentes o adultos que tengan una estatura igual o superior a 146 cm, un peso igual o superior a 40 kg y un índice de masa corporal (IMC) igual o superior a 16.

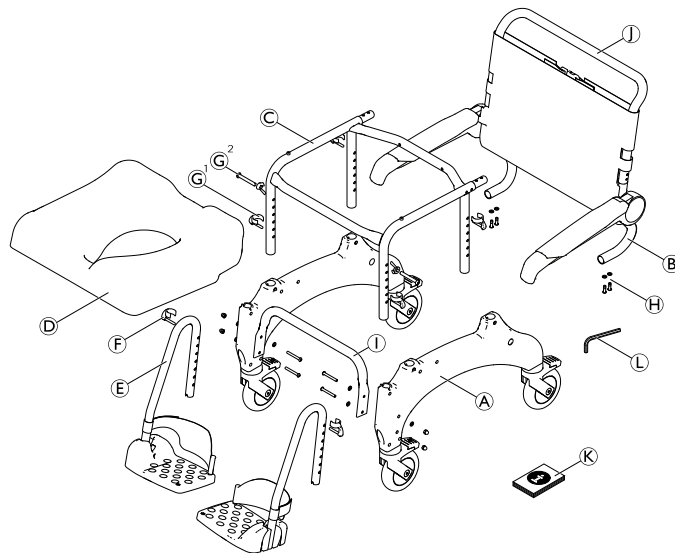
Consulte el peso máximo del usuario en *10 Datos Técnicos, página 157*.

### Indicaciones

- Dificultad para mantener el equilibrio o permanecer de pie
- Piernas débiles o discapacidad de las extremidades inferiores
- Condiciones médicas que afecten negativamente a su equilibrio

No existen contraindicaciones conocidas cuando el producto se utiliza del modo previsto.

### 3.2 Piezas principales del producto

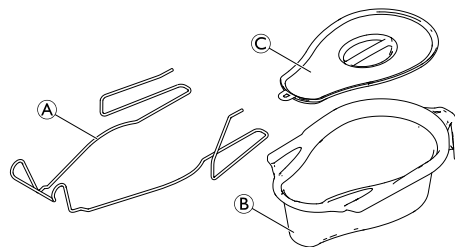


(A)	Parte lateral con ruedas (izquierda y derecha)
(B)	Respaldo con funda y reposabrazos
(C)	Chasis del asiento
(D)	Asiento
(E)	Reposapiés con correa para el talón (izquierdo y derecho)
(F)	Clips (2) para reposapiés (insertados)
(G) <sup>1</sup>	Ganchos (4) para el ajuste de la altura del asiento
(G) <sup>2</sup>	Tornillos y tuercas de mariposa (2x) para el ajuste de la altura del asiento más baja
(H)	Tornillos y arandelas (4)
(I)	Tubo de estabilización de la base con tornillos (4), arandelas (8) y tuercas (4) (solo Ocean XL)
(J)	Barra de empuje
(K)	Manual del usuario
(L)	Llave Allen AF 4



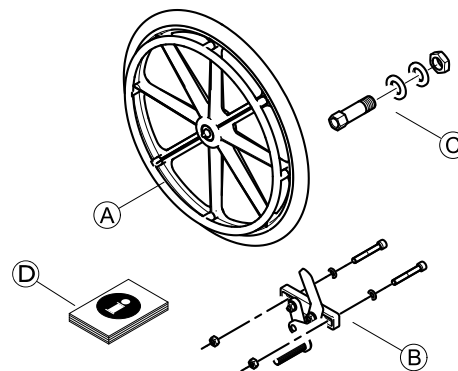
Tenga en cuenta el cambio de dimensiones cuando se montan las ruedas autopropulsadas. Para obtener más información, consulte el capítulo *10 Datos Técnicos*, página 157.

### Soporte de estructura de inodoro con estructura de inodoro (opcional)



(A)	Soporte de estructura de inodoro
(B)	Inodoro
(C)	Tapa

### Ruedas autopropulsadas con bloqueo manual de las ruedas (opcional)





Ⓐ	Ruedas autopropulsadas (2)
Ⓑ	Frenos de estacionamiento (2) con tornillos (4), arandelas (4) y tuercas (4)
Ⓒ	Cubos con ejes y arandelas y tuercas (2)
Ⓓ	Instrucciones de montaje

## 4 Instalación

### 4.1 Información de seguridad



#### ¡ADVERTENCIA!

- Antes de utilizar la silla, compruebe si los componentes han sufrido algún daño durante el transporte y póngase en contacto con el proveedor si es necesario.
- Durante el montaje, compruebe que las piezas estén correctamente colocadas unas con respecto a las otras.
- Se utilizan tornillos de seguridad, tuercas o adhesivo de bloqueo de roscas para varias conexiones. Si estos se aflojan, deberán sustituirse por nuevos tornillos de seguridad o tuercas, o deberán fijarse con nuevo adhesivo de bloqueo.



#### ¡PRECAUCIÓN!

#### Riesgo de atrapamiento

- Tenga cuidado durante el montaje.

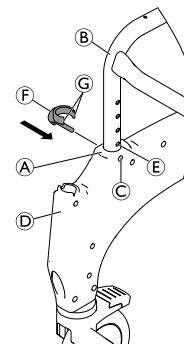
### 4.2 Montaje del producto

En esta sección se describe el montaje. El desmontaje se lleva a cabo en el orden inverso.



La altura del reposabrazos, la altura del reposapiés, el ángulo del reposapiés, la correa para el talón, la tensión de la funda del respaldo y los accesorios/opciones deben ajustarse para que se adapten de forma óptima al usuario.

#### 4.2.1 Instalación del tubo del chasis del asiento para el ajuste de la altura



1. Saque de la bolsa los clips (F) que se incluyen.
2. Coloque el chasis del asiento sobre su lateral.



Presione la pieza lateral de forma uniforme sobre el chasis y no la gire.



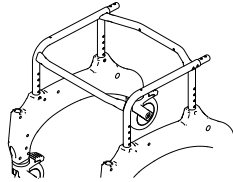
#### ¡IMPORTANTE

– Fije la pieza lateral a la misma altura, delantera y trasera.

3. Presione la pieza lateral (A) con las guías para los reposapiés (D) hacia delante en el chasis del asiento (B).



Asegúrese de que la etiqueta de identificación está fijada en el interior de la parte lateral izquierda.



Asegúrese de que la orientación del chasis del asiento sea la correcta.

4. Haga coincidir los soportes de los clips © de la parte delantera y trasera de la pieza lateral con un orificio del chasis del asiento ⑤.
5. Introduzca los clips ⑥ desde fuera en la pieza lateral hasta que los bordes de los clips © rodeen el tubo del chasis del asiento ③.



#### ¡IMPORTANTE

- Asegúrese de que los cuatro clips están bien sujetos.
- Compruebe que las piezas laterales izquierda y derecha estén ajustadas a la misma altura.

6. Gire el chasis del asiento y repita el procedimiento para la segunda pieza lateral.
7. Coloque el chasis del asiento con las piezas laterales montadas sobre sus ruedas.

## Ajuste de la altura del asiento (excepto las dos posiciones más bajas)



### ¡ADVERTENCIA!

- Asegúrese de que los cuatro clips están bien sujetos.
- Asegúrese de que el asiento esté ajustado a la misma altura por ambos lados.
- No ajuste la altura del asiento mientras haya alguien sentado en la silla de ducha e inodoro.

1. Levante ligeramente la silla de ducha e inodoro de un lado agarrándola del chasis del asiento ③.
2. Quite los dos clips ⑥ de este lateral.
3. Tire del chasis del asiento para sacarlo de la pieza lateral ④ o presiónelo dentro de la pieza lateral para ajustar la altura del asiento.
4. Vuelva a insertar totalmente los dos clips.
5. Repita los pasos del 1 al 4 en el otro lado.



La altura del asiento se puede ajustar para adaptarse a distintas situaciones de uso, por ejemplo, el traslado desde una cama o una silla de ruedas o el uso sobre un inodoro, etc.

## Ajuste de la altura del asiento a las dos posiciones más bajas



### ¡ADVERTENCIA! Riesgo de lesiones

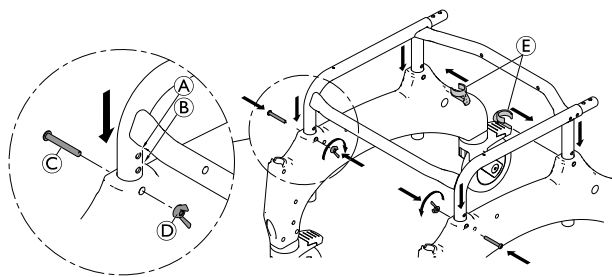
Si fuera necesario ajustar el chasis del asiento a las posiciones más bajas posibles (A) o (B), un montaje incorrecto podría provocar lesiones o daños.

- No utilice clips para fijar el chasis del asiento a la parte delantera de las piezas laterales.
- Utilice los tornillos y las tuercas de mariposa (consulte 3.2 *Piezas principales del producto, página 13*) para fijar el chasis del asiento a la parte delantera de las piezas laterales.



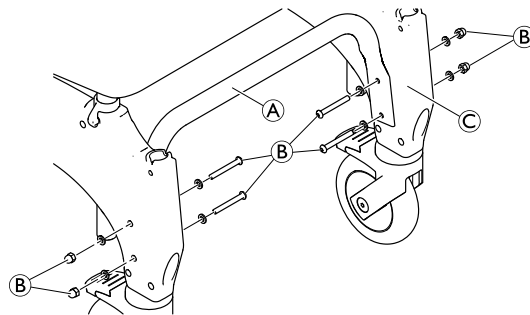
### ¡ADVERTENCIA!

- Asegúrese de que todas las piezas de montaje estén bien apretadas.
- Asegúrese de que el asiento esté ajustado a la misma altura por ambos lados.
- No ajuste la altura del asiento mientras haya alguien sentado en la silla de ducha e inodoro.



1. Levante ligeramente la silla de ducha e inodoro por un lado agarrándola del chasis del asiento.
2. Quite los dos clips de este lateral.
3. Empuje el chasis del asiento en la parte lateral para ajustar la altura del asiento.
4. Inserte el tornillo (C).
5. Fije con la tuerca de mariposa (D).
6. Para fijar la parte posterior de la pieza lateral, empuje el clip (E) hacia atrás por completo desde el interior del chasis.
7. Repita los pasos del 1 al 6 en el otro lado.

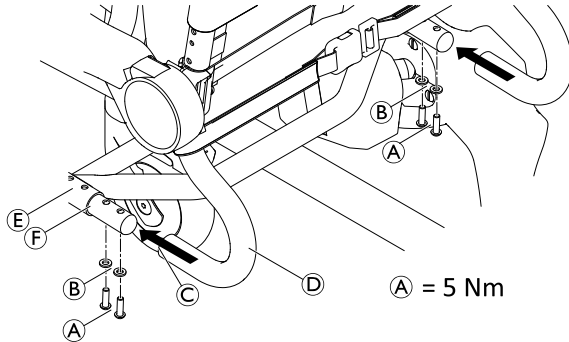
## Instalación del tubo de estabilización de la base (solo Ocean Ergo XL)



1. Instale el tubo de estabilización de la base (A) entre las piezas laterales (C) utilizando los tornillos y las tuercas (B) suministrados. Asegúrese de que el tubo de estabilización está orientado hacia arriba.
2. Apriete los tornillos con un par de torsión de 5 Nm.

## 4.2.2 Instalación del respaldo

1. Empuje hacia abajo los cuatro pedales de las ruedas para bloquearlas.



2. Empuje el respaldo **D** desde el lateral trasero en el chasis del asiento **E**, hasta que la parte del cuello **C** toque el tubo del chasis del asiento **F**.
3. Coloque una arandela **B** en cada tornillo **A** y fije el respaldo a cada lado con un par de torsión de 5 Nm con la llave Allen suministrada.

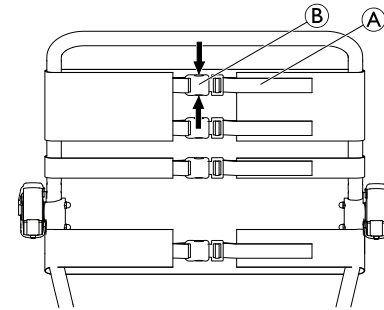


### ¡ IMPORTANTE

– Compruebe periódicamente los tornillos para asegurarse de que están bien ajustados.

### Ajuste de la funda del respaldo

Es posible ajustar la tensión de la funda del respaldo según sea necesario.



### ¡ADVERTENCIA!

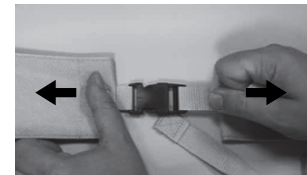
– Asegúrese de que se pasan al menos tres cinturones alrededor del chasis del respaldo (en la parte exterior) y de que las hebillas de los cinturones están sujetas.

Para tensar:

1. Apriete los cinturones **A** de la funda del respaldo.

Para aflojar:

1. Abra las hebillas **B** presionando los salientes de sujeción (flechas).
2. Afloje un poco los cinturones a través de la hebilla.
3. Apriete las hebillas de los cinturones.
4. Vuelva a apretar suavemente los cinturones.





### ¡ADVERTENCIA!

#### Riesgo de lesiones causadas por hebillas del respaldo en mal estado.

Compruebe que las hebillas del respaldo estén bien sujetas, siempre que proceda al mantenimiento o reacondicionamiento del producto.

- Compruebe que todas las hebillas estén bien sujetas cerrándolas y tirando de ambos extremos.
- Sustituya el respaldo o las hebillas del respaldo si se abre una hebilla debido a la fuerza aplicada.

### 4.2.3 Instalación y retirada de la placa del asiento


#### Instalación

1. Coloque la placa del asiento sobre el chasis del asiento con la entalladura hacia delante.
2. Con la palma de la mano, presione la placa del asiento en los laterales y después por delante y por detrás hasta que esta encaje en el chasis del asiento.

#### Desmontaje

1. Tire de la placa del asiento hacia arriba en la parte trasera.

### 4.2.4 Ajuste de la altura del reposabrazos

1. En la funda del respaldo, abra la hebilla del cinturón que pasa por el interior del chasis del respaldo.
2. Abra la hebilla del cinturón de la funda del respaldo, que va por encima del reposabrazos.  
 Al ajustarlo en una posición inferior, es necesario abrir la correa situada debajo del reposabrazos.
3. Pase este cinturón por el interior del chasis del respaldo y vuelva a cerrar la hebilla.
- 4.

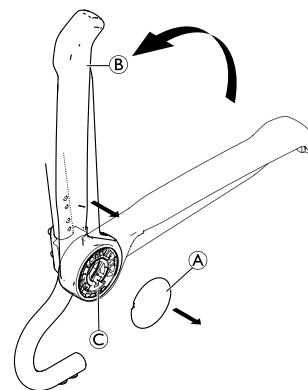


Fig. 4-1

Retire la tapa (A).

5. Abata el reposabrazos (B) para retirarlo del soporte de reposabrazos (C).

6.

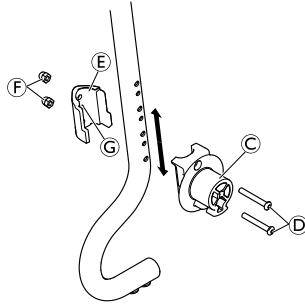


Fig. 4-2

Retire los tornillos **D** del soporte de reposabrazos **C** con la llave Allen suministrada.

7. Quite la abrazadera de sujeción **E** con las tuercas **F** desde el interior del chasis del respaldo.
- i** Las tuercas están flojas dentro de la abrazadera de sujeción y pueden caerse.

8. Para volver a instalar soporte del reposabrazos y fijar la abrazadera en la posición deseada, inserte los tornillos **D** en el soporte del reposabrazos y páselos por los orificios deseados del chasis del respaldo.

**i** Los orificios más pequeños del interior del chasis del respaldo fijan la abrazadera de sujeción.

9. Coloque la abrazadera de fijación de tal forma que la fijación **G** de la abrazadera de sujeción encaje en un orificio más pequeño.
10. Apriete los tornillos **D** a 5 - 6 Nm y las tuercas **F**.

11.

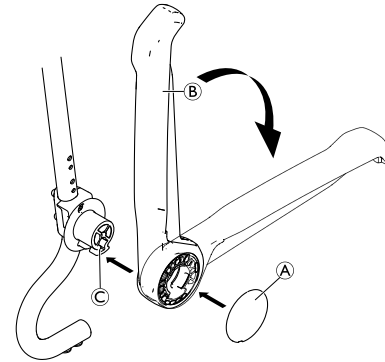


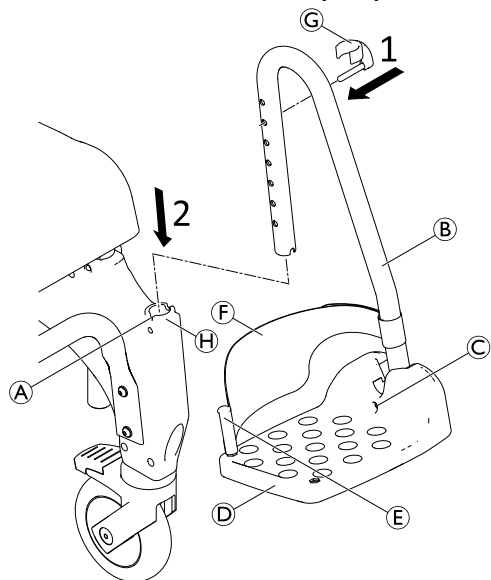
Fig. 4-3

Vuelva a instalar reposabrazos **B** sobre el soporte **C**.


12. Pliegue el reposabrazos.
13. Vuelva a instalar la tapa **A**.
14. Pase el cinturón abierto de la funda del respaldo sobre la parte exterior del chasis del respaldo, cierre las hebillas y apriete todos los cinturones.
15. El procedimiento de ajuste de la altura es igual para el reposabrazos izquierdo y derecho.

**i** Para instalar accesorios/opciones, se puede abrir el tercer cinturón empezando por arriba y la funda del respaldo se puede pasar por el interior del chasis del respaldo.


## 4.2.5 Instalación de los reposapiés



1. Inserte el pasador del clip **G** desde el exterior en el orificio necesario del reposapiés **B**. Asegúrese de que el clip se encaja alrededor del tubo.
2. Presione el reposapiés en la guía **H** en la parte delantera del lateral hasta que el pasador del clip **G** encaje en la ranura **A**. El reposapiés ya no podrá girarse hacia el lateral.


 El procedimiento de montaje es igual para el reposapiés derecho e izquierdo.

### Ajuste de la altura de los reposapiés

 Los reposapiés se pueden acortar si es necesario (consulte el manual de servicio). El acortamiento de los reposapiés deberá realizarlo un técnico cualificado.

1. Tire ligeramente hacia arriba del reposapiés **B**.
2. Tire del clip **G** para sacarlo del orificio en el reposapiés y vuelva a insertarlo en el orificio necesario. Tire del reposapiés un poco más hacia fuera si es necesario.
3. Presione el reposapiés hacia abajo hasta que el pasador del clip **G** encaje en la ranura **A**.
4. Ajuste el otro reposapiés a la altura necesaria según se ha descrito.

### Ajuste de la inclinación de las paletas de los reposapiés

 La inclinación de las paletas de los reposapiés se puede ajustar de muchas formas.

1. Afloje el tornillo Allen **C** de la paleta del reposapiés con una llave Allen tamaño 4.
2. Gire la paleta del reposapiés **D** hasta la posición necesaria.
3. Vuelva a apretar el tornillo Allen.

## 4.3 Montaje de accesorios y opciones



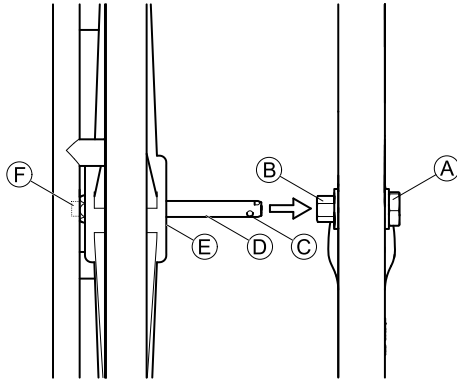
### ¡ADVERTENCIA!

#### Riesgo de lesiones

– El montaje de los accesorios y las opciones debe llevarse a cabo según las instrucciones correspondientes.



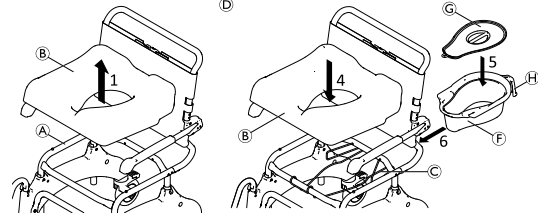
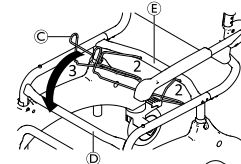
### 4.3.1 Instalación/retirada de las ruedas autopropulsadas



- Levante ligeramente la silla de ducha e inodoro.
- Introduzca el eje en el cubo **B** y presione la rueda autopropulsada sobre el eje hasta que llegue al tope **E**.
- Suelte el botón **F**.
- Compruebe que las bolas de sujeción están detrás de la tuerca hexagonal **A**.
- El montaje se realiza del mismo modo para las dos ruedas autopropulsadas derecha e izquierda.

Para desmontar las ruedas, siga el mismo procedimiento en el orden inverso.

### 4.3.2 Montaje/desmontaje del soporte de estructura de inodoro y estructura de inodoro



#### ! AVISO

- Cuando las ruedas autopropulsadas están montadas, las ruedas traseras giratorias deben permanecer bloqueadas para evitar colisiones entre las ruedas giratorias y las ruedas delanteras.
- La instalación de los cubos y los frenos de estacionamiento de las ruedas autopropulsadas debe realizarla un técnico cualificado.


- Alinee las cuatro ruedas en la dirección de la marcha.
- Bloquee todas las ruedas.
- Presione el eje **D** de la rueda autopropulsada hacia dentro. (Los aros de propulsión sobresalen hacia afuera).
- Mantenga presionado el botón **F** situado en el exterior del eje. De este modo, se liberarán las bolas de sujeción **C** del extremo del eje.




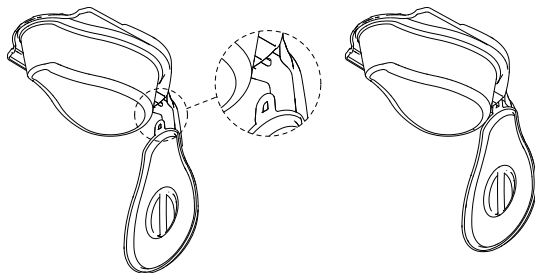
La estructura de inodoro **F** se puede insertar/extraer con o sin la tapa **G**.

- Retire el asiento **B** del chasis **A**.
- Coloque los extremos del soporte de estructura de inodoro **C** en los orificios del tubo cruzado trasero **E**.

3. Fije la parte delantera del soporte de estructura de inodoro con el tubo cruzado delantero ⑤.
4. Vuelva a colocar el asiento en el chasis.
5. Coloque la tapa o retírela de la estructura de inodoro.
6. Sostenga la estructura de inodoro por el asa ④ e insértela desde el lateral trasero entre el soporte de estructura de inodoro y el asiento.

 Empuje ligeramente hacia abajo la estructura de inodoro al insertarla o retirarla.

 La tapa se puede colgar del gancho de plástico en la parte inferior del asa de la estructura de inodoro.



## 5 Utilización

### 5.1 Información de seguridad



#### ¡ADVERTENCIA!

- Utilice la silla de ducha e inodoro únicamente sobre una superficie plana y en interiores.
- Tenga en cuenta las especificaciones de la etiqueta de identificación. No sobrecargue la silla de ducha e inodoro.
- Tenga en cuenta la etiqueta de seguridad en el asa del respaldo, *2.2 Etiquetas y símbolos en el producto, página 133*
- Antes de utilizar el producto, realice siempre una inspección visual del mismo para detectar posibles daños externos.
- Compruebe con regularidad el funcionamiento del freno de estacionamiento (solo la opción de ruedas autopropulsadas).



#### ¡ADVERTENCIA!

##### Riesgo de deslizamiento y volcado

- Antes de usar la silla, compruebe que el asiento está bien fijado a su chasis.
- Bloquee todas las ruedas con las lengüetas azules de pie antes de sentarse en la silla de ducha e inodoro o de levantarse de ella y también en la posición de estacionamiento.
- Aplique el freno de estacionamiento cuando estén montadas las ruedas autopropulsadas (opcionales).



#### ¡ADVERTENCIA!

##### Riesgo de volcado

- Gire los reposapiés hacia el lateral o pliegue hacia arriba las paletas de los reposapiés antes de sentarse o de levantarse.
- Antes de sentarse o de levantarse, gire las ruedas delanteras de tal forma que el bloqueo quede orientado hacia delante.
- Nunca se ponga de pie sobre los reposapiés.
- No se incline demasiado hacia delante.



#### ¡ADVERTENCIA!

##### Riesgo de volcado

- La silla de ducha e inodoro solo se debe desplazar por medio de la barra de empuje o de las ruedas autopropulsadas (opcionales).



#### ¡PRECAUCIÓN!

##### Riesgo de quemaduras en la piel

- Los componentes del producto pueden calentarse si se exponen a fuentes de calor externas.
- Tenga en cuenta las superficies calentadas al utilizar la silla de ducha e inodoro en la sauna o si se expone al agua caliente.
  - No exponga el producto a la luz solar directa antes de utilizarlo.



### ¡PRECAUCIÓN!

#### Riesgo de atrapamiento o aplastamiento

Puede haber un hueco muy pequeño entre la rueda trasera y el freno de estacionamiento, lo que supone un riesgo de atraparse los dedos.

- Aparte los dedos de las piezas móviles cuando use el freno, mantenga siempre la mano sobre la palanca del freno.



### ¡PRECAUCIÓN!

#### Riesgo de atrapamiento

- Cuando utilice las ruedas autopropulsadas (opcionales), no meta los dedos entre los radios o entre las ruedas y el chasis del asiento con la silla en movimiento.



### AVISO

#### Riesgo de dañar el producto

- No eleve la silla de ducha e inodoro por los reposapiés, los reposabrazos o cualquier accesorio/opción.



En el caso de usuarios con alto riesgo de ponerse de pie sobre los reposapiés (por ejemplo, con demencia), se encuentran disponibles dispositivos antivuelco frontales (opcionales) para evitar que la silla de ducha e inodoro se vuelque hacia delante.

## 5.2 Girar los reposabrazos

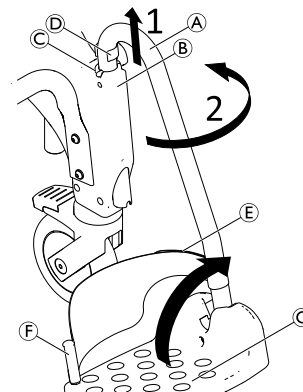


### ¡PRECAUCIÓN!

#### Riesgo de pillarse los dedos

- No meta los dedos entre el reposabrazos y el respaldo al plegar los reposabrazos.

## 5.3 Giro de los reposapiés



### Posición de subida/posición de bajada:

1. Tire ligeramente hacia arriba del reposapiés **A** por la guía **B** hasta que el pasador del clip **D** ya no encaje en la ranura **C**.
2. Gire el reposapiés hacia el lateral.



Como alternativa, las paletas del reposapiés **G** pueden girarse hacia arriba para subirse/bajarse a la silla de ducha e inodoro.

**Posición de marcha:****¡PRECAUCIÓN!**

**Riesgo de accidente debido a reposapiés sueltos**  
– Fije los reposapiés en la posición de marcha.

1. Gire el reposapiés (A) hacia adentro.
2. Presione el reposapiés hacia abajo hasta que el pasador del clip (D) encaje en la ranura (C).

**Desmontaje/montaje de la correa para el talón**

1. Abra la tira de gancho y bucle (E) de la correa para el talón.
2. Quite el tornillo (F) de la parte inferior de la paleta del reposapiés.
3. Retire la correa para el talón del pasador de plástico flexible.



Para montar la correa, siga el mismo procedimiento en el orden inverso.



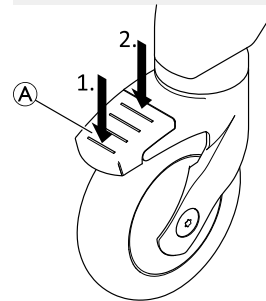
Al instalarla, compruebe que la tira de gancho y bucle de la correa para el talón queda orientada hacia atrás.

**5.4 Acoplamiento/desacoplamiento de los bloqueos de las ruedas****¡PRECAUCIÓN!**

**Riesgo de atrapamiento o aplastamiento de los dedos**

Todos los bloqueos de las ruedas se accionan con los pies.

– No accione los bloqueos de las ruedas con las manos.



1. Para bloquear los bloqueos de las ruedas, pise el extremo trasero del pedal (A) hasta que encaje.



La rueda está ahora en posición de bloqueo y no puede girar más.

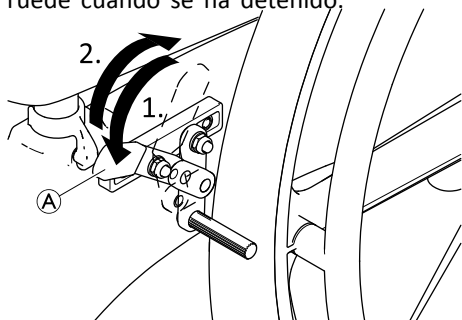
2. Para desbloquear los bloqueos de las ruedas, pise el extremo delantero del pedal A hasta que se desenganche.



La rueda con el pedal azul (bloqueo de dirección opcional) se acopla al bloqueo de giro para facilitar el movimiento recto.

## 5.5 Acoplamiento/desacoplamiento de los frenos de estacionamiento

Los frenos de estacionamiento se utilizan para inmovilizar la silla de ducha e inodoro con ruedas de 24" y evitar que ruede cuando se ha detenido.



1. Para accionar el freno de estacionamiento, empuje la palanca del freno (A) hacia delante tanto como sea posible.
2. Para quitar el freno de estacionamiento, tire de la palanca del freno hacia atrás.

---

## 6 Transporte

---

### 6.1 Información de seguridad



El producto puede desmontarse para su transporte en las piezas que se suministran en la entrega; consulte el capítulo 3.2 *Piezas principales del producto*, página 135

1. Desmonte el producto: Consulte el capítulo 4 *Instalación*, página 138 siguiendo los pasos de montaje en orden inverso.



#### **AVISO**

##### • **Riesgo de dañar el producto**

- Transporte el producto en una zona seca.
- No exponga el producto a la luz solar directa.
- Consulte las condiciones de envío y almacenamiento en el capítulo 10.3 *Parámetros medioambientales*, página 159



#### **AVISO**

- Se utilizan tornillos de seguridad, tuercas o adhesivo de bloqueo de roscas para varias conexiones. Si estos se aflojan, deberán sustituirse por nuevos tornillos de seguridad o tuercas, o deberán fijarse con nuevo adhesivo de bloqueo.

## 7 Mantenimiento

### 7.1 Mantenimiento e inspección

Si se respetan las instrucciones de seguridad y limpieza indicadas a continuación, el producto no precisa ningún mantenimiento.

Para garantizar un óptimo funcionamiento y la máxima seguridad, deben realizarse periódicamente las siguientes comprobaciones:

- Compruebe con regularidad que el producto y los accesorios/opciones no estén dañados. No utilice el producto si está defectuoso.
- En caso de daño o de funcionamiento incorrecto, se recomienda ponerse en contacto con el proveedor.
- Asegúrese de que el producto está montado de forma segura y de que los tornillos están apretados correctamente.



#### **¡ADVERTENCIA!**

##### **Riesgo de lesiones y daños**

Si el producto no está ajustado correctamente, puede provocar accidentes y lesiones graves.

- El producto deberá repararlo un técnico cualificado.
- Las partes dañadas deberá sustituirlas un técnico cualificado.
- Utilice solo recambios originales de Invacare.

## 7.2 Limpieza y desinfección

### 7.2.1 Informazioni generali sulla sicurezza



#### **AVVERTENZA!**

##### **Rischio di contaminazione**

- Adottare opportune precauzioni per la propria protezione e utilizzare un'attrezzatura protettiva adeguata.



#### **AVVISO!**

Liquidi inappropriati o metodi errati potrebbero danneggiare il prodotto.

- Tutti i prodotti detergenti e disinfettanti utilizzati devono essere efficaci, compatibili tra loro e devono proteggere i materiali su cui vengono utilizzati durante la pulizia.
- Non utilizzare mai liquidi corrosivi (sostanze alcaline, acidi, ecc.) o detergenti abrasivi. Si consiglia di utilizzare un normale prodotto detergente per la casa, come un detersivo liquido per i piatti, a meno che non siano state fornite indicazioni diverse nelle istruzioni di pulizia.
- Non utilizzare mai solventi (diluente per cellulosa, acetone, ecc.) che modificano la struttura della plastica o che sciolgono le etichette applicate.
- Prima di utilizzare il prodotto, assicurarsi sempre che sia completamente asciutto.





Per la pulizia e la disinfezione in ambienti clinici o di assistenza a lungo termine, seguire le procedure interne della struttura.

### 7.2.2 Intervalli di pulizia



#### AVVISO!

La pulizia e la disinfezione periodici consentono di assicurare il corretto e regolare funzionamento, aumentare la durata e prevenire la contaminazione. Pulire e disinfettare il prodotto:

- periodicamente durante l'uso,
- prima e dopo qualsiasi procedura di manutenzione,
- in caso di contatto con liquidi biologici,
- prima dell'uso per un nuovo utilizzatore.

### 7.2.3 Instrucciones de limpieza

El producto puede limpiarse con productos disponibles en el mercado.

#### Limpieza en un entorno doméstico

1. Retire cualquier accesorio/opción que se haya instalado (solo accesorios/opciones que no requieran herramientas).
2. Saque los reposapiés de las guías.
3. Quite la placa del asiento y la funda del respaldo.
4. Limpie las piezas individuales con un paño o cepillo y con productos de limpieza o desinfección disponibles en el mercado.
5. Enjuague las piezas con agua templada.

6. Seque las piezas con un paño.
7. Vuelva a montar el producto; consulte el capítulo 4 *Instalación, página 138*

#### Limpieza en un entorno clínico



Además del procedimiento de limpieza descrito anteriormente, recomendamos limpiar el producto antes de su uso por parte de otro paciente, tras finalizar el periodo de uso o con frecuencia (según lo que ocurra primero)

- A 90 °C durante 1 minuto
- A 85 °C durante 3 minutos
- A 80 °C durante 10 minutos en el autoclave.



#### ¡PRECAUCIÓN!

##### Riesgo de quemaduras en la piel

– Deje que el producto se enfríe tras su limpieza en la lavadora o en el autoclave.

#### Limpieza de la funda del respaldo

1. Quite la funda del respaldo.
2. Lave la funda en lavadora a una temperatura máxima de 60 °C con un detergente suave.



#### AVISO

##### Riesgo de daños

– El lavado a temperaturas más altas puede provocar daños.  
– No secar en la secadora.



### **AVISO**

Una limpieza excesiva puede dañar el tejido.  
– Se recomienda sustituir la funda del respaldo cada dos años por motivos de higiene.

### **Limpieza de la estructura de inodoro (opcional)**

La estructura de inodoro puede limpiarse en un autoclave a las temperaturas y durante los periodos de tiempo que se indican a continuación:

- A 90 °C durante 1 minuto
- A 85 °C durante 3 minutos
- A 80 °C durante 10 minutos.

#### **7.2.4 Instrucciones de desinfección**



Encontrará más información sobre los desinfectantes y los métodos recomendados en <https://vah-online.de/en/for-users>.

### **En la atención domiciliaria**

Método: Siga las instrucciones de aplicación del desinfectante y limpie y desinfecte todas las superficies accesibles.

Desinfectante: Desinfectante doméstico habitual.

Secado: Deje que el producto se seque al aire.

### **En atención clínica y a largo plazo**

Siga los procedimientos de desinfección del centro y utilice exclusivamente los desinfectantes y métodos especificados.

## 8 Después del uso

### 8.1 Almacenamiento



#### AVISO

#### Riesgo de dañar el producto

- Guarde el producto en una zona seca.
- No guarde el producto cerca de fuentes de calor.
- No exponga el producto a la luz solar directa.
- Consulte las condiciones de envío y almacenamiento en el capítulo *10.3 Parámetros medioambientales, página 159*

### 8.2 Reacondicionamiento

El producto se puede reutilizar. Para reacondicionar el producto para un nuevo usuario, lleve a cabo las siguientes acciones:

- Inspección
- Limpieza y desinfección

Para obtener información detallada, consulte **7 Mantenimiento, página 152** y el manual de servicio de este producto.

Asegúrese de que el manual del usuario se entregue con el producto.

Si se detecta algún daño o un funcionamiento deficiente, no reutilice el producto.

### 8.3 Eliminación

Proteja el medio ambiente y recicle este producto a través de la planta de reciclaje más próxima cuando llegue al final de su vida útil.

Desmante el producto y sus componentes para separar y reciclar individualmente los diferentes materiales.

La eliminación y el reciclaje de los productos usados y de sus embalajes debe llevarse a cabo conforme a las normativas legales relativas al tratamiento de residuos vigentes en cada país. Póngase en contacto con su empresa de gestión de residuos local para obtener más información al respecto.

## 9 Solución de problemas

### 9.1 Identificación y reparación de fallos

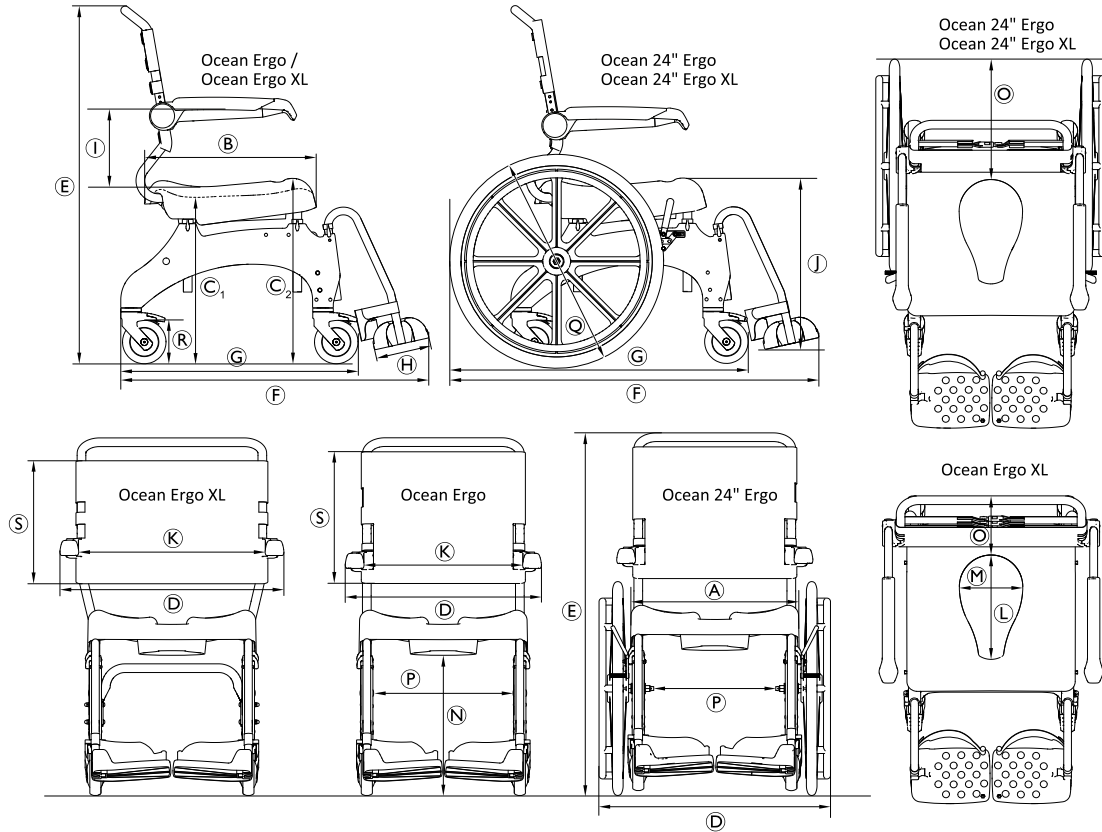


En la siguiente tabla se incluye información sobre fallos de funcionamiento y sus posibles causas. Si no puede corregir el fallo de funcionamiento con las soluciones indicadas, póngase en contacto directamente con su distribuidor especialista.

Fallo	Posible causa	Solución
Dificultad a la hora de ajustar la altura del asiento	Suciedad entre el chasis del asiento y la sección lateral	Desmonte el producto en las piezas que se envían originalmente y límpielas bien.
Las ruedas giran con dificultad o no giran	Hay suciedad acumulada entre la horquilla y la llanta	Limpie a fondo las ruedas.
Dificultad a la hora de empujar los reposapiés hacia el lateral	Depósitos en las guías	Limpie a fondo los reposapiés y las guías.
El freno de estacionamiento de las ruedas autopropulsadas (opcionales) no embraga	Freno de estacionamiento mal ajustado	El freno de estacionamiento deberá ajustarlo un técnico cualificado.

## 10 Datos Técnicos

### 10.1 Dimensiones y peso



	Ocean Ergo	Ocean Ergo XL	Ocean 24" Ergo	Ocean 24" Ergo XL
Ⓐ	480 mm			
Ⓑ	480 mm			
Ⓒ <sub>1</sub>	De 440 mm a 600 mm			De 475 mm a 600 mm
Ⓒ <sub>2</sub>	De 498 mm a 658 mm			De 533 mm a 658 mm
Ⓓ	565 mm	645 mm	670 mm	
Ⓔ	De 985 mm a 1145 mm		De 1010 mm a 1170 mm	De 1045 mm a 1170 mm
Ⓕ	905 mm		1050 mm	
Ⓖ	700 mm		850 mm	
Ⓗ	160 mm			
Ⓘ	215 mm / 253 mm / 290 mm	253 mm / 290 mm	215 mm / 253 mm / 290 mm	253 mm / 290 mm
Ⓙ	De 260 mm a 570 mm			De 295 mm a 570 mm
Ⓚ	475 mm	555 mm	475 mm	555 mm
Ⓛ	350 mm (parte superior) / 300 mm (parte inferior)			
Ⓜ	250 mm (parte superior) / 182 mm (parte inferior)			
Ⓝ	De 365 mm a 525 mm			De 400 mm a 525 mm
Ⓞ	200 mm		355 mm	
Ⓟ	405 mm		360 mm	
Ⓠ	—		Æ 24" (610 mm)	
Ⓡ	Æ 5" (127 mm)			

	Ocean Ergo	Ocean Ergo XL	Ocean 24" Ergo	Ocean 24" Ergo XL
Ⓢ	390 mm	350 mm	390 mm	350 mm
Diámetro de giro	2100 mm		1940 mm	
Anchura de marcha atrás	1070 mm		1240 mm	
Peso del producto	17 kg	18 kg	23 kg	24 kg
Peso máximo de usuario	150 kg	180 kg	150 kg	180 kg

## 10.2 Materiales

Chasis	Acero inoxidable, pintura electrostática
Tubo del reposapiés	Acero inoxidable
Placa de asiento	Polipropileno, reforzado con fibra de vidrio
Funda del respaldo	Nailon, revestimiento de PVC
Placa del reposapiés/piezas laterales	Polipropileno, reforzado con fibra de vidrio
Reposabrazos	Poliamida, reforzada con fibra de vidrio

Ruedas giratorias	Plásticos y acero inoxidable
Superficie de rodadura de ruedas de 24"	PUR

Todos los componentes del producto son resistentes a la corrosión y no contienen látex de caucho natural.

## 10.3 Parámetros medioambientales

Condiciones de funcionamiento	
Temperatura ambiente	De 10 a 65 °C
Humedad relativa	Del 15 % al 93 % sin condensación
Presión atmosférica	De 795 a 1060 hPa
Condiciones de envío y almacenamiento	

Temperatura ambiente	De 0 a 40 °C
Humedad relativa	Del 30 % al 75 % sin condensación
Presión atmosférica	De 795 a 1060 hPa



# Índice

Este manual TEM de ser fornecido ao utilizador do produto. ANTES de utilizar este produto, este manual DEVE ser lido e guardado para referência futura.

<b>1 Geral</b>	<b>162</b>
1.1 Introdução	162
1.2 Símbolos neste documento	162
1.3 Informações da garantia	163
1.4 Conformidade	163
1.4.1 Normas específicas do produto	163
1.5 Vida útil	163
<b>2 Segurança</b>	<b>164</b>
2.1 Informações de segurança	164
2.2 Etiquetas e símbolos no produto	165
<b>3 Descrição geral do produto</b>	<b>167</b>
3.1 Utilização prevista	167
3.2 Principais peças do produto	167
<b>4 Configuração</b>	<b>169</b>
4.1 Informações de segurança	169
4.2 Montar o produto	169
4.2.1 Instalar o tubo da estrutura de assento para ajuste da altura	169
4.2.2 Instalar o encosto	172
4.2.3 Instalar e remover a placa de assento	173
4.2.4 Definir a altura do apoio de braço	174
4.2.5 Instalar os apoios de pés	175
4.3 Montagem de acessórios e opções	176
4.3.1 Instalar/Remover as rodas autopropulsoras	176
4.3.2 Instalar/Remover o suporte da aparadeira e a aparadeira	177
<b>5 Utilização</b>	<b>178</b>
5.1 Informações de segurança	178

5.2 Rodar os apoios de braços	179
5.3 Rebater os apoios de pés	180
5.4 Engatar/Desengatar os bloqueios dos rodízios	180
5.5 Engatar/Desengatar os travões de estacionamento	181
<b>6 Transporte</b>	<b>182</b>
6.1 Informações de segurança	182
<b>7 Manutenção</b>	<b>183</b>
7.1 Manutenção e inspeção	183
7.2 Limpeza e desinfecção	183
7.2.1 Informações gerais de segurança	183
7.2.2 Intervalos de limpeza	184
7.2.3 Instruções de limpeza	184
7.2.4 Instruções de desinfecção	185
<b>8 Após a utilização</b>	<b>186</b>
8.1 Armazenamento	186
8.2 Recondicionamento	186
8.3 Eliminação	186
<b>9 Resolução de problemas</b>	<b>187</b>
9.1 Identificar e reparar falhas	187
<b>10 Características Técnicas</b>	<b>188</b>
10.1 Dimensões e peso	188
10.2 Materiais	190
10.3 Parâmetros ambientais	190

# 1 Geral

## 1.1 Introdução

Este manual de utilização contém informações importantes sobre o manuseamento do produto. Para garantir a segurança durante a utilização do produto, leia atentamente o manual de utilização e siga as instruções de segurança.

Utilize este produto apenas se tiver lido e compreendido este manual. Procure aconselhamento adicional junto de um profissional de saúde que esteja familiarizado com a sua condição médica e esclareça quaisquer questões relativas à utilização correta e ao ajuste necessário com o profissional de saúde.

Tenha em atenção que este documento pode conter secções não aplicáveis ao seu produto, uma vez que se refere a todos os modelos disponíveis (à data da impressão). Salvo menção em contrário, cada secção deste documento refere-se a todos os modelos do produto.

As configurações e os modelos disponíveis no seu país podem ser encontrados em documentos de venda específicos do país.

A Invacare reserva-se o direito de alterar as especificações do produto sem aviso prévio.

Antes de ler este documento, certifique-se de que tem a versão mais recente. A versão mais recente está disponível no site da Invacare, em formato PDF.

Se o tamanho do tipo de letra no documento impresso for difícil de ler, pode transferir uma versão em PDF do manual

a partir do site. A imagem do PDF pode ser ajustada no ecrã para um tamanho de tipo de letra que lhe seja mais cómodo.

Para obter mais informações sobre o produto, por exemplo, avisos de segurança de produtos e retiradas de produtos do mercado, contacte o seu distribuidor da Invacare. Consulte os endereços no final deste documento.

Em caso de incidente grave com o produto, deve informar o fabricante e as autoridades competentes do seu país.

## 1.2 Símbolos neste documento

Este documento inclui símbolos e palavras de sinalização que se aplicam a riscos ou práticas perigosas que podem resultar em lesões pessoais ou danos materiais. Consulte as informações abaixo para obter as definições das palavras de sinalização.



### ADVERTÊNCIA

Indica uma situação perigosa que, se não for evitada, poderá resultar em morte ou em lesão grave.



### ATENÇÃO

Indica uma situação perigosa que, se não for evitada, poderá resultar em lesões menores ou ligeiras.

- ! AVISO  
Indica uma situação perigosa que, se não for evitada, poderá resultar em danos à propriedade.
- o Sugestões e recomendações  
Fornece sugestões, recomendações e informações úteis para uma utilização eficiente e isenta de problemas.

### Outros símbolos

(Não se aplica a todos os manuais)



Responsável no Reino Unido  
Indica que um produto não foi fabricado no Reino Unido.



Pessoa e três setas  
Indica regras de reciclagem e separação (apenas relevante em França).

## 1.3 Informações da garantia

Facultamos uma garantia de fabrico para o produto, em conformidade com os nossos Termos e Condições Gerais de Compra nos respetivos países.

As reclamações de garantia só podem ser realizadas através do fornecedor ao qual o produto foi adquirido.

## 1.4 Conformidade

A qualidade é fundamental para o funcionamento da empresa, estando em conformidade com a norma ISO 13485.

Este produto apresenta a marcação CE, em conformidade com o Regulamento de dispositivos médicos 2017/745, Classe I.

Este produto apresenta a marca UKCA, em conformidade com a Parte II do regulamento UK MDR 2002 (atualizado) para Classe I do Reino Unido.

Temos empreendido um esforço contínuo para reduzir ao mínimo o impacto local e global da empresa no ambiente.

Apenas utilizamos materiais e componentes que cumprem a diretiva REACH.

### 1.4.1 Normas específicas do produto

O produto foi testado e está em conformidade com a norma ISO 17966 (Produtos de assistência para higiene pessoal dos utilizadores) e com todas as normas relacionadas. Tal inclui testes relacionados com a inflamabilidade. A ignição por combustão lenta progressiva e a ignição por chama não ocorrem.

Para obter informações adicionais sobre as normas e os regulamentos locais, contacte o representante local da Invacare. Consulte os endereços no final deste documento.

## 1.5 Vida útil

A vida útil prevista deste produto é de cinco anos, quando o mesmo é utilizado diariamente e em conformidade com as instruções de segurança, intervalos de manutenção e utilização correcta indicados neste manual. A vida útil efectiva pode variar de acordo com a frequência e intensidade de utilização.

## 2 Segurança

### 2.1 Informações de segurança



#### **ADVERTÊNCIA!**

##### **Risco de lesão grave ou danos**

A utilização incorreta deste produto pode causar lesões ou danos.

- Se não compreender as advertências, avisos ou instruções, contacte um profissional de cuidados de saúde ou o fornecedor antes de tentar utilizar este equipamento.
- Não utilize este produto ou qualquer equipamento opcional disponível sem primeiro ler e compreender estas instruções e todo o material de instrução adicional, assim como os manuais de utilização, os manuais de assistência ou os folhetos de instruções fornecidos com este produto ou com equipamento opcional.



#### **ADVERTÊNCIA!**

##### **Risco de lesões**

- Antes de cada utilização, verifique o produto, procurando sinais de danos e assegurando que está montado de forma segura.
- Antes da primeira utilização, limpe rigorosamente o produto.



#### **ADVERTÊNCIA!**

##### **Risco de lesões**

A utilização incorreta deste produto pode causar lesões ou danos.

- Não utilizar se apresentar defeitos.
- Em caso de avaria, contacte imediatamente o seu fornecedor.
- Não faça quaisquer modificações ou alterações não autorizadas no produto.
- Utilize apenas acessórios/opções fabricados para este produto.



#### **ADVERTÊNCIA!**

##### **Risco de lesões**

A utilização incorreta deste produto pode causar lesões ou danos.

- Não levantar o produto quando incluir carga.
- Não se coloque de pé em cima do produto.



#### **ATENÇÃO!**

##### **Risco de lesão**

Peças não originais ou incorretas podem afetar o funcionamento e a segurança do produto.

- Utilize apenas peças originais para o produto em utilização.
- Devido a diferenças regionais, consulte o site ou o catálogo local da Invacare para obter informações sobre as opções disponíveis ou contacte o seu representante local da Invacare. Consulte os endereços no final deste documento.

**AVISO!**

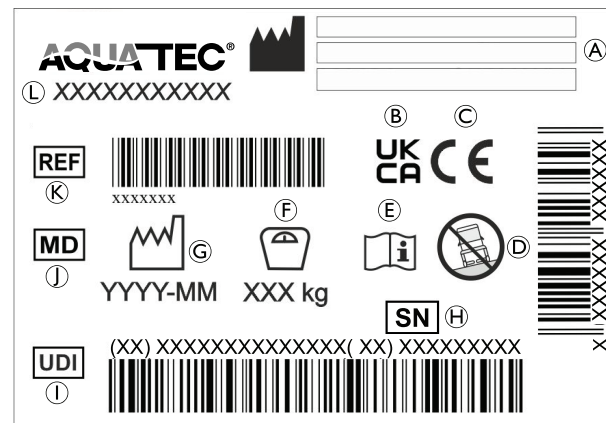
Quando combinar este com outro produto, as restrições de ambos os produtos aplicam-se à combinação. Por exemplo, o peso máximo do utilizador de um produto na combinação pode ser inferior.

- Utilize apenas as combinações permitidas pela Invacare. Para obter informações, contacte o seu distribuidor da Invacare.
- Antes de utilizar, leia o manual de utilização de cada produto e verifique as restrições. Para uma utilização segura, é necessária a conformidade total das informações, instruções e recomendações contidas em ambos os manuais de utilização.

## 2.2 Etiquetas e símbolos no produto


### Placa de características

A placa de características contém informações importantes:




(A)	Morada do fabricante
(B)	Avaliação de conformidade do Reino Unido
(C)	Conformidade Europeia
(D)	Para utilização apenas em terreno plano
(E)	Ler o manual de utilização
(F)	Peso máximo do utilizador
(G)	Data de fabrico
(H)	Número de série
(I)	Identificador único do dispositivo
(J)	Dispositivo médico

Ⓚ	Número de referência
Ⓛ	Designação do produto

 A placa de características encontra-se fixada no interior da parte lateral esquerda.

### Etiquetas no produto

A seguinte etiqueta está fixada ao manípulo do encosto:	
Etiqueta	Descrição
	<p><b>ADVERTÊNCIA!</b></p> <p>Risco de basculação</p> <ul style="list-style-type: none"> <li>– Não pise o apoio de pés ao sentar-se ou levantar-se da cadeira de duche e sanita.</li> <li>– Empurre os apoios de pés para os lados ou dobre as placas de pés para cima antes de se sentar ou levantar da cadeira de duche e sanita.</li> <li>– Antes de se sentar ou levantar, rode os rodízios de modo a que o bloqueio aponte para cima.</li> <li>– Não se incline demasiado para a frente ao sentar-se na cadeira de duche e sanita.</li> </ul>

## 3 Descrição geral do produto

### 3.1 Utilização prevista

As cadeiras Aquatec Ocean Ergo e Aquatec Ocean Ergo XL são cadeiras móveis de chuveiro e sanita com chassis em aço inoxidável, altura do assento individualmente ajustável, encosto de tensão ajustável, apoios de braços rebatíveis e placas de pés texturadas de ângulo ajustável e rebatíveis. O produto também está disponível como um modelo de rodas de 24" para autopropulsão.

Estas cadeiras móveis de duche e sanita destinam-se a apoiar atividades de higiene pessoal com ou sem assistência em ambiente institucional e doméstico.

A cadeira de duche e sanita só pode ser utilizada como cadeira de banho numa piscina, se a piscina não contiver água salgada e se houver um assistente sempre presente.

Temperatura de utilização (apenas no interior): 10 - 65 °C

#### Utilizadores previstos

O utilizador pretendido é a pessoa sentada na cadeira de chuveiro e sanita ou um assistente. O dispositivo pode ser utilizado por adolescentes ou adultos com uma altura igual ou superior a 146 cm, um peso igual ou superior a 40 kg e um índice de massa corporal igual ou superior a 16.

Para obter informações sobre o peso máximo do utilizador do produto, consulte *10 Características Técnicas, página 188*

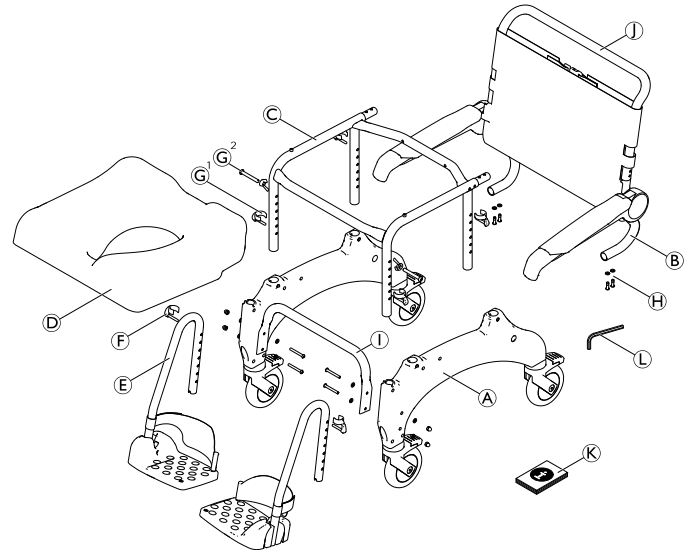
#### Indicações

- Dificuldades em manter-se de pé ou manter o equilíbrio,
- pernas frágeis ou invalidez dos membros inferiores,

- condições clínicas que interferem com o equilíbrio.

Não existem nenhuma(s) contraindicação(s) conhecidas quando o produto é utilizado da forma prevista.

### 3.2 Principais peças do produto



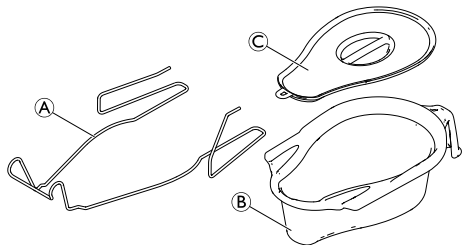
(A)	Parte lateral com rodízios (esquerdo e direito)
(B)	Encosto com capa de encosto e apoios de braços
(C)	Estrutura de assento
(D)	Assento

Ⓔ	Apoio de pés com presilha de calcanhar (esquerdo e direito)
Ⓕ	Grampos (2 x) para o apoio de pés (inseridos)
Ⓖ <sup>1</sup>	Grampos (4x) para ajuste da altura do assento
Ⓖ <sup>2</sup>	Parafusos e parafusos de orelhas (2x) para ajuste da altura do assento inferior
Ⓗ	Parafusos e anilhas (4 x)
Ⓘ	Tubo de estabilização da base com parafusos (4 x), anilhas (8 x) e porcas (4x) - Apenas Ocean XL
Ⓙ	Barra de empurrar
Ⓚ	Manual de utilização
Ⓛ	Chave Allen AF 4



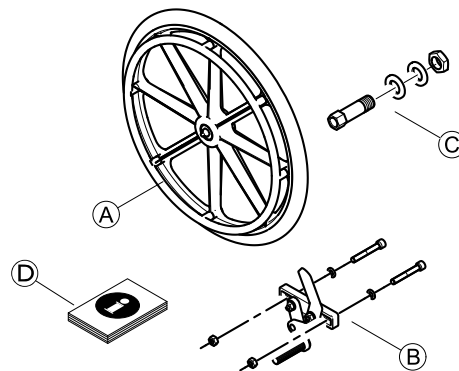
Tenha em atenção a mudança nas dimensões ao encaixar as rodas autopropulsoras. Para obter informações detalhadas, consulte o capítulo 10 *Características Técnicas, página 188*

### Suporte de aparadeira com aparadeira (opcional)



Ⓐ	Suporte de aparadeira
Ⓑ	Aparadeira
Ⓒ	Tampa

### Rodas autopropulsoras com bloqueio das rodas (opcional)



Ⓐ	Rodas autopropulsoras (2 x)
Ⓑ	Travões de estacionamento (2 x) com parafusos (4 x), anilhas (4 x) e porcas (4 x)
Ⓒ	Cubos com eixos, anilhas e porcas (2 x)
Ⓓ	Instruções de montagem



## 4 Configuração

### 4.1 Informações de segurança



#### ADVERTÊNCIA!

- Verifique se as peças foram danificadas durante o transporte e, se necessário, contacte o fornecedor.
- Durante a montagem, certifique-se de que as peças estão posicionadas corretamente em relação umas às outras.
- São utilizados para várias ligações parafusos e porcas de bloqueio automático ou adesivos de bloqueio de rosca. Se estes tiverem soltos, deverão ser substituídos por novos parafusos ou porcas de bloqueio automático, ou deverão ser fixados utilizando novo adesivo de bloqueio de rosca.



#### ATENÇÃO!

#### Risco de trilhada

- Tenha cuidado durante a montagem.

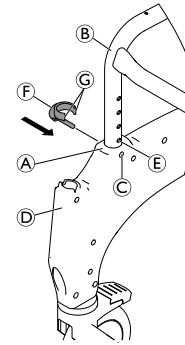
### 4.2 Montar o produto

Esta secção descreve a montagem. A desmontagem funciona da forma inversa.



Para a cadeira estar perfeitamente adaptada ao utilizador, a altura do apoio de braço, a altura do apoio de pés, o ângulo do apoio de pés, a presilha de calcanhar, a tensão da capa do encosto e os acessórios/opções têm de estar bem ajustados.

#### 4.2.1 Instalar o tubo da estrutura de assento para ajuste da altura



1. Retire os grampos ⑥ incluídos do saco.
2. Coloque a estrutura de assento de lado.



Empurre a secção lateral de modo uniforme para o chassis, sem torcer.

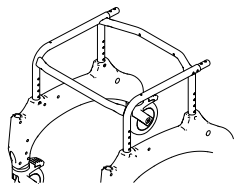


#### IMPORTANTE

- Fixe a secção lateral à mesma altura, tanto à frente como atrás.
3. Pressione a peça lateral ① com as guias para os apoios dos pés ② para a frente, na estrutura de assento ③.



Certifique-se de que a placa de características se encontra no interior da parte do lado esquerdo.



Certifique-se de que a orientação da estrutura de assento está correta.

4. Alinhe os encaixes dos grampas © na parte da frente e de trás da secção lateral com um orifício na estrutura de assento ⑤.
5. Insira os grampas ⑥ desde o lado de fora na secção lateral, até que as extremidades dos grampos © rodeiem o tubo da estrutura de assento ③.



#### IMPORTANTE

- Certifique-se que os quatro grampos estão todos bem apertados.
- Certifique-se de que as peças laterais esquerda e direita estão ajustadas à mesma altura.

6. Rode a estrutura de assento e repita o procedimento na segunda secção lateral.
7. Coloque a estrutura de assento com as secções laterais encaixadas nas respetivas rodas.

#### Ajustar a altura do assento (exceto as duas posições mais baixas)



#### ADVERTÊNCIA!

- Certifique-se que os quatro grampos estão todos bem apertados.
- Certifique-se de que o assento está ajustado à mesma altura em ambos os lados.
- Não ajuste a altura do assento quando alguém está sentado na cadeira de duche e sanita.

1. Levante ligeiramente um dos lados da cadeira de duche, segurando na mesma pela estrutura de assento ③.
2. Retire os dois grampos ⑥ deste lado.
3. Puxe a estrutura de assento, na direção exterior à secção lateral ④ ou empurre-a para dentro da secção lateral para ajustar a altura do assento.
4. Volte a pressionar completamente os dois grampos.
5. Repita os passos 1 - 4 do outro lado.



A altura do assento pode ser ajustada para acomodar situações diferentes de utilização, por exemplo, a transferência a partir de uma cama ou cadeira de rodas ou a utilização sobre uma sanita, etc.

## Ajustar a altura do assento para as duas posições mais baixas



### ADVERTÊNCIA! Risco de lesões

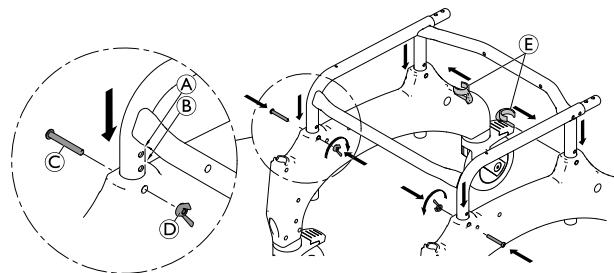
Se for necessário ajustar a estrutura de assento para as posições mais baixas possíveis **A** ou **B**, uma montagem incorreta pode provocar lesões ou danos.

- Não utilize grampos para fixar a estrutura de assento na parte frontal das partes laterais.
- Utilize parafusos e parafusos de orelhas (consulte 3.2 *Principais peças do produto, página 16*) para fixar a estrutura de assento na parte frontal das partes laterais.



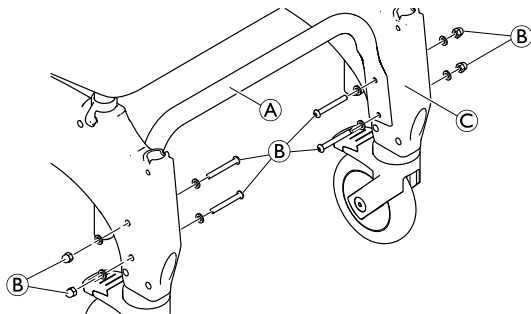
### ADVERTÊNCIA!

- Certifique-se de que todas as ferragens de fixação estão bem presas.
- Certifique-se de que o assento está ajustado à mesma altura em ambos os lados.
- Não ajuste a altura do assento quando alguém está sentado na cadeira de duche e sanita.



1. Levante ligeiramente um dos lados da cadeira de duche e sanita, segurando na mesma pela estrutura de assento.
2. Retire os dois grampos deste lado.
3. Empurre a estrutura de assento para dentro da parte lateral para ajustar a altura do assento.
4. Insira o parafuso **C**.
5. Fixe com o parafuso de orelhas **D**.
6. Para fixar a parte traseira da parte lateral, volte a empurrar o grampo **E** para dentro completamente a partir do interior da estrutura.
7. Repita os passos 1 - 6 do outro lado.

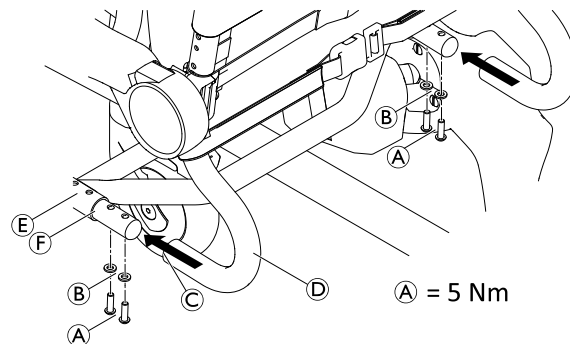
## Instalar o tubo de estabilização da base (apenas para o modelo Ocean Ergo XL)



1. Instale o tubo de estabilização da base (A) entre as peças laterais (B) utilizando os parafusos e porcas (B) fornecidos. Certifique-se de que o tubo de estabilização está voltado para a cima.
2. Aperte os parafusos até um torque de 5 Nm.

## 4.2.2 Instalar o encosto

1. Empurre os quatro pedais dos rodízios para baixo para os bloquear.



2. Empurre o encosto (D) desde o lado traseiro sobre a estrutura de assento (E), até que o aro (C) fique encostado ao tubo da estrutura de assento (F).
3. Posicione a anilha (B) em cada parafuso e fixe o encosto em cada lado com um torque de 5 Nm utilizando a chave Allen fornecida.

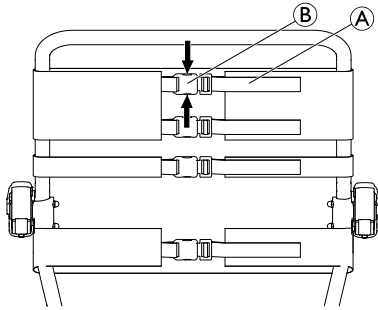


### IMPORTANTE!

- Verifique regularmente os parafusos para assegurar que estão apertados com segurança.

### Ajustar a capa do encosto

É possível ajustar a tensão da capa do encosto conforme necessário.

**ADVERTÊNCIA!**

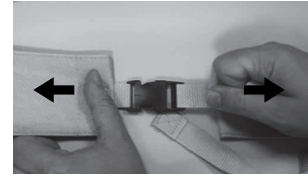
– Certifique-se de que são passados pelo menos três cintos à volta da estrutura do encosto (na parte exterior) e que as fivelas dos cintos são fechadas.

Apertar:

1. Puxe os cintos **A** da capa do encosto para os apertar.

Desapertar:

1. Abra as fivelas **B** apertando as presilhas de retenção em conjunto (setas).
2. Empurre os cintos ligeiramente através da fivela.
3. Feche as fivelas dos cintos.
4. Volte a apertar os cintos com cuidado.

**ADVERTÊNCIA!**

**Risco de lesão devido a fivelas do encosto danificadas!**

Verifique se as fivelas do encosto estão fechadas de forma segura sempre que o produto for objeto de manutenção ou recondiçãoamento.

- Verifique se todas as fivelas estão fixas de forma segura, fechando as fivelas e puxando ambas as extremidades.
- Substitua o encosto/as fivelas do encosto se uma fivela se abrir sob a força exercida.

**4.2.3 Instalar e remover a placa de assento****Instalar**

1. Coloque a placa de assento na estrutura de assento com o corte virado para a frente.
2. Com a palma da mão, pressione a placa de assento para baixo nos lados e depois à frente e atrás até que esta encaixe na estrutura de assento.

**Remoção**

1. Puxe a placa de assento no sentido ascendente pela parte traseira.

#### 4.2.4 Definir a altura do apoio de braço

1. Abra a fivela do cinto na capa do encosto, que passa pela parte interior da estrutura do encosto.
2. Abra a fivela do cinto na capa do encosto, por cima do apoio de braço.

**i** Ao ajustar para uma posição inferior, o cinto por baixo do apoio de braço deve estar aberto.

3. Passe este cinto pelo interior da estrutura do encosto e volte a fechá-lo.
- 4.

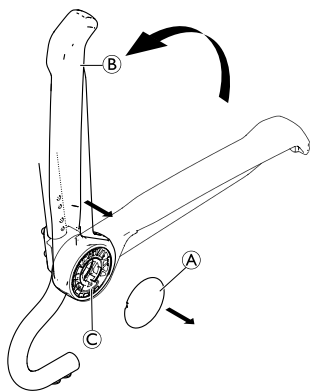


Fig. 4-1

Remova a tampa **A**.

5. Dobre o apoio de braço **B** para cima para o retirar do suporte do apoio de braço **C**.

6.

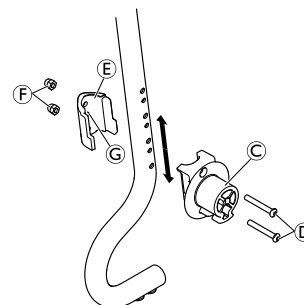


Fig. 4-2

Retire os parafusos **D** do suporte do apoio de braço **C** com a chave Allen fornecida.

7. Retire o grampo de fixação **E** com as porcas **F** do interior da estrutura do encosto.

**i** As porcas são inseridas sem estarem apertadas no grampo de fixação e podem cair.

8. Para reinstalar o suporte do apoio de braço e o grampo de fixação na posição pretendida, insira os parafusos **D** no suporte do apoio de braço e guie-os através dos orifícios pretendidos na estrutura do encosto.

**i** Os orifícios mais pequenos no interior da estrutura do encosto prendem o grampo de fixação.

9. Coloque o grampo de fixação de modo a engatar o orifício mais pequeno ao prender **C** o grampo de fixação.
10. Aperte os parafusos **D** com 5 - 6 Nm e as porcas **F**.

11.

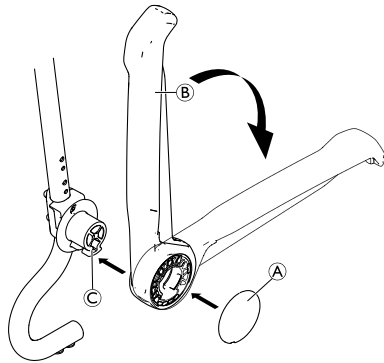


Fig. 4-3

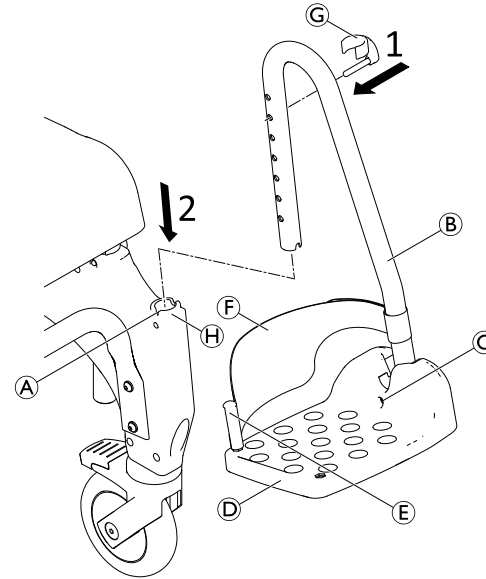
Reinstale o apoio de braço **B** no suporte **C**.

12. Dobre o apoio de braço para baixo.
13. Reinstale a tampa **A**.
14. Passe o cinto aberto da capa do encosto pelo exterior da estrutura do encosto, feche as fivelas dos cintos e aperte todos os cintos.
15. O procedimento de ajuste da altura é igual para o apoio de braço direito e esquerdo.



Para instalar acessórios/opções, pode abrir o terceiro cinto a contar de cima e a capa do encosto pode passar pela estrutura do encosto pelo interior.

#### 4.2.5 Instalar os apoios de pés




1. Insira o pino do grampo **G** a partir do lado de fora no orifício necessário no apoio de pés **B**. Certifique-se de que o grampo engata à volta do tubo.
2. Insira o apoio de pés na guia **H** na frente da parte lateral até o pino do grampo **G** engatar na ranhura **A**. Deixa de ser possível virar o apoio de pés de lado.




O procedimento de montagem é o mesmo para o apoio de pés direito e esquerdo.

#### Ajustar a altura dos apoios de pés

 Se necessário, os apoios de pés podem ser encurtados (consulte o manual de assistência). O encurtamento dos apoios de pés só pode ser realizado por um técnico qualificado.

1. Puxe ligeiramente o apoio de pés **B** para cima.
2. Puxe o grampo **C** para fora do orifício no apoio de pés e volte a inseri-lo no orifício pretendido. Se necessário, puxe o apoio de pés um pouco mais.
3. Pressione o apoio de pés para baixo até o pino do grampo **C** engatar na ranhura **A**.
4. Coloque o outro apoio de pés à altura pretendida da forma descrita.

#### Ajustar a inclinação das placas de pés

 A inclinação das placas de pés pode ser ajustada de várias formas.

1. Desaperte o parafuso Allen **C** da placa de pé utilizando uma chave Allen de tamanho 4.
2. Rode a placa de pé **D** para a posição pretendida.
3. Volte a apertar o parafuso Allen.

### 4.3 Montagem de acessórios e opções

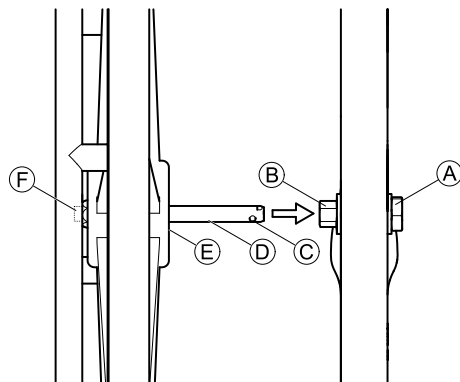


#### **ADVERTÊNCIA!**

#### **Risco de lesão**

– A montagem dos acessórios e opções tem de ser realizada de acordo com as instruções correspondentes.

#### 4.3.1 Instalar/Remover as rodas autopropulsoras



#### **AVISO!**

- Quando as rodas autopropulsoras estão montadas, os rodízios traseiros devem permanecer bloqueados para evitar a colisão entre o rodízio e a roda.
- Os cubos e os travões de estacionamento das rodas autopropulsoras devem ser encaixados por um técnico qualificado.

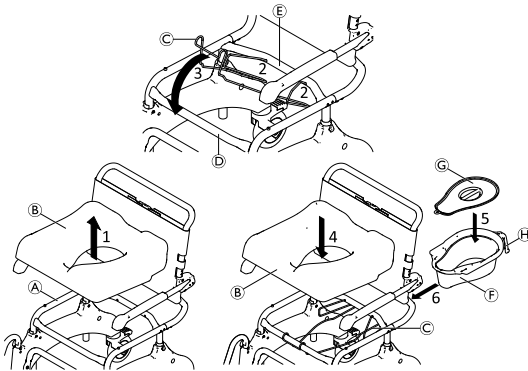
1. Alinhe os quatro rodízios na direção de condução.
2. Bloqueie todos os rodízios.
3. Empurre o eixo **D** das rodas autopropulsoras para dentro. (O aro de mãos fica orientado para fora.)
4. Prima e mantenha premido o botão **F** no exterior do eixo. Deste modo, solta as esferas de fixação **C** na extremidade do eixo.
5. Levante ligeiramente a cadeira de duche e sanita.



6. Insira o eixo no cubo ⑥ e pressione a roda autopropulsora contra o eixo até ao batente ⑤.
7. Solte o botão ⑥.
8. Certifique-se de que as esferas de fixação ficam por trás da porca hexagonal ④.
9. A montagem é igual para as rodas autopropulsoras esquerda e direita.

Para retirar as rodas, execute o mesmo procedimento pela ordem inversa.

### 4.3.2 Instalar/Remover o suporte da aparadeira e a aparadeira



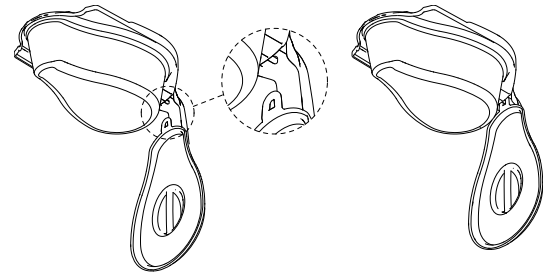
**i** O suporte da aparadeira ⑥ pode ser inserido/retirado com ou sem a tampa ⑦.

1. Retire o assento ⑥ do chassis ④.
2. Insira as extremidades do suporte da aparadeira ③ pelos orifícios do tubo transversal traseiro ⑤.

3. Engate a parte dianteira do suporte da aparadeira no tubo transversal dianteiro ④.
4. Reajuste o assento ao chassis.
5. Coloque a tampa ou retire-a da aparadeira.
6. Segure a aparadeira pelo seu manípulo ⑧ e insira o lado traseiro entre o suporte da aparadeira e o assento.

**i** Pressione a aparadeira ligeiramente para baixo ao inserir ou retirar.

**i** A tampa pode ser pendurada no gancho de plástico por baixo do manípulo da aparadeira.



## 5 Utilização

### 5.1 Informações de segurança



#### **ADVERTÊNCIA!**

- Utilize a cadeira de duche e sanita apenas numa superfície plana e em espaços interiores.
- Respeite as especificações da placa de características. Não sobrecarregue a cadeira de duche e sanita.
- Observe a etiqueta de segurança no manípulo do encosto, *2.2 Etiquetas e símbolos no produto, página 165*
- Antes de cada utilização, realize sempre uma inspeção visual do produto, procurando sinais de danos exteriores.
- Verifique regularmente a função do travão de estacionamento (opção apenas para as rodas autopropulsoras).



#### **ADVERTÊNCIA!**

##### **Risco de escorregar**

- Antes de utilizar a cadeira sanitária, certifique-se de que o assento está bem preso à estrutura de assento.
- Prenda os rodízios com alavancas utilizando as alavancas de pé antes de se sentar ou levantar da cadeira de duche e sanita, e quando se encontra na posição de estacionamento.
- Aplique o travão de estacionamento quando as rodas autopropulsoras estiverem encaixadas (opcional).



#### **ADVERTÊNCIA!**

##### **Risco de basculação**

- Rebata os apoios de pés lateralmente ou dobre as placas de pé para cima antes de se sentar ou levantar.
- Antes de se sentar ou levantar, rode os rodízios dianteiros de modo a que o bloqueio aponte para cima.
- Nunca se coloque de pé sobre os apoios de pés.
- Não se incline excessivamente para a frente.



#### **ADVERTÊNCIA!**

##### **Risco de basculação**

- A cadeira de duche e sanita só deve ser deslocada usando a barra de empurrar ou as rodas autopropulsoras (opcional).

**ATENÇÃO!****Risco de queimaduras na pele**

Os componentes do produto podem aquecer quando são expostos a fontes externas de calor.

- Tenha em atenção as superfícies aquecidas quando utilizar a cadeira de duche e sanita na sauna ou em caso de exposição a água quente.
- Não exponha o produto a luz solar direta antes da utilização.

**ATENÇÃO!****Risco de trilhadeira ou esmagamento**

Pode existir um espaço muito pequeno entre a roda traseira e o travão de estacionamento que apresenta o risco de entalar os dedos.

- Mantenha os dedos afastados das peças em movimento quando utilizar o travão e mantenha sempre a mão na alavanca de travagem.

**ATENÇÃO!****Risco de trilhadeira**

- Quando utilizar as rodas autopropulsoras (opcional), não insira os dedos entre os espigões ou entre as rodas autopropulsoras em movimento e a estrutura de assento no curso de uma deslocação.

**AVISO!****Risco de danos no produto**

- Não levante a cadeira de duche e sanita utilizando os apoios de pés, os apoios de braços ou quaisquer outros acessórios/opções.



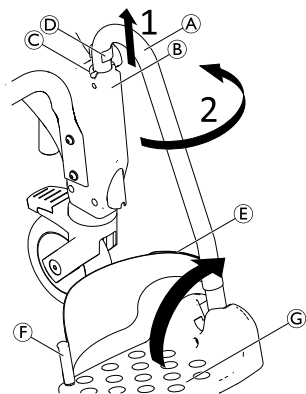
Para os utilizadores com elevado risco de se porem de pé nos apoios de pés (por exemplo, utilizadores com demência), estão disponíveis dispositivos antiqueda frontais (opcional) para impedir que a cadeira de duche e sanita tombe para a frente.

## 5.2 Rodar os apoios de braços

**ATENÇÃO!****Risco de trilhar os dedos**


- Não coloque os dedos entre o apoio de braço e o encosto ao dobrar os apoios de braços para trás.

### 5.3 Rebater os apoios de pés



#### Posição de entrada/saída:

1. Puxe o apoio de pés **A** ligeiramente para cima na guia **B** até o pino do grampo **D** deixar de estar engatado na ranhura **C**.
2. Rebata o apoio de pés para o lado.

 Em alternativa, é possível rebater as placas de pés **G** para cima para entrar/sair da cadeira de duche e sanita.

#### Posição de condução:



#### **ATENÇÃO!**

**Risco de acidente devido a um apoio de pés solto**

– Fixe os apoios de pés na posição de condução.

1. Rode o apoio de pés **A** para dentro.
2. Pressione o apoio de pés no sentido para baixo, até o pino do grampo **D** engatar na ranhura **C**.

#### Remover/Encaixar a presilha de calcanhar

1. Abra a tira adesiva **E** na presilha de calcanhar.
2. Retire o parafuso **F** da parte inferior da placa de pé.
3. Retire a presilha de calcanhar do pino de plástico flexível.



Para prender a correia, execute o mesmo procedimento pela ordem inversa.



Durante a instalação, certifique-se de que a tira adesiva da presilha de calcanhar está orientada para trás.

### 5.4 Engatar/Desengatar os bloqueios dos rodízios

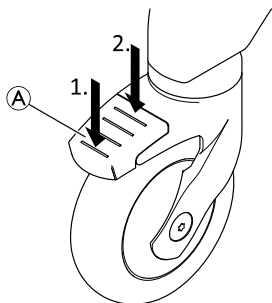


#### **ATENÇÃO!**

#### **Risco de apresamento/esmagamento**

Todos os bloqueios dos rodízios são acionados pelos pés.

– Não acione os bloqueios de rodízios com as mãos.



1. Para ativar os bloqueios dos rodízios pise a extremidade traseira do pedal **A** até engatar.

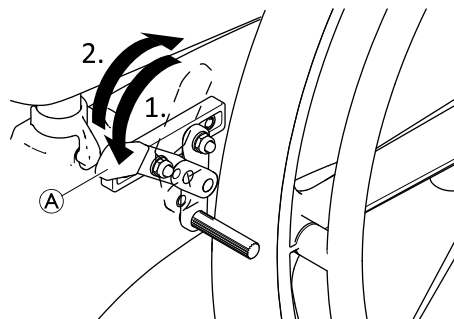
**i** O rodízio está agora bloqueado na posição e não pode rodar mais.

2. Para desativar os bloqueios dos rodízios pise a extremidade dianteira do pedal até desengatar.

**i** O rodízio com o pedal azul (bloqueio direcional opcional) engata no bloqueio de rotação para um movimento mais fácil em linha reta.

## 5.5 Engatar/Desengatar os travões de estacionamento

Os travões de estacionamento são utilizados para imobilizar a cadeira de duche e sanita com rodas de 24" para impedir que esta se desloque quando está estacionária.



1. Para engatar o travão de estacionamento, pressione a alavanca de travagem **A** para a frente o máximo possível.
2. Para desengatar o travão de estacionamento, puxe a alavanca de travagem para trás.

## 6 Transporte

### 6.1 Informações de segurança



Para transporte, é possível desmontar o produto nas peças fornecidas no âmbito da entrega. Consulte a secção 3.2 *Principais peças do produto*, página 167.

1. Desmontar o produto: Consulte o capítulo 4 *Configuração*, página 169 seguindo os passos de montagem pela ordem inversa.



#### **AVISO!**

##### **Risco de danos no produto**

- Transporte o produto numa área seca.
- Não exponha o produto a luz solar direta.
- Consulte as condições de armazenamento e transporte na secção 10.3 *Parâmetros ambientais*, página 190



#### **AVISO!**

- São utilizados para várias ligações parafusos e porcas de bloqueio automático ou adesivos de bloqueio de rosca. Se estes tiverem soltos, deverão ser substituídos por novos parafusos ou porcas de bloqueio automático, ou deverão ser fixados utilizando novo adesivo de bloqueio de rosca.

## 7 Manutenção

### 7.1 Manutenção e inspeção

O produto não requer manutenção, desde que as instruções de limpeza e segurança descritas abaixo sejam cumpridas.

Para garantir um bom desempenho e segurança, devem efetuar-se regularmente as seguintes verificações:

- Verifique regularmente se o produto e os acessórios/opções apresentam danos. Não utilize o produto se apresentar defeitos.
- Em caso de danos ou avaria, recomenda-se que contacte o fornecedor.
- Certifique-se de que o produto está montado de forma segura e que os parafusos estão devidamente apertados.



#### **ADVERTÊNCIA!**

##### **Risco de lesões e danos**

- Se o produto não estiver bem ajustado pode causar acidentes e lesões graves.
- O produto tem de ser reparado por um técnico qualificado.
  - As partes danificadas têm de ser substituídas por um técnico qualificado.
  - Utilize apenas peças sobressalentes originais da Invacare.

## 7.2 Limpeza e desinfeção

### 7.2.1 Informações gerais de segurança



#### **ATENÇÃO!**

##### **Risco de contaminação**

- Tome precauções pessoais e utilize equipamento de proteção apropriado.



#### **AVISO!**

Métodos ou fluidos errados podem prejudicar ou danificar o produto.

- Todos os agentes de limpeza e desinfetantes utilizados devem ser eficazes, compatíveis entre si e passíveis de proteger os materiais aos quais são aplicados para limpeza.
- Nunca utilize líquidos corrosivos (alcalinos, ácidos, etc.) ou agentes de limpeza abrasivos. Recomendamos um agente de limpeza doméstico normal, como detergente da loiça, se não houver especificações em contrário nas instruções de limpeza.
- Nunca utilize um solvente (diluyente celulósico, acetona, etc.) que altere a estrutura do plástico ou dissolva as etiquetas afixadas.
- Certifique-se sempre de que o produto está completamente seco antes de o pôr novamente em funcionamento.



Para a limpeza e desinfeção em ambientes de cuidados clínicos ou de longa duração, siga os procedimentos internos.

## 7.2.2 Intervalos de limpeza



### **AVISO!**

A limpeza e a desinfecção regulares melhoram o funcionamento correto, aumentam a vida útil e evitam a contaminação.

Limpe e desinfete o produto:

- regularmente enquanto está em utilização,
- antes e depois de qualquer operação de assistência,
- depois de ter estado em contacto com quaisquer fluidos corporais
- e antes da sua utilização por um novo utilizador.

## 7.2.3 Instruções de limpeza

O produto pode ser limpo utilizando detergentes disponíveis comercialmente.

### **Limpar num ambiente doméstico**

1. Retire todos os acessórios/opções instalados (apenas os acessórios/opções que não requerem ferramentas).
2. Retire os apoios de pés das calhas.
3. Remova a placa de assento e a capa do encosto.
4. Limpe as peças individuais utilizando um pano ou escova e agentes de limpeza ou desinfetantes disponíveis comercialmente.
5. Enxague as peças com água quente.
6. Seque as peças com um pano.
7. Volte a montar o produto. Consulte o capítulo 4 *Configuração, página 169*

## Limpar num ambiente clínico



Além do procedimento de limpeza descrito antes, recomendamos a limpeza do produto antes de ser utilizado por outro paciente, no final do período de utilização ou numa base regular (dependendo do que ocorrer primeiro) a

- 90 °C durante 1 minuto
  - 85 °C durante 3 minutos
  - 80 °C durante 10 minutos
- na autoclave.



### **ATENÇÃO!**

#### **Risco de queimaduras na pele**

- Deixe que o produto arrefeça depois de o limpar na máquina de lavar ou na autoclave.

## Limpar a capa do encosto

1. Remova da capa do encosto.
2. Lave a capa na máquina a uma temperatura máxima de 60 °C, usando um detergente suave.



### **AVISO!**

#### **Risco de danos**

- A lavagem a temperaturas mais elevadas pode causar danos.
- Não secar à máquina.



**AVISO!**

A limpeza excessiva pode danificar os têxteis.  
– Recomendamos que substitua a capa do encosto de dois em dois anos por motivos de higiene.

**Limpar a aparadeira (opcional)**

A aparadeira pode ser limpa numa autoclave nas temperaturas e durante os períodos seguintes:

- 90 °C durante 1 minuto
- 85 °C durante 3 minutos
- 80 °C durante 10 minutos.

**7.2.4 Instruções de desinfeção**

Pode encontrar informações sobre os desinfetantes e os métodos recomendados em <https://vah-online.de/en/for-users>.

**Em cuidados domiciliários**

Método: Siga as notas de aplicação para o desinfetante utilizado e desinfete todas as superfícies acessíveis com toalhetes.

Desinfetante: Desinfetante doméstico comum.

Secar: Deixe o produto secar ao ar.

**Em cuidados clínicos e de longo prazo**

Siga os procedimentos de desinfeção internos e utilize apenas os desinfetantes e métodos especificados.

## 8 Após a utilização

### 8.1 Armazenamento



#### **AVISO!**

##### **Risco de danos no produto**

- Armazene o produto numa área seca.
- Não armazene o produto junto a fontes de calor.
- Não exponha o produto a luz solar direta.
- Consulte as condições de armazenamento e transporte na secção *10.3 Parâmetros ambientais, página 190*

### 8.2 Recondicionamento

Este produto é adequado para reutilização. Para o recondicionamento do produto para um novo utilizador, execute as seguintes ações:

- Inspeção
- Limpeza e desinfeção

Para obter informações detalhadas, consulte o capítulo 7 *Manutenção, página 183* e o manual de assistência para este produto.

Certifique-se de que o manual de utilização é fornecido com o produto.

Se forem detetados danos ou avarias, não reutilize o produto.

### 8.3 Eliminação

Seja amigo do ambiente e recicle este produto no fim da respetiva vida útil através das instalações de reciclagem existentes.

Desmonte o produto e os seus componentes, para que os diferentes materiais possam ser separados e reciclados individualmente.

A eliminação e a reciclagem de produtos utilizados e da embalagem devem cumprir as leis e os regulamentos relativos à gestão de resíduos de cada país. Para obter informações, contacte a empresa de gestão de resíduos local.

## 9 Resolução de problemas

### 9.1 Identificar e reparar falhas

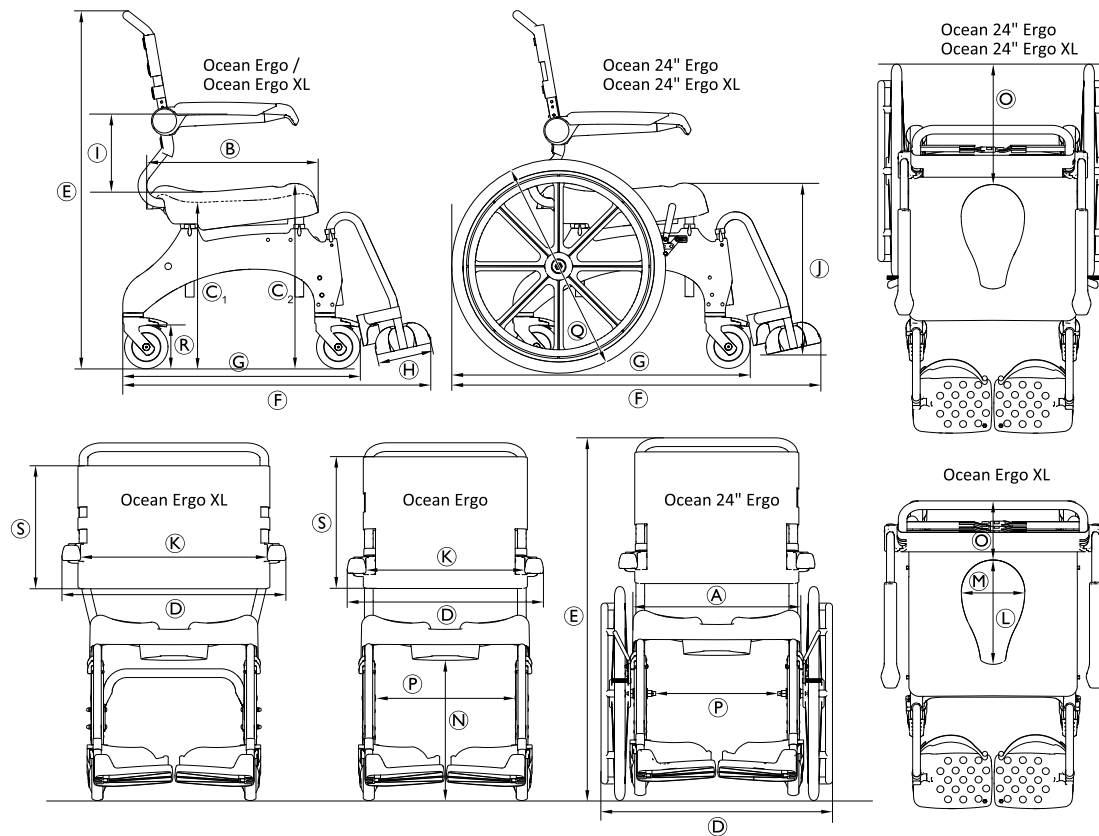


A tabela seguinte faculta informações sobre avarias e as suas causas possíveis. Se não conseguir corrigir a avaria utilizando as soluções indicadas, contacte diretamente o seu fornecedor especialista.

Falha	Causa possível	Solução
Dificuldade em ajustar a altura do assento	Sujidade entre a estrutura de assento e a secção lateral	Desmonte as várias peças do produto fornecidas no âmbito da entrega e limpe-as rigorosamente.
É difícil ou impossível rodar os rodízios	Sujidade entre a forqueta e o aro	Limpe rigorosamente os rodízios.
Dificuldade em empurrar os apoios de pés para o lado	Depósitos nas calhas	Limpe rigorosamente os apoios de pés e as calhas.
Não é possível engatar o travão de estacionamento das rodas autopropulsoras (opcional)	Travão de estacionamento incorretamente ajustado	O travão de estacionamento deve ser ajustado por um técnico qualificado.

## 10 Características Técnicas

### 10.1 Dimensões e peso



	Ocean Ergo	Ocean Ergo XL	Ocean 24" Ergo	Ocean 24" Ergo XL
Ⓐ	480 mm			
Ⓑ	480 mm			
Ⓒ <sub>1</sub>	440 mm - 600 mm			475 mm - 600 mm
Ⓒ <sub>2</sub>	498 mm - 658 mm			533 mm - 658 mm
Ⓓ	565 mm	645 mm	670 mm	
Ⓔ	985 mm - 1145 mm		1010 mm - 1170 mm	1045 mm - 1170 mm
Ⓕ	905 mm		1050 mm	
Ⓖ	700 mm		850 mm	
Ⓗ	160 mm			
Ⓘ	215 mm/253 mm/290 mm	253 mm/290 mm	215 mm/253 mm/290 mm	253 mm/290 mm
Ⓙ	260 mm - 570 mm			295 mm - 570 mm
Ⓚ	475 mm	555 mm	475 mm	555 mm
Ⓛ	350 mm (a partir de cima)/300 mm (a partir de baixo)			
Ⓜ	250 mm (a partir de cima)/182 mm (a partir de baixo)			
Ⓝ	365 mm - 525 mm			400 mm - 525 mm
Ⓞ	200 mm		355 mm	
Ⓟ	405 mm		360 mm	
Ⓠ	—		Æ 24" (610 mm)	
Ⓡ	Æ 5" (127 mm)			
Ⓢ	390 mm	350 mm	390 mm	350 mm

	Ocean Ergo	Ocean Ergo XL	Ocean 24" Ergo	Ocean 24" Ergo XL
Diâmetro de rotação	2100 mm		1940 mm	
Largura de reversão	1070 mm		1240 mm	
Peso do produto	17 kg	18 kg	23 kg	24 kg
Peso máximo do utilizador	150 kg	180 kg	150 kg	180 kg

## 10.2 Materiais

Chassis	Aço inoxidável, lacado
Tubo do apoio de pés	Aço inoxidável
Placa de assento	Polipropileno, reforçado com fibra de vidro
Capa do encosto	Nylon, revestido com PVC
Placa do apoio de pés/peças laterais	Polipropileno, reforçado com fibra de vidro
Apoio de braço	Poliamida, reforçado com fibra de vidro
Rodízios	Plástico e aço inoxidável
Superfície de rolamento das rodas de 24"	PUR

Todos os componentes do produto são resistentes à corrosão e não contêm látex de borracha natural.

## 10.3 Parâmetros ambientais

<b>Condições de funcionamento</b>	
Temperatura ambiente	10 - 65 °C
Humidade relativa	15% - 93%, sem condensação
Pressão atmosférica	795 - 1060 hPa
<b>Condições de transporte e armazenamento</b>	
Temperatura ambiente	0 - 40 °C
Humidade relativa	30% - 75%, sem condensação
Pressão atmosférica	795 - 1060 hPa

# Inhoudsopgave

Deze handleiding dient te worden overhandigd aan de gebruiker van het product. Lees deze handleiding VÓÓR u het product gebruikt en bewaar hem voor eventuele raadplegingen in de toekomst.

<b>1 Algemeen</b>	<b>.192</b>
1.1 Inleiding	.192
1.2 Symbolen in dit document	.192
1.3 Garantie-informatie	.193
1.4 Naleving	.193
1.4.1 Productspecifieke normen	.193
1.5 Levensduur	.193
<b>2 Veiligheid</b>	<b>.194</b>
2.1 Veiligheidsinformatie	.194
2.2 Identificatie en symbolen op het product	.195
<b>3 Productoverzicht</b>	<b>.197</b>
3.1 Beoogd gebruik	.197
3.2 Voornaamste onderdelen van het product	.197
<b>4 Montage</b>	<b>.200</b>
4.1 Veiligheidsinformatie	.200
4.2 Het product monteren	.200
4.2.1 De zitframebuis installeren voor hoogteaanpassing	.200
4.2.2 De rugleuning installeren	.203
4.2.3 De zitplaat installeren en verwijderen	.204
4.2.4 Hoogte van de armsteunen instellen	.204
4.2.5 De voetsteunen installeren	.205
4.3 Montage van accessoires en opties	.206
4.3.1 Door de gebruiker aan te drijven wielen installeren/verwijderen	.206
4.3.2 De ondersteekhouder en ondersteek plaatsen/verwijderen	.207

<b>5 Gebruik</b>	<b>.209</b>
5.1 Veiligheidsinformatie	.209
5.2 De armsteunen draaien	.210
5.3 De voetsteunen draaien	.210
5.4 De remmen van de zwenkwielen in-/uitschakelen	.211
5.5 De parkeerremmen in-/uitschakelen	.211
<b>6 Transport</b>	<b>.213</b>
6.1 Veiligheidsinformatie	.213
<b>7 Onderhoud</b>	<b>.214</b>
7.1 Onderhoud en inspectie	.214
7.2 Reiniging en desinfectie	.214
7.2.1 Algemene veiligheidsinformatie	.214
7.2.2 Reinigingsintervallen	.215
7.2.3 Reinigingsinstructies	.215
7.2.4 Instructies voor desinfecteren	.216
<b>8 Na gebruik</b>	<b>.217</b>
8.1 Opslag	.217
8.2 Geschikt maken voor hergebruik	.217
8.3 Afvoeren	.217
<b>9 Problemen oplossen</b>	<b>.218</b>
9.1 Storingen identificeren en oplossen	.218
<b>10 Technische Specificaties</b>	<b>.219</b>
10.1 Afmetingen en gewicht	.219
10.2 Materialen	.221
10.3 Omgevingsparameters	.221

# 1 Algemeen

## 1.1 Inleiding

Deze gebruikershandleiding bevat belangrijke informatie over het gebruik van dit product. Lees de gebruikershandleiding aandachtig door en volg de veiligheidsinstructies, zodat u zeker weet dat u het product veilig gebruikt.

Gebruik dit product alleen als u deze handleiding hebt gelezen en begrepen. Ga voor meer informatie over het product en bij vragen over het juiste gebruik en eventuele aanpassing van het product naar een professionele zorgverlener die vertrouwd is met uw medische aandoening.

Omdat dit document betrekking heeft op alle beschikbare modellen (op de datum waarop dit document is gedrukt), zijn mogelijk niet alle delen relevant voor uw product. Indien niet expliciet anders wordt vermeld, verwijst elk hoofdstuk in dit document naar alle modellen van het product.

De modellen en uitvoeringen die in uw land beschikbaar zijn, zijn te vinden in de verkoopdocumenten van het desbetreffende land.

Invacare behoudt zich het recht voor om productspecificaties zonder voorafgaande kennisgeving te wijzigen.

Controleer voordat u dit document leest of u de juiste versie hebt. U vindt een pdf-bestand met de laatste versie op de Invacare-website.

Als u de lettergrootte in de gedrukte versie van het document moeilijk kunt lezen, kunt u een pdf-versie downloaden van de website. In de pdf-versie kunt u de letters op het scherm aanpassen tot een grootte die u prettiger vindt.

Neem voor meer informatie over het product, bijvoorbeeld meldingen over productveiligheid en teruggeroepen producten, contact op met uw Invacare-vertegenwoordiger. Zie de adressen aan het einde van dit document.

In geval zich een ernstig incident met het product voordoet, dient u de fabrikant en de bevoegde instantie in uw land daarvan op de hoogte te brengen.

## 1.2 Symbolen in dit document

In dit document worden symbolen en signaalwoorden gebruikt die van toepassing zijn op gevaren of onveilige handelingen die kunnen leiden tot persoonlijk letsel of schade aan eigendommen. Zie de onderstaande informatie voor de definities van de symbolen.



### WAARSCHUWING

Duidt op een gevaarlijke situatie die kan leiden tot ernstig letsel of overlijden als de situatie niet wordt vermeden.



### LET OP

Duidt op een gevaarlijke situatie die kan leiden tot licht of klein letsel als de situatie niet wordt vermeden.




**!** **KENNISGEVING**  
Duidt op een gevaarlijke situatie die kan leiden tot schade aan eigendommen als de situatie niet wordt vermeden.

**i** **Tips en adviezen**  
Hier worden nuttige tips, adviezen en informatie voor efficiënt, probleemloos gebruik gegeven.

### Overige symbolen

(Niet op alle handleidingen van toepassing)

**UKRP** Verantwoordelijke persoon in het VK  
Geeft aan of een product wel of niet in het Verenigd Koninkrijk is geproduceerd.

 **Triman**  
Wijst op de regels voor recyclen en sorteren (alleen voor Frankrijk).

## 1.3 Garantie-informatie

Wij bieden voor dit product een fabrieksgarantie in overeenstemming met onze Algemene Voorwaarden in de respectievelijke landen.

Garantieclaims kunnen alleen worden ingediend via de dealer bij wie u het product hebt gekocht.

## 1.4 Naleving

Kwaliteit is cruciaal bij onze bedrijfsactiviteiten, waarbij wordt gewerkt binnen de normen van ISO 13485.

Dit product is voorzien van het CE-merkteken conform Verordening 2017/745 betreffende medische hulpmiddelen, klasse I.

Dit product heeft de UKCA-markering, conform deel II van de UK MDR 2002 (herziene versie), klasse I.

Wij werken er continu aan om ervoor te zorgen dat het effect van het bedrijf op het milieu, zowel lokaal als internationaal, zo veel mogelijk wordt beperkt.

Wij maken uitsluitend gebruik van materialen en onderdelen die voldoen aan de REACH-richtlijnen.

### 1.4.1 Productspecifieke normen

Het product is getest en voldoet aan de norm ISO 17966 (Helpende producten voor persoonlijke hygiëne ter ondersteuning van gebruikers) en alle bijbehorende normen. Deze norm omvat tests op ontvlambaarheid. Progressief brandende ontsteking en vlammeende ontsteking treden niet op.

Neem voor meer informatie over de lokale normen en voorschriften contact op met uw lokale Invacare-vertegenwoordiger. Zie de adressen aan het einde van dit document.

## 1.5 Levensduur

De verwachte levensduur van dit product is vijf jaar bij dagelijks gebruik en in overeenstemming met de veiligheidsinstructies, onderhoudstermijnen en bij correct gebruik, zoals aangegeven in deze handleiding. De effectieve levensduur kan variëren afhankelijk van de frequentie en intensiteit van het gebruik.

## 2 Veiligheid

### 2.1 Veiligheidsinformatie



#### **WAARSCHUWING!**

##### **Kans op ernstig letsel of schade**

Verkeerd gebruik van dit product kan leiden tot schade of lichamelijk letsel.

- Als u de waarschuwingen, aanwijzingen of instructies niet begrijpt, neem dan contact op met een professionele zorgverlener of leverancier voordat u dit hulpmiddel gebruikt.
- Gebruik dit product of de beschikbare optionele apparatuur alleen als u deze instructies en het eventuele aanvullende instructiemateriaal volledig hebt doorgelezen en begrepen, met inbegrip van de gebruikershandleiding, servicehandleidingen of instructiebladen die bij dit product of de optionele apparatuur worden verstrekt.



#### **WAARSCHUWING!**

##### **Gevaar voor lichamelijk letsel**

- Controleer het product vóór elk gebruik op schade en controleer of het stevig is gemonteerd.
- Vóór het eerste gebruik moet het product grondig worden gereinigd.



#### **WAARSCHUWING!**

##### **Gevaar voor lichamelijk letsel**

Verkeerd gebruik van dit product kan leiden tot schade of lichamelijk letsel.

- Niet gebruiken indien defect.
- Neem direct contact op met uw leverancier in geval van een defect.
- Voer geen ongeautoriseerde wijzigingen of aanpassingen uit op het product.
- Gebruik alleen de accessoires/opties die bedoeld zijn voor dit product.



#### **WAARSCHUWING!**

##### **Gevaar voor lichamelijk letsel**

Verkeerd gebruik van dit product kan leiden tot schade of lichamelijk letsel.

- Het product bij belasting niet optillen.
- Ga niet op dit product staan.



#### **LET OP!**

##### **Gevaar voor lichamelijk letsel**

Niet-originele of verkeerde onderdelen kunnen de werking en veiligheid van het product nadelig beïnvloeden.

- Gebruik alleen originele onderdelen voor het product dat u gebruikt.
- Omdat er verschillen zijn per regio, kunt u het beste de Invacare-catalogus of -website in uw regio raadplegen voor de beschikbare opties. U kunt ook contact opnemen met uw lokale Invacare-vertegenwoordiger. Zie de adressen achter in dit document.

**! KENNISGEVING**

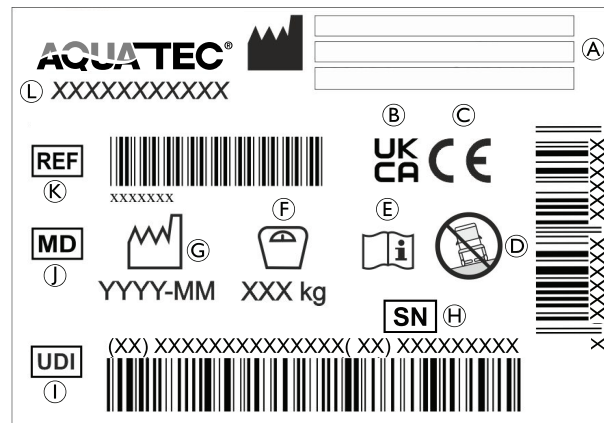
Als dit product wordt gecombineerd met een ander product, gelden de beperkingen van beide producten voor de combinatie. Het maximale gebruikersgewicht van één product in de combinatie kan bijvoorbeeld lager zijn.

- Gebruik alleen door Invacare goedgekeurde combinaties. Neem voor meer informatie contact op met uw Invacare-distributeur.
- Lees vóór gebruik de gebruikershandleiding van elk product en controleer de beperkingen. Voor een veilig gebruik is volledige naleving van de informatie, instructies en aanbevelingen in beide gebruikershandleidingen noodzakelijk.

**2.2 Identificatie en symbolen op het product**


**Identificatie**

Het typeplaatje bevat belangrijke informatie:



(A)	Adres van de fabrikant
(B)	Conformiteit VK beoordeeld
(C)	Conformiteit met Europese normen
(D)	Alleen voor gebruik op een vlakke ondergrond
(E)	Lees de gebruiksaanwijzing
(F)	Maximaal gebruikersgewicht
(G)	Fabricagedatum
(H)	Serienummer
(I)	Unieke apparaat-id
(J)	Medisch hulpmiddel

Ⓚ	Referentienummer
Ⓛ	Productaanduiding

 De identificatie is aan de binnenkant van de linkerzijde bevestigd.

### Labels op het product

Het volgende label is aangebracht op de handgreep van de rugleuning:

Label	Omschrijving
	<p><b>WAARSCHUWING!</b></p> <p>Risico op kantelen</p> <ul style="list-style-type: none"> <li>– Ga niet op de voetsteun staan om in of uit de douche- en toiletstoel te komen.</li> <li>– Duw de voetsteunen naar de zijkant of klap de voetplaten in voordat u in of uit de douche- en toiletstoel stapt.</li> <li>– Draai de zwenkwielen zo dat de vergrendeling naar voren is gericht voordat iemand plaatsneemt in de rolstoel of iemand opstaat.</li> <li>– Leun niet te ver naar voren wanneer u in de douche- en toiletstoel zit.</li> </ul>

## 3 Productoverzicht

### 3.1 Beoogd gebruik

De Aquatec Ocean Ergo en Aquatec Ocean Ergo XL zijn mobiele douche- en toiletstoelen met een roestvrijstalen frame, individueel aanpasbare zithoogte, naspanbare rugleuning, opklapbare armsteunen en inklapbare en in hoek verstelbare voetplaten met structuur. Het product is ook beschikbaar in een model met 24"-wielen voor zelfstandige verplaatsing.

Deze mobiele douche- en toiletstoelen zijn bedoeld ter ondersteuning van de persoonlijke hygiëne met of zonder begeleiding in zorginstellingen en thuis.

De douche- en toiletstoel mag alleen worden gebruikt als badstoel in een zwembad als het zwembad geen zout water bevat en er altijd een begeleider in de buurt is.

Gebruikstemperatuur (alleen binnenshuis): 10 - 65 °C

#### Beoogde gebruikers

De gebruiker kan de persoon in de douche- en toiletstoel zelf zijn of een begeleider. Het hulpmiddel kan worden gebruikt voor jongeren of volwassenen met een lichaamslengte van 146 cm of meer, een gewicht van 40 kg of meer en een BMI (body mass index) van 16 of meer.

Zie *10 Technische Specificaties, pagina 219* voor het maximale gebruikersgewicht van het product.

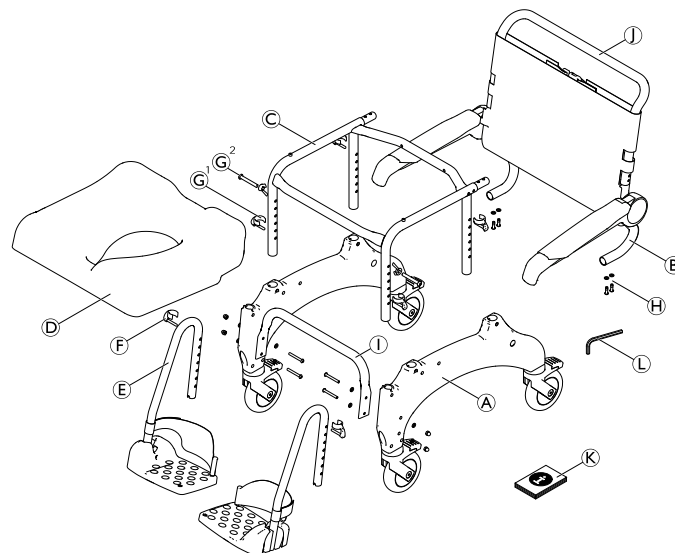
#### Indicaties

- Personen die moeite hebben met staan of evenwicht houden,

- last hebben van zwakke benen of een handicap aan de benen hebben;
- met medische aandoeningen die het evenwicht negatief beïnvloeden.

Er zijn geen contra-indicaties bekend bij gebruik van het product zoals bedoeld.

### 3.2 Voornaamste onderdelen van het product



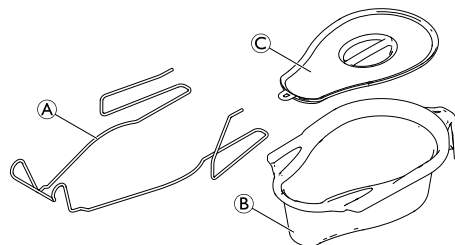
(A)	Zijkant met zwenkwielen (links en rechts)
(B)	Rugleuning met rugbekleding en armsteunen
(C)	Zitframe

Ⓓ	Zitting
Ⓔ	Voetsteun met hielband (links en rechts)
Ⓕ	Klemmen (2x) voor voetsteun (geplaatst)
Ⓖ <sup>1</sup>	Klemmen (4x) voor zithoogteaanpassing
Ⓖ <sup>2</sup>	Schroeven en vleugelmoeren (2x) voor laagste standen zithoogteaanpassing
Ⓗ	Schroeven en sluitringen (4x)
Ⓘ	Stabilisatiestang van de onderkant met schroeven (4x), sluitringen (8x) en moeren (4x) - alleen Ocean XL
Ⓙ	Duwstang
Ⓚ	Gebruikershandleiding
Ⓛ	Inbussleutel AF 4



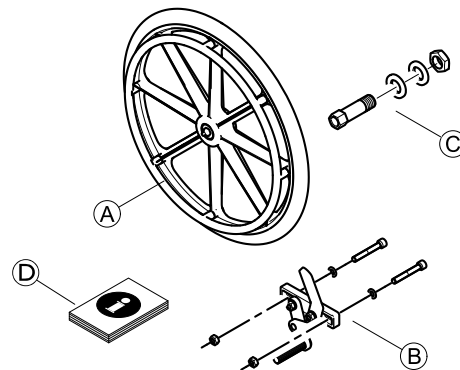
Houd rekening met andere afmetingen bij montage van door de gebruiker aan te drijven wielen. Zie hoofdstuk 10 *Technische Specificaties*, pagina 219 voor meer informatie.

### Ondersteekhouder met ondersteek (optioneel)



Ⓐ	Ondersteekhouder
Ⓑ	Ondersteek
Ⓒ	Deksel

### Door de gebruiker aan te drijven wielen met parkeerrem (optioneel)



Ⓐ	Door de gebruiker aan te drijven wielen (2x)
Ⓑ	Parkeerremmen (2x) met schroeven (4x), sluitringen (4x) en moeren (4x)
Ⓒ	Naven inclusief assen en sluitringen en moeren (2x)
Ⓓ	Montageaanwijzing

## 4 Montage

### 4.1 Veiligheidsinformatie



#### WAARSCHUWING!

- Controleer de onderdelen op transportschade voordat u het product in gebruik neemt en neem indien nodig contact op met uw leverancier.
- Houd er bij de montage rekening mee dat alle onderdelen juist geplaatst dienen te worden zodat er geen beschadigingen optreden.
- Zelfborgende schroeven/moeren of kleefstof voor schroefdraadborging worden gebruikt voor verschillende verbindingen. Als deze worden losgemaakt, moeten ze worden vervangen door nieuwe zelfborgende schroeven/moeren, of worden vastgezet met behulp van een nieuwe kleefstof voor schroefdraadborging.



#### LET OP!

#### Beknellingsgevaar

- Wees voorzichtig tijdens het monteren.

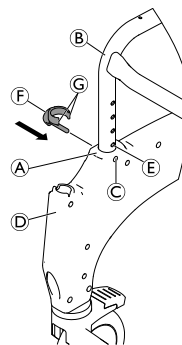
### 4.2 Het product monteren

In dit gedeelte wordt de montage beschreven. Demontage wordt in omgekeerde volgorde uitgevoerd.



De hoogte van de arm- en voetsteun, de hoek van de voetsteun, de hielband, de spanning van de rugbekleding en accessoires/opties moeten optimaal op de gebruiker zijn afgestemd.

#### 4.2.1 De zitframebuis installeren voor hoogteaanpassing



1. Verwijder de meegeleverde klemmen ⑥ uit de tas.
2. Zet het zitframe op zijn kant.



Druk het zijgedeelte gelijkmatig op het frame en draai het niet.



#### BELANGRIJK

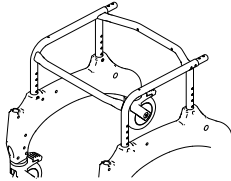
- Zet het zijgedeelte op dezelfde hoogte, voor en achter.

3. Druk het zijgedeelte ① met de geleiders voor de voetsteunen ④ voorwaarts op het zitframe ②.





Zorg ervoor dat de identificatie aan de binnenkant van de linkerzijde is bevestigd.



Zorg ervoor dat het zitframe correct is geplaatst.

4. Zet het klemstuk © op de voor- en achterkant van het zijgedeelte op een lijn met een gat in het zitframe ⑤.
5. Breng de klemmen ⑥ vanaf de buitenkant in de zijkant in tot beide randen van de klem © de zitframebuis ⑧ omsluiten.



#### **BELANGRIJK**

- Controleer of alle vier de klemmen zijn vastgezet.
- Zorg dat de linker- en rechterzijanten op dezelfde hoogte zijn ingesteld.

6. Draai het zitframe en herhaal de procedure bij het tweede zijgedeelte.
7. Plaats het zitframe met de gemonteerde zijgedeelten op zijn wielen.

### **De zithoogte aanpassen (met uitzondering van de twee laagste standen)**



#### **WAARSCHUWING!**

- Controleer of alle vier de klemmen zijn vastgezet.
- Zorg dat de zitting aan beide kanten op dezelfde hoogte is afgesteld.
- Pas de zithoogte niet aan wanneer er iemand op de douche- en toiletstoel zit.

1. Zet de douche- en toiletstoel via het zitframe ③ aan één kant iets hoger.
2. Verwijder beide klemmen ⑥ aan deze kant.
3. Haal het zitframe uit het zijgedeelte ④ of druk het in het zijgedeelte om de zithoogte aan te passen.
4. Duw beide klemmen er helemaal terug in.
5. Herhaal stappen 1-4 aan de andere kant.



De zithoogte kan worden versteld in verschillende gebruikssituaties, bijv. verplaatsing van een bed naar een rolstoel of gebruik boven een toilet, etc.

## De zithoogte instellen op de twee laagste standen



### WAARSCHUWING!

#### Gevaar voor lichamelijk letsel

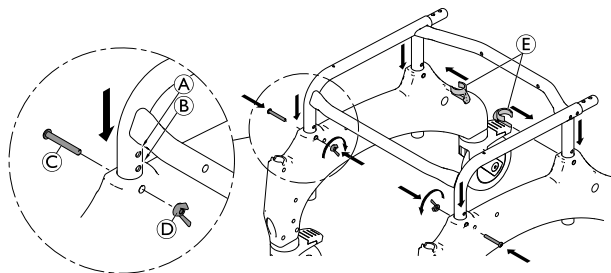
Als het zitframe op een van de twee laagste standen (A of B) moet worden afgesteld, kan een verkeerde montage letsel of schade tot gevolg hebben.

- Gebruik geen klemmen om het zitframe aan de voorkant van de zijkanten vast te maken.
- Gebruik schroeven en vleugelmoeren (zie 3.2 *Voornaamste onderdelen van het product, pagina 19*) om het zitframe aan de voorkant van de zijkanten te bevestigen.



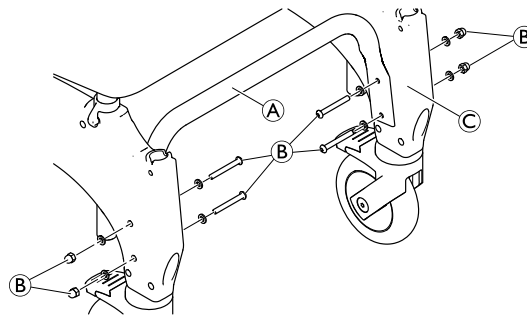
### WAARSCHUWING!

- Controleer of alle montageonderdelen goed zijn bevestigd.
- Zorg dat de zitting aan beide kanten op dezelfde hoogte is afgesteld.
- Pas de zithoogte niet aan wanneer er iemand op de douche- en toiletstoel zit.



1. Til de douche- en toiletstoel aan één kant iets op aan het zitframe.
2. Verwijder beide klemmen aan deze kant.
3. Duw het zitframe in de zijkant om de zithoogte aan te passen.
4. Plaats schroef C.
5. Zet vast met vleugelmoer D.
6. Duw klem E helemaal terug naar binnen, vanaf de binnenkant van het frame om de achterkant van de zijkant vast te zetten.
7. Herhaal stappen 1-6 aan de andere kant.

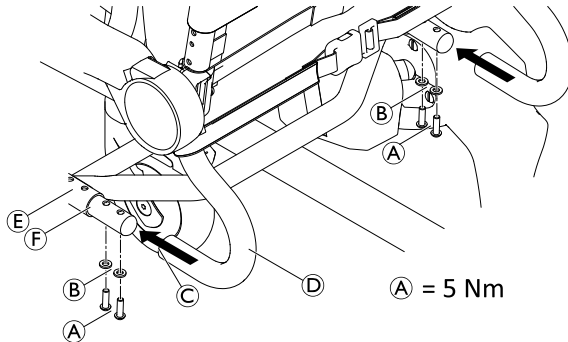
## Stabilisatiestang van de onderkant installeren (alleen Ocean Ergo XL)



1. Plaats de stabilisatiestang van de onderkant A met de meegeleverde schroeven en moeren B tussen de zijkanten C. Zorg ervoor dat de stabilisatiestang naar boven is gericht.
2. Draai de schroeven aan met een moment van 5 Nm.

## 4.2.2 De rugleuning installeren

1. Druk alle vier de voetpedalen omlaag zodat de zwenkwielen worden vergrendeld.



2. Druk de rugleuning ④ vanaf de achterkant in het zitframe ⑤ tot de boord ③ de zitframebuis raakt ⑥.
3. Plaats een sluitring ② op elke schroef ① en draai de rugleuning aan beide zijden stevig vast met een moment van 5 Nm met behulp van de meegeleverde inbussleutel.

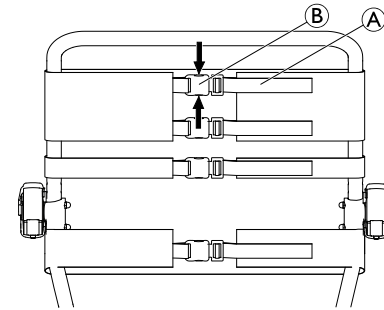


### **BELANGRIJK!**

- Controleer regelmatig of de schroeven goed vastzitten.

### De rugbekleding aanpassen

De spanning van de rugbekleding kan zo nodig worden aangepast.



### **WAARSCHUWING!**

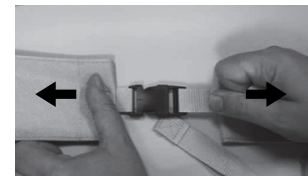
- Zorg dat er altijd minimaal drie riemen zijn gelegd rond het rugleuningframe (aan de buitenkant) en dat de riemgespen vastzitten.

Aanspannen:

1. Span de riemen ① van de rugbekleding aan.

Losmaken:

1. Open de riemgespen ② door de lippen naar elkaar toe te drukken (pijlen).
2. Duw de riemen een stuk terug door de gesp.
3. Zet de riemgespen vast.
4. Span de riemen opnieuw een beetje aan.





### WAARSCHUWING!

#### Risico op letsel door beschadigde rugleuninggespen

- Controleer of de rugleuninggespen stevig vastzitten na elk onderhoud of elke reparatie.
- Controleer of alle gespen stevig vastzitten door de gespen te sluiten en aan beide uiteinden van de gordels te trekken.
  - Vervang de rugleuning/rugleuninggespen als een gesp tijdens het trekken opengaat.

### 4.2.3 De zitplaat installeren en verwijderen

#### Installatie

1. Plaats de zitplaat op het zitframe met de uitsparing naar de voorkant gericht.
2. Druk de zijkanten van de zitplaat met de vlakke hand naar beneden en duw vervolgens tegen de voor- en achterzijde tot de zitplaat in het zitframe valt.

#### Verwijderen

1. Trek de zitplaat aan de achterkant naar boven.

### 4.2.4 Hoogte van de armsteunen instellen

1. Open de riemgesp van de rugbekleding die via de binnenkant van het rugleuningframe wordt gelegd.
2. Open de riemgesp van de rugbekleding, die zich boven de armsteunen bevindt.



Bij het verstellen naar een lagere positie moet de riem onder de armsteun worden geopend.

3. Leg de riem door de binnenkant van het rugleuningframe en sluit de riem weer.

4.

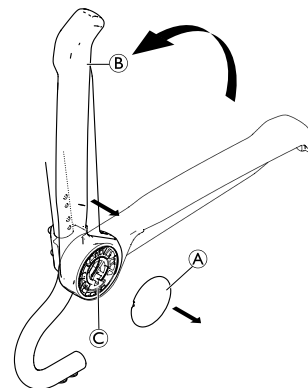


Fig. 4-1

Verwijder dop ①.

5. Klap de armsteun ② in om deze van de armsteunbeugel ③ te halen.
- 6.

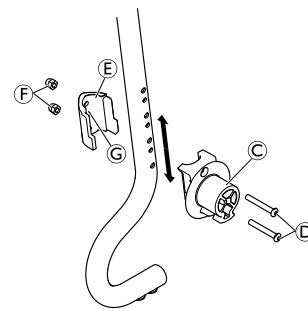




Fig. 4-2

Verwijder de schroeven ④ van de armsteunbeugel ③ met de inbussleutel.

7. Verwijder de borgklem ⑤ met de bouten ⑥ vanaf de binnenkant van het rugleuningframe.
  -  De bouten worden los in de borgklem geplaatst en kunnen loskomen.
8. Om de armsteunbeugel en de borgklem weer op de gewenste plaats te monteren, steekt u de schroeven ④ in de armsteunbeugel en geleidt u ze door de gewenste gaten in het rugleuningframe.
  -  De kleinere gaten aan de binnenkant van het rugleuningframe bevestigen de borgklem.
9. Plaats de borgklem zodanig dat de bevestiging ③ van de borgklem in het kleinere gat grijpt.
10. Draai de schroeven ④ vast met 5-6 Nm en draai de moeren ⑥ vast.
- 11.

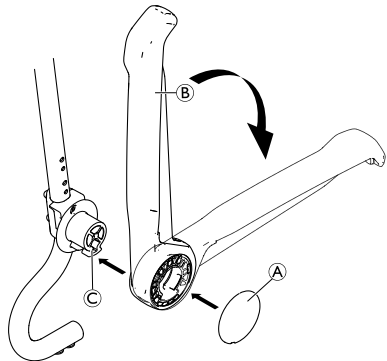



Fig. 4-3

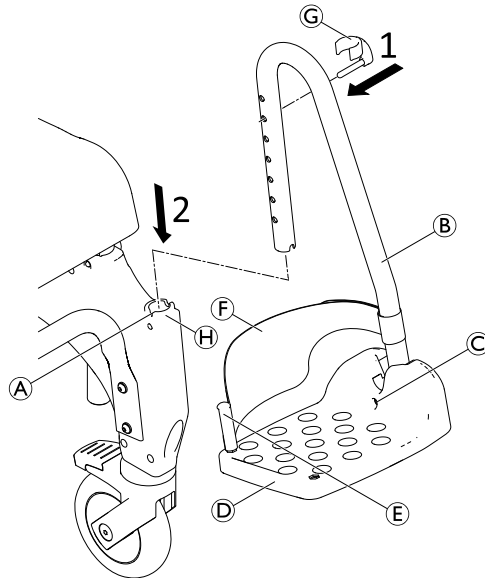
Installeer armsteun ② opnieuw op beugel ③.

12. Klap de armsteun omlaag.
13. Installeer opnieuw dop ①.


14. Leg de loshangende riem van de rugbekleding over de buitenkant van het rugleuningframe, sluit alle riemgespen en trek ze aan.
15. De procedure van de hoogteaanpassing is gelijk voor zowel de rechter- als de linkerarmsteun.

 Voor het plaatsen van accessoires/opties opent u de derde riem vanaf de bovenkant en schuift u de rugbekleding er via de binnenkant van het rugleuningframe door.


#### 4.2.5 De voetsteunen installeren



1. Plaats de pin van de klem ③ vanaf de buitenkant in het vereiste gat op de voetsteun ②. Zorg ervoor dat de klem rond de buis is vastgeklikt.
2. Druk de voetsteun in de geleider ④ aan de voorkant van de zijkant totdat de pin van de klem ③ in de groef ① vastklikt. De voetsteun kan niet meer opzij worden gedraaid.

 De montageprocedure is gelijk voor zowel de rechter- als de linkervoetsteun.

### De hoogte van de voetsteunen aanpassen

 De voetsteunen kunnen indien nodig worden ingekort (raadpleeg de servicehandleiding). Het inkorten van de voetsteunen moet worden uitgevoerd door een gekwalificeerde technicus.

1. Trek de voetsteun ② iets omhoog.
2. Trek de klem ③ uit het gat in de voetsteun en plaats hem opnieuw in het vereiste gat. Trek de voetsteun indien nodig een klein stukje verder uit.
3. Druk de voetsteun omlaag tot de pin van klem ③ in de groef ① vastklikt.
4. Stel de andere voetsteun op de vereiste hoogte in.

### De helling van de voetplaten instellen

 De helling van de voetplaten kan met oneindig veel variaties worden ingesteld.

1. Draai de inbusschroef ③ op de voetplaat losser met een inbussleutel van maat 4.
2. Draai de voetplaat ④ naar de vereiste positie.
3. Draai de inbusschroef weer vast.

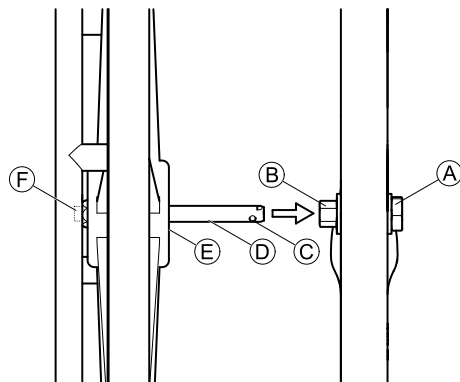
## 4.3 Montage van accessoires en opties



### WAARSCHUWING! Kans op lichamelijk letsel

– De montage van accessoires en opties moet volgens de bijbehorende instructies worden uitgevoerd.

### 4.3.1 Door de gebruiker aan te drijven wielen installeren/verwijderen

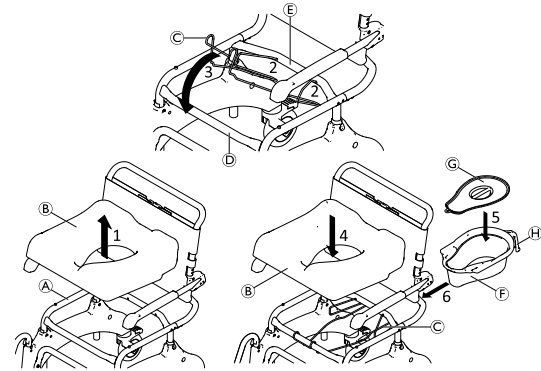


**! KENNISGEVING**

- Wanneer de door de gebruiker aangedreven wielen zijn gemonteerd, moeten de achterste zwenkwielen vergrendeld blijven om een botsing tussen zwenkwiel en wiel te voorkomen.
- De naven en de parkeerremmen voor de door de gebruiker aan te drijven wielen moeten door een gekwalificeerde technicus worden gemonteerd.

1. Zet de vier zwenkwielen in de rijrichting.
2. Vergrendel alle zwenkwielen.
3. Druk de as **D** op de door de gebruiker aan te drijven wielen naar binnen. (De hoepels wijzen naar buiten.)
4. Houd de knop **F** op de buitenkant van de as ingedrukt. Hiermee komen de borgballen **C** aan het uiteinde van de as vrij.
5. Zet de douche- en toiletstoel iets hoger.
6. Steek de as in de naaf **B** en druk die door de gebruiker aan te drijven wiel op de as tot aan de eindstop **E**.
7. Laat de knop **F** los.
8. Controleer of de borgballen achter de zeskantige moer **A** komen.
9. De montage is gelijk voor zowel de rechter- als het linker- door de gebruiker aan te drijven wiel.

Om de wielen te verwijderen, voert u dezelfde procedure uit in omgekeerde volgorde.

**4.3.2 De ondersteekhouder en ondersteek plaatsen/verwijderen**

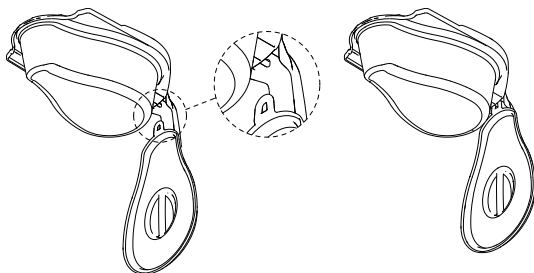
**i** De ondersteek **F** kan met of zonder deksel **G** worden geplaatst/verwijderd.

1. Verwijder de zitting **B** uit het frame **A**.
2. Plaats de uiteinden van de ondersteekhouder **C** in de gaten van de achterste kruisstang **E**.
3. Klik het voorste deel van de ondersteekhouder vast aan de voorste kruisstang **D**.
4. Plaats de zitting weer in het frame.
5. Zet het deksel op de ondersteek of verwijder het deksel.
6. Houd de ondersteek bij de handgreep **H** vast en plaats deze via de achterkant tussen de ondersteekhouder en de zitting.

**i** Duw de ondersteek iets naar beneden bij het plaatsen of verwijderen.



Het deksel kan aan de plastic haak worden gehangen aan de onderkant van de handgreep van de ondersteek.





## 5 Gebruik

### 5.1 Veiligheidsinformatie



#### **WAARSCHUWING!**

- Gebruik de douche- en toiletstoel alleen op een vlakke ondergrond en binnenshuis.
- Kijk naar de specificaties op de identificatie. Zorg dat u de douche- en toiletstoel niet overbelast.
- Let op het veiligheidslabel op de handgreep van de rugleuning. *2.2 Identificatie en symbolen op het product, pagina 195*
- Voer altijd en voor elk gebruik een visuele inspectie uit van het product op externe beschadigingen.
- Controleer regelmatig de werking van de parkeerrem (alleen bij de optie met door de gebruiker aan te drijven wielen).



#### **WAARSCHUWING!**

##### **Risico op uitglijden en weggrollen**

- Zorg er vóór gebruik voor dat de zitting veilig is bevestigd aan het zitframe.
- Vergrendel alle zwenkwielen met hendels met behulp van de voetsluitingen voordat iemand plaatsneemt of opstaat, of als de douche- en toiletstoel staat geparkeerd.
- Gebruik de parkeerrem wanneer de door de gebruiker aan te drijven wielen (optioneel) worden gemonteerd.



#### **WAARSCHUWING!**

##### **Risico op kantelen**

- Draai de voetsteunen naar de zijkant of klap de voetplaten omhoog voordat iemand plaatsneemt in of opstaat uit de rolstoel.
- Draai de voorste zwenkwielen zodat de vergrendeling naar voren is gericht voordat iemand plaatsneemt in of opstaat uit de rolstoel.
- Ga nooit op de voetsteunen staan.
- Leun niet te ver voorover.



#### **WAARSCHUWING!**

##### **Risico op kantelen**

- De douche- en toiletstoel mag alleen worden verplaatst met behulp van de duwstang of de met de hand aan te drijven wielen (optioneel).



#### **LET OP!**

##### **Risico op verbranding van de huid**

- De onderdelen van het product kunnen heet worden bij blootstelling aan een externe verwarmingsbron.
- Houd rekening met verwarmde oppervlakken bij het gebruik van de douche- en toiletstoel in de sauna of wanneer deze is blootgesteld aan heet water.
  - Stel het product vóór gebruik niet bloot aan direct zonlicht.



### LET OP!

#### Kans op beknelling of verbrijzeling

Er bestaat een kleine opening tussen het achterwiel en de parkeerrem waarbij het risico bestaat dat uw vingers bekneld raken.

- Houd vingers uit de buurt van beweegbare onderdelen wanneer u de rem gebruikt, maar houd uw hand altijd op de remhendel.



### LET OP!

#### Uw vingers kunnen bekneld raken

- Bij gebruik van door de gebruiker voortgedreven wielen (optioneel) moet u uw vingers niet tussen de spaken of de draaiende wielen en het zitframe laten komen terwijl u rijdt.



### KENNISGEVING

#### Risico op beschadiging van het product

- Til de douche- en toiletstoel niet op aan de voetsteunen, armsteunen of accessoires/opties.



Voor gebruikers bij wie het risico groot is dat ze op de voetsteunen gaan staan (bijv. bij dementie), zijn er antikantelsteunen aan de voorzijde (optioneel) verkrijgbaar om te voorkomen dat de douche- en toiletstoel vooroverkantelt.

## 5.2 De armsteunen draaien

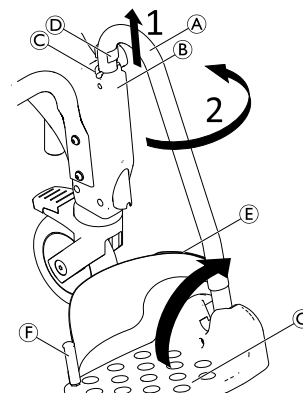


### LET OP!

#### Knellingsgevaar voor vingers

- Plaats geen vingers tussen de armsteun en de rugleuning wanneer de armsteunen naar achteren worden ingeklapt.

## 5.3 De voetsteunen draaien



### Instappositie/uitstappositie:

1. Trek de voetsteun (A) in de geleider (B) iets omhoog totdat de pin van de klem (D) niet meer vastzit in de groef (C).
2. Zwenk de voetsteun naar de zijkant.



De voetplaten (G) kunnen ook omhoog geklapt worden om in of uit de douche- en toiletstoel te komen.

**Rijpositie:****LET OP!****Risico op ongeluk als gevolg van losse voetsteun**

– Bevestig de voetsteunen in de rijpositie.

1. Draai de voetsteun Ⓐ naar binnen.
2. Druk de voetsteun omlaag tot de pen van de klem Ⓓ in de groef Ⓒ vastklikt.

**De hielband verwijderen/bevestigen**

1. Open het klittenband Ⓔ op de hielband.
2. Verwijder de schroef Ⓕ uit de onderkant van de voetplaat.
3. Verwijder de hielband uit de flexibele plastic pin.



Om de band te bevestigen, voert u dezelfde procedure uit in omgekeerde volgorde.

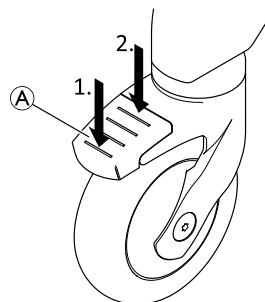


Zorg er bij de installatie van een voetsteun altijd voor dat het klittenband van de hielband naar achteren is gericht.

**5.4 De remmen van de zwenkwielen in-/uitschakelen****LET OP!****Beknellingsgevaar**

Alle remmen van de zwenkwielen worden met de voet bediend.

– Rem de zwenkwielen niet met de hand.



1. Om het zwenkwiel te vergrendelen, stapt u op het achterste deel van het pedaal Ⓐ totdat die vastklikt.



Het zwenkwiel is nu vergrendeld en kan niet meer zwenken.

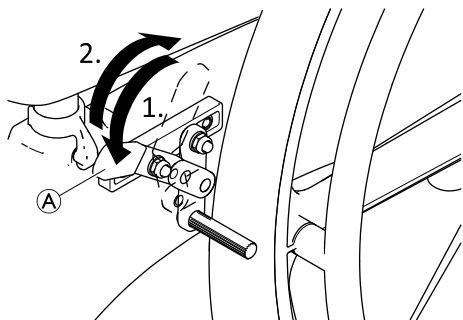
2. Om het zwenkwiel te ontgrendelen, stapt u op het voorste deel van het pedaal totdat die is ontkoppeld.



Het zwenkwiel met het blauwe pedaal (optionele draaivergrendeling) biedt zwenkvergrendeling om makkelijker rechtdoor te kunnen rijden.

**5.5 De parkeerremmen in-/uitschakelen**

De parkeerremmen zijn bedoeld om de douche- en toiletstoel met wielen van 24 inch te blokkeren om rollen vanuit stilstand te voorkomen.



1. Druk de remhendel ① zo ver mogelijk naar voren om te remmen.
2. Trek de remhendel zo ver mogelijk naar achteren om de handrem te ontkoppelen.

---

## 6 Transport

---

### 6.1 Veiligheidsinformatie



Het product kan voor transport worden gedemonteerd in de onderdelen die zijn inbegrepen in de levering. Zie hoofdstuk 3.2 *Voornaamste onderdelen van het product, pagina 197*.

1. Demonteer het product: Raadpleeg hoofdstuk 4 *Montage, pagina 200* door de stappen voor montage in omgekeerde volgorde te volgen.



#### **KENNISGEVING**

- **Risico op beschadiging van het product**
  - Vervoer het product in een droge omgeving.
  - Stel dit product niet bloot aan direct zonlicht.
  - Raadpleeg de voorschriften voor opslag en transport in hoofdstuk 10.3 *Omgevingsparameters, pagina 221*



#### **KENNISGEVING**

- - Zelfborgende schroeven/moeren of kleefstof voor schroefdraadborging worden gebruikt voor verschillende verbindingen. Als deze worden losgemaakt, moeten ze worden vervangen door nieuwe zelfborgende schroeven/moeren, of worden vastgezet met behulp van een nieuwe kleefstof voor schroefdraadborging.

## 7 Onderhoud

### 7.1 Onderhoud en inspectie

Als de onderstaande instructies voor schoonmaak en veiligheid in acht worden genomen, heeft het product geen onderhoud nodig.

Voor een goede en veilige werking moeten de volgende controles regelmatig worden uitgevoerd:

- Controleer het product en de accessoires/opties regelmatig op schade. Het product niet gebruiken als het defect is.
- Bij schade of storingen is het raadzaam om contact op te nemen met de leverancier.
- Controleer of het product stevig is gemonteerd en of alle schroeven goed zijn vastgedraaid.



#### **WAARSCHUWING!**

##### **Risico op letsel en beschadiging**

Als het product onjuist is afgesteld, kan dit ongelukken en ernstig letsel veroorzaken.

- Het product moet worden gerepareerd door een gekwalificeerde technicus.
- Beschadigde onderdelen moeten door een gekwalificeerde technicus worden vervangen.
- Gebruik alleen originele Invacare-reserveonderdelen.

## 7.2 Reiniging en desinfectie

### 7.2.1 Algemene veiligheidsinformatie



#### **LET OP!**

##### **Besmettingsgevaar**

- Tref voorzorgsmaatregelen voor uw eigen veiligheid en gebruik de juiste beschermingsuitrusting.



#### **KENNISGEVING!**

Het gebruik van de verkeerde vloeistoffen of methoden kan het product aantasten of beschadigen.

- Alle gebruikte reinigings- en desinfecteringsmiddelen moeten effectief zijn, met elkaar gecombineerd kunnen worden en de te reinigen materialen beschermen.
- NeverGebruik nooit bijtende vloeistoffen (zuren, basen enzovoort) of schurende reinigingsmiddelen. We raden u aan een gewoon huishoudelijk reinigingsmiddel zoals vaatwasmiddel te gebruiken, indien in de reinigingsinstructies geen ander middel wordt voorgeschreven.
- Gebruik nooit een oplosmiddel (thinner, aceton en dergelijke) waardoor de structuur van de kunststof kan veranderen of labels kunnen loslaten.
- Zorg altijd dat het product volledig droog is voordat u het weer in gebruik neemt.



Volg voor reiniging en desinfectie in klinische omgevingen of omgevingen voor langdurige zorg de intern ingestelde procedures.

### 7.2.2 Reinigingsintervallen



#### **KENNISGEVING!**

Regelmatig reinigen en desinfecteren zorgt voor een soepele werking, verhoogt de levensduur en voorkomt besmetting. Reinig en desinfecteer dit product:

- regelmatig als het in gebruik is;
- voor en na onderhoudswerkzaamheden;
- als het in contact is gekomen met lichaamsvocht;
- voordat een nieuwe gebruiker er gebruik van maakt.

### 7.2.3 Reinigingsinstructies

Het product kan worden schoongemaakt met behulp van commercieel verkrijgbare middelen.

#### **Reiniging in een huiselijke omgeving**

1. Verwijder eventueel gemonteerde accessoires/opties (alleen accessoires/opties waarvoor geen gereedschap nodig is).
2. Trek de voetsteunen uit de geleiders.
3. Verwijder de zitplaat en de rugbekleding.
4. Neem de verschillende onderdelen af met een doek of borstel en in de handel verkrijgbare reinigingsmiddelen en desinfecterende middelen.
5. Spoel de onderdelen met warm water af.

6. Droog de onderdelen met een doek.
7. Zet het product weer in elkaar; zie hoofdstuk 4 *Montage, pagina 200*

#### **Reiniging in een klinische omgeving**



Naast de hierboven beschreven manier van reinigen raden wij u aan het product te reinigen voordat dit door een andere patiënt wordt gebruikt, na beëindiging van de gebruikperiode of op regelmatige basis (afhankelijk van wat zich het eerst voordoet) bij

- 90 °C gedurende 1 minuut
- 85 °C gedurende 3 minuten
- 80 °C gedurende 10 minuten

in de autoclaaf



#### **LET OP!**

#### **Risico op verbranding van de huid**

- Laat het product afkoelen na reiniging in de wasmachine of autoclaaf.

#### **De rugbekleding reinigen**

1. Verwijder de rugbekleding.
2. Was de bekleding met een mild wasmiddel in de wasmachine op maximaal 60 °C.



#### **KENNISGEVING**

#### **Gevaar voor beschadiging**

- Wassen op hogere temperaturen kan leiden tot schade.
- Niet in de wasdroger drogen.



### **KENNISGEVING**

Door overmatig reinigen kan het textiel beschadigd raken.

- Wij raden u aan de rugbekleding elke twee jaar te vervangen vanwege hygiënische redenen.

### **De ondersteek reinigen (optioneel)**

De ondersteek kan worden gereinigd in een autoclaaf met de volgende temperaturen/tijden:

- 90 °C gedurende 1 minuut
- 85 °C gedurende 3 minuten
- 80 °C gedurende 10 minuten

#### **7.2.4 Instructies voor desinfecteren**



Informatie over aanbevolen desinfectiemiddelen en -methoden vindt u op <https://vah-online.de/en/for-users>.

### **Verzorging thuis**

Methode: volg de aanwijzingen voor het aanbrengen van het gebruikte desinfectiemiddel op en neem alle toegankelijke oppervlakken af.

Desinfectiemiddel: een standaard desinfectiemiddel voor huishoudelijk gebruik.

Drogen: Laat het product aan de lucht drogen.

### **Ziekenhuis en instelling voor langdurige zorg**

Volg de desinfectieprocedures van uw instelling op en gebruik uitsluitend desinfectiemiddelen en -methoden die hierin worden vermeld.



## 8 Na gebruik

### 8.1 Opslag



#### KENNISGEVING

##### Risico op beschadiging van het product

- Bewaar het product in een droge omgeving.
- Bewaar dit product niet in de buurt van warmtebronnen.
- Stel dit product niet bloot aan direct zonlicht.
- Raadpleeg de voorschriften voor opslag en transport in hoofdstuk 10.3 *Omgevingsparameters, pagina 221*

### 8.2 Geschikt maken voor hergebruik

Dit product is geschikt voor hergebruik. Om het product voor een nieuwe gebruiker gebruiksklaar te maken, voert u de volgende handelingen uit:

- Inspectie
- Schoonmaken en desinfecteren

Zie voor meer informatie *7 Onderhoud, pagina 214* en de servicehandleiding bij dit product.

Zorg ervoor dat de gebruikershandleiding samen met het product wordt overhandigd.

Hergebruik het product niet als er schade of afwijkingen zijn geconstateerd.

### 8.3 Afvoeren

Wij hopen dat u voldoende milieubewust bent om dit product na de levensduur naar een afvalverwerkingsstation te brengen.

Haal het product en de onderdelen ervan uit elkaar, zodat de verschillende materialen afzonderlijk kunnen worden gerecycled.

Gebruikte producten en verpakkingen moeten worden afgevoerd en gerecycled overeenkomstig de wet- en regelgeving voor afvalverwerking in het betreffende land. Neem contact op met uw plaatselijke afvalverwerkingsbedrijf voor meer informatie.

## 9 Problemen oplossen

### 9.1 Storingen identificeren en oplossen

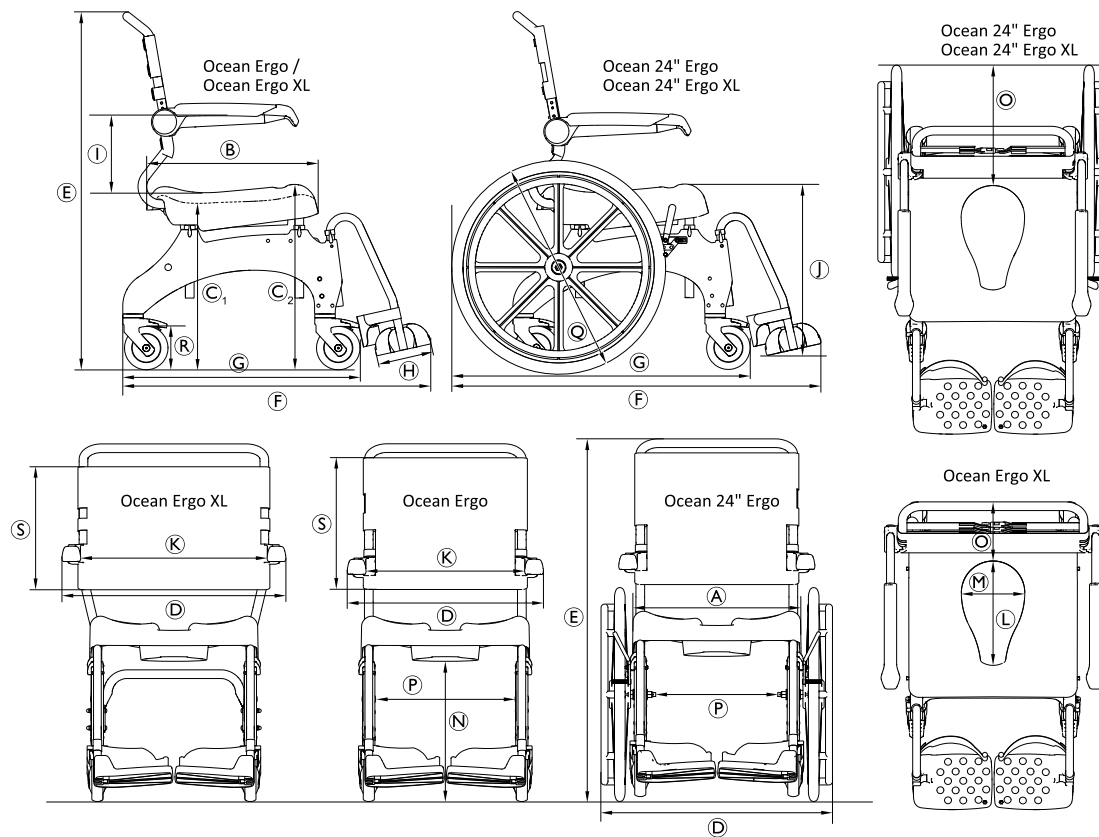


In de volgende tabel vindt u een overzicht van storingen en de mogelijke oorzaken daarvan. Als u de storing niet kunt verhelpen met behulp van de gegeven oplossingen, kunt u ook rechtstreeks contact opnemen met uw gespecialiseerde dealer.

Storing	Mogelijke oorzaak	Oplossing
Moeilijkheden bij het aanpassen van de zithoogte	Vuil tussen het zitframe en de zijkant	Haal het product uit elkaar tot de onderdelen die u bij de levering ontving en reinig deze grondig
De zwenkwielen draaien moeilijk of niet	Vuil tussen de vork en de velg	Reinig de zwenkwielen grondig
Moeilijkheden bij het opzij duwen van de voetsteunen	Neerslag in de geleiders	Reinig de voetsteunen en de geleiders grondig
Parkeerrem van de door de gebruiker aan te drijven wielen (optioneel) doet het niet	Parkeerrem is niet goed aangepast	De parkeerrem moet worden aangepast door een gekwalificeerde technicus.

## 10 Technische Specificaties

### 10.1 Afmetingen en gewicht



	Ocean Ergo	Ocean Ergo XL	Ocean 24" Ergo	Ocean 24" Ergo XL
Ⓐ	480 mm			
Ⓑ	480 mm			
Ⓒ <sub>1</sub>	440 mm – 600 mm			475 mm – 600 mm
Ⓒ <sub>2</sub>	498 mm – 658 mm			533 mm – 658 mm
Ⓓ	565 mm	645 mm	670 mm	
Ⓔ	985 mm – 1145 mm		1010 mm – 1170 mm	1045 mm – 1170 mm
Ⓕ	905 mm		1050 mm	
Ⓖ	700 mm		850 mm	
Ⓗ	160 mm			
Ⓘ	215 mm / 253 mm / 290 mm	253 mm / 290 mm	215 mm / 253 mm / 290 mm	253 mm / 290 mm
Ⓙ	260 mm – 570 mm			295 mm – 570 mm
Ⓚ	475 mm	555 mm	475 mm	555 mm
Ⓛ	350 mm (bovenkant)/300 mm (onderkant)			
Ⓜ	250 mm (bovenkant)/182 mm (onderkant)			
Ⓝ	365 mm – 525 mm			400 mm – 525 mm
Ⓞ	200 mm		355 mm	
Ⓟ	405 mm		360 mm	
Ⓠ	—		Æ 610 mm (24 inch)	
Ⓡ	Æ 127 mm (5 inch)			

	Ocean Ergo	Ocean Ergo XL	Ocean 24" Ergo	Ocean 24" Ergo XL
Ⓢ	390 mm	350 mm	390 mm	350 mm
Draaidiameter	2100 mm		1940 mm	
Achteruitrij-breedte	1070 mm		1240 mm	
Gewicht van product	17 kg	18 kg	23 kg	24 kg
Maximaal gebruikersgewicht	150 kg	180 kg	150 kg	180 kg

## 10.2 Materialen

Frame	Roestvrij staal, gemoffeld
Voetsteunbuis	Roestvrij staal
Zitplaat	Polypropyleen, glasvezelversterkt
Rugbekleding	Kunststof, PVC-coating
Voetplaat/zijkanten	Polypropyleen, glasvezelversterkt
Armsteun	Polyamide, glasvezelversterkt
Zwenkwielen	Kunststof en roestvrij staal
Loopvlak van wielen van 24"	PUR

Alle onderdelen van het product zijn roestbestendig en bevatten geen natuurrubberlatex.

## 10.3 Omgevingsparameters

Bedrijfsomstandigheden	
Omgevingstemperatuur	10 - 65 °C
Relatieve luchtvochtigheid	15% - 93%, zonder condensvorming
Atmosferische druk	795 - 1060 hPa
Voorschriften voor opslag en transport	
Omgevingstemperatuur	0 - 40 °C
Relatieve luchtvochtigheid	30% - 75%, zonder condensvorming
Atmosferische druk	795 - 1060 hPa



**Australia:**

Invacare Australia Pty. Ltd.  
Unit 18/12 Stanton Road,  
Seven Hills, NSW 2147,  
Australia  
Phone: 1800 460 460  
Fax: 1800 814 367  
orders@invacare.com.au  
www.invacare.com.au

**España:**

Invacare S.A.  
Avenida del Oeste, 50 – 1<sup>a</sup>-1<sup>a</sup>  
Valencia-46001  
Tel: (34) 972 493 214  
contactsp@invacare.com  
www.invacare.es

**Italia:**

Invacare Mecc San s.r.l.,  
Via dei Pini 62,  
I-36016 Thiene (VI)  
Tel: (39) 0445 38 00 59  
servizioclienti@invacare.com  
www.invacare.it

**Belgium & Luxemburg:**

Invacare nv  
Autobaan 22  
B-8210 Loppem  
Tel: (32) (0)50 83 10 10  
Fax: (32) (0)50 83 10 11  
marketingbelgium@invacare.com  
www.invacare.be

**EU Export:**

Invacare Poirier SAS  
Route de St Roch  
F-37230 Fondettes  
Tel: (33) (0)2 47 62 69 80  
serviceclient\_export@invacare.com  
www.invacare.eu.com

**Nederland:**

Invacare BV  
Galvanistraat 14-3  
NL-6716 AE Ede  
Tel: (31) (0)318 695 757  
nederland@invacare.com  
www.invacare.nl

**Canada:**

Invacare Canada L.P.  
570 Matheson Blvd East, Unit 8  
CDN Mississauga, On. L4Z 4G4  
Phone: (905) 890 8300  
Toll Free: 800.668.5324  
www.pro.invacare.ca

**France:**

Invacare Poirier SAS  
Route de St Roch  
F-37230 Fondettes  
Tel: (33) (0)2 47 62 64 66  
contactfr@invacare.com  
www.invacare.fr

**New Zealand:**

Invacare New Zealand Ltd  
4 Westfield Place, Mt Wellington 1060  
New Zealand  
Phone: 0800 468 222  
Fax: 0800 807 788  
sales@invacare.co.nz  
www.invacare.co.nz

**Deutschland:**

Invacare GmbH  
Am Achener Hof 8  
D-88316 Isny  
Tel: (49) (0)7562 700 0  
kontakt@invacare.com  
www.invacare.de

**Ireland:**

Invacare Ireland Ltd,  
Unit 5 Seatown Business Campus  
Seatown Road, Swords, County Dublin  
EirCode: K67 K271 — Ireland  
Tel : (353) 1 810 7084  
Fax: (353) 1 810 7085  
ordersireland@invacare.com  
www.invacare.ie

**Österreich:**

Invacare Austria GmbH  
Herzog-Odilo-Straße 101  
A-5310 Mondsee  
Tel: (43) 6232 5535 0  
Fax: (43) 6232 5535 4  
info-austria@invacare.com  
www.invacare.at

1639501-F 2022-12-06



**Making Life's Experiences Possible®**

**AQUATEC®**



**Yes, you can.®**



**Portugal:**

Invacare Lda  
Rua Estrada Velha, 949  
P-4465-784 Leça do Balio  
Tel: (351) (0)225 193 360  
portugal@invacare.com  
www.invacare.pt

**Schweiz / Suisse / Svizzera:**

Invacare AG  
Benkenstrasse 260  
CH-4108 Witterswil  
Tel: (41) (0)61 487 70 80  
Fax: (41) (0)61 488 19 10  
switzerland@invacare.com  
www.invacare.ch

**United Kingdom:**

Invacare Limited  
Pencoed Technology Park, Pencoed  
Bridgend CF35 5AQ  
Tel: (44) (0) 1656 776 200  
uk@invacare.com  
www.invacare.co.uk

**USA:**

Invacare Corporation  
One Invacare Way  
Elyria, Ohio USA  
44035  
800-333-6900  
www.invacare.com

**USA:**

Clarke Health Care Products  
7830 Steubenville Pike  
Oakdale, PA 15071, USA  
Toll Free: (888) 347-4537  
Phone: (724) 695-2122  
Fax: (724) 695-2922  
info@clarkehealthcare.com  
www.clarkehealthcare.com



Invacare GmbH  
Am Achener Hof 8  
D-88316 Isny  
Germany



Invacare UK Operations Limited  
Unit 4, Pencoed Technology Park, Pencoed  
Bridgend CF35 5AQ  
UK

1639501-F 2022-12-06



**Making Life's Experiences Possible®**

**AQUATEC®**



**Yes, you can.®**