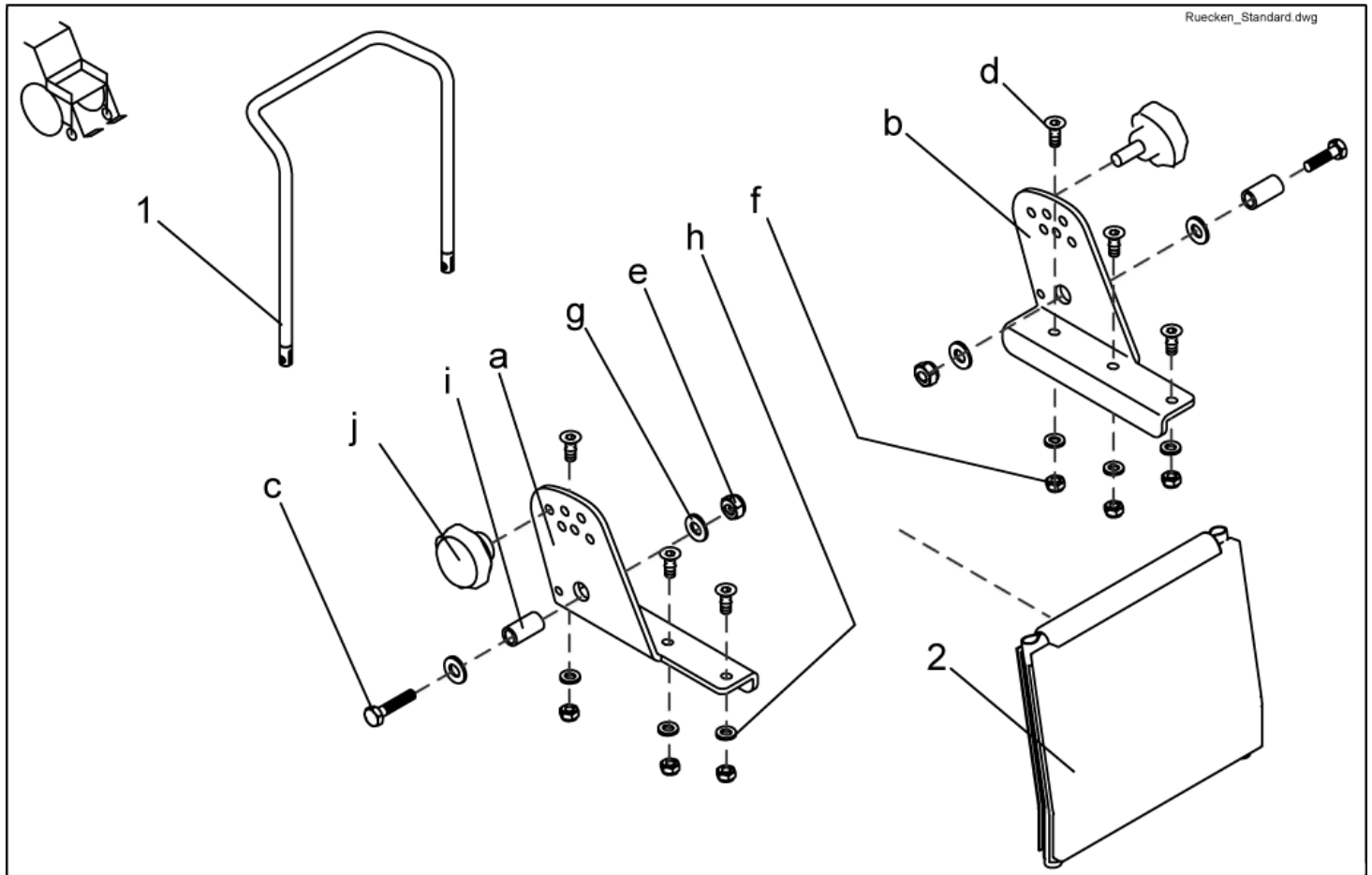


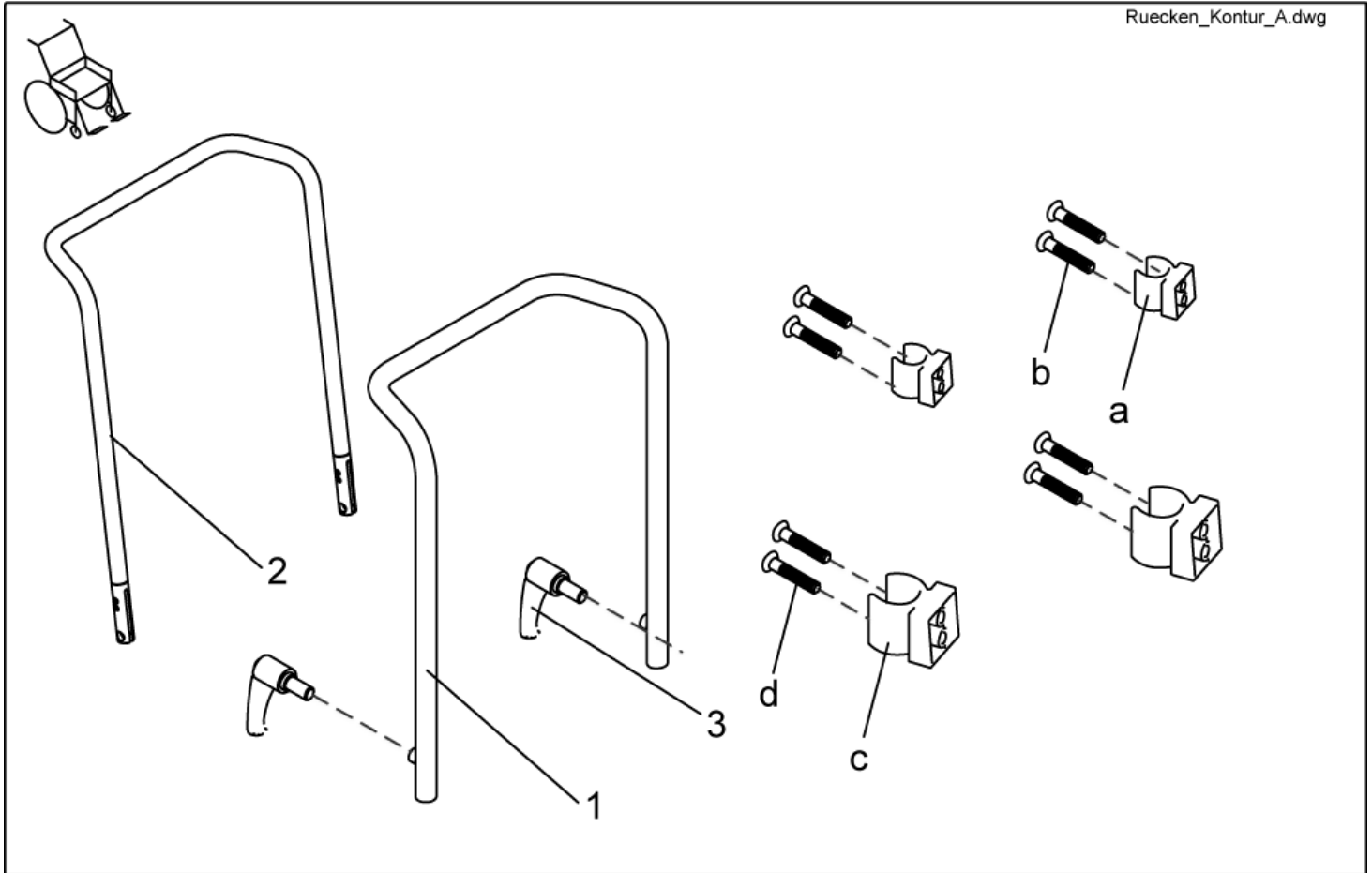
## Back Unit - Backrest frame Standard



item	ordercode	description	quantity
1	1419996-9005	BACK TUBE 480 MM	1
1	1420465-9005	BACK TUBE 540 MM	1
2	1422062	BACK STRAP 480 MM	1
2	1422063	BACK STRAP 540 MM	1
a-j	SP1423208	STD. BACKREST ASSEMBLY KIT CPL.	1
a	NA	BACKREST ADJUSTMENT RH	1
b	NA	BACKREST ADJUSTMENT LH	1
c	NA	HEX HEAD SCREW M8 X 35	2
d	NA	COUNTERSUNK SOCKET HEAD SCREW M6 X 16	6
e	NA	NYLOC NUT M8	2
f	NA	DOMED NYLOC NUT M6, SELF-LOCKING	6
g	NA	WASHER 8,4 X 17 X 1,6	4
h	NA	WASHER 6,4 X 12,5 X 1,6	6
i	NA	BUSH RD. 12 X 1.8 X 23	2
j	SP1420444	STAR GRIP M8 CPL.	2

## Back Unit - Backrest frame CONTOUR

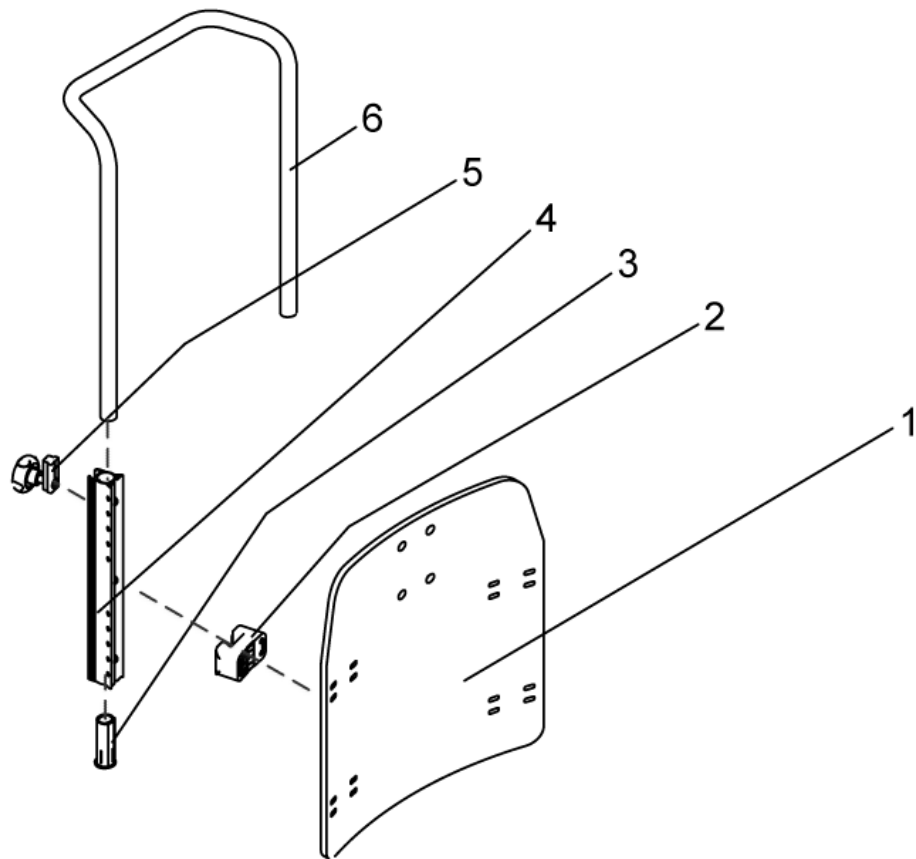
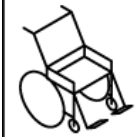
Ruecken\_Kontur\_A.dwg



item	ordercode	description	quantity
1	1420478-9005	BACK TUBE CONTOUR	1
2	1434878-9005	BACKTUBE CONTOUR FOR STORM <sup>®</sup> EURO	1
3	L31996	LEVER M10 X 20	2
a-d	SP1423216	PADDED BACKREST UPHOLSTERY ASSEMBLY KIT	1
a	NA	CLAMP SHORT	2
b	NA	SCREW 5 X 30	4
c	NA	CLAMP LONG	2
d	NA	SCREW 5 X 45, DIN 7505	4

## Back Unit - Backrest frame FLEX

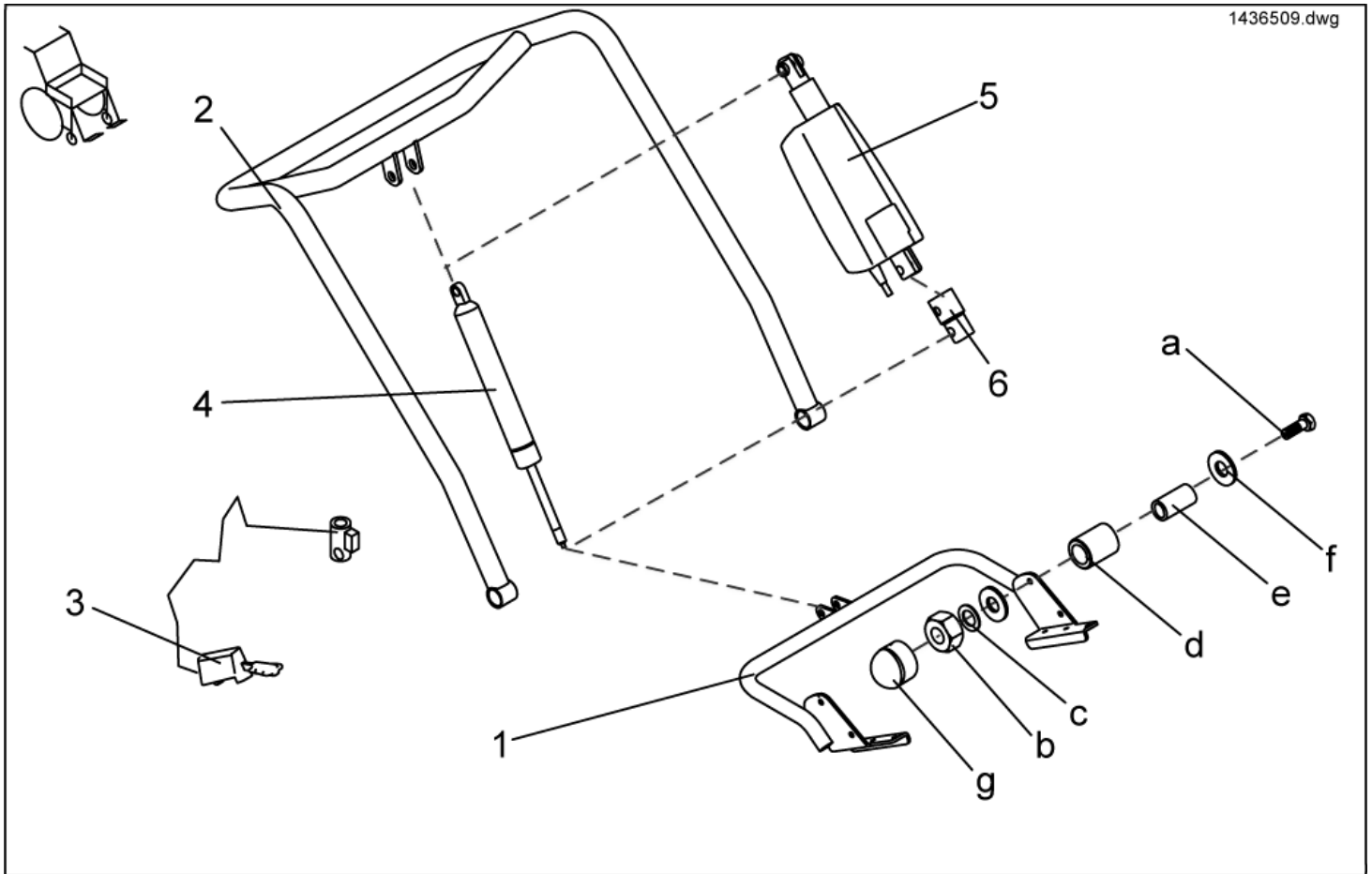
Ruecken\_Flex.dwg



item	ordercode	description	quantity
-	SP1422126	BACKREST FLEX SB 39 WITHOUT UPHOLSTERY CPL.	1
-	SP1422124	BACKREST FLEX SB 43 WITHOUT UPHOLSTERY CPL.	1
-	SP1422125	BACKREST FLEX SB 48 WITHOUT UPHOLSTERY CPL.	1
1	SP1423217	BACK PLATE SB 39 CPL.	1
1	SP1423218	BACK PLATE SB 43 CPL.	1
1	SP1423219	BACK PLATE SB 48 CPL.	1
2	SP1422117	SPACER BLOCK, 4 PIECES	1
3	SP1423220	GUIDE BUSH CPL. (PAIR)	1
4	5252204	BACKREST BAR	2
5	5253088	FIXING BLOCK	4
6	1425840-9005	PUSH HANDLE SB 39	1
6	1425839-9005	PUSH HANDLE SB 44/48	1

## Back Unit - Backrest adjustment STANDARD

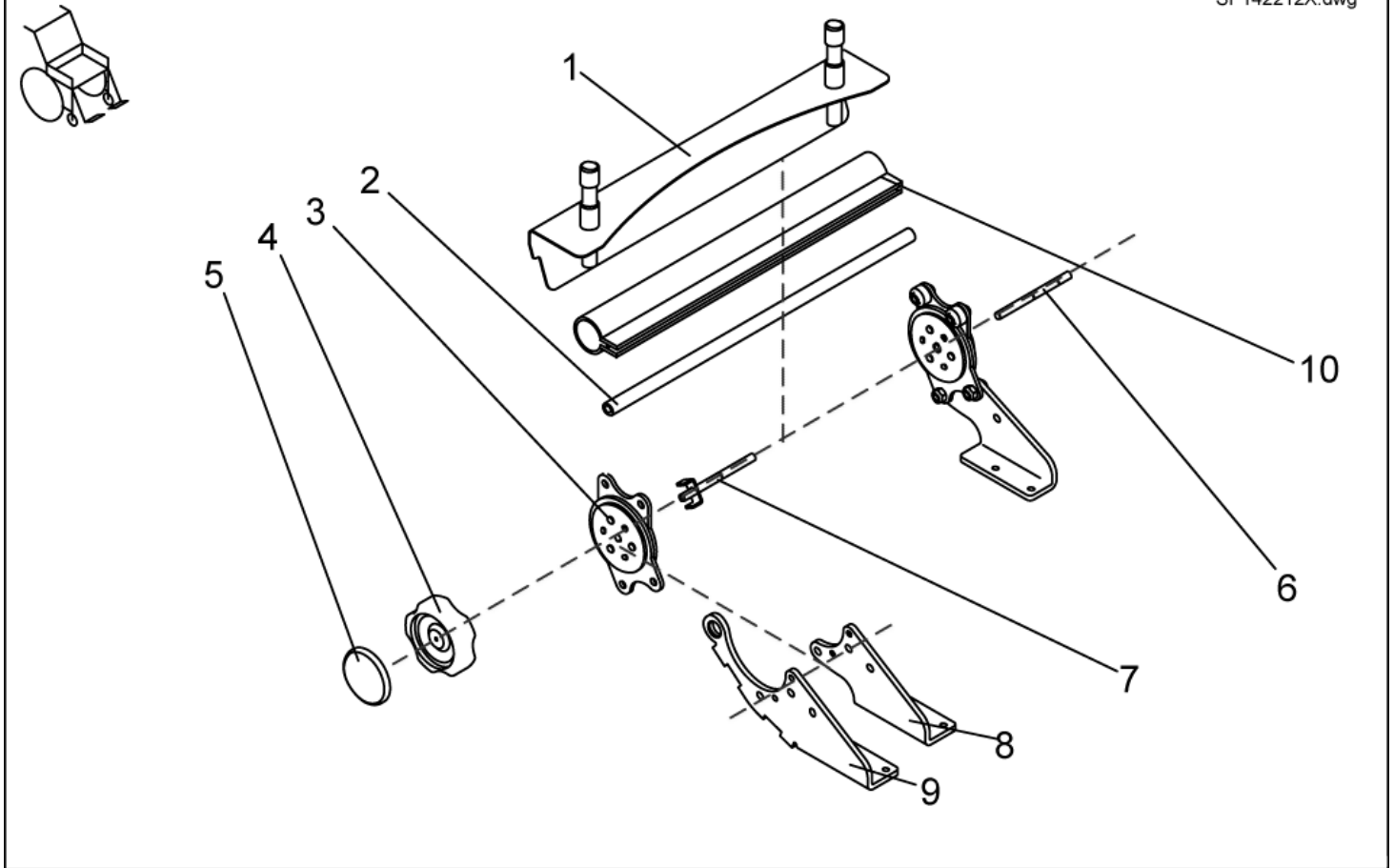
1436509.dwg



item	ordercode	description	quantity
-	SP1436509	BACKREST ADJUSTMENT PNEUMATIC FOR STANDARD SEAT COMPLETE	1
-	SP1436507	BACKREST ADJUSTMENT ELECTRICAL FOR STANDARD SEAT COMPLETE	1
-	SP1444991	Rückenverstellung Standard, Rückenhöhe 54cm, pneumatisch, komplett mit Rückengurt	1
-	SP1443270	Rückenverstellung Standard, Rückenhöhe 54cm, elektrisch, komplett mit Rückengurt	1
1	1440394-9005	LOWER RECEIVING BRACKET	1
2	1440395-9005	BACKTUBE	1
3	N368003	RELEASE LEVER "STABILUS"	1
4	N368007	BACK ADJUSTER PNEUMATIC CPL.	1
5	1418016	BACK ADJUSTER ELECTRIC CPL.	1
6	N368001.89	EXTENSION PART FOR ACTUATOR	1
a-g	F367005	FIXING KIT FOR SEAT MOUNTING	1
a	NA	AXLE BOLT M8 X 45	2
b	NA	NYLOC NUT M8	2
c	NA	WASHER 8,4 X 17 X 1,6	2
d	NA	BUSH RD. 18 X 3 X 22	4
e	NA	BUSH RD. 12 X 1.8 X 23	2
f	NA	WASHER 8,4 X 25 X 2 DIN 9021	2
g	NA	NUT CAP M8	2

## Back Unit - Backrest adjustment FLEX/CONTUR man.

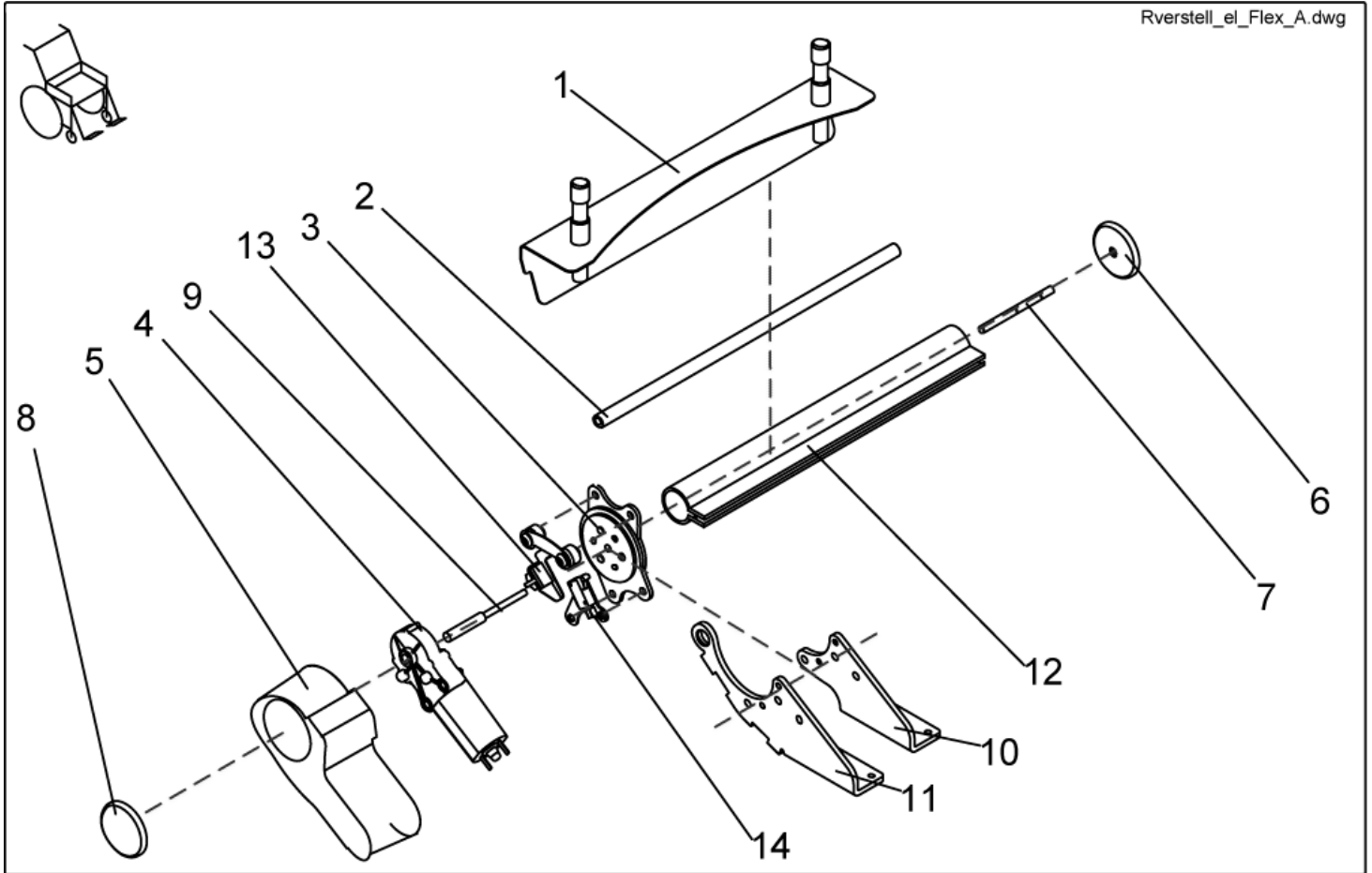
SP142212X.dwg



item	ordercode	description	quantity
-	SP1422122	MANUAL BACKREST ADJUSTMENT F. FLEX SB 39 CPL.	1
-	SP1422066	MANUAL BACKREST ADJUSTMENT SB 43 CPL.	1
-	SP1422067	MANUAL BACKREST ADJUSTMENT SB 48 CPL.	1
-	SP1425857	Manual BACK ADJUSTER, SEAT WIDTH 39CM, FOR SLIDING ARMRESTS, cpl.	1
-	1442942	Manual BACK ADJUSTER, SEAT WIDTH 43cm, FOR SLIDING ARMRESTS, cpl.	1
-	SP1425854	Manual BACK ADJUSTER, SEAT WIDTH 48cm, FOR SLIDING ARMRESTS, cpl.	1
-	SP1423210	BACKREST ADJUSTMENT ASSEMBLY KIT, CPL.	1
1	1422119-9005	BACKREST RECEPTACLE 390 MM	1
1	1419992-9005	BACKREST RECEPTACLE 430 MM	1
1	1422112-9005	BACKREST RECEPTACLE 480 MM	1
2	1420489	CONNECTING TUBE 380 MM	1
2	1420490	CONNECTING TUBE 430 MM	1
2	1420491	CONNECTING TUBE 480 MM	1
3	SP1450234	SEAT BRACE (1 PAIR)	1
4	1420483	HAND WHEEL	1
5	1421696	PERFORATED REFLECTOR; YELLOW	2
6	1420488-0002	SUPPORT SHAFT	1
7	1421713-0002	HAND WHEEL SHAFT	1
8	1420477-9005	BRACE RECEPTACLE manual/electrical LH	1
8	1420476-9005	BRACE RECEPTACLE manual RH	1
9	1429564-9005	FITTING ATTACHMENT LH F. SLIDING ARMREST	1
9	1429563-9005	FITTING ATTACHMENT RH F. MANUAL ADJUSTMENT	1
10	1442577	PROTECTIVE COVERING 380MM	1
10	1442578	PROTECTIVE COVERING 430MM	1
10	1442577	PROTECTIVE COVERING 480MM	1

## Back Unit - Backrest adjustment FLEX/CONTUR el.

Rverstell\_el\_Flex\_A.dwg

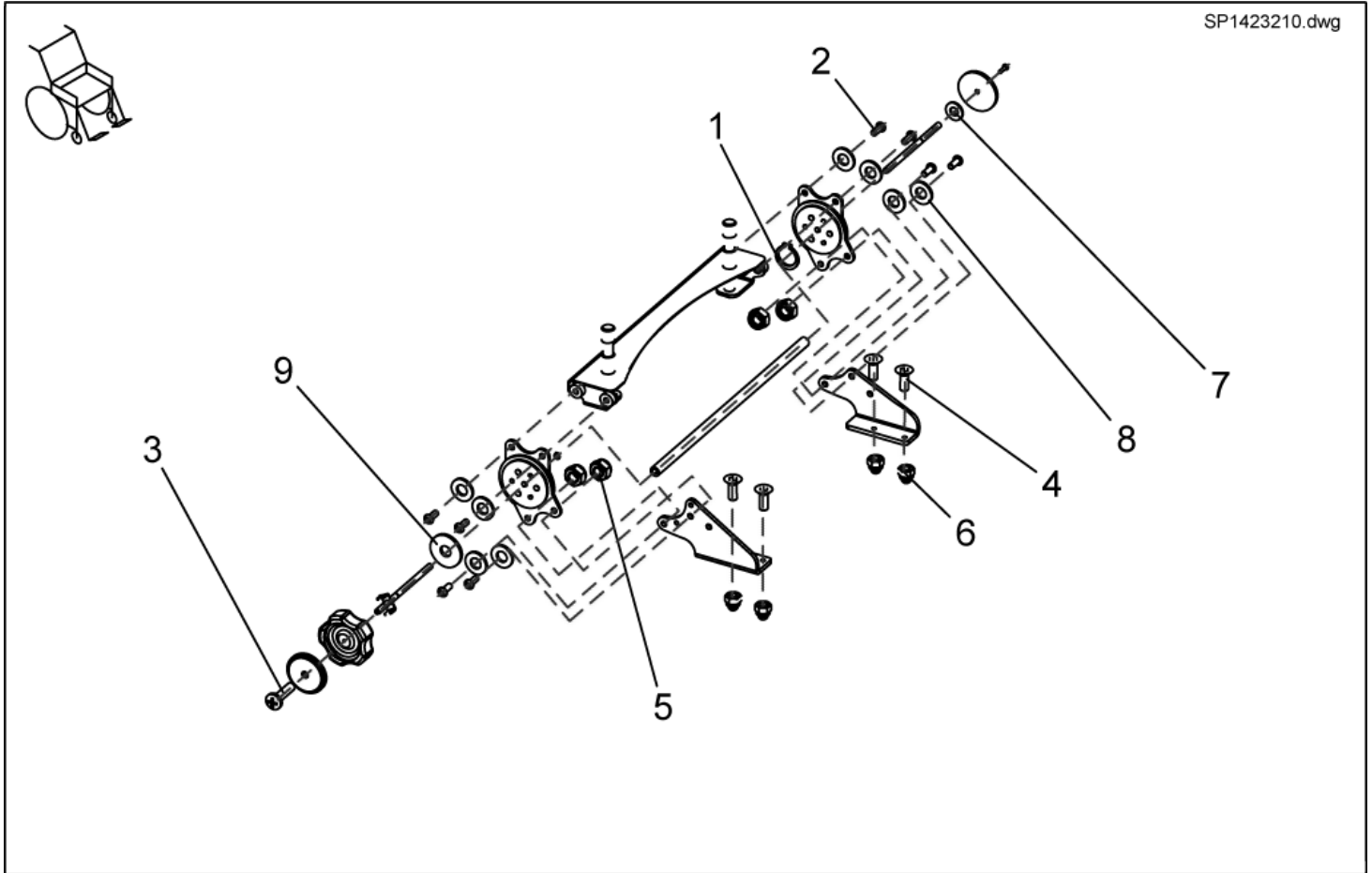


item	ordercode	description	quantity
-	SP1422123	ELECTRONIC BACKREST ADJUSTMENT F. FLEX SB 39 CPL.	1
-	SP1422068	ELECTRONIC BACKREST ADJUSTMENT SB 43 CPL.	1
-	SP1422069	ELECTRONIC BACKREST ADJUSTMENT SB 48 CPL.	1
-	SP1425858	ELECTRICAL BACK ADJUSTER, SEAT WIDTH 39CM, FOR SLIDING ARMRESTS, CPL.	1
-	SP1425855	ELECTRICAL BACK ADJUSTER, SEAT WIDTH 43CM, FOR SLIDING ARMRESTS, CPL.	1
-	SP1425856	ELECTRICAL BACK ADJUSTER, SEAT WIDTH 48CM, FOR SLIDING ARMRESTS, CPL.	1
-	SP1423210	BACKREST ADJUSTMENT ASSEMBLY KIT, CPL.	1
1	1422119-9005	BACKREST RECEPTACLE 390 MM	1
1	1419992-9005	BACKREST RECEPTACLE 430 MM	1
1	1422112-9005	BACKREST RECEPTACLE 480 MM	1
2	1420489	CONNECTING TUBE 380 MM	1
2	1420490	CONNECTING TUBE 430 MM	1
2	1420491	CONNECTING TUBE 480 MM	1
3	SP1423211	SEAT BRACE (1 PAIR)	1
4	1420475	GEAR MOTOR GMPG	1
5	1420998	MOTOR CAP	1
6	1421696	PERFORATED REFLECTOR; YELLOW	2
7	1420488-0002	SUPPORT SHAFT	1
8	1420482	REFLECTOR	1
9	1420487-0002	MOTOR SHAFT	1
10	1420477-9005	BRACE RECEPTACLE manual/electrical LH	1
10	1421708-9005	BRACE RECEPTACLE electrical, RH	1
11	1429564-9005	FITTING ATTACHMENT LH F. SLIDING ARMREST	1
11	1429563-9005	FITTING ATTACHMENT RH F. MANUAL ADJUSTMENT	1
12	1442577	PROTECTIVE COVERING 380MM	1
12	1442578	PROTECTIVE COVERING 430MM	1
12	1442577	PROTECTIVE COVERING 480MM	1

item	ordercode	description	quantity
13	SP1423212	SOLID ANGLE SENSOR CPL.	1
14	SP1423213	LIMIT STOP SWITCH CPL.	1

## Back Unit - Backrest adjustment ASSEMBLY KIT, cpl.

SP1423210.dwg

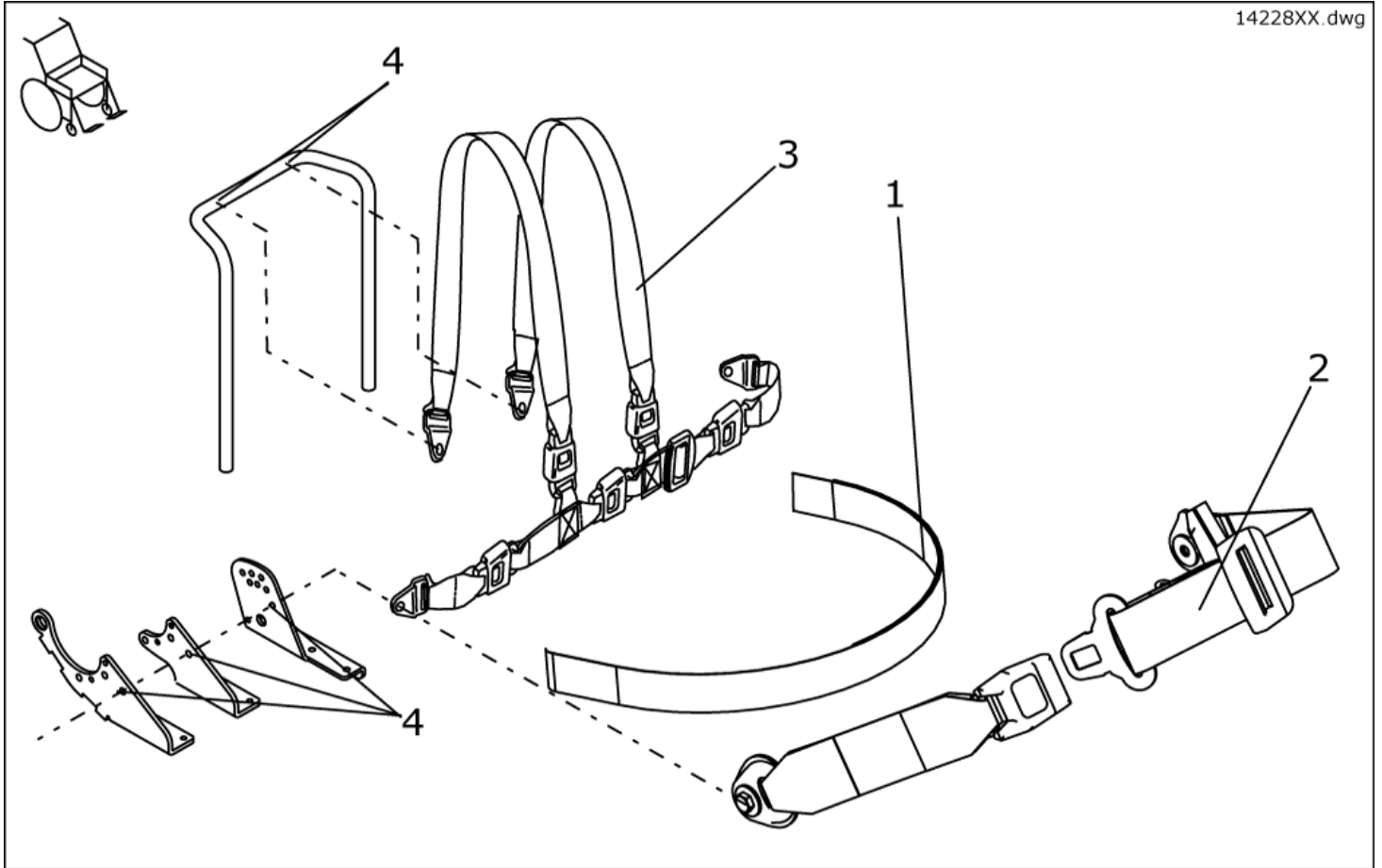


item	ordercode	description	quantity
-	SP1423210	BACKREST ADJUSTMENT ASSEMBLY KIT, CPL.	1
1	NA	RETAINING RING	2
2	NA	SCREW M8 X 20	8
3	NA	CROSS HEAD SCREW M4 X 16	2
4	NA	COUNTERSUNK SOCKET HEAD SCREW M6 X 16	4
5	NA	NYLOC NUT M8	4
6	NA	DOMED NYLOC NUT M6, SELF-LOCKING	4
7	NA	WASHER 4,3 X 9 X 0,8	1
8	NA	WASHER 8,4 X 17 X 1,6	11
9	NA	WASHER 8,4 X 25 X 2	1



## Back Unit - Retaining belts

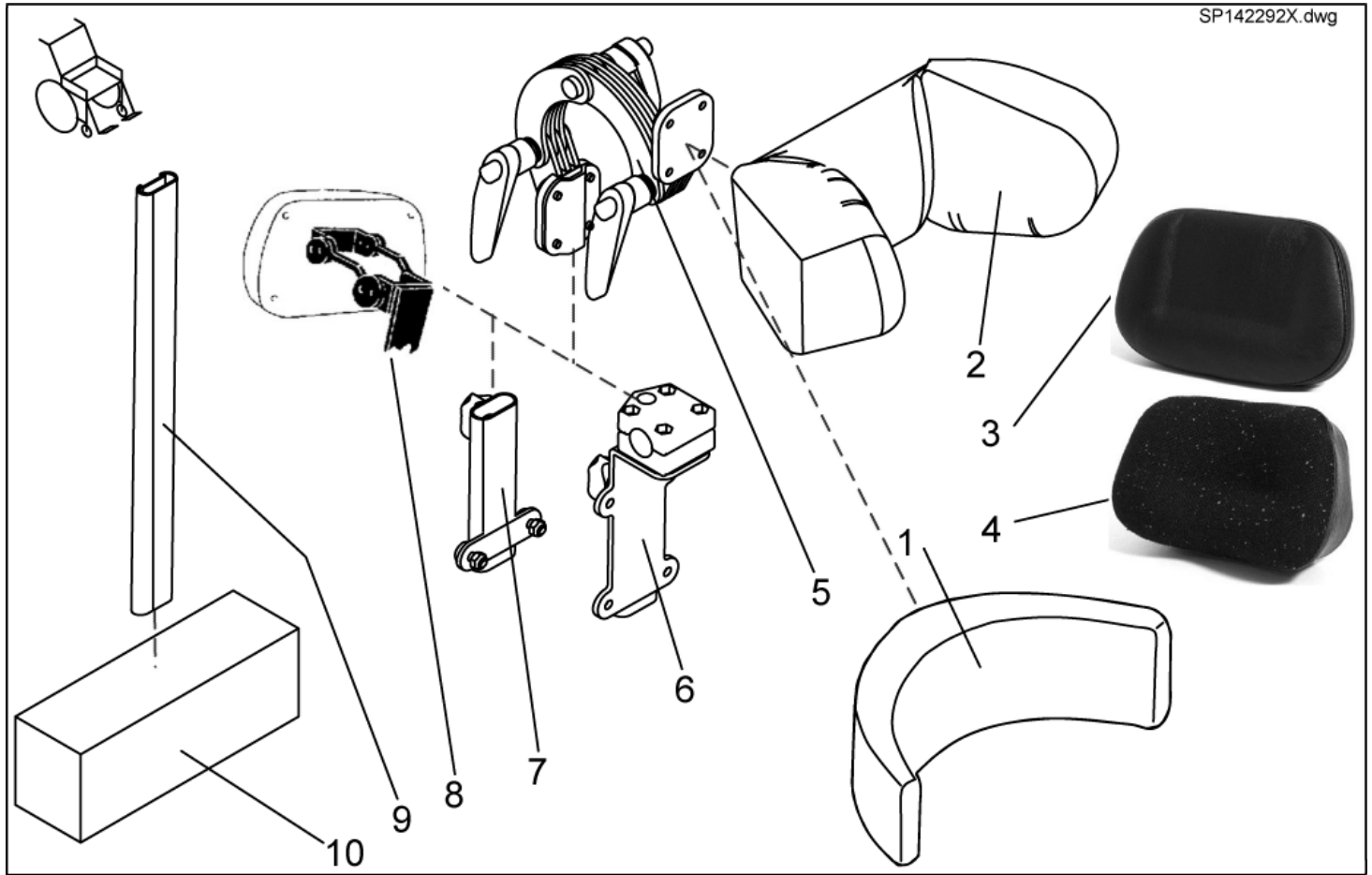
14228XX.dwg



item	ordercode	description	quantity
1	1422869	POSITIONING STRAP W. VELCRO CPL. FOR STANDARD-SEAT	1
1	1422870	POSITIONING STRAP W. VELCRO CPL. FOR FLEX/CONTOUR-SEAT	1
1	F367002	SAFETY BELT WITH VELCRO FASTNER F. RECARO	1
2	1422845	POSITIONING STRAP W. SNAP CPL. FOR STANDARD-SEAT	1
2	1422846	POSITIONING STRAP W. SNAP CPL. FOR FLEX/CONTOUR	1
2	Z163001A	SAFETY BELT WITH SNAP LOCK AND VELCRO FASTNER FOR RECARO	1
3	1422848	H-STRAP STD./CONTOUR	1
3	1422847	H-STRAP FLEX	1
4	NA	SCREW-DOWN POINTS FOR RETAINING BELTS	2, 4

## Back Unit - Head rests

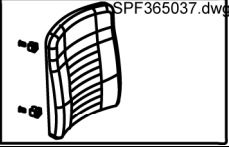
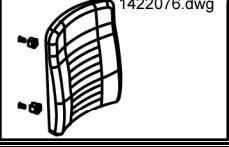
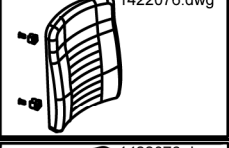

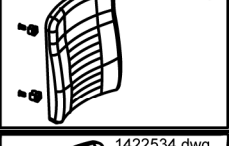






ONLY FOR SEAT SYSTEMS WITHOUT HEADREST.

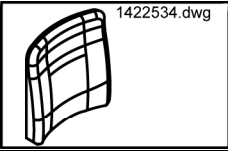
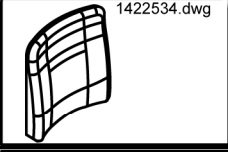
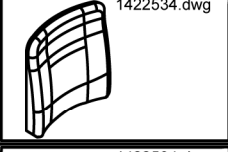
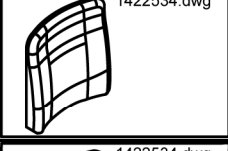
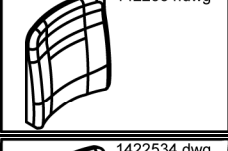
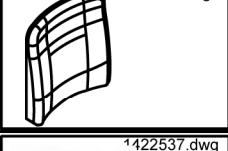



item	ordercode	description	quantity
1+5	SP1422925	HEADREST CONTOUR BLACK CPL.	1
2+5	SP1423163	HEADREST FLEX GREY CPL.	1
2+5	SP1428092	HEADREST FLEX, DARTEX GREY, COMPLETE	1
2+5	SP1422926	HEADREST FLEX BLUE CPL.	1
2+5	SP1440285	HEADREST FLEX, BLACK COMPLETE	1
1	1422865	HEADREST PAD STD./CONTOUR BLACK	1
2	5252230-TR04	HEADREST PAD FLEX GREY	1
2	1422544	HEADREST PAD FLEX BLUE	1
3	1419640	Head rest pad Arne Jensen Standard children	1
3	5313999	Head rest pad Arne Jensen Standard adults	1
4	1419646	Head rest pad Arne Jensen Type 4 children	1
4	1419643	Head rest pad Arne Jensen Type 4 adults	1
5	5255497	HEADREST HOLDER	1
6	SP1422914	HEADREST HOLDER F. STD. SEAT SYSTEM CPL.	1
7	SP1422547	HEADREST HOLDER F. CONTOUR/FLEX. SEAT SYSTEM CPL.	1
8	1419637	Head rest holder Arne Jensen Type 3 children	1
8	1419636	Head rest holder Arne Jensen Type 3 adults	1
9	1422921	HOLDER F. BACKREST EXTENSION	1
10	5253035-TR04	BACKREST EXTENSION SB 39; GREY	1
10	5253035-TR23	BACKREST EXTENSION REA 704 SB 39; DARTEX GREY	1
10	SP1422918	BACKREST EXTENSION FLEX SB 39; BLUE	1
10	SP1436567	BACKREST EXTENSION FLEX SB 39; BLACK	1
10	5253036-TR04	BACKREST EXTENSION SB 44; GREY	1
10	5253036-TR23	BACKREST EXTENSION REA 704 SB 43; DARTEX GREY	1

<b>item</b>	<b>ordercode</b>	<b>description</b>	<b>quantity</b>
10	SP1422919	BACKREST EXTENSION FLEX SB 43; BLUE	1
10	SP1436568	BACKREST EXTENSION FLEX SB 43; BLACK	1
10	5253037-TR04	BACKREST EXTENSION SB 49; GREY	1
10	5253037-TR23	BACKREST EXTENSION REA 704 SB 48; DARTEX GREY	1
10	SP1422920	BACKREST EXTENSION FLEX SB 48; BLUE	1
10	SP1440283	BACKREST EXTENSION FLEX SB 48; BLACK	1

## Back Unit - Backrest Upholstery

Picture	Seat system	Seat width cm	color	ordercode
 SPF365037.dwg	Euro-Kontur-Sitz	n.a	grey	SPF365037
 1422076.dwg	Kontur	43	black	SP1422076
 1422076.dwg	Kontur	43	grey	SP1422075
 1422076.dwg	Kontur	48	black	SP1422078
 1422076.dwg	Kontur	48	grey	SP1422077
 1422534.dwg	Flex	39	blue	1422534
 1422534.dwg	Flex	39	Vinyl grey	5252506-TR04
 1422534.dwg	Flex	39	Dartex grey	5252506-TR23
 1422534.dwg	Flex	39	black	1436564
 1422534.dwg	Flex	43	blue	1422535
 1422534.dwg	Flex	43	Vinyl grey	5252507-TR04

Picture	Seat system	Seat width cm	color	ordercode
 1422534.dwg	Flex	43	Dartex grey	5252507-TR23
 1422534.dwg	Flex	43	black	1436565
 1422534.dwg	Flex	48	blue	1422536
 1422534.dwg	Flex	48	Vinyl grey	5252508-TR04
 1422534.dwg	Flex	48	Dartex grey	5252508-TR23
 1422534.dwg	Flex	48	black	1436566
 1422537.dwg	Flex Vic Air	43	VicAir	1422537