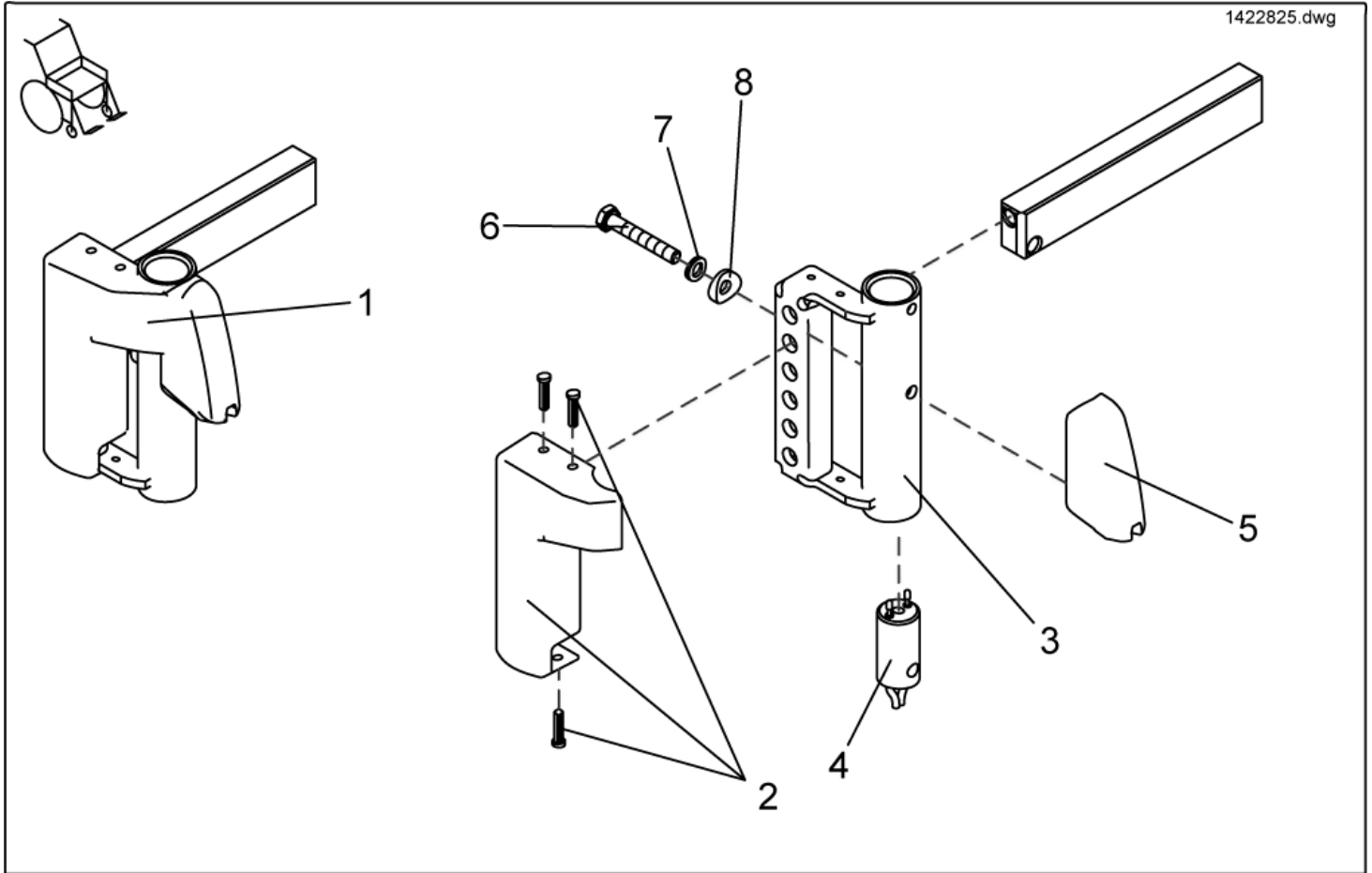


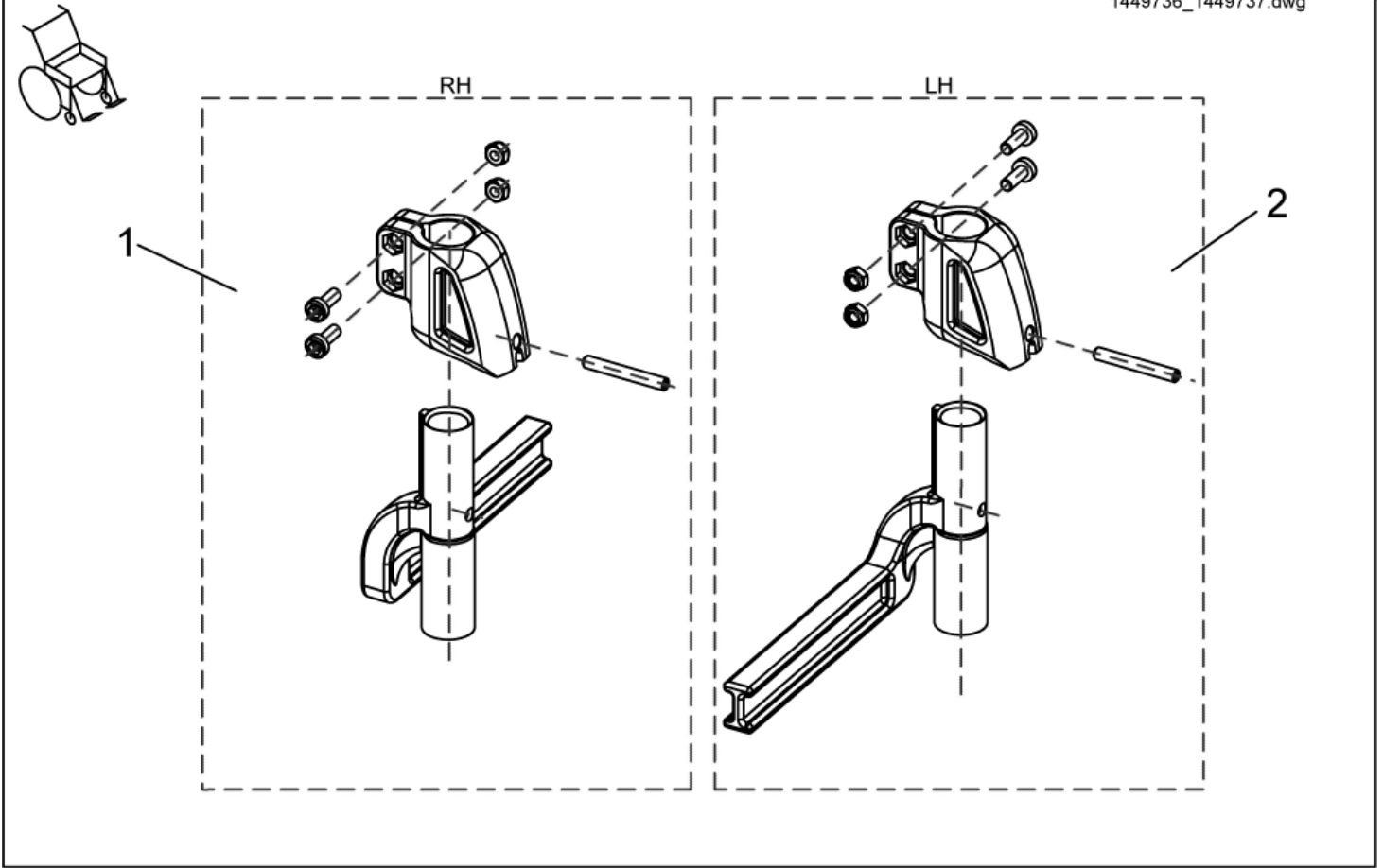
Legrests, sideways mounted - Footrest receptacle



| item | ordercode | description | quantity |
|------|-----------|--|----------|
| 1 | SP1417917 | LEG SUPPORT CARRIER LH MG HS SEAT FRAMES | 1 |
| 1 | SP1417918 | LEG SUPPORT CARRIER RH MG HS SEAT FRAMES | 1 |
| 1 | SP1422825 | FOOTREST SUPPORT LH F. ELECTRIC LEGREST | 1 |
| 1 | SP1422826 | FOOTREST SUPPORT RH F. ELECTRIC LEGREST | 1 |
| 2 | 1434961 | FOOTREST SUPPORT RH F. ELECTRIC LEGREST | 1 |
| 2 | 1434960 | COVER LH WITH PINE TREE | 1 |
| 3 | NA | COVER RH WITH PINE TREE | 1 |
| 3 | NA | LEGREST RECEPTACLE LH | 1 |
| 4 | 1415097 | LEGREST RECEPTACLE RH | 2 |
| 5-8 | SP1423192 | LEGREST CONTACT W. CABLE 700 MM | 2 |
| 5 | NA | LEGREST ADAPTER ASSEMBLY KIT | 1 |
| 6 | NA | FRAME ADAPTER (ALU) | 1 |
| 7 | NA | SCREW M6 X 40, DIN 933 | 1 |
| 8 | NA | NORD-LOCK WASHER 6 MM | 1 |

Legrests, sideways mounted - Footrest receptacle complete, manual 8cm

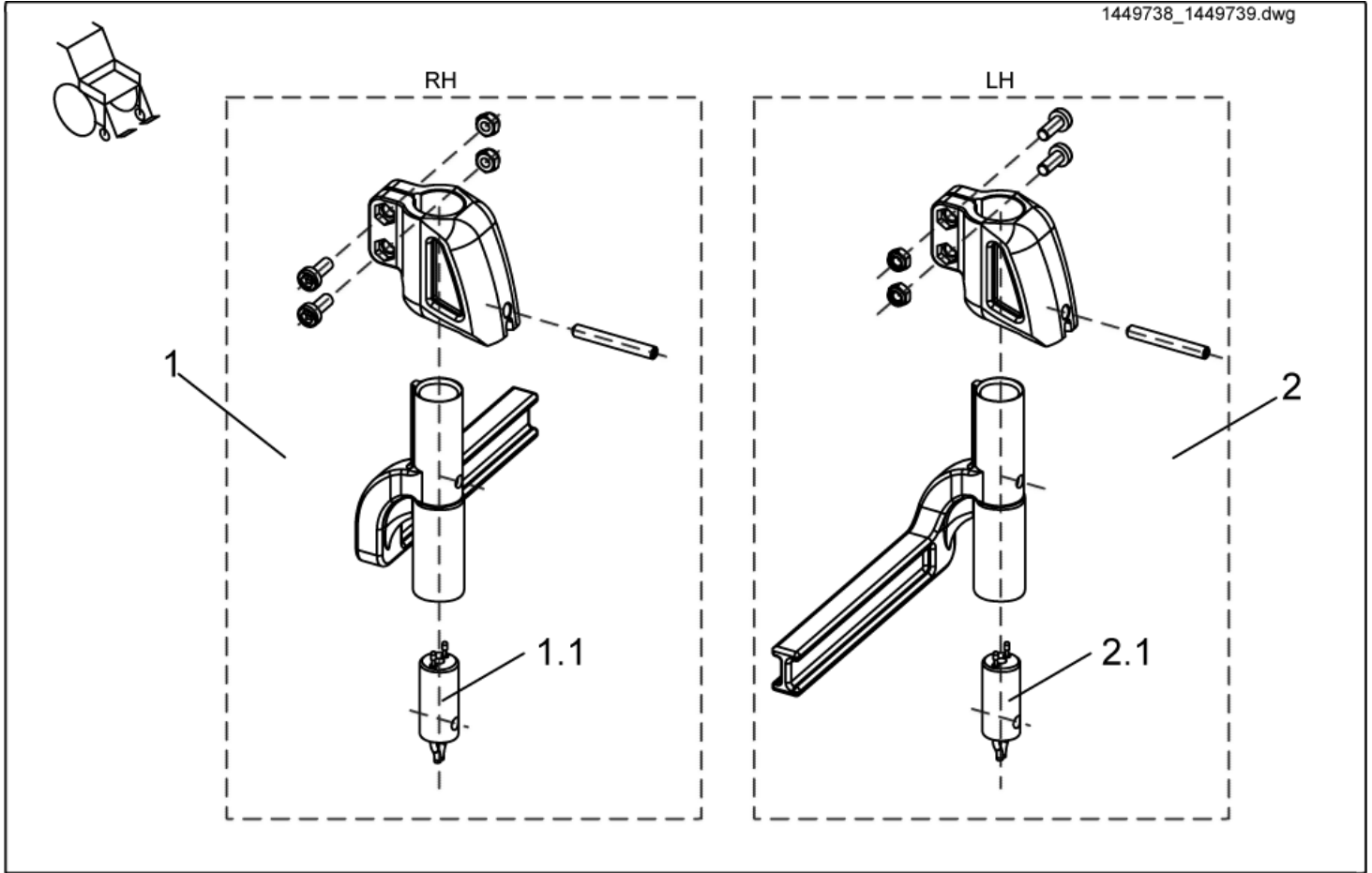
1449736_1449737.dwg



| item | ordercode | description | quantity |
|------|-----------|---|----------|
| 1 | SP1449736 | FOOTREST RECEPTACLE COMPLETE, RH MANUAL 8CM | 1 |
| 2 | SP1449737 | FOOTREST RECEPTACLE COMPLETE, LH MANUAL 8CM | 1 |

Legrests, sideways mounted - Footrest receptacle cpl., electric 8cm

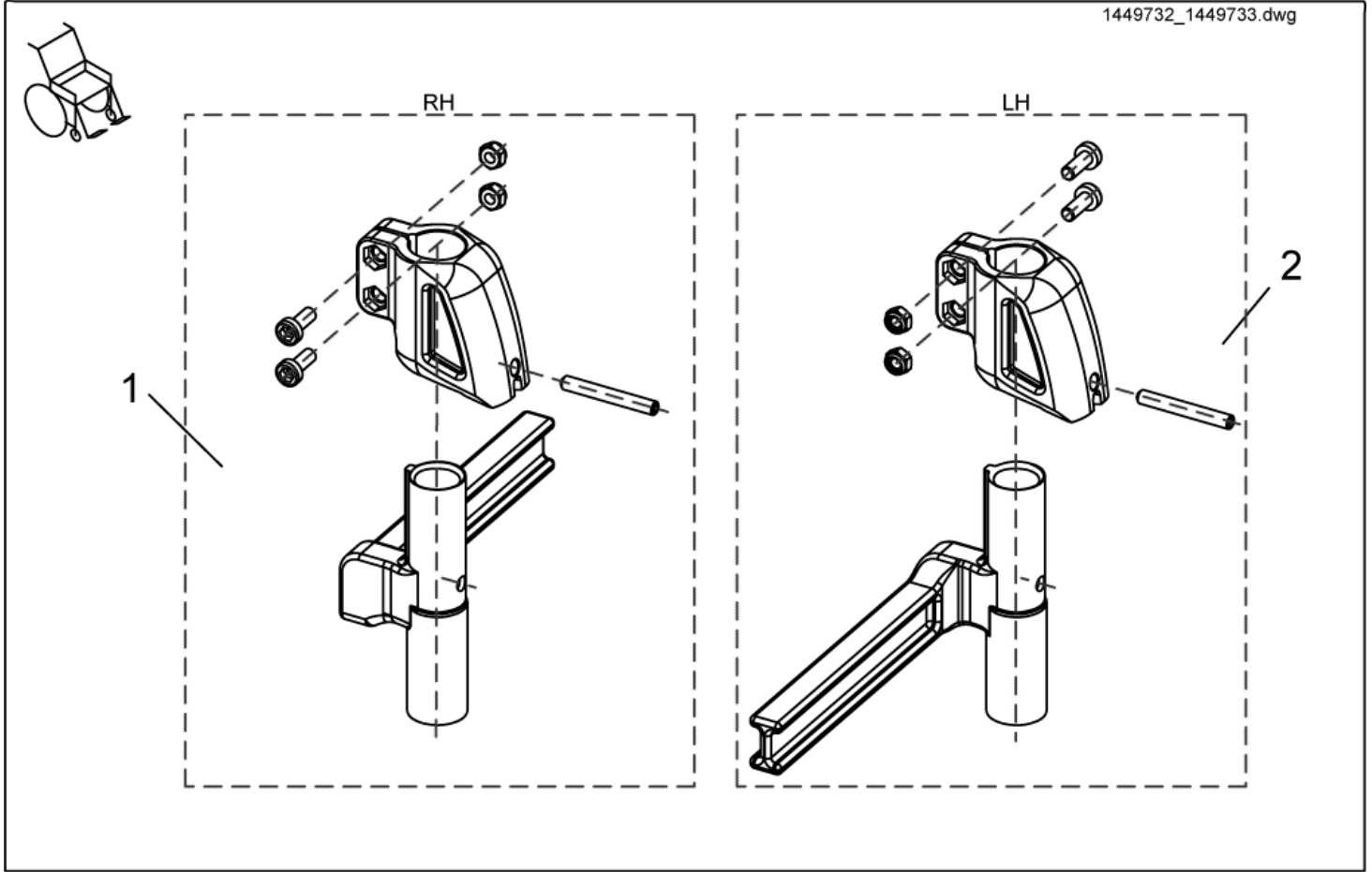
1449738_1449739.dwg



| item | ordercode | description | quantity |
|------|-----------|--|----------|
| 1 | SP1449738 | FOOTREST RECEPTACLE CPL., RH ELECTRIC 8CM | 1 |
| 1.1 | 1450232 | POWER SUPPLY CABLE FOOTREST, SHORT (BLACK ADAPTER) | 1 |
| 2 | SP1449739 | FOOTREST RECEPTACLE CPL., LH ELECTRIC 8CM | 1 |
| 2.1 | 1450228 | POWER SUPPLY CABLE FOOTREST, LONG (BLACK ADAPTER) | 1 |

Legrests, sideways mounted - Footrest receptacle, complete, manual 5cm

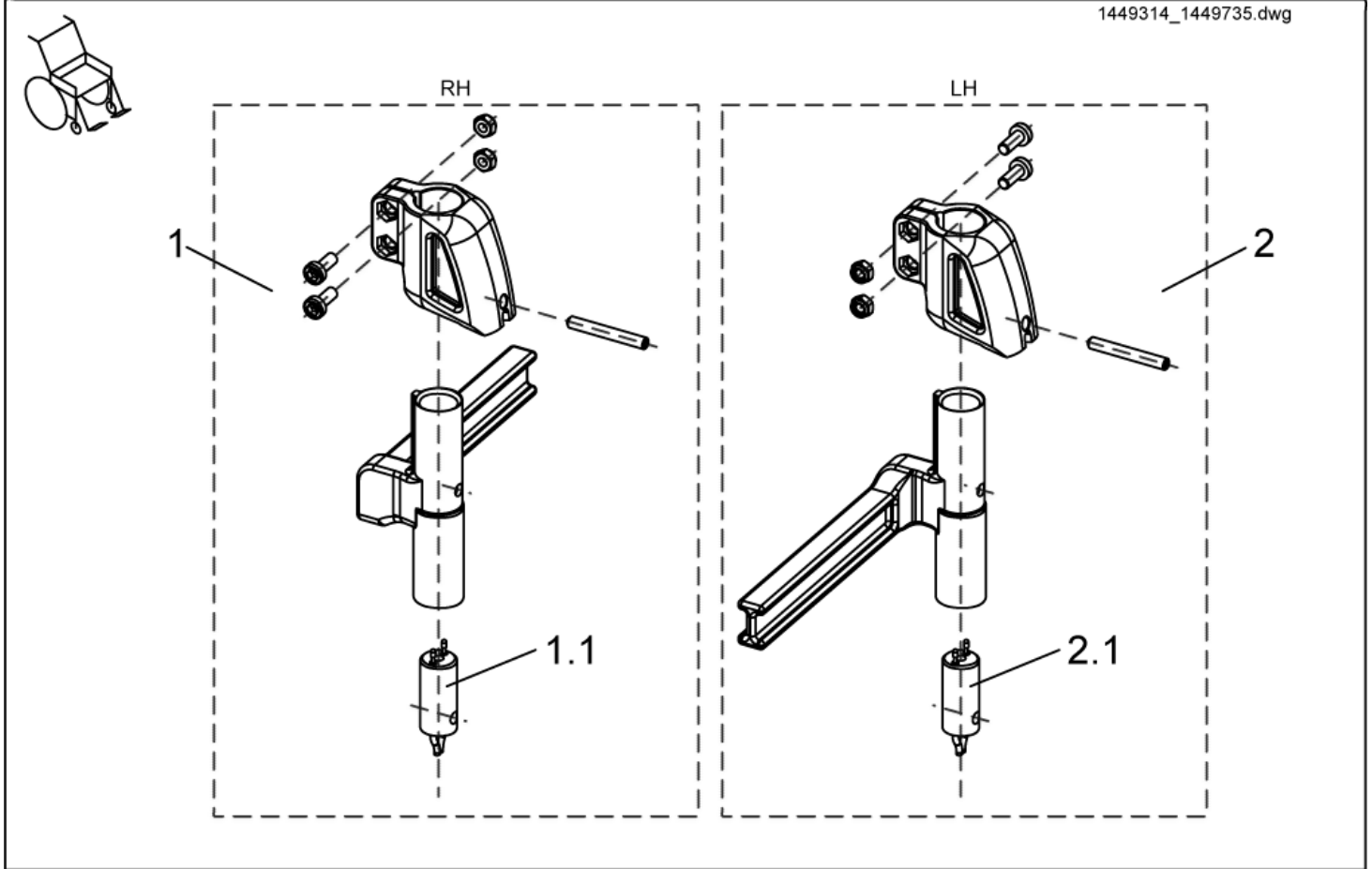
1449732_1449733.dwg



| item | ordercode | description | quantity |
|------|-----------|--|----------|
| 1 | SP1449732 | FOOTREST RECEPTACLE, COMPLETE, MANUAL RH 5CM | 1 |
| 2 | SP1449733 | FOOTREST RECEPTACLE, COMPLETE, MANUAL LH 5CM | 1 |

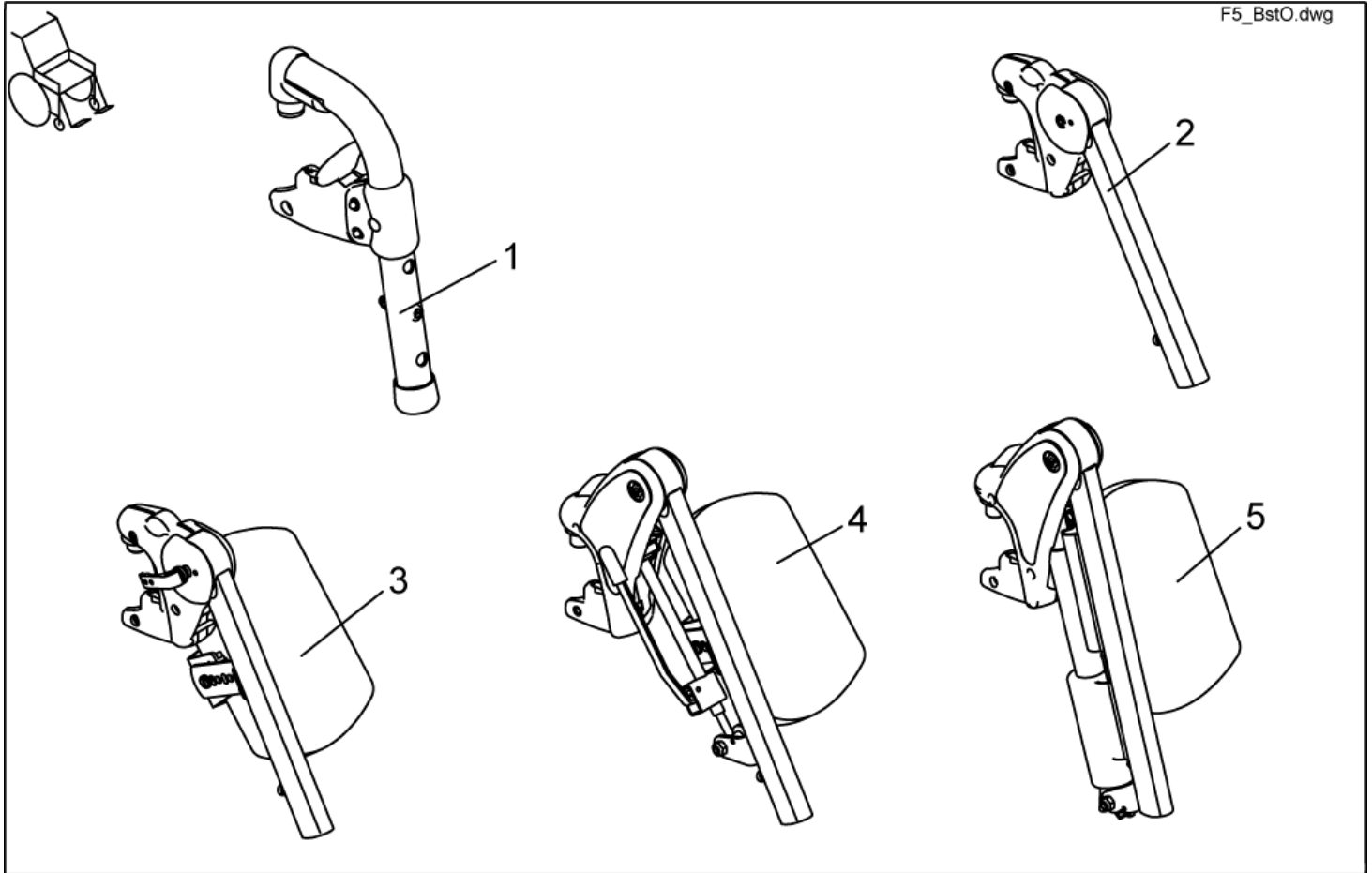
Legrests, sideways mounted - Footrest receptacle, cpl., electric 5cm

1449314_1449735.dwg



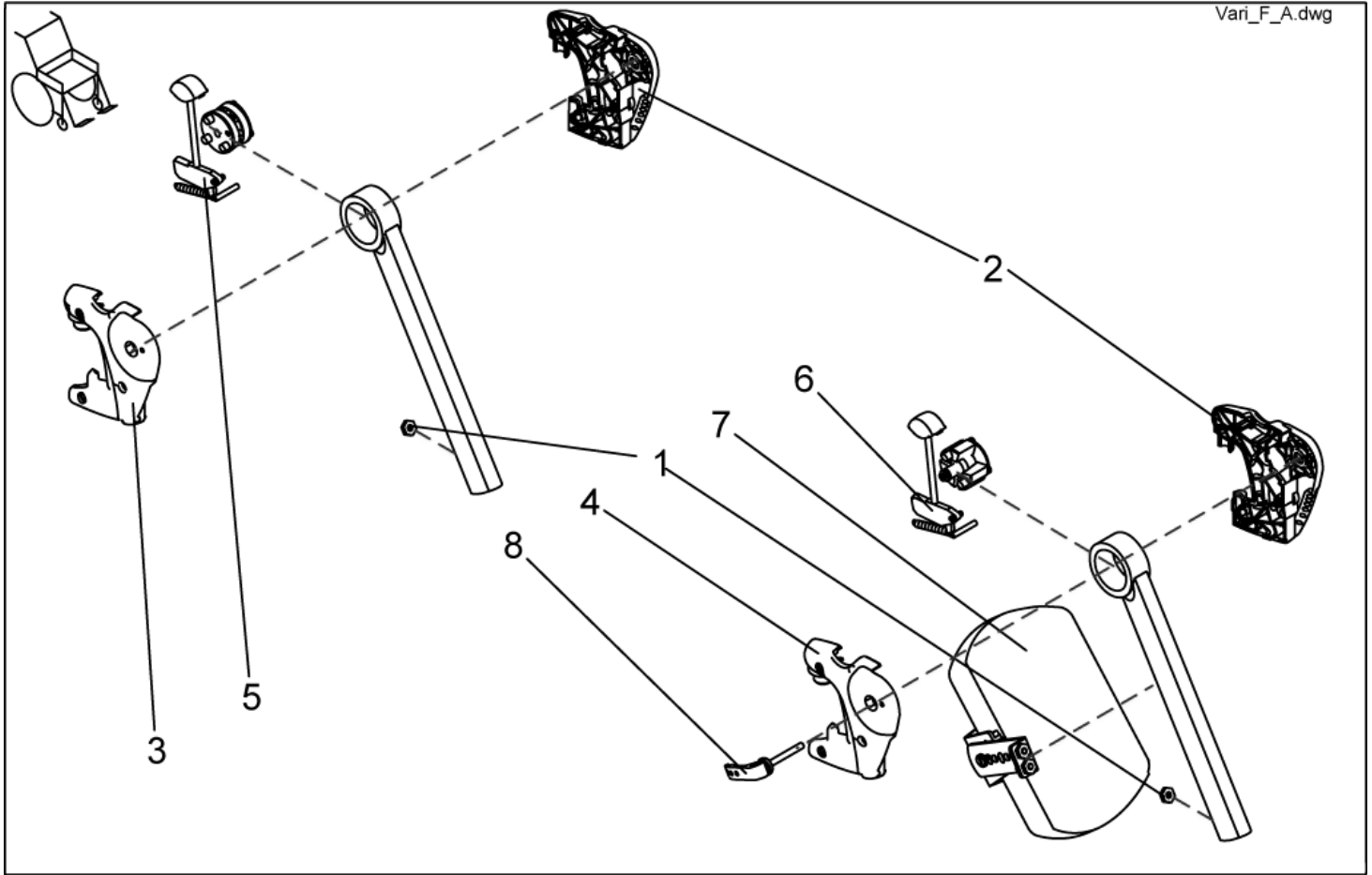
| item | ordercode | description | quantity |
|------|-----------|--|----------|
| 1 | SP1449314 | FOOTREST RECEPTACLE, CPL., ELECTRIC RH 5CM | 1 |
| 1.1 | 1450232 | POWER SUPPLY CABLE FOOTREST, SHORT (BLACK ADAPTER) | 1 |
| 2 | SP1449735 | FOOTREST RECEPTACLE, CPL., ELECTRIC LH 5CM | 1 |
| 2.1 | 1450228 | POWER SUPPLY CABLE FOOTREST, LONG (BLACK ADAPTER) | 1 |

Legrests, sideways mounted - Hanger



| item | ordercode | description | quantity |
|------|-------------|--|----------|
| 1 | 1430117 | LEGRESTS "STORM 3 EURO" CPL. (PAIR) | 1 |
| 1 | 1430116 | LEGRESTS "STORM 3 EURO" LH CPL. | 1 |
| 1 | 1430115 | LEGRESTS "STORM 3 EURO" RH CPL. | 1 |
| 1 | B273003.P92 | HANGER STD. 80 LH CPL.; RAL 0307 | 1 |
| 1 | B273002.P92 | HANGER STD. 80 RH CPL.; RAL 0307 | 1 |
| 2 | SP1422564 | UPPER FOOTREST LH (90°-65°) CPL.. | 1 |
| 2 | SP1422563 | UPPER FOOTREST RH (90°-65°) CPL. | 1 |
| 3 | SP1422565 | UPPER FOOTREST LH, MANUAL HEIGHT ADJUSTMENT, CPL. | 1 |
| 3 | SP1422566 | UPPER FOOTREST RH, MANUAL HEIGHT ADJUSTMENT CPL. | 1 |
| 4 | SP1422568 | UPPER FOOTREST LH 80°, MANUAL HEIGHT ADJUSTMENT, CPL. | 1 |
| 4 | SP1422567 | UPPER FOOTREST T RH 80°, MANUAL HEIGHT ADJUSTMENT CPL. | 1 |
| 5 | SP1422570 | UPPER FOOTREST LH, ELECTR. HEIGHT ADJUSTMENT, CPL. | 1 |
| 5 | SP1422569 | UPPER FOOTREST RH, ELECTRIC HEIGHT ADJUSTMENT, CPL. | 1 |

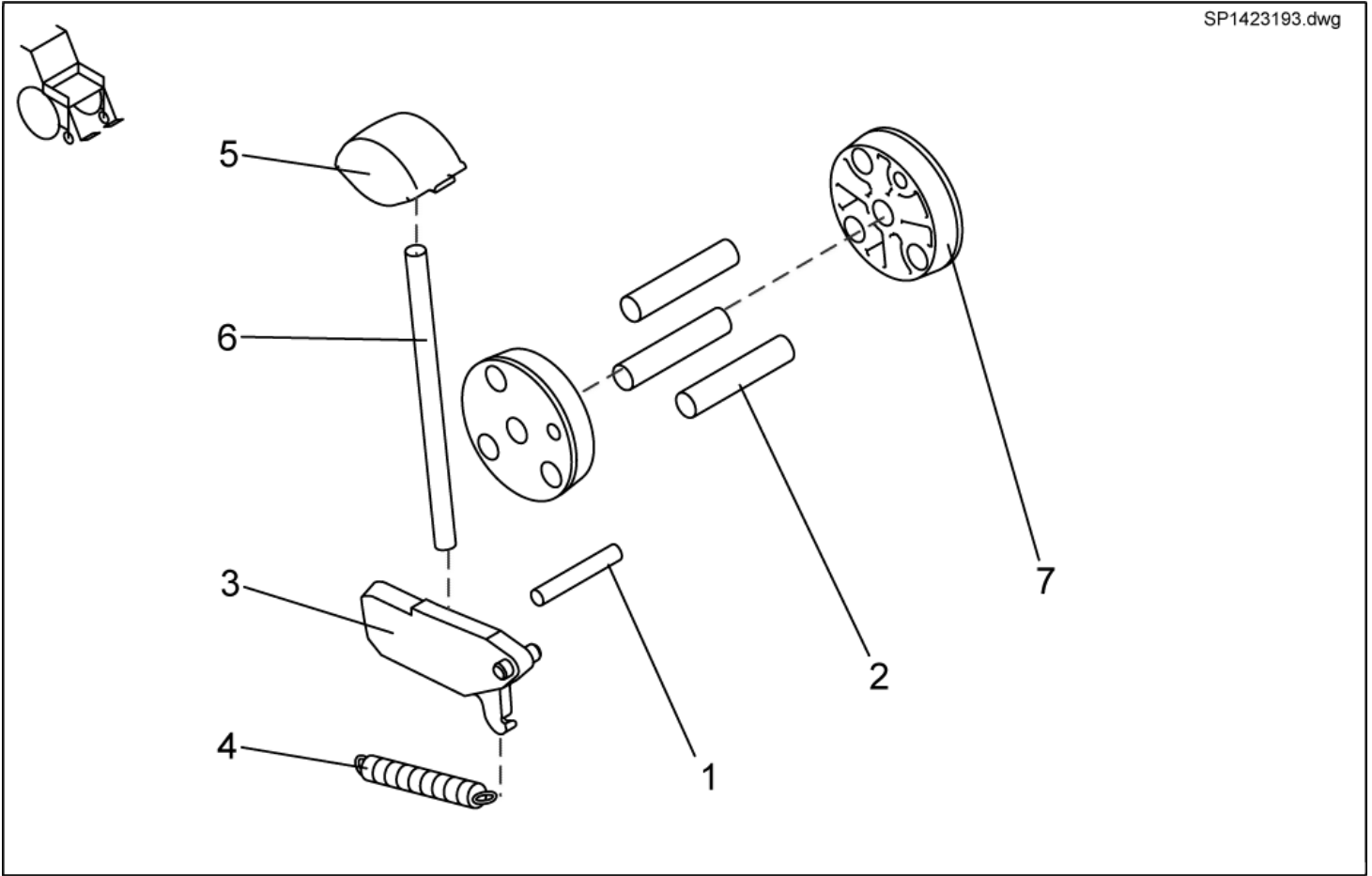
Legrests, sideways mounted - Vari F+A Detailed



| item | ordercode | description | quantity |
|------|------------|--|----------|
| 1 | Z173189.99 | NUT M6 SW-14 | 2 |
| 2 | Z173181 | HANGER LH | 1 |
| 3 | Z173182 | HANGER RH | 1 |
| 4 | Z173194 | HANGER RH | 1 |
| 5 | SP1423193 | RELEASE UNIT ASSEMBLY KIT | 2 |
| 6 | SP1423194 | RELEASE UNIT ASSEMBLY KIT F. LEGREST W. MAN. HEIGHT ADJUSTMENT | 2 |
| 7 | SPZ174163 | CALF SUPPORT (VARI A) CPL. | 2 |
| 7 | 6301333 | CALF SUPPORT | 2 |
| 8 | L32906 | CLAMPING LEVER M6 | 2 |

Legrests, sideways mounted - Release unit assembly kit

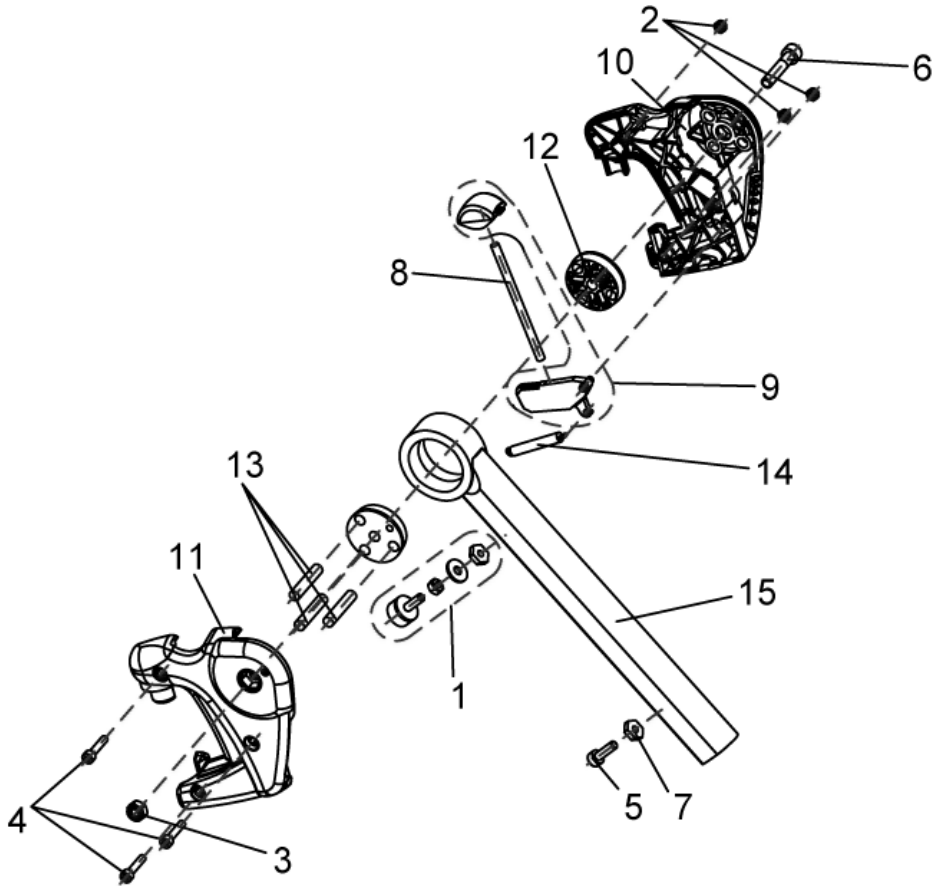
SP1423193.dwg



| item | ordercode | description | quantity |
|------|-----------|---------------------------|----------|
| 1-7 | SP1423193 | RELEASE UNIT ASSEMBLY KIT | 2 |
| 1 | NA | DOWEL RD. 5 X 32; DIN-7 | 1 |
| 2 | NA | DOWEL RD. 8 X 40; DIN-7 | 3 |
| 3 | NA | LOCK LEVER | 1 |
| 4 | NA | SPRING | 1 |
| 5 | NA | RELEASE KNOB | 1 |
| 6 | NA | PUSH ROD | 1 |
| 7 | NA | CONED WASHER | 2 |

Legrests, sideways mounted - Upper Vari F, right

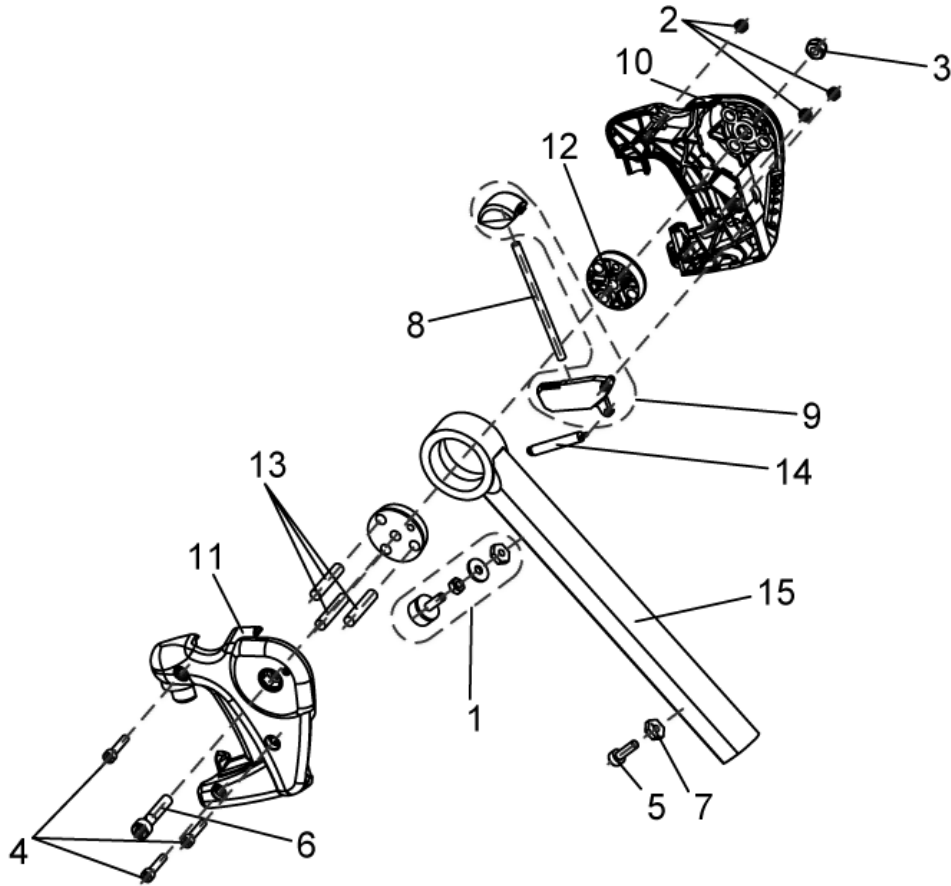
1449346.dwg



| item | ordercode | description | quantity |
|------|--------------|---------------------------------------|----------|
| - | SP1449346 | UPPER VARI F, RH COMPLETE | 1 |
| 1 | 1449154 | RUBBER STOP COMPLETE, VARI A / VARI F | 1 |
| 2 | NA | NYLOC NUT M5 | 3 |
| 3 | NA | NYLOC NUT M8 | 1 |
| 4 | NA | SOCKET HEAD CAP SCREW M5 X 25 | 3 |
| 5 | NA | SOCKET HEAD CAP SCREW M6 X 20 | 1 |
| 6 | NA | SOCKET HEAD CAP SCREW M8 X 40 | 1 |
| 7 | Z173189.99 | NUT M6 SW-14 | 1 |
| 8 | NA | PUSH ROD | 1 |
| 9 | 1449167 | RELEASE BUTTON + LOCK LEVER | 1 |
| 10 | Z173181 | HANGER LH | 1 |
| 11 | Z173182 | HANGER RH | 1 |
| 12 | Z173188 | CONED WASHER | 1 |
| 13 | NA | "ZYLINDERSTIFT RD. 8 X 40; DIN-7" | 3 |
| 14 | Z173178 | SPRING | 1 |
| 15 | Z173185-9005 | UPPER FOOTREST RH (90-65°) | 1 |

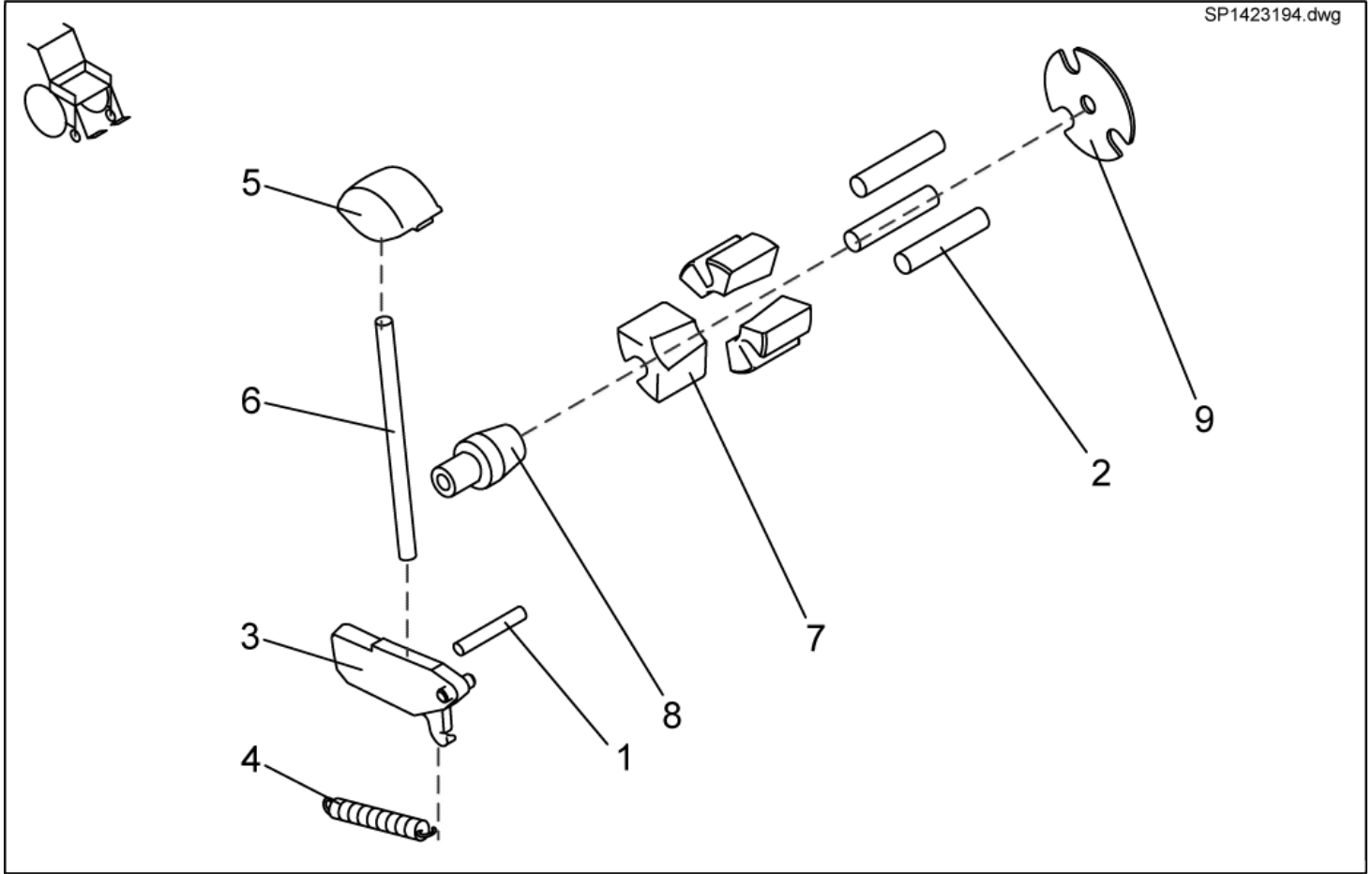
Legrests, sideways mounted - Upper Vari F, left

1449347.dwg



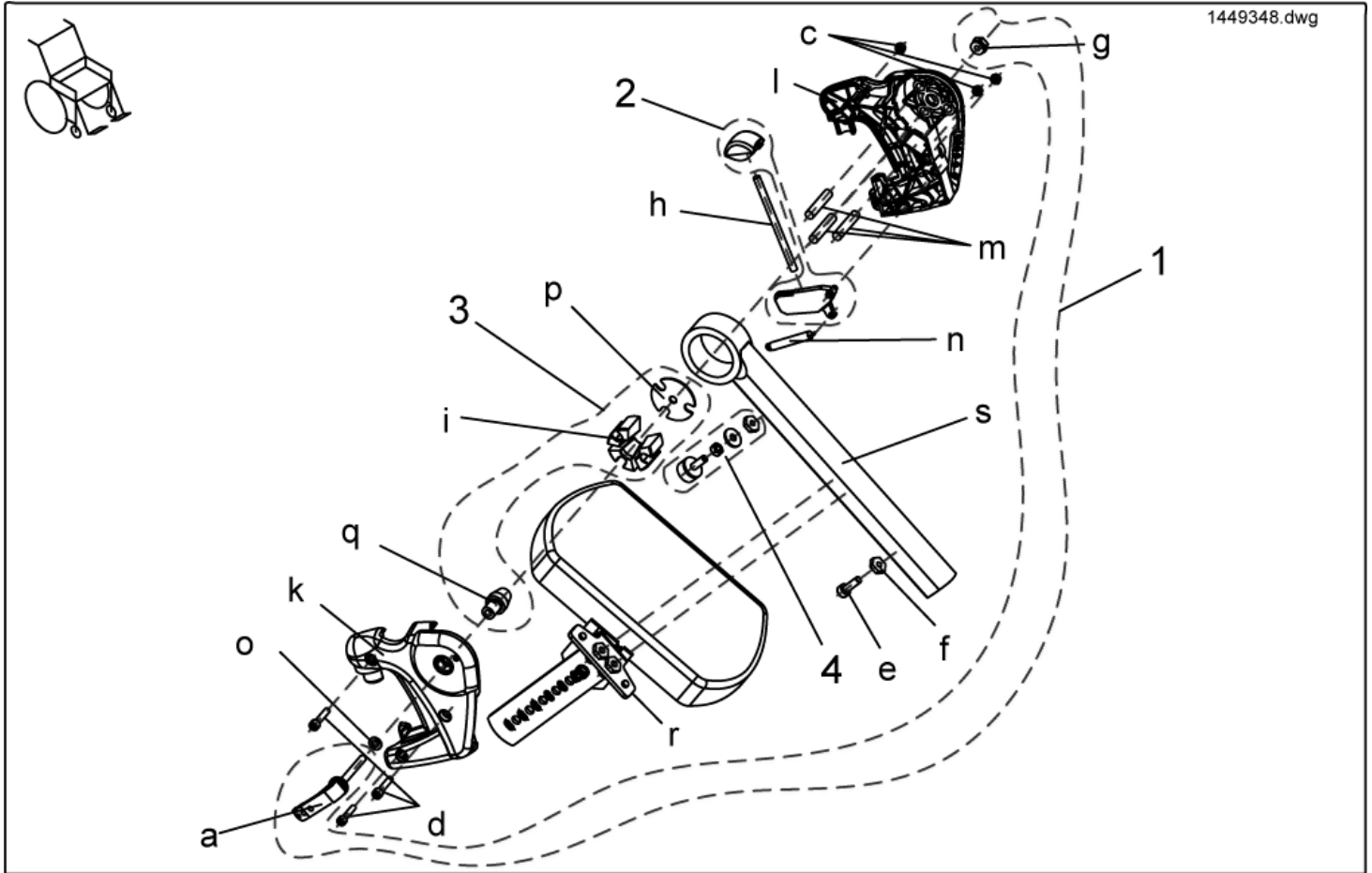
| item | ordercode | description | quantity |
|------|--------------|---------------------------------------|----------|
| - | SP1449347 | UPPER VARI F, LH COMPLETE | 1 |
| 1 | 1449154 | RUBBER STOP COMPLETE, VARI A / VARI F | 1 |
| 2 | NA | NYLOC NUT M5 | 3 |
| 3 | NA | NYLOC NUT M8 | 1 |
| 4 | NA | SOCKET HEAD CAP SCREW M5 X 25 | 3 |
| 5 | NA | SOCKET HEAD CAP SCREW M6 X 20 | 1 |
| 6 | NA | SOCKET HEAD CAP SCREW M8 X 40 | 1 |
| 7 | Z173189.99 | M6 NUT, WIDTH ACROSS FLAT 14 | 2 |
| 8 | NA | PUSH ROD | 1 |
| 9 | 1449167 | RELEASE BUTTON + LOCK LEVER | 1 |
| 10 | Z173181 | HANGER LH | 1 |
| 11 | Z173182 | HANGER RH | 1 |
| 12 | Z173188 | CONED WASHER | 2 |
| 13 | NA | "DOWEL RD. 8 X 40; DIN-7" | 3 |
| 14 | Z173178 | SPRING | 1 |
| 15 | Z173185-9005 | UPPER FOOTREST RH (90-65°) | 1 |

Legrests, sideways mounted - Release unit assembly kit f. legrest w. man. height adjustment



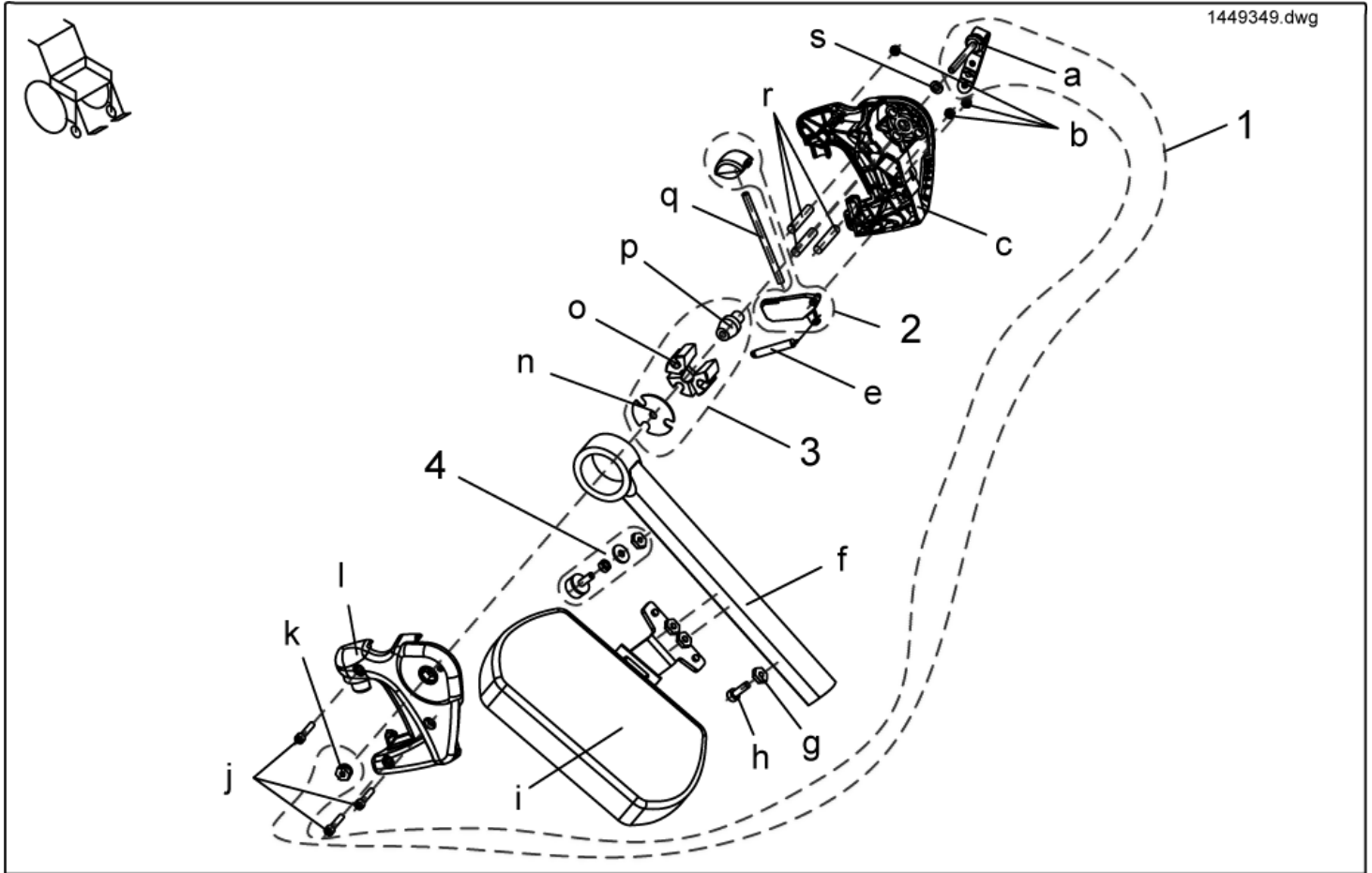
| item | ordercode | description | quantity |
|------|-----------|--|----------|
| 1-9 | SP1423194 | RELEASE UNIT ASSEMBLY KIT F. LEGREST W. MAN. HEIGHT ADJUSTMENT | 2 |
| 1 | NA | DOWEL RD. 5 X 32; DIN-7 | 1 |
| 2 | NA | DOWEL RD. 8 X 40; DIN-7 | 3 |
| 3 | NA | LOCK LEVER | 1 |
| 4 | NA | SPRING | 1 |
| 5 | NA | RELEASE KNOB | 1 |
| 6 | NA | PUSH ROD | 1 |
| 7 | NA | CLAMP BLOCK | 3 |
| 8 | NA | CONE | 1 |
| 9 | NA | LOCATING WASHER | 1 |

Legrests, sideways mounted - Upper Vari A complete, right



| item | ordercode | description | quantity |
|------|-----------|---|----------|
| - | SP1449348 | Upper Vari A complete, RH | 1 |
| 1 | 1450597 | Assembly kit, Vari A release handle | 1 |
| 2 | 1449167 | Assembly kit, release button + lock lever | 1 |
| 3 | 1450598 | Assembly kit, Vari A , clamping block | 1 |
| 4 | 1449154 | Assembly kit, rubber stop complete, Vari A/Vari F | 1 |
| a | NA | CLAMP LEVER M6 X 25 | 1 |
| c | NA | NYLOC NUT M5 | 3 |
| d | NA | SOCKET HEAD CAP SCREW M5 X 25 | 3 |
| e | NA | SOCKET HEAD CAP SCREW M6 X 20 | 1 |
| f | NA | NUT M6 SW-14 | 1 |
| g | NA | NUT M6 SW-13 | 1 |
| h | NA | PUSH ROD | 1 |
| i | NA | CLAMP BLOCK | 1 |
| k | NA | Hanger, RH | 1 |
| l | NA | Hanger, LH | 1 |
| m | NA | "DOWEL RD. 8 X 40; DIN-7" | 3 |
| n | NA | SPRING | 1 |
| o | NA | WASHER 6,4 X 12,5 X 1,6 | 1 |
| p | NA | LOCATING WASHER | 1 |
| q | NA | CONE | 1 |
| r | NA | Calf plate bracket RH, swivelling | 1 |
| s | NA | Upper footrest Vari A | 1 |

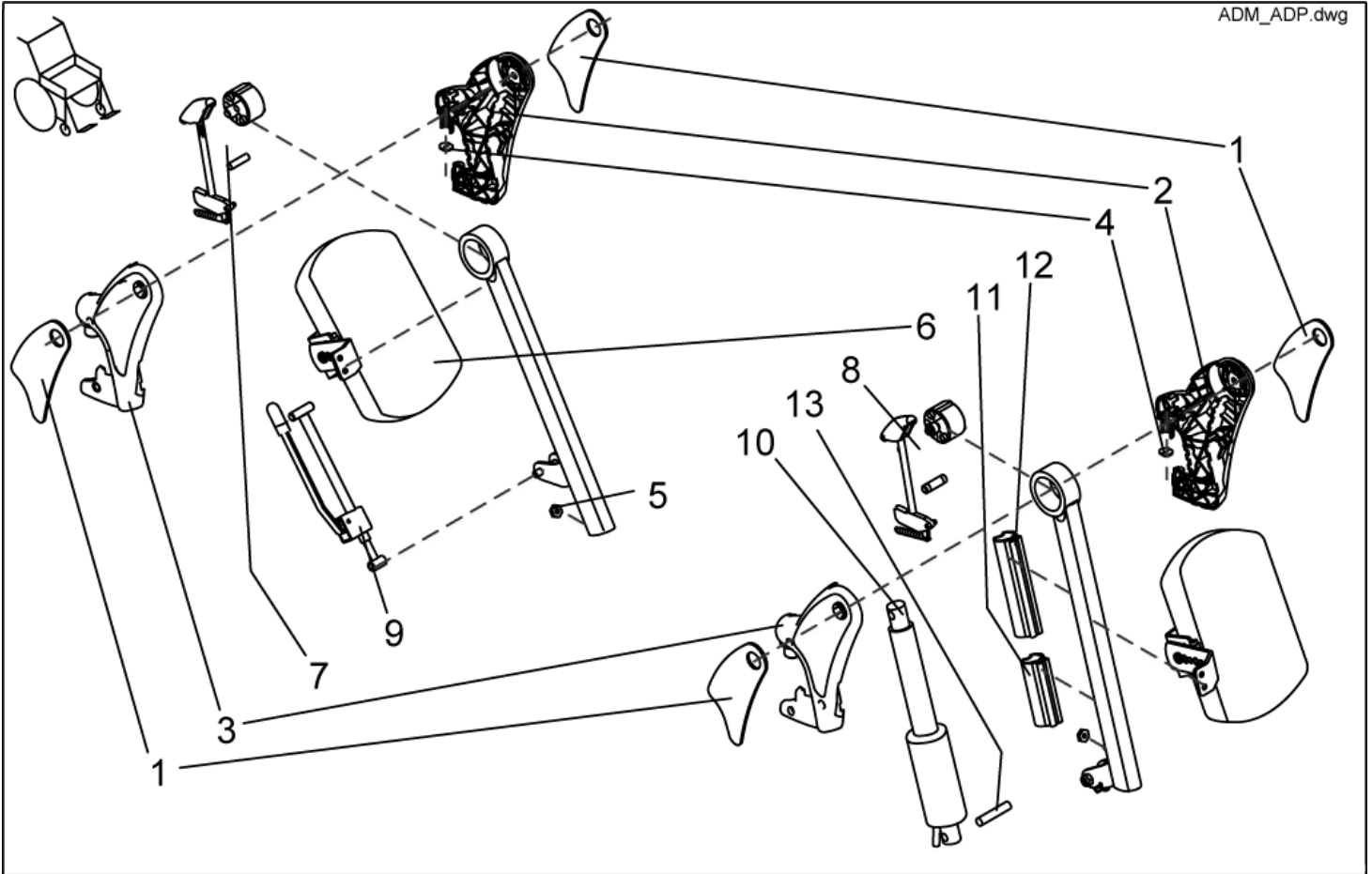
Legrests, sideways mounted - Upper Vari A complete, left



| item | ordercode | description | quantity |
|------|-----------|---|----------|
| - | SP1449349 | Upper Vari A complete, LH | 1 |
| 1 | 1450597 | Assembly kit, Vari A release handle | 1 |
| 2 | 1449167 | Assembly kit, release button + lock lever | 1 |
| 3 | 1450598 | Assembly kit, Vari A clamping block | 1 |
| 4 | 1449154 | Assembly kit, rubber stop complete, Vari A / Vari F | 1 |
| a | NA | CLAMPING LEVER M6 | 1 |
| b | NA | NYLOC NUT M5 | 3 |
| c | NA | HANGER LH | 1 |
| e | NA | SPRING | 1 |
| f | NA | UPPER FOOTREST RH, MANUAL HEIGHT ADJUSTMENT | 1 |
| g | NA | NUT M6 SW-14 | 2 |
| h | NA | SOCKET HEAD CAP SCREW M6 X 20 | 1 |
| i | NA | Calf plate bracket, LH, swivelling | 1 |
| j | NA | SOCKET HEAD CAP SCREW M5 X 25 | 3 |
| k | NA | NUT M6 SW-13 | 1 |
| l | NA | HANGER RH | 1 |
| n | NA | LOCATING WASHER | 1 |
| o | NA | CLAMP BLOCK | 3 |
| p | NA | CONE | 1 |
| q | NA | PUSH ROD | 1 |
| r | NA | "DOWEL RD. 8 X 40; DIN-7" | 1 |
| s | NA | WASHER 6,4 X 12,5 X 1,6 | 1 |

Legrests, sideways mounted - ADM + ADP Detailed

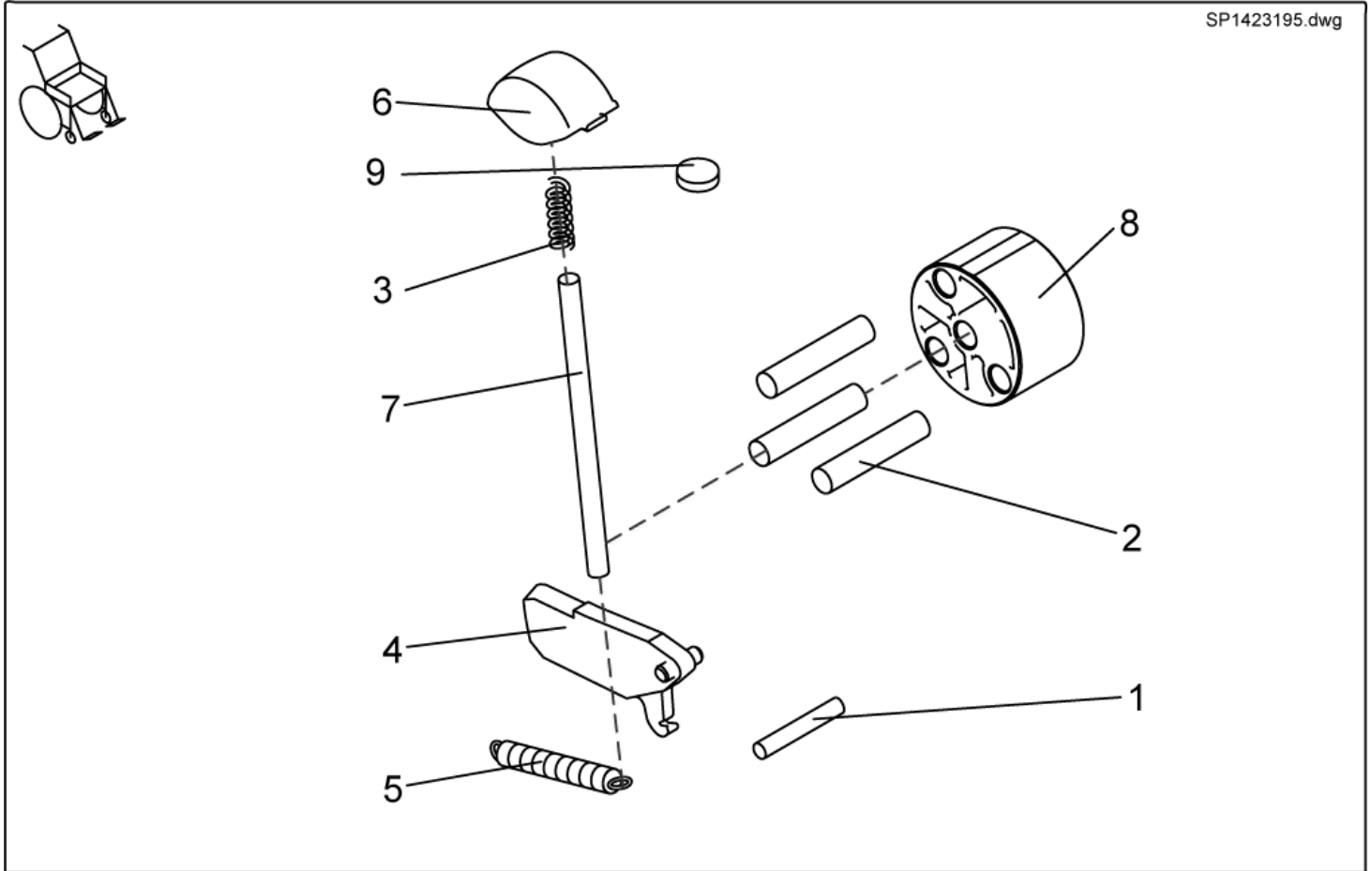
ADM_ADP.dwg



| item | ordercode | description | quantity |
|------|--------------|--|----------|
| 1 | 1435024 | KNEE PAD ADM (PAIR LH/RH) | 2 |
| 2 | Z174111 | HANGER (AD) LH | 1 |
| 3 | Z174110 | HANGER (AD) RH | 1 |
| 4 | Z174139 | ADP-PLATE | 2 |
| 5 | Z173189.99 | NUT M6 SW-14 | 6 |
| 6 | SPZ174164 | CALF SUPPORT ASSY (VARI AD) | 2 |
| 6 | 6301333 | CALF SUPPORT | 2 |
| 7 | SP1423195 | RELEASE UNIT ASSEMBLY KIT F. LEGREST 80° W. MAN. HEIGHT ADJUSTMENT | 2 |
| 8 | SP1423201 | RELEASE UNIT ASSEMBLY KIT F. LEGREST W. ELECTR. HEIGHT ADJUSTMENT | 2 |
| 9 | SPZ174130 | ADM ADJUSTMENT MECHANISM CPL. | 2 |
| 10 | SPZ151006 | ACTUATOR ASSY | 2 |
| 11 | Z174174 | LOWER GUARD | 2 |
| 12 | Z174175 | UPPER GUARD | 2 |
| 13 | 4000665-0002 | SPACER BUSH 10X1X22,5 | 2 |

Legrests, sideways mounted - Release unit assembly kit f. legrest 80° w. man. height adjustment

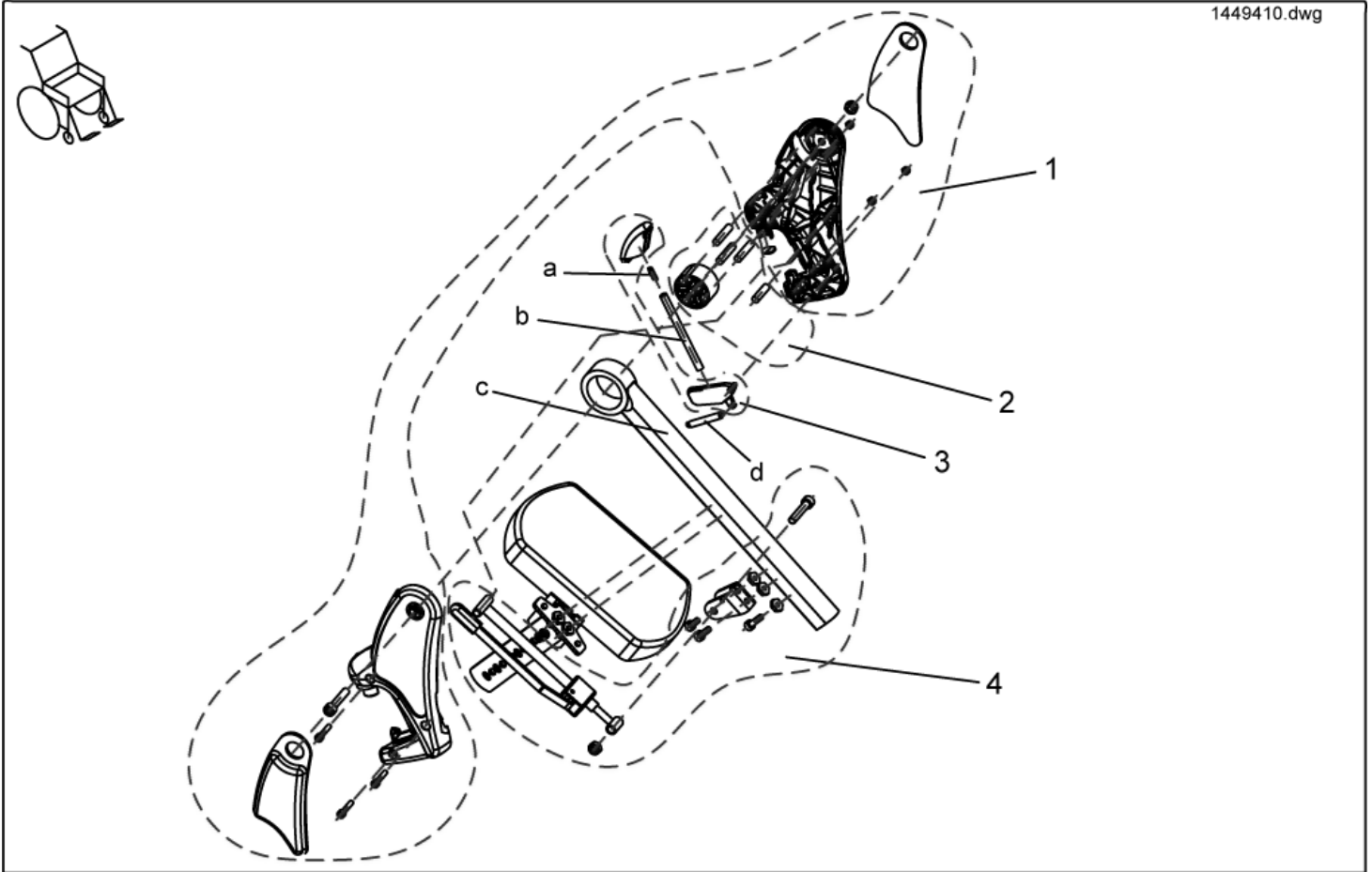
SP1423195.dwg



| item | ordercode | description | quantity |
|------|-----------|--|----------|
| 1-9 | SP1423195 | RELEASE UNIT ASSEMBLY KIT F. LEGREST 80° W. MAN. HEIGHT ADJUSTMENT | 2 |
| 1 | NA | DOWEL RD. 8 X 30, DIN-7 | 1 |
| 2 | NA | DOWEL RD. 8 X 36, DIN-7 | 3 |
| 3 | NA | COMPRESSION SPRING | 1 |
| 4 | NA | LOCK LEVER | 1 |
| 5 | NA | SPRING | 1 |
| 6 | NA | RELEASE LEVER (AD) | 1 |
| 7 | NA | PUSH ROD | 1 |
| 8 | NA | SLIDING BUSH | 1 |
| 9 | Z174139 | ADP-PLATE | 1 |

Legrests, sideways mounted - Complete upper ADM, right

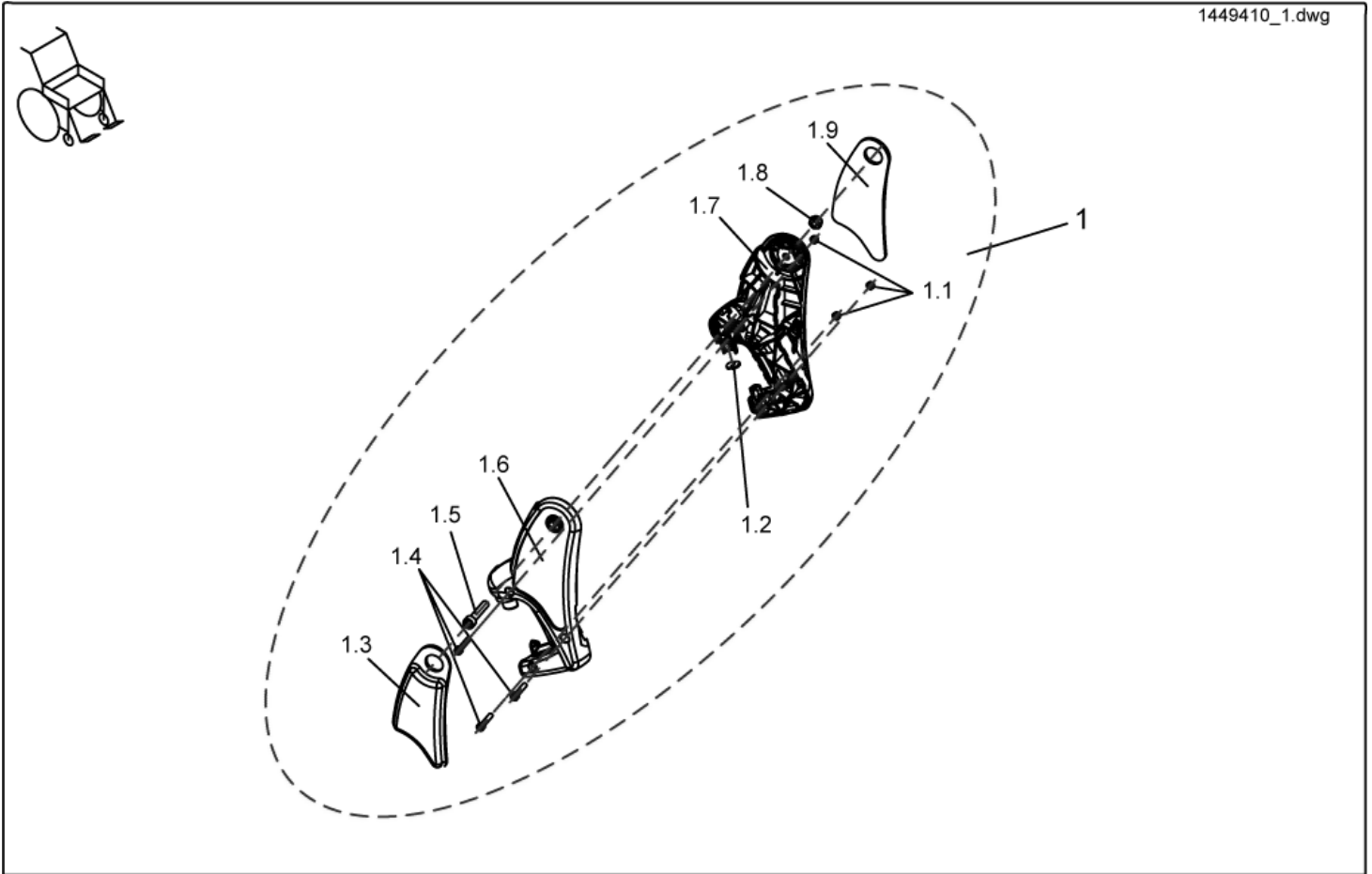
1449410.dwg



| item | ordercode | description | quantity |
|------|--------------|---|----------|
| - | SP1449410 | Complete upper ADM, RH | 1 |
| 1 | 1485604 | ">>>see details on "assembly kit, hangers" | 1 |
| 2 | 1485605 | ">>>see details on ""assembly kit, sliding bush" | 1 |
| 3 | 1449155 | ">>>see details on "trip lever + lock lever" | 1 |
| 4 | 1485606 | ">>>see details on "assembly kit, ADM adjustment" | 1 |
| a | NA | COMPRESSION SPRING | 1 |
| b | NA | PUSH ROD | 1 |
| c | Z173207-9005 | UPPER FOOTREST T RH 80°, MANUAL HEIGHT ADJUSTMENT | 1 |
| d | NA | SPRING | 1 |

Legrests, sideways mounted - Assembly kit, ADM hangers

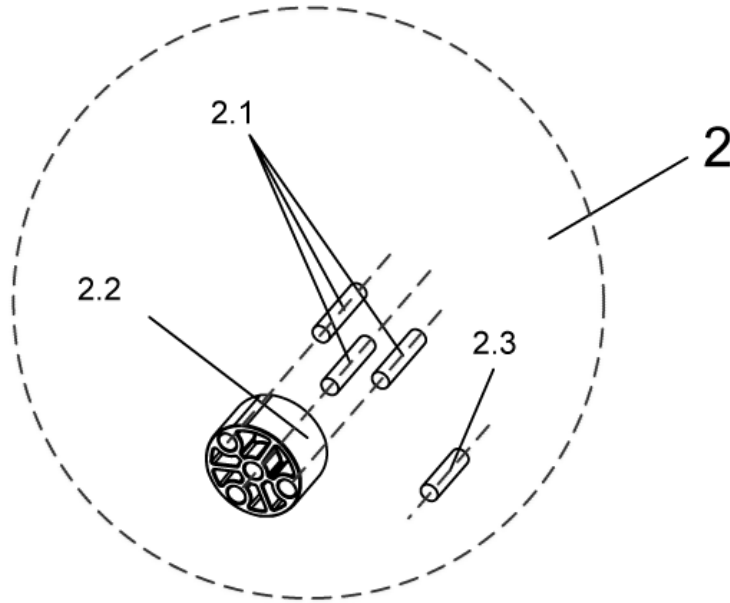
1449410_1.dwg



| item | ordercode | description | quantity |
|------|-----------|-------------------------------|----------|
| 1 | 1485604 | Assembly kit, ADM hangers | 1 |
| 1.1 | NA | NYLOC NUT M5 | 3 |
| 1.2 | NA | ADP-PLATE | 1 |
| 1.3 | 1450448 | Knee cushion, RH | 1 |
| 1.4 | NA | SOCKET HEAD CAP SCREW M5 X 25 | 3 |
| 1.5 | NA | SOCKET HEAD CAP SCREW M8 X 40 | 2 |
| 1.6 | NA | Hanger, RH | 1 |
| 1.7 | NA | Hanger, LH | 1 |
| 1.8 | NA | NYLOC NUT M8 | 2 |
| 1.9 | 1450410 | Knee cushion, LH | 1 |

Legrests, sideways mounted - Assembly kit, ADM sliding bush

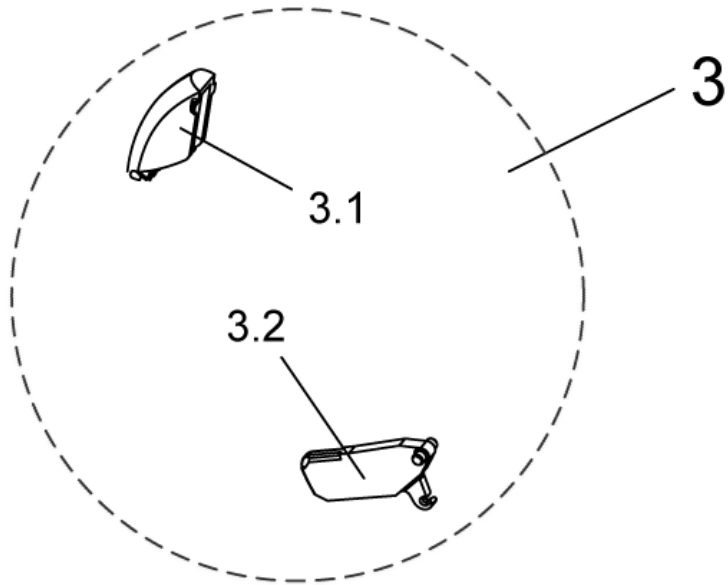
1449410_2.dwg



| item | ordercode | description | quantity |
|------|-----------|--------------------------------|----------|
| 2 | 1485605 | Assembly kit, ADM sliding bush | 1 |
| 2.1 | NA | DOWEL RD. 8 X 36, DIN-7 | 3 |
| 2.2 | NA | SLIDING BUSH | 1 |
| 2.3 | NA | DOWEL RD. 8 X 30, DIN-7 | 1 |

Legrests, sideways mounted - Assembly kit, Trip lever + lock lever

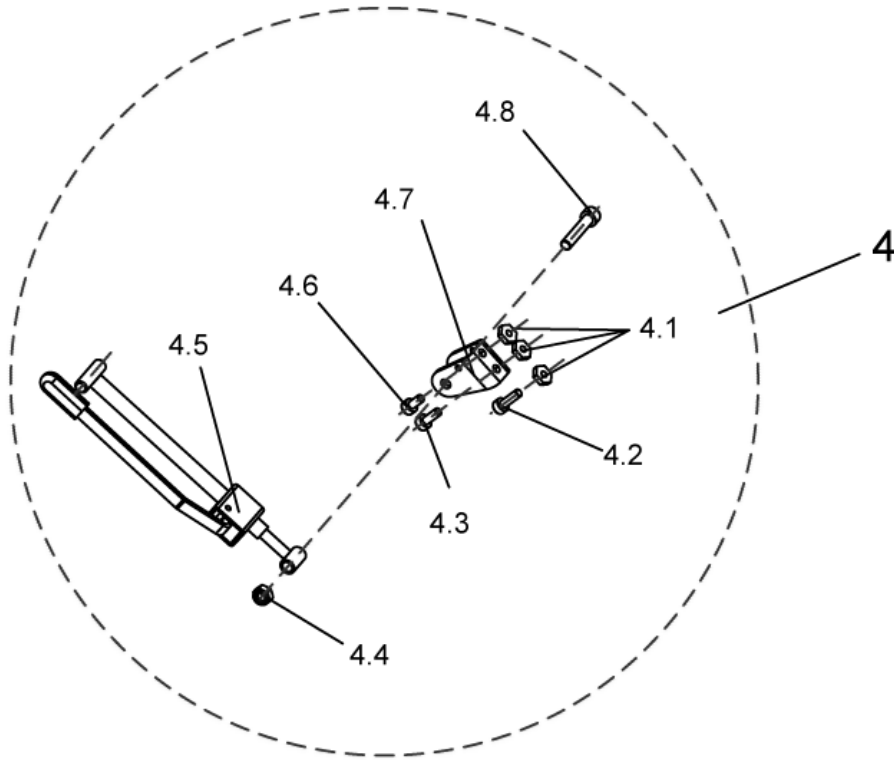
1449410_3.dwg



| item | ordercode | description | quantity |
|------|-----------|-------------------------|----------|
| 3 | 1449155 | Trip lever + lock lever | 1 |
| 3.1 | NA | Trip lever | 1 |
| 3.2 | NA | Lock lever | 1 |

Legrests, sideways mounted - Assembly kit, ADM adjustment

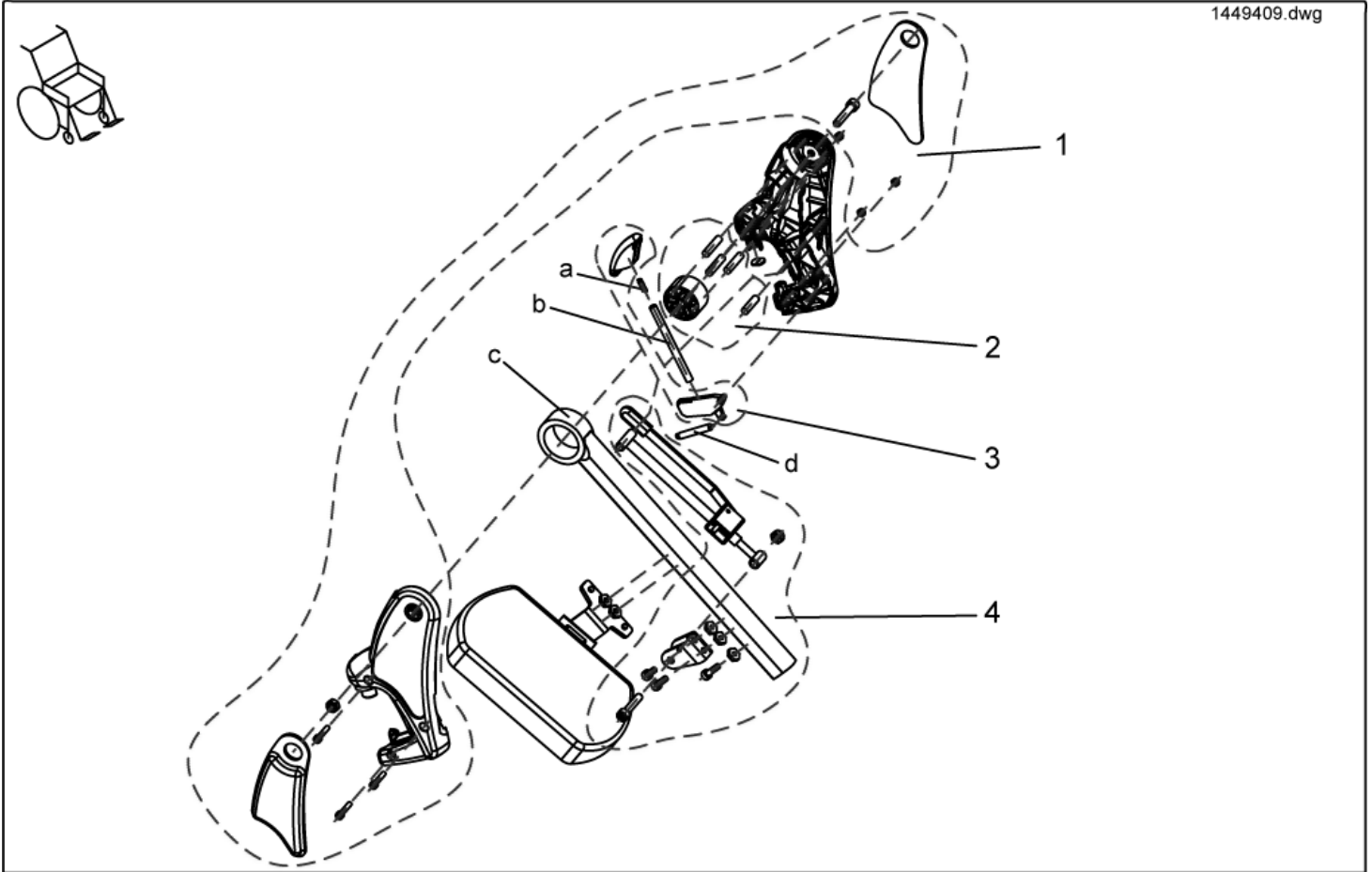
1449410_4.dwg



| item | ordercode | description | quantity |
|------|-----------|-------------------------------|----------|
| 4 | 1485606 | Assembly kit, ADM adjustment | 1 |
| 4.1 | NA | NUT M6 SW-14 | 3 |
| 4.2 | NA | SOCKET HEAD CAP SCREW M6 X 20 | 1 |
| 4.3 | NA | SOCKET HEAD CAP SCREW M6 X 16 | 1 |
| 4.4 | NA | NYLOC NUT M8 | 2 |
| 4.5 | NA | ADM ADJUSTMENT MECHANISM CPL. | 1 |
| 4.6 | NA | SOCKET HEAD CAP SCREW M6 X 12 | 1 |
| 4.7 | NA | ACTUATOR MOUNT | 1 |
| 4.8 | NA | SOCKET HEAD CAP SCREW M8 X 40 | 2 |

Legrests, sideways mounted - Complete upper ADM, left

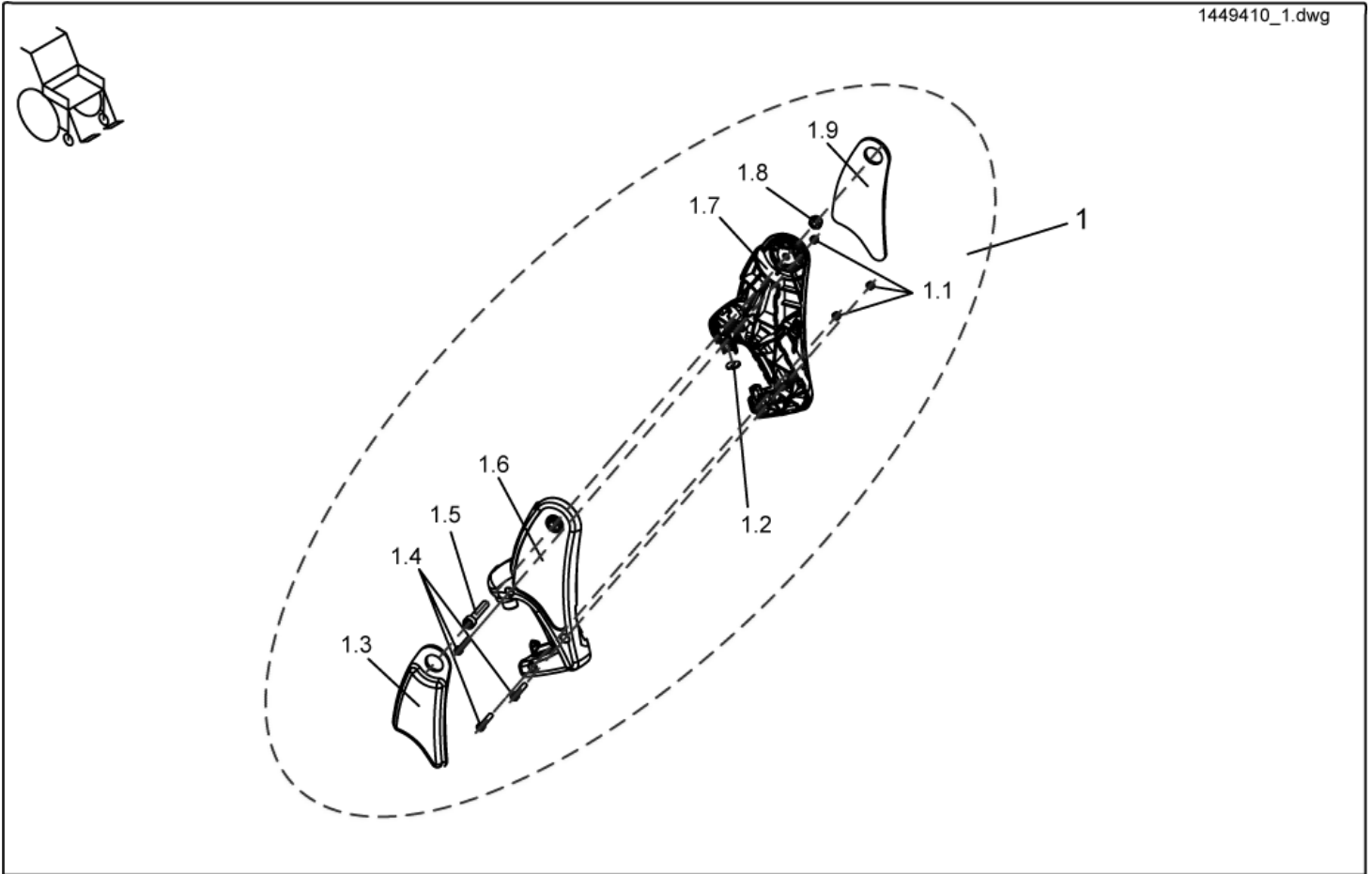
1449409.dwg



| item | ordercode | description | quantity |
|------|--------------|---|----------|
| - | SP1449409 | Complete upper ADM, LH | 1 |
| 1 | 1485604 | ">>>see details on ""assembly kit, hangers"" " | 1 |
| 2 | 1485605 | ">>>see details on ""assembly kit, sliding bush"" " | 1 |
| 3 | 1449155 | ">>>see details on trip lever + lock lever """" | 1 |
| 4 | 1485606 | ">>>see details on ""assembly kit, ADM adjustment"""" | 1 |
| a | N12196 | COMPRESSION SPRING | 1 |
| b | Z174113.99 | BARRE DE FERMETURE | 1 |
| c | Z173207-9005 | UPPER FOOTREST T RH 80°, MANUAL HEIGHT ADJUSTMENT | 1 |
| d | Z173178 | SPRING | 1 |

Legrests, sideways mounted - Assembly kit, ADM hangers

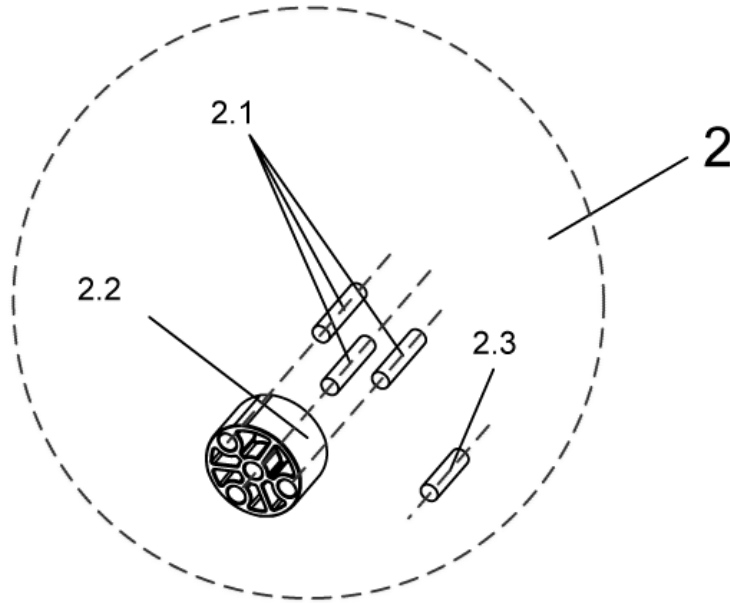
1449410_1.dwg



| item | ordercode | description | quantity |
|------|-----------|-------------------------------|----------|
| 1 | 1485604 | Assembly kit, ADM hangers | 1 |
| 1.1 | NA | NYLOC NUT M5 | 3 |
| 1.2 | NA | ADP-PLATE | 1 |
| 1.3 | 1450448 | Knee cushion, RH | 1 |
| 1.4 | NA | SOCKET HEAD CAP SCREW M5 X 25 | 3 |
| 1.5 | NA | SOCKET HEAD CAP SCREW M8 X 40 | 2 |
| 1.6 | NA | Hanger, RH | 1 |
| 1.7 | NA | Hanger, LH | 1 |
| 1.8 | NA | NYLOC NUT M8 | 2 |
| 1.9 | 1450410 | Knee cushion, LH | 1 |

Legrests, sideways mounted - Assembly kit, ADM sliding bush

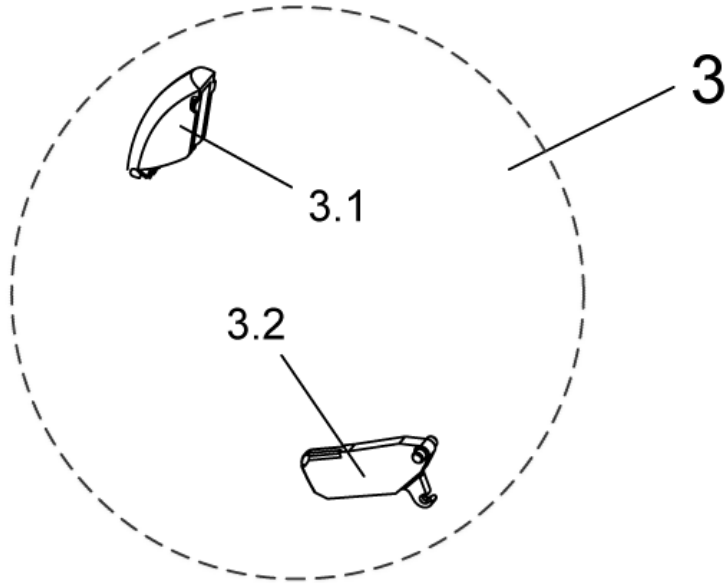
1449410_2.dwg



| item | ordercode | description | quantity |
|------|-----------|--------------------------------|----------|
| 2 | 1485605 | Assembly kit, ADM sliding bush | 1 |
| 2.1 | NA | DOWEL RD. 8 X 36, DIN-7 | 3 |
| 2.2 | NA | SLIDING BUSH | 1 |
| 2.3 | NA | DOWEL RD. 8 X 30, DIN-7 | 1 |

Legrests, sideways mounted - Assembly kit, Trip lever + lock lever

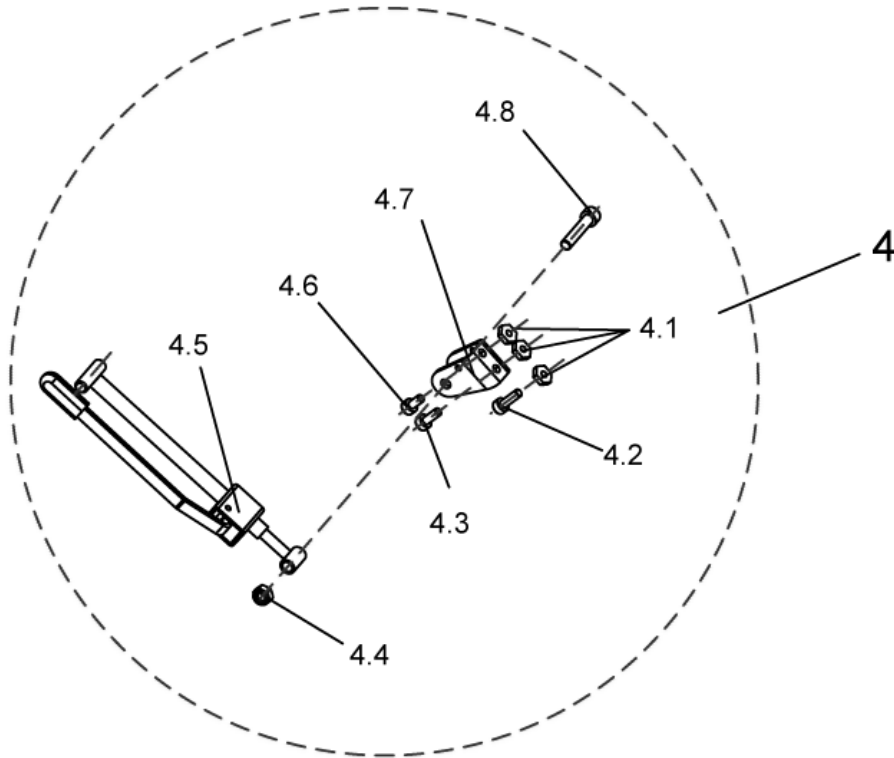
1449410_3.dwg



| item | ordercode | description | quantity |
|------|-----------|-------------------------|----------|
| 3 | 1449155 | Trip lever + lock lever | 1 |
| 3.1 | NA | Trip lever | 1 |
| 3.2 | NA | Lock lever | 1 |

Legrests, sideways mounted - Assembly kit, ADM adjustment

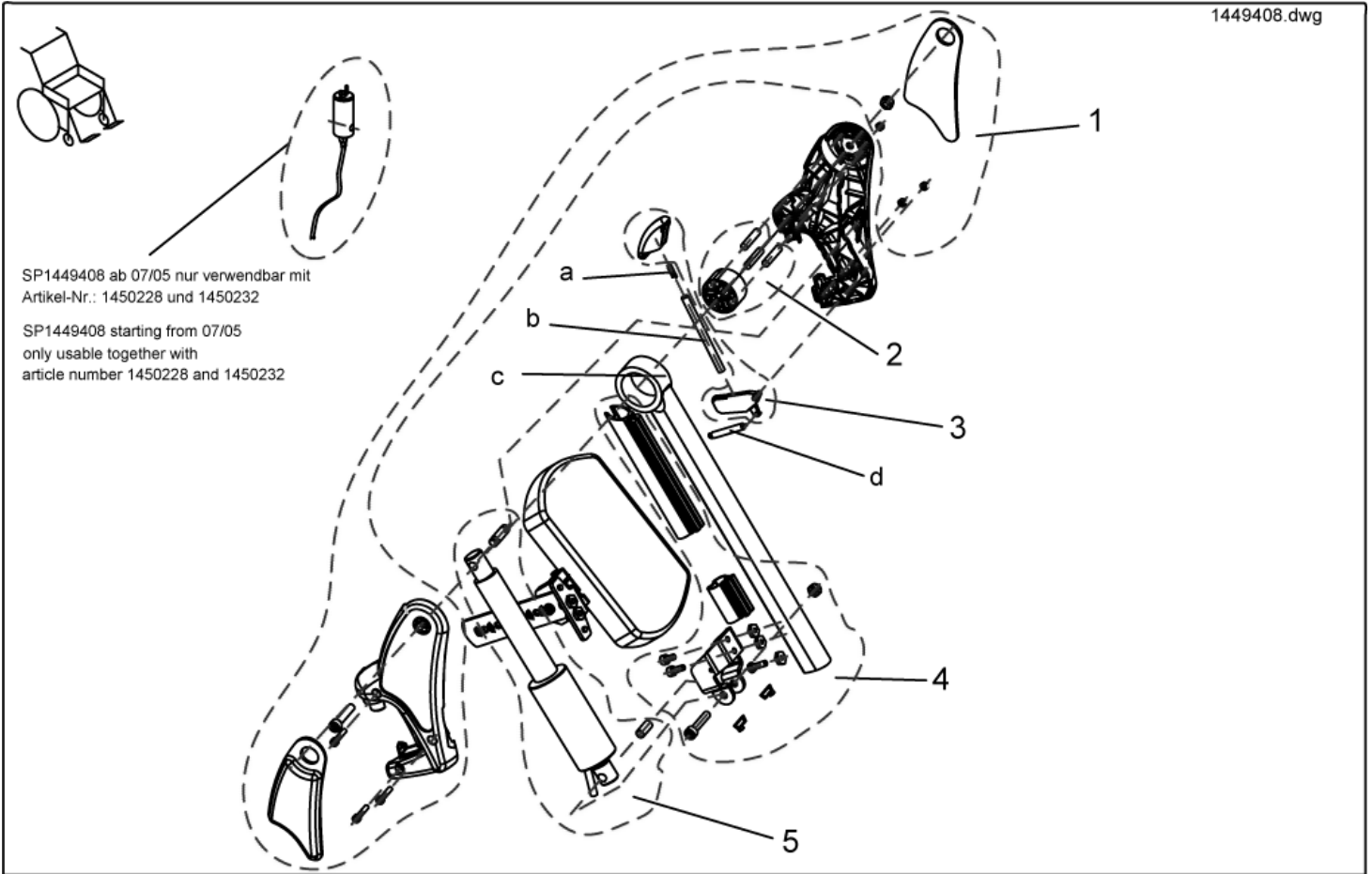
1449410_4.dwg



| item | ordercode | description | quantity |
|------|-----------|-------------------------------|----------|
| 4 | 1485606 | Assembly kit, ADM adjustment | 1 |
| 4.1 | NA | NUT M6 SW-14 | |
| 4.2 | NA | SOCKET HEAD CAP SCREW M6 X 20 | 1 |
| 4.3 | NA | SOCKET HEAD CAP SCREW M6 X 16 | 1 |
| 4.4 | NA | NYLOC NUT M8 | 2 |
| 4.5 | NA | ADM ADJUSTMENT MECHANISM CPL. | |
| 4.6 | NA | SOCKET HEAD CAP SCREW M6 X 12 | |
| 4.7 | NA | ACTUATOR MOUNT | |
| 4.8 | NA | SOCKET HEAD CAP SCREW M8 X 40 | 2 |

Legrests, sideways mounted - Upper ADP, right

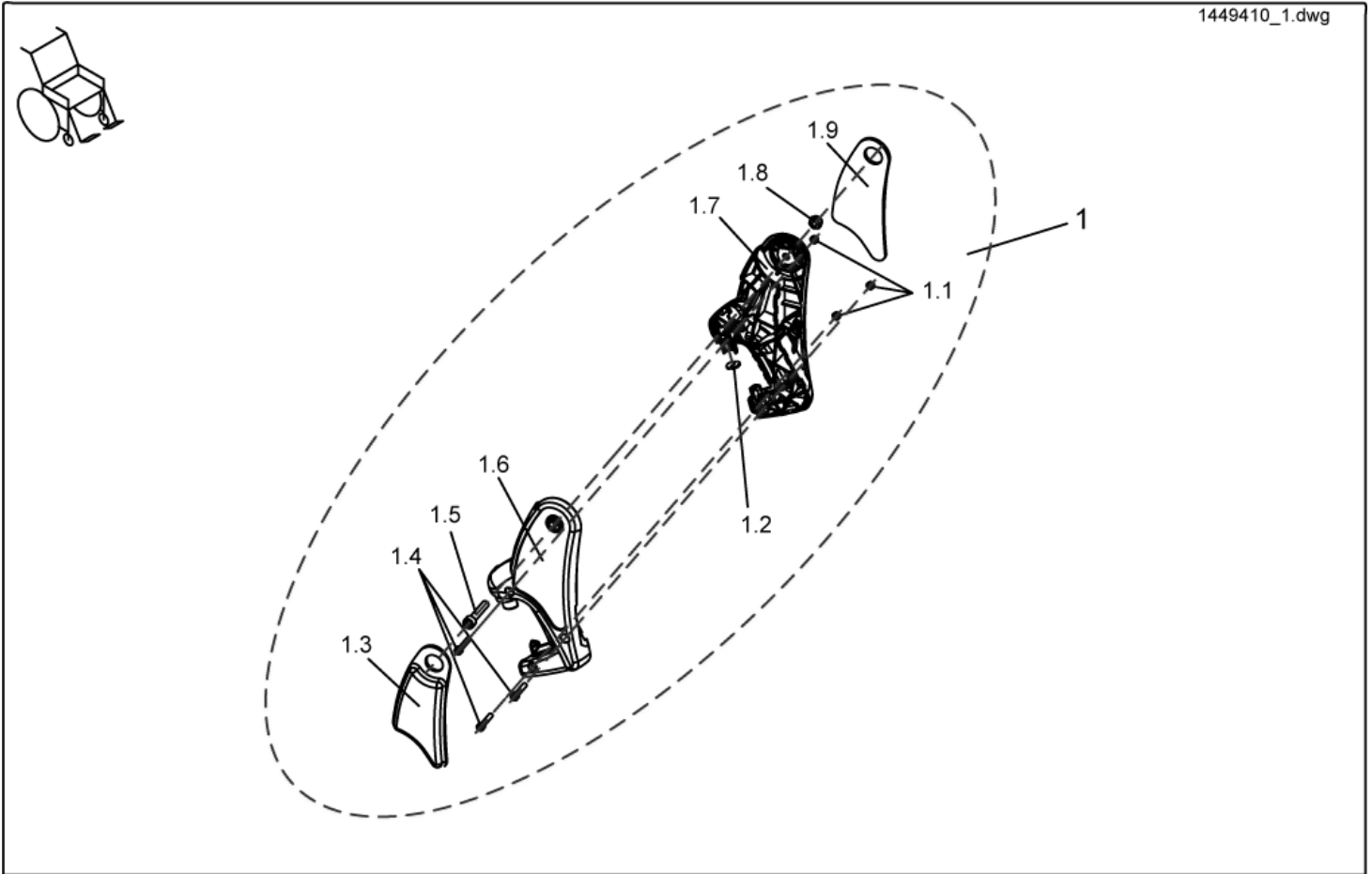
1449408.dwg



| item | ordercode | description | quantity |
|------|--------------|--|----------|
| - | SP1449408 | Upper ADP, RH | 1 |
| 1 | 1450604 | ">>see details on "assembly kit, hangers" | 1 |
| 2 | 1450605 | ">>see details on "assembly kit ADP, sliding bush" | 1 |
| 3 | 1449167 | ">>>see details on "assembly kit ADP, release button + lock lever" | 1 |
| 4 | 1450607 | ">>>see details on "assembly kit ADP, actuator bracket" | 1 |
| 5 | 1450606 | ">>>see details on "assembly kit ADP, hoist motor" | 1 |
| a | N12196 | COMPRESSION SPRING | 1 |
| b | Z174113.99 | PUSH ROD | 1 |
| c | Z173205-9005 | UPPER FOOTREST, ADP | 1 |
| d | Z173178 | SPRING | 1 |

Legrests, sideways mounted - Assembly kit, ADM hangers

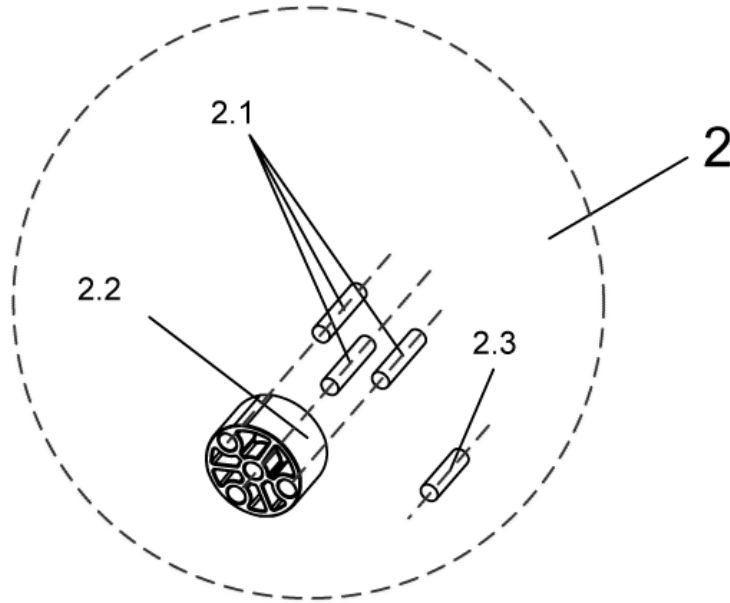
1449410_1.dwg



| item | ordercode | description | quantity |
|------|-----------|-------------------------------|----------|
| 1 | 1485604 | Assembly kit, ADM hangers | 1 |
| 1.1 | NA | NYLOC NUT M5 | 3 |
| 1.2 | NA | ADP-PLATE | 1 |
| 1.3 | 1450448 | Knee cushion, RH | 1 |
| 1.4 | NA | SOCKET HEAD CAP SCREW M5 X 25 | 3 |
| 1.5 | NA | SOCKET HEAD CAP SCREW M8 X 40 | 2 |
| 1.6 | NA | Hanger, RH | 1 |
| 1.7 | NA | Hanger, LH | 1 |
| 1.8 | NA | NYLOC NUT M8 | 2 |
| 1.9 | 1450410 | Knee cushion, LH | 1 |

Legrests, sideways mounted - Assembly kit, ADM sliding bush

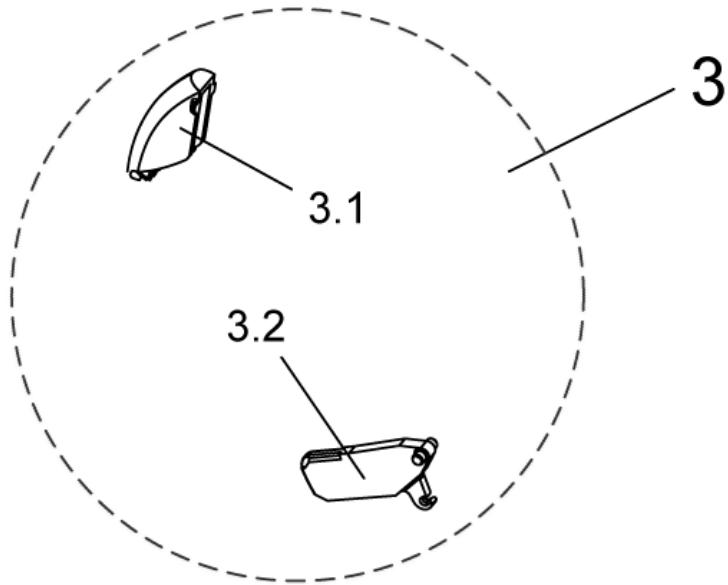
1449410_2.dwg



| item | ordercode | description | quantity |
|------|-----------|--------------------------------|----------|
| 2 | 1485605 | Assembly kit, ADM sliding bush | 1 |
| 2.1 | NA | DOWEL RD. 8 X 36, DIN-7 | 3 |
| 2.2 | NA | SLIDING BUSH | 1 |
| 2.3 | NA | DOWEL RD. 8 X 30, DIN-7 | 1 |

Legrests, sideways mounted - Assembly kit, Trip lever + lock lever

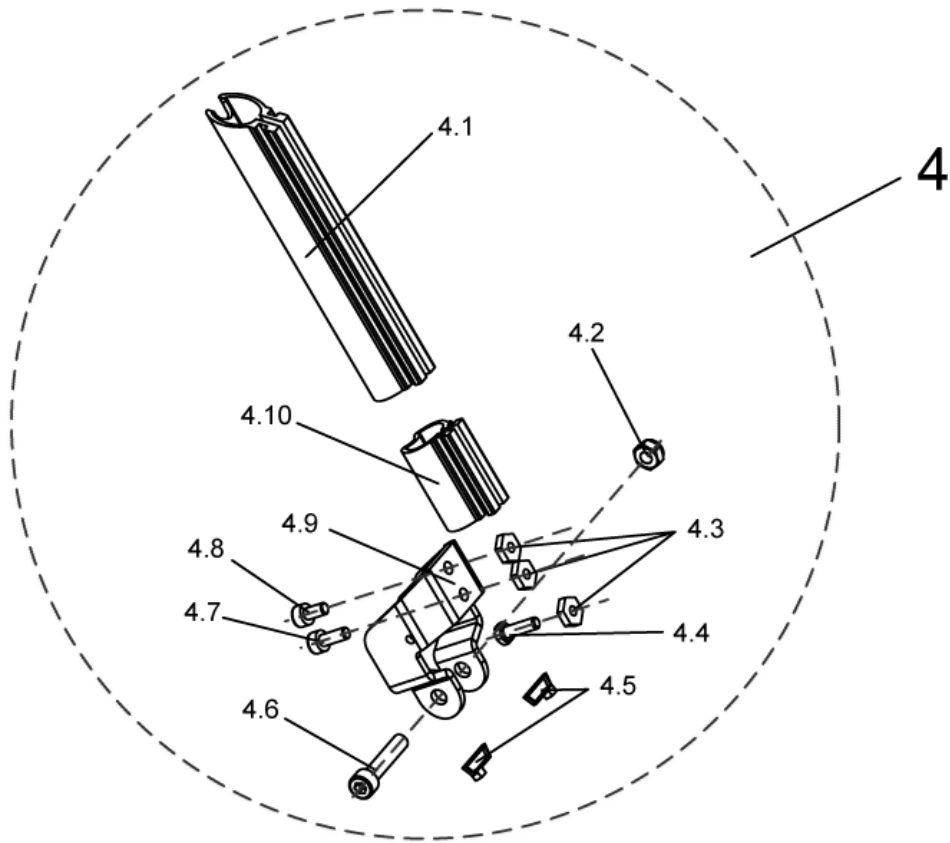
1449410_3.dwg



| item | ordercode | description | quantity |
|------|-----------|-------------------------|----------|
| 3 | 1449167 | Trip lever + lock lever | 1 |
| 3.1 | NA | Trip lever | 1 |
| 3.2 | NA | Lock lever | 1 |

Legrests, sideways mounted - Assembly kit ADP, actuator bracket

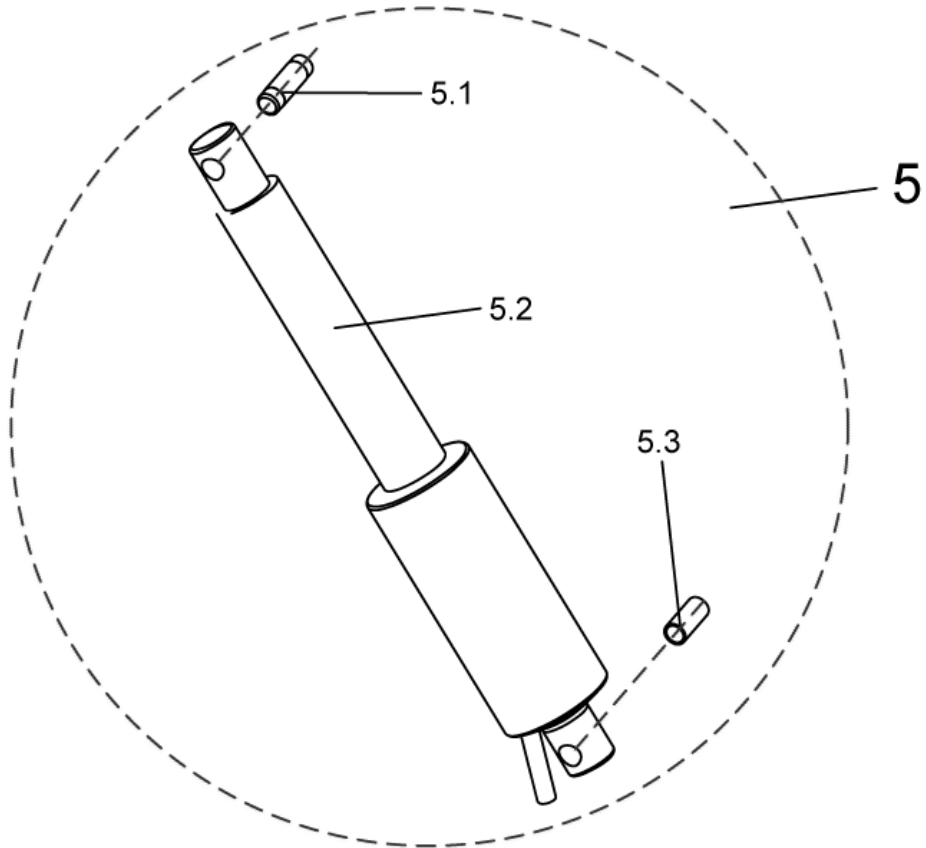
1449408_1.dwg



| item | ordercode | description | quantity |
|------|-----------|------------------------------------|----------|
| 4 | 1450607 | Assembly kit ADP, actuator bracket | 1 |
| 4.1 | NA | UPPER GUARD | 1 |
| 4.2 | NA | NYLOC NUT M8 | 2 |
| 4.3 | NA | NUT M6 SW-14 | 3 |
| 4.4 | NA | HEX HEAD SCREW M6 X 20 | 1 |
| 4.5 | NA | CABLE STRAP L=99 MM (SHORT), BLACK | 1 |
| 4.6 | NA | SOCKET HEAD CAP SCREW M8 X 40 | 2 |
| 4.7 | NA | SOCKET HEAD CAP SCREW M6 X 16 | 1 |
| 4.8 | NA | SOCKET HEAD CAP SCREW M6 X 12 | 1 |
| 4.9 | NA | Actuator holding plate | 1 |
| 4.10 | NA | LOWER GUARD | 1 |

Legrests, sideways mounted - Assembly kit ADP, hoist motor

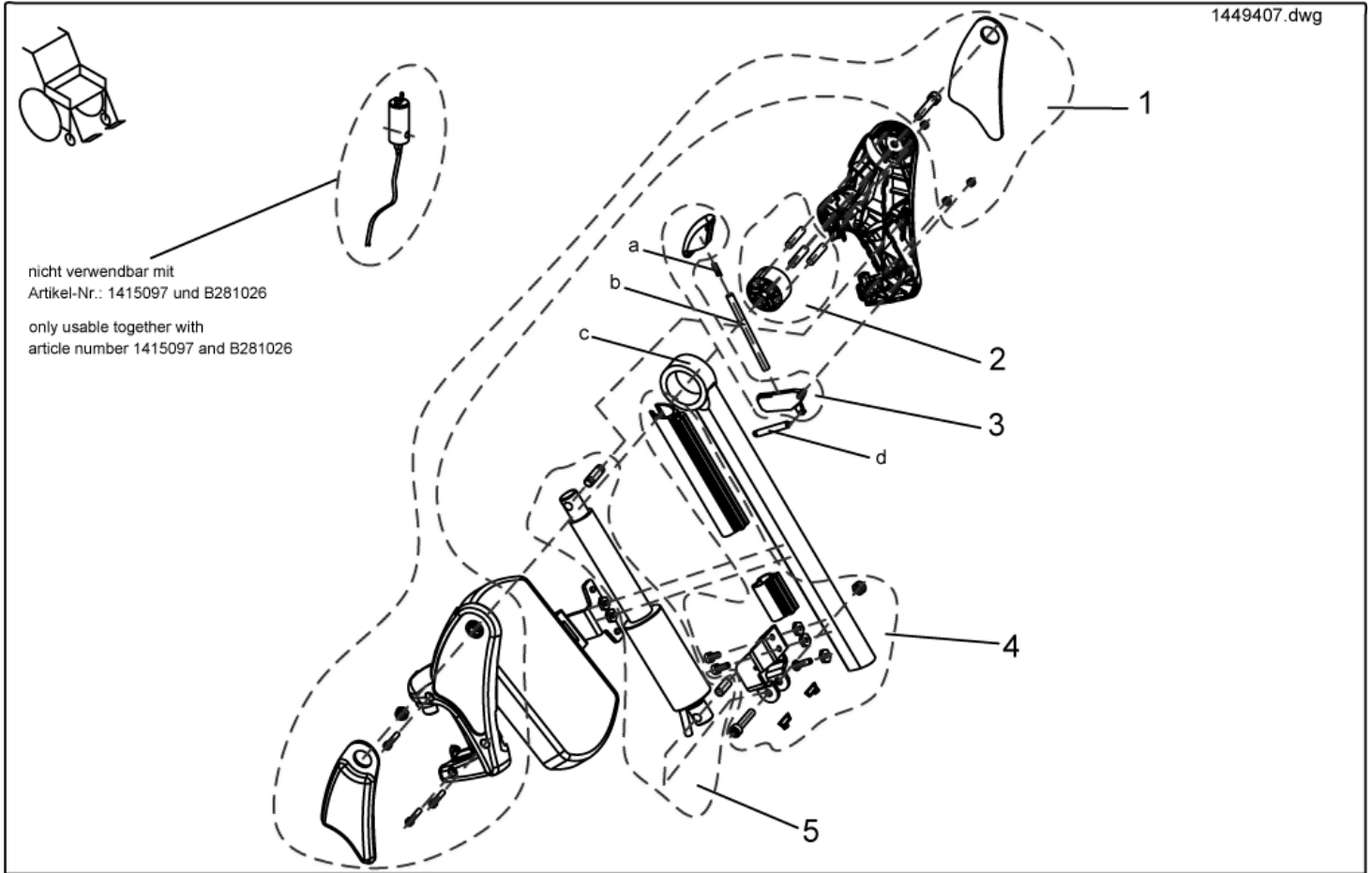
1449408_2.dwg



| item | ordercode | description | quantity |
|------|--------------|-------------------------------|----------|
| 5 | 1450606 | Assembly kit ADP, hoist motor | 1 |
| 5.1 | Z174137.99 | PIVOT BUSH | 1 |
| 5.2 | Z151006 | ACTUATOR ASSY | 1 |
| 5.3 | 4000665-0002 | SPACER BUSH 10X1X22,5 | 1 |

Legrests, sideways mounted - Upper ADP, left

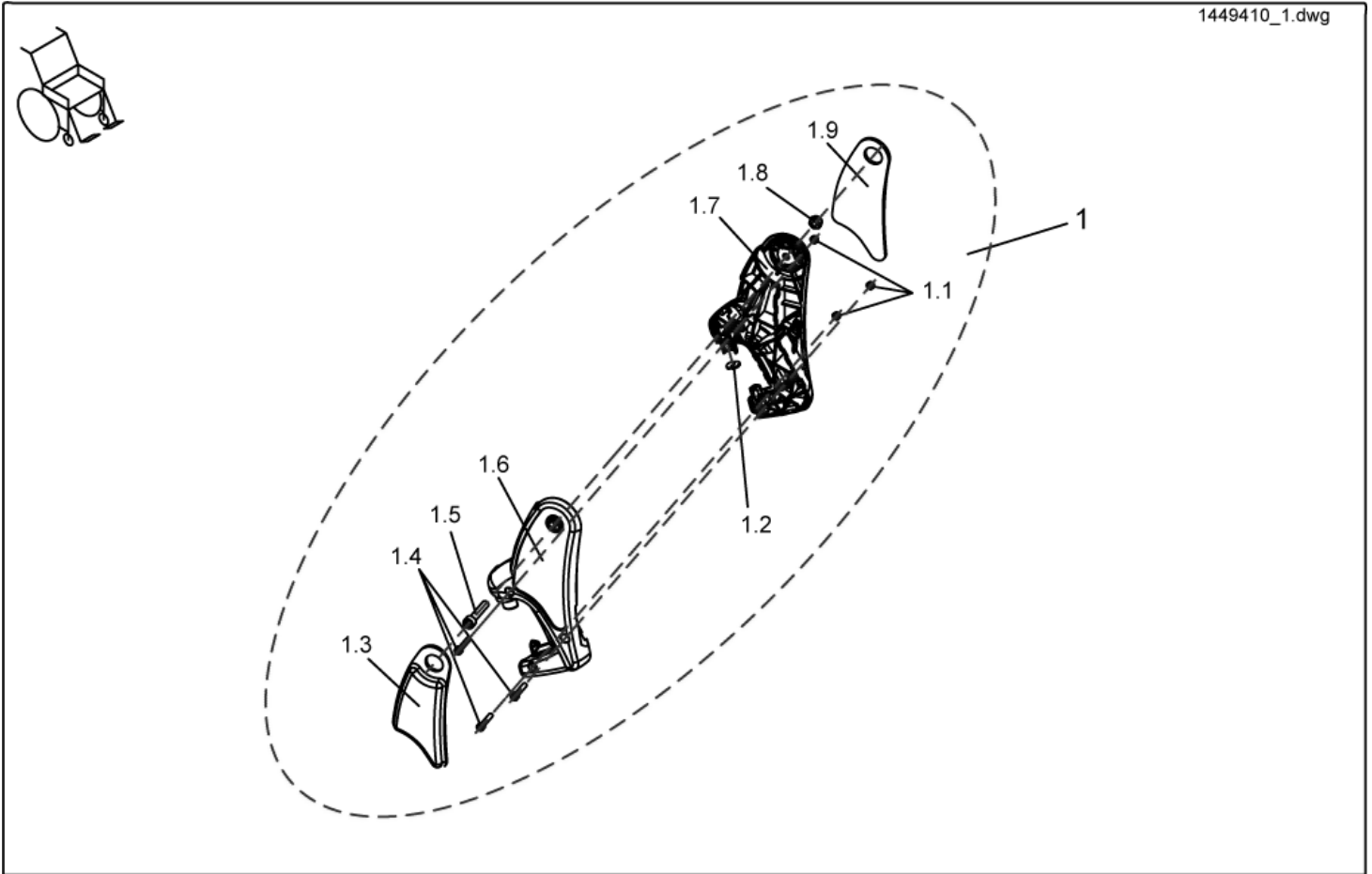
1449407.dwg



| item | ordercode | description | quantity |
|------|-----------|--|----------|
| - | SP1449407 | Upper ADP LH | 1 |
| 1 | 1450604 | ">>>see details on "assembly kit, hangers" | 1 |
| 2 | 1450605 | ">>>see details on "assembly kit ADP, sliding bush" | 1 |
| 3 | 1449167 | ">>>see details on "assembly kit ADP, trip lever + lock lever" | 1 |
| 4 | 1450607 | ">>>see details on "assembly kit ADP, actuator bracket" | 1 |
| 5 | 1450606 | ">>>see details on "assembly kit ADP, hoist motor" | 1 |
| a | 1450410 | Knee cushion, LH | 1 |
| b | NA | PUSH ROD | 1 |
| c | NA | UPPER FOOTREST, ADP | 1 |
| d | NA | TENSION SPRING | 1 |

Legrests, sideways mounted - Assembly kit, ADM hangers

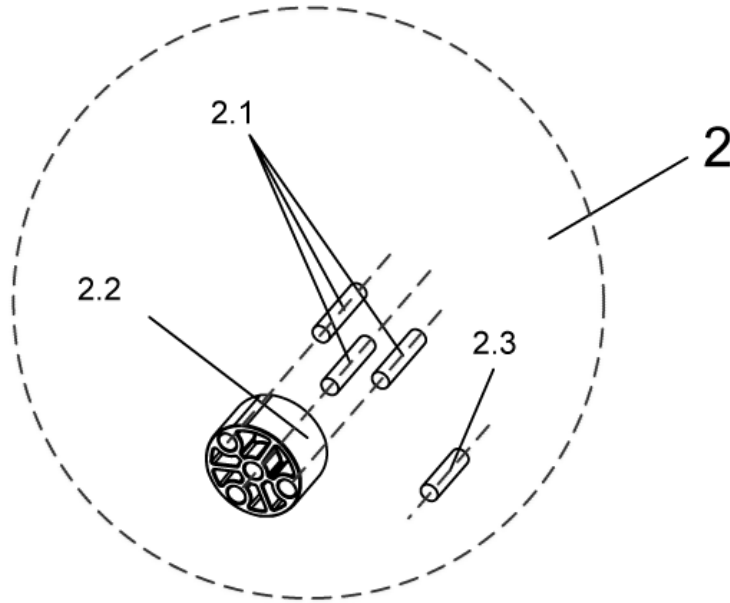
1449410_1.dwg



| item | ordercode | description | quantity |
|------|-----------|-------------------------------|----------|
| 1 | 1485604 | Assembly kit, ADM hangers | 1 |
| 1.1 | NA | NYLOC NUT M5 | 3 |
| 1.2 | NA | ADP-PLATE | 1 |
| 1.3 | 1450448 | Knee cushion, RH | 1 |
| 1.4 | NA | SOCKET HEAD CAP SCREW M5 X 25 | 3 |
| 1.5 | NA | SOCKET HEAD CAP SCREW M8 X 40 | 2 |
| 1.6 | NA | Hanger, RH | 1 |
| 1.7 | NA | Hanger, LH | 1 |
| 1.8 | NA | NYLOC NUT M8 | 2 |
| 1.9 | 1450410 | Knee cushion, LH | 1 |

Legrests, sideways mounted - Assembly kit, ADM sliding bush

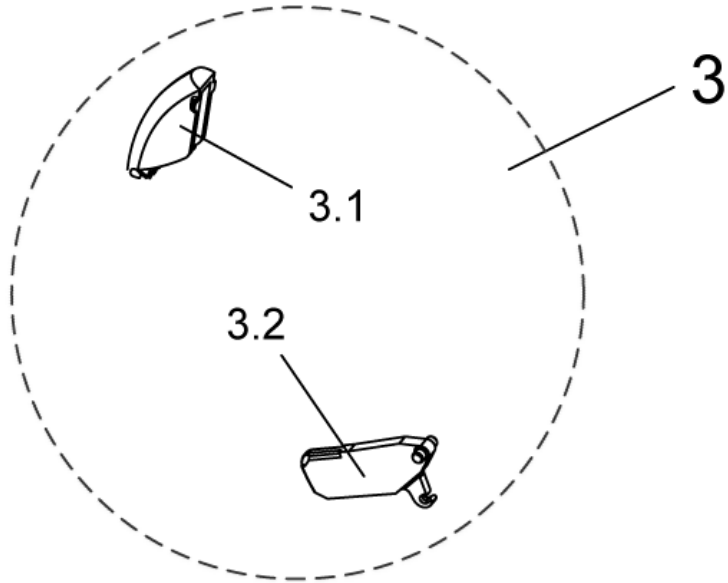
1449410_2.dwg



| item | ordercode | description | quantity |
|------|-----------|--------------------------------|----------|
| 2 | 1485605 | Assembly kit, ADM sliding bush | 1 |
| 2.1 | NA | DOWEL RD. 8 X 36, DIN-7 | 3 |
| 2.2 | NA | SLIDING BUSH | 1 |
| 2.3 | NA | DOWEL RD. 8 X 30, DIN-7 | 1 |

Legrests, sideways mounted - Assembly kit, Trip lever + lock lever

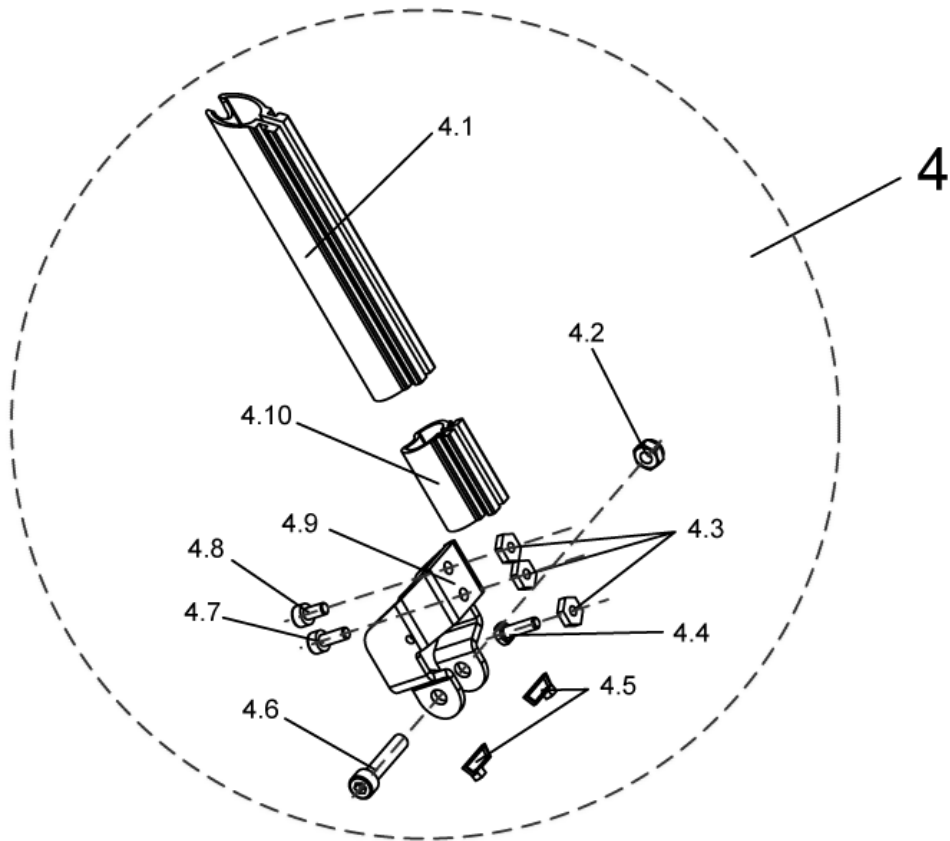
1449410_3.dwg



| item | ordercode | description | quantity |
|------|-----------|-------------------------|----------|
| 3 | 1449167 | Trip lever + lock lever | 1 |
| 3.1 | NA | Trip lever | 1 |
| 3.2 | NA | Lock lever | 1 |

Legrests, sideways mounted - Assembly kit ADP, actuator bracket

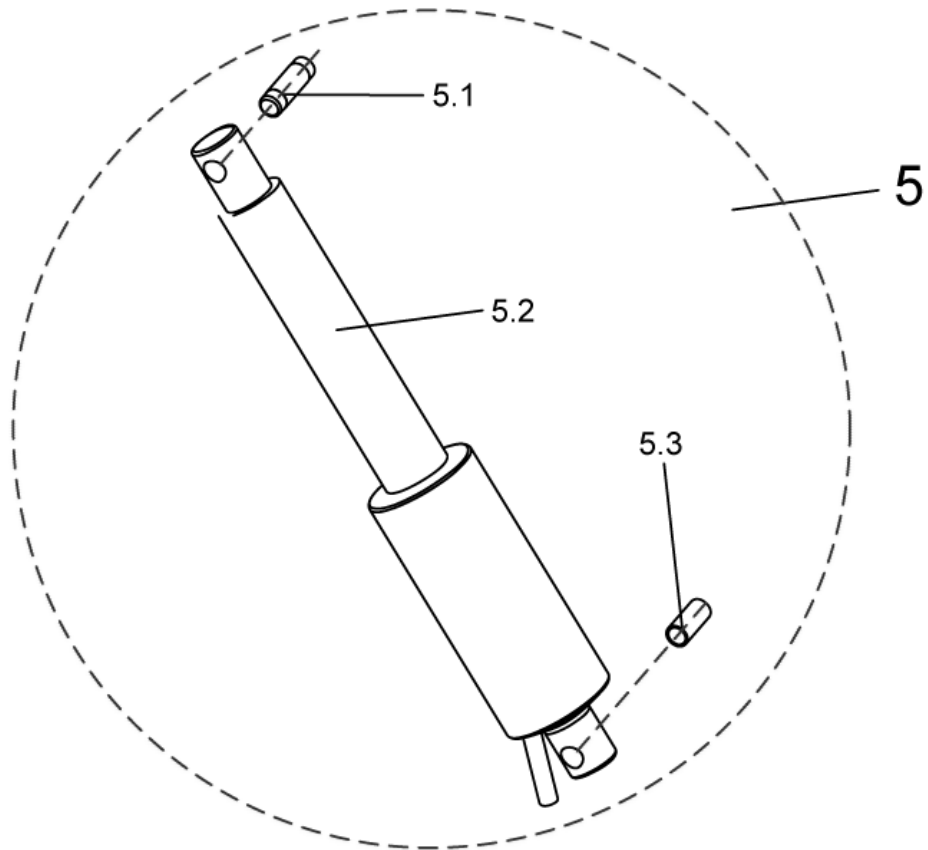
1449408_1.dwg



| item | ordercode | description | quantity |
|------|-----------|------------------------------------|----------|
| 4 | 1450607 | Assembly kit ADP, actuator bracket | 1 |
| 4.1 | NA | UPPER GUARD | 1 |
| 4.2 | NA | NYLOC NUT M8 | 2 |
| 4.3 | NA | NUT M6 SW-14 | 3 |
| 4.4 | NA | HEX HEAD SCREW M6 X 20 | 1 |
| 4.5 | NA | CABLE STRAP L=99 MM (SHORT), BLACK | 1 |
| 4.6 | NA | SOCKET HEAD CAP SCREW M8 X 40 | 2 |
| 4.7 | NA | SOCKET HEAD CAP SCREW M6 X 16 | 1 |
| 4.8 | NA | SOCKET HEAD CAP SCREW M6 X 12 | 1 |
| 4.9 | NA | Actuator holding plate | 1 |
| 4.10 | NA | LOWER GUARD | 1 |

Legrests, sideways mounted - Assembly kit ADP, hoist motor

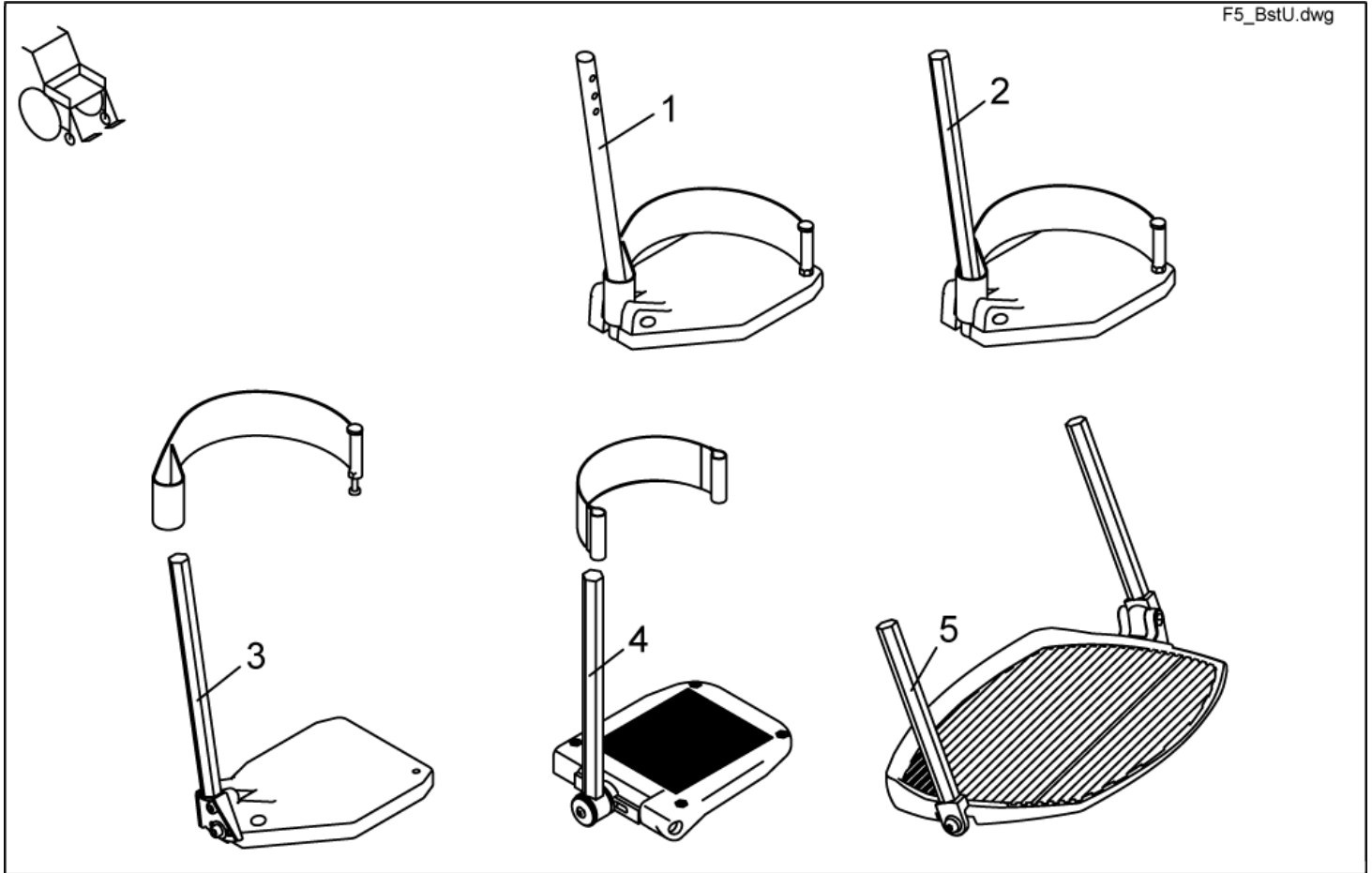
1449408_2.dwg



| item | ordercode | description | quantity |
|------|--------------|-------------------------------|----------|
| 5 | 1450606 | Assembly kit ADP, hoist motor | 1 |
| 5.1 | Z174137.99 | PIVOT BUSH | 1 |
| 5.2 | Z151006 | ACTUATOR ASSY | 1 |
| 5.3 | 4000665-0002 | SPACER BUSH 10X1X22,5 | 1 |

Legrests, sideways mounted - Lower Footrests

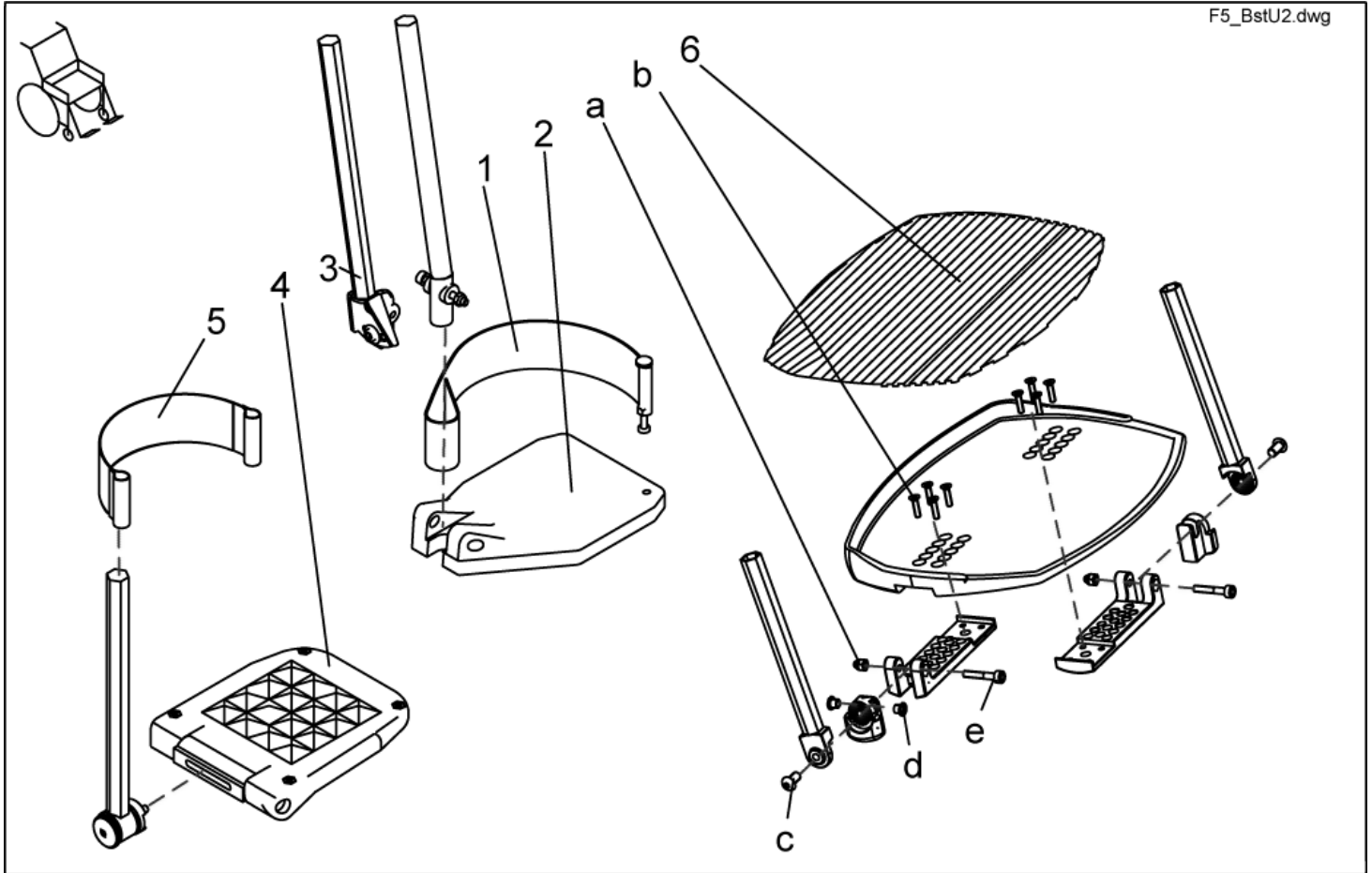
F5_BstU.dwg



| item | ordercode | description | quantity |
|------|-----------|---|----------|
| 1 | B273010 | FOOTREST CPL. STD. 80 LH | 1 |
| 1 | B273009 | FOOTREST CPL. STD. 80 RH | 1 |
| 2 | SP1421663 | LOWER FOOTREST LH, CPL. | 1 |
| 2 | SP1421662 | LOWER FOOTREST RH, CPL. | 1 |
| 3 | SP1421665 | LOWER FOOTREST, ANGLE ADJUSTMENT LH CPL. | 1 |
| 3 | SP1421664 | LOWER FOOTREST, ANGLE ADJUSTMENT RH CPL. | 1 |
| 4 | SP1419344 | FOOT PLATE LH ANGLE AND DEPTH ADJUSTMENT CPL. | 1 |
| 4 | SP1419345 | FOOT PLATE RH ANGLE AND DEPTH ADJUSTMENT CPL. | 1 |
| 5 | SP1423156 | PRE-ASSEMBLED FOOT BOARD | 1 |

Legrests, sideways mounted - Lower Legrests Detailed

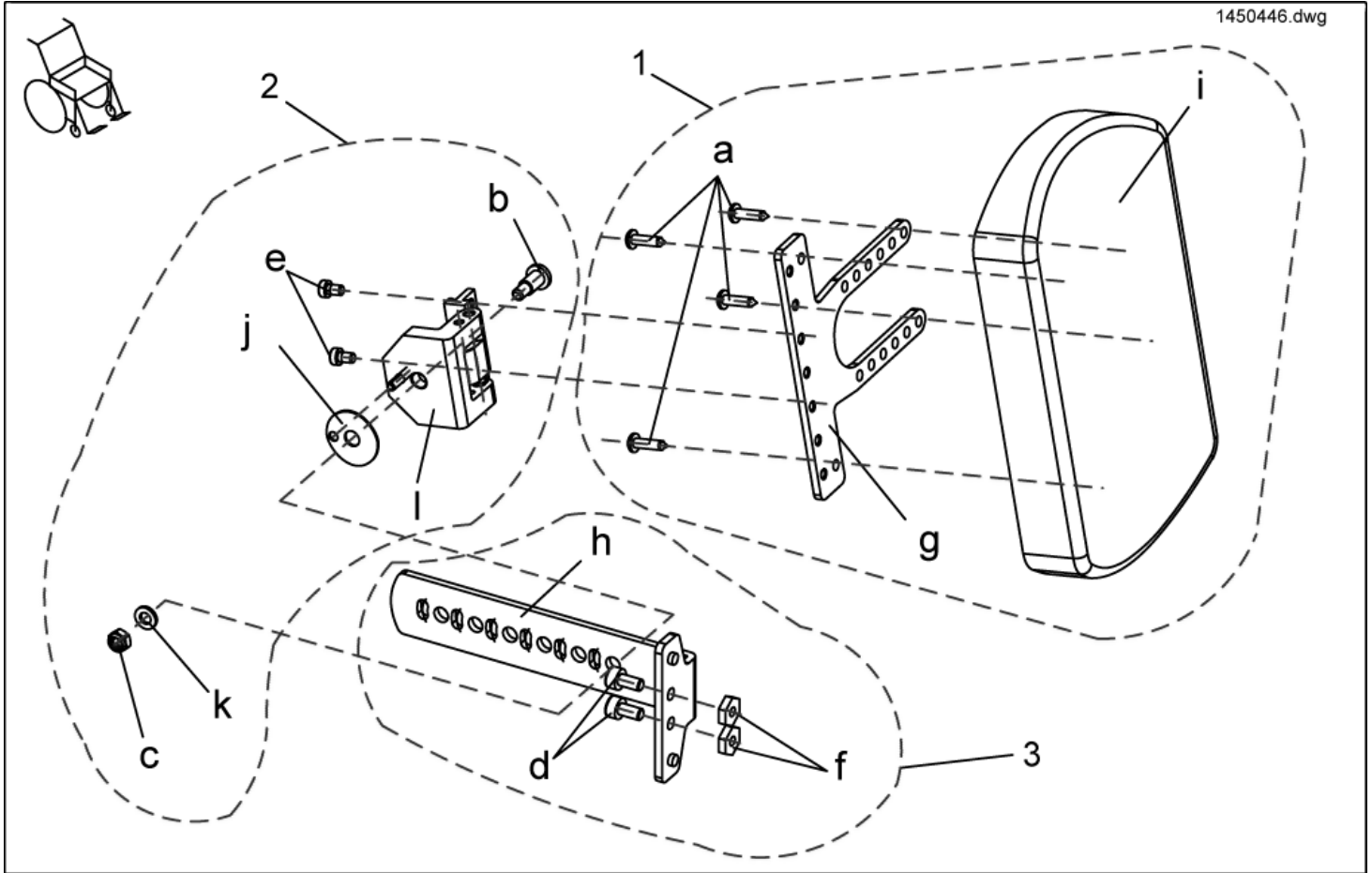
F5_BstU2.dwg



| item | ordercode | description | quantity |
|------|-----------|---|----------|
| 1 | SP1423202 | HEEL STRAP CPL. | 2 |
| 2 | Z173217 | FOOTPLATE LE; BLACK | 1 |
| 2 | Z173218 | FOOTPLATE RH; BLACK | 1 |
| 3 | SP1423204 | FOOT PLATE TUBE, ANGLE ADJUSTMENT LH CPL. | 1 |
| 3 | SP1423203 | FOOT PLATE TUBE, ANGLE ADJUSTMENT RH CPL. | 1 |
| 4 | 5106376 | FOOTPLATE ADAPT / SPIREA ANGLE ADJ. | 2 |
| 5 | 5321579 | HEEL STRAP CPL. | 2 |
| 6 | Z174159 | FOOTPLATERUBBER | 1 |
| a-e | SP1423444 | FOOT BOARD MOUNTING KIT | 1 |
| a | NA | DOMED NYLOC NUT M6, SELF-LOCKING | 2 |
| b | NA | COUNTERSUNK CROSS HEAD SCREW M5 X 20 | 8 |
| c | NA | FLAT SOCKET HEAD SCREW M8 X 16 ULS A2 | 2 |
| d | NA | BUSH BB 0608 DU | 2 |
| e | NA | SOCKET HEAD CAP SCREW M6 X 35 | 2 |

Legrests, sideways mounted - Calf plate holder, right

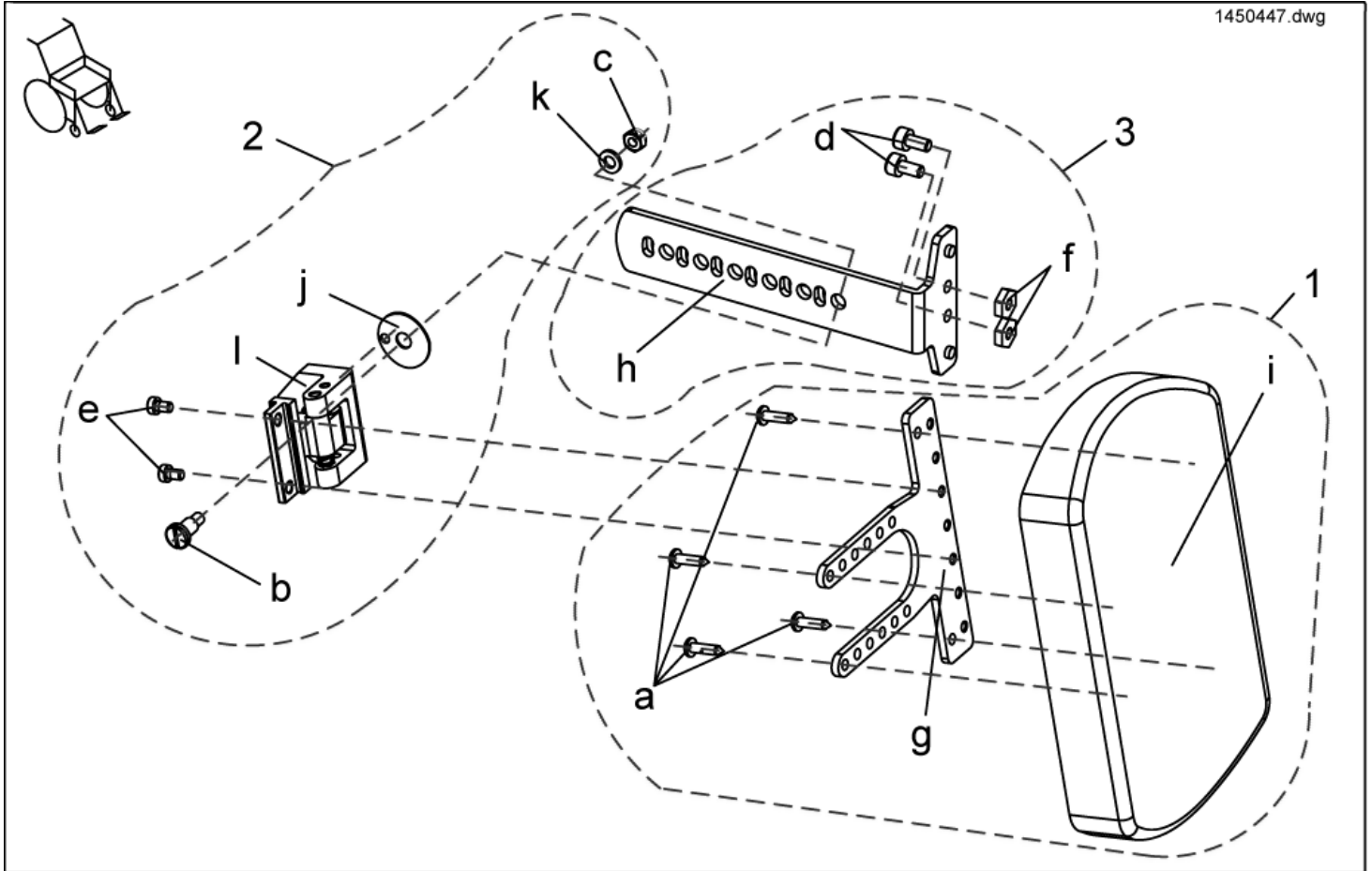
1450446.dwg



| item | ordercode | description | quantity |
|------|-----------|--|----------|
| - | SP1450446 | CALF PLATE HOLDER RIGHT TURNABLE, COMPLETELY | 1 |
| 1 | SP1449021 | ASSEMBLY KIT, CALF PLATE HOLDER | 1 |
| 2 | SP1449022 | ASSEMBLY KIT, CALF PLATE HINGE | 1 |
| 3 | SP1449023 | ASSEMBLY KIT, CALF PLATE | 1 |
| a | NA | DOMED CROSSHEAD SELF TAPPING SCREW 4,8 X 19 | 4 |
| b | NA | SCREW M6 X 12 | 1 |
| c | NA | NYLOC NUT M6 | 1 |
| d | NA | SOCKET HEAD CAP SCREW M6 X 12 | 2 |
| e | NA | SCREWS DIN 6912-M5x10 | 2 |
| f | NA | NUT M6 SW-14 | 2 |
| g | NA | ADAPTER SHEET METAL CALF PLATE TURNABLE / GALVANIZES | 1 |
| h | NA | CALF PLATE HOLDER TURNABLE / GALVANIZES | 1 |
| i | 6301333 | CALF PLATE | 1 |
| j | NA | SLIP WASHER FOR TURNABLE CALF PLATE | 1 |
| k | NA | WASHER 6,4 X 12,5 X 1,6 | 1 |
| l | NA | CALF PLATE HINGE, RIGHT | 1 |

Legrests, sideways mounted - Calf plate holder, left

1450447.dwg



| item | ordercode | description | quantity |
|------|-----------|--|----------|
| - | SP1450447 | CALF PLATE HOLDER LEFT TURNABLE, COMPLETELY | 1 |
| 1 | SP1449021 | ASSEMBLY KIT, CALF PLATE HOLDER | 1 |
| 2 | SP1449022 | ASSEMBLY KIT, CALF PLATE HINGE | 1 |
| 3 | SP1449023 | ASSEMBLY KIT, CALF PLATE | 1 |
| a | NA | DOMED CROSSHEAD SELF TAPPING SCREW 4,8 X 19 | 4 |
| b | NA | SCREW M6 X 12 | 1 |
| c | NA | NYLOC NUT M6 | 1 |
| d | NA | SOCKET HEAD CAP SCREW M6 X 12 | 2 |
| e | NA | SCREWS DIN 6912-M5x10 | 2 |
| f | NA | NUT M6 SW-14 | 2 |
| g | NA | ADAPTER SHEET METAL CALF PLATE TURNABLE / GALVANIZES | 1 |
| h | NA | CALF PLATE HOLDER TURNABLE / GALVANIZES | 1 |
| i | 6301333 | CALF PLATE | 1 |
| j | NA | SLIP WASHER FOR TURNABLE CALF PLATE | 1 |
| k | NA | WASHER 6,4 X 12,5 X 1,6 | 1 |
| l | NA | CALF PLATE HINGE, LEFT | 1 |