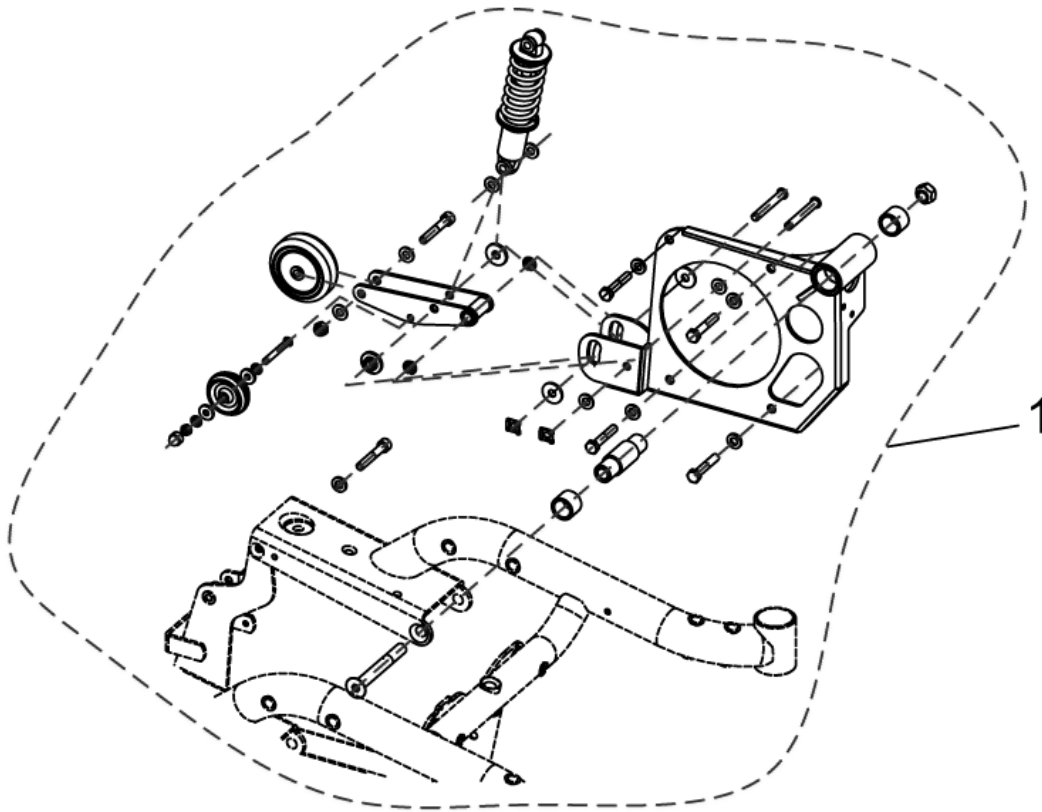


item	ordercode	description	quantity
11	SP1429557	ANTI-TIP HOLDER AND WHEEL CPL.	2
12	SP1428929	SUPPORT WHEEL	2
13	1428928	SHOCK ABSORBER DV-22-165	2
13	1451360	SHOCK ABSORBER MA 250LBS	2
14	1451344	ASSEMBLY KIT: ANTI-TAPPING WHEEL	1

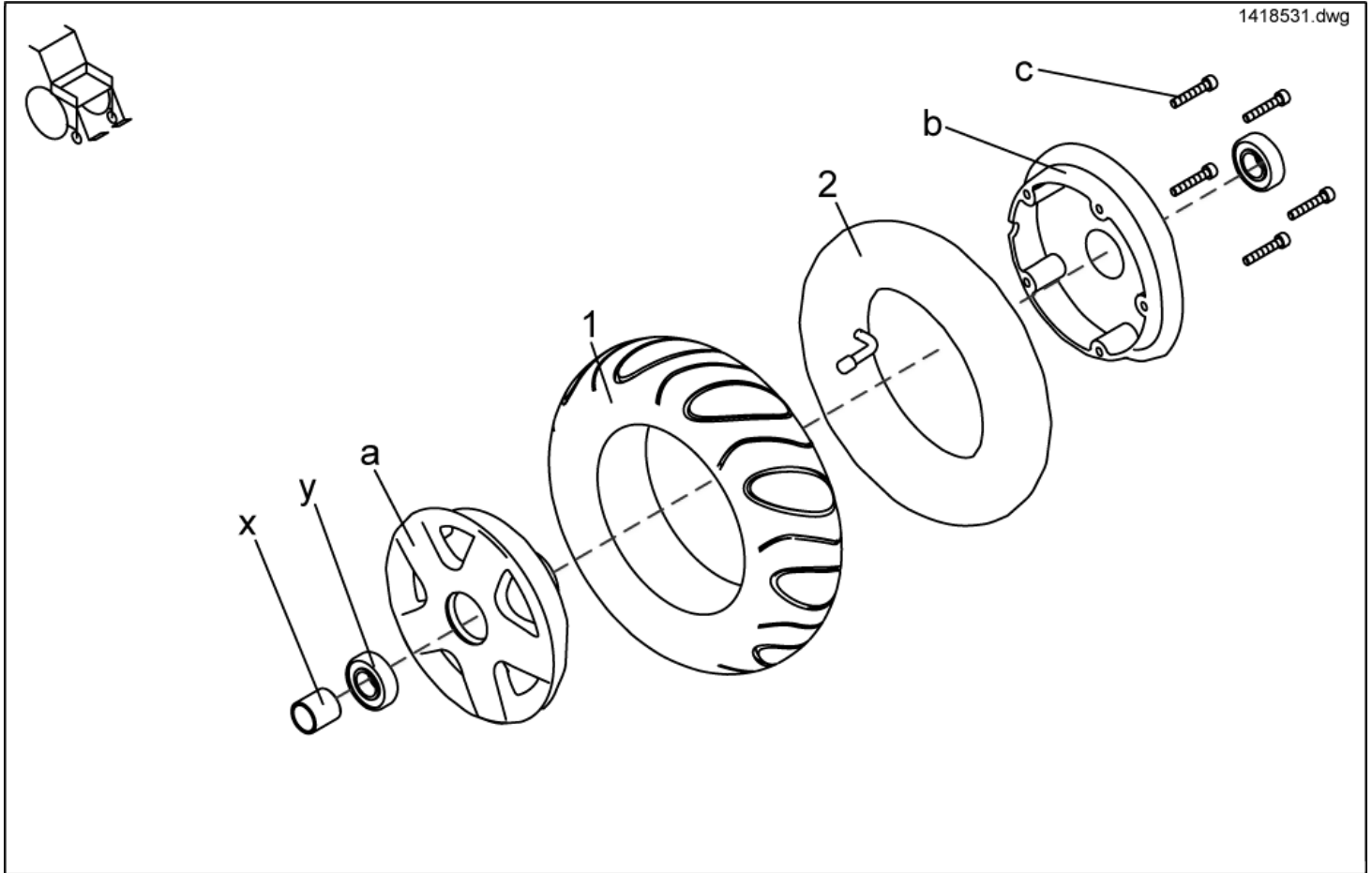
re-tooling kit suspension TRUE TRACK

1451200.dwg



item	ordercode	description	quantity
1	1451200	OUTER TYRE 3.00-6 BLACK PUNCTURE-PROOF SOLID INLAY	1

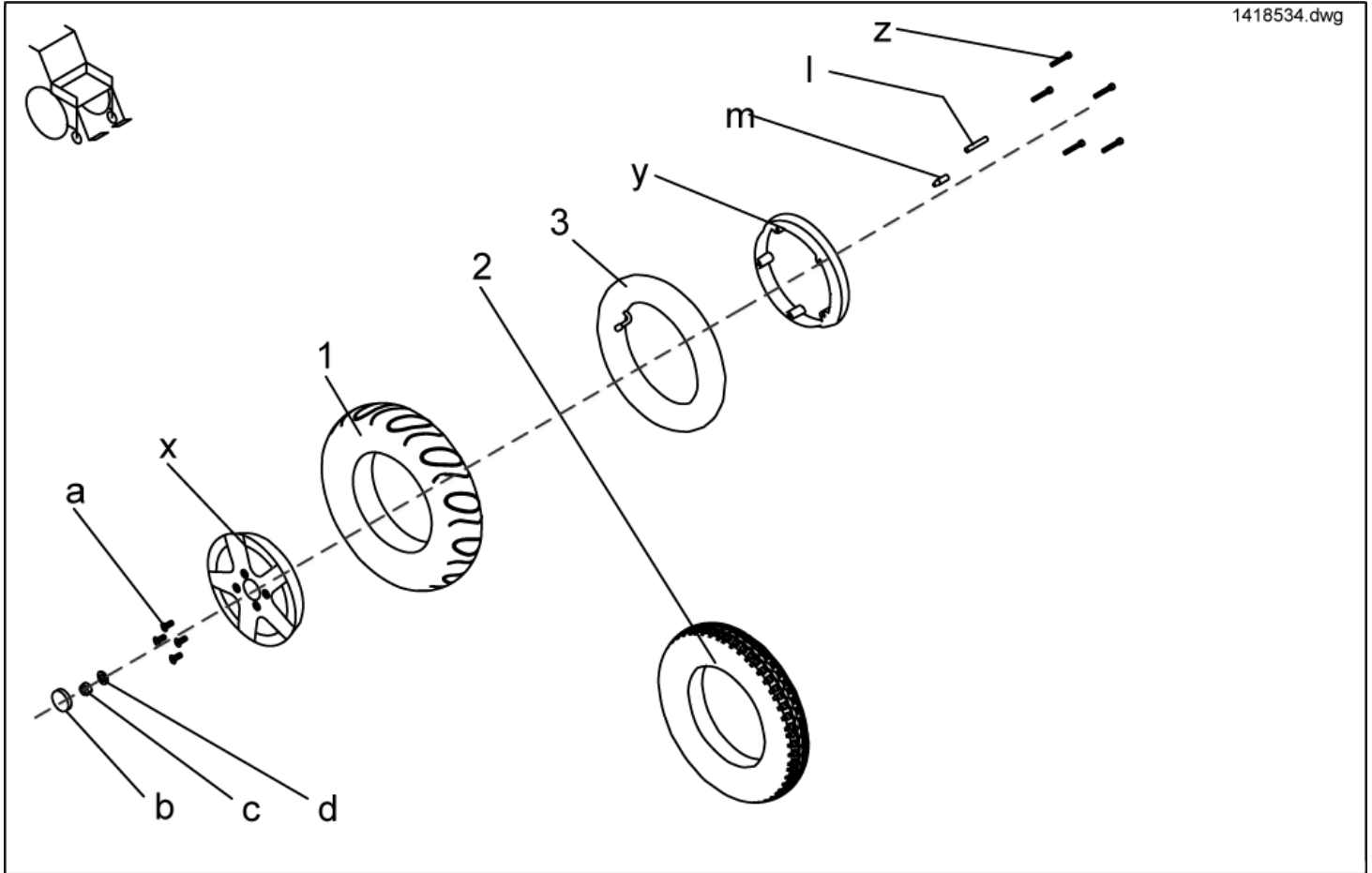
Front Wheels



item	ordercode	description	quantity
-	SP1418531	WHEEL 3.00-6" AIR, GREY, CPL.	2
-	SP1419256	WHEEL 3.00-6" AIR, BLACK, CPL.	2
-	SP1422932	WHEEL 3.00-6" PUNCTURE-PROTECTED, GREY, CPL.	2
-	SP1422933	WHEEL 3.00-6" PUNCTURE-PROTECTED; BLACK, CPL.	2
-	SP1430231	WHEEL 3.00-6 PUNCTURE-PROOF SOLID INLAY GREY CPL.	2
-	SP1430232	WHEEL 3.00-6 PUNCTURE-PROOF SOLID INLAY BLACK CPL.	2
1	1418532	COVER 3.00-6", GREY	1
1	1419226	COVER 3.00-6", BLACK	1
1	1430229	OUTER TYRE 3.00-6 GREY PUNCTURE-PROOF SOLID INLAY	1
1	1430230	OUTER TYRE 3.00-6 BLACK PUNCTURE-PROOF SOLID INLAY	1
2	1415175	TUBE 3.00 X 6 90 ° TR 87	1
a-c	SP1423181	WHEEL RIM ASSEMBLY KIT 6", CPL.	2
a	NA	TYRE LOCKING RING 6", OUTSIDE	1
b	NA	TYRE LOCKING RING 6", INSIDE	1
c	NA	SOCKET HEAD CAP SCREW M6 X 35	5
x+y	SP1423182	WHEEL RIM BEARING SET 6", CPL.	2
x	NA	SPACER BUSH	1
y	NA	DEEP GROVE BALL BEARING 6004-2RS	2

Driving Wheels

1418534.dwg

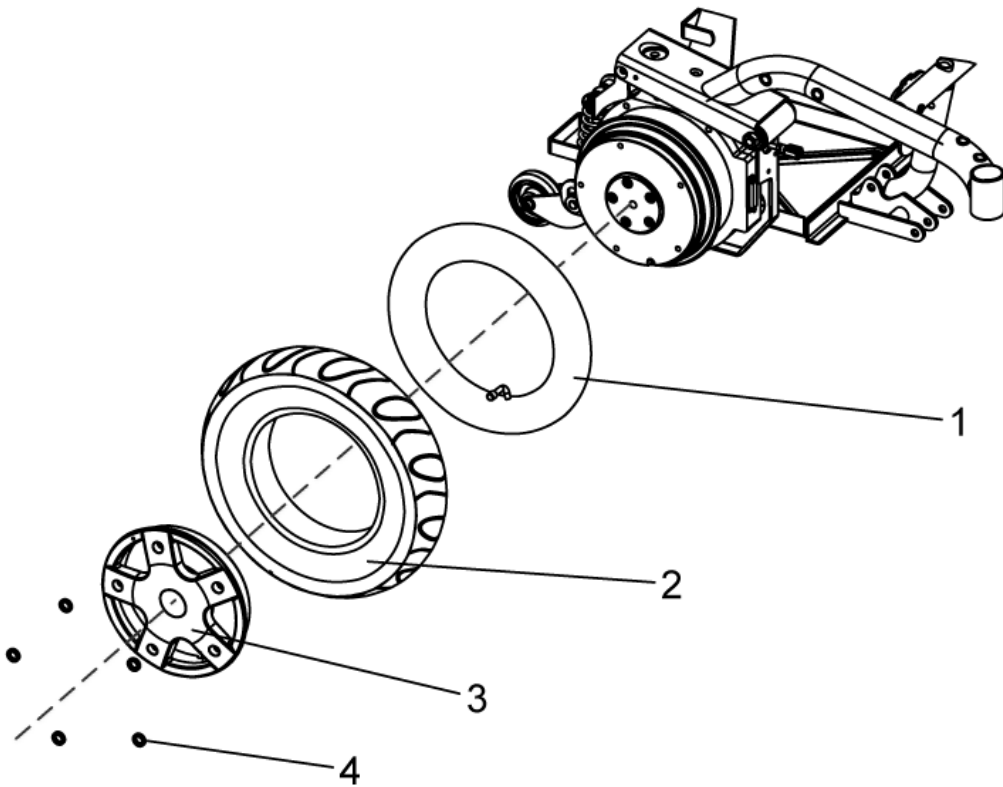


item	ordercode	description	quantity
-	SP1433544	DRIVING WHEEL CPL., Trelleborg Tyreg. T-539, GREY, PUNCTURE-PROTECTED	2
-	SP1433543	DRIVING WHEEL CPL., Trelleborg Tyreg. T-539, GREY, PNEUMATIC	2
-	SP1418534	WHEEL 3.00-8" AIR, GREY, CPL.	2
-	SP1419258	WHEEL 3.00-8" AIR, BLACK, CPL.	2
-	SP1421829	WHEEL 3.00-8" PUNCTURE-PROTECTED, GREY, CPL.	2
-	SP1421831	WHEEL 3.00-8" PUNCTURE-PROTECTED, BLACK, CPL.	2
-	SP1430220	WHEEL 3.00-8 PUNCTURE-PROOF SOLID INLAY GREY CPL.	2
-	SP1430221	WHEEL 3.00-8 PUNCTURE-PROOF SOLID INLAY BLACK CPL.	2
-	SP1421801	WHEEL 3.00-8" TRELLEBORG, GREY, CPL.	2
-	SP1421833	WHEEL 3.00-8" TRELLEBORG PUNCTURE-PROTECTED, GREY, CPL.	2
1	1415173	COVER 3.00-8", GREY	2
1	1419257	COVER 3.00-8", BLACK	2
1	1430215	OUTER TYRE 3.00-8 GREY PUNCTURE-PROOF SOLID INLAY	2
1	1430217	OUTER TYRE 3.00-8 BLACK PUNCTURE-PROOF SOLID INLAY	2
2	M11968	TYRE 3.00X8, STOLLE, (TRELLEBORG), GREY	2
3	M12016	INNER TUBE 3.00-8 WITH VALVE TR 87-90/90	2
a-d	SP1423443	WHEEL ASSEMBLY KIT 3.00-8"	2
a	NA	SCREW M8 X 35 TORX DIN 7991	4
b	NA	CAP WITH "INVACARE" LOGO	1
c	NA	NYLOC NUT M12 X 1,5	1
d	NA	WASHER 13 X 24 X 2,5	1
l+m	SP1423185	SPEEDOMETER DRIVE GEAR ASSEMBLY KIT, CPL.	1
l	NA	MAGNETIC RUBBER	1
m	NA	MAGNET, ROUND 6 X 25	1
x-z	SP1423184	WHEEL RIM ASSEMBLY KIT 8", CPL.	2
x	NA	TYRE LOCKING RING 8", OUTSIDE	1
y	NA	TYRE LOCKING RING 8", INSIDE	1

item	ordercode	description	quantity
z	NA	SOCKET HEAD CAP SCREW M6 X 40	5

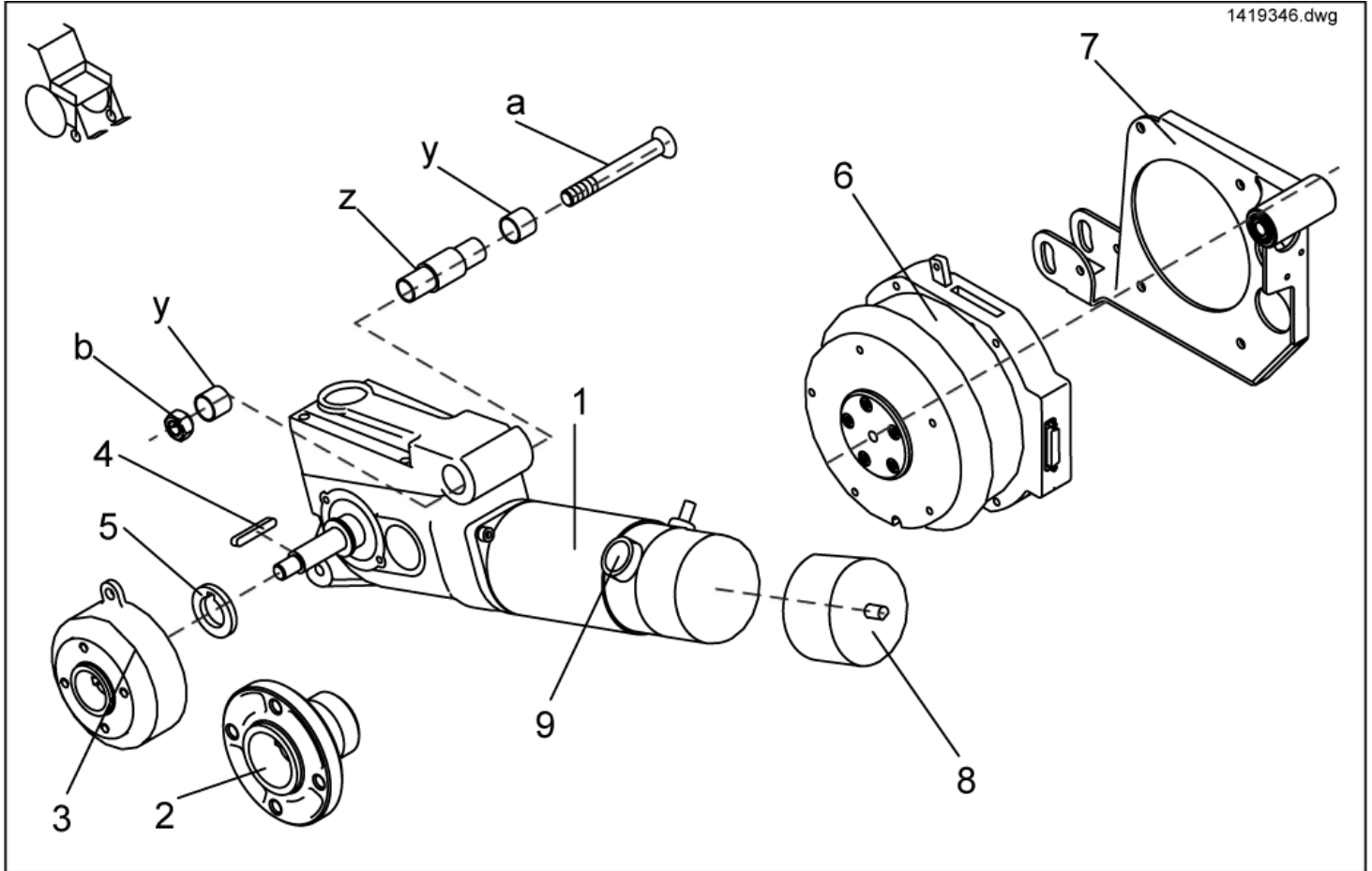
Rear Wheels True Track

1433537.dwg



item	ordercode	description	quantity
1	M12016	INNER TUBE 3.00-8 WITH VALVE TR 87-90/90	2
2	1415173	COVER 3.00-8", GREY	2
2	1419257	COVER 3.00-8", BLACK	2
2	M11968	TYRE 3.00X8, STOLLE, (TRELLEBORG), GREY	2
3	1429347-0307	REAR WHEEL RIM OUTER	2
4	5829252	WASHER NORD-LOCK 5/16	10

Driving unit

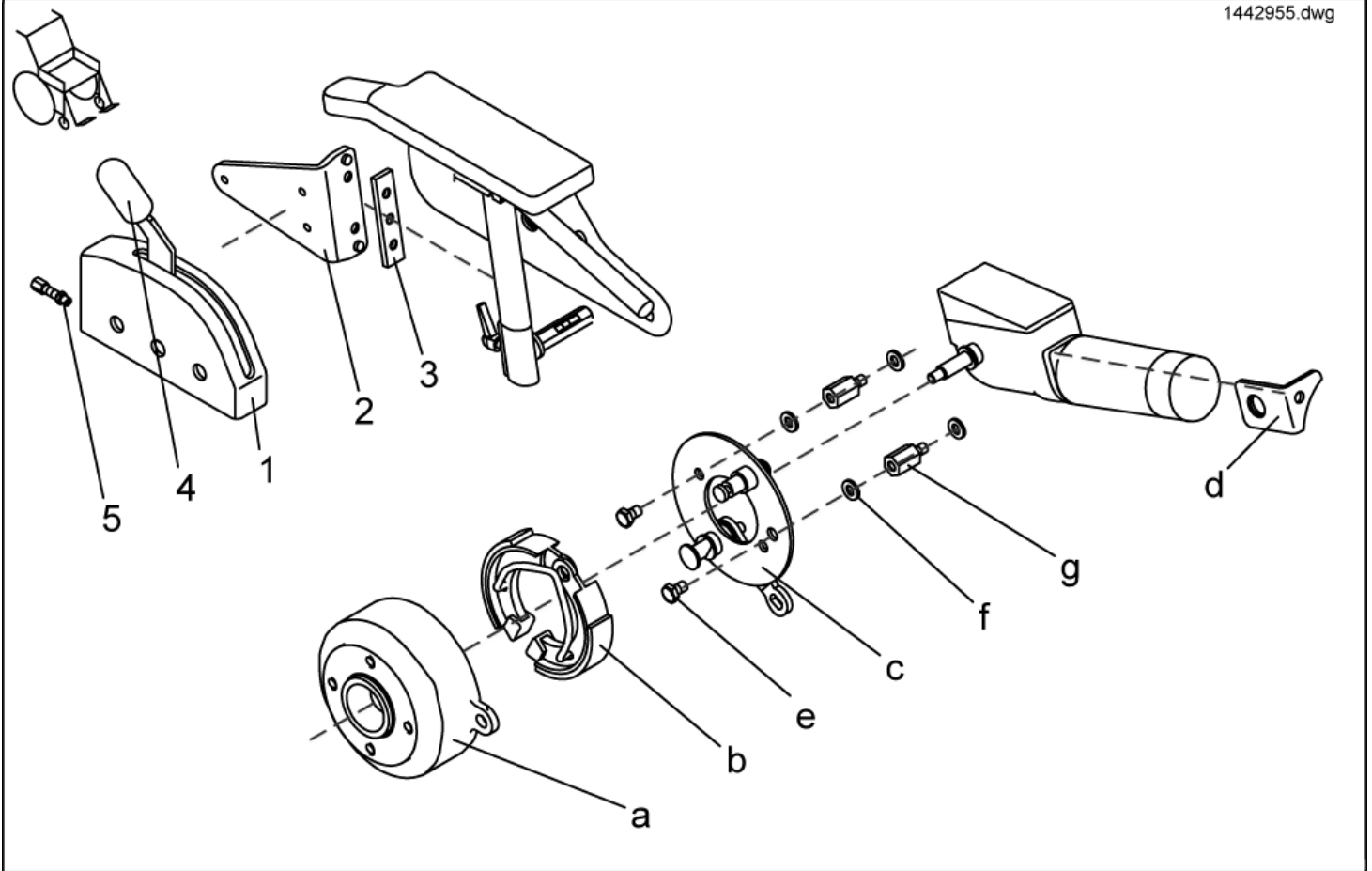


item	ordercode	description	quantity
-	SP1421802	DRIVE UNIT, 6 KM/H LH CPL. (WITH BRAKE)	1
-	SP1421803	DRIVE UNIT, 6 KM/H RH CPL. (WITH BRAKE)	1
-	SP1421804	DRIVE UNIT, 6 KM/H LH CPL. (WITHOUT BRAKE)	1
-	SP1421805	DRIVE UNIT, 6 KM/H RH CPL. (WITHOUT BRAKE)	1
-	SP1421806	DRIVE UNIT, 10 KM/H LH CPL. (WITH BRAKE)	1
-	SP1421807	DRIVE UNIT, 10 KM/H RH CPL. (WITH BRAKE)	1
-	SP1421808	DRIVE UNIT, 10 KM/H LH CPL. (WITHOUT BRAKE)	1
-	SP1421809	DRIVE UNIT, 10 KM/H RH CPL. (WITHOUT BRAKE)	1
-	SP1421810	DRIVE UNIT, 12 KM/H LH CPL. (WITH BRAKE)	1
-	SP1421811	DRIVE UNIT, 12 KM/H RH CPL. (WITH BRAKE)	1
-	SP1421812	DRIVE UNIT, 12 KM/H LH CPL. (WITHOUT BRAKE)	1
-	SP1421813	DRIVE UNIT, 12 KM/H RH CPL. (WITHOUT BRAKE)	1
1	1422899	DRIVE UNIT 6 KM/H LH	1
1	1422898	DRIVE UNIT 6 KM/H RH	1
1	1422901	DRIVE UNIT 10 KM/H LH	1
1	1422900	DRIVE UNIT 10 KM/H RH	1
1	1422903	DRIVE UNIT 12 KM/H LH	1
1	1422902	DRIVE UNIT 12 KM/H RH	1
2	1415172	WHEEL HUB STD.	1
3	1415171	WHEEL HUB FOR BRAKE	1
4	N23004	WOODRUFF KEY A 6 X 6 X 40	2
5	1423164-0002	WASHER 19 MM WITH CUTOUT FOR FEATHER KEY	1
a,b	SP1423186	DRIVE UNIT ASSEMBLY KIT, CPL.	2
a	NA	SCREW M12 X 100, DIN 7991	1
b	NA	NUT M12	1
y,z	SP1421761	SHAFT	2
y	NA	SINTERED METAL BUSH	2

item	ordercode	description	quantity
z	NA	SHAFT	1
-	Z131034	MAGNET BRAKE, FOR DRIVE UNIT LEFT P01062/4 (FROM SCHMID)	1
-	Z131035	MAGNET BRAKE, FOR DRIVE UNIT RIGHT P01061/3 (FROM SCHMID)	1
-	0511-5016	CLUTCH SPARE PART KIT (SCHMID + RELIANCE)	2
-	F351007	ACS MOTOR PLUG CPL.	2
6	SP1433561	MOTOR GEARLESS LH	1
6	SP1433562	MOTOR GEARLESS RH	1
7	SP1422840	CRANK LH CPL.	1
7	SP1428930	CRANK RH CPL.	1
8	1484939	PLASTIC HOOD FOR SCHMID DRIVE STORM3	1
9	SP1423439	CARBON BRUSHES; SCHMID	2

Brake

1442955.dwg



item	ordercode	description	quantity
-	SPF331028	BRAKE ASSY LH	1
-	SPF331038	BRAKE ASSY RH	1
-	SP1423473	BOWDEN CABLE SET CPL.	1
1	F331022	BRAKE BOX COVER; GREY	1
2	1428075-9005	BRAKE BOX HOLDER LH	1
2	1428076-9005	BRAKE BOX HOLDER RH	1
3	1421720-0002	GROVE PLATE	1
4	5007791	KNOB; BLACK	1
5	M30050	ADJUSTING SCREW M6 X 24; ZINC PLATED	4
a,b,c,d,e,f,g	1442955	Kit WHEEL BRAKE LH, CPL.	1
a,b,c,d,e,f,g	1442956	Kit WHEEL BRAKE RH, CPL.	1
a	1415171	WHEEL HUB FOR BRAKE	1
b	M30985	BRAKE SHOE 90X18 (ANELLI)	1
c	SP1415066	PRE-ASSEMBLED BRAKE BACKING PLATE RH	1
c	SP1415067	PRE-ASSEMBLED BRAKE BACKING PLATE LH	1
d	1421653-0003	HOLDER-UP LH	1
d	1421654-0003	HOLDER-UP RH	1
e	NA	HEX HEAD SCREW M6 X 10	2
f	NA	WASHER 6,4 X 12,5 X 1,6	4
g	NA	HEXAGON SPACER	2