
Spare Part List - INVACARE® G50



Table of Contents - INVACARE G50

.....	1
Warnings	5
G50.....	6
Data Plate.....	6
Chassis.....	7
Chassis G50.....	7
Gepäckträger G50.....	8
Front Rocker	9
Rear Rocker	10
Schwinge, hinten 05.2006 >.....	12
Fairings.....	14
Rear Fairing	14
Front Fairing.....	15
Side Fairing	16
Undercarriage.....	17
Front Wheels	17
Tyres, Pneumatic	17
Tyres, Puncture Proof.....	18
Rear Wheels	19
Tyres, Pneumatic	19
Tyres, Puncture Proof.....	20
Steering Column	21
Drive	22
Drive Units.....	22
Clutch	23
Parking Brake.....	24
Battery box	25
Electronics.....	26
Lighting.....	26
Light Holder.....	26
Front Light.....	27
Rear Light	28
Electronics.....	29
Battery Charger	30
Cables	31
Battery Cables.....	31
Battery Cable With Fuse and Holder.....	31
ACS-Bus Cables	31
Main Cable Harnesses.....	31
Remotes	32
Attendant Control, Switchable.....	33

Middle Control	34
Chin Control Swing-Away Mechanism	35
Chin Control	36
Remote	37
Remote Fixation	37
Remote Fixation For Attendant Control.....	38
Seat Unit.....	39
Seat Plates	39
Hinge Mechanism, For Fixed Legrests	40
Hinge Mechanism, For Swing-Away Legrests	42
Seat Tilt Electric	44
Seat Tilt Fixed	45
Sliding Armrest.....	46
Seat Cushions.....	47
Backrest Cushions	49
Side Parts.....	51
Standard Side Parts Complete, For Low Seat Height.....	52
Backrest Adjustment Standard.....	54
Backrest Adjustment Flex/Contour Manual.....	55
Backrest Adjustment Flex/Contour Electric.....	56
Assembly Kit For Backrest Adjustment.....	58
Backrest Tube Flex	59
Fixation Belts.....	60
Headrests	61
Footrest, Legrests	62
Legrest Bracket, Electric 8cm	62
Legrest Bracket, Electric 5cm	63
Legrest, Electric	64
Legrest, Manual	66
Footrest Lower Parts	68
Upper Vari F, Right	69
Upper Vari F, Left.....	70
Upper Vari A, Right	71
Upper Vari A, Left.....	72
Upper ADM, Right.....	73
Assembly Kit, ADM Hangers.....	74
Assembly Kit, ADM Sliding Bushing	75
Assembly Kit, Trip Lever + Lock Lever	76
Assembly Kit, ADM Adjustment	77
Upper ADM, Left	78
Assembly Kit, Hangers.....	79
Assembly Kit, ADM Sliding Bush	80
Assembly kit, Trip Lever + Lock Lever	81
Assembly Kit, ADM Adjustment	82

Upper ADP, Right.....	83
Assembly kit, ADM Hangers	84
Assembly kit, ADM Sliding Bush	85
Assembly Kit, Trip Lever + Lock	86
Assembly Kit ADP, Actuator Bracket	87
Assembly Kit ADP, Hoist Motor	88
Upper ADP, Left	89
Assembly Kit, ADM Hangers.....	90
Assembly Kit, ADM Sliding Bush	91
Assembly, Trip Lever + Lock Lever.....	92
Assembly Kit ADP, Actuator Bracket	93
Assembly Kit ADP, Hoist Motor	94
Options	95
Tray / Tray Control	95
Tray Control	96
Options.....	97
Documentation	99
User manuals G50	99

Warnings

△ **Caution: Physical injury and damage to property! Loss of CE conformity and warranty due to modifications and mounting of privately purchased articles without authority!**

Alterations to the vehicle that are not approved by Invacare® and/or do not belong to the standard or optional equipment can

- downgrade vehicle handling to such an extent that the vehicle is no longer controllable,
- restrict functionality to such an extent that this may cause failure of electric/electronic components or become a fire hazard.

Modifications that have not been approved and the mounting of privately purchased articles will lead to the loss of CE conformity, Invacare® will not be liable in the event of physical injury or damage to property.

Expiration of vehicle warranty.

Maintain full efficiency and the safe use of your vehicle, avoid physical injury, damage to property or the loss of CE conformity and warranty by:

- only using original Invacare® spare parts,
- only using installation material of the same quality as the original material,
- never opening electric and electronic components (not even after warranty has expired!),
- never modifying electric, electronic or mechanical components
- never mounting parts obtained from external manufacturers without written approval from Invacare®.

✓ **Information: Definitions.**

What parts are looked upon by Invacare® as being from external manufacturers and as electric/electronic components?

Among other things, parts from external manufacturers that are subject to approval are:

- All electric and electronic components that are connected to the power supply system of the vehicle, such as seat heating, remotes, signal horns, radios.
- All mechanical mounted parts that change vehicle handling, such as trailed units and seat systems.
- In general mounted parts are not permitted that do not conform with the valid road traffic regulations and may thus also not be mounted on Invacare® vehicles.

Electric and electronic components must not be opened, e.g.:

- Electronics
- Drive motors
- Remotes
- Actuators for electric adjustments, e.g. adjustment of the back, legrests and seat angle.

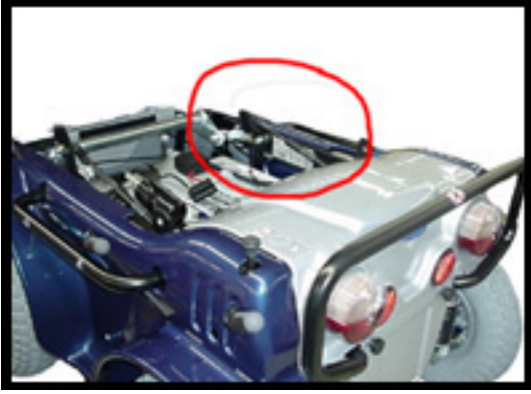
△ **Caution: Risk of injury when assembling and dismantling the vehicle!**

Before commencing any work, ensure that the vehicle is secure. Please read and follow the valid industrial safety regulations. Carry out maintenance and service work according to the service instructions (available separately) in order to avoid physical injury and damage to property. A tool list, illustrated step-by-step instructions and details of tightening torques, will assist you and show how the vehicle remains, or will remain safe and fully serviceable.

✓ **Information: Invacare® addresses and service numbers.**

Addresses and service numbers of Invacare® branches can be found in the operating instructions, in the service instructions and on the Internet.

Data Plate





- ✓ You are often only able to find the suitable spare part by using the details on the type plate. The type plate is to be found directly on the chassis.

Please quote the serial number, model and year for every order. This helps to prevent misunderstandings.

Typenschild.dwg

INVACARE Deutschland GmbH
Kleiststrasse 49
D-32457 Porta-Westfalica - GERMANY



12/07/2000 

Model : 1

REF :

Agreement No:


SN 2

Max Speed:

Max Incline:

Front Whl Load:

Total Wt:

EAN 
12345678910111212

Mid Whl Load:

Unladen Wt:

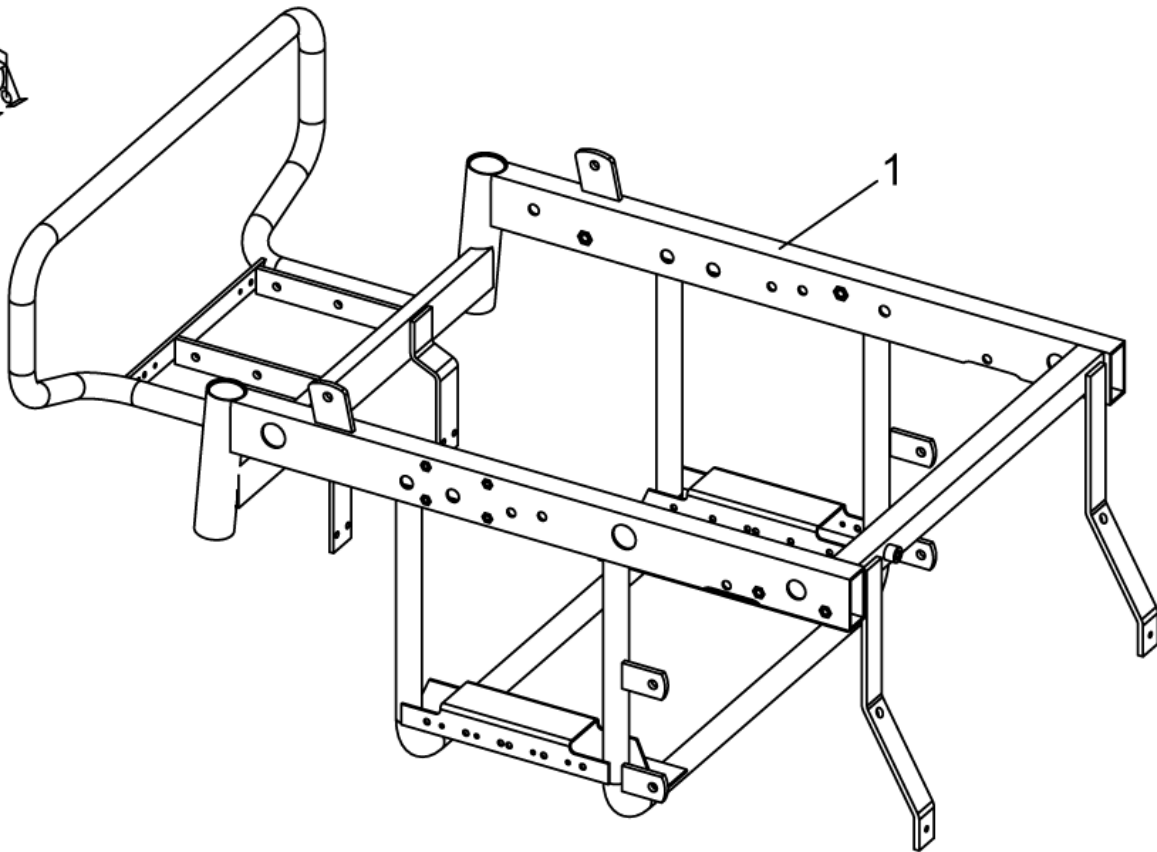
Rear Whl Load:

Max User Wt:

item	description
1	MODEL DESIGNATION
2	SERIAL NUMBER
3	PRODUCTION DATE

Chassis - Chassis G50

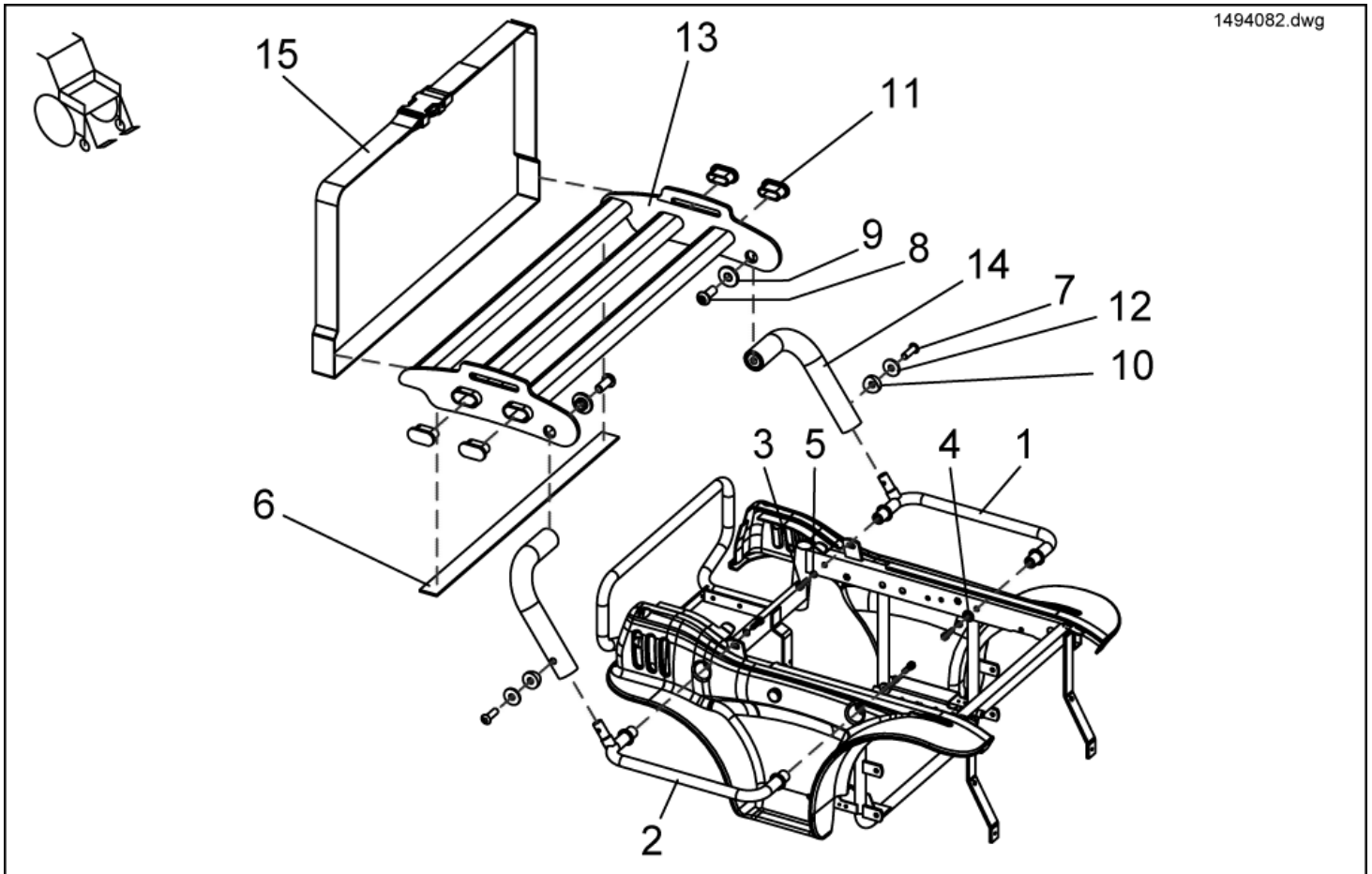
1488016.dwg



item	ordercode	description	quantity
1	1451472	CHASSIS G50, RAL 9005	1

Chassis - Gepäckträger G50

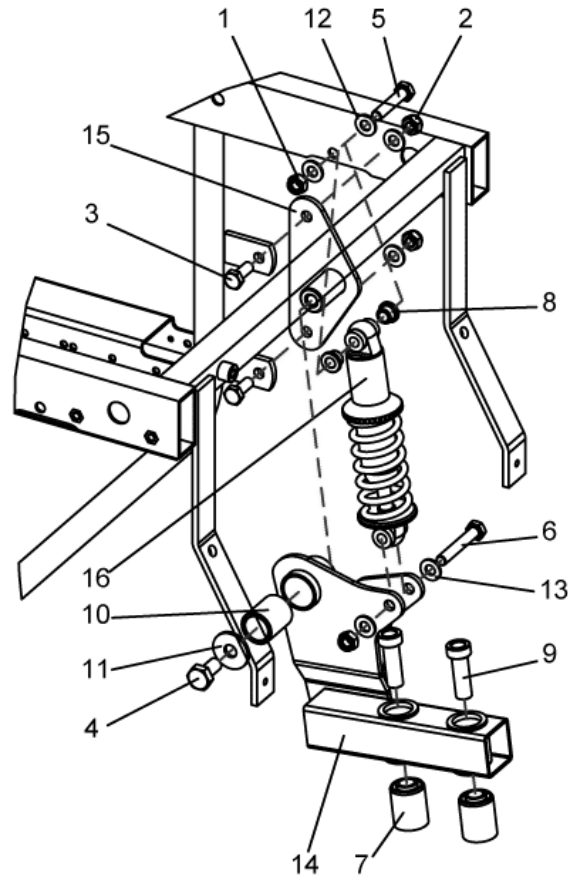
1494082.dwg



item	ordercode	description	quantity
1-15	1494082	Montage-Kit Gepäckträger, kpl.	1
1	NA	CHASSIS G50, RAL 9005	1
2	NA	Haltegriff kpl. RH	1
3	NA	Schraube DIN 912-M8x25-8.8/vz	4
4	NA	Gleitbuchse	2
5	NA	Sicherungsscheibe S8	4
6	NA	Flauschband 20x370 mm	1
7	NA	Schraube DIN 7380-M6x20-10.9/svz	2
8	NA	Schraube DIN 7380-M8x20-10.9/svz	2
9	NA	Gleitbuchse	2
10	0572-02152	Rundkappe Form B	2
11	L01053	Gleiter FO 30x15	4
12	NA	Scheibe DIN 9021-6,4-St/svz	2
13	NA	Gepaecktraeger kpl.	1
14	NA	Seitenstuetze kpl.	2
15	B284019	Gurt	1

Chassis - Front Rocker

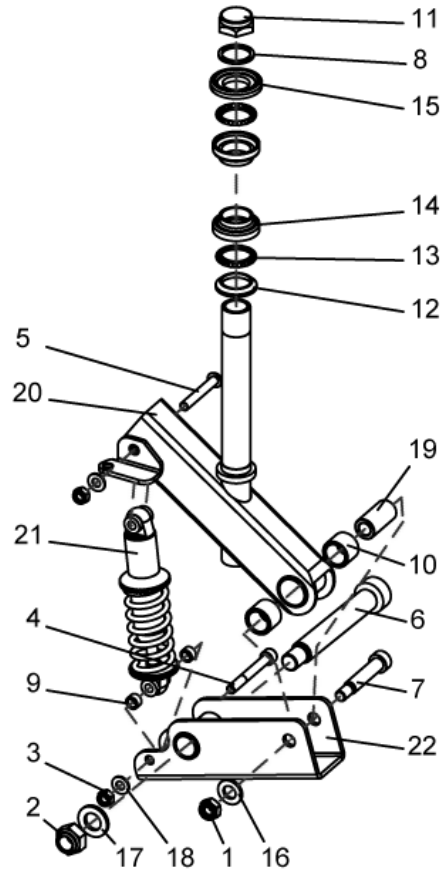
1487395.dwg



item	ordercode	description	quantity
1,5,6,8,12, 13,16	1467988	SHOCK ABSORBER WITH ASSEMBLY KIT FOR RH OR LH	1
2,3,4,7,9,10, 11,14,15	1468275	ROCKER WITH ASSEMBLY KIT LH	1
2,3,4,7,9,10, 11,14,15	1467989	ROCKER WITH ASSEMBLY KIT RH	1
1	NA	NYLOC NUT M8 SELF-LOCKING, DIN 985	2
2	NA	HEX NUT M8 SELF-LOCKING	2
3	NA	HEX HEAD SCREW M8*20	2
4	NA	SCREW DIN 933 M10X20	1
5	NA	HEX HEAD SCREW M8 X 40	1
6	NA	HEX HEAD SCREW M8 X 50	1
7	NA	ROCKER-ARM BUSH 50 SHORE	2
8	NA	ALUMINIUM BUSH G50 (SHOCK ABSORBER)	2
9	NA	SPACER ADAPTER VO GALV. BLUE ZINC-PLATED / G50	2
10	NA	BUSH 202632BP25 G50	1
11	NA	DIN 9021 10.5 MM ZINC-PLATED WASHER M10 LARGE	1
12	NA	WASHER 8, 4X17X1, 6	4
13	NA	WASHER 8, 4X17X1, 6 DIN 125	2
14	NA	FRONT SUSPENSION LH GALV. ZINC-PLATED BLUE / G50	1
15	NA	PIVOT BRACKET GALV. BLUE ZINC-PLATED / G50	1
16	NA	SHOCK ABSORBER DV-22-165	1

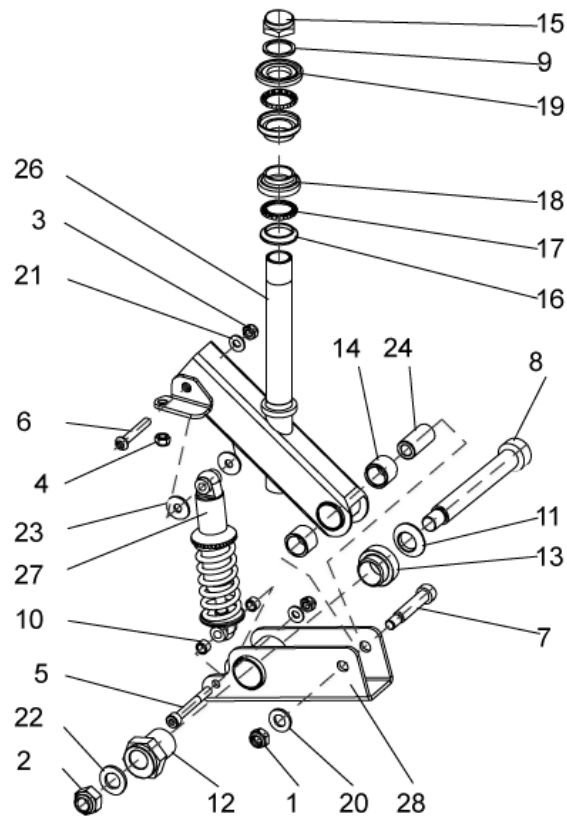
Chassis - Rear Rocker

1451477.dwg



item	ordercode	description	quantity
3,4,5,9,18,21	1468276	SHOCK ABSORBER WITH ASSEMBLY KIT FOR RH OR LH	1
1,2,6,7,8,10,11, 12,13,14,15,16, 17,19,22,23	1468287	ROCKER WITH ASSEMBLY KIT RH	1
1,2,6,7,8,10,11, 12,13,14,15,16, 17,19,22,23	1468288	ROCKER WITH ASSEMBLY KIT LH	1
1	NA	HEX NUT SELF-LOCKING M10	1
2	NA	STEERING COLUMN PIPE / G50	1
3	NA	NYLOC NUT M8 SELF-LOCKING, DIN 985	2
4	NA	SCREW M8X65 DIN 912	1
5	NA	SCREW, ISO 7380 M8X55	1
6	NA	SL-LOCKING SCREW M16X120	1
7	NA	SCREW DIN 7379 M10X50	1
8	NA	STEER HEAD WASHER DIA 26	1
9	NA	SPACER GALV. BLUE ZINC-PLATED / G50	2
10	NA	BUSH 102620 BP 25 OILED	2
11	NA	STEERING COLUMN HEAD NUT FG 25.4 X 24 GG, CHROME PLATED	1
12	NA	FORK CONE DIA 26, 5	1
13	NA	BEARING 5/32"	1
14	NA	UPPER CONED BEARING BUSH DIA 30	1

item	ordercode	description	quantity
15	NA	THREAD CONE FG 25, 4*24 GG	1
16	NA	WASHER 13X24X2, 5	1
17	NA	WASHER 17*30*3	1
18	NA	WASHER 8, 4X17X1, 6 DIN 125	2
19	NA	CAMP WAVE G50	1
20	NA	REAR STEERING SHAFT LH BLUE ZINC-PLATED / G50	1
21	NA	SHOCK STRUT 165MM, 150LBS/INCH	1
22	NA	STEERING WHEELS CPL. LH GALV. BLUE ZINC-PLATED / G50	1

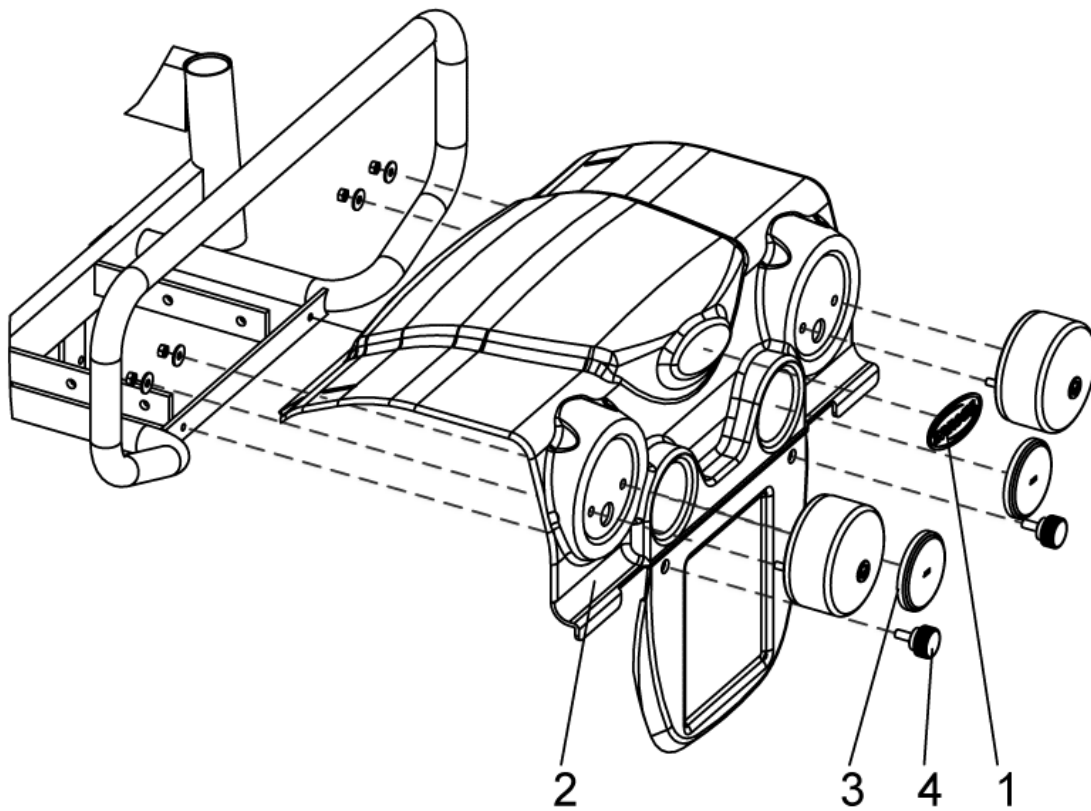


item	ordercode	description	quantity
3,4,5,9,18,21	1468276	Stoßdämpfer hinten mit Befestigungskit für RH oder LH	1
1,2,7,8,9,11,12,13,14,15,16,17,18,19,20,22,28	1492857	Schwinge hinten mit Befestigungskit RH	1
1,2,7,8,9,11,12,13,14,15,16,17,18,19,20,22,28	1492858	Schwinge hinten mit Befestigungskit LH	1
1	NA	Mutter Sechskant selbstsichernd M10	1
2	NA	Mutter DIN 985 M16	1
3	NA	Mutter, M8 selbstsichernd, DIN 985	2
4	NA	Mutter, Sechskant M8 selbstsichernd	1
5	NA	Schraube M8x65 DIN 912	1
6	NA	Schraube M8x50, DIN 7380 10.9	1
7	NA	Paßschraube DIN 7379 M10x50	1
8	NA	M16x140 ISO 7379	1
9	NA	LENKKOPFSCHLEIFE DIA 26	1
10	NA	Distanzhülse galv. blau verzinkt/G50	2
11	NA	Kugelscheibe galv. blau verz. / G50	1
12	NA	Einsteckbuchse galv. blau verz. / G50	1
13	NA	Steckbuchse galv. blau verz. / G50	1
14	NA	Sintermetallbuchse 102620 BP 25 ölgetränkt	2
15	NA	STEUERKOPFMUTTER FG 25, 4*24 GG	1
16	NA	GABELKONUS DIA 26, 5	1
17	NA	LENKKOPFKUGELRING 5/32	2
18	NA	LENKKOPFSCHALE DIA 30	2
19	NA	GEWINDEKONUS FG 25, 4*24 GG	1
20	NA	Scheibe 13x24x2, 5	1
21	NA	Scheibe 8, 4x17x1, 6 DIN 125	2
22	NA	SCHEIBE 17*30*3	1
23	NA	Scheibe 8,4*25*2	1
24	NA	Lagerwelle G50	1

item	ordercode	description	quantity
26	NA	Steuersaeule Hinten LH galv. blau verz. / G50	1
27	NA	Federbein 165mm, 150lbs/inch	1
28	NA	Längslenker kpl. galv. blau verz. / G50	1

Rear Fairing

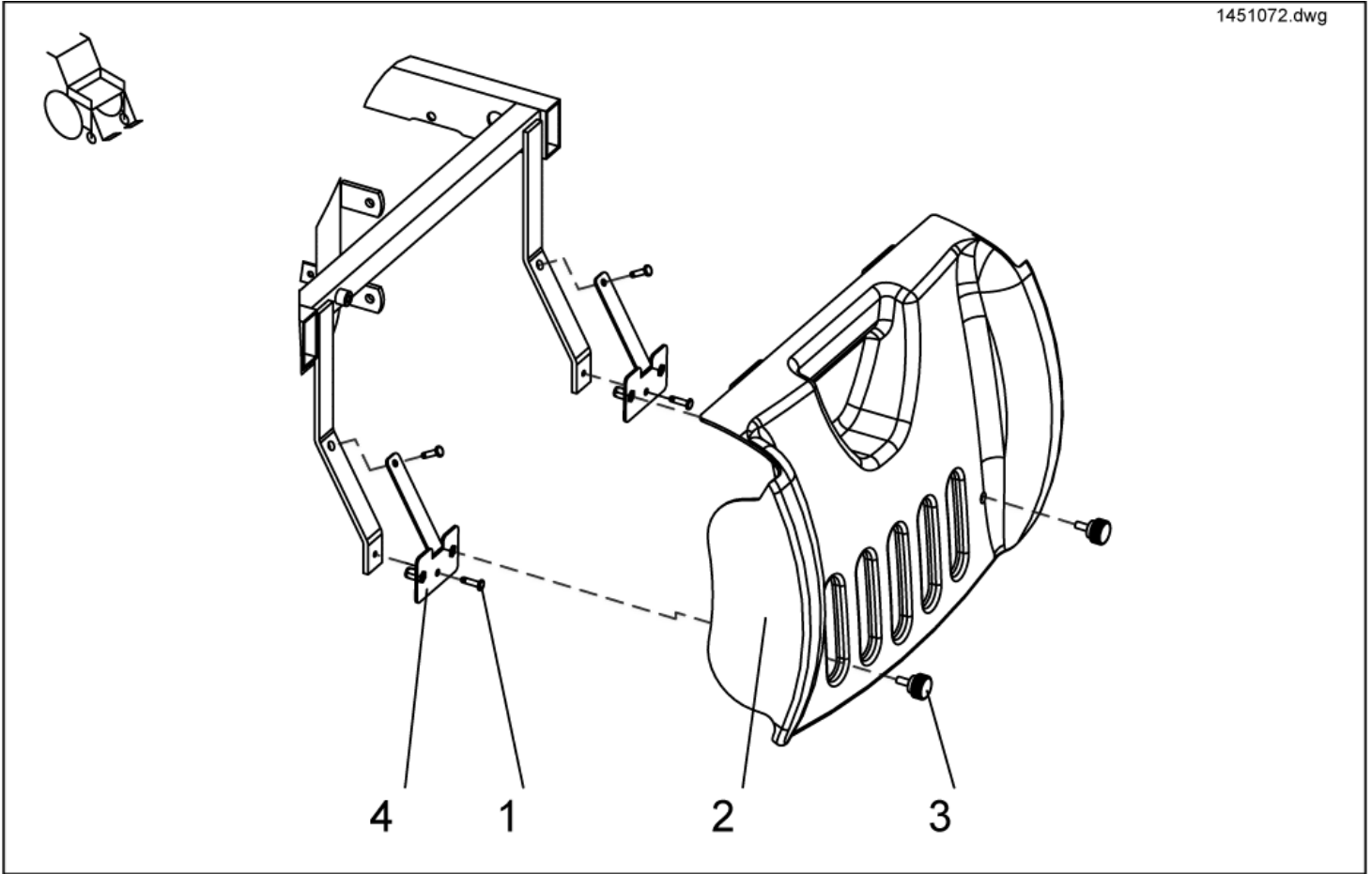
1451073.dwg



item	ordercode	description	quantity
-	1451073	REAR COVER, CPL. WITH LIGHT	1
1,2,3	1468290	REAR COVER G50, RAL 9006, WITH LOGO AND REFLECTOR	1
1	0572-06266	INVACARE LOGO	1
2	1442736	REAR LIGHT 24V, CPL.	2
3	1419274	REFLECTOR RED, ROUND	2
4	1440769	HAND WHEEL	2

Front Fairing

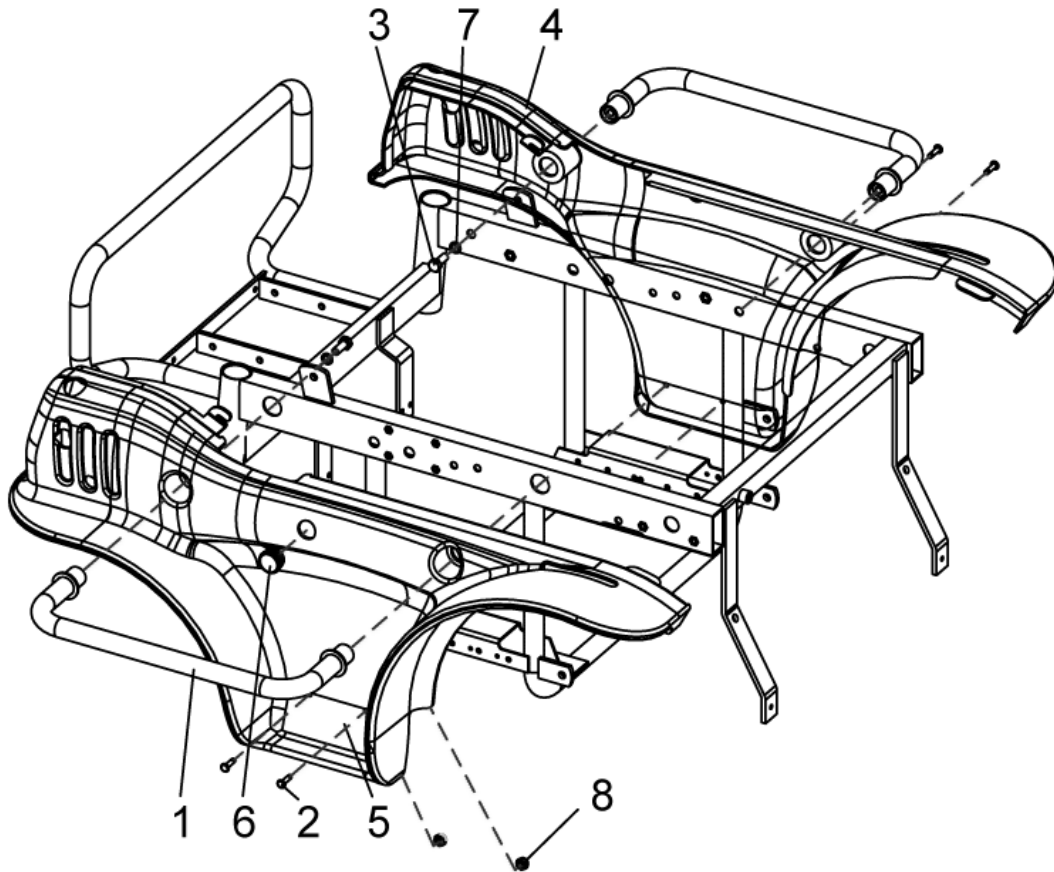
1451072.dwg



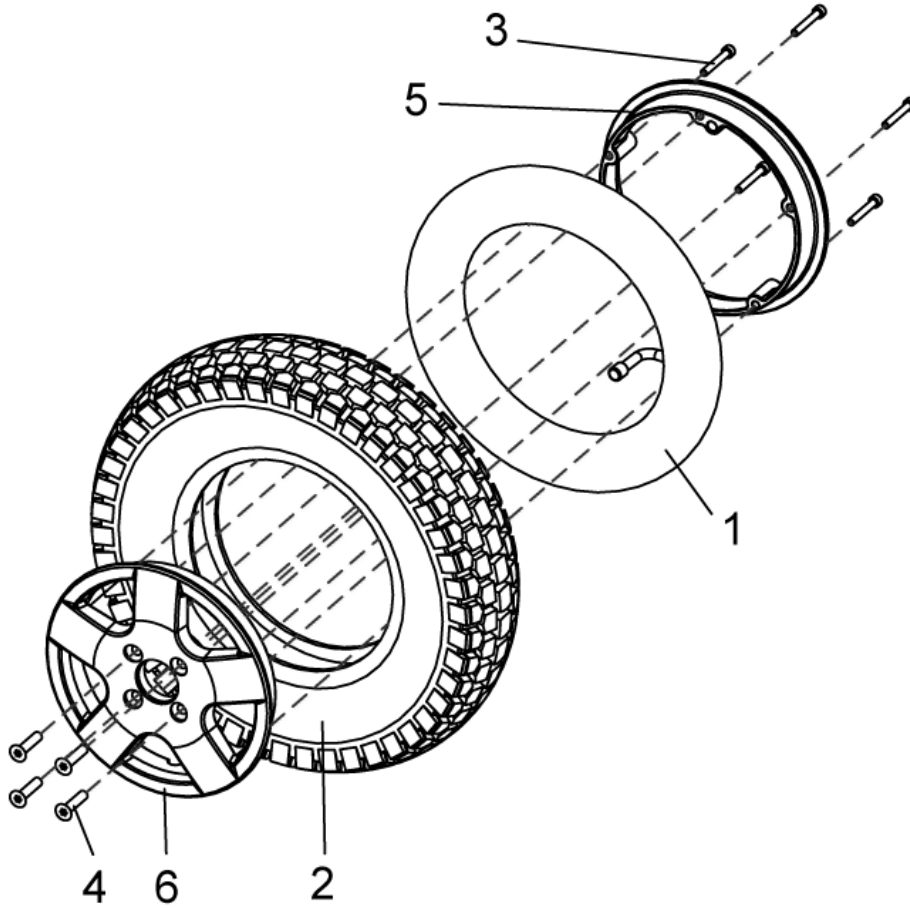
item	ordercode	description	quantity
1,2,3,4	1451072	FRONT COVER, CPL. SILVER	1
1,4	1468289	ASSEMBLY KIT FRONT COVER, G50	1
1	NA	BLIND RIVET	4
2	1486055-9006	FRONT COVER	1
3	1440769	HAND WHEEL	2
4	NA	ADAPTER, FRONT COVER, CPL.	2

Side Fairing

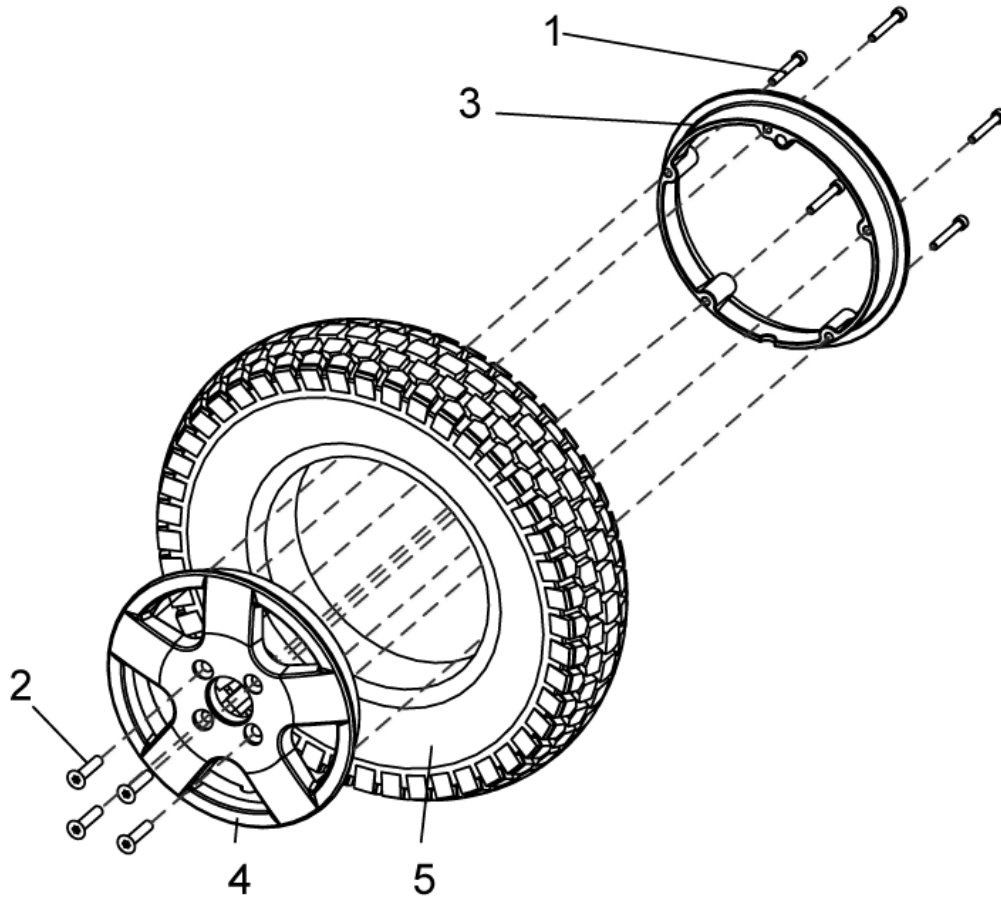
1451045.dwg



item	ordercode	description	quantity
1,3,7	1468291	HAND GRIP G50 WITH ASSEMBLY KIT	1
2,6	1468292	ASSEMBLY KIT LATERAL COVER, G50	1
1	NA	HAND GRIP CPL. RAL 9005 / G50	2
2	NA	FILLISTER HEAD SCREW ISO 7380 M5X12 10.9	4
3	NA	HEX HEAD SCREW M8*20	2
4	1488037	SKIRT GUARD BLUE, LH	1
4	1488038	SKIRT GUARD BLUE, RH	1
5	1488039	SKIRT GUARD WHITE, LH	1
5	1488040	SKIRT GUARD WHITE, RH	1
6	NA	CAP Ø25MM	1
7	NA	STAR WASHER 8 MM	2
8	NA	HEX NUT DIN 985 M5	2

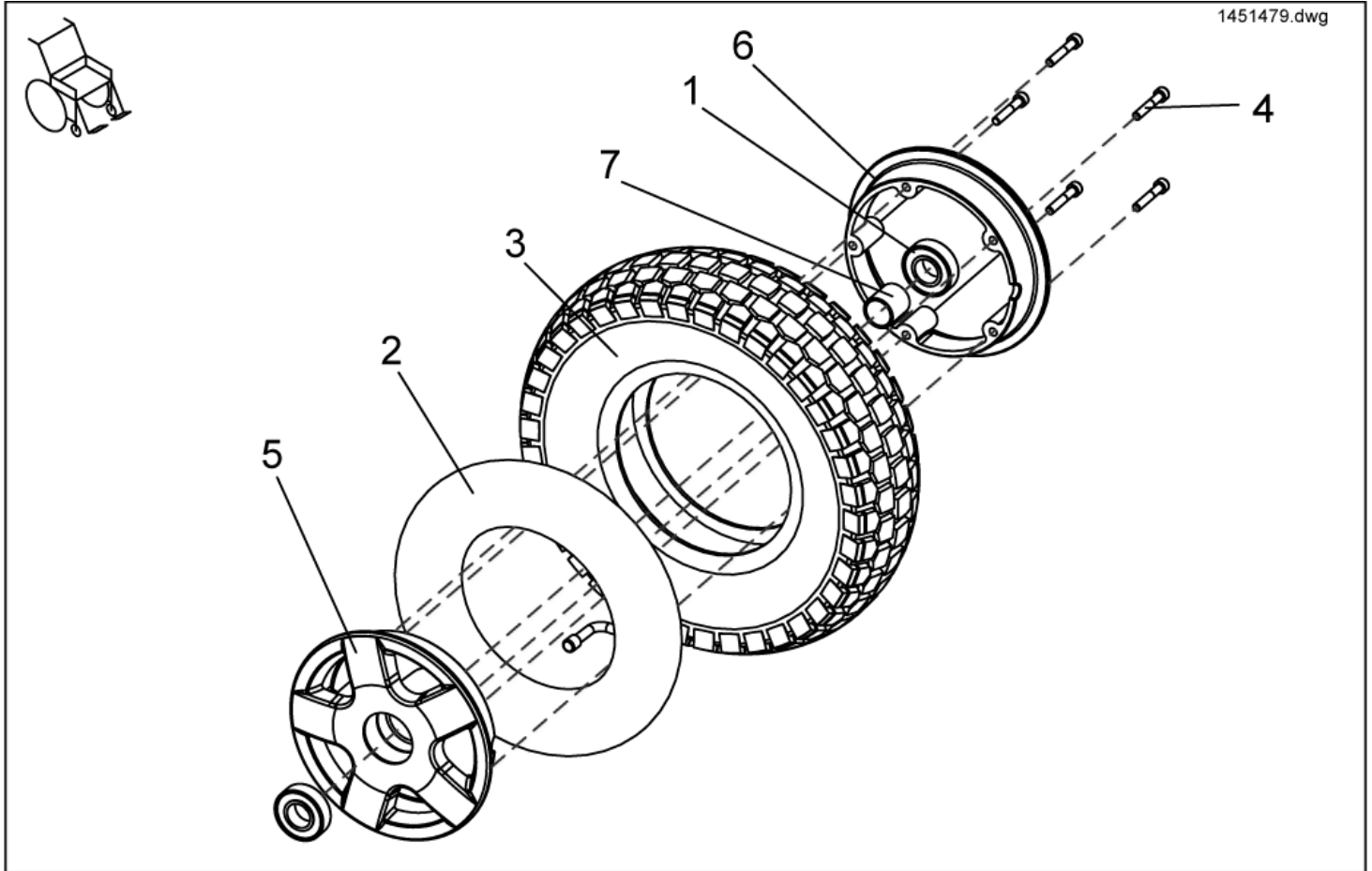


item	ordercode	description	quantity
-	SP1451074	FRONT WHEEL 4.00-8 GREY, PNEUMATIC, CPL.	1
-	SP1451075	FRONT WHEEL 4.00-8 BLACK, PNEUMATIC, CPL.	1
-	SP1451077	FRONT WHEEL 4.00-8 GREY, BREAKDOWN-PROTECTED, CPL.	1
-	SP1451078	FRONT WHEEL 4.00-8 BLACK, BREAKDOWN-PROTECTED, CPL.	1
1	1451080	TUBE 3.50-/4.00-8 JS87C G50	1
2	1450981	WHEEL 4.00-8 GREY G50	1
2	1450980	WHEEL 4.00-8 BLACK G50	1
3,4,5,6	1468293	RIM RING, CPL.	1
3	NA	SOCKET HEAD CAP SCREW M6 X 40	5
4	NA	COUNTER-SUNK SCREW ISO 10 642 M8X45 12.9 KL TX40 HEAD DIN 267-28 ZINC PLATED	4
5	NA	RIM RING 8Z IN HI SILVER-GREY STORM 3	1
6	NA	RIM RING 8Z OUT HI SILVER-GREY STORM 3 HI-GLOSS	1



item	ordercode	description	quantity
-	SP1451076	FRONT WHEEL 4.00-8 BREAKDOWN-PROTECTED, GREY, CPL.	1
1,2,3,4	1468293	RIM RING, CPL.	1
1	NA	SCREW M6*40 DIN 912	5
2	NA	BOLT 8X35 DIN 7991	4
3	NA	RIM RING 8 INCHES, INNER	1
4	NA	RIM RING, OUTER	1
5	1488416	TIRE 4.00-8 PUNCTURE-PROOF SOLID, GREY	1

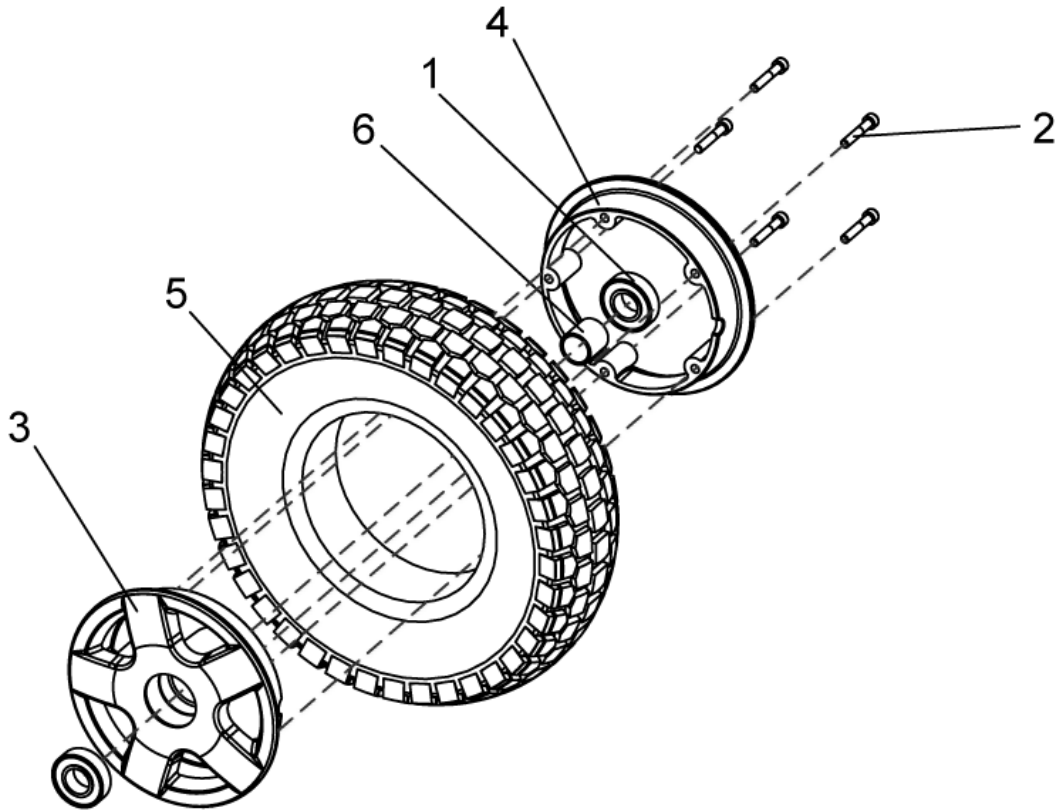
Tyres, Pneumatic



item	ordercode	description	quantity
-	SP1451479	REAR TIRE 4.10/3.50 6, GREY, COMPLETE	1
-	SP1451480	REAR TIRE 4.10/3.50 6, BLACK COMPLETE	1
-	SP1487393	REAR TIRE 4.10/3.50 6, GREY, BREAKDOWN-PROTECTED	1
-	SP1487394	REAR TIRE 4.10/3.50 6, BLACK, BREAKDOWN-PROTECTED	1
1	1417943	GROOVED BALL BEARING 6004-2SRSR	2
2	1451081	TUBE 4.10/3.50 6	1
3	1450982	WHEEL 4.10/3.50-6, GREY	
3	1450983	WHEEL 4.10/3.50-6, BLACK	1
4,5,6,7	1468294	REAR RIM RING, CPL.	1
4	NA	BOLT M6X35, DIN 912	5
5	NA	WHEEL RIM OUTER	1
6	NA	RIM RING 6 INCHES INNER	1
7	NA	SPACER SLEEVE	1

Tyres, Puncture Proof

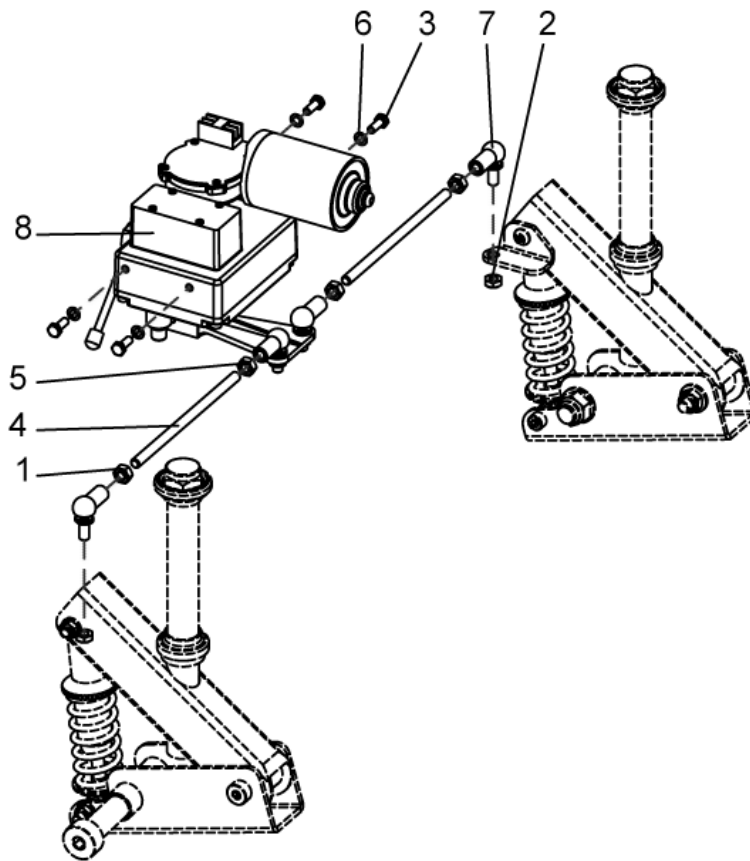
1451481.dwg



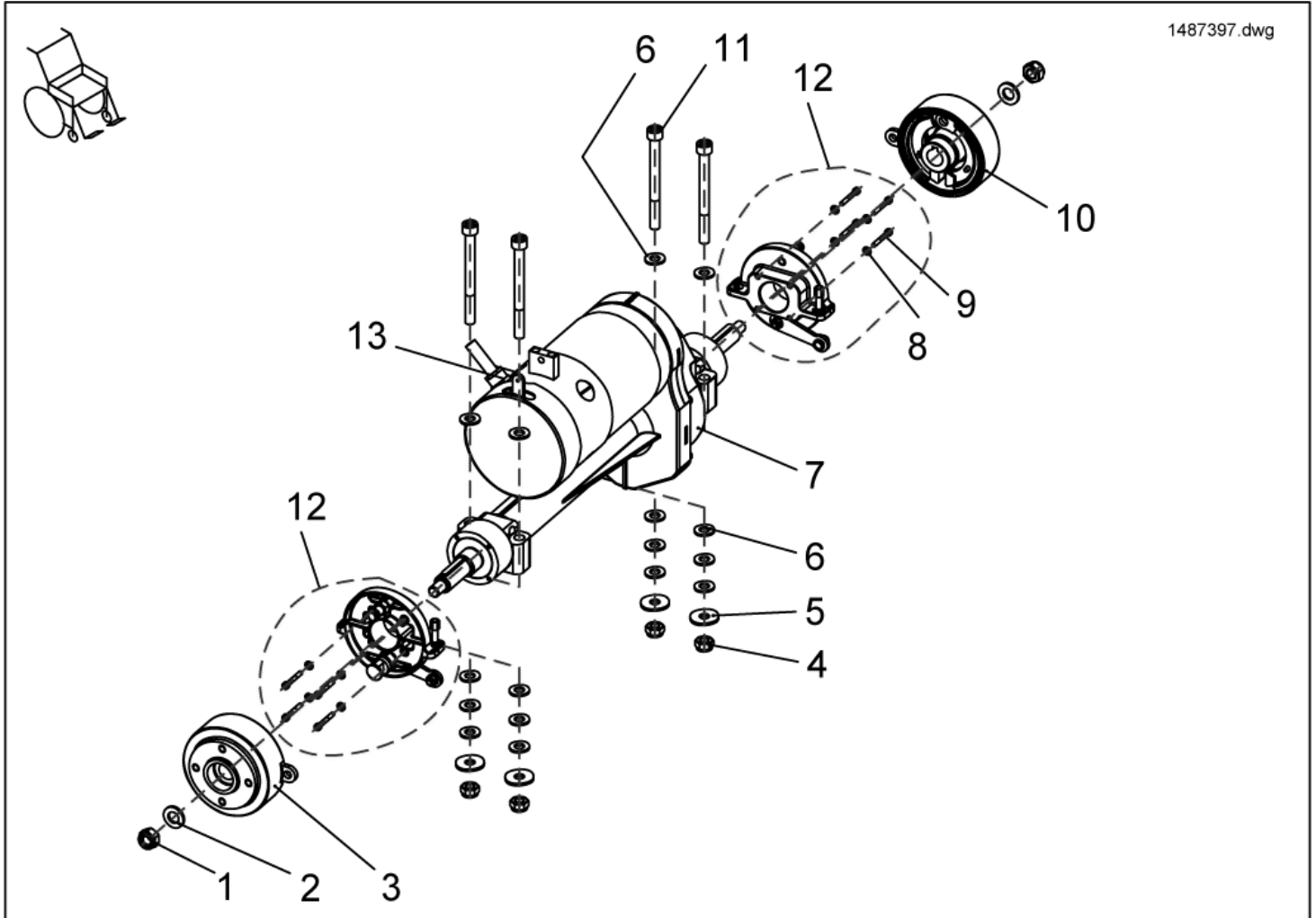
item	ordercode	description	quantity
-	SP1451481	REAR WHEEL 4.10/3.50-6 PUNCTURE-PROOF SOLID, GREY, CPL.	1
1	1417943	GROOVED BALL BEARING 6004-2SR	2
2,3,4,6	1468294	REAR RIM RING, CPL.	1
2	NA	BOLT M6X35 DIN 912	5
3	NA	WHEEL RIM OUTER	1
4	NA	RIM RING 6 INCHES INNER	1
5	1485380	TIRE 4.10/3.50-6 PUNCTURE-PROOF SOLID, GREY	1
6	NA	SPACER SLEEVE	1

Steering Column

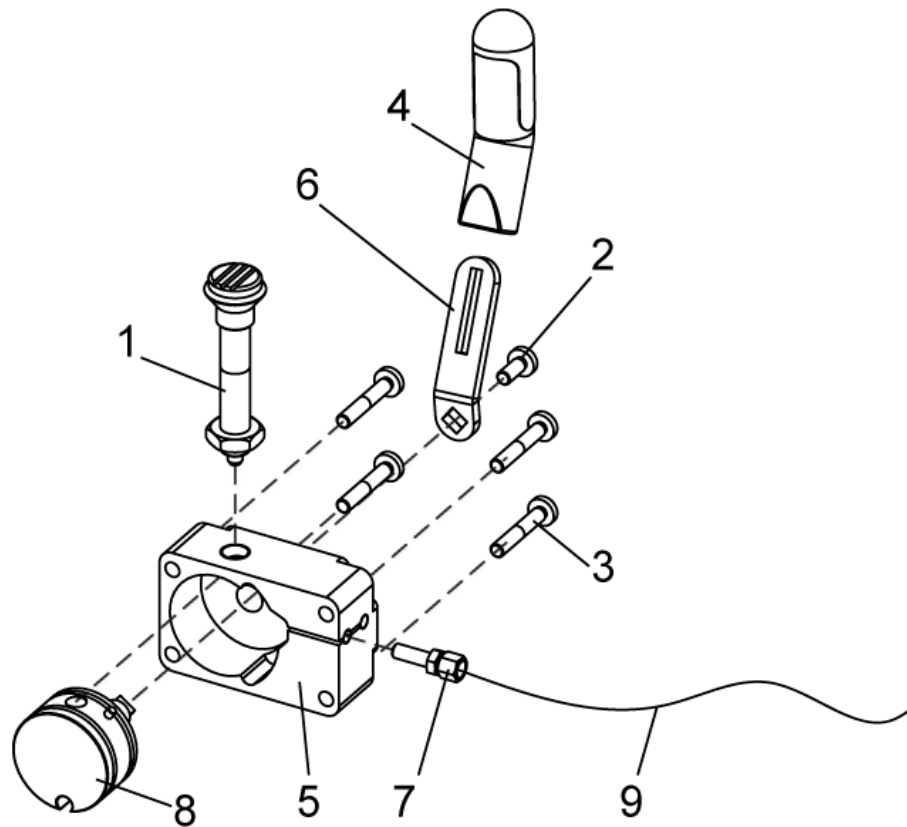
1487873.dwg



item	ordercode	description	quantity
1	F00104	HEX NUT M8	2
2	F30199	HEX NUT M8, SELF-LOCKING	2
3	D08120	HEX HEAD SCREW M6 X 16	4
4	NA	TRACE ROD 165 MM G50	2
5	F00100	HEX NUT M8 LH	2
6	5829183	LOCKING WASHER Ø6 DIN 67	1
7	N04109	SWIVEL JOINT AS 13-M8 RH	2
8	S141054	FAST STEERING SERVO UNIT-SMALL TURNING CIRCLE	1



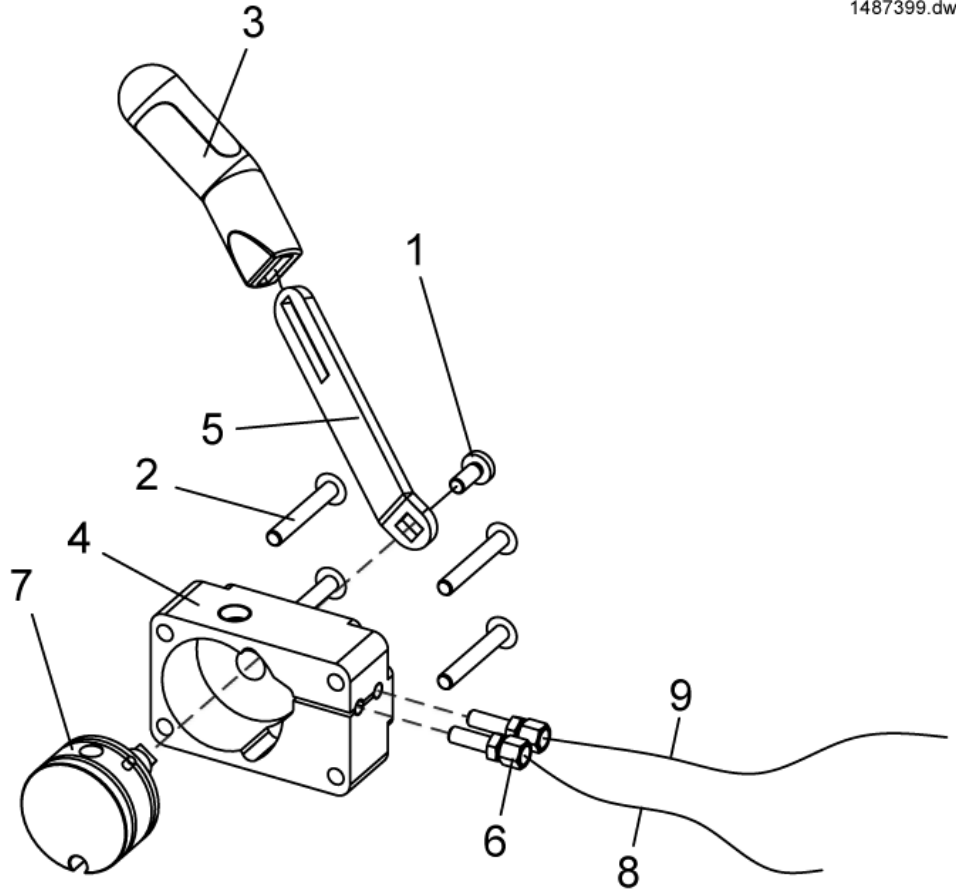
item	ordercode	description	quantity
1	F00108	DRIVE CPL. 6KM/H G50	2
2	NA	DRIVE CPL. 10KM/H G50	1
3	1415171	BRUSH CAP	1
4	F20110	CARBON BRUSHES	4
5	G10108	ASSEMBLY KIT DRIVE G50	4
6	5729179	ASSEMBLY KIT BRAKE G50, LH	16
7	1487944	ASSEMBLY KIT BRAKE G50, RH	1
8	G00103	BRAKE SHOE SET	8
9	NA	DRIVE 6 KM/H G50	8
10	NA	DRIVE 10 KM/H G50	1
11	NA	NUT DIN 985-M10-8 / BLACK GALV. ZINC-PLATED	4
12	1496075	Montage-Kit, Trommelbremse G50	1
13	1496079	Magnetbremse G50 incl. Mitnehmerscheibe und Spannstift	1



item	ordercode	description	quantity
1	1488803	FIXATION BOLT M10X1 G50 TIPP	1
2	NA	CROSS HEAD SCREW M5 X 12	1
2,4,6,	1468386	HAND GRIP UNCOUPLING, CPL.	1
3	NA	SCREW	4
4	NA	HANDLE GRIP FOR PARKING BRAKE	1
5	NA	ECCENTER F. DISENGAGING MECHANISM WITHOUT FINISH TYPHOON	1
6	NA	DISENGAGING ARM	1
7	NA	ADJUSTMENT SCREW M5X7	1
8	NA	ECCENTER DISENGAGING MECHANISM WITH PIN	1
9	NA	BOWDEN CABLE 1500MM	1
7,9	1478428	ASSEMBLY KIT BOWDEN CABLE, CPL.	1

Drive - Parking Brake

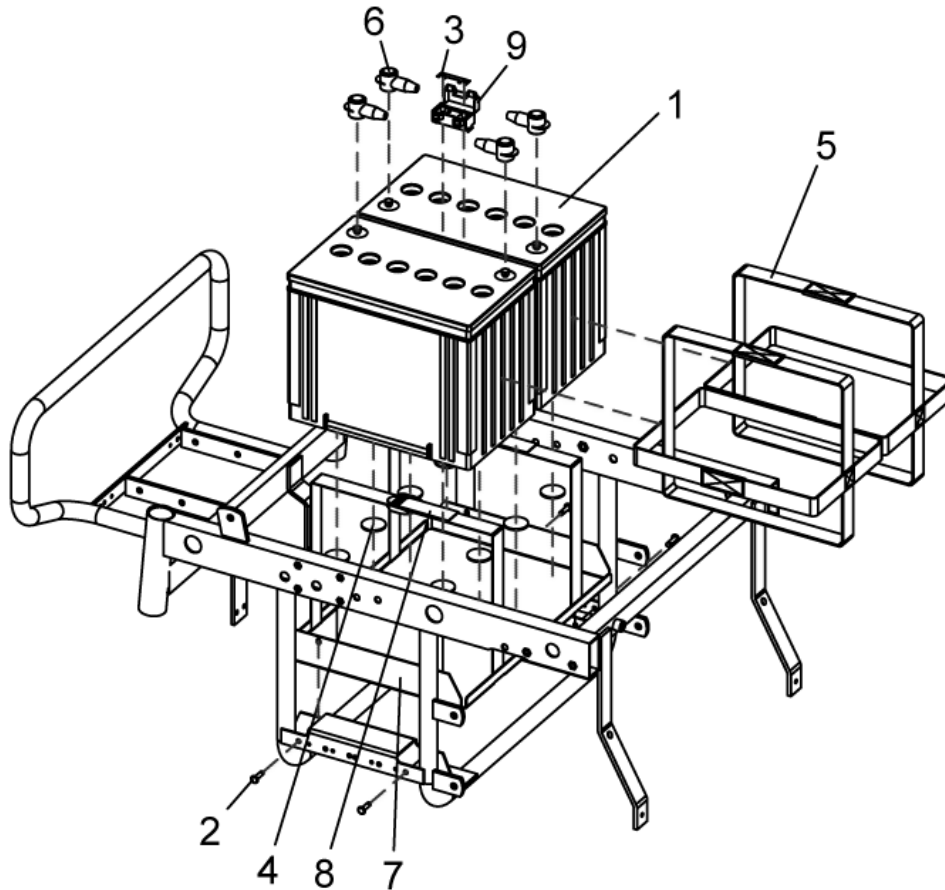
1487399.dwg



item	ordercode	description	quantity
1,2,3,4,5,6,7	SP1487399	PARKING BRAKE LH G50, CPL.	1
1,3,5	1468296	ASSEMBLY KIT BRAKE LEVER G50	1
1	NA	CROSS HEAD SCREW M5 X 12	1
2	NA	M5X35 ROUND HEAD SCREW, BLACK, QUALITY 10.9	4
3	NA	HANDLE GRIP FOR PARKING BRAKE	1
4	NA	HOUSING FOR DISANGAGING MECHANISM TORNADO/TYPHOON	1
5	NA	BRAKE LEVER GALV. BLACK ZINC-PLATED / G50	1
6	M30052	ADJUSTMENT SCREW M5X7	2
7	NA	ECCENTER F. DISENGAGING MECHANISM CPL. WITH PIN	1
8	NA	BOWDEN CABLE 1500MM	1
9	NA	BOWDEN CABLE 1500MM	1
8,9	1478428	ASSEMBLY KIT BOWDEN CABLE, CPL.	2

Battery box

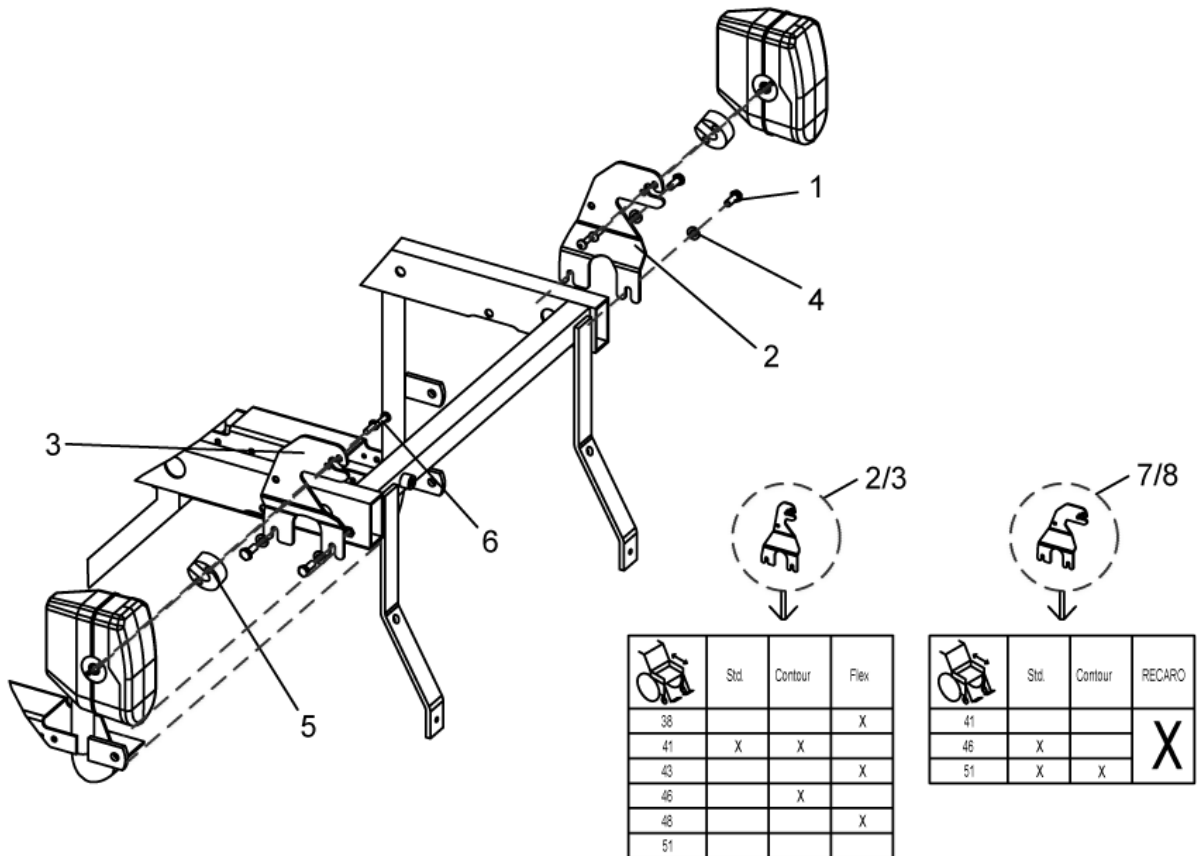
1487402.dwg



item	ordercode	description	quantity
1	1432944	BATTERY 60 AH	2
1	P50016	BATTERY 70 AH	2
1	1478675	BATTERY 97 AH	2
2	NA	POP RIVET-LSR ACD 608 AS	4
3	P12191	FUSE 50 A	1
4	S184021	RUBBER FOOT 30X2, ADHESIVE	8
5	1440403	BATTERY STRAP 60AH	1
5	S184022	BATTERY STRAP 70AH	1
5	1421655	BATTERY STRAP	1
6	P52996	BATTERY TERMINAL COVER 60AH/70AH	4
6	1449645	BATTERY POLE COVER 97 AH	4
2,4,7	1468298	BATTERY BOX 60AH/70AH, CPL.	1
2,4,7	1468299	BATTERY BOX 97 AH, CPL.	1
7	S184020.99	BATTERY BOX 60AH/70AH	1
7	1450599-0002	BATTERY BOX 97 AH	1
8	F384020	BATTERY STRAP	2
9	P12293	FUSE BRACKET	1
----	SP1451014	RETROFITTING KIT G50 60/70 AH TO 97 AH	1
----	SP1487402	RETROFITTING KIT G50 97 AH TO 60/70AH	1

Light Holder

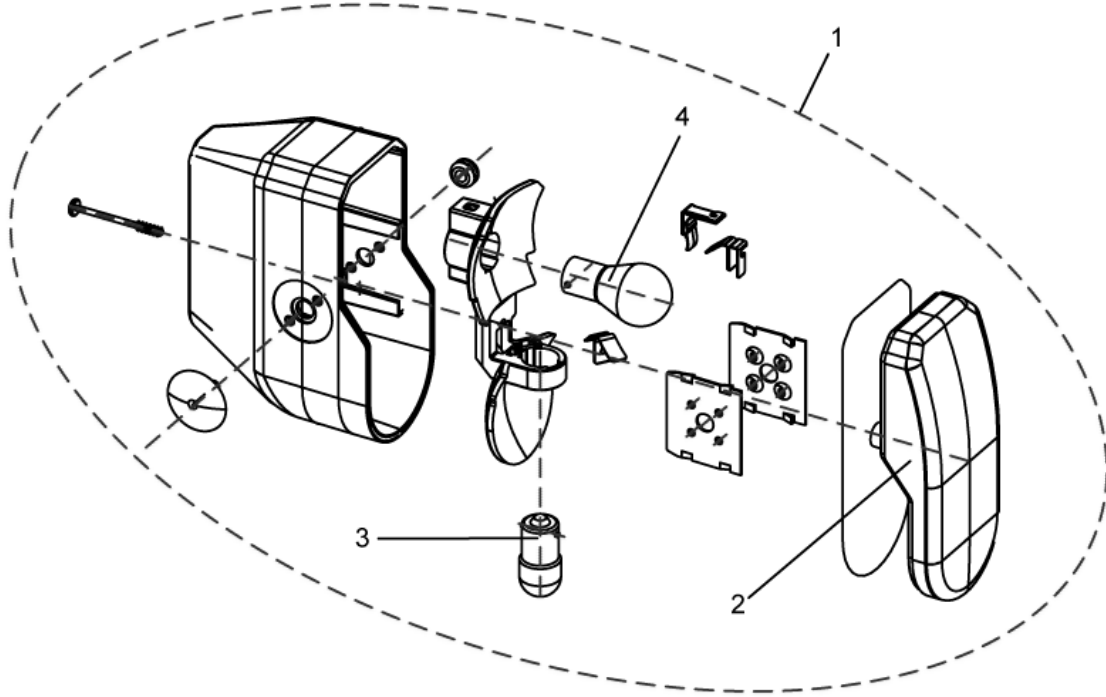
1451046.dwg



item	ordercode	description	quantity
1	D50049	SOCKET HEAD CAP SCREW M6 X 20	4
2	1487717-9005	LIGHT HOLDER LH RAL 9005 / G50	1
3	1487716-9005	LIGHT HOLDER RH RAL 9005 / G50	1
4	G10105	TRAY-LH CONTROL, TRANSPARENT	1
5,6	SP1422822	ASSEMBLY KIT FOR SEAT WIDTH STARTING FROM 43CM, HEADLIGHT, LEFT AND RIGHT	1
7	1493157-9005	Lampenhalter LH RAL 9005 / G50	1
8	1493156-9005	Lampenhalter RH RAL 9005 / G50	1

Front Light

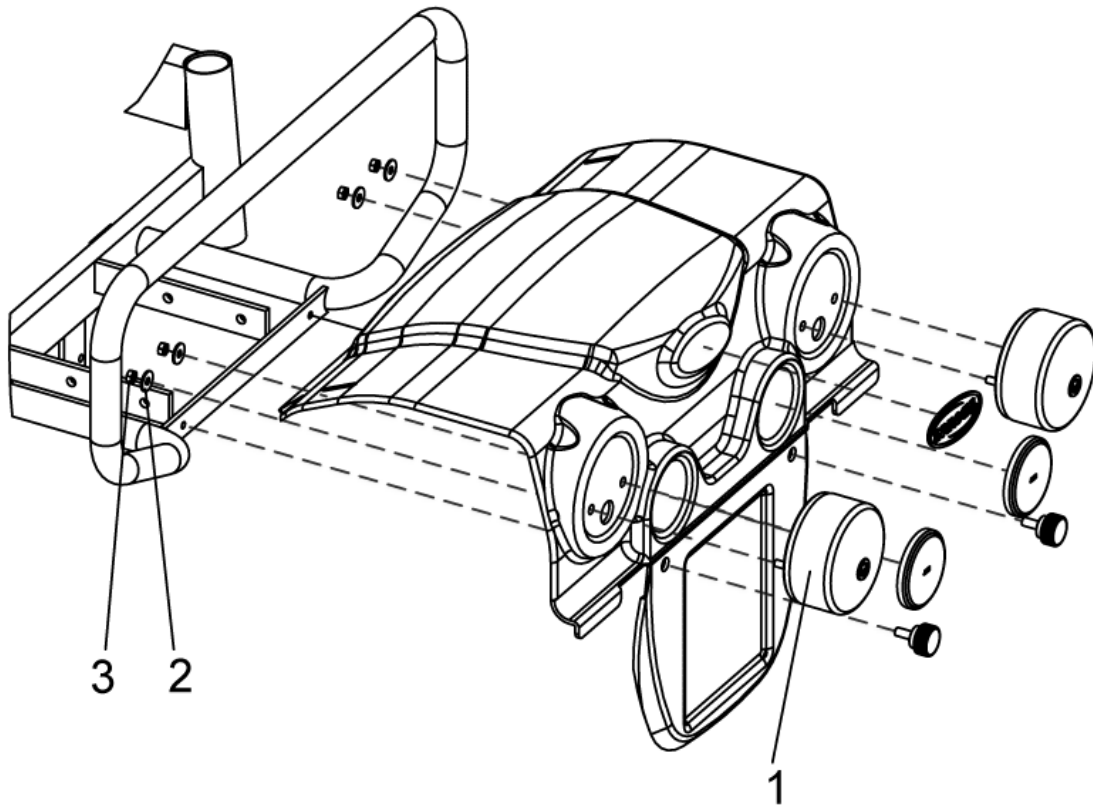
1420412.dwg



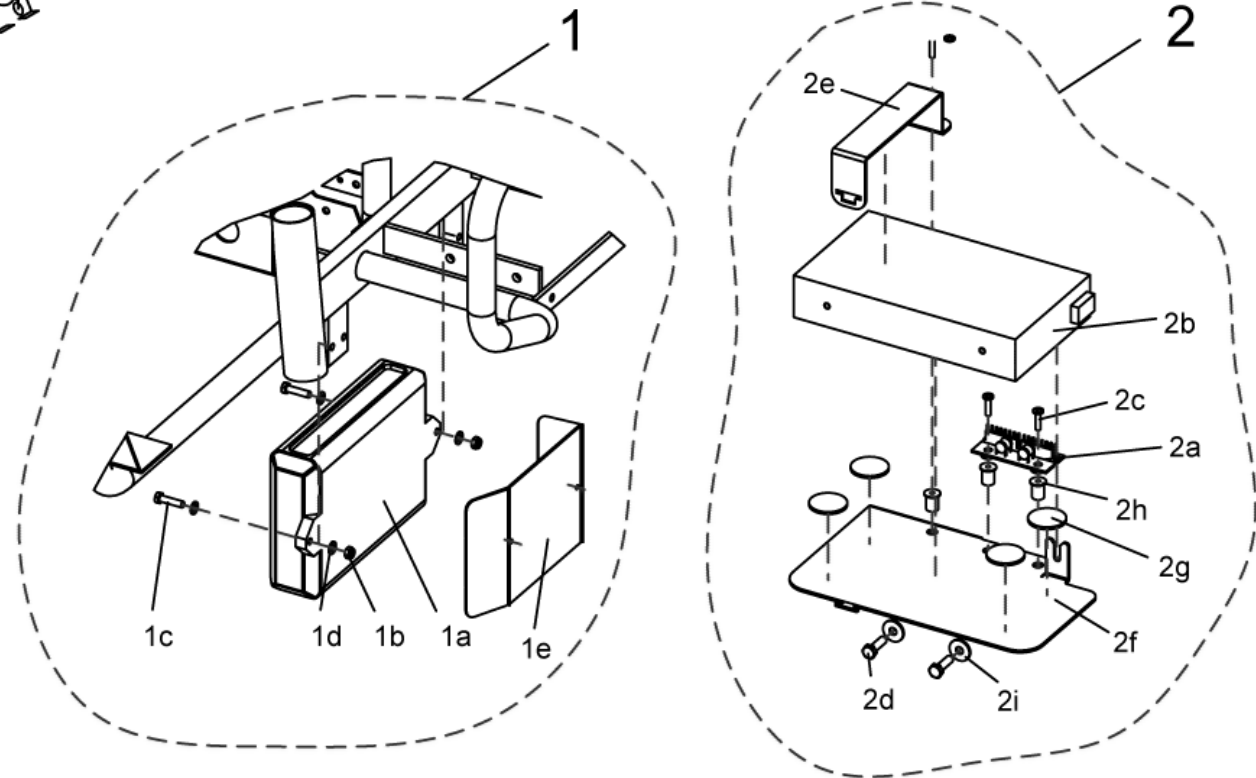
item	ordercode	description	quantity
1	1420412	HEADLIGHT 24V, RIGHT, CPL.	1
1	1420413	HEADLIGHT 24V, LEFT, CPL.	1
2	1433737	GLASS FOR FRONT LIGHT	1
3	P31108	LIGHT BULB 24V/10W	1
4	1419271	LIGHT BULB 24V/21W YELLOW	1

Rear Light

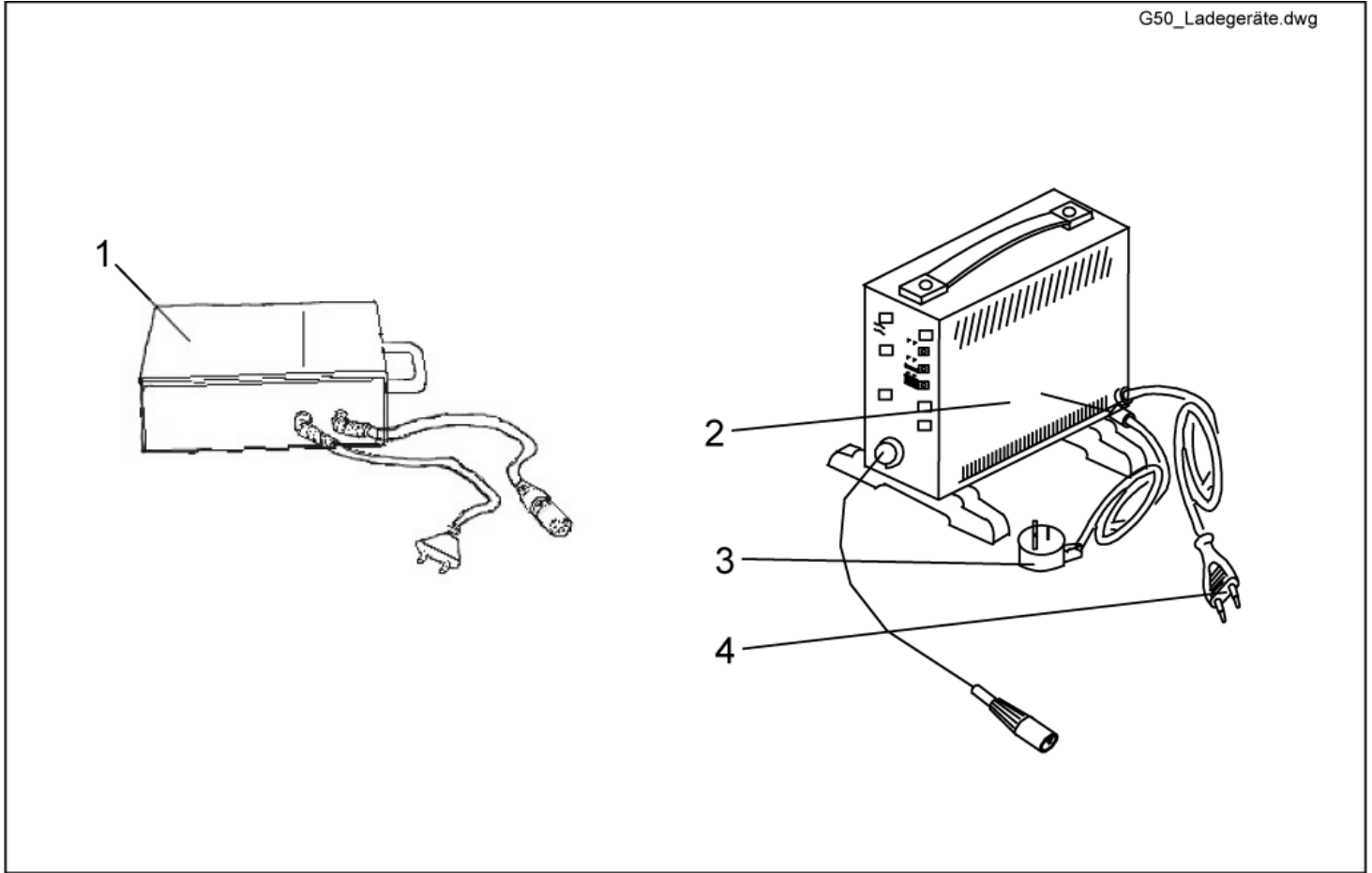
1442736.dwg



item	ordercode	description	quantity
1	1468295	REAR LIGHT WHITE/RED CPL.	2
2	NA	WASHER DIN 5,3 9021	4
3	NA	NUT M5 DIN 934	4



item	ordercode	description	quantity
1	SP1451474	ACS-ELECTRONICS DX-PMBS, CPL.	1
1a	NA	ACS-ELECTRONICS DX-PMBS	1
1a	1451448	ACS-ELEKTRONIK DX-PMB2-SAS	1
1b	NA	NYLOC NUT M5, SELF-LOCKING	2
1c	NA	HEX HEAD SCREW M5 X 20	2
1d	NA	WASHER 5, 3X10X1	4
1e	NA	Spritzschutz G50	1
2	SP1451476	ACS-SERVO LIGHT MODULE DX-SLM-AS 6 KM/H, CPL.	1
2a	NA	CENTRAL LIGHT DISTRIBUTOR CIRCUIT BOARD	1
2b	P10069	ACS-SERVO LIGHT MODULE DX-SLM-AS 6 KM/H	1
2c	NA	CROSS HEAD SCREW M4 X 16	3
2d	NA	HEX HEAD SCREW M6 X 20	2
2e	NA	HANDLE SLM G50	1
2f	NA	SUPPORT PLATE 2 LIGHTING MODULE GALV. BLUE ZINC-PLATED / G50	1
2g	NA	RUBBER FOOT 30X2, ADHESIVE	4
2h	NA	GETO WELL NUT M4	3
2i	NA	WASHER 6.4 X 18 X 1,6 ZINC-PLATED	2
-	P10081	ACS-CLAM (LIGHTING/ACTUATOR MODULE COMBINED)	1



item	ordercode	description	quantity
1	5813987	BATTERY CHARGER 8A GI POPULAR	1
1	5813986	BATTERY CHARGER 12A	1
2	P51981	BATTERY CHARGER 8 A WITH XLR CONNECTION, WITHOUT MAINS CABLE	1
3	P21080	MAINS CABLE GCB-0403 WITH PLUG FOR UK	1
4	P21079	MAINS CABLE GCB-0401 CONTINENTAL	1

Cables

ACS-Buscables

ordercode	60Ah / 70Ah	97Ah
1419370	X	
1467986		X

Battery cable with fuse and holder

ordercode	60Ah / 70Ah	97Ah
1419369	X	
1467985		X

ACS-Buscables

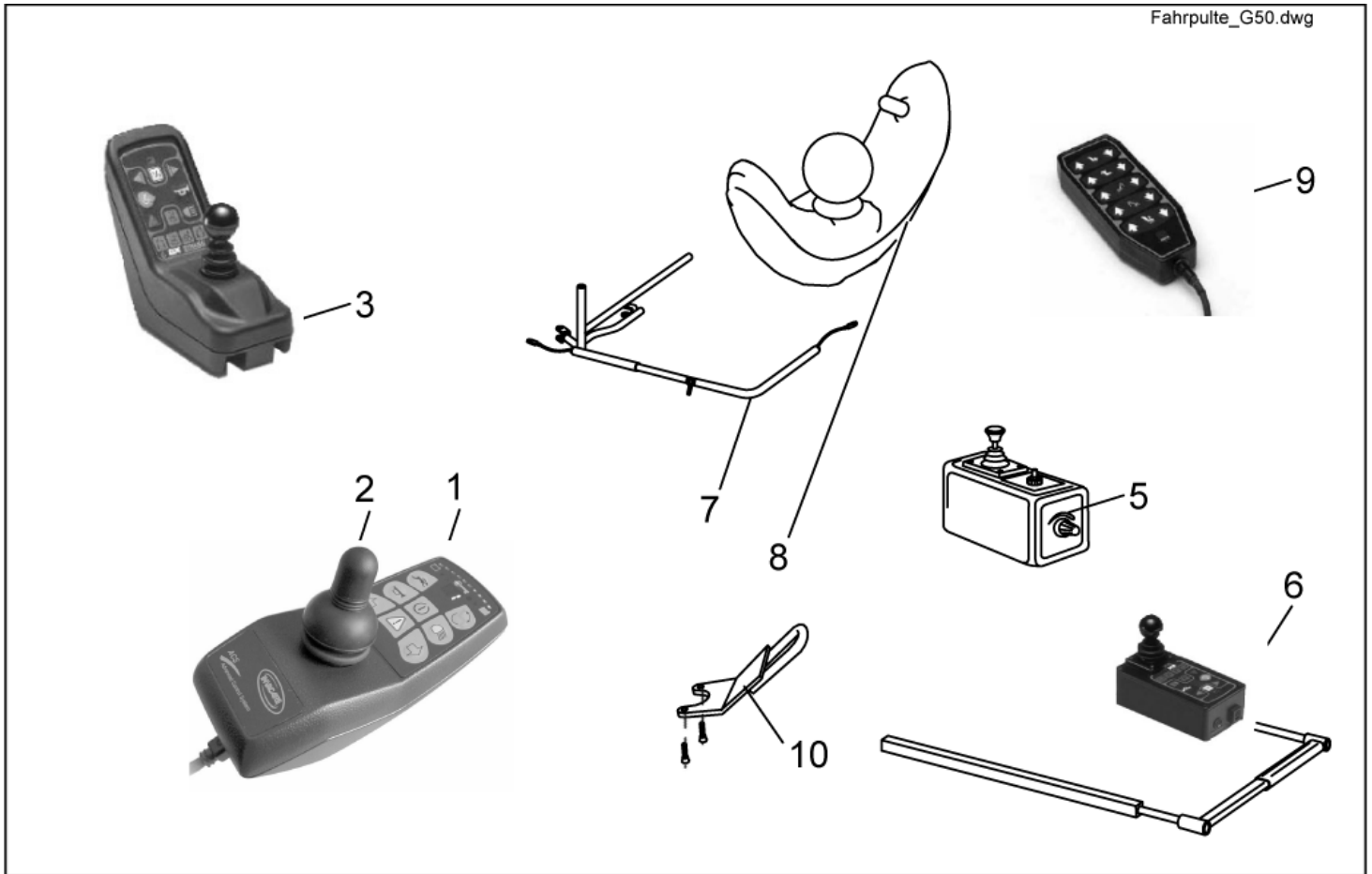
ordercode	ACS with Lights with all Actuators	PM-->SLM	ACS with Lights without Lifter
GSM63016	X		
GSM63003		X	X

Main cable harnesses

ordercode	ACS Lights only	ACS without Lights
1488948		X
1491094	X	

Remotes

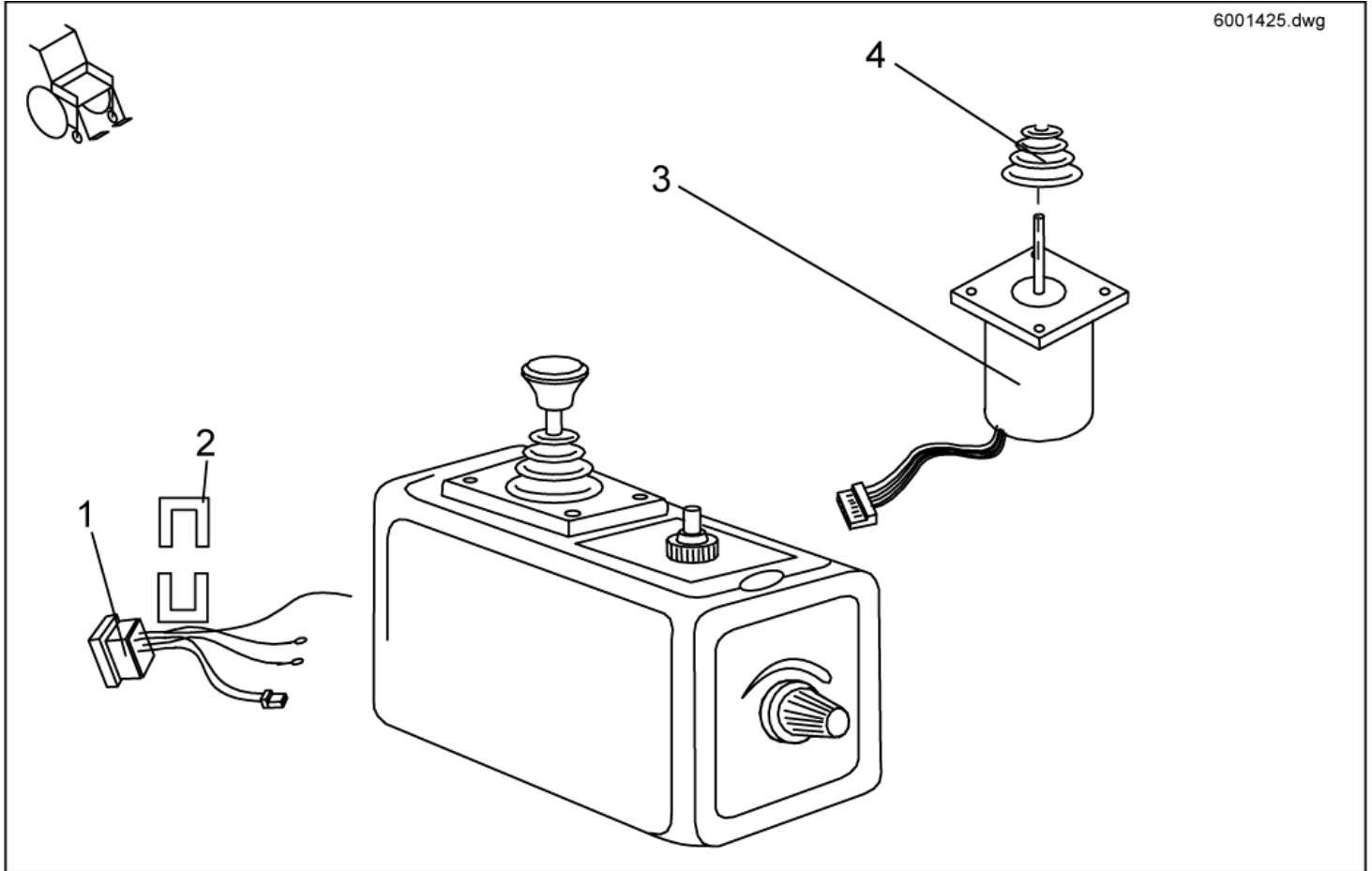
Fahrpulte_G50.dwg



item	ordercode	description	quantity
1,2	1436541	REMOTE REM 24 SD	1
2	Z183229	JOYSTICK KNOB CPL.	1
1,2	SP1436544	ATTENDANT JOYSTICK BOX REM 24SD	1
-	GSM63003	ACS BUS CABLE L=300 MM	1
-	GSM63016	ACS-BUS CABLE L=1600 MM	1
-	1440424	ACS-BUS CABLE LONG VERSION	1
3	1419205	JOYSTICK BOX REM 34 (DOLPHIN)	1
5	6001425	ACS CTRL. FOR ATTENDANT SWITCHABLE	1
6	SP1422799	SWING-OUT MIDDLE CONTROL LH CPL.	1
6	SP1422800	SWING-OUT MIDDLE CONTROL RH CPL.	1
7	SP1422943	ASSEMBLY KIT FOR SWING-OUT CHIN CONTROL, MANUAL HORIZONTAL, LH CPL.	1
7	SP1422942	ASSEMBLY KIT FOR SWING-OUT CHIN CONTROL, MANUAL HORIZONTAL, RH CPL.	1
7	SP1422945	ASSEMBLY KIT FOR SWING-OUT CHIN CONTROL, ELECTRIC HORIZONTAL, LH CPL.	1
7	SP1422944	ASSEMBLY KIT FOR SWING-OUT CHIN CONTROL, ELECTRIC HORIZONTAL, RH CPL.	1
7	SP1422946	ASSEMBLY KIT FOR SWING-OUT CHIN CONTROL, ELECTRIC VERTICAL, CPL.	1
8	SP1422801	ACS CHIN CONTROL LH CPL.	1
8	SP1422802	ACS CHIN CONTROL RH CPL.	1
9	F382007	ARC5 CONTROL CPL.	1
10	SP1422828	PROTECTIVE BUMPER F. REM 24 REMOTE CPL.	1
-	6001450	ACS-HAND PROGRAMMER, INSTRUCTIONS IN FRENCH, GERMAN, SPANISH	1
-	P10062	ACS PROGRAMMING KIT (WIZARD SOFTWARE)	1
-	SP1419695	MAGNETIC KEY WITH POUCH CPL.	1

Attendant Control, Switchable

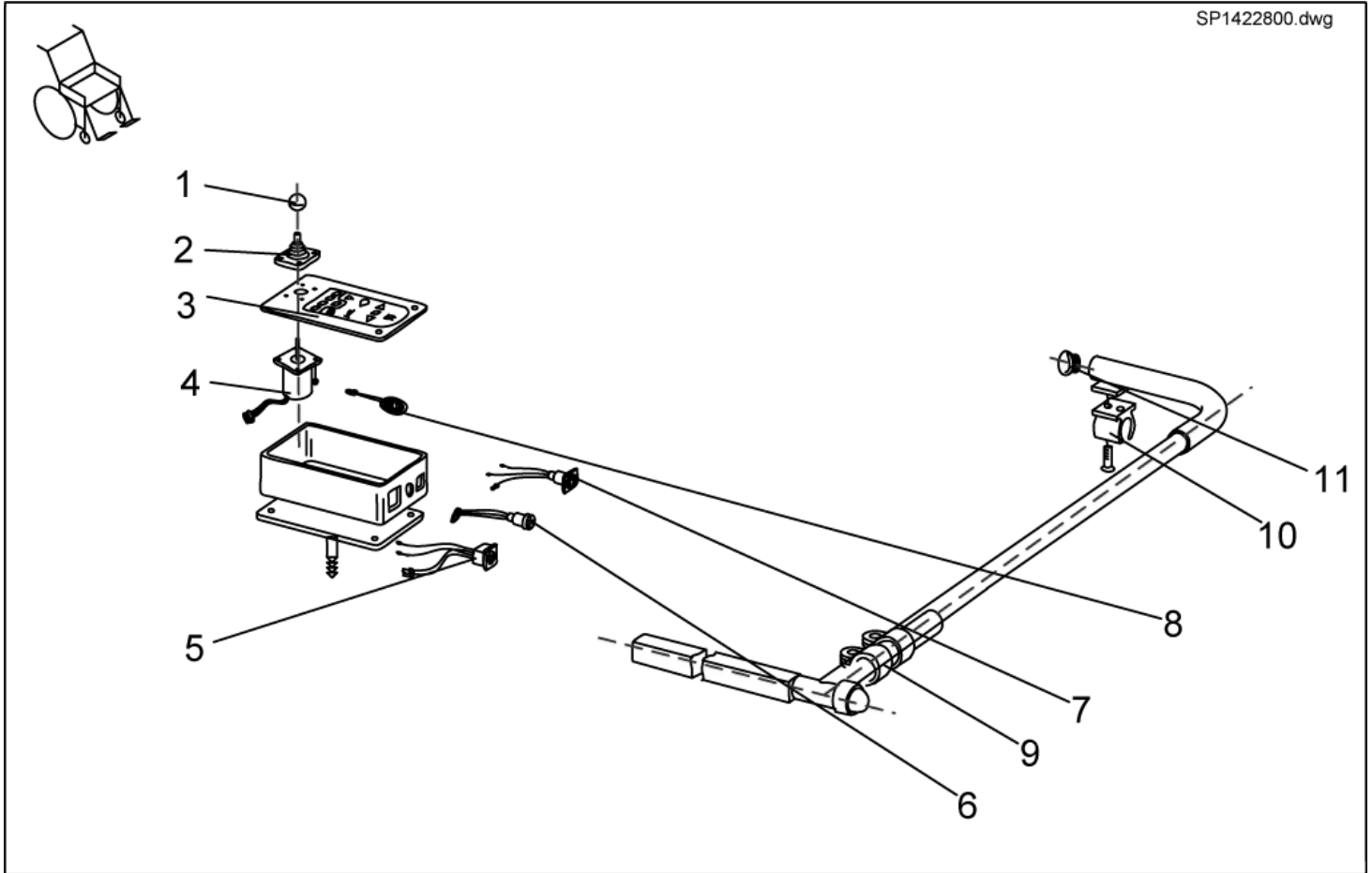
6001425.dwg



item	ordercode	description	quantity
1	P41105	BUS CABLE SOCKET	1
2	GME61927	FIXING CLAMP FOR ACS BUS CONNECTOR	1
3	P10304	ACS JOYSTICK FOR STANDARD REMOTE	1
4	Z183001A	RUBBER GAITER FOR ACS REMOTE	1

Middle Control

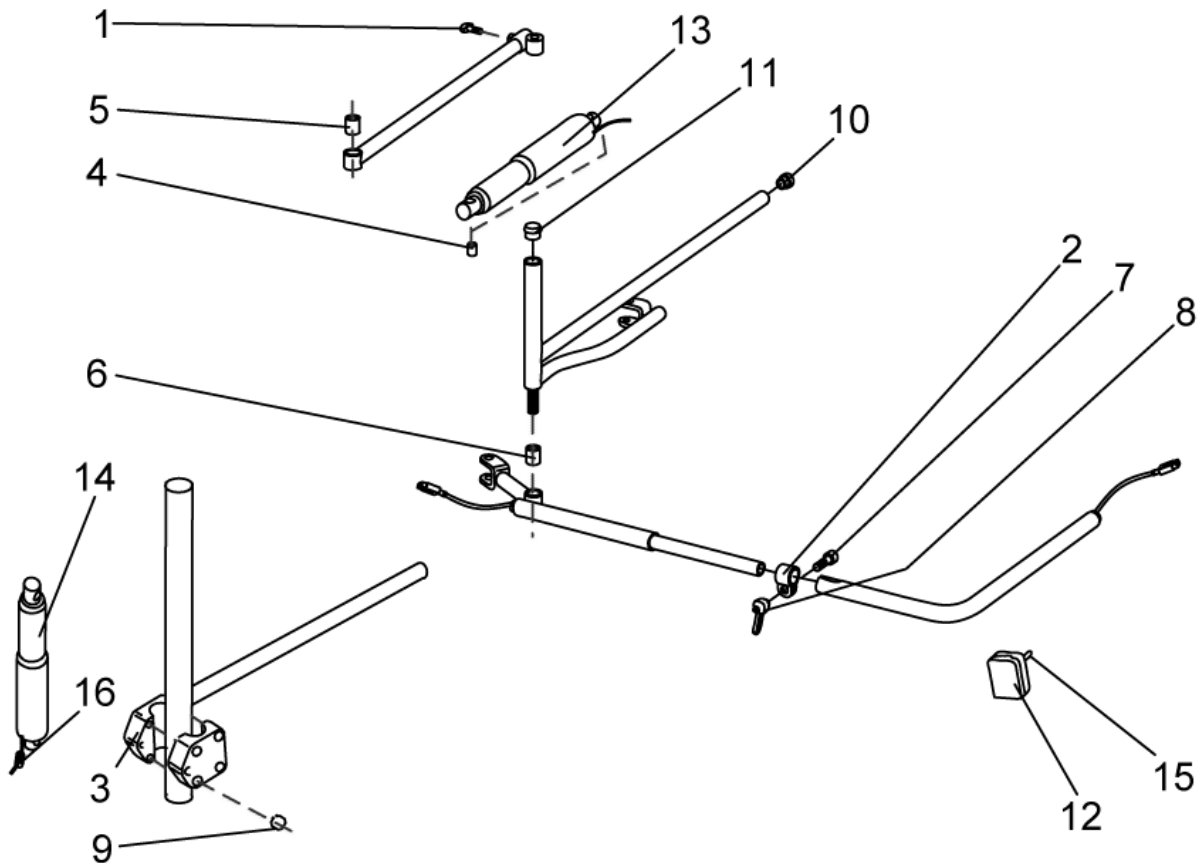
SP1422800.dwg



item	ordercode	description	quantity
1,2,3,4,5	P10066	ACS-TRAY CONTROL BOX	1
1	L36999	KNOB FOR JOYSTICK 32 MM, HOLE 5.8 MM	1
2	Z183001A	RUBBER GAITER FOR ACS REMOTE	1
3	P30907	FOIL KEYPAD FOR TABLE REMOTE	1
4	GSM55120	ACS-JOYSTICK WITH 180MM CABLE	1
5	P41108	ACS-BUS CABLE SOCKET	1
6	P41107	PROGRAMMER SOCKET	1
7	P41106	CHARGER SOCKET	1
8	P30493	HORN	1
9	5006720	CLAMP 22 MM	2
10	Z16001A	CLAMP	1
11	L01008	TUBE END PLUG SL 22	2

Chin Control Swing-Away Mechanism

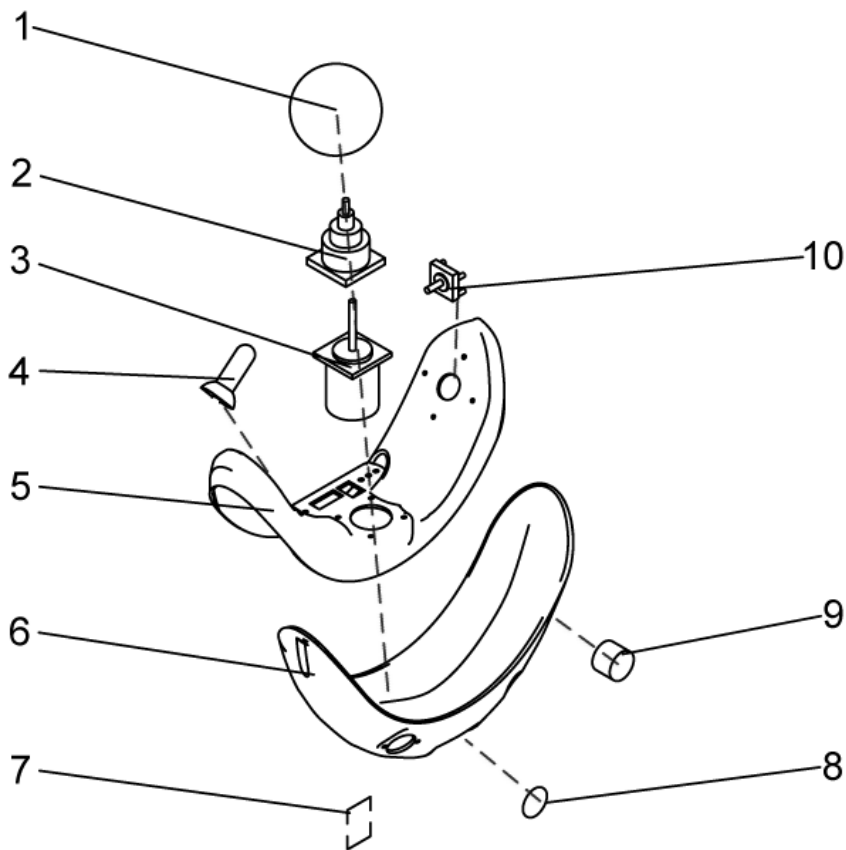
F3_Kinn_Abschwenk.dwg



item	ordercode	description	quantity
1	L31001	WING SCREW M6 X 10	1
2	5006720	CLAMP 22 MM	1
3	Z12009A	CLAMP	2
4	4000665-0002	SPACER BUSH 10X1X22.5	2
5	A17012A	BUSH RD. 18 X 22	1
6	Z131009A	BUSH RD. 18 X 3 X 22	1
7	E30101	CUP HEAD NIBBED BOLT M8 X 25	1
-	L01041	SKS NUT CAP M8	2
-	L01037	SKS NUT CAP M12	2
8	L32901	LEVER M8, BLACK	1
9	K22103	SECURING RING OUTER A10	1
10	L01049	TUBE END PLUG SL 18	2
11	L01008	TUBE END PLUG SL 22	4
12	L90994	MULTIBOX MB PO655035, SMALL	1
13	P00082	ACTUATOR LA 22.5E-75-24 INCL. CABLE AND SWITCH	1
14	P00081	ACTUATOR LA 22.5E-100-24 WITH STOP-SWITCH	1
-	P12194	POLYSWITCH FUSE RXE 135	1
15	P30109	TOGGLE SWITCH SINGLE POLE	1
15	Z183011A	TOGGLE SWITCH EXTENSION	1
16	P09596	FERRITE SLEEVE C=8 D=1	1

Chin Control

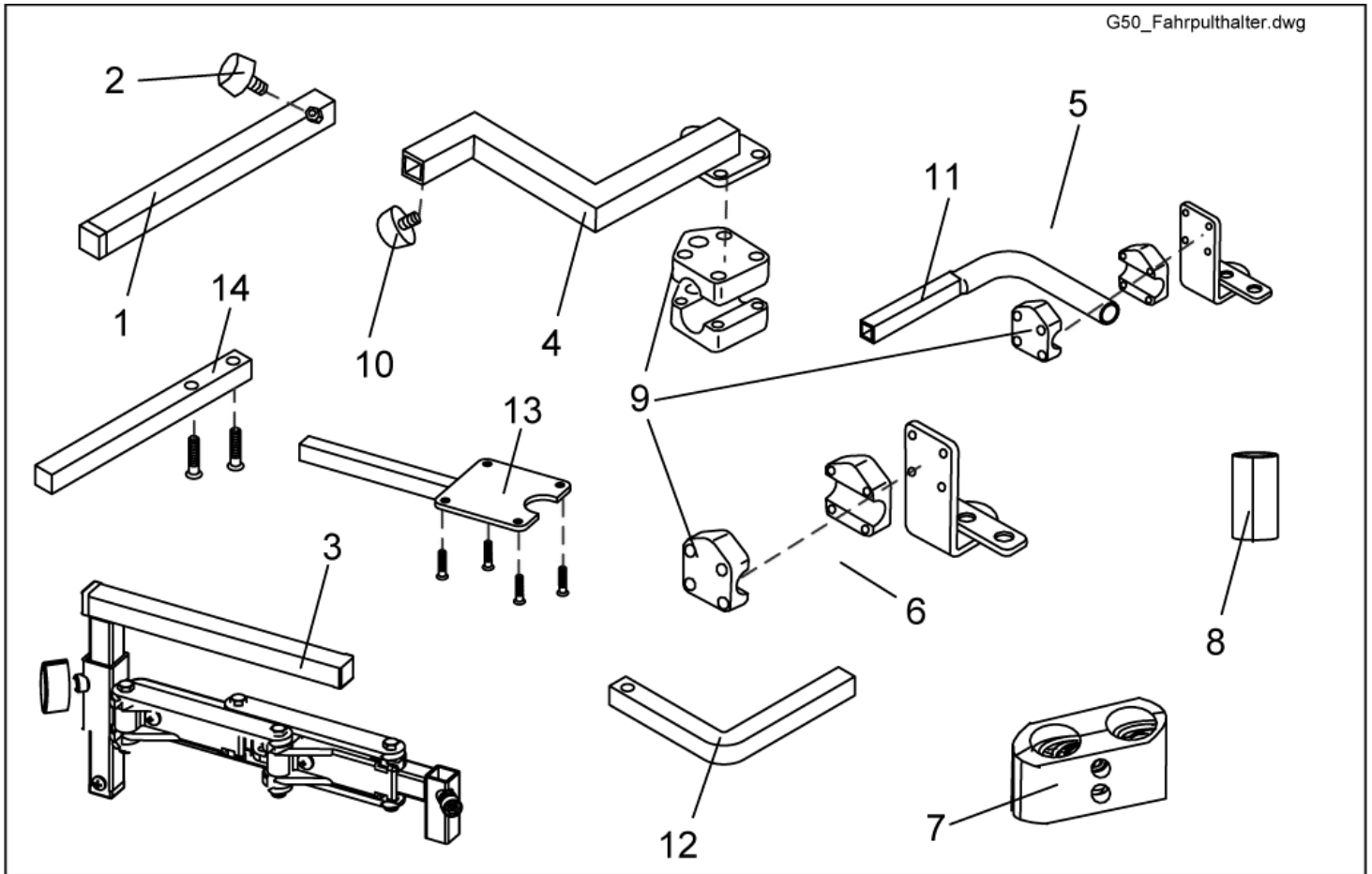
SP1422802.dwg



item	ordercode	description	quantity
1	Z183265	FOAM CONTROL KNOB CPL.	1
2	Z183001A	RUBBER GAITER FOR ACS REMOTE	1
3	P10304	ACS JOYSTICK WITH CONNECTING CABLE	1
4	Z183229	JOYSTICK KNOB CPL.	2
5	F383019	UPPER HOUSING FOR CHIN CONTROL	1
6	Z183242	LOWER HOUSING FOR CHIN CONTROL LH	1
6	Z183241	LOWER HOUSING FOR CHIN CONTROL RH	1
7	P41106	CHARGER SOCKET	1
8	T95099	O-RING 14-3 MM	1
9	P41104	PROGRAMMER SOCKET	1
9	P41108	ACS-BUS CABLE SOCKET	1
9	P41106	CHARGER SOCKET	1
10	Z183243	ACS-CHIN CONTROL JOYSTICK SWITCH LH	1
10	Z183244	ACS-CHIN CONTROL JOYSTICK SWITCH RH	1
-	P10475	STICKER SET (ACS CHIN CONTROL)	1
-	P09594	FERRITE SLEEVE C=6.4,D=2 TDK ZCAT 1325-0530A	1
-	P30499	HORN F/YMB 24 (DIGISOUND)	1
-	Z183048	HORN CLAMP	1
-	GME61927	FIXING CLAMP FOR ACS BUS CONNECTOR	2

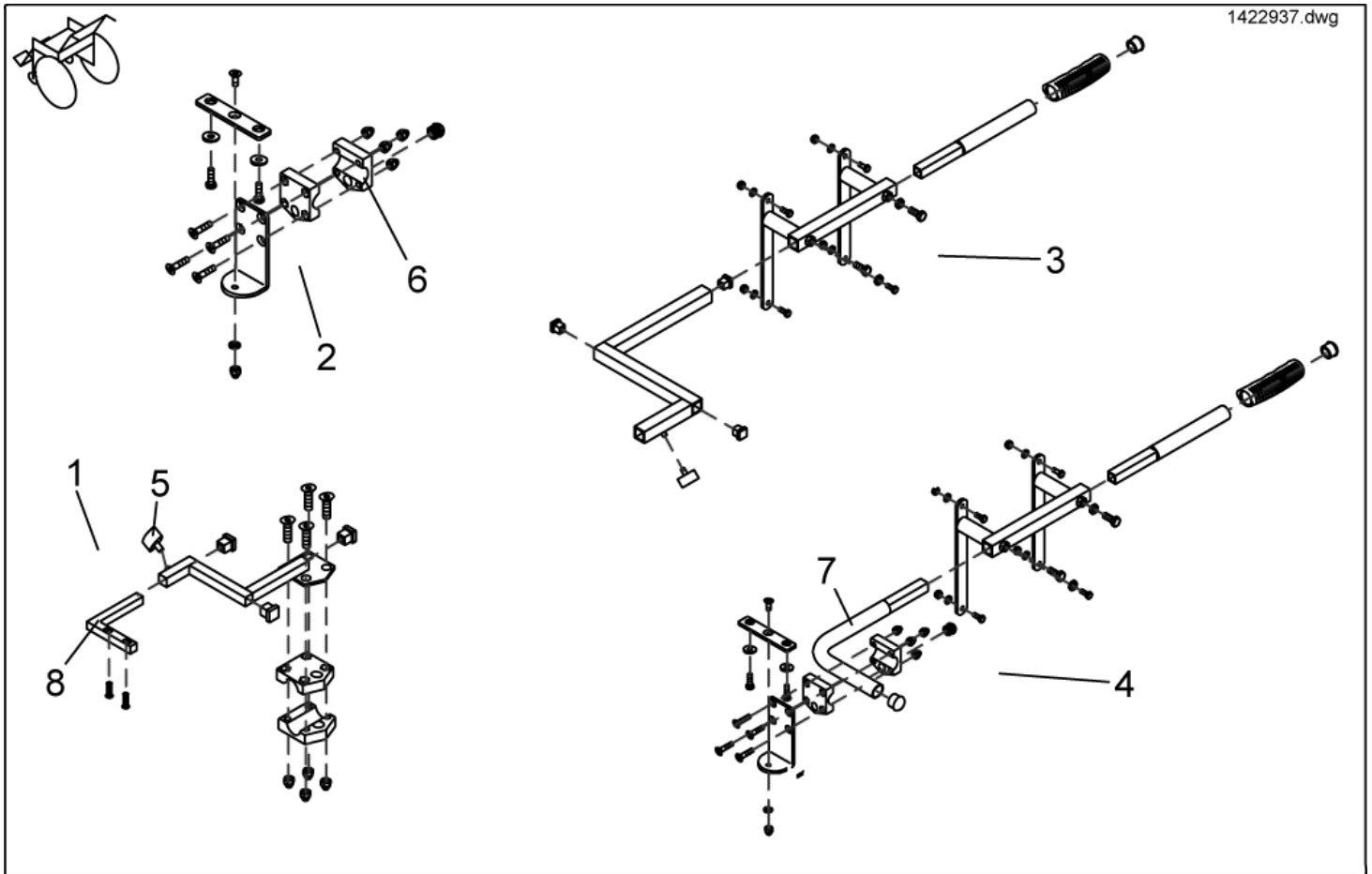
Remote Fixation

G50_Fahrpulhalter.dwg



item	ordercode	description	quantity
1	SPS183040	REMOTE HOLDER STANDARD	1
2	L31001	WING SCREW M6 X 10	1
3	SP1421796	SWING-OUT HEIGHT-ADJUSTABLE REMOTE HOLDER LH	1
3	SP1421795	SWING-OUT HEIGHT-ADJUSTABLE REMOTE HOLDER RH	1
4	SP1422937	ASSEMBLY KIT F. STD. ATTENDANT SEAT CONTROL LH .	1
4	SP1422936	ASSEMBLY KIT RH F. STD. ATTENDANT SEAT CONTROL	1
5	SP1422819	ASSEMBLY KIT F. SWITCHABLE ATTENDANT RECARO CONTROL	1
6	SP1422818	ASSEMBLY KIT F. SWITCHABLE ATTENDANT CONTROL	1
7	1440631	TUBE CLAMP DIA 22 MM, BLACK	1
8	Z183264.99	BUSH RD. 22 X 1.5 X 40, WITH SLIT	4
9	Z12008A.P40	GRIPPING CLIP WITH HEXAGON HOLE, RAL 9005 BLACK	2
10	L31001	WING SCREW M6 X 10	1
11	F383065-9005	HOLDER FOR ATTENDANT CONTROL RECAROL, RAL 9005 BLACK	1
12	SP1440289	ATTENDANT JOYSTICK BOX SUPPORT REM 24SD WITH SCREWS, LEFT	1
12	SP1440288	ATTENDANT JOYSTICK BOX SUPPORT REM 24SD WITH SCREWS, RIGHT	1
-	SP1422814	ASSEMBLY KIT F. SWITCHABLE ATTENDANT CONTROL CPL., RECARO LH	1
-	SP1422813	ASSEMBLY KIT F. SWITCHABLE ATTENDANT CONTROL CPL., RECARO RH	1
13	SP1434921	REMOTE HOLDER REM 34	1
14	SP1436542	REMOTE HOLDER REM 24SD	1

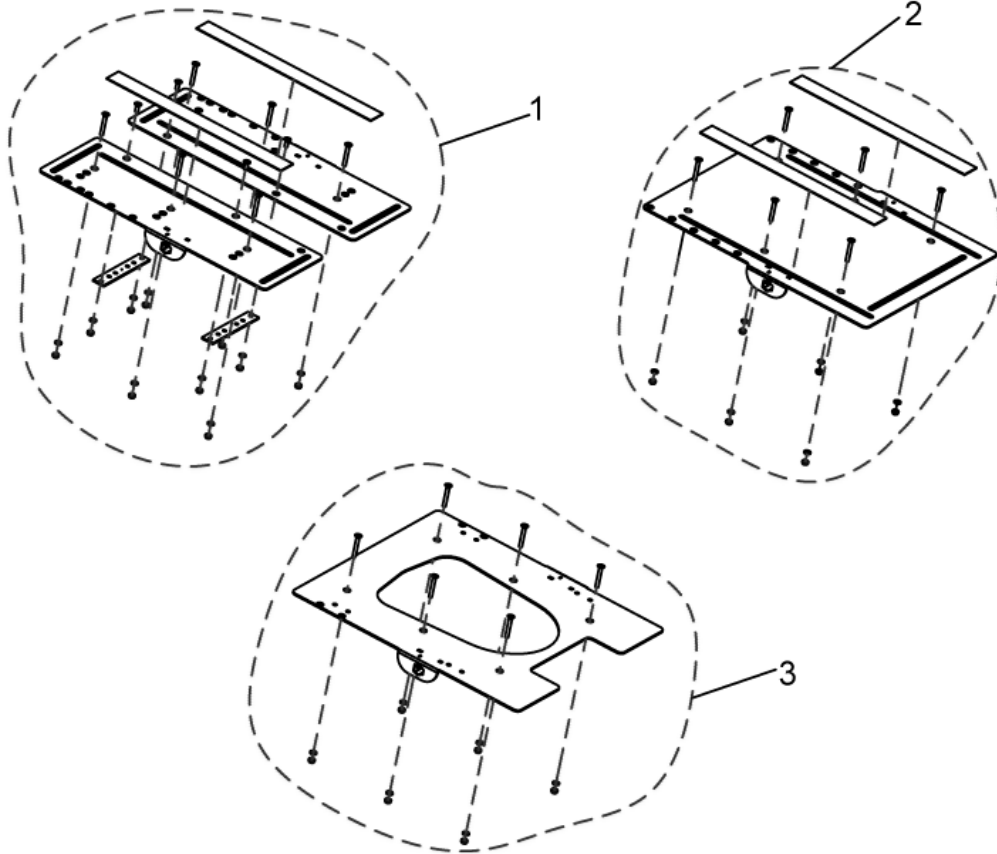
Remote Fixation For Attendant Control



item	ordercode	description	quantity
1	SP1422937	ASSEMBLY KIT F. STD. ATTENDANT SEAT CONTROL LH .	1
1	SP1422936	ASSEMBLY KIT RH F. STD. ATTENDANT SEAT CONTROL	1
2	SP1422818	ASSEMBLY KIT F. SWITCHABLE ATTENDANT CONTROL	1
3	SP1422814	ASSEMBLY KIT F. SWITCHABLE ATTENDANT CONTROL CPL., RECARO LH	1
3	SP1422813	ASSEMBLY KIT F. SWITCHABLE ATTENDANT CONTROL CPL., RECARO RH	1
4	SP1422819	ASSEMBLY KIT F. SWITCHABLE ATTENDANT RECARO CONTROL	1
5	L31001	WING SCREW M6 X 10	1
6	Z12008A.P40	GRIPPING CLIP WITH HEXAGON HOLE, RAL 9005 BLACK	2
7	F383065-9005	HOLDER FOR ATTENDANT CONTROL RECAROL, RAL 9005 BLACK	1
8	SP1440289	ATTENDANT JOYSTICK BOX SUPPORT REM 24SD WITH SCREWS, LEFT	1
8	SP1440288	ATTENDANT JOYSTICK BOX SUPPORT REM 24SD WITH SCREWS, RIGHT	1

Seat Plates

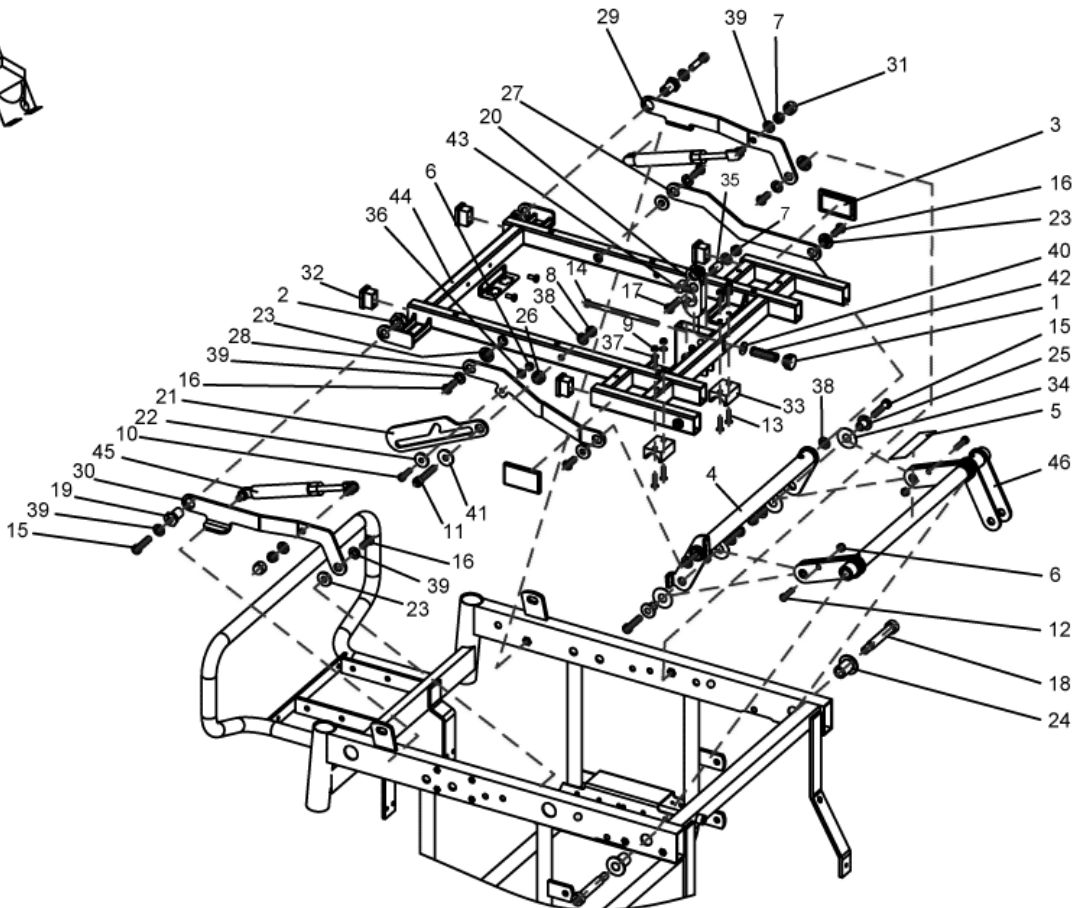
G50_Sitzsystem.dwg



item	ordercode	description	quantity
1	SP1478403	SEAT PLATE DIVIDED SEAT WIDTH 39CM (FIXED LEGRESTS)	1
1	SP1451760	SEAT PLATE DIVIDED SEAT WIDTH 43CM (FIXED LEGRESTS)	1
1	SP1451761	SEAT PLATE DIVIDED SEAT WIDTH 48CM (FIXED LEGRESTS)	1
1	SP1436517	SEAT PLATE DIVIDED SEAT WIDTH 39CM (ELECTRIC LEGRESTS)	1
1	SP1436515	SEAT PLATE DIVIDED SEAT WIDTH 43CM (ELECTRIC LEGRESTS)	1
1	SP1436516	SEAT PLATE DIVIDED SEAT WIDTH 48CM (ELECTRIC LEGRESTS)	1
2	SP1451759	SEAT PLATE, CPL. STANDARD (FIXED LEGRESTS)	1
2	SP1436514	SEAT PLATE, CPL. STANDARD (ELECTRIC LEGRESTS)	1
3	SP1451071	SEAT PLATE, CPL. FOR RECARO-SEAT (FIXED LEGRESTS)	1
3	SP1436518	SEAT PLATE, CPL. FOR RECARO-SEAT (ELECTRIC LEGRESTS)	1
-	U21087	VELCRO FASTENER STRIP 38 X 400MM ADHESIVE	2
-	P31298	REFLECTOR, YELLOW	2

Hinge Mechanism, For Fixed Legrests

1487874.dwg

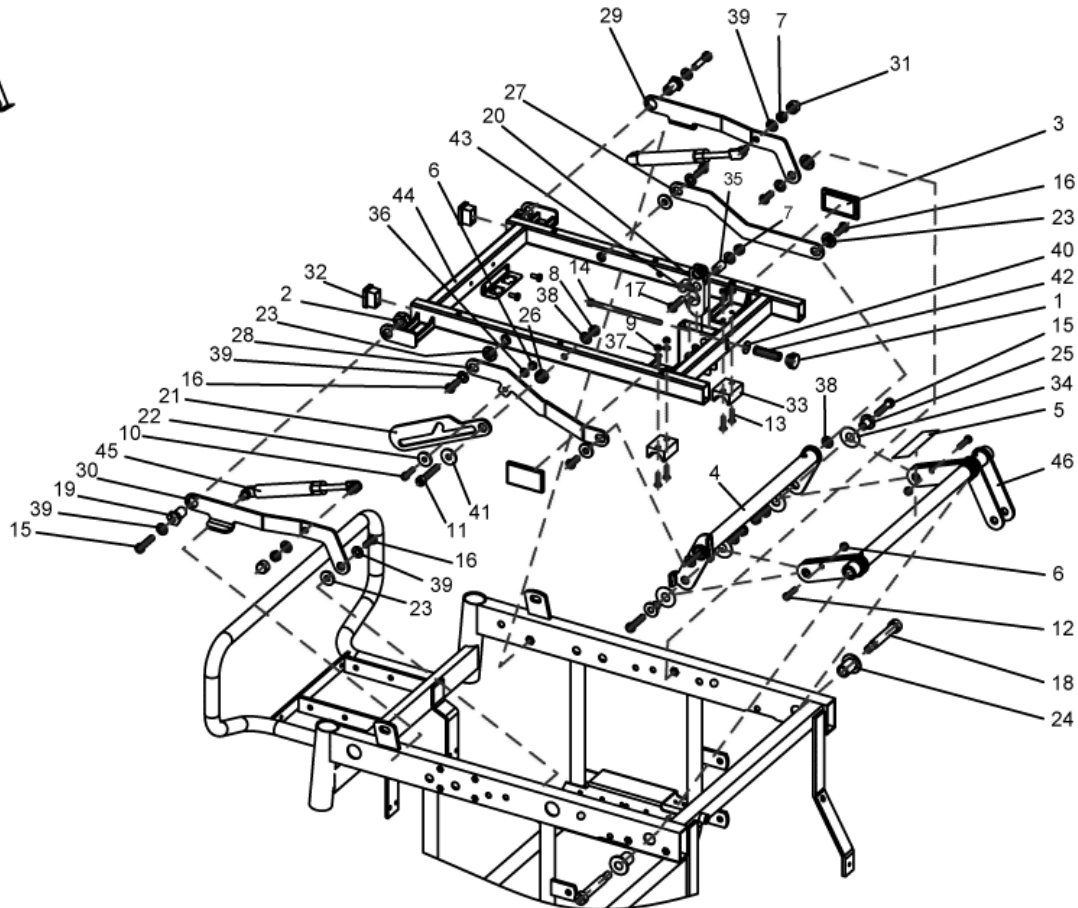


item	ordercode	description	quantity
-	SP1487874	FOLDING MECHANISM, CPL.	1
1	1488572	Raendelmutter GN530 M6 G50	1
2	NA	Mutter DIN 985 M14 vz	2
3	P31298	Reflektor, gelb	2
4	NA	Tiltgestaenge abkl. galv. blau verz. / G50	1
5	NA	Warnaufkleber "Quetschgefahr"	1
6	NA	Mutter, Sechskant M6 selbstsichernd	3
7	NA	Mutter, M8 selbstsichernd, DIN 985	5
8	NA	Mutter, Sechskant M8 selbstsichernd	1
9	NA	Sechskantmutter M5 selbstsichernd	4
10	NA	ZYLINDERSCHRAUBE M. INNENSECHSKANT M6*22	1
11	NA	Schraube, Zylinderform mit Innensechskant M8x45	1
12	NA	Schraube DIN 6912-M6x25-8.8	2
13	NA	Schraube M5x20 DIN 7991	4
14	NA	Schraube DIN 933 M6x120 vz	1
15	NA	M8X30 SCREW DIN 912	4
16	NA	Schraube, M8x20	6
17	NA	Schraube ISO 7380 M8x30 Linsenkopf schwarz verzinkt	1
18	NA	Schulterpassschraube M10x60	2
19	NA	Huelse galv. blau verz. / G50	2
20	NA	Einrasthaken abklapp G50	1
21	NA	Einrastlasche Aufsteller galv. blau verz. / G50	1
22	NA	Distanzhuelse G50	1
23	NA	Gleitbuchse Ruecken G50	6
24	NA	Gleitbuchse 1, Tilt	2
25	NA	Gleitbuchse 2, Tilt	2
26	NA	Distanzbuchse G50	1

item	ordercode	description	quantity
27	NA	Blechlasche abkl vorn LH RAL 9005 / G50	1
28	NA	Blechlasche abkl vorn RH RAL 9005 / G50	1
29	NA	Blechlasche abkl hint LH RAL 9005 / G50	1
30	NA	Blechlasche abkl hint RH RAL 9005 / G50	1
31	L01041	Abdeckkappe, schwarz	2
32	L01060	Gleiter 30x20mm	4
33	1492456	Lagerschale Sitztraeger G50	2
34	NA	Kunststoffscheibe 13x32x1 G50	4
35	NA	Distanzbuchse galv. blau verz. / G50	1
36	NA	Scheibe 6, 4x12, 5x1, 6	1
37	NA	Scheibe 5,3 DIN 125	4
38	NA	Scheibe 8, 4x17x1, 6	3
39	NA	Scheibe 8, 4x17x1, 6 DIN 125	11
40	NA	Scheibe DIN 9021-6,4	1
41	NA	Scheibe DIN 9021-8,4	1
42	1449599	Feder Kniestuetze VCR	1
43	NA	Drehzapfen Einrasthaken G50	1
44	NA	Sitztraeger Vari inkl. RIV-TI G50	1
45	1488567	Gasdruckfeder 200N A=120, B=315,5 1515DW	2
46	NA	Tiltgestaenge kpl. galv. blau verzinkt/G50	1

Hinge Mechanism, For Swing-Away Legrests

1451473.dwg

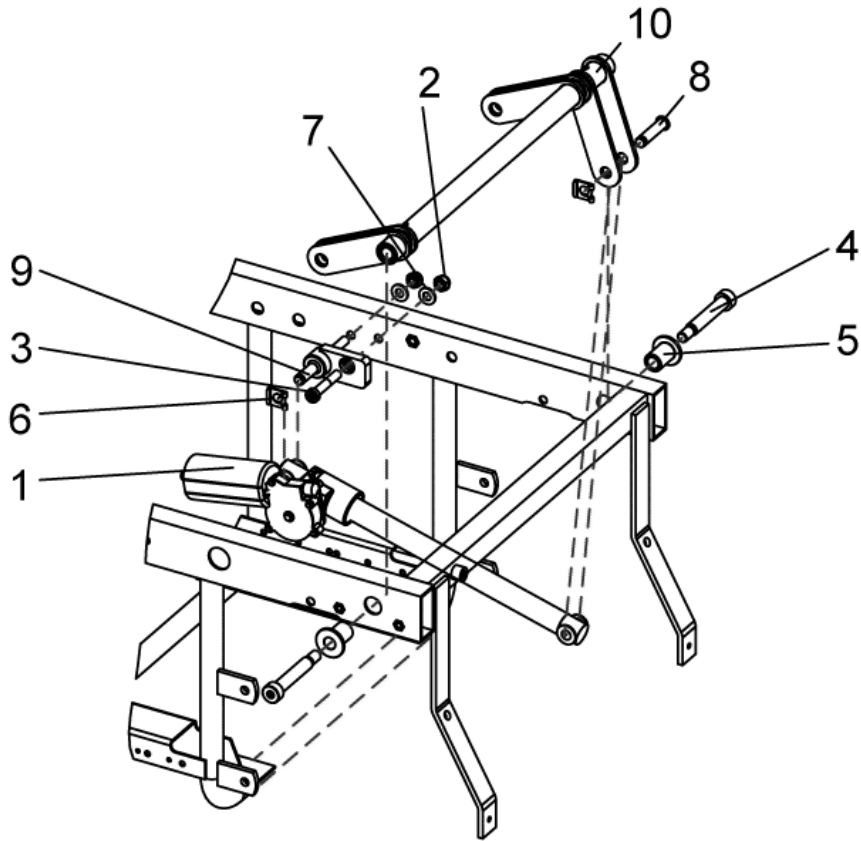


item	ordercode	description	quantity
-	SP1451473	FOLDING MECHANISM STANDARD, CPL.	1
1	1488572	KNURLED SCREW GN 530 M6	1
2	NA	NUT M14 DIN 985	2
3	P31298	TILT LINKAGE, TURNABLE	2
4	NA	SCREW M5*12 DIN 7500 TORX	1
5	NA	NUT M8-8 DIN 985	1
6	NA	NUT M5 DIN 985	3
7	NA	SCREW M5*20 DIN 7991	5
8	NA	SCREW M6*120 DIN 933	1
9	NA	SCREW M8*30 DIN 912	4
10	NA	SCREW ISO 7380-M8*25-10.9	1
11	NA	SCREW M8*20 DIN 7380	1
12	NA	SCREW M8*30 ISO 7380	2
13	NA	SPACER	4
14	NA	ENGAGING HOOK	1
15	NA	FLOATING BUSHING	4
16	NA	FLOATING BUSHING 2, TILT	6
17	NA	STOPPER SHEET METAL	1
18	NA	SHEET METAL LATCH, HINGED LH	2
19	NA	SHEET METAL LATCH, HINGED RH	2
20	NA	SHEET METAL LATCH, HINGED LH	1
21	NA	SHEET METAL LATCH, HINGED RH	1
22	NA	PLASTIC WASHER 13X32X1	1
23	NA	BUSHING	6
24	NA	SPACER BUSH 12X1.8X20	2
25	NA	WASHER 5.3 DIN 125	2
26	NA	WASHER DIN 125-8,4	1

item	ordercode	description	quantity
27	NA	WASHER DIN 9021-6.4	1
28	NA	METAL FIXATION PLATE	1
29	NA	SPRING KNEE SUPPORT	1
30	NA	PIVOT REST HOOK	1
31	L01041	SEAT SUPPORT VARI FOR SWING-AWAY LEGRESTS	2
32	L01060	STABILUS LIFT-O-MAT 1515DW-200N	4
33	1492456	Lagerschale Sitztraeger G50	2
34	NA	Kunststoffscheibe 13x32x1 G50	4
35	NA	Distanzbuchse galv. blau verz. / G50	1
36	NA	Scheibe 6, 4x12, 5x1, 6	1
37	NA	Scheibe 5,3 DIN 125	4
38	NA	Scheibe 8, 4x17x1, 6	3
39	NA	Scheibe 8, 4x17x1, 6 DIN 125	11
40	NA	Scheibe DIN 9021-6,4	1
41	NA	Scheibe DIN 9021-8,4	1
42	1449599	Feder Kniestuetze VCR	1
43	NA	Drehzapfen Einrasthaken G50	1
44	NA	Sitztraeger Vari inkl. RIV-TI G50	1
45	1488567	Gasdruckfeder 200N A=120, B=315,5 1515DW	2
46	NA	Tiltgestaenge kpl. galv. blau verzinkt/G50	1

Seat Tilt Electric

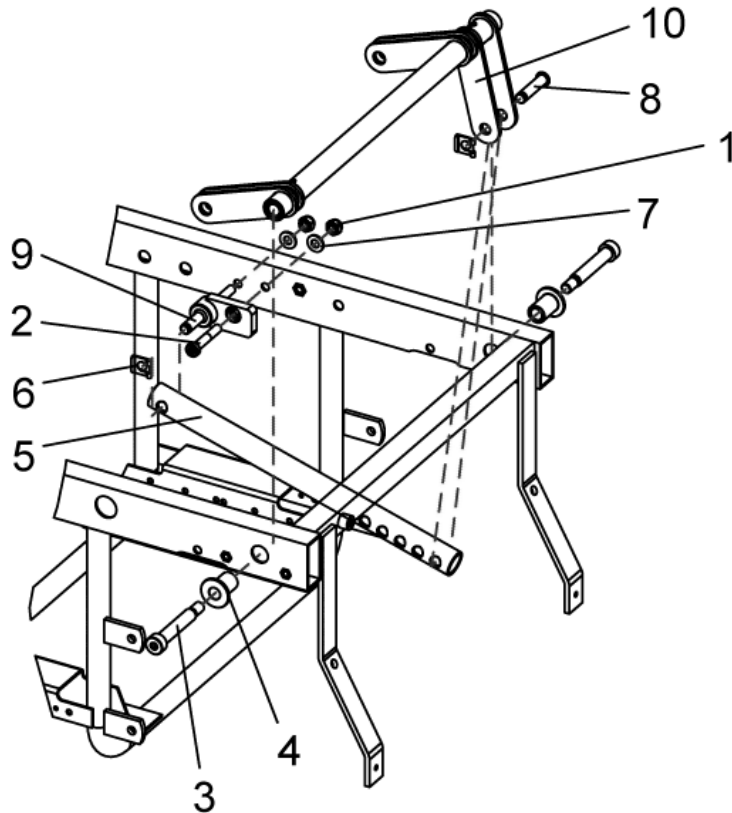
1478495.dwg



item	ordercode	description	quantity
-	SP1478495	SEAT TILT ELECTRIC G50, CPL.	1
2,3,6,7,8,9	SP1478495	ASSEMBLY KIT G50, SEAT TILT ELECTRIC / FIXED	1
1	1489048	ACTUATOR RE 25.4.100.24 BUK 184 (155°) G50	1
2	NA	HEX NUT M8 SELF-LOCKING	2
3	NA	MACHINE SCREW WITH ALLEN KEY HEAD M8 X 20	1
4	NA	SL-LOCKING SCREW M10X60	2
5	NA	FLOATING BUSHING 1 TILT G50	2
6	NA	LOCK WASHER 10MM	2
7	NA	WASHER 8, 4X17X1, 6	2
8	NA	FIXATION BOLT 44, 5MM BLACK ZINC-PLATED	1
9	NA	ACTUATOR HOLDER CPL. GALV. BLUE ZINC-PLATED / G50	1
10	NA	TILT LINKAGE, CPL. GALV. BLUE ZINC-PLATED / G50	1

Seat Tilt Fixed

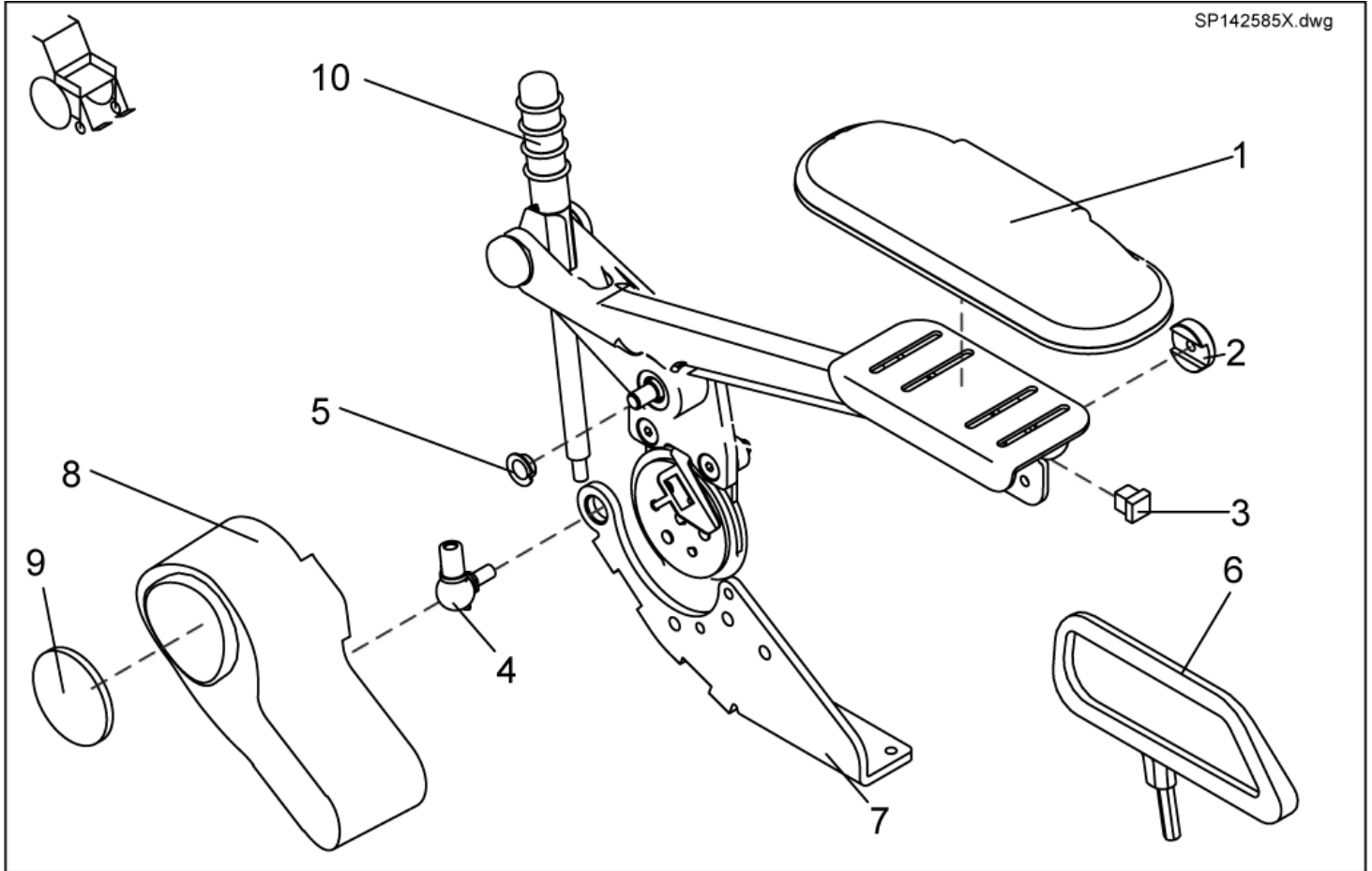
1451016.dwg



item	ordercode	description	quantity
-	SP1451016	SEAT TILT FIXED G50, CPL.	1
1,2,6,7,8,9,	1478434	ASSEMBLY KIT G50, SEAT TILT ELECTRIC / FIXED	1
1	NA	HEX NUT M8 SELF-LOCKING	2
2	NA	MACHINE SCREW WITH ALLEN KEY HEAD M8 X 20	1
3	NA	SL-LOCKING SCREW M10X60	2
4	NA	FLOATING BUSHING 1 TILT G50	2
5	1451375-0002	SEAT TILT TUBE MANUAL FIXED GALV. BLUE ZINC-PLATED / G50	1
6	NA	LOCK WASHER 10MM	2
7	NA	WASHER 8, 4X17X1, 6	2
8	NA	FIXATION BOLT 44, 5MM BLACK ZINC-PLATED	1
9	NA	ACTUATOR HOLDER CPL. GALV. BLUE ZINC-PLATED / G50	1
10	NA	TILT LINKAGE, CPL. GALV. BLUE ZINC-PLATED / G50	1

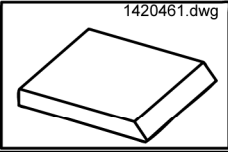
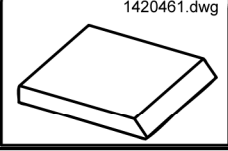
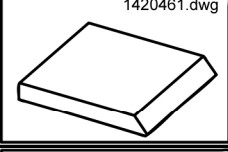

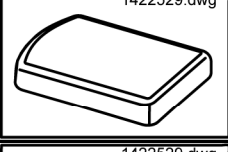
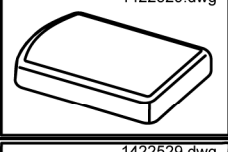
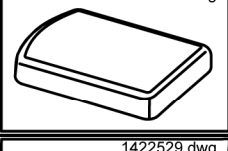
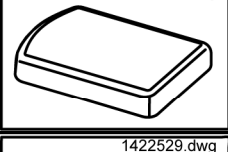
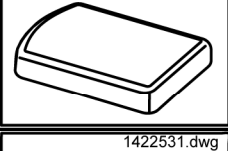


Sliding Armrest


SP142585X.dwg














item	ordercode	description	quantity
-	SP1425853	KIT SLIDING ARMRESTS PAIR, F. MANUAL BACKREST ADJUSTMENT FLEX	1
-	SP1425859	KIT SLIDING ARMRESTS PAIR, F. ELECTRIC BACKREST ADJUSTMENT FLEX	1
1,2,3,4,5	SP5314641	SLIDING ARMREST LH CPL.	1
1,2,3,4,5	SP5311680	SLIDING ARMREST RH CPL.	1
1	5311680	ARMREST UPHOLSTERY 260 MM	1
1	5314641	ARMREST UPHOLSTERY 340 MM	1
2	1421657-0003	RETAINING WASHER	4
3	L01055	TUBE END PLUG E 15 X 15	1
4	N04109	SWIVEL JOINT AS 13-M8 RH	2
5	N02194	BUSH BB 1209 DU	8
6	SP1436540	CLOTHING PROTECTOR PAIR SLIDING ARMREST SEAT WIDTH=39CM	1
6	SP1436539	CLOTHING PROTECTOR PAIR SLIDING ARMREST SEAT WIDTH>39CM	1
7	1429564-9005	FITTING ATTACHMENT LH F. SLIDING ARMREST	1
7	1429563-9005	FITTING ATTACHMENT RH F. SLIDING ARMREST	1
8	1428057	MOTOR CAP FOR ELECTRIC BACKREST SLIDING ARMREST	1
9	1420482	REFLECTOR	1
10	SP1451392	ASSEMBLY KIT, GUIDE ROD	1

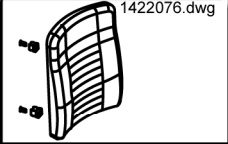
Seat Cushions

Picture	Seat system	Seat width cm	Seat depth cm	color	ordercode
	Standard	n.a.	41	black	1420460
	Standard	n.a.	46	black	1420461
	Standard	n.a.	51	black	1420462
	Flex	39	n.a.	blue	1422529
	Flex	39	n.a.	black	1436561
	Flex	41	n.a.	blue	1422530
	Flex	41	n.a.	black	1436562
	Flex	48	n.a.	blue	1422532
	Flex	48	n.a.	black	1436563
	Flex Vic Air	43	n.a.	VicAir	1422531
	Kontur	43	n.a.	black	1492457

Picture	Seat system	Seat width	Seat depth	color	ordercode
		cm	cm		
	Kontur	48	n.a.	black	1492458

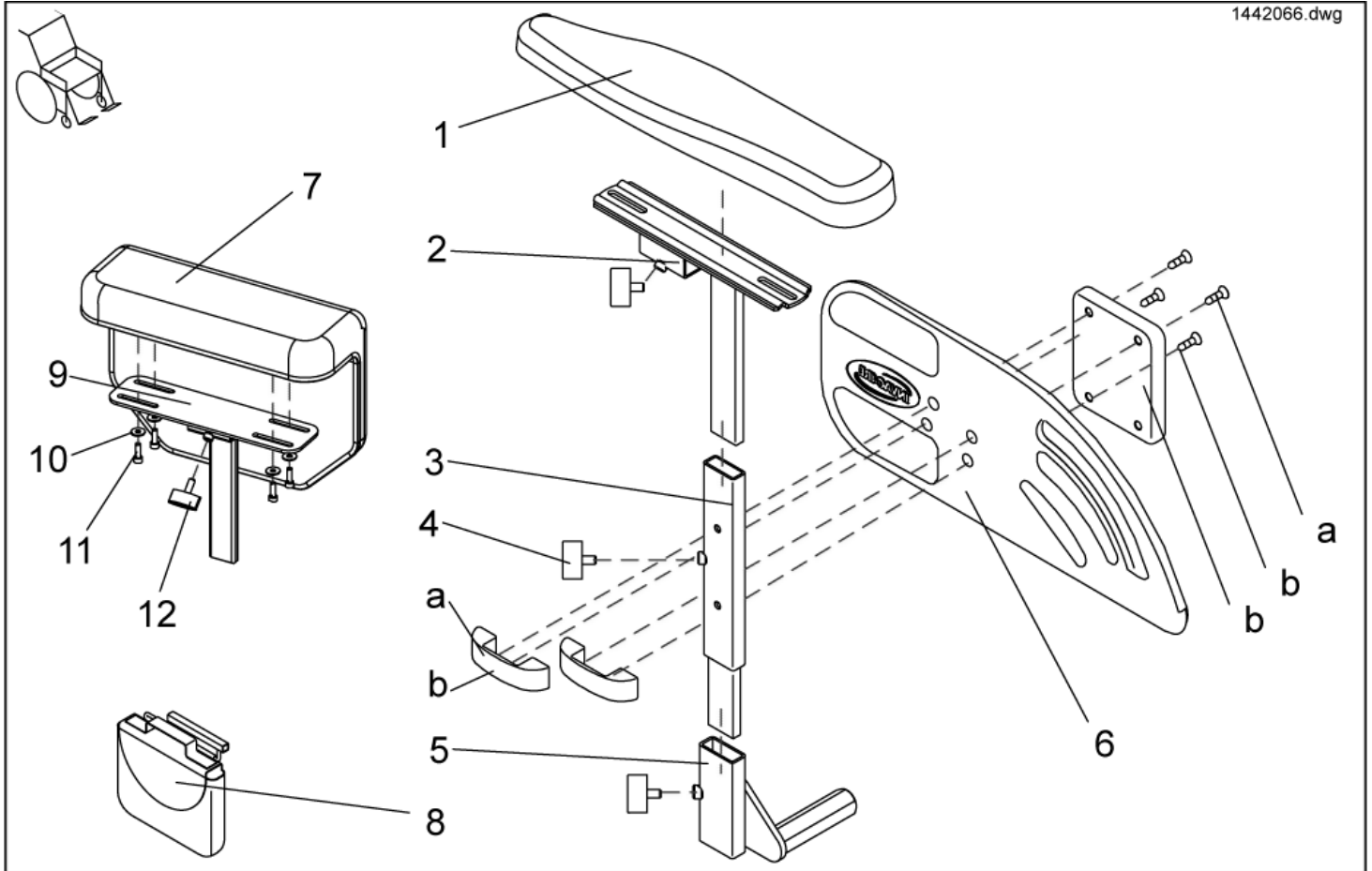
Backrest Cushions

Picture	Seat system	Seat width cm	color	ordercode
 1422534.dwg	Flex	39	blue	1422534
 1422534.dwg	Flex	39	Dartex grey	5252506-TR23
 1422534.dwg	Flex	39	black	1436564
 1422534.dwg	Flex	43	blue	1422535
 1422534.dwg	Flex	43	Vinyl grey	5252507-TR04
 1422534.dwg	Flex	43	black	1436565
 1422534.dwg	Flex	48	blue	1422536
 1422534.dwg	Flex	48	Dartex grey	5252508-TR23
 1422534.dwg	Flex	48	black	1436566
 1422537.dwg	Flex Vic Air	43	VicAir	1422537
 1422076.dwg	Flex Vic Air	43	black	1492459

Picture	Seat system	Seat width	color	ordercode
		cm		
	Flex Vic Air	48	<div style="background-color: black; color: white; padding: 2px 5px; display: inline-block;">black</div>	1492451

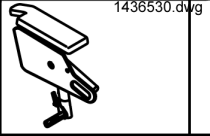

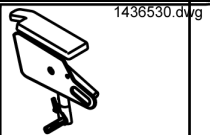
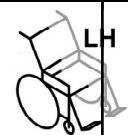
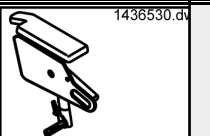

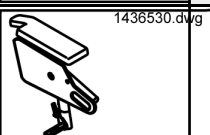
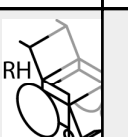



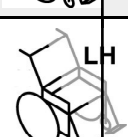
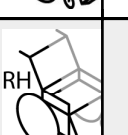
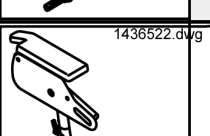

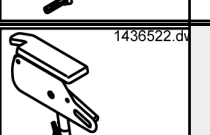

Side Parts

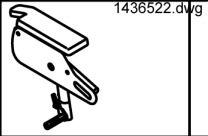

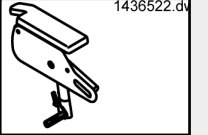

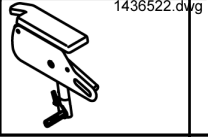
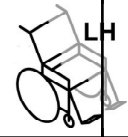
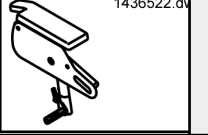

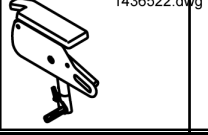
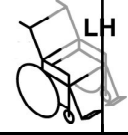
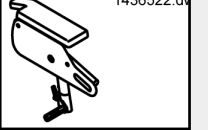

1442066.dwg



item	ordercode	description	quantity
1,2,3,4,5,6,a	SP1442016	SIDE PART LH CPL.	1
1,2,3,4,5,6,a	SP1442017	SIDE PART RH CPL.	1
2,4,5,7,b	SP1448753	SIDE PART SOFT, LEFT, CPL.	1
2,3,4,5,7,b	SP1448754	SIDE PART SOFT, RIGHT CPL.	1
1	1442618	ARMREST PAD WITH ASSEMBLY KIT - LH CPL.	1
1	1442619	ARMREST PAD WITH ASSEMBLY KIT - RH CPL.	1
2	1442020-9005	ARM PAD BRACKET LH	1
2	1442021-9005	ARM PAD BRACKET RH	1
3	1442015-9005	SIDE PART ADJUSTMENT LH	1
3	1442012-9005	SIDE PART ADJUSTMENT RH	1
4	L10024	WING THUMB SCREW M6 X 16	3
5	1442024-9005	ARMREST SUPPORT TUBE LH	1
5	1442025-9005	ARMREST SUPPORT TUBE RH	1
6	1433291	SIDE PART PLATE LH CPL.	1
6	1433292	SIDE PART PLATE RH CPL.	1
7	1450100	ARMREST PAD, SOFT, LEFT WITH ASSEMBLY KIT	1
7	1450102	ARMREST PAD, SOFT, RIGHT WITH ASSEMBLY KIT	1
a	1450296	FIXING KIT SIDE PART PLATE	2
b	1450095	ASSEMBLY KIT, SIDE PART PLATE, SOFT	2
8	SP1430417	BAG FOR SIDE PANEL LH CPL.	1
8	SP1430416	BAG FOR SIDE PANEL RH CPL.	1

Standard Side Parts Complete, For Low Seat Height

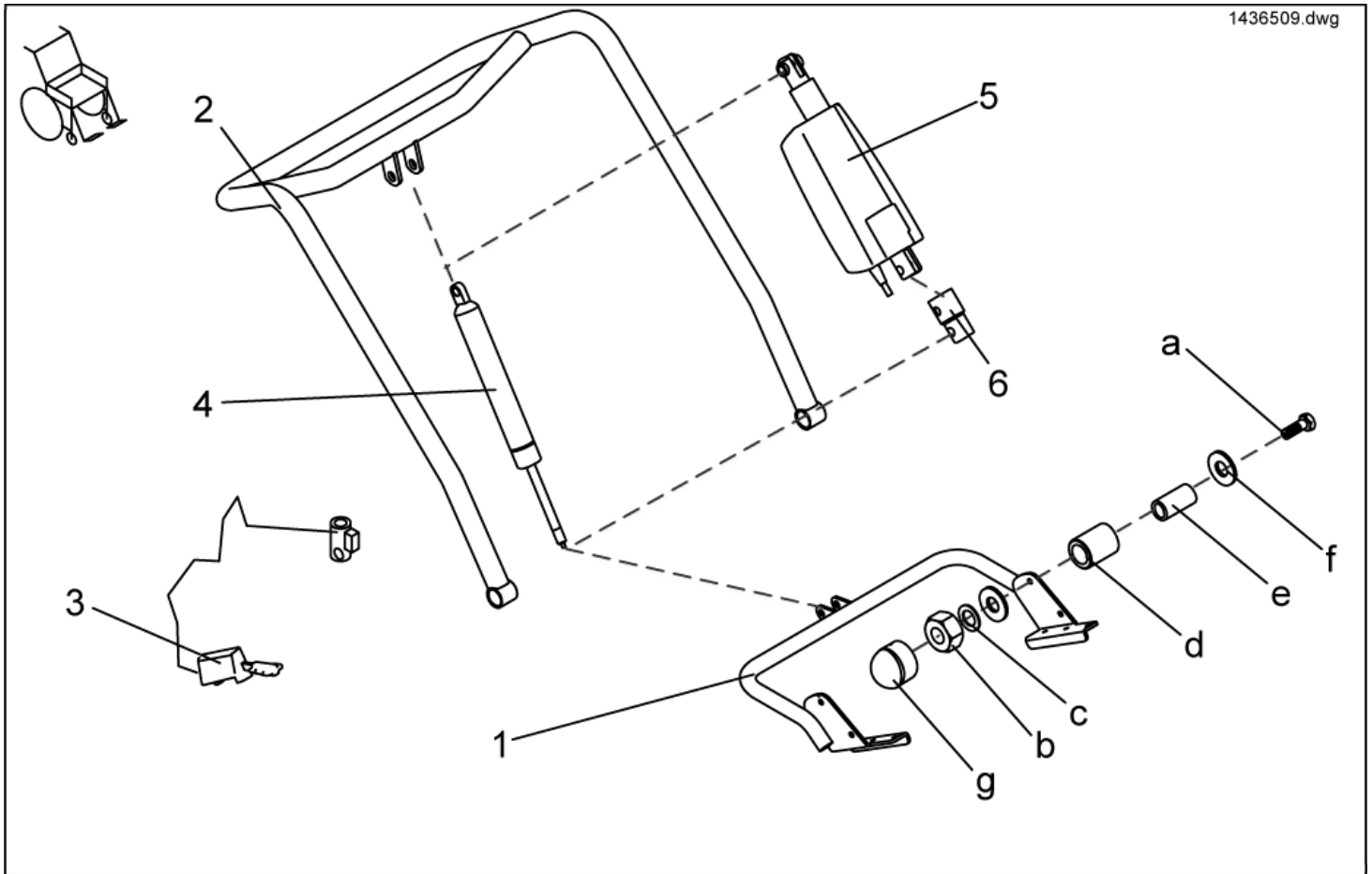
Picture	Seat system	Seat depth cm	Height cm	Seat width cm	left/ right	ordercode
	Flex	41	34	39		SP1436534
	Flex	41	34	39		SP1436533
	Standard/Kontur/Flex	41	34	39...		SP1436530
	Standard/Kontur/Flex	41	34	39...		SP1436529
	Flex	41	38	39		SP1436536
	Flex	41	38	39		SP1436535
	Standard/Kontur/Flex	41	38	39...		SP1436532
	Standard/Kontur/Flex	41	38	39...		SP1436531
	Flex	41...	34	39		SP1436526
	Flex	41...	34	39		SP1436525
	Standard/Kontur/Flex	41...	34	39...		SP1436522
	Standard/Kontur/Flex	41...	34	39...		SP1436521

Picture	Seat system	Seat depth	Height	Seat width	left/ right	ordercode
		cm	cm	cm		
	Flex	41...	38	39		SP1436528
	Flex	41...	38	39		SP1436527
	Standard/Kontur/Flex	41...	38	39...		SP1436524
	Standard/Kontur/Fle	41...	38	39...		SP1436523
	RECARO	n.a.	38	n.a.		SP1436538
	RECARO	n.a.	38	n.a.		SP1436537

- ✓ **Information:** The height of the side parts is settable. Preset is 34cm or 38cm.
- Parts with **34cm** are settable between **30cm and 40cm**.
 - Parts with **38cm** are settable between **34cm and 44cm**.

Backrest Adjustment Standard

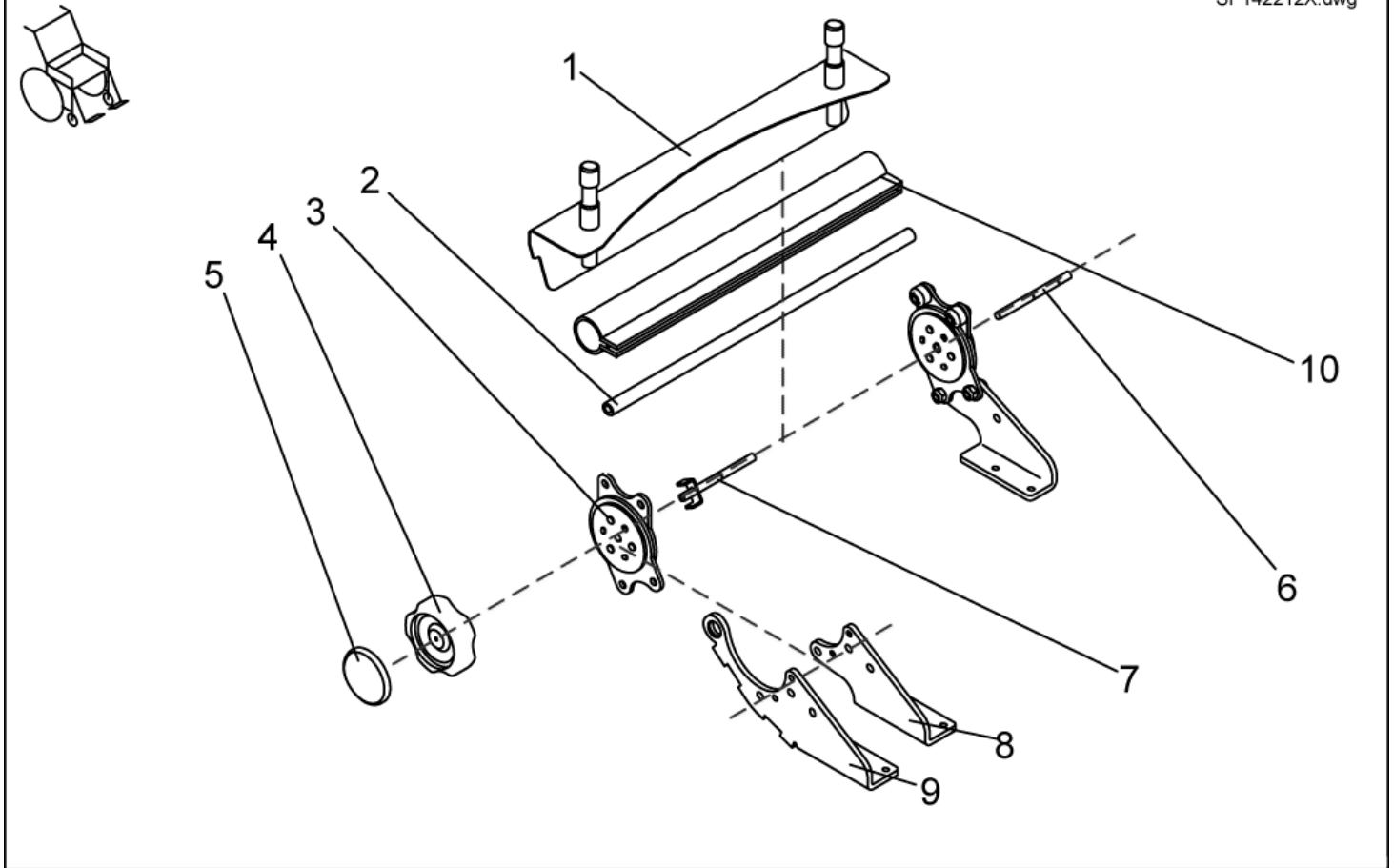
1436509.dwg



item	ordercode	description	quantity
-	SP1444990	BACKREST ADJUSTMENT ELECTRICAL FOR STANDARD SEAT COMPLETE	1
-	SP1443269	BACKREST ADJUSTMENT PNEUMATIC FOR STANDARD SEAT COMPLETE	1
-	SP1444991	BACK ADJUSTMENT STANDARD, BACK HEIGHT 54CM, PNEUMATICALLY, COMPLETELY WITH BACK BELT	1
-	SP1443270	BACK ADJUSTMENT STANDARD, BACK HEIGHT 54CM, ELECTRICALLY, COMPLETELY WITH BACK BELT	1
1	1440394-9005	LOWER RECEIVING BRACKET	1
2	1440395-9005	BACKTUBE	1
3	N368003	RELEASE LEVER "STABILUS"	1
4	N368007	BACK ADJUSTER PNEUMATIC CPL.	1
5	1418016	BACK ADJUSTER ELECTRIC CPL.	1
6	N368001.89	EXTENSION PART FOR ACTUATOR	1
a,b,c,d,e,f,g	F367005	FIXING KIT FOR SEAT MOUNTING	1
a	NA	AXLE BOLT M8 X 45	2
b	NA	NYLOC NUT M8	2
c	NA	WASHER 8,4 X 17 X 1,6	2
d	NA	BUSH RD. 18 X 3 X 22	4
e	NA	BUSH RD. 12 X 1.8 X 23	2
f	NA	WASHER 8,4 X 25 X 2 DIN 9021	2
g	NA	NUT CAP M8	2

Backrest Adjustment Flex/Contour Manual

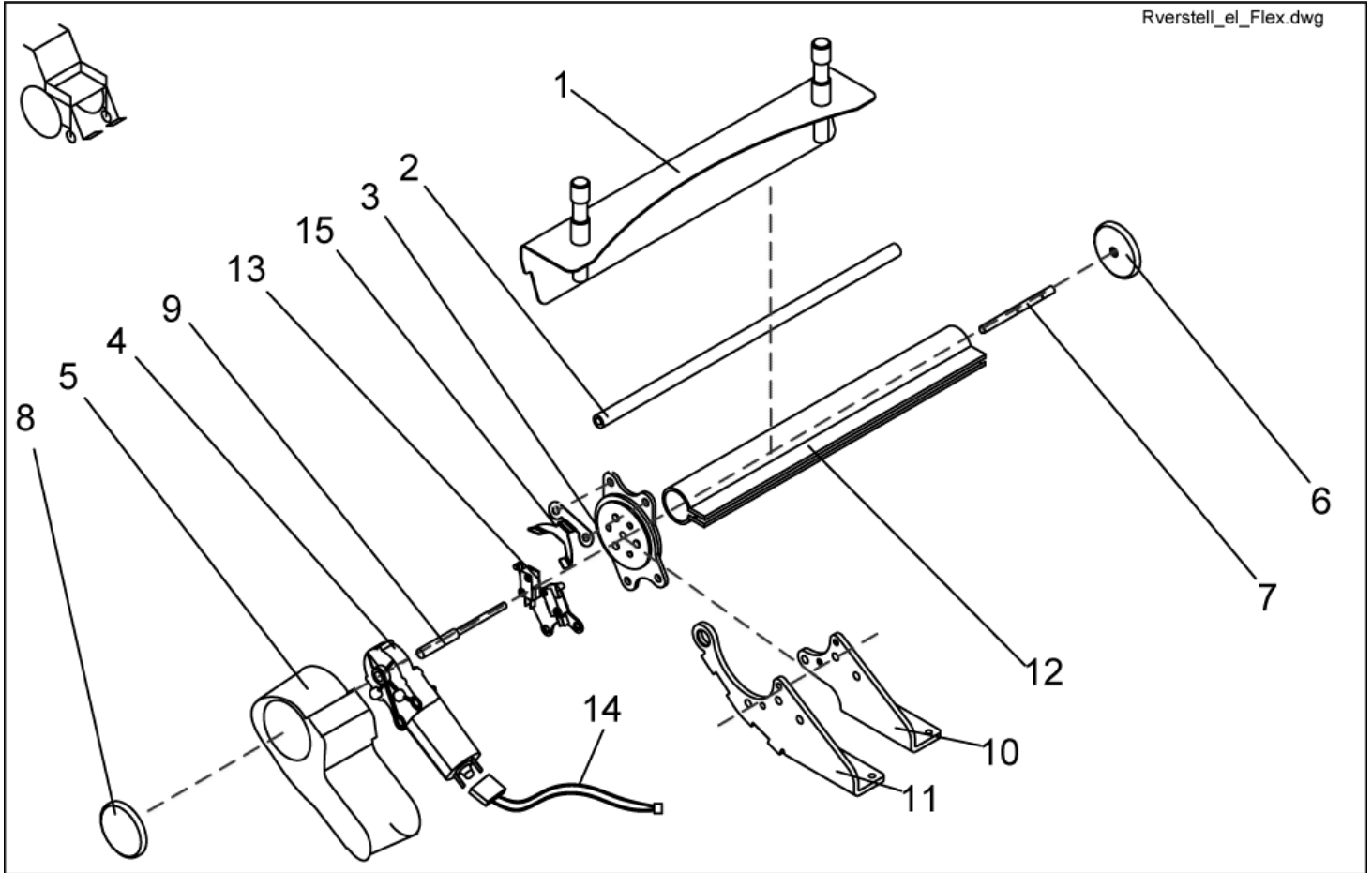
SP142212X.dwg



item	ordercode	description	quantity
-	SP1422122	MANUAL BACKREST ADJUSTMENT F. FLEX SB 39 CPL.	1
-	SP1422066	MANUAL BACKREST ADJUSTMENT SB 43 CPL.	1
-	SP1422067	MANUAL BACKREST ADJUSTMENT SB 48 CPL.	1
-	SP1425857	MANUAL BACK ADJUSTER, SEAT WIDTH 39CM, FOR SLIDING ARMRESTS, CPL.	1
-	1442942	MANUAL BACK ADJUSTER, SEAT WIDTH 43CM, FOR SLIDING ARMRESTS, CPL.	1
-	SP1425854	MANUAL BACK ADJUSTER, SEAT WIDTH 48CM, FOR SLIDING ARMRESTS, CPL.	1
-	SP1423210	BACKREST ADJUSTMENT ASSEMBLY KIT	1
1	1422119-9005	BACKREST BRACKET 390 MM	1
1	1419992-9005	BACKREST BRACKET 430 MM	1
1	1422112-9005	BACKREST BRACKET 480 MM	1
2	1420489	CONNECTING TUBE 380 MM	1
2	1420490	CONNECTING TUBE 430 MM	1
2	1420491	CONNECTING TUBE 480 MM	1
3	SP1450234	SEAT BRACE MANUAL BACKREST, 1 PAIR	1
4	1420483	HAND WHEEL	1
5	1421696	PERFORATED REFLECTOR, YELLOW	2
6	1420488-0002	SUPPORT SHAFT	1
7	1421713-0002	HAND WHEEL SHAFT	1
8	1420477-9005	BRACE BRACKET MANUAL/ELECTRICAL LH	1
8	1420476-9005	BRACE BRACKET MANUAL RH	1
9	1429564-9005	FITTING ATTACHMENT LH F. SLIDING ARMREST	1
9	1429563-9005	FITTING ATTACHMENT RH F. SLIDING ARMREST	1
10	1442577	PROTECTIVE COVERING 380MM	1
10	1442578	PROTECTIVE COVERING 430MM	1
10	1442577	PROTECTIVE COVERING 480MM	1

Backrest Adjustment Flex/Contour Electric

Rverstell_el_Flex.dwg

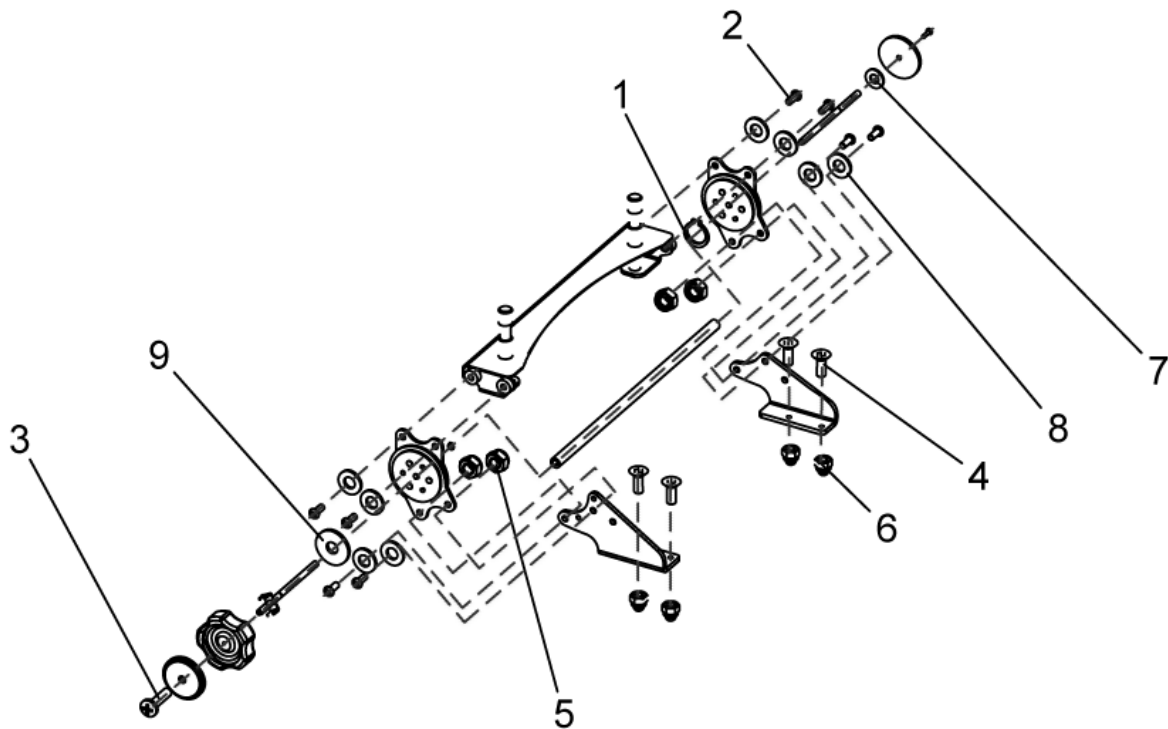


item	ordercode	description	quantity
-	SP1440407	ELECTRICAL BACK ADJUSTER, SEAT WIDTH 39CM, CPL.	1
-	SP1440405	ELECTRICAL BACK ADJUSTER, SEAT WIDTH 43CM, CPL.	1
-	SP1440406	ELECTRICAL BACK ADJUSTER, SEAT WIDTH 48CM, CPL.	1
-	SP1440410	ELECTRICAL BACK ADJUSTER, SEAT WIDTH 39CM, FOR SLIDING ARMRESTS, CPL.	1
-	SP1440408	ELECTRICAL BACK ADJUSTER, SEAT WIDTH 43CM, FOR SLIDING ARMRESTS, CPL.	1
-	SP1440409	ELECTRICAL BACK ADJUSTER, SEAT WIDTH 48CM, FOR SLIDING ARMRESTS, CPL.	1
-	SP1423210	BACKREST ADJUSTMENT ASSEMBLY KIT	1
1	1422119-9005	BACKREST BRACKET 390 MM	1
1	1419992-9005	BACKREST BRACKET 430 MM	1
1	1422112-9005	BACKREST BRACKET 480 MM	1
2	1420489	CONNECTING TUBE 380 MM	1
2	1420490	CONNECTING TUBE 430 MM	1
2	1420491	CONNECTING TUBE 480 MM	1
3	SP1423211	SEAT BRACE ELECTRIC BACKREST, 1 PAIR	1
4	1420475	GEAR MOTOR GMPG	1
5	1420998	MOTOR CAP	1
6	1421696	PERFORATED REFLECTOR, YELLOW	2
7	1420488-0002	SUPPORT SHAFT	1
8	1420482	REFLECTOR	1
9	1420487-0002	MOTOR SHAFT	1
10	1420477-9005	BRACE BRACKET MANUAL/ELECTRICAL LH	1
10	1421708-9005	BRACE BRACKET ELECTRICAL, RH	1
11	1429564-9005	FITTING ATTACHMENT LH F. SLIDING ARMREST	1
11	1429563-9005	FITTING ATTACHMENT RH F. SLIDING ARMREST	1
12	1442577	PROTECTIVE COVERING 380MM	1
12	1442578	PROTECTIVE COVERING 430MM	1
12	1442579	PROTECTIVE COVERING 480MM	1

item	ordercode	description	quantity
13	SP1440711	TWO MICRO SWITCHES WITH ASSEMBLY SHEET METAL, PRE-ASSEMBLED	1
14	1440726	ACTUATORCABLE RECLINER	1

Assembly Kit For Backrest Adjustment

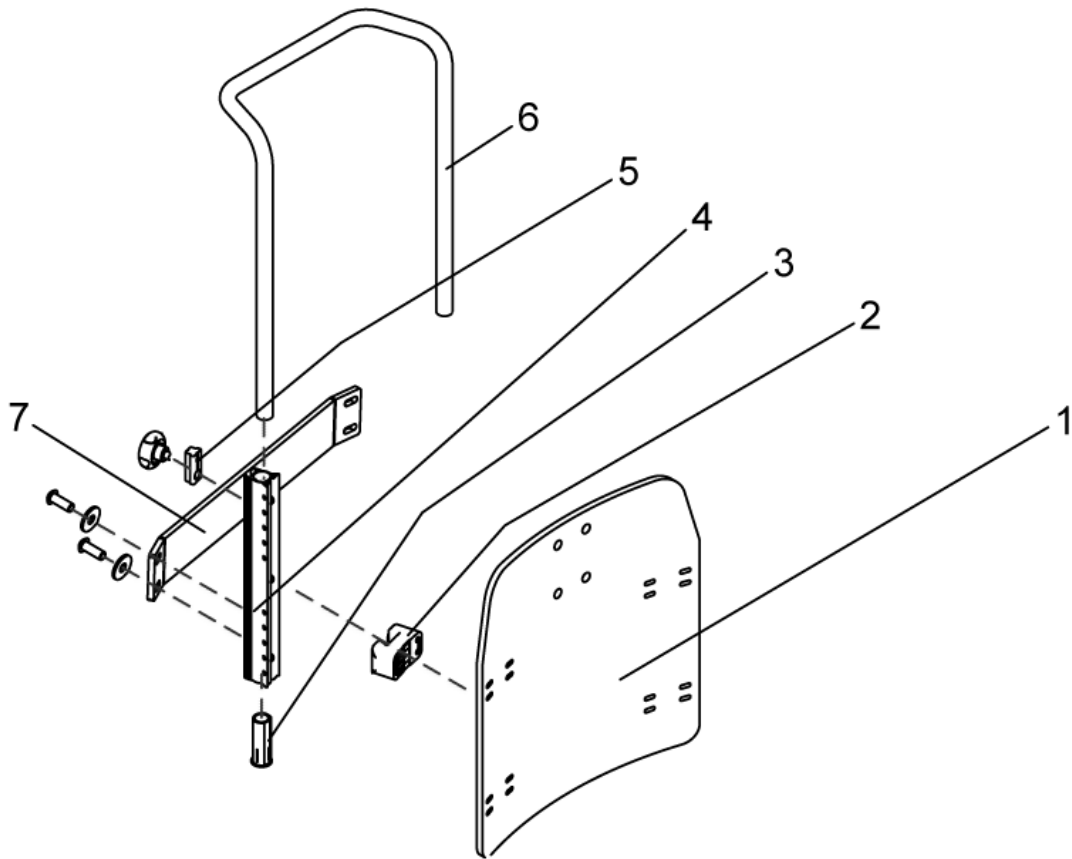
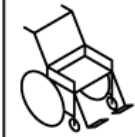
SP1423210.dwg



item	ordercode	description	quantity
-	SP1423210	BACKREST ADJUSTMENT ASSEMBLY KIT	1
1	NA	DIN 471 8X0.75 SPRING LOCKING RING	2
2	NA	SCREW M8 X 20	8
3	NA	CROSS HEAD SCREW M4 X 16	2
4	NA	COUNTERSUNK SOCKET HEAD SCREW M6 X 16	4
5	NA	NYLOC NUT M8 SELF-LOCKING, DIN 985	4
6	NA	DOMED NYLOC NUT M6, SELF-LOCKING	4
7	NA	WASHER 4,3 X 9 X 0,8	1
8	NA	WASHER 8,4 X 17 X 1,6	11
9	NA	WASHER 8,4 X 25 X 2	1

Backrest Tube Flex

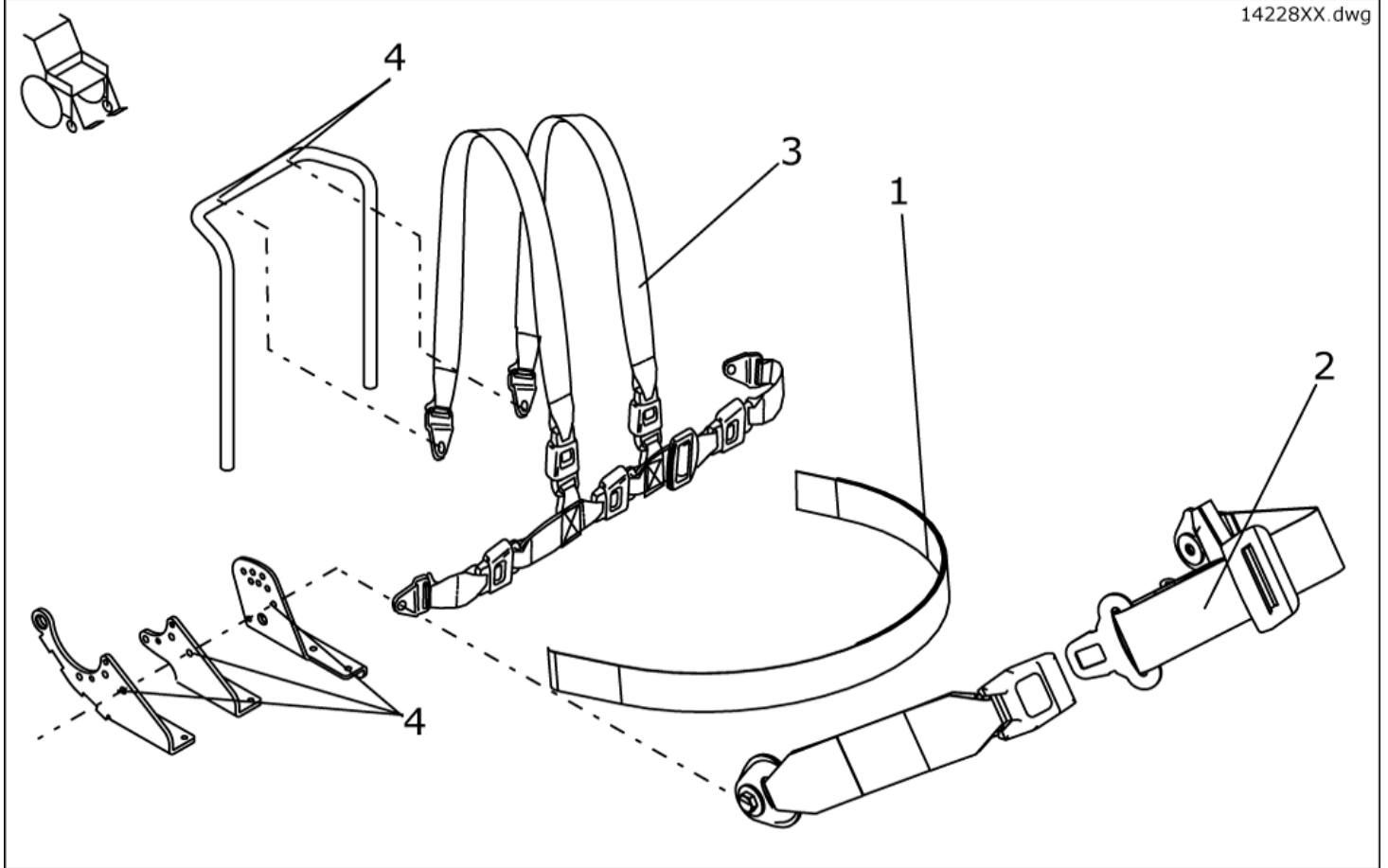
Ruecken_Flex.dwg



item	ordercode	description	quantity
-	SP1422126	BACKREST FLEX SB 39 WITHOUT UPHOLSTERY CPL.	1
-	SP1422124	BACKREST FLEX SB 43 WITHOUT UPHOLSTERY CPL.	1
-	SP1422125	BACKREST FLEX SB 48 WITHOUT UPHOLSTERY CPL.	1
1	SP1423217	BACK PLATE SB 39 CPL.	1
1	SP1423218	BACK PLATE SB 43 CPL.	1
1	SP1423219	BACK PLATE SB 48 CPL.	1
2	SP1422117	SPACER BLOCK, 4 PIECES	1
3	SP1423220	GUIDE BUSH CPL. (PAIR)	1
4	5252204	BACKREST BAR	2
5	5253088	FIXATION BLOCK	4
6	1425840-9005	PUSH HANDLE SB 39	1
6	1425839-9005	PUSH HANDLE SB 44/48	1
7	SP1488810	STABILIZATION SHEET METAL CPL. SEAT WIDTH 43/48CM	1
7	SP1488804	STABILIZATION SHEET METAL CPL. SEAT WIDTH 39CM	1

Fixation Belts

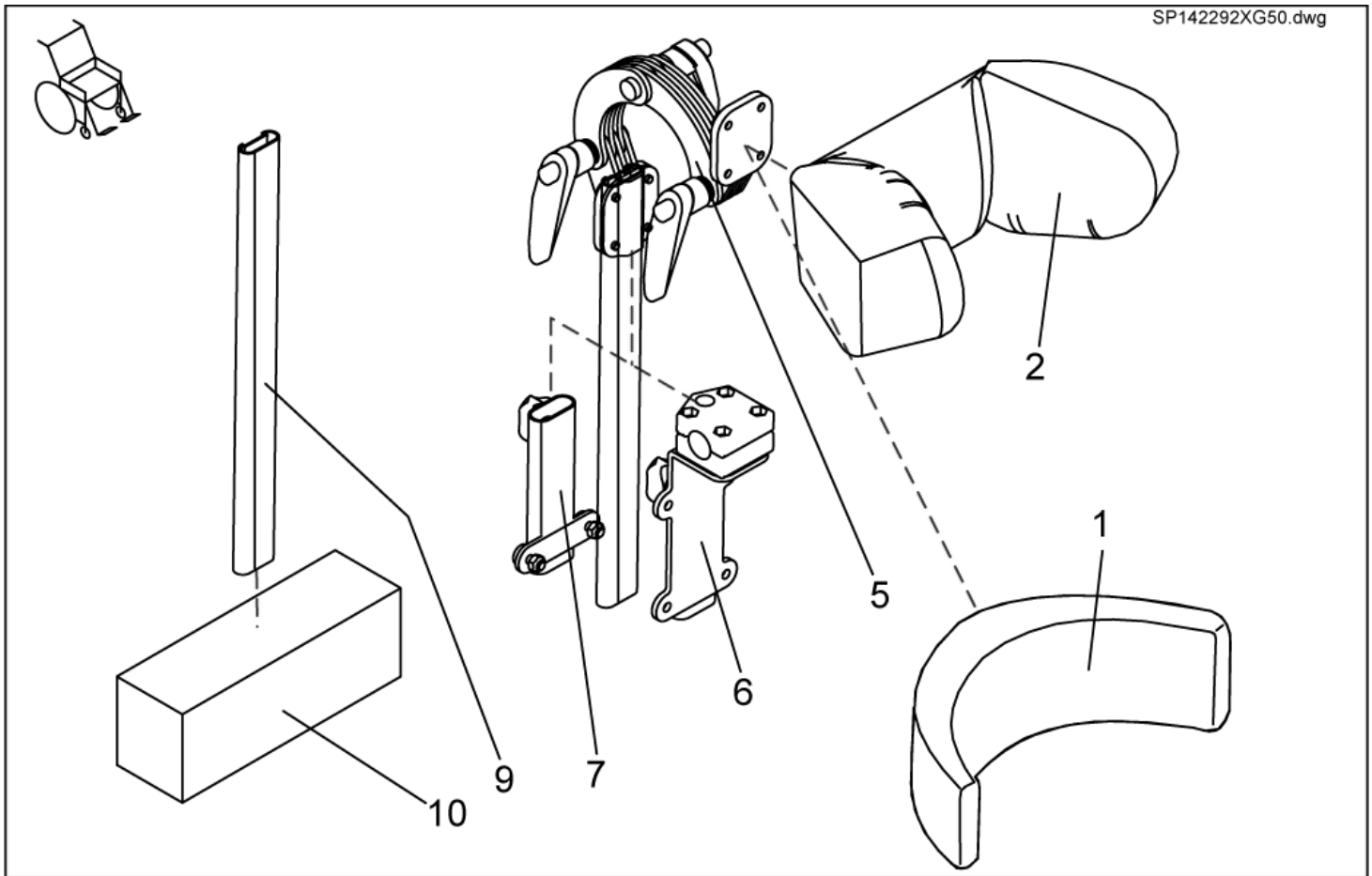
14228XX.dwg



item	ordercode	description	quantity
1	1422869	POSITIONING STRAP WITH VELCRO CPL. FOR STANDARD-SEAT	1
1	1422870	POSITIONING STRAP WITH VELCRO CPL. FOR FLEX/CONTOUR-SEAT	1
1	F367002	SAFETY BELT WITH VELCRO FASTNER F. RECARO	1
2	1422845	POSITIONING STRAP WITH SNAP CPL. FOR STANDARD-SEAT	1
2	1422846	POSITIONING STRAP WITH SNAP CPL. FOR FLEX/CONTOUR	1
2	Z163001A	SAFETY BELT WITH SNAP LOCK AND VELCRO FASTNER FOR RECARO	1
3	1422848	HOLDING STRAP FOR STANDARD AND CONTOUR SEAT H-FORM CPL.	1
3	1422847	HOLDING STRAP FOR FLEX SEAT H-FORM CPL.	1
4	NA	SCREW-DOWN POINTS FOR RETAINING BELTS	2, 4

Headrests

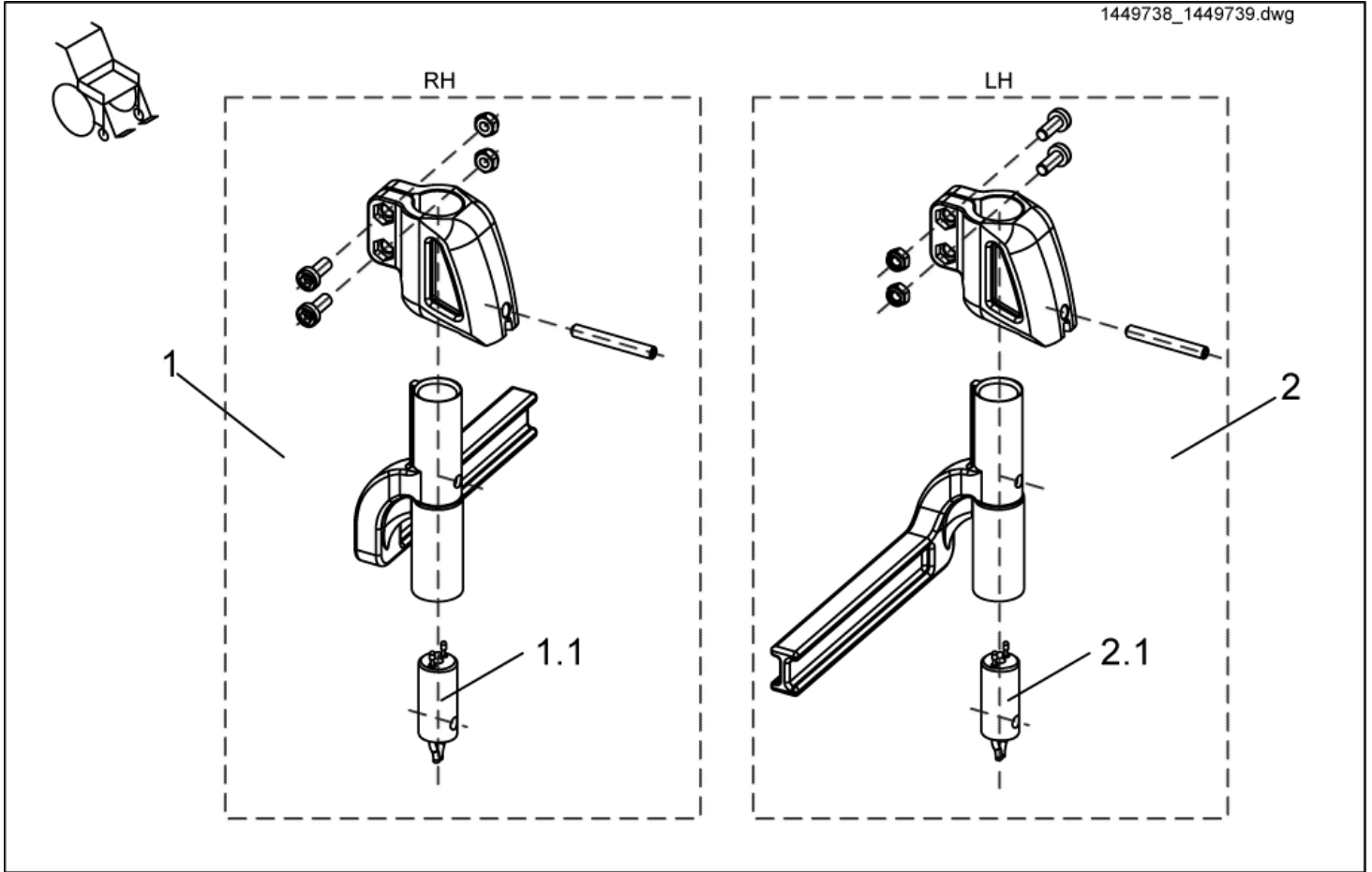
⚠ ONLY FOR SEAT SYSTEMS WITHOUT HEADREST !



item	ordercode	description	quantity
1,5	SP1422925	HEADREST STANDARD/CONTOUR BLACK CPL.	1
2,5	SP1423163	HEADREST FLEX GREY CPL.	1
2,5	SP1428092	HEADREST FLEX, DARTEX GREY, COMPLETE	1
2,5	SP1422926	HEADREST FLEX BLUE CPL.	1
2,5	SP1440285	HEADREST FLEX, BLACK COMPLETE	1
1	1422865	HEADREST PAD STD./CONTOUR BLACK	1
2	5252230-TR04	HEADREST PAD FLEX GREY	1
2	1422544	HEADREST PAD FLEX BLUE	1
5	5255497	HEADREST HOLDER	1
6	SP1422914	HEADREST HOLDER F. STD. SEAT SYSTEM CPL.	1
7	SP1422547	HEADREST HOLDER F. CONTOUR/FLEX. SEAT SYSTEM CPL.	1
9	1422921	HOLDER F. BACKREST EXTENSION	1
10	5253035-TR04	BACKREST EXTENSION FOR FLEX SEAT SB 39CM, VINYL GREY	1
10	5253035-TR23	BACKREST EXTENSION REA 704 SB 39, DARTEX GREY	1
10	SP1422918	BACKREST EXTENSION FLEX SB 39, BLUE	1
10	SP1436567	BACKREST EXTENSION FLEX SB 39, BLACK	1
10	5253036-TR04	BACKREST EXTENSION FOR FLEX SEAT SB 44CM, VINYL GREY	1
10	5253036-TR23	BACKREST EXTENSION FOR FLEX SEAT SB 44CM, DARTEX GREY	1
10	SP1422919	BACKREST EXTENSION FOR FLEX SEAT SB 44CM, BLUE	1
10	SP1436568	BACKREST EXTENSION FOR FLEX SEAT SB 44CM, BLACK	1
10	5253037-TR04	BACKREST EXTENSION FOR FLEX SEAT SB 49CM, VINYL GREY	1
10	5253037-TR23	BACKREST EXTENSION FOR FLEX SEAT SB 49CM, DARTEX GREY	1
10	SP1422920	BACKREST EXTENSION FOR FLEX SEAT SB 49CM, BLUE	1
10	SP1440283	BACKREST EXTENSION FOR FLEX SEAT SB 49CM, BLACK	1

Legrest Bracket, Electric 8cm

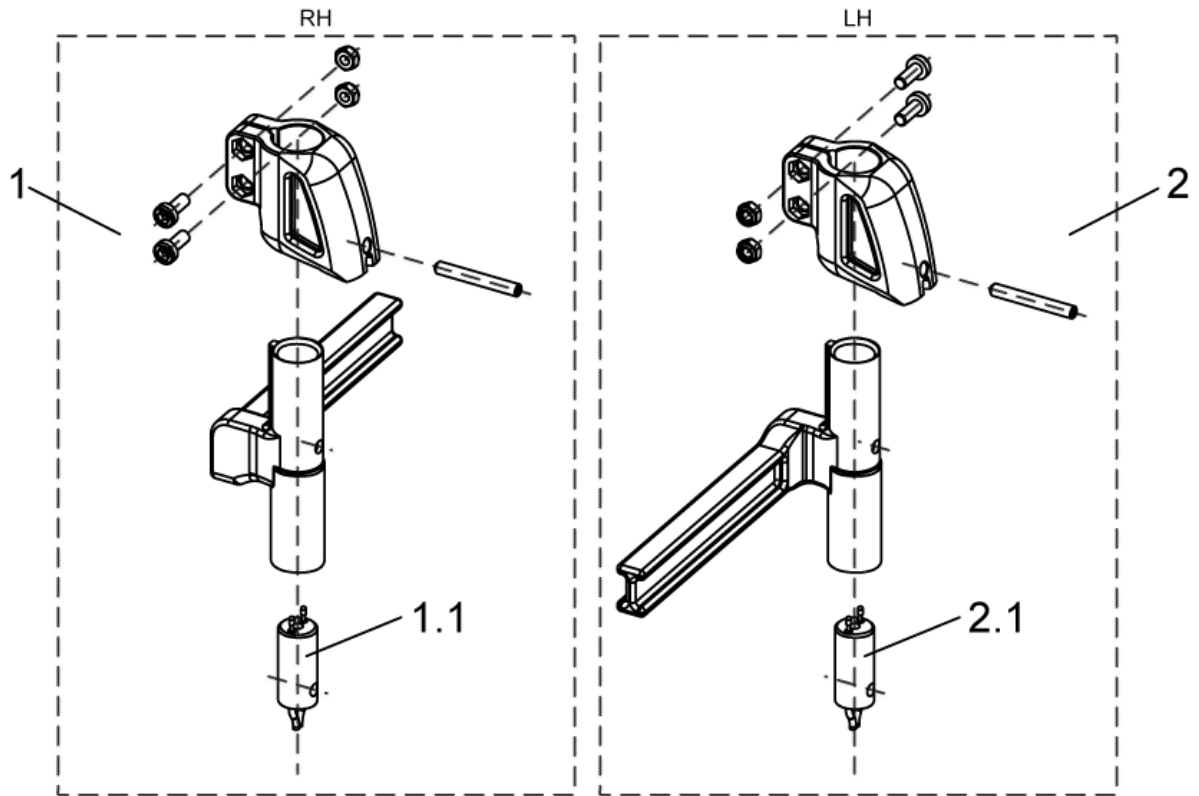
1449738_1449739.dwg



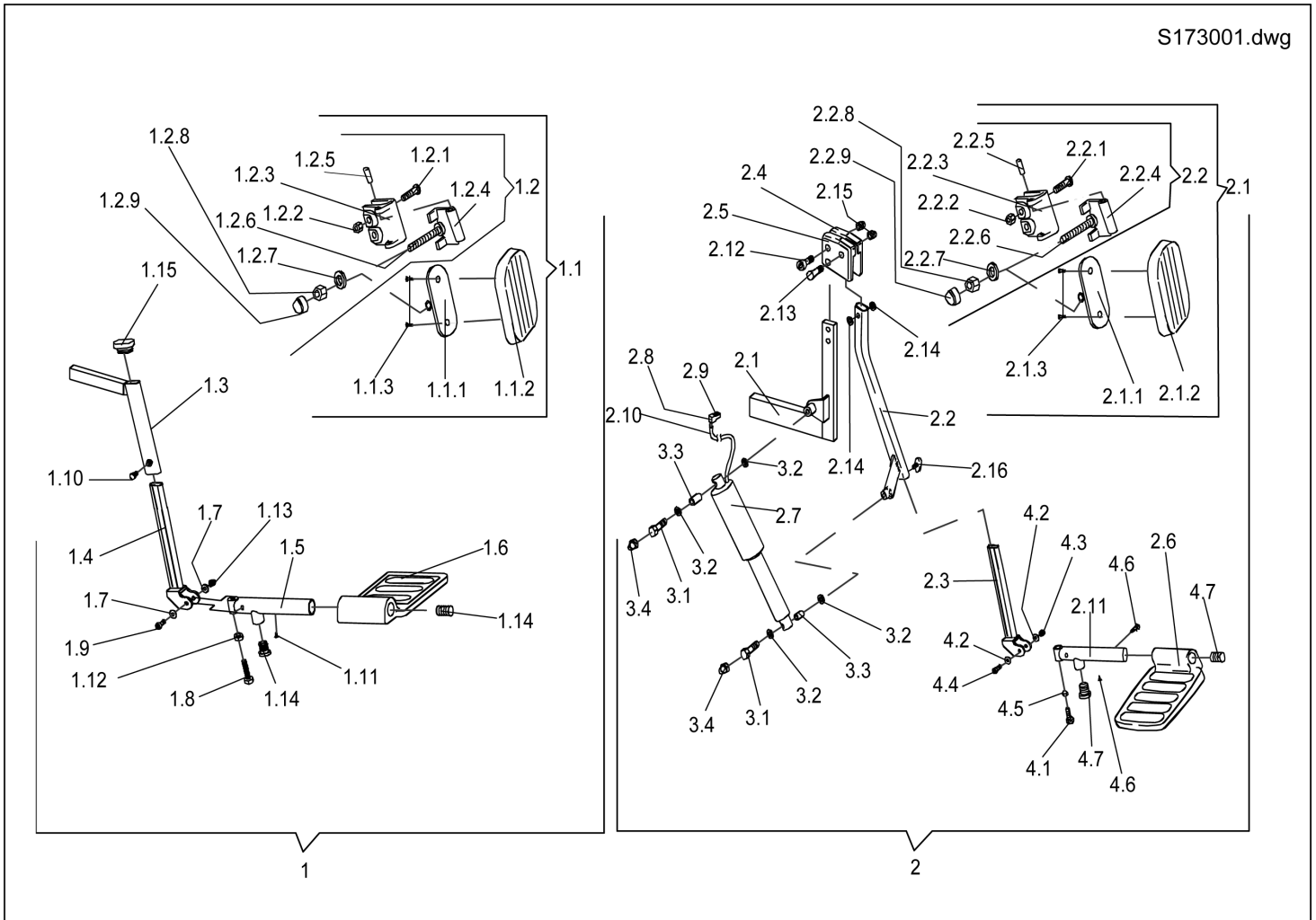
item	ordercode	description	quantity
1	SP1449738	FOOTREST BRACKET CPL., RH ELECTRIC 8CM	1
1.1	1450228	POWER SUPPLY CABLE FOOTREST, LONG (BLACK ADAPTER)	1
2	SP1449739	FOOTREST BRACKET CPL., LH ELECTRIC 8CM	1
2.1	1450228	POWER SUPPLY CABLE FOOTREST, LONG (BLACK ADAPTER)	1

Legrest Bracket, Electric 5cm

1449314_1449735.dwg

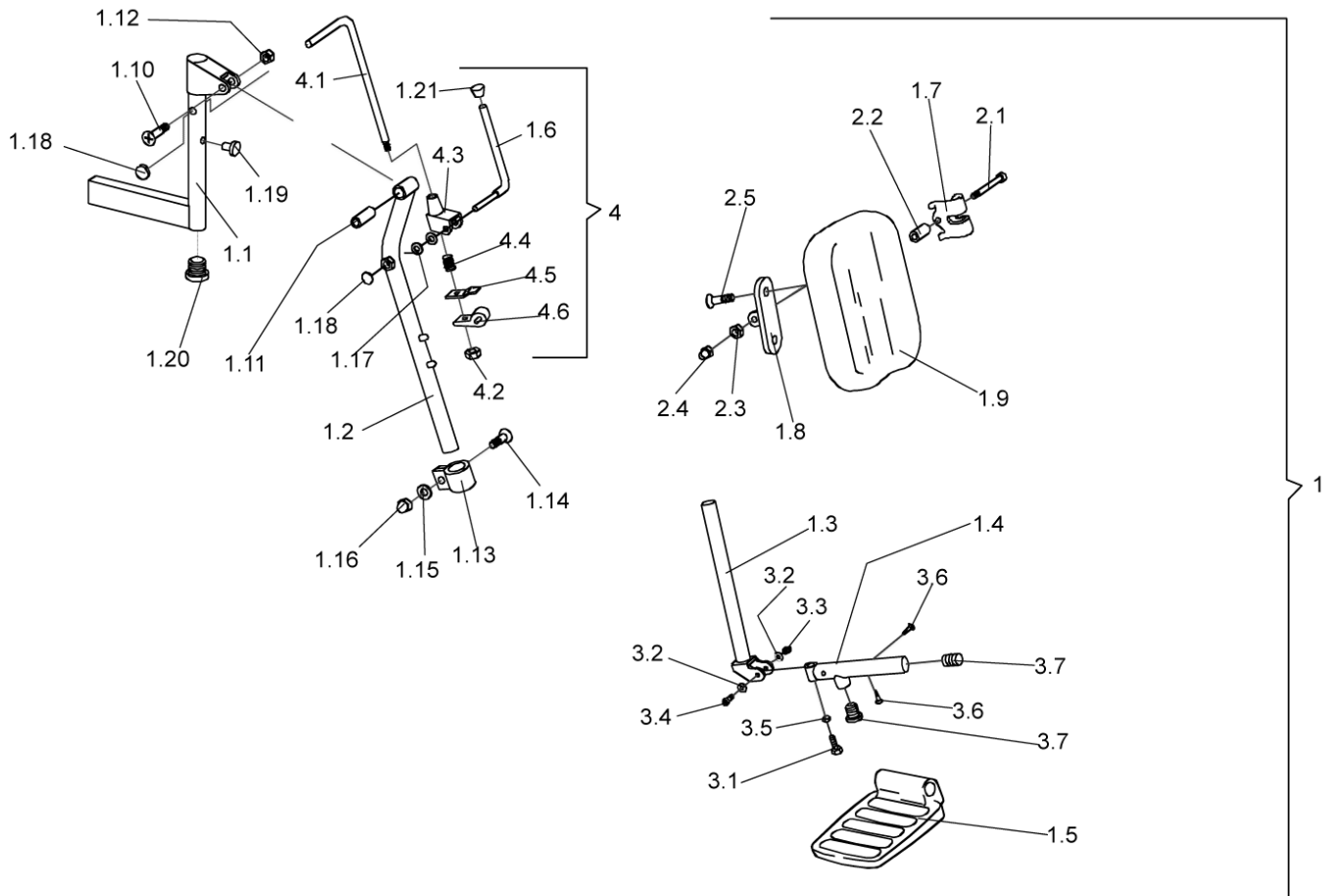


item	ordercode	description	quantity
1	SP1449314	FOOTREST BRACKET, CPL., ELECTRIC RH 5CM	1
1.1	1450228	POWER SUPPLY CABLE FOOTREST, LONG (BLACK ADAPTER)	1
2	SP1449735	FOOTREST BRACKET, CPL., ELECTRIC LH 5CM	1
2.1	1450228	POWER SUPPLY CABLE FOOTREST, LONG (BLACK ADAPTER)	1



item	ordercode	description	quantity
1	S173001	LEGREST ASSY RH	1
1	S173002	LEGREST ASSY LH	1
1.3	NA	HANGER RH; RAL 9005 BLACK	1
1.3	NA	HANGER LH; RAL 9005 BLACK	1
1.4	S173018.P40	EXTENSION TUBE RH; RAL 9005 BLACK	1
1.4	S173017.P40	EXTENSION TUBE LH; RAL 9005 BLACK	1
1.5	S173009.P40	FOOT-PLATE TUBE; RAL 9005 DEEP BLACK	1
1.6	Z173128	FOOT PLATE	1
---	Z173167	STANDARD LEG SUPPORT FIXING KIT	1
1.7	S173014	WASHER 6 X 17 X 2,5	2
1.8	D08126	HEX HEAD SCREW M6 X 45	1
1.9	D08125	HEX HEAD SCREW M6 X 40	1
1.10	D08109	HEX HEAD SCREW M6 X 10	1
1.11	D90188	SELF-TAPPING CROSS HEAD SCREW 4,2 X 13	2
1.12	F00103	HEX NUT M6	1
1.13	F60106	DOMED NYLOC NUT M6, SELF-LOCKING	1
1.14	L01008	TUBE END PLUG SL 22	2
1.15	L01053	TUBE END PLUG FO 30 X 15	1
1.1	Z173008	CALF BRACKET ASSY	1
1.1.1	Z17036B.99	CALF SUPPORT BRACKET; ZINC PLATED	1
1.1.2	NA	CALF SUPPORT; ZINC PLATED	1
1.1.3	D36121	DOMED CROSSHEAD SELF TAPPING SCREW 4,8 X 19	2
1.2	Z174114	CALF SUPPORT BRACKET SPARE PART	1
1.2.1	NA	CROSS HEAD SCREW M5 X 25	2

item	ordercode	description	quantity
1.2.2	F20103	NYLOC NUT M5	2
1.2.4	S173019.99	HINGE	1
1.2.5	J30108	DOWEL 5 X 20	2
1.2.6	NA	FLAT HEAD SOCKET HEAD SCREW M8 X 60	1
1.2.7	G00106	WASHER 8,4 X 17 X 1,6	1
1.2.8	F20105	NYLOC NUT M8 DIN 985	1
1.2.9	L01041	NUT CAP M8	1
2	S174013	ELECTRIC ELEVATING LEGREST CPL. LH	1
2	S174014	ELECTRIC ELEVATING LEGREST CPL. RH	1
2.1	S174018.P40	HANGER LH; RAL 9005 BLACK	1
2.1	S174019.P40	HANGER RH; RAL 9005 BLACK	1
2.1	NA	HANGER LH; RAL 9005 BLACK	1
2.1	NA	HANGER RH; RAL 9005 BLACK	1
2.2	F374024.P40	SWIVEL ARM LH; RAL 9005 BLACK	1
2.2	F374023.P40	SWIVEL ARM RH; RAL 9005 BLACK	1
2.2	NA	SWIVEL ARM LH; RAL 9005 BLACK	1
2.2	NA	SWIVEL ARM RH; RAL 9005 BLACK	1
2.3	S173017.P40	EXTENSION TUBE LH; RAL 9005 BLACK	1
2.3	S173018.P40	EXTENSION TUBE RH; RAL 9005 BLACK	1
2.4	Z174101.P40	HINGE WITH HEX. HOLE LH; RAL 9005 BLACK	1
2.4	Z174100.P40	HINGE WITH HEX. HOLE RH; RAL 9005 BLACK	1
2.5	Z174102.P40	HINGE WITH COUNTERSUNK HOLE RH; RAL 9005 BLACK	1
2.5	Z174103.P40	HINGE WITH COUNTERSUNK HOLE RH; RAL 9005 BLACK	1
2.7	P00084	ACTUATOR LA 22.5E-100-24 VDC W. CABLE 1000 MM	1
2.7	1493190	ACTUATOR LA 22.5E-100-24 VDC W. CABLE 1000 MM + Plug	1
2.8	P40183	CONNECTOR MT-6-F	1
2.9	P40055	CAP MT6 F/M; RED	1
2.10	P22279	BRAIDED HOSE DM 9.4 MM M L=20MM; BLACK	1
2.11	S173009.P40	FOOT-PLATE TUBE; RAL 9005 DEEP BLACK	1
2.12	NA	SOCKET HEAD CAP SCREW M6 X 30	2
2.13	D10125	COUNTERSUNK CROSS HEAD SCREW M6 X 35	1
2.14	G10502	WASHER 20 X 7,9 X 1	4
2.15	F60106	DOMED NYLOC NUT M6, SELF-LOCKING	3
2.16	L31001	HAND KNOB M6 X 10	1
----	Z173170	ELECTRIC ELEVATING LEGREST FIXING KIT	1
3.1	NA	HEX HEAD SCREW M8 X 35	2
3.2	G00106	WASHER 8,4 X 17 X 1,6	4
3.3	4000665	BUSH 10 X 1 X 22,5	2
3.4	L01041	NUT CAP M8	2
----	Z173172	ADJUSTABLE ANGLE LOWER LEGREST FIXING KIT	1
4.1	D08126	HEX HEAD SCREW M6 X 45	1
4.2	S173014	WASHER 6 X 17 X 2,5	2
4.3	F60106	DOMED NYLOC NUT M6, SELF-LOCKING	1
4.4	D08125	HEX HEAD SCREW M6 X 40	1
4.5	F00103	HEX NUT M6	1
4.6	D90188	SELF-TAPPING CROSS HEAD SCREW 4,2 X 13	2
4.7	L01008	TUBE END PLUG SL 22	2
2.1	Z173008	CALF BRACKET ASSY	1
2.1.1	Z17036B.99	CALF SUPPORT BRACKET; ZINC PLATED	1
2.1.2	NA	CALF SUPPORT; ZINC PLATED	1
2.1.3	D36121	DOMED CROSSHEAD SELF TAPPING SCREW 4,8 X 19	2
2.2	Z174114	CALF SUPPORT BRACKET SPARE PART	1
2.2.1	NA	CROSS HEAD SCREW M5 X 25	2
2.2.2	F20103	NYLOC NUT M5	2
2.2.3	C17016A	CALF SUPPORT CLAMP	1
2.2.4	NA	HINGE CPL.	1
2.2.5	J30108	DOWEL 5 X 20	2
2.2.6	NA	FLAT HEAD SOCKET HEAD SCREW M8 X 60	1
2.2.7	G00106	WASHER 8,4 X 17 X 1,6	1
2.2.8	F20105	NYLOC NUT M8 DIN 985	1
2.2.9	L01041	NUT CAP M8	1

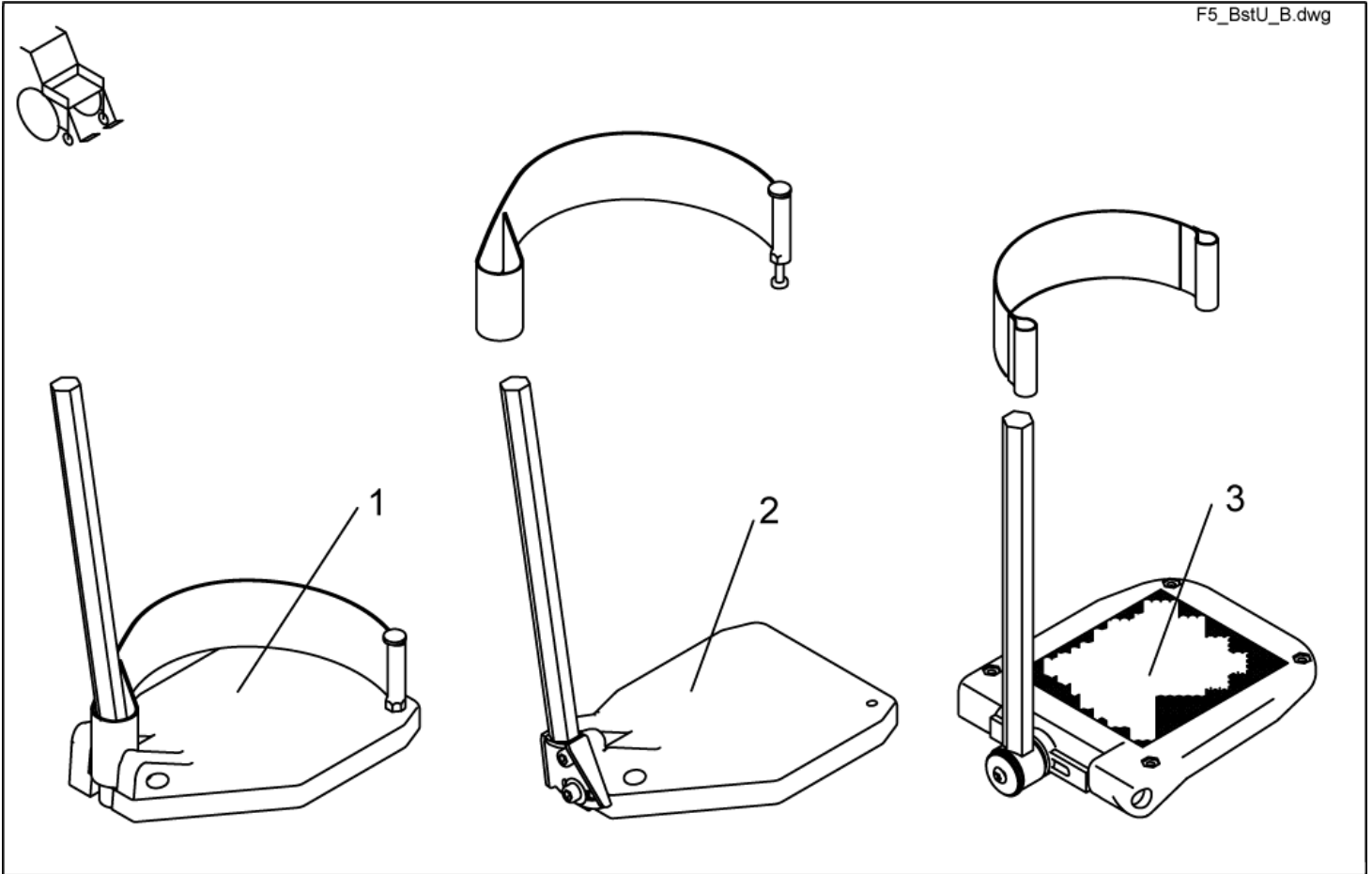


item	ordercode	description	quantity
1	S174011	ELEVATING LEGREST CPL. LH	1
1	S174012	ELEVATING LEGREST CPL. RH	1
1.1	S174009.P40	HANGER LH; RAL 9005 BLACK	1
1.1	S174010.P40	HANGER RH; RAL 9005 BLACK	1
1.2	Z17180C.00	SWIVEL TUBE	1
1.3	Z173151.00	INSERT TUBE F. LEGREST /W MANUAL HEIGHT ADJ.	1
1.4	S173009.00	FOOTPLATE TUBE; CHROME PLATED	1
1.5	Z173128	FOOT PLATE	1
1.6	H174018A.99	RELEASE LEVER LH, DIN-671; ZINC PLAT	1
1.6	H174017A.99	RELEASE LEVER RH, DIN-671; ZINC PLATED	1
1.7	Z17037A.99	HINGE	1
1.8	Z17036B.99	CALF SUPPORT BRACKET; ZINC PLATED	1
1.9	6301333	CALF SUPPORT	1
----	Z173169	ELEVATING LEG REST FIXING KIT (UPPER SECTION)	1
1.10	D10125	COUNTERSUNK CROSS HEAD SCREW M6 X 35	1
1.11	Z174008A	BUSH 18 X 6 X 22	1
1.12	F60106	DOMED NYLOC NUT M6, SELF-LOCKING	1
1.13	5006720	CLAMP 22 MM	1
1.14	E30101	CUP HEAD NIBBED BOLT M8 X 25	1
1.15	G00106	WASHER 8,4 X 17 X 1,6	1
1.16	F60208	DOMED NYLOC NUT M8 X 1	1
1.17	G10502	WASHER 20 X 7,9 X 1	2
1.18	K32397	STARLOCK CAP 8 MM	2
1.19	L90990	GROMMET 13 X 4 X 8 MM	1

item	ordercode	description	quantity
1.20	L01008	TUBE END PLUG SL 22	1
1.21	L01065	CAP A8	1
----	Z173168	CALF SUPPORT FIXING KIT	1
2.1	D50140	SOCKET HEAD CAP SCREW M8 X 80	1
2.2	Z174015A	BUSH 15 X 3,35 X 22	1
2.3	F20105	NYLOC NUT M8 DIN 985	1
2.4	L01041	NUT CAP M8	1
2.5	D36121	DOMED CROSSHEAD SELF TAPPING SCREW 4,8 X 19	2
---	Z173172	ADJUSTABLE ANGLE LOWER LEGREST FIXING KIT	1
3.1	D08126	HEX HEAD SCREW M6 X 45	1
3.2	S173014	WASHER 6 X 17 X 2,5	2
3.3	F60106	DOMED NYLOC NUT M6, SELF-LOCKING	1
3.4	D08125	HEX HEAD SCREW M6 X 40	1
3.5	F00103	HEX NUT M6	1
3.6	D90188	SELF-TAPPING CROSS HEAD SCREW 4,2 X 13	2
3.7	L01008	TUBE END PLUG SL 22	2
4	Z174041A	LEGREST LOCKING SUB	1
4	1496328	RÜCKSTELLSPERRE F. BEINSTÜTZE MAN. HÖHENVERSTELLB. KPL. LH	1
4.1	Z173024A.99	ROD	1
4.2	F60106	DOMED NYLOC NUT M6, SELF-LOCKING	1
4.3	5001839	LOCKING CASE	1
4.4	0461950	SPRING	1
4.5	0464320	RELEASE PLATE F. BACK-LOCKING	1
4.6	0464333	RELEASE BLOCK F. BACK-LOCKING	1

Footrest Lower Parts

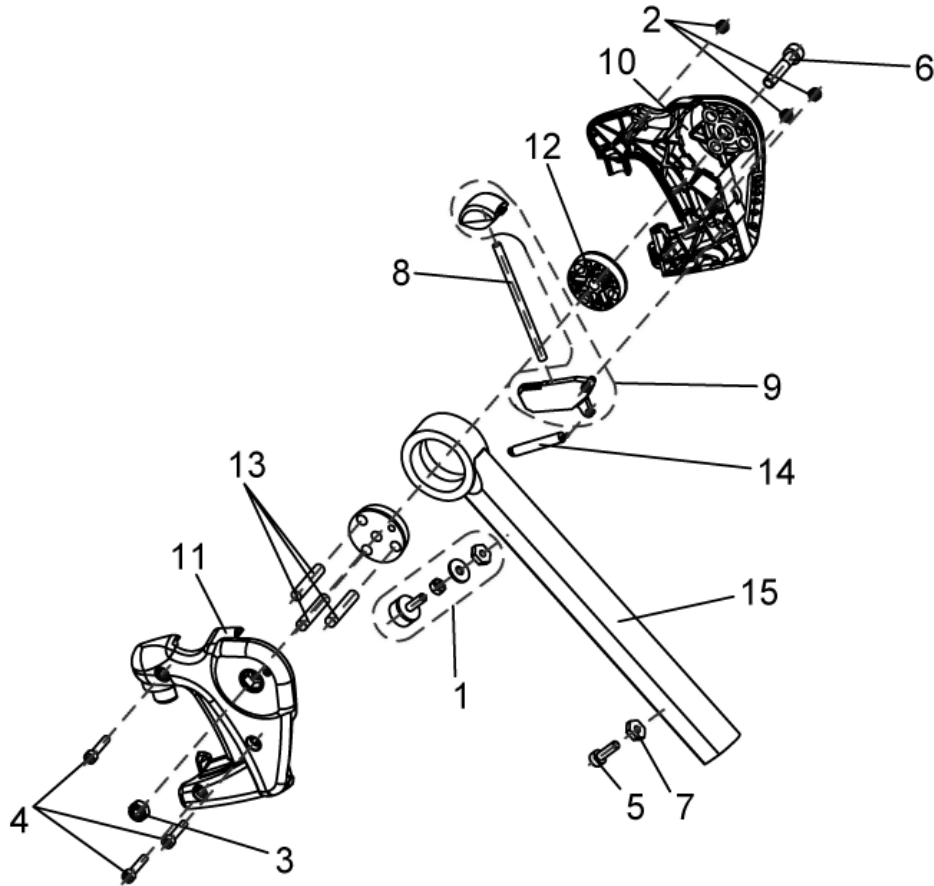
F5_BstU_B.dwg



item	ordercode	description	quantity
1	SP1421663	LOWER FOOTREST LH, CPL.	1
1	SP1421662	LOWER FOOTREST RH, CPL.	1
2	SP1421665	LOWER FOOTREST, ANGLE ADJUSTABLE LH CPL.	1
2	SP1421664	LOWER FOOTREST, ANGLE ADJUSTABLE RH CPL.	1
3	SP1419344	FOOT PLATE LH ANGLE AND DEPTH ADJUSTABLE CPL.	1
3	SP1419345	FOOT PLATE RH ANGLE AND DEPTH ADJUSTABLE CPL.	1

Upper Vari F, Right

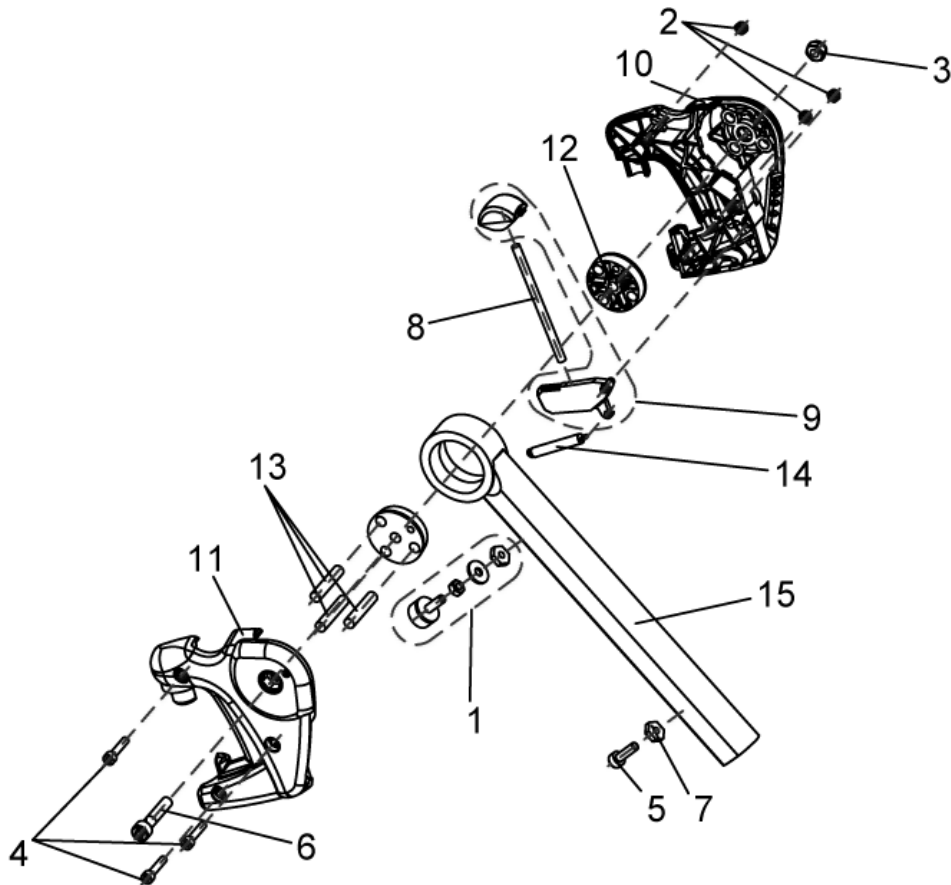
1449346.dwg



item	ordercode	description	quantity
-	SP1449346	UPPER VARI F, RH COMPLETE	1
1	1449154	RUBBER STOP COMPLETE, VARI A / VARI F	1
2	NA	HEX NUT M5 SELF-LOCKING	3
3	NA	NYLOC NUT M8 SELF-LOCKING, DIN 985	1
4	NA	SOCKET HEAD CAP SCREW M5 X 25	3
5	NA	SOCKET HEAD CAP SCREW M6 X 20	1
6	NA	SOCKET HEAD CAP SCREW M8 X 40	1
7	Z173189.99	NUT M6 WIDTH ACROSS FLATS 14	2
8	NA	PUSH ROD	1
9	1449167	RELEASE BUTTON + LOCK LEVER	1
10	Z173181	LEGREST HANGER COVER LH, VARI F	1
11	Z173182	LEGREST HANGER COVER RH, VARI F	1
12	Z173188	CONED WASHER	2
13	NA	DOWEL RD. 8 X 40	3
14	Z173178	PULL SPRING	1
15	Z173185-9005	LEGREST HANGER VARI F	1

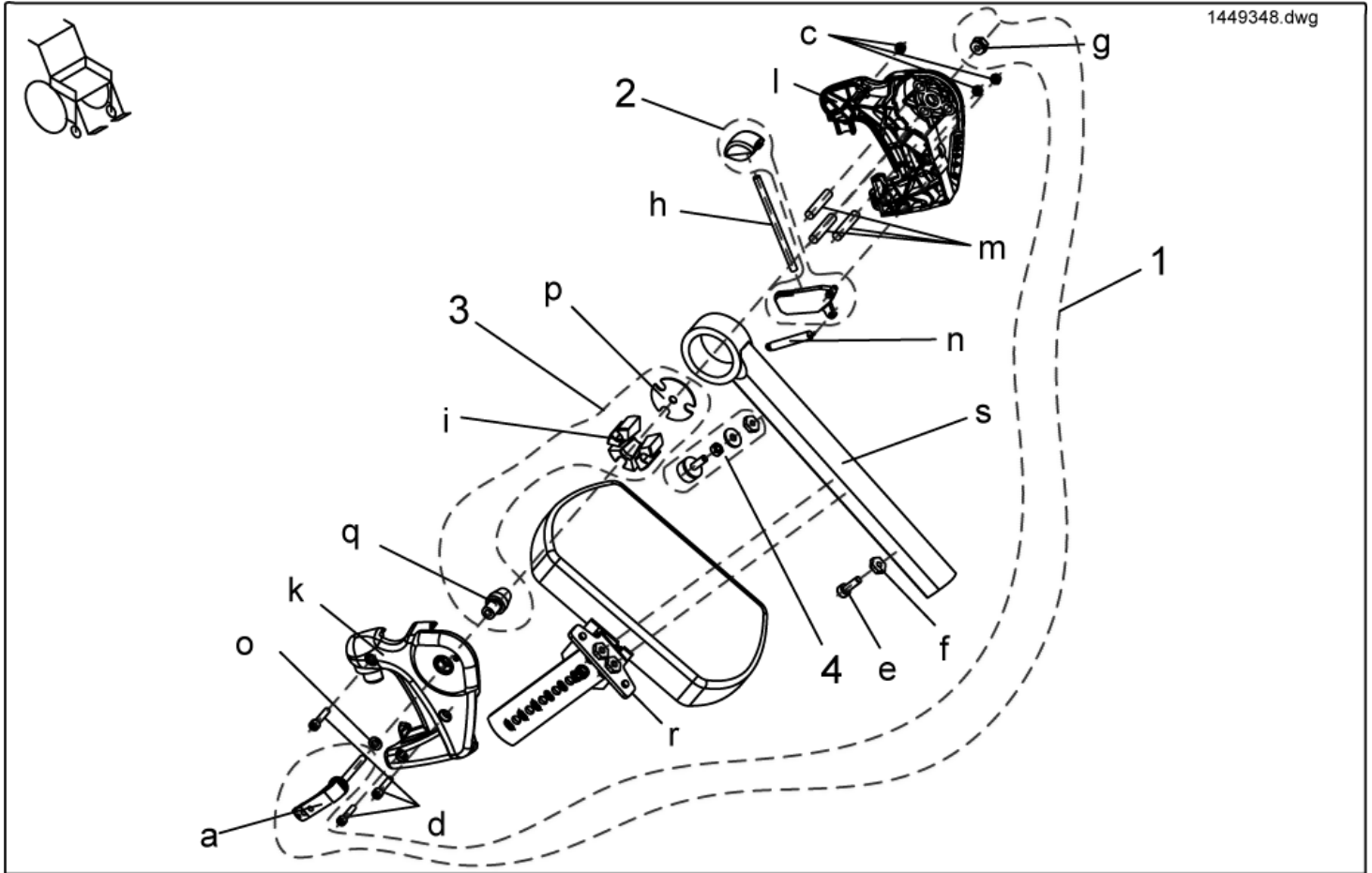
Upper Vari F, Left

1449347.dwg



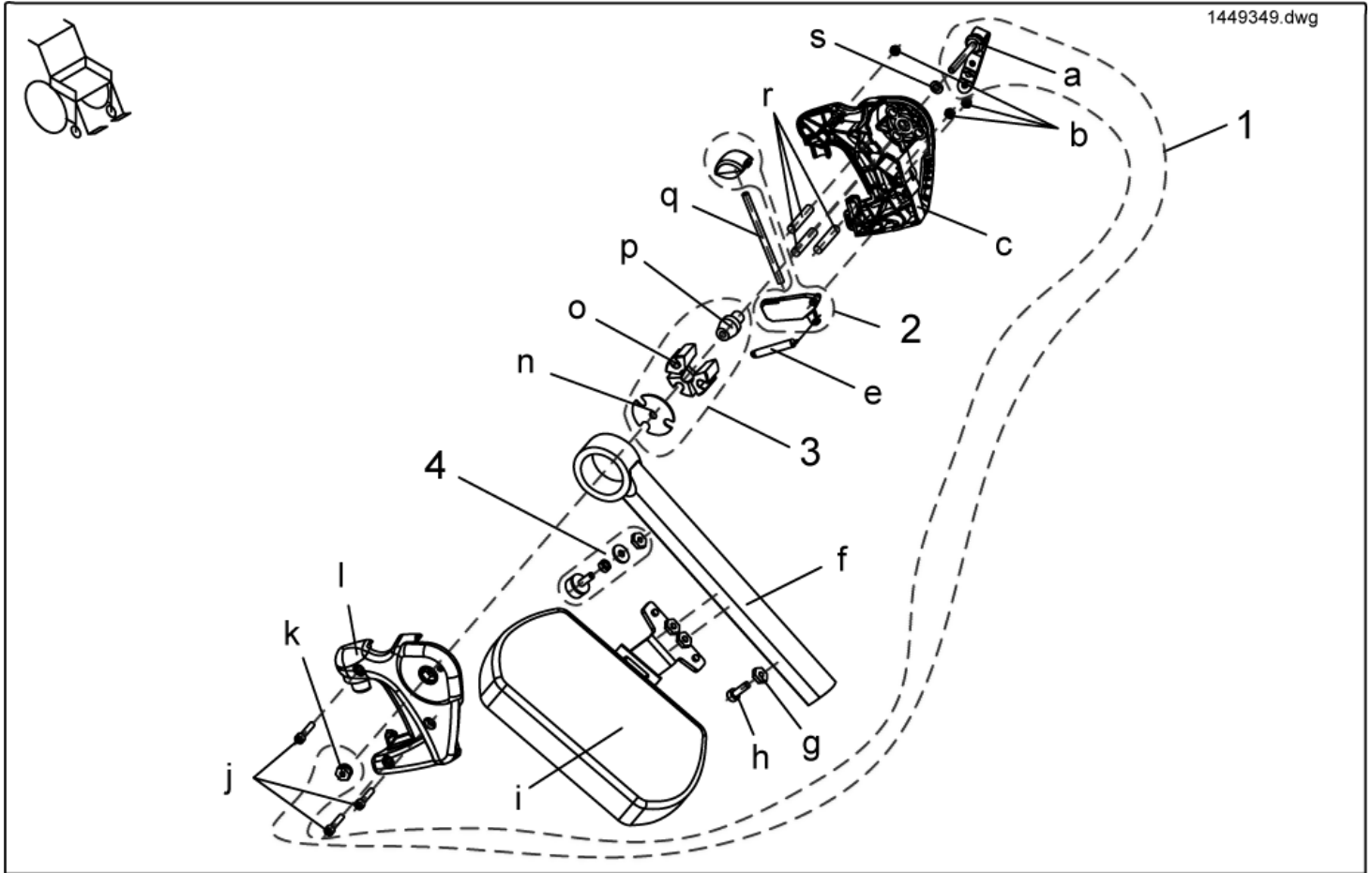
item	ordercode	description	quantity
-	SP1449347	UPPER VARI F, LH COMPLETE	1
1	1449154	RUBBER STOP COMPLETE, VARI A / VARI F	1
2	NA	HEX NUT M5 SELF-LOCKING	3
3	NA	NYLOC NUT M8 SELF-LOCKING, DIN 985	1
4	NA	SOCKET HEAD CAP SCREW M5 X 25	3
5	NA	SOCKET HEAD CAP SCREW M6 X 20	1
6	NA	SOCKET HEAD CAP SCREW M8 X 40	1
7	Z173189.99	NUT M6 WIDTH ACROSS FLATS 14	2
8	NA	PUSH ROD	1
9	1449167	RELEASE BUTTON + LOCK LEVER	1
10	Z173181	LEGREST HANGER COVER LH, VARI F	1
11	Z173182	LEGREST HANGER COVER RH, VARI F	1
12	Z173188	CONED WASHER	2
13	NA	DOWEL RD. 8 X 40	3
14	Z173178	PULL SPRING	1
15	Z173185-9005	LEGREST HANGER VARI F	1

Upper Vari A, Right



item	ordercode	description	quantity
-	SP1449348	UPPER VARI A COMPLETE, RH	1
1	1450597	ASSEMBLY KIT, VARI A CLAMPING LEVER	1
2	1449167	ASSEMBLY KIT, RELEASE BUTTON + LOCK LEVER	1
3	1450598	ASSEMBLY KIT, VARI A , CLAMPING BLOCK	1
4	1449154	ASSEMBLY KIT, RUBBER STOP COMPLETE, VARI A / VARI F	1
a	NA	CLAMPING LEVER M6	1
c	NA	HEX NUT M5 SELF-LOCKING	3
d	NA	SOCKET HEAD CAP SCREW M5 X 25	3
e	NA	SOCKET HEAD CAP SCREW M6 X 20	1
f	NA	NUT M6 WIDTH ACROSS FLATS 14	2
g	NA	NUT M6 WIDTH ACROSS FLATS-13	1
h	NA	PUSH ROD	1
i	NA	CLAMP BLOCK	3
k	NA	LEGREST HANGER COVER RH	1
l	NA	LEGREST HANGER COVER LH	1
m	NA	DOWEL RD. 8 X 40	3
n	NA	PULL SPRING	1
o	NA	WASHER 6.4 X 12,5 X 1,6 BLACK ZINC-PLATED	1
p	NA	LOCATING PLATE	1
q	NA	CONE	1
r	NA	CALF PLATE BRACKET RH, SWIVELLING	1
s	NA	LEGREST HANGER VARI A	1

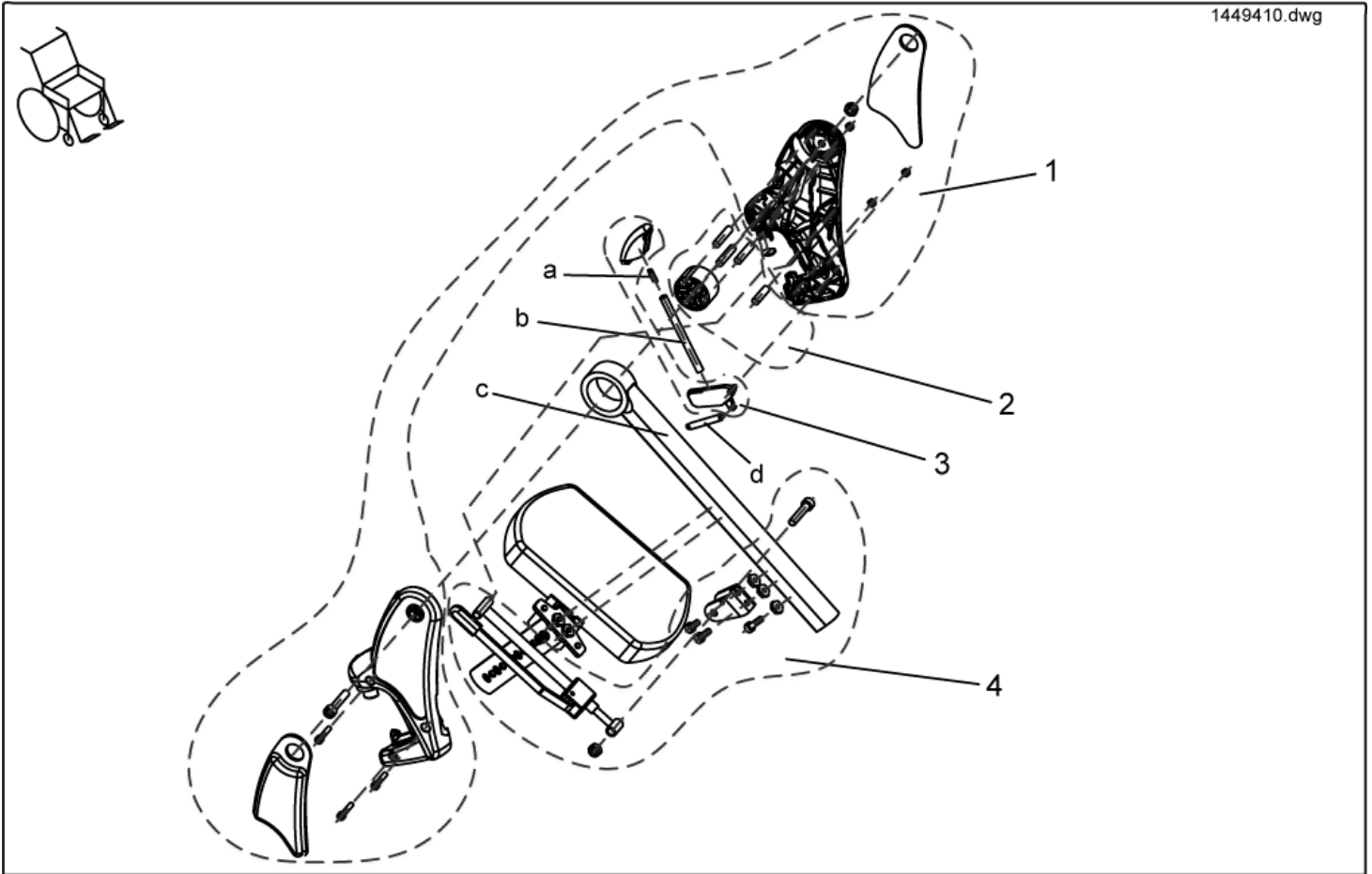
Upper Vari A, Left



item	ordercode	description	quantity
-	SP1449349	UPPER VARI A COMPLETE, LH	1
1	1450597	ASSEMBLY KIT, VARI A CLAMPING LEVER	1
2	1449167	ASSEMBLY KIT, RELEASE BUTTON + LOCK LEVER	1
3	1450598	ASSEMBLY KIT, VARI A CLAMPING BLOCK	1
4	1449154	ASSEMBLY KIT, RUBBER STOP COMPLETE, VARI A / VARI F	1
a	NA	CLAMPING LEVER M6	1
b	NA	HEX NUT M5 SELF-LOCKING	3
c	NA	LEGREST HANGER COVER, LH	1
e	NA	PULL SPRING	1
f	NA	LEGREST HANGER VARI A	1
g	NA	NUT M6 WIDTH ACROSS FLATS 14	2
h	NA	SOCKET HEAD CAP SCREW M6 X 20	1
i	NA	CALF PLATE BRACKET, LH, SWIVELLING	1
j	NA	SOCKET HEAD CAP SCREW M5 X 25	3
k	NA	M6 NUT, WIDTH ACROSS FLATS 13	1
l	NA	LEGREST HANGER COVER	1
n	NA	LOCATING PLATE	1
o	NA	CLAMP BLOCK	3
p	NA	CONE	1
q	NA	PUSH ROD	1
r	NA	DOWEL RD. 8 X 40, DIN-7	1
s	NA	WASHER 6.4 X 12,5 X 1,6	1

Upper ADM, Right

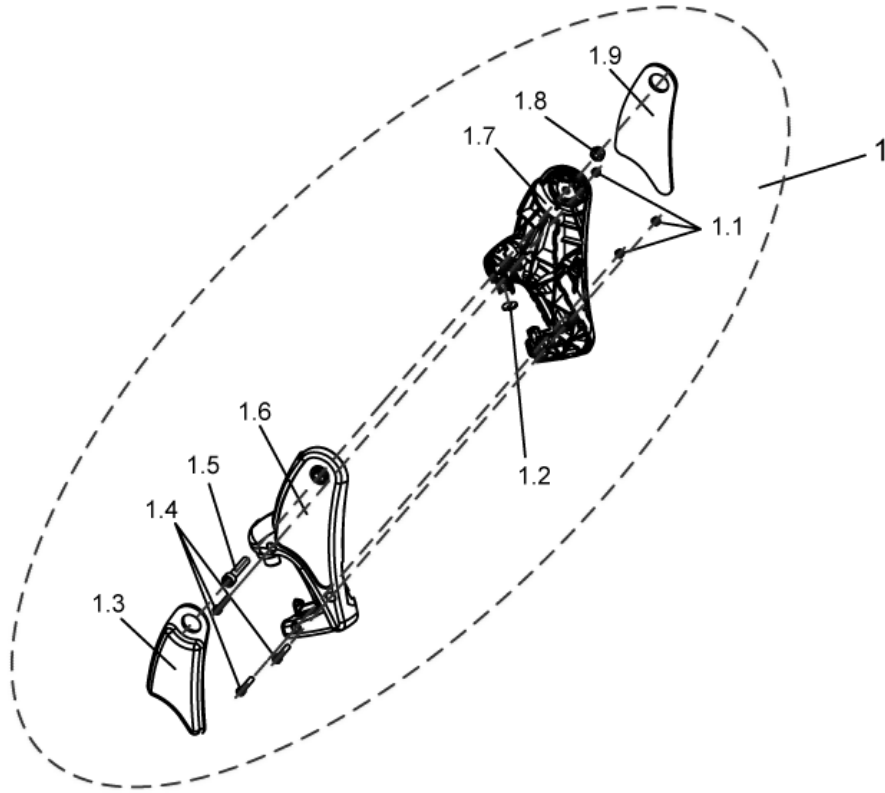
1449410.dwg



item	ordercode	description	quantity
-	SP1449410	COMPLETE UPPER ADM, RIGHT	1
1	NA	>>>SEE DETAILS ON "ASSEMBLY KIT, HANGERS"	1
2	NA	>>>SEE DETAILS ON "ASSEMBLY KIT, SLIDING BUSH"	1
3	NA	>>>SEE DETAILS ON TRIP LEVER + LOCK LEVER "	1
4	NA	>>>SEE DETAILS ON "ASSEMBLY KIT, ADM ADJUSTMENT"	1
a	NA	COMPRESSION SPRING L0=16, 4 D=0, 5 DA=5, 5	1
b	NA	PUSH ROD	1
c	Z173207-9005	LEGREST HANGER ADM RAL 9005	1
d	NA	PULL SPRING	1

Assembly Kit, ADM Hangers

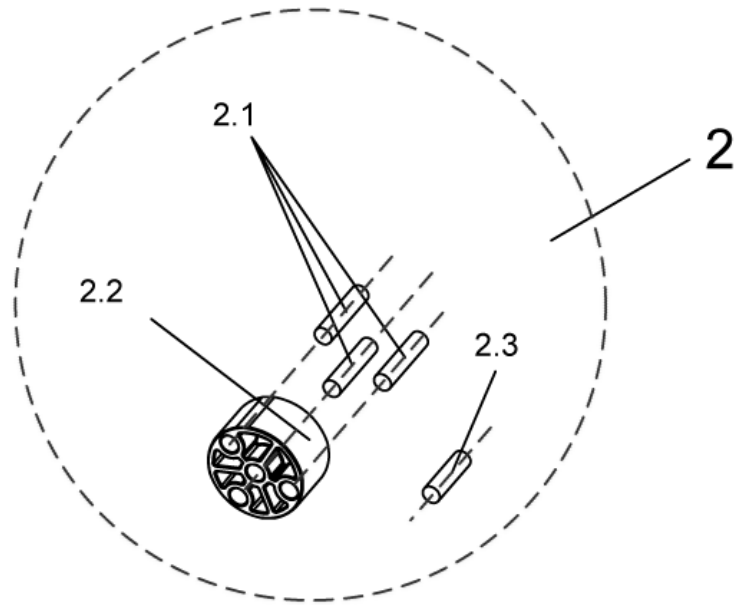
1449410_1.dwg



item	ordercode	description	quantity
1	1485604	ASSEMBLY KIT, ADM HANGERS	1
1.1	NA	HEX NUT M5 SELF-LOCKING	3
1.2	NA	ADP-PLATE	1
1.3	1450448	KNEE CUSHION, RH	1
1.4	NA	SOCKET HEAD CAP SCREW M5 X 25	3
1.5	NA	SOCKET HEAD CAP SCREW M8 X 40	2
1.6	NA	LEGREST HANGER COVER, RH	1
1.7	NA	LEGREST HANGER COVER, LH	1
1.8	NA	NYLOC NUT M8 SELF-LOCKING, DIN 985	2
1.9	Z174162	KNEE CUSHION, LH	1

Assembly Kit, ADM Sliding Bushing

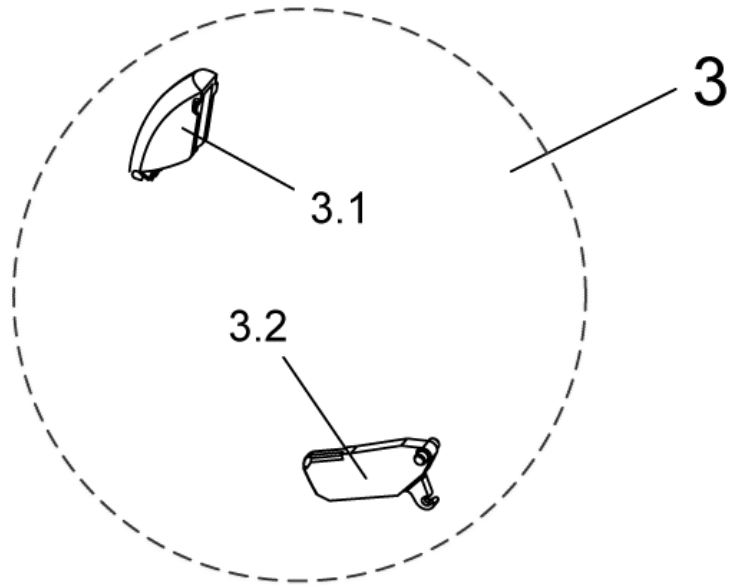
1449410_2.dwg



item	ordercode	description	quantity
2	1485605	ASSEMBLY KIT, ADM SLIDING BUSH	1
2.1	NA	DOWEL RD. 8 X 36	3
2.2	NA	SLIDING BUSHING	1
2.3	NA	DOWEL RD. 8 X 30	1

Assembly Kit, Trip Lever + Lock Lever

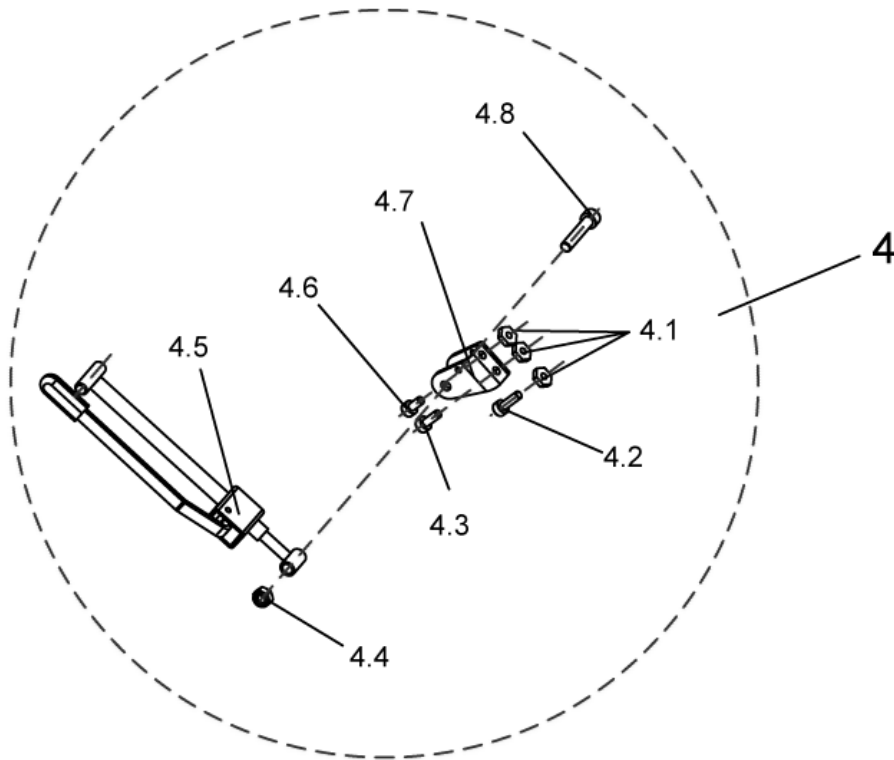
1449410_3.dwg



item	ordercode	description	quantity
3	1449155	TRIP LEVER + LOCK LEVER	1
3.1	NA	TRIP LEVER	1
3.2	NA	LOCK LEVER	1

Assembly Kit, ADM Adjustment

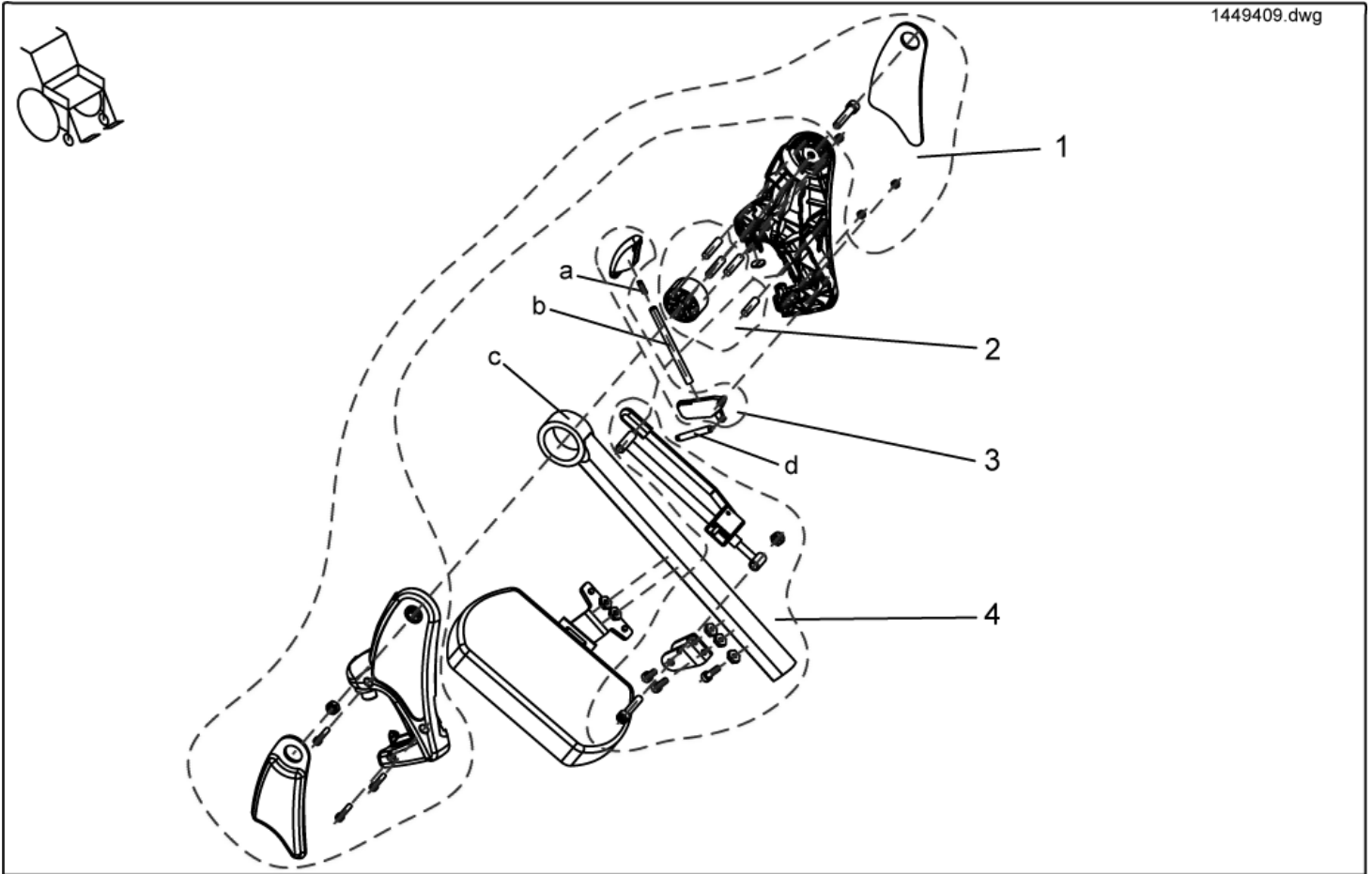
1449410_4.dwg



item	ordercode	description	quantity
4	1485606	ASSEMBLY KIT, ADM ADJUSTMENT	1
4.1	NA	NUT M6 WIDTH ACROSS FLATS 14	3
4.2	NA	SOCKET HEAD CAP SCREW M6 X 20	1
4.3	NA	SOCKET HEAD CAP SCREW M6 X 16	1
4.4	NA	NYLOC NUT M8 SELF-LOCKING, DIN 985	2
4.5	NA	ADM ADJUSTMENT MECHANISM CPL.	1
4.6	NA	SOCKET HEAD CAP SCREW M6 X 12	1
4.7	NA	ACTUATOR MOUNT	1
4.8	NA	SOCKET HEAD CAP SCREW M8 X 40	2

Upper ADM, Left

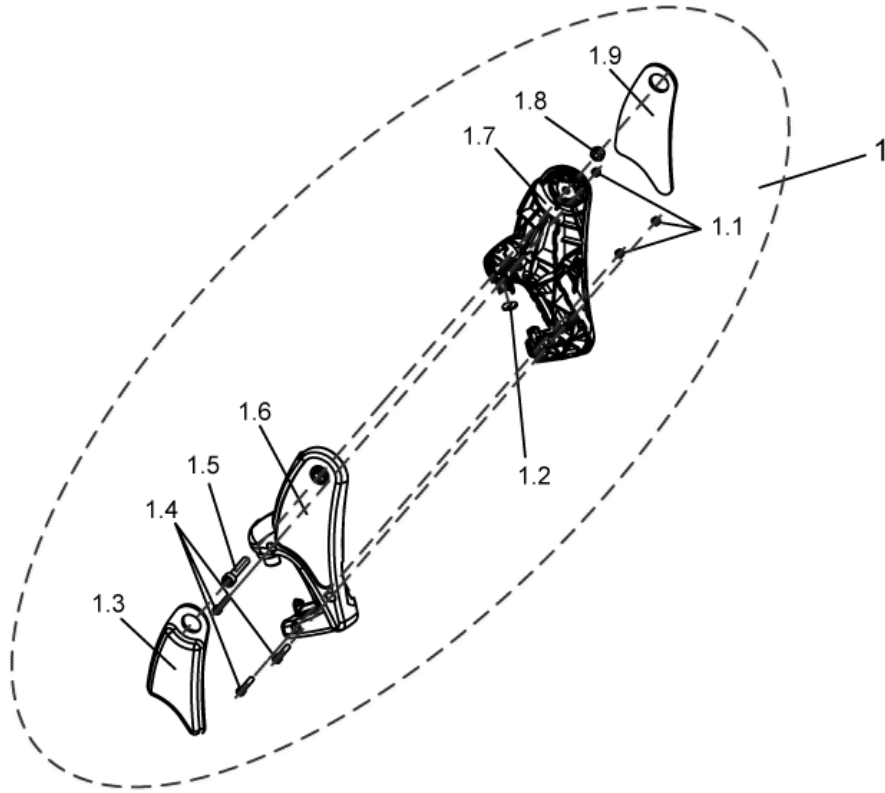
1449409.dwg



item	ordercode	description	quantity
-	SP1449409	COMPLETE UPPER ADM, LH	1
1	NA	>>>SEE DETAILS ON "ASSEMBLY KIT, HANGERS"	1
2	NA	>>>SEE DETAILS ON "ASSEMBLY KIT, SLIDING BUSH"	1
3	NA	>>>SEE DETAILS ON TRIP LEVER + LOCK LEVER "	1
4	NA	>>>SEE DETAILS ON "ASSEMBLY KIT, ADM ADJUSTMENT"	1
a	N12196	COMPRESSION SPRING L0=16, 4 D=0, 5 DA=5, 5	1
b	Z174113.99	PUSH ROD	1
c	Z173207-9005	LEGREST HANGER ADM RAL 9005	1
d	Z173178	PULL SPRING	1

Assembly Kit, Hangers

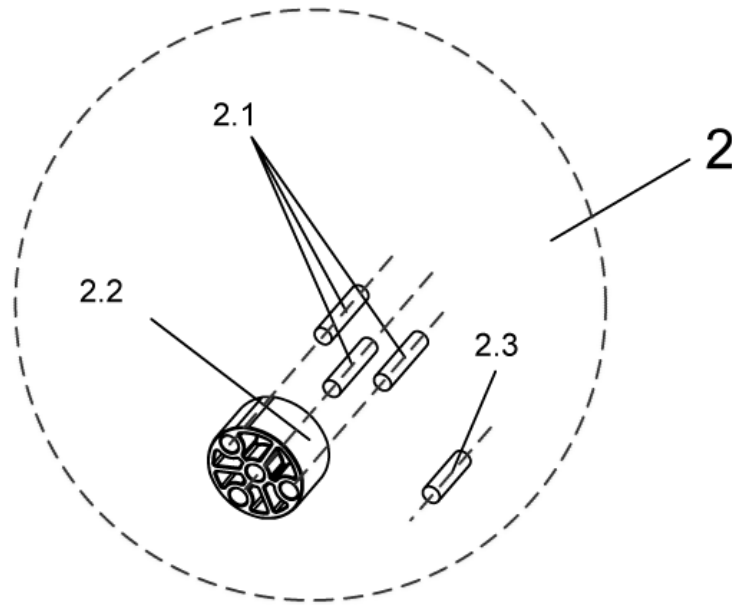
1449410_1.dwg



item	ordercode	description	quantity
1	1485604	ASSEMBLY KIT, ADM HANGERS	1
1.1	NA	HEX NUT M5 SELF-LOCKING	3
1.2	NA	ADP-PLATE	1
1.3	1450448	KNEE CUSHION, RH	1
1.4	NA	SOCKET HEAD CAP SCREW M5 X 25	3
1.5	NA	SOCKET HEAD CAP SCREW M8 X 40	2
1.6	NA	LEGREST HANGER COVER, RH	1
1.7	NA	LEGREST HANGER COVER, LH	1
1.8	NA	NYLOC NUT M8 SELF-LOCKING, DIN 985	2
1.9	Z174162	KNEE CUSHION, LH	1

Assembly Kit, ADM Sliding Bush

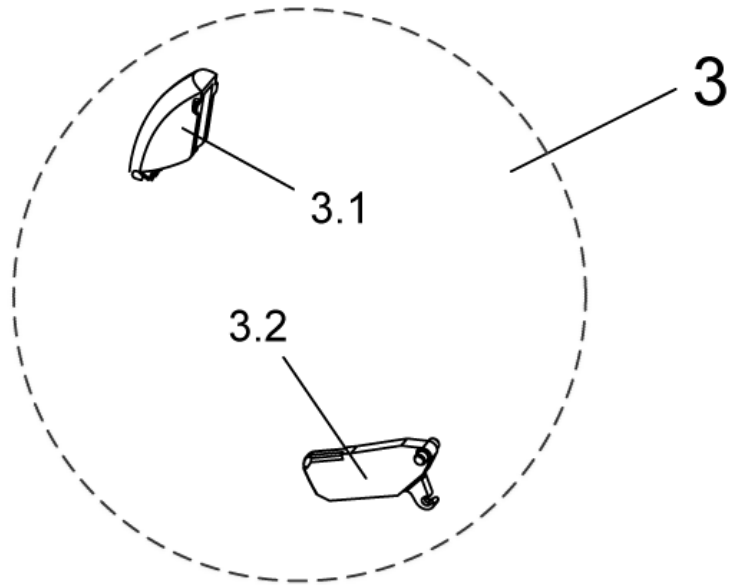
1449410_2.dwg



item	ordercode	description	quantity
2	1485605	ASSEMBLY KIT, ADM SLIDING BUSH	1
2.1	NA	DOWEL RD. 8 X 36	3
2.2	NA	SLIDING BUSHING	1
2.3	NA	DOWEL RD. 8 X 30	1

Assembly kit, Trip Lever + Lock Lever

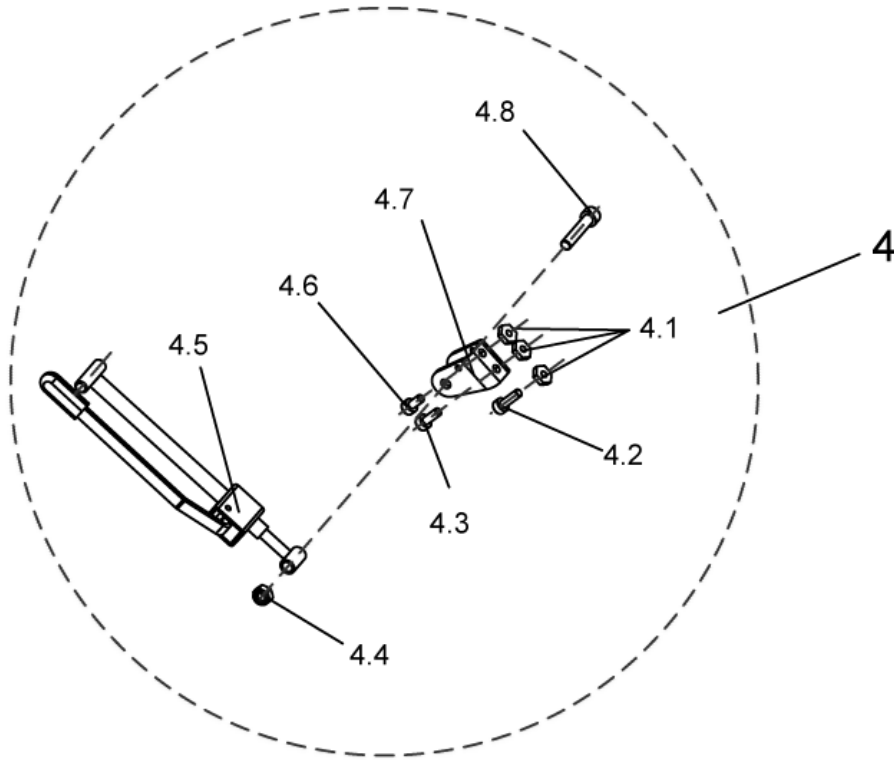
1449410_3.dwg



item	ordercode	description	quantity
3	1449155	TRIP LEVER + LOCK LEVER	1
3.1	NA	TRIP LEVER	1
3.2	NA	LOCK LEVER	1

Assembly Kit, ADM Adjustment

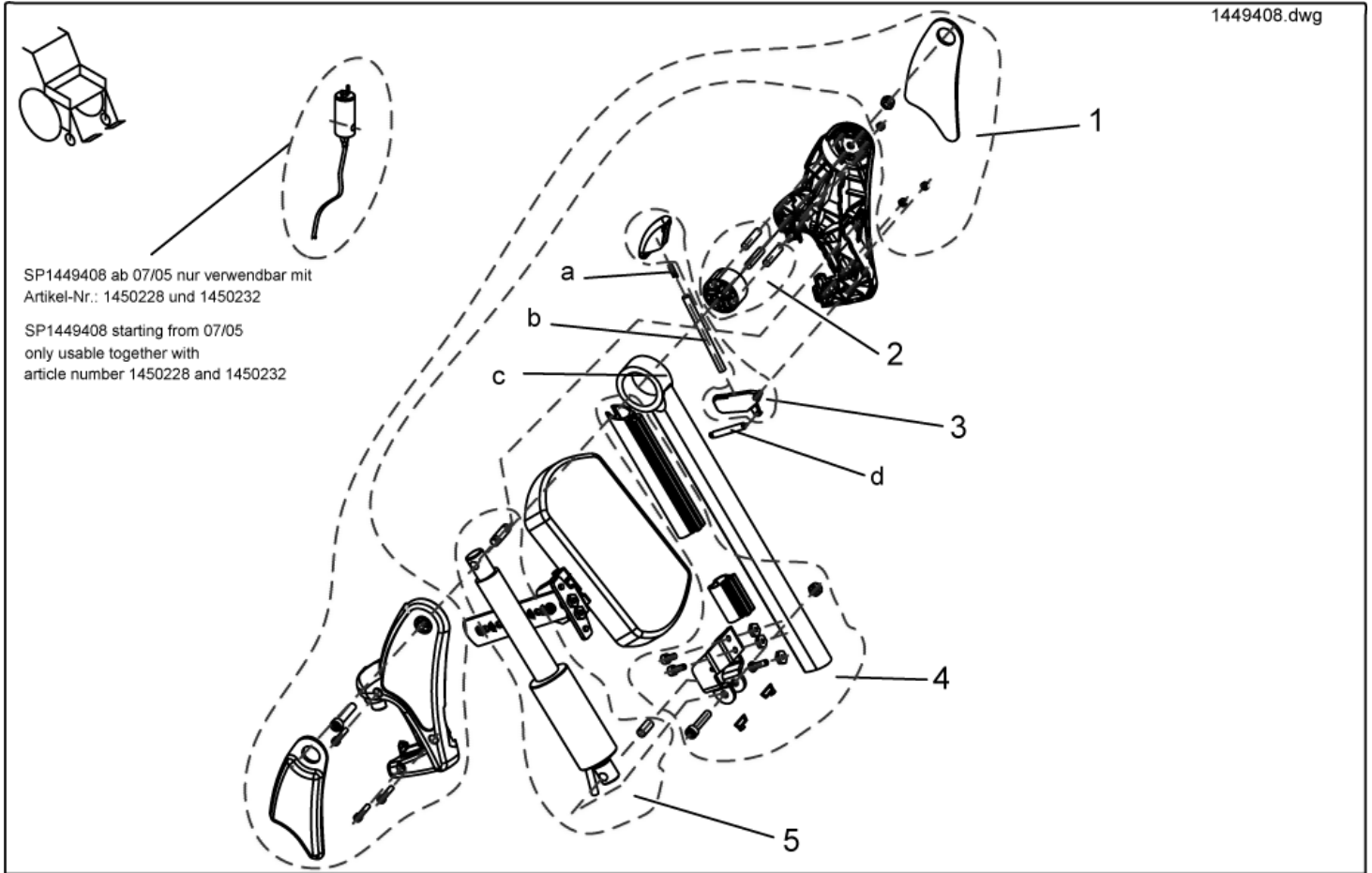
1449410_4.dwg



item	ordercode	description	quantity
4	1485606	ASSEMBLY KIT, ADM ADJUSTMENT	1
4.1	NA	NUT M6 WIDTH ACROSS FLATS 14	3
4.2	NA	SOCKET HEAD CAP SCREW M6 X 20	1
4.3	NA	SOCKET HEAD CAP SCREW M6 X 16	1
4.4	NA	NYLOC NUT M8 SELF-LOCKING, DIN 985	2
4.5	NA	ADM ADJUSTMENT MECHANISM CPL.	1
4.6	NA	SOCKET HEAD CAP SCREW M6 X 12	1
4.7	NA	ACTUATOR MOUNT	1
4.8	NA	SOCKET HEAD CAP SCREW M8 X 40	2

Upper ADP, Right

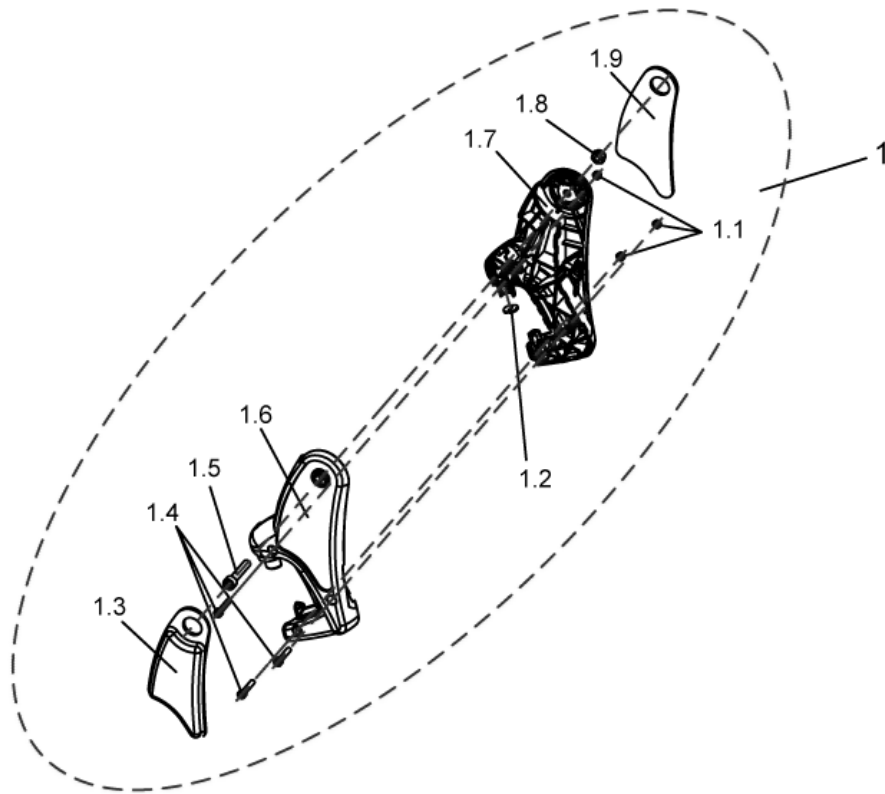
1449408.dwg



item	ordercode	description	quantity
-	SP1449408	ADP UPPER PART, RH	1
1	NA	>>>SEE DETAILS ON "ASSEMBLY KIT, HANGERS"	1
2	NA	>>>SEE DETAILS ON "ASSEMBLY KIT ADP, SLIDING BUSH"	1
3	NA	>>>SEE DETAILS ON "ASSEMBLY KIT ADP, RELEASE BUTTON + LOCK LEVER"	1
4	NA	>>>SEE DETAILS ON "ASSEMBLY KIT ADP, ACTUATOR BRACKET"	1
5	NA	>>>SEE DETAILS ON "ASSEMBLY KIT ADP, HOIST MOTOR"	1
a	N12196	COMPRESSION SPRING L0=16, 4 D=0, 5 DA=5, 5	1
b	Z174113.99	PUSH ROD	1
c	NA	LEGREST HANGER ADP RAL 9005	1
d	Z173178	PULL SPRING	1

Assembly kit, ADM Hangers

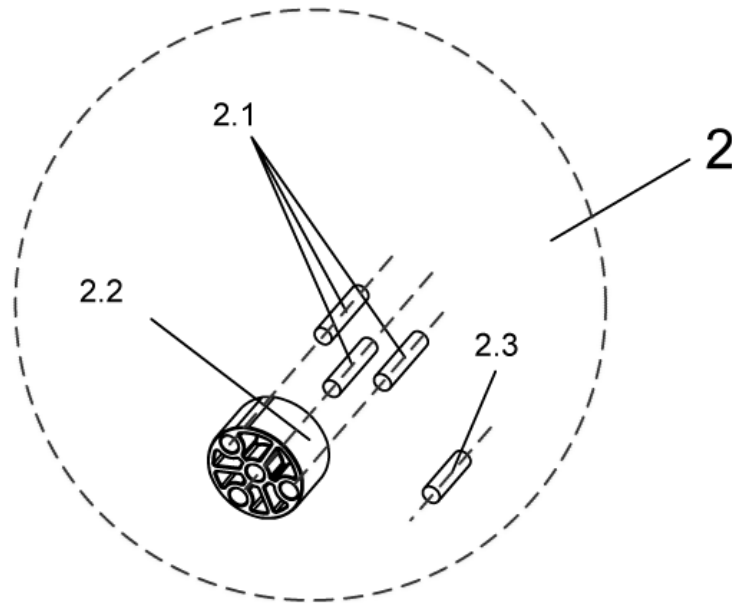
1449410_1.dwg



item	ordercode	description	quantity
1	1485604	ASSEMBLY KIT, ADM HANGERS	1
1.1	NA	HEX NUT M5 SELF-LOCKING	3
1.2	NA	ADP-PLATE	1
1.3	1450448	KNEE CUSHION, RH	1
1.4	NA	SOCKET HEAD CAP SCREW M5 X 25	3
1.5	NA	SOCKET HEAD CAP SCREW M8 X 40	2
1.6	NA	LEGREST HANGER COVER, RH	1
1.7	NA	LEGREST HANGER COVER, LH	1
1.8	NA	NYLOC NUT M8 SELF-LOCKING, DIN 985	2
1.9	1450410	KNEE CUSHION, LH	1

Assembly kit, ADM Sliding Bush

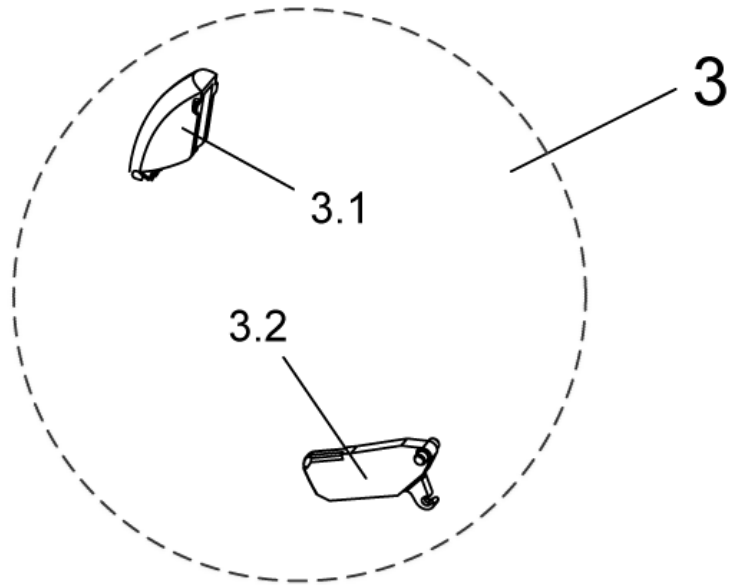
1449410_2.dwg



item	ordercode	description	quantity
2	1485605	ASSEMBLY KIT, ADM SLIDING BUSH	1
2.1	NA	DOWEL RD. 8 X 36	3
2.2	NA	SLIDING BUSHING	1
2.3	NA	DOWEL RD. 8 X 30	1

Assembly Kit, Trip Lever + Lock

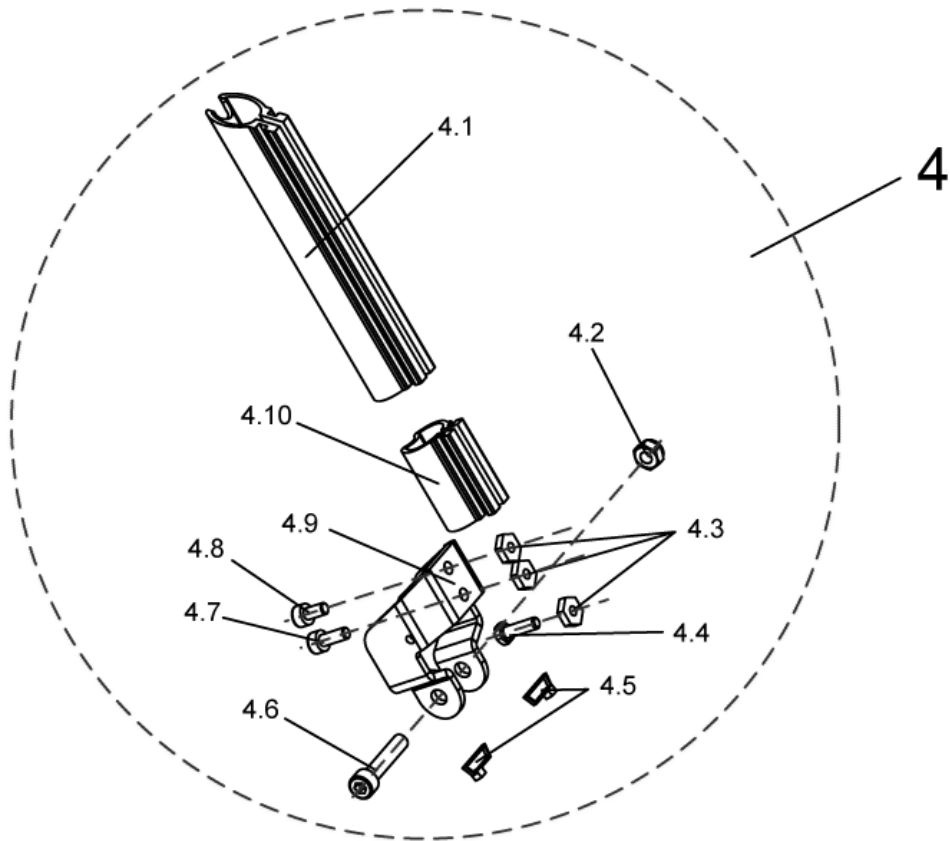
1449410_3.dwg



item	ordercode	description	quantity
3	1449167	TRIP LEVER + LOCK LEVER	1
3.1	NA	TRIP LEVER	1
3.2	NA	LOCK LEVER	1

Assembly Kit ADP, Actuator Bracket

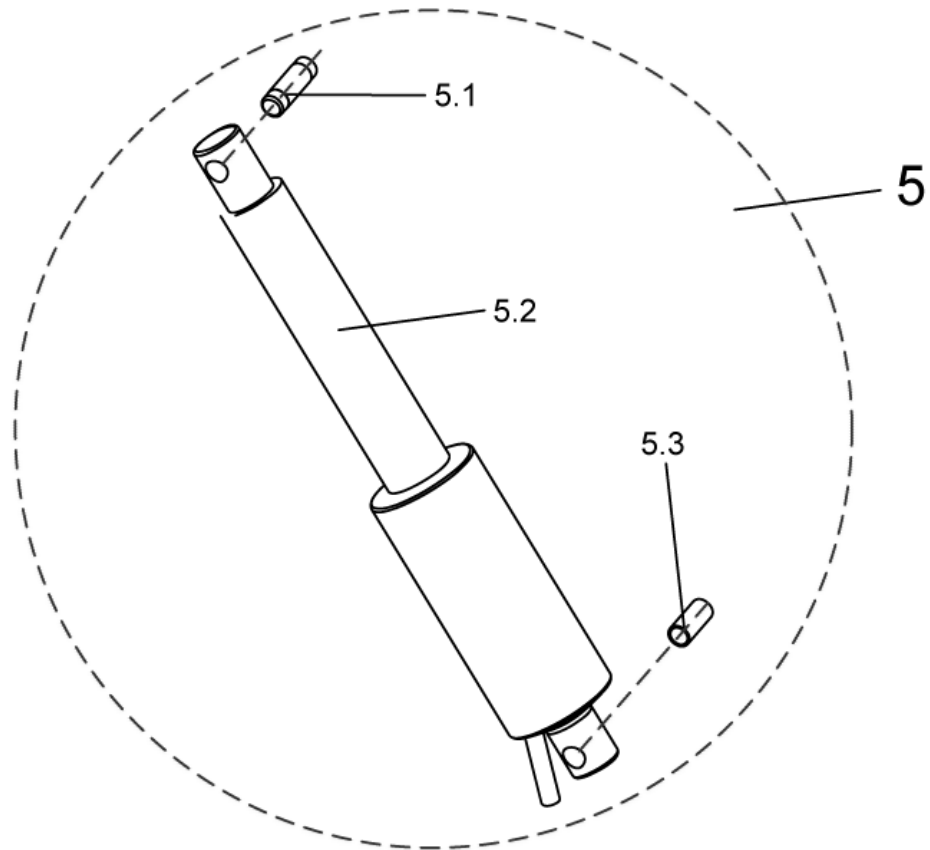
1449408_1.dwg



item	ordercode	description	quantity
4	1450607	ASSEMBLY KIT ADP, ACTUATOR BRACKET	1
4.1	NA	UPPER GUARD	1
4.2	NA	NYLOC NUT M8 SELF-LOCKING, DIN 985	2
4.3	NA	NUT M6 WIDTH ACROSS FLATS 14	3
4.4	NA	HEX HEAD SCREW M6 X 20	1
4.5	NA	CABLE BINDER SHORT L=99 MM	1
4.6	NA	SOCKET HEAD CAP SCREW M8 X 40	2
4.7	NA	SOCKET HEAD CAP SCREW M6 X 16	1
4.8	NA	SOCKET HEAD CAP SCREW M6 X 12	1
4.9	NA	ACTUATOR HOLDING PLATE	1
4.10	NA	LOWER GUARD	1

Assembly Kit ADP, Hoist Motor

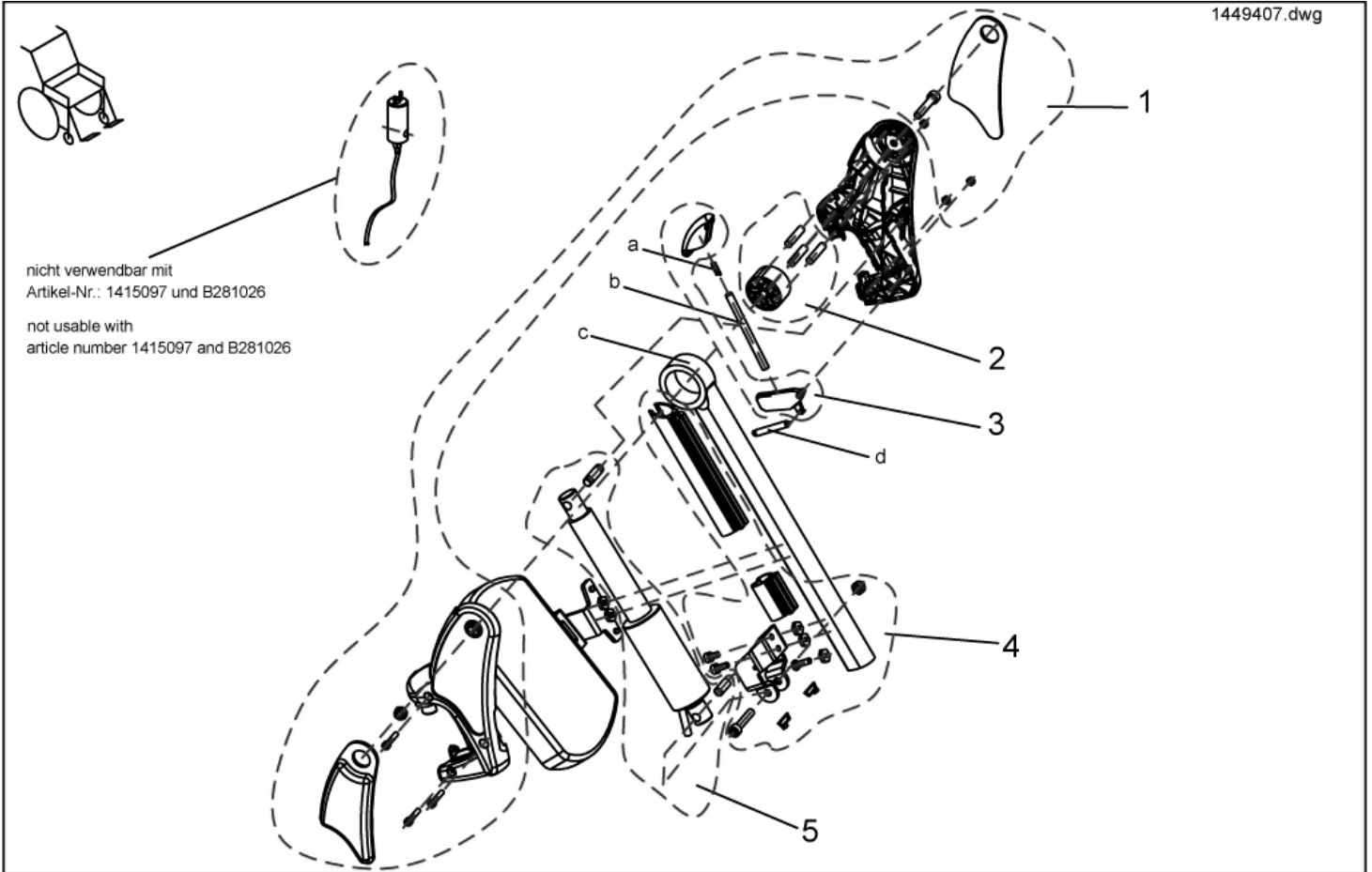
1449408_2.dwg



item	ordercode	description	quantity
5	1450606	ASSEMBLY KIT ADP, HOIST MOTOR	1
5.1	Z174137.99	PIVOT BUSH	1
5.2	Z151006	ACTUATOR WITH CIRCUIT BOARD, PRE-ASSEMBLED	1
5.3	4000665-0002	SPACER BUSH 10X1X22.5	1

Upper ADP, Left

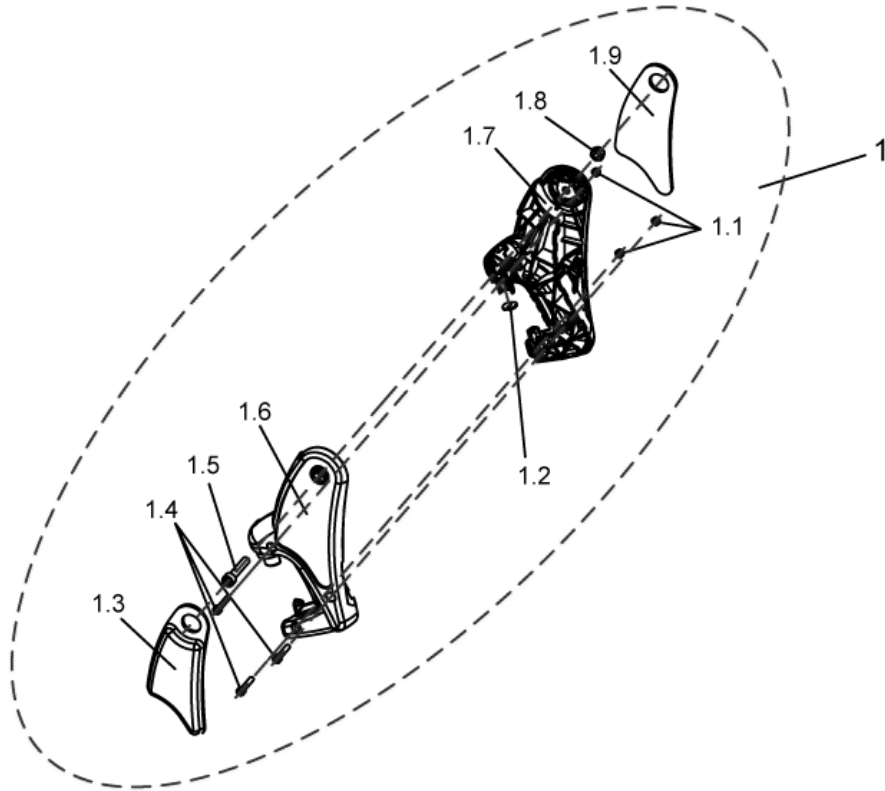
1449407.dwg



item	ordercode	description	quantity
-	SP1449407	ADP UPPER PART, LH	1
1	NA	>>>SEE DETAILS ON "ASSEMBLY KIT, HANGERS"	1
2	NA	>>>SEE DETAILS ON "ASSEMBLY KIT ADP, SLIDING BUSH"	1
3	NA	>>>SEE DETAILS ON "ASSEMBLY KIT ADP, TRIP LEVER + LOCK LEVER"	1
4	NA	>>>SEE DETAILS ON "ASSEMBLY KIT ADP, ACTUATOR BRACKET"	1
5	NA	>>>SEE DETAILS ON "ASSEMBLY KIT ADP, HOIST MOTOR"	1
a	1450410	KNEE CUSHION, LH	1
b	Z174113.99	PUSH ROD	1
c	NA	LEGREST HANGER ADP	1
d	Z173178	PULL SPRING	1

Assembly Kit, ADM Hangers

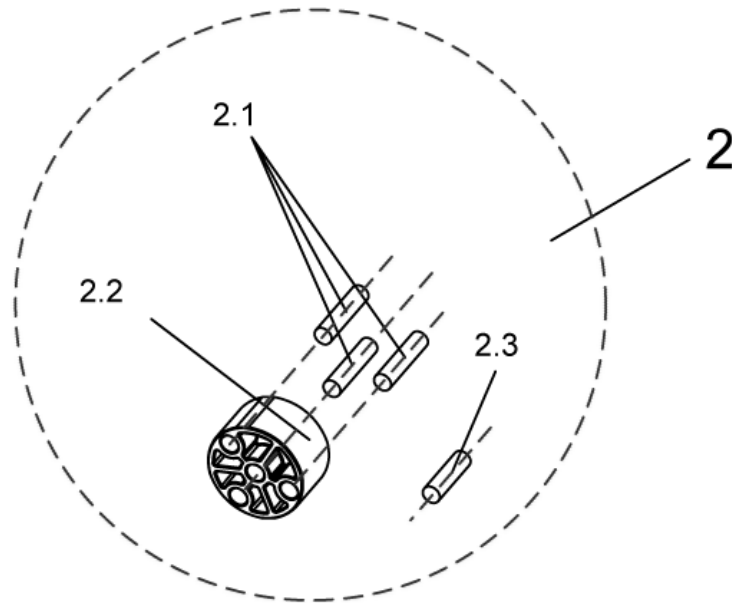
1449410_1.dwg



item	ordercode	description	quantity
1	1485604	ASSEMBLY KIT, ADM HANGERS	1
1.1	NA	HEX NUT M5 SELF-LOCKING	3
1.2	NA	ADP-PLATE	1
1.3	1450448	KNEE CUSHION, RH	1
1.4	NA	SOCKET HEAD CAP SCREW M5 X 25	3
1.5	NA	SOCKET HEAD CAP SCREW M8 X 40	2
1.6	NA	LEGREST HANGER COVER, RH	1
1.7	NA	LEGREST HANGER COVER, LH	1
1.8	NA	NYLOC NUT M8 SELF-LOCKING, DIN 985	2
1.9	1450410	KNEE CUSHION, LH	1

Assembly Kit, ADM Sliding Bush

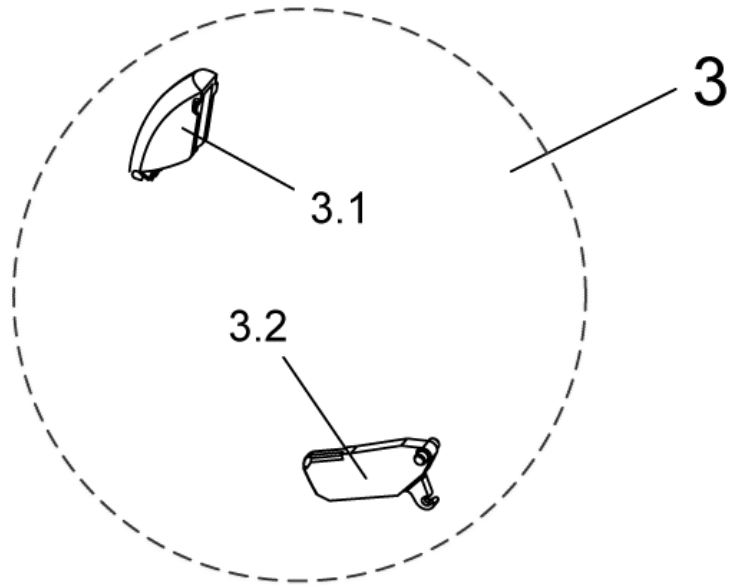
1449410_2.dwg



item	ordercode	description	quantity
2	1485605	ASSEMBLY KIT, ADM SLIDING BUSH	1
2.1	NA	DOWEL RD. 8 X 36	3
2.2	NA	SLIDING BUSHING	1
2.3	NA	DOWEL RD. 8 X 30	1

Assembly, Trip Lever + Lock Lever

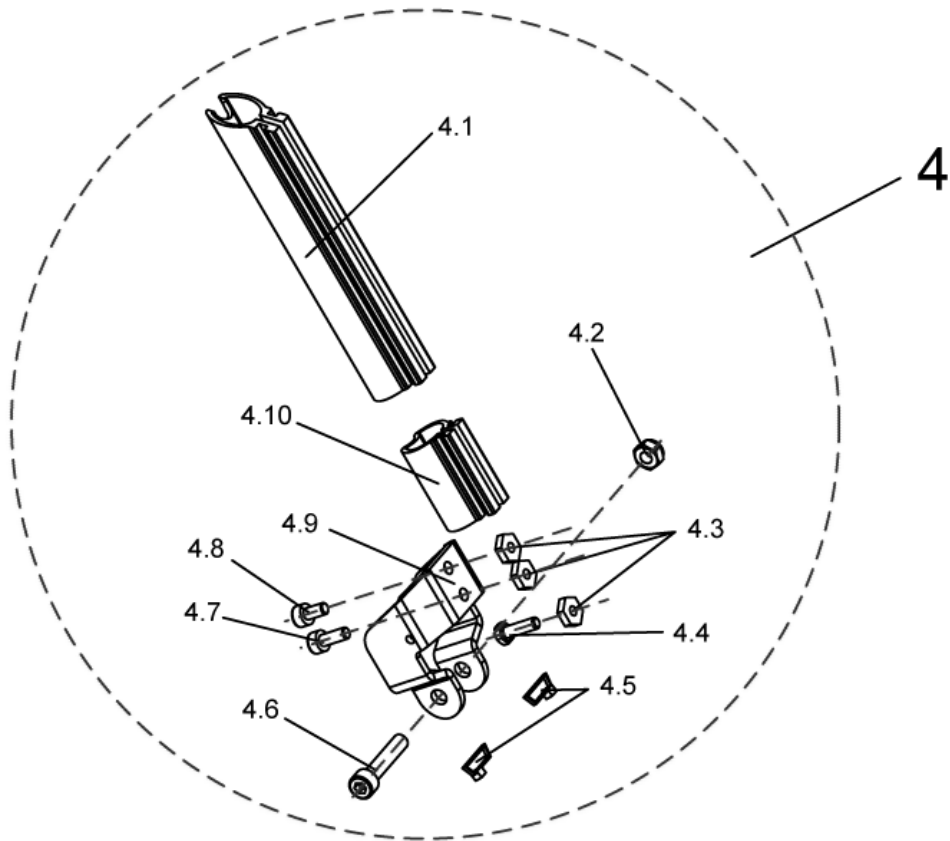
1449410_3.dwg



item	ordercode	description	quantity
3	1449167	TRIP LEVER + LOCK LEVER	1
3.1	NA	TRIP LEVER	1
3.2	NA	LOCK LEVER	1

Assembly Kit ADP, Actuator Bracket

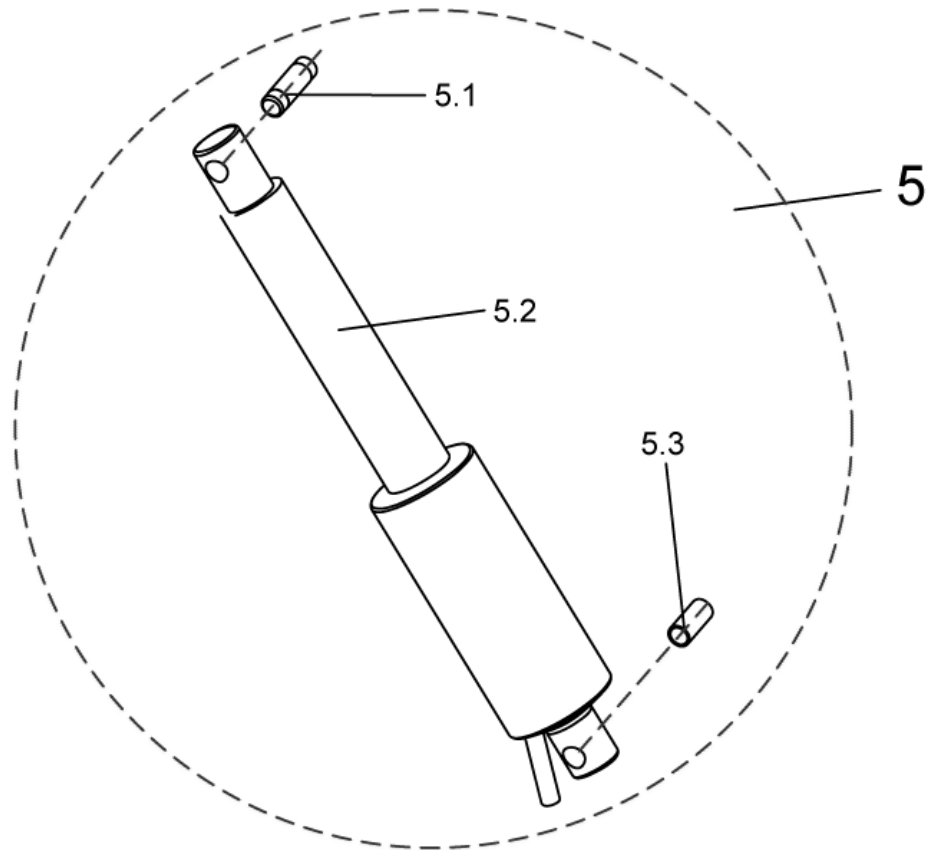
1449408_1.dwg



item	ordercode	description	quantity
4	1450607	ASSEMBLY KIT ADP, ACTUATOR BRACKET	1
4.1	NA	UPPER GUARD	1
4.2	NA	NYLOC NUT M8 SELF-LOCKING, DIN 985	2
4.3	NA	NUT M6 WIDTH ACROSS FLATS 14	3
4.4	NA	HEX HEAD SCREW M6 X 20	1
4.5	NA	CABLE BINDER SHORT L=99 MM	1
4.6	NA	SOCKET HEAD CAP SCREW M8 X 40	2
4.7	NA	SOCKET HEAD CAP SCREW M6 X 16	1
4.8	NA	SOCKET HEAD CAP SCREW M6 X 12	1
4.9	NA	ACTUATOR HOLDING PLATE	1
4.10	NA	LOWER GUARD	1

Assembly Kit ADP, Hoist Motor

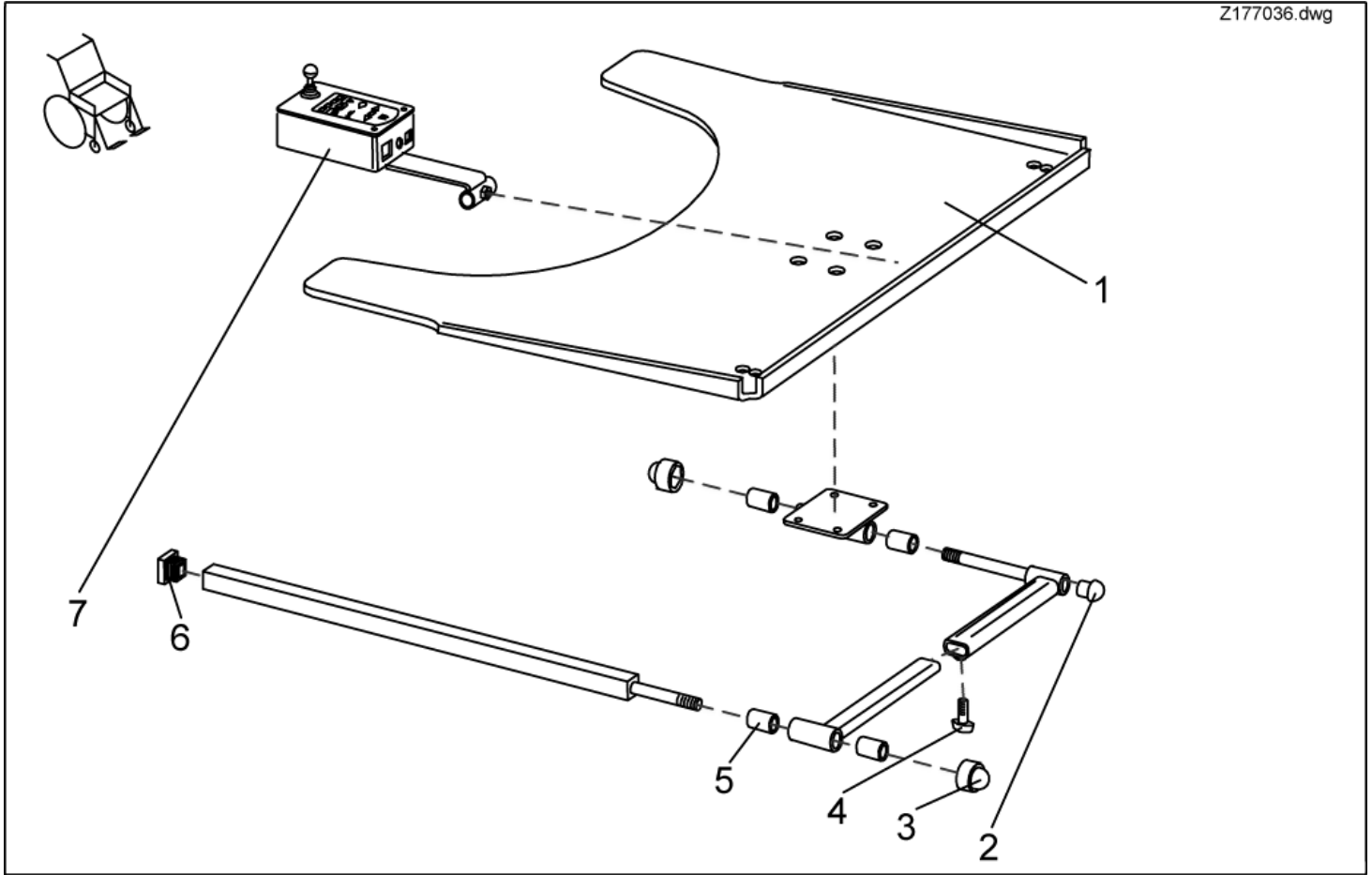
1449408_2.dwg



item	ordercode	description	quantity
5	1450606	ASSEMBLY KIT ADP, HOIST MOTOR	1
5.1	Z174137.99	PIVOT BUSH	1
5.2	Z151006	ACTUATOR WITH CIRCUIT BOARD, PRE-ASSEMBLED	1
5.3	4000665-0002	SPACER BUSH 10X1X22.5	1

Tray / Tray Control

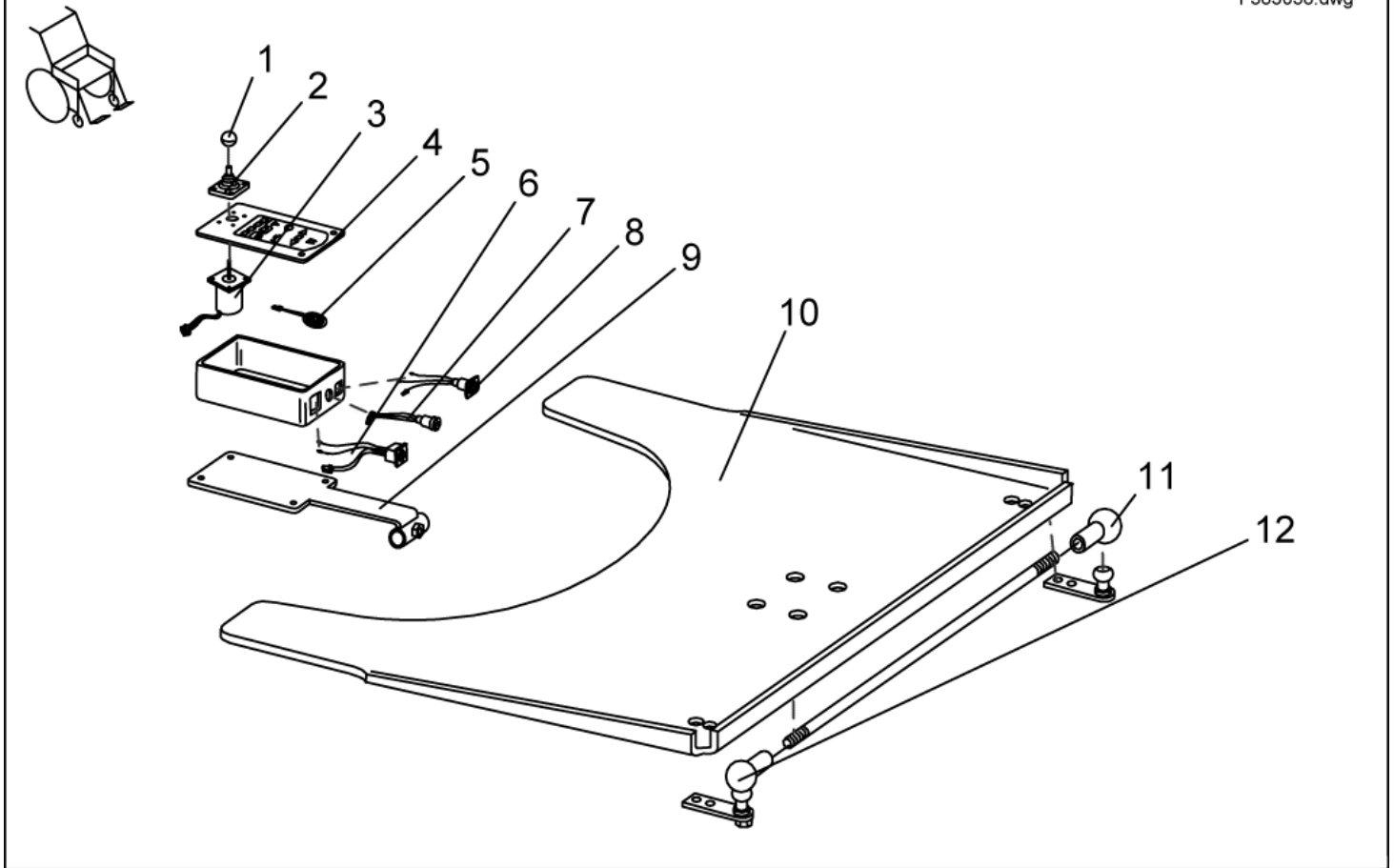
Z177036.dwg



item	ordercode	description	quantity
1,2,3,4,5,6	SP1422952	SWING-OUT TRAY WITH CUT-OUT F. CONTROL LH CPL.	1
1,2,3,4,5,6	SP1422953	SWING-OUT TRAY WITH CUT-OUT F. CONTROL RH CPL.	1
2,3,4,5,6	SPZ177011	TRAY SUPPORT FIXING KIT CPL.	1
1	Z177017	TRAY-LH CONTROL, TRANSPARENT	1
1	Z177016	TRAY-RH CONTROL, TRANSPARENT	1
2	L01008	TUBE END PLUG SL 22	1
3	L01037	SKS NUT CAP M12	2
4	L31001	WING SCREW M6 X 10	1
5	Z17032A	BUSH RD. 19 X 3.5 X 25	4
6	L01055	TUBE END PLUG E 15 X 15	2
7	SP1422798	TRAY CONTROL CPL.	1

Tray Control

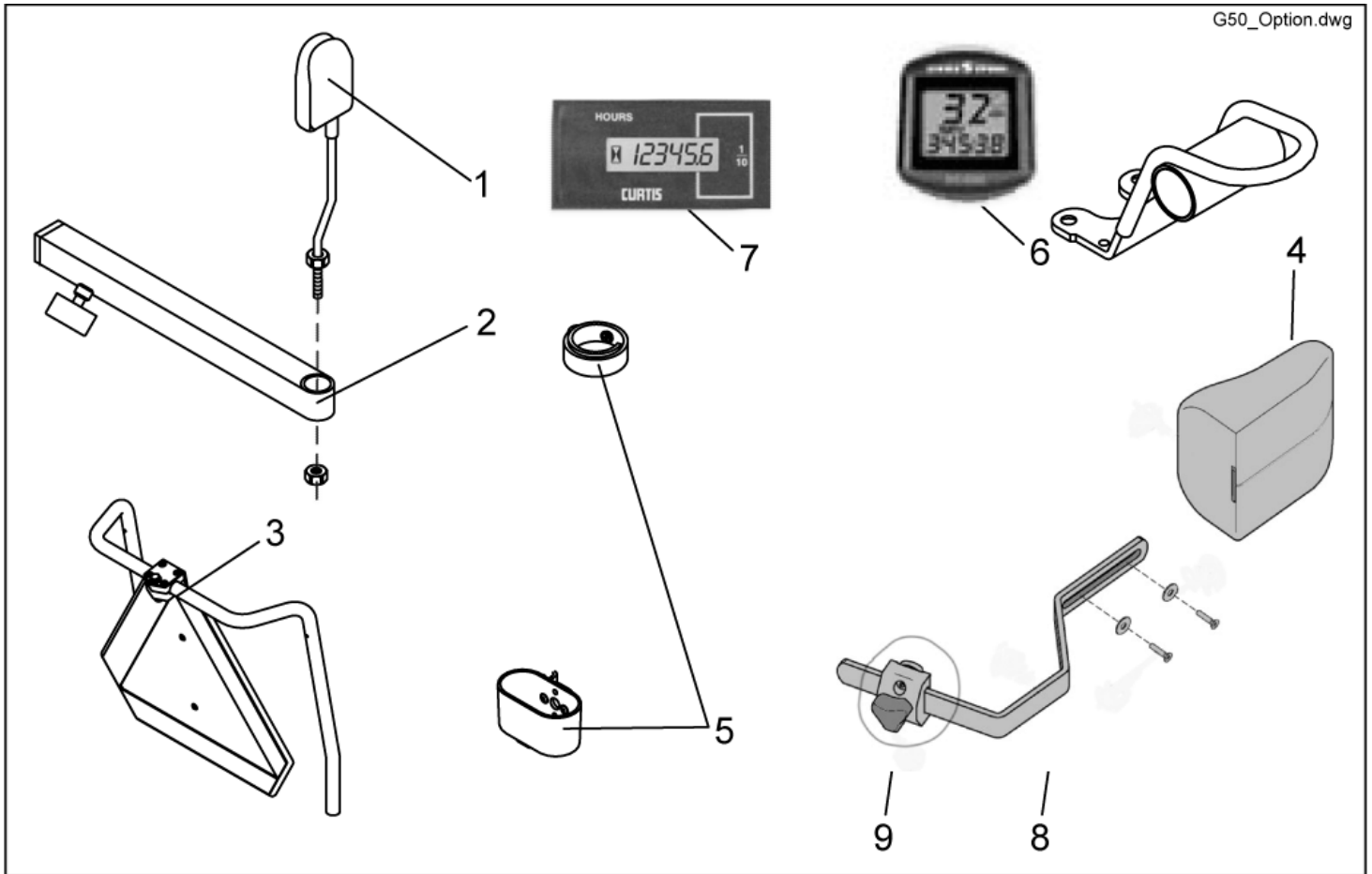
F383038.dwg



item	ordercode	description	quantity
1,2,3,4,5,6,7,8	P10066	ACS-TRAY CONTROL BOX	1
1	L36999	KNOB FOR JOYSTICK 32 MM, HOLE 5.8 MM	1
2	Z183001A	RUBBER GAITER FOR ACS REMOTE	1
3	GSM55120	ACS-JOYSTICK WITH 180MM CABLE	1
4	P30907	FOIL KEYPAD FOR TABLE REMOTE	1
5	P30493	HORN	1
6	P41108	ACS-BUS CABLE SOCKET	1
7	P41107	PROGRAMMER SOCKET	1
8	P41106	CHARGER SOCKET	1
9	L60999	HOUSING BASE WITH THREADED PIN M4 X 13	2
10	Z17024A	TRAY 660 X 540 X 8, TRANSPARENT	1
11	N04109	SWIVEL JOINT AS 13-M8 RH	2
12	SP4100136	SUPPORT ROD, CPL..	1

Options

G50_Option.dwg



item	ordercode	description	quantity
-	Z12008A.P40	GRIPPING CLIP WITH HEXAGON HOLE, RAL 9005 BLACK	2
-	1421733	REED-SENSOR CABLE	1
-	P22317	CABLE SOCKET 6 X 10 X 13	1
-	P30497	MAGNET, ROUND 6 X 25	1
1	SP1422955	REAR MIRROR	1
2	SP1423435	REAR MIRROR SUPPORT RAIL CPL.	1
1,2	SP1422881	REAR MIRROR COMPLETE WITH SUPPORT	1
3	SP1430410	REAR MARKING SIGN ECE-R 69 CPL.	1
-	1430834	REAR MARKING SIGN ECE-R 69	1
4	1422545	PELOTTE BLUE MATERIAL WITHOUT FIXATION KIT	2
4	1440284	TRUNK SUPPORT BLACK WITHOUT FIXATION KIT	2
4	NA	TRUNK SUPPORT VINYL GREY	2
-	5253170	ASSEMBLY KIT FOR PELOTTE	2
5	S110003	CANE HOLDER RH/LH	1
6	SP1421843	SIGMA SPORT BC 600 SPEEDOMETER, CPL. (REM 24)	1
6	SP1422841	SIGMA SPORT BC 600 SPEEDOMETER, CPL. (G 80I)	1
-	Z183255-9005	ACS-SPEEDOMETER BRACKET REM 24	1
-	Z183296-9005	SPEEDOMETER HOLDER G80I	1
-	Z183259	ACS-SPEEDOMETER CABLE	1
-	1442684	TOUCH-UP PAINT RAL 9005 BLACK	1
-	Z176015A	NYLONBAG	1
7	SP1485698	HOUR COUNTER FOR DC-MOTORS	1
8	1489009	ASSEMBLY KIT FOR PELOTTE PAD	1
8	1423700-9005	HANDLE FOR PELOTTE	1
9	5253170	FIXATION PART FOR PELOTTE	1
-	Q99991	AIR PUMP WITH INSERT HOSE	1
-	SP1422868	ON-BOARD TOOL SET WITH BAG	1

item	ordercode	description	quantity
-	1440530	TRANSPORT RAMP	1

User manuals G50

deutsch

english

français

netherlands

español

portugues

suomi

svenska

norsk

dansk

italiano

item	ordercode	description	quantity
1	1491884	USER MANUAL G50, GERMAN	1
2	1491887	USER MANUAL G50, ENGLISH	1
3	1491888	USER MANUAL G50, FRENCH	1
4	1491886	USER MANUAL G50, DUTCH	1
5	1491889	USER MANUAL G50, NORWEGIAN	1
6	1491890	USER MANUAL G50, PORTUGUESE	1
7	1491891	USER MANUAL G50, SPANISH	1
8	1491892	USER MANUAL G50, SWEDISH	1
9	1419317	USER MANUAL HANDHELD PROGRAMMER "ENGLISH"	1
10	1419316	USER MANUAL HANDHELD PROGRAMMER "GERMAN"	1
11	Q99081	USER MANUAL CHIN CONTROL TRAY/CENTRE, GERMAN	1
12	Q99082	USER MANUAL CHIN CONTROL, FRENCH	1
13	Q99083	USER MANUAL CHIN CONTROL, GERMAN	1
14	Q99086	USER MANUAL CHIN CONTROL, ENGLISH	1

- You will find documentation for downloading on our Internet pages.