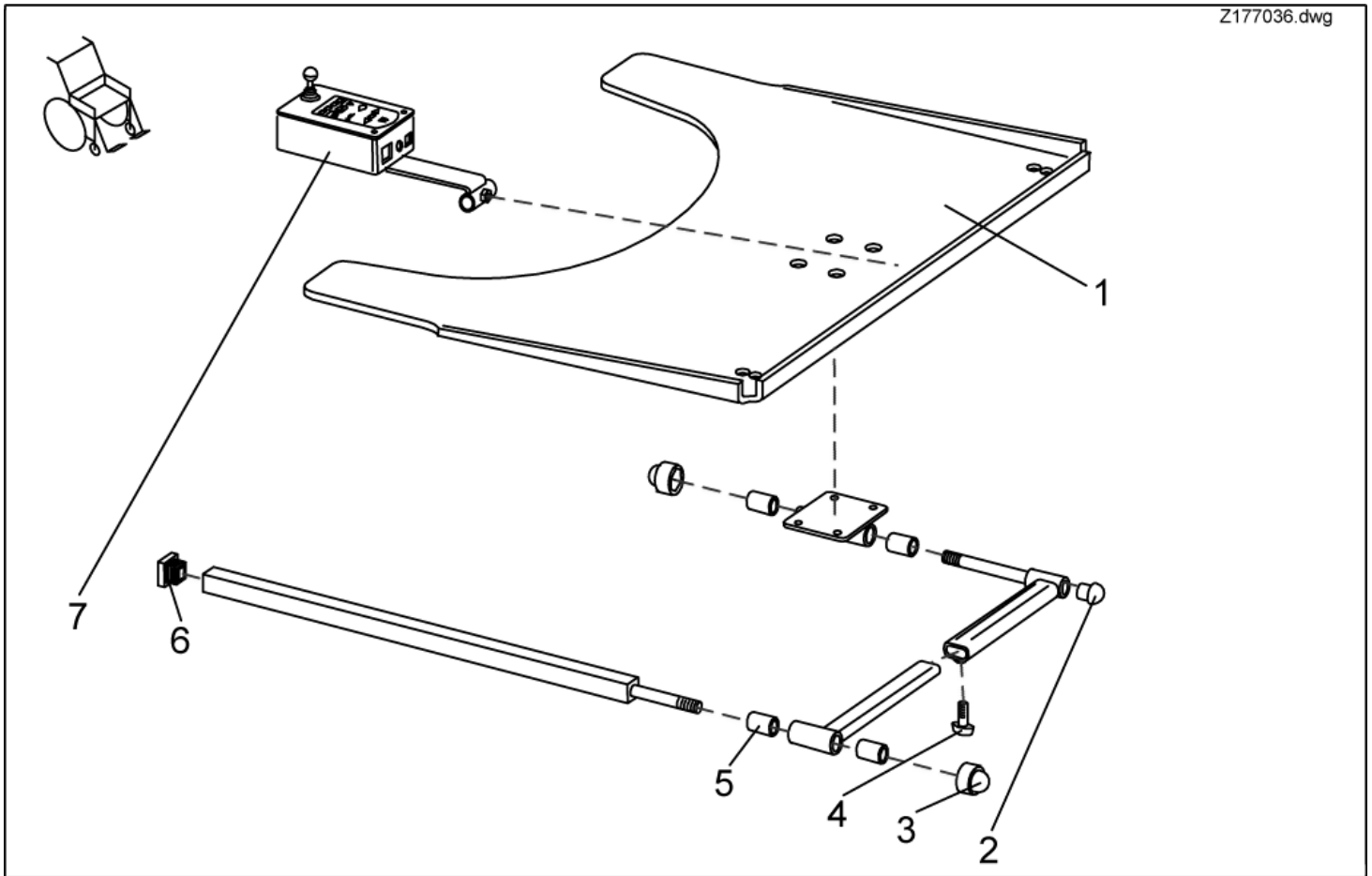


## Desk/ Tray control

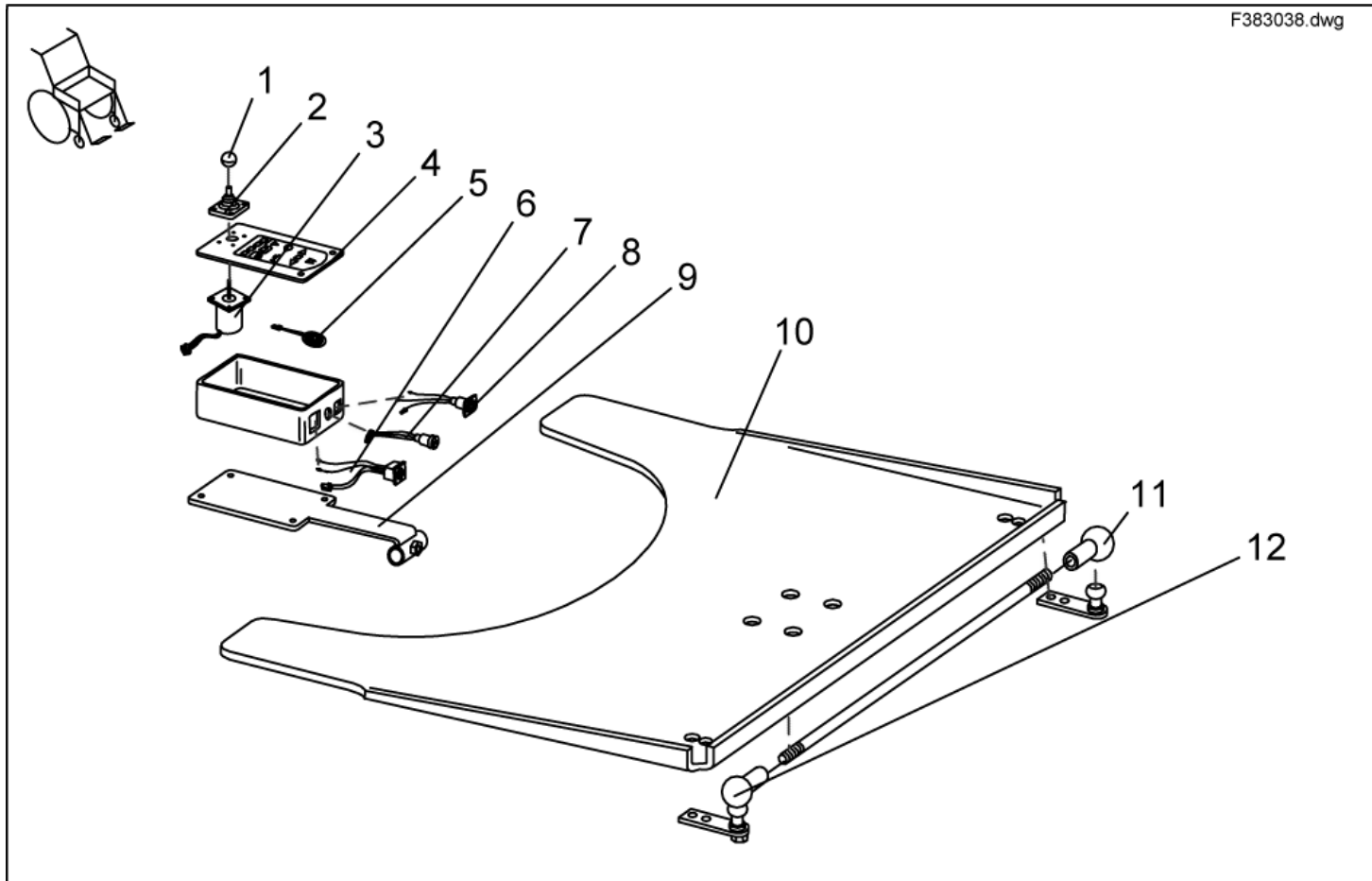
Z177036.dwg



item	ordercode	description	quantity
1,2,3,4,5,6	SP1422952	SWING-OUT TRAY F. CONTROL LH CPL.	1
1,2,3,4,5,6	SP1422953	SWING-OUT TRAY F. CONTROL RH CPL.	1
2,3,4,5,6	SPZ177011	TRAY SUPPORT FIXING KIT CPL.	1
1	Z177017	TRAY-LH CONTROL; TRANSPARENT	1
1	Z177016	TRAY-RH CONTROL; TRANSPARENT	1
2	L01008	TUBE END PLUG SL 22	1
3	L01037	NUT CAP M12	2
4	L31001	HAND KNOB M6 X 10	1
5	Z17032A	BUSH RD. 19 X 3.5 X 25	4
6	L01055	TUBE END PLUG E 15 X 15	2
7	SP1422798	TRAY CONTROL CPL.	1

## Tray Control

F383038.dwg



item	ordercode	description	quantity
1,2,3,4,5,6,7,8	P10066	ACS-TRAY CONTROL BOX	1
1	L36999	KNOB 32 MM, HOLE 5,8 MM	1
2	Z183001A	RUBBER GAITER; BLACK	1
3	GSM55120	ACS-JOYSTICK F. TRAYCONTROL	1
4	P30907	FOIL KEYPAD	1
5	P30493	HORN	1
6	P41108	ACS-BUS CABLE SOCKET	1
7	P41107	PROGRAMMER SOCKET	1
8	P41106	CHARGER SOCKET	1
9	L60999	FOOT M4 X 13	2
10	Z17024A	TRAY 660 X 540 X 8; TRANSPARENT	1
11	N04109	SWIVEL JOINT AS 13-M8 RH	2
12	SP4100136	SUPPORT ROD ; CPL..	1

## User manuals G50

deutsch

english

français

netherlands

español

portugues

suomi

svenska

norsk

dansk

italiano

item	ordercode	description	quantity
1	1491884	USER MANUAL Typhoon "GERMAN"	1
2	1491887	USER MANUAL Typhoon "ENGLISH"	1
3	1491888	USER MANUAL Typhoon "FRENCH"	1
4	1491886	USER MANUAL Typhoon "DUTCH"	1
5	1491889	USER MANUAL Typhoon "SPANISH"	1
6	1491890	USER MANUAL Typhoon "PORTUGESE"	1
7	1491891	USER MANUAL Typhoon "ITALIAN"	1
8	1491892	USER MANUAL Typhoon "FINNISH"	1
9	1419317	USER MANUAL HANDHELDPROGRAMMER "ENGLISH"	1
10	1419316	USER MANUAL HANDHELDPROGRAMMER "GERMAN"	1
11	Q99081	OPERATION INSTRUCTION, TRAY-/CENTRAL STEERING	1
12	Q99082	USER MANUAL ACS-CHINCONTROL "FRENCH"	1
13	Q99083	USER MANUAL ACS-CHINCONTROL "GERMAN"	1
14	Q99086	USER MANUAL ACS-CHINCONTROL "ENGLISH"	1

- You will find documentation for downloading on our Internet pages.