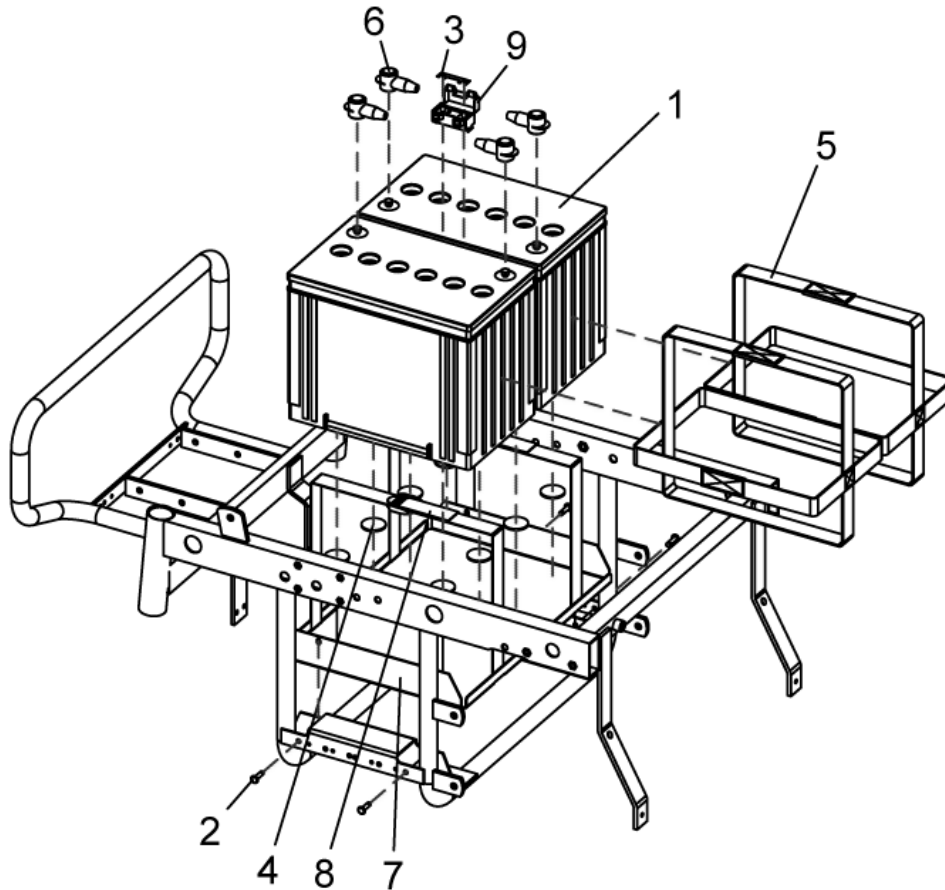


Battery box

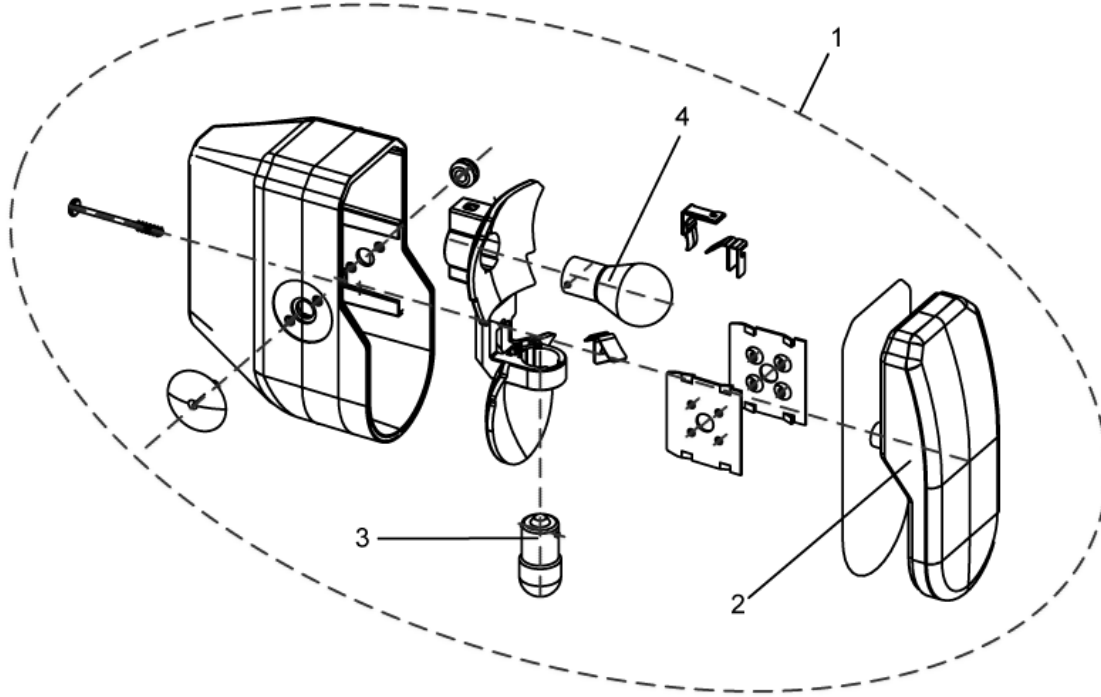
1487402.dwg



item	ordercode	description	quantity
1	1488569	BATTERY 60 Ah	2
1	P50016	BATTERY 12V / 70 AH	2
1	5838627	BATTERY 97 Ah	2
2	NA	POP RIVET-LSR ACD 608 AS	4
3	P12191	FUSE 50 A	1
4	NA	RUBBER 30x2	8
5	1440403	BATTERY STRAP 60Ah	1
5	S184022	BATTERY STRAP 70Ah	1
5	1421655	BATTERY STRAP	1
6	P52996	BATTERY TERMINAL COVER	4
6	1449645	BATTERY POLE COVER 97Ah	4
2,4,7	1468298	BATTERY TUB 60Ah/70Ah, CPL.	1
2,4,7	1468299	BATTERY TUB 97Ah, CPL.	1
7	NA	BATTERY BOX 70Ah	1
7	NA	BATTERY BOX 97 Ah	1
8	F384020	CARRYING STRAP	2
9	P12293	FUSE BRACKET	1

Front light, right

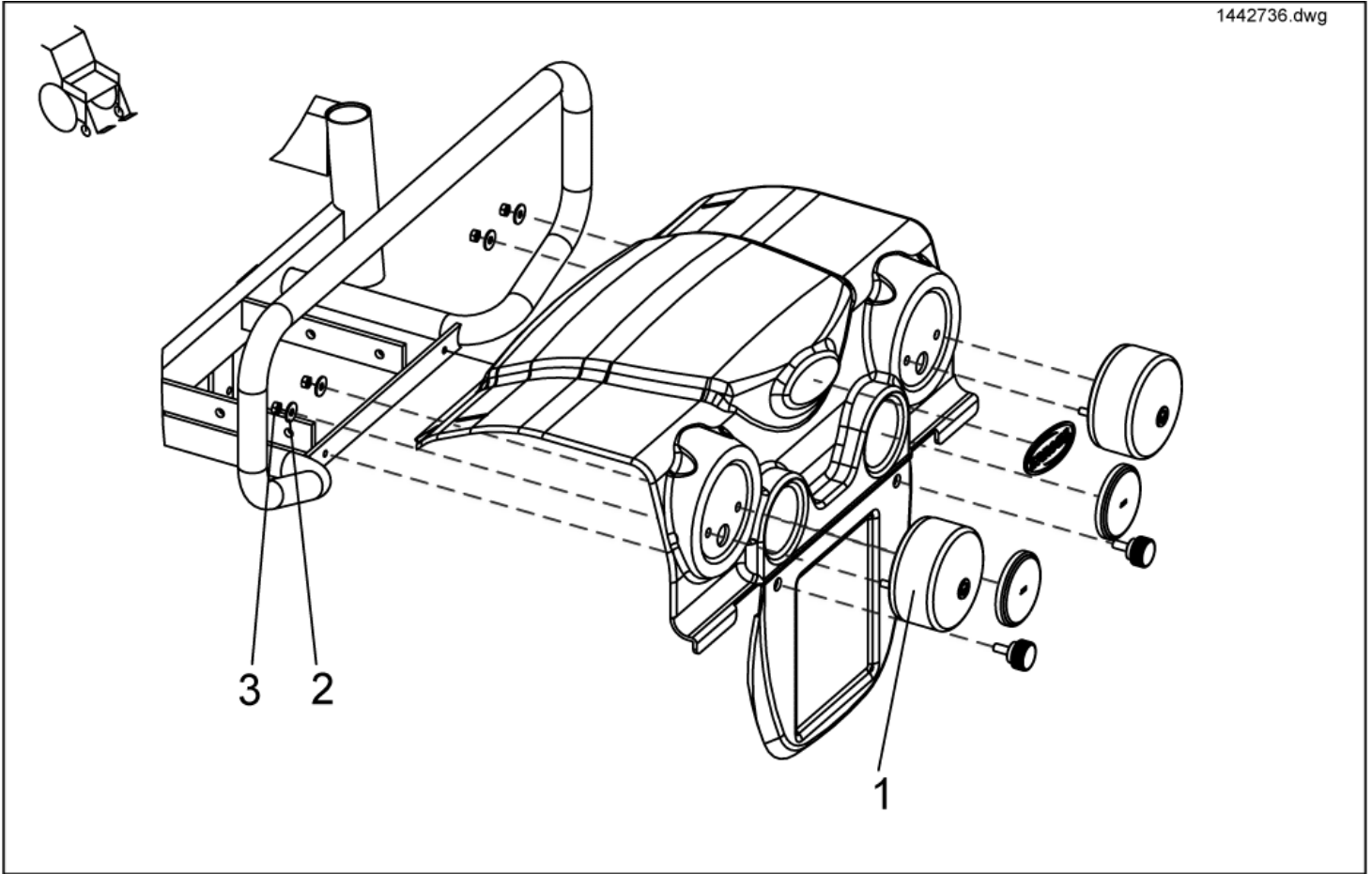
1420412.dwg



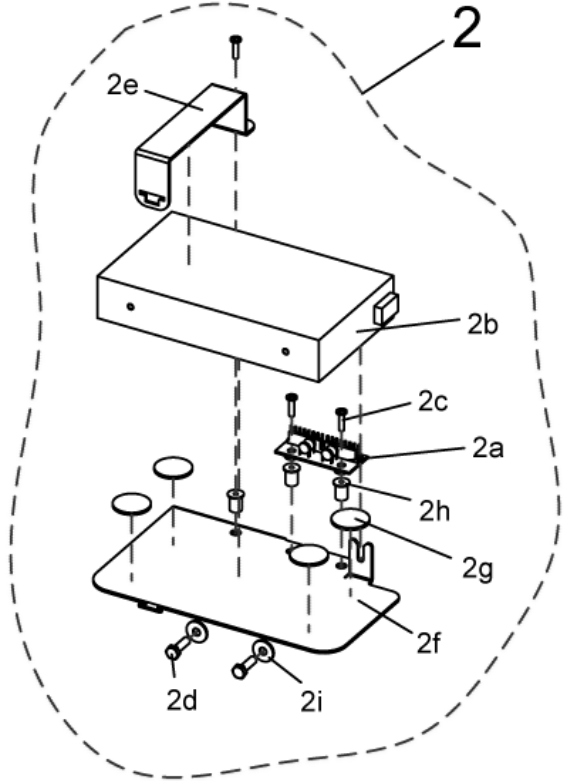
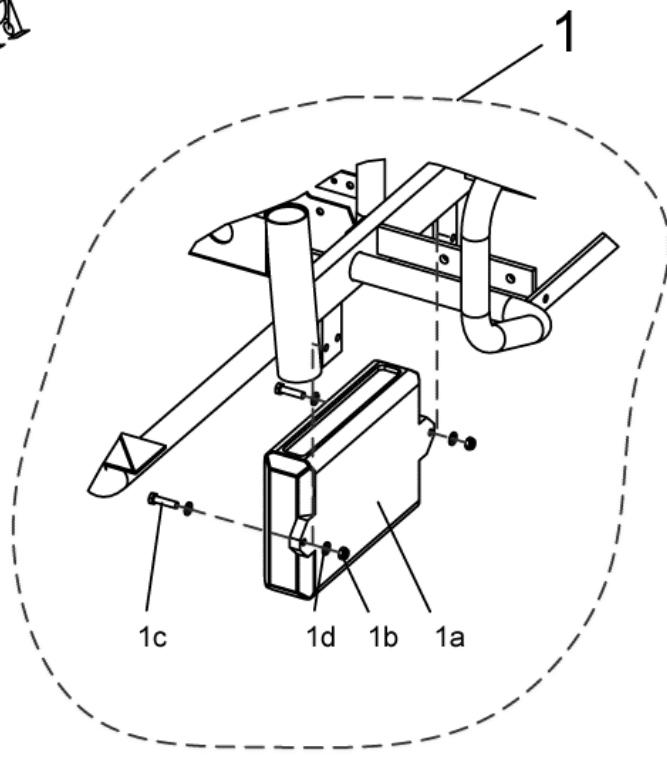
item	ordercode	description	quantity
1	1420412	SWING-OUT TRAY F. CONTROL LH CPL.	1
1	1420413	HEADLIGHT 24V, LEFT, CPL.	1
2	1433737	SWING-OUT TRAY F. CONTROL RH CPL.	1
3	P31108	TRAY SUPPORT FIXING KIT CPL.	1
4	1419271	TRAY-LH CONTROL; TRANSPARENT	1

Rear light

1442736.dwg



item	ordercode	description	quantity
1	1468295	SWING-OUT TRAY F. CONTROL LH CPL.	2
2	NA	SWING-OUT TRAY F. CONTROL RH CPL.	4
3	NA	TRAY SUPPORT FIXING KIT CPL.	4



item	ordercode	description	quantity
1	SP1451474	ACS-ELEKTRONIC DX-PMBS, CPL.	1
1a	P10070	ACS-ELECTRONICS - REPLACEMENT PART	1
1b	NA	NYLON NUT M5	2
1c	NA	SCREW M5*20	2
1d	NA	WASHER 5, 3x10x1	4
2	SP1451476	SERVO LIGHTING MODULE DX-SLM-AS 6 KM/H, CPL.	1
2a	NA	CENTRAL LIGHT DISTRIBUTOR MAINBOARD	1
2b	P10069	ACS-SERVO LIGHT MODULE REPLACEMENT PART	1
2c	NA	CROSS HEAD SCREW M4 X 16	3
2d	NA	HEX HEAD SCREW M6 X 20	2
2e	NA	HANDEL SLM G50	1
2f	NA	SUPPORT PLATE 2 LIGHTING MODULE / G50	1
2g	NA	RUBBER 30x2	4
2h	NA	GETO WELL NUT M4	3
2i	NA	WASHER 6,4 X 18 X 1,6	2
-	P10081	ACS-CLAM (LIGHTING/ACTUATOR MODULE COMBINED)	1