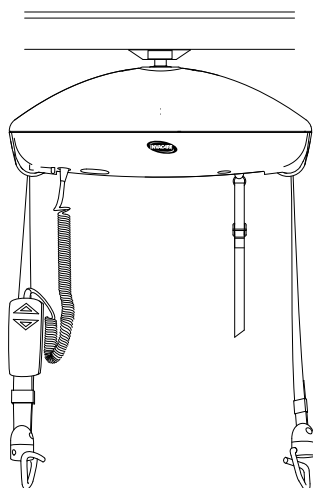
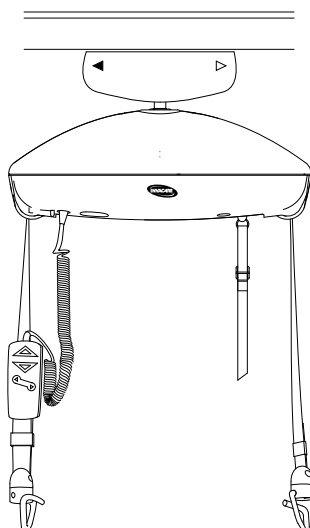


Invacare® Robin®

Robin® , Robin® Mover



Robin®



Robin® Mover

en	Ceiling Hoist User Manual	3
da	Løftemotor Brugsanvisning	25
fr	Lève-personne sur rail Manuel d'utilisation	47
nl	Plafondlift Gebruiksaanwijzing	71
no	Takmontert løfter Bruksanvisning	93
sv	Taklyft Bruksanvisning	115



This manual MUST be given to the user of the product.
BEFORE using this product, this manual MUST be read and saved
for future reference.



Yes, you can.®

©2019 Invacare Corporation

All rights reserved. Republication, duplication or modification in whole or in part is prohibited without prior written permission from Invacare. Trademarks are identified by ™ and ®. All trademarks are owned by or licensed to Invacare Corporation or its subsidiaries unless otherwise noted.

—
Alle rettigheder forbeholdes. Hel eller delvis gengivelse, kopiering eller ændring er forbudt uden forudgående skriftlig tilladelse fra Invacare. Varemærker er markeret med ™ og ®. Alle varemærker ejes af eller er givet i licens til Invacare Corporation eller denne virksomheds filialer, medmindre andet fremgår.

—
Tous droits réservés. La republication, la duplication ou la modification de tout ou partie du présent document est interdite sans l'accord écrit préalable d'Invacare. Les marques commerciales sont identifiées par ™ et ®. Toutes les marques commerciales sont détenues par ou cédées sous licence à Invacare Corporation ou ses filiales, sauf stipulation contraire.

—
Alle rechten voorbehouden. Herpublicatie, duplicatie of gehele of gedeeltelijke wijziging is verboden zonder voorafgaande schriftelijke toestemming van Invacare. Handelsmerken zijn te herkennen aan ™ en ®. Alle handelsmerken zijn eigendom van of gelicentieerd aan Invacare Corporation of haar dochterondernemingen, tenzij anders aangegeven.

—
Med enerett. Det er forbudt å republisere, kopiere eller endre hele eller deler av denne veiledningen uten at det på forhånd er innhentet skriftlig tillatelse fra Invacare. Varemerker er angitt med ™ og ®. Alle varemerker eies av eller lisensieres til Invacare Corporation eller tilhørende datterselskaper med mindre annet er angitt.

—
Med ensamrätt. Innehållet får inte ges ut på nytt, mångfaldigas eller förändras helt eller delvis utan föregående skriftligt tillstånd från Invacare. Varumärken betecknas med ™ och ®. Samtliga varumärken tillhör eller är licensierade till Invacare Corporation eller dess dotterbolag om ingenting annat anges.

Contents

This manual MUST be given to the user of the product.
BEFORE using this product, this manual MUST be read and saved
for future reference.

1 General	4
1.1 Introduction	4
1.2 Symbols in this document	4
1.3 Service Life	4
1.4 Limitation of Liability	4
1.5 Warranty Information	4
1.6 Compliance	4
1.6.1 Product-specific standards	4
2 Safety	5
2.1 General safety information	5
2.2 Safety information on accessories	6
2.3 Safety information on electromagnetic interference	6
2.4 Labels and symbols on the product	6
2.4.1 Label location	6
2.4.2 Identification label	7
2.4.3 Other labels and symbols	7
3 Product Overview	8
3.1 Intended Use	8
3.2 Main parts of the ceiling hoist	8
3.3 Accessories	8
4 Setup	9
4.1 Included items	9
4.2 Before Use	9
4.3 Installing the ceiling hoist	9
4.4 Inserting hand control plug	9
5 Usage	10
5.1 General safety information	10
5.2 General operating information	10
5.3 Operating the ceiling hoist	10
5.4 Indicator light and audio signal	10
5.5 Charging the Battery	10
5.6 Using the external back-up battery	11
5.7 Emergency stop	11
5.8 Emergency lowering	11
5.9 Resetting the emergency stop or lowering feature	12
6 Patient Transfer	13
6.1 General safety information	13
6.2 Attaching the Sling	13
6.3 Lifting Information	14
6.4 Lifting to and from a seated position	14
6.5 Lifting to and from a lying position	14
7 Maintenance	15
7.1 General maintenance information	15
7.2 Daily inspections	15
7.3 Cleaning and Disinfection	15
7.3.1 General safety information	15
7.3.2 Cleaning Intervals	15
7.3.3 Cleaning instructions	15
7.3.4 Disinfection instructions	15
7.4 Service interval	16
7.4.1 LOLER Statement	16
7.5 Battery Maintenance	16
8 After Use	17
8.1 Transport and Storage	17
8.2 Dismounting the ceiling hoist	17
8.3 Disposal	17
8.4 Reconditioning	17
9 Troubleshooting	18
9.1 Troubleshooting Table	18
10 Technical Data	20
10.1 Dimensions and weight	20
10.2 Electrical System	20
10.3 Environmental conditions	20
11 Electromagnetic compatibility (EMC)	21
11.1 General EMC information	21
11.2 Electromagnetic emission	21
11.3 Electromagnetic Immunity	21
11.4 Test specifications for immunity to RF wireless communications equipment	22

1 General

1.1 Introduction

This user manual contains important information about the handling of the product. To ensure safety when using the product, read the user manual carefully and follow the safety instructions.

Note that there may be sections in this document, which are not relevant to your product, since this document applies to all available models (on the date of printing). If not otherwise stated, each section in this document refers to all models of the product.

The models and configurations available in your country can be found in the country-specific sales documents.

Invacare reserves the right to alter product specifications without further notice.

Before reading this document, make sure you have the latest version. You find the latest version as a PDF on the Invacare website.

If you find that the font size in the printed document is difficult to read, you can download the PDF version from the website. The PDF can then be scaled on screen to a font size that is more comfortable for you.

For more information about the product, for example product safety notices and product recalls, contact your Invacare distributor. See addresses at the end of this document.

In case of a serious incident with the product, you should inform the manufacturer and the competent authority in your country.

1.2 Symbols in this document

Symbols and signal words are used in this document and apply to hazards or unsafe practices which could result in personal injury or property damage. See the information below for definitions of the signal words.



WARNING

Indicates a hazardous situation that could result in serious injury or death if it is not avoided.



CAUTION

Indicates a hazardous situation that could result in minor or slight injury if it is not avoided.



IMPORTANT

Indicates a hazardous situation that could result in damage to property if it is not avoided.



Tips and Recommendations

Gives useful tips, recommendations and information for efficient, trouble-free use.

1.3 Service Life

The expected service life of this product is ten years when used daily and in accordance with the safety instructions, maintenance intervals and correct use, stated in this manual. The effective service life can vary according to frequency and intensity of use.

1.4 Limitation of Liability

Invacare accepts no liability for damage arising from:

- Non-compliance with the user manual
- Incorrect use
- Natural wear and tear
- Incorrect assembly or set-up by the purchaser or a third party
- Technical modifications
- Unauthorised modifications and/or use of unsuitable spare parts

1.5 Warranty Information

We provide a manufacturer's warranty for the product in accordance with our General Terms and Conditions of Business in the respective countries.

Warranty claims can only be made through the provider from whom the product was obtained.

1.6 Compliance

Quality is fundamental to the company's operation, working within the disciplines of ISO 13485.

This product features the CE mark, in compliance with the Medical Device Regulation 2017/745 Class I. The launch date of this product is stated in the CE declaration of conformity.

We are continuously working towards ensuring that the company's impact on the environment, locally and globally, is reduced to a minimum.

We only use REACH compliant materials and components.

We comply with the current environmental legislations WEEE and RoHS.

1.6.1 Product-specific standards

The product has been tested and conforms to ISO 10535 (Hoists for the transfer of disabled persons) and all related standards.

For further information about local standards and regulations, contact your local Invacare representative. See addresses at the end of this document.

2 Safety

2.1 General safety information

This section of the manual contains general safety information about your product. For specific safety information, refer to the appropriate section of the manual and procedures within that section.



WARNING!

Risk of injury or damage

- Do not use this product or any available optional equipment without first completely reading and understanding these instructions and any additional instructional material such as user manuals or instruction sheets supplied with this product or optional equipment. If you are unable to understand the warnings, cautions or instructions, contact a healthcare professional, Invacare provider or qualified technician before attempting to use this product.
- Do not make any unauthorized alterations or modifications to the product.



WARNING!

The maximum safe working load must not be exceeded

- Do not exceed the maximum safe working load of this product or used accessories like slings, spreader bars etc. See documentation or the labeling for the stated maximum safe working load.
- The component with the lowest load limit determines the maximum safe working load of the entire system.



WARNING!

Risk of injury or damage

- Improper use of this product may cause injury or damage.
- Do not attempt any transfer without approval of the patient's healthcare professional.
 - Read the instructions in this user manual and observe trained personnel performing transfer procedures. Then practice transfers under supervision and with a capable person acting as a patient.
 - Special care must be taken with people with disabilities who cannot cooperate while being transferred.
 - The ceiling hoist is advised only to be used to lift or move a patient.
 - The red emergency strap must be adjusted to the caregiver's reach, and must not be removed.
 - If the hoist fails, lower patient onto a suitable surface using the red emergency strap before continuing the transfer by a different method.



WARNING!

Risk of injury or damage

- Inappropriate handling of cables can cause electrical shock and product failure.
- Do not kink, shear or otherwise damage the cables of the product.
 - Make sure that no cables are jammed or damaged, when the product is used.
 - Make sure the wiring is correct and connections are proper.
 - Do not use unauthorized equipment.



WARNING!

Risk of injury or damage

- Excessive moisture will damage the product and may cause electrical shock.
- The patient lift can be used in a bath or shower area but must NOT be used under the shower. The patient must be transferred to a shower chair or use other means for showering.
 - If the patient lift is used in a moisture environment, ensure that the patient lift is wiped clean of any moisture after use.
 - Do not charge the product in a moisture environment or with wet hands.
 - Do not store the product in a damp area or damp condition.
 - See 10.3 *Environmental conditions*, page 20.



WARNING!

Risk of injury or damage

- Ignition sources can cause burns or fire.
- Patient transfer must be performed with a safety space between the hoist and possible ignition sources (heater, stove, fireplace, etc.)
 - The patient and assistants must not smoke during transfer.
 - The sling must not be placed over heat sources (heater, stove, fireplace, etc.)



WARNING!

Risk of injury or damage

- To avoid injury or damage when operating the product:
- Close supervision is necessary when the product is used near children or pets.
 - Do not let children play with the product.



CAUTION!

Risk of injury or damage

- The product can get hot when exposed to sunlight or other heat sources.
- Do not expose the product to direct sunlight for prolonged periods.
 - Keep the product away from heat sources.



IMPORTANT!

- Accumulation of lint, dust and other dirt can impair the product.
- Keep the product clean.



IMPORTANT!

- The electronics may only be serviced by a qualified technician.
- Do not remove the top cover.

2.2 Safety information on accessories



CAUTION!

Risk of injury

Non-original or incorrect accessories may affect the function and safety of this product.

- Due to regional differences, refer to your local Invacare website or catalog for available accessories or contact your Invacare provider.
- See the manual delivered with the accessory for further information and instructions.
- Use only original accessories for the product in use. Under certain circumstances, the use of slings from other manufacturers is possible. See additional information in this section.
- A risk assessment is always to be carried out by a professional prior to issuing lifting equipment. It is important that the Task, Individual, Load, Environment and Equipment are considered in the risk assessment.
- Always choose the sling design and size according to the patient's weight, size and physical ability whilst considering the type of transfer to be carried out.



CAUTION!

Compatibility of slings with attachment system

Invacare uses a common attachment system based on hooks and loops. Loops on the slings are attached to hooks on the lift. Therefore, suitable slings of other manufacturers can be used on this lift as well.

- Use only slings with loop attachments that are suitable for hooks as attachment points.
- Do not use slings designed for "Keyhole or Clip Attachment Systems" or "Tilting Frame Systems".

2.3 Safety information on electromagnetic interference



WARNING!

Risk of malfunction due to electromagnetic interference

Electromagnetic interference between this product and other electrical equipment can occur and disturb the electrical adjustment functions of this product. To prevent, reduce or eliminate such electromagnetic interference:

- Only use original cables, accessories and spare parts, to not increase electromagnetic emission or reduce electromagnetic immunity of this product.
- Do not use portable radio frequency (RF) communications equipment closer than 30 cm to any part of this product (including cables).
- Do not use this product near active high-frequency surgical equipment and the RF shielded room of a system for magnetic resonance imaging, where the intensity of electromagnetic disturbances is high.
- If disturbances occur, increase the distance between this product and the other equipment or switch it off.
- Refer to the detailed information and follow the guidance in chapter 11 *Electromagnetic compatibility (EMC)*, page 21.



WARNING!

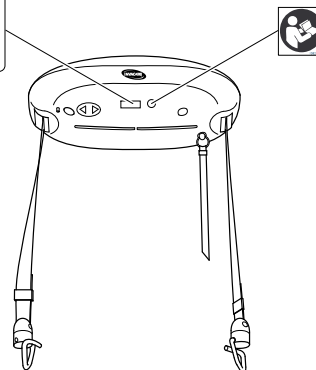
Risk of malfunction

Electromagnetic interference may cause improper operation.

- Do not use this product adjacent to or stacked with other electrical equipment. If such use is necessary this product and the other equipment must be closely observed to verify that they are operating normally.

2.4 Labels and symbols on the product

2.4.1 Label location

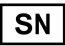











2.4.2 Identification label



The identification label contains the main product information, including technical data.

Symbols

	Serial number
	Reference number
	Manufacturer
	Date of manufacture
	Max. safe working load
	Class II equipment


	Type B applied part
	WEEE conform
	European Conformity
	Medical device

Abbreviations for technical data:

- I_{in} = Incoming Current
- U_{in} = Incoming Voltage
- Int. = Intermittence
- AC = Alternating Current
- Max = maximum
- min = minute

For more information about technical data, see *10 Technical Data, page 20.*

2.4.3 Other labels and symbols

	Refer to User Manual
---	----------------------

3 Product Overview

3.1 Intended Use

A ceiling hoist is a battery-powered transfer device, designed to be used indoor in normal temperature and humidity.

If continuously exposed to high humidity, high condensation and corrosives (e.g. chlorine or ammonia gases) the product may be impaired and a reduction in lifetime must be expected.

Common lifting situations are:

- Between the bed and a wheelchair
- To and from the toilet
- Lowering and raising patients to/from the floor

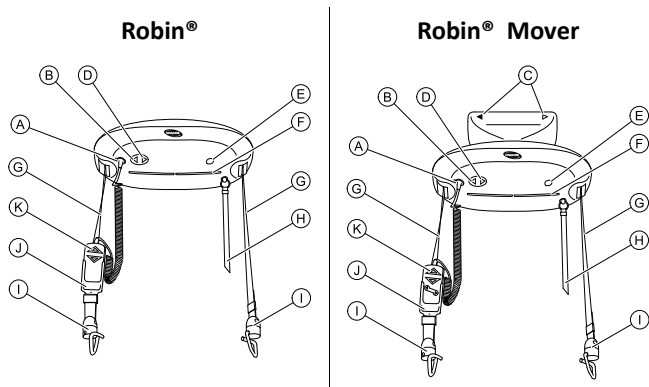
The maximum safe working load is stated in *10 Technical Data, page 20*

The ceiling hoist can be used to transfer and position completely or partially immobile patients in the recommended track system. All position changes are possible without assistance of the patient.

A healthcare professional or private person who has received proper training is the intended operator of this product.

There are no known contraindications for this product.

3.2 Main parts of the ceiling hoist



Ⓐ	Connection for hand control
Ⓑ	Control button UP
Ⓒ	Directional arrows on Robin® Mover
Ⓓ	Control button DOWN
Ⓔ	Connection for external back-up battery
Ⓕ	Indicator light
Ⓖ	Lifting straps
Ⓗ	Red emergency strap
Ⓘ	Strap hooks
Ⓙ	Retainer for hand control (accessory)
Ⓚ	Hand control

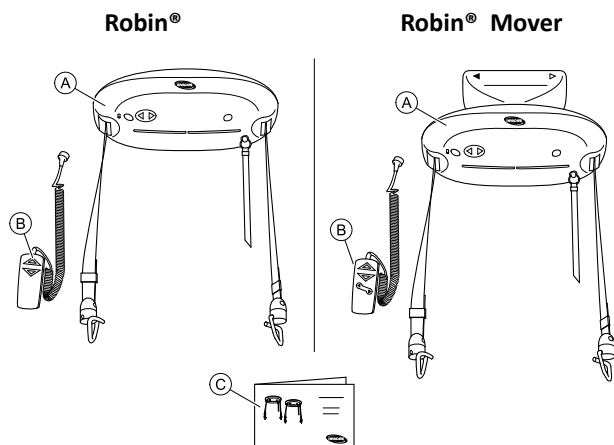
3.3 Accessories

i Due to regional differences, refer to your local Invacare website or catalog for details about available accessories or contact your Invacare provider.

- 2- and 4-point spreader bar including flexiscope version
- Stretcher for horizontal lift
- Scale including spreader bar
- Holder for hand control
- Battery charger
- Charger set (charger and holder for hand control)
- Extension straps and extension cables for hand control
- External back-up battery
- Charger for external back-up battery
- Sling models for “Loop and Coat Hanger Spreader Bar System”:
 - Full body support slings – without head support
 - Full body support slings – with head support
 - Slings for dress/toileting – with or without head support
 - Slings for amputee
 - Slings for walking training

4 Setup

4.1 Included items



- (A) Ceiling hoist including two lifting straps with hooks and an emergency strap. Robin® Mover also includes the trolley.
- (B) Hand control
- (C) User manual

4.2 Before Use



CAUTION!

– The ceiling hoist is not intended to be used together with MEDICAL ELECTRICAL EQUIPMENT.

Before first use, all features of the hoist system must be inspected by specialized service technicians.

Perform a visual inspection of the ceiling hoist. If the packaging is damaged upon arrival, the ceiling hoist parts must be thoroughly examined for visible damage or defects. If there is any suspicion of damage, the ceiling hoist must not be used before specialized service technicians have approved it.

The emergency stop is activated during shipment. Reset the emergency stop before first use. See 5.9 *Resetting the emergency stop or lowering feature*, page 12.

It is possible that the hoist's battery is discharged on account of self-discharge. Charge the hoist's battery before first use. See 5.5 *Charging the Battery*, page 10.

4.3 Installing the ceiling hoist

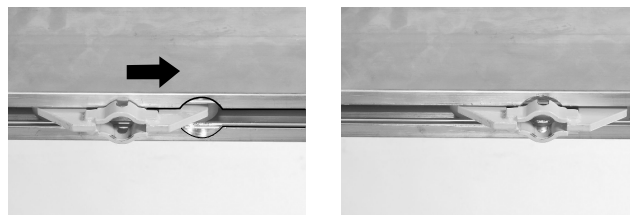
The ceiling hoist has to be mounted to a rail system for use. The rail system has to be installed and approved according to EN 10535 by a specialized dealer or specialized service technician.

Installing Robin®

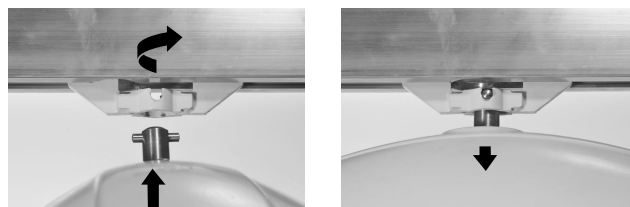
The Robin® requires a trolley, holding the ceiling hoist in the rail system. The trolley has to be pre-installed by a specialized dealer or service technician.

To mount the ceiling hoist to the trolley, do the following:

1. Locate the hoist trolley at the \varnothing 32 mm round recess in the rail.



2. Lift the hoist and push the suspension pin through the trolley opening.
3. Turn the hoist by 90 degrees to fix it in the trolley.



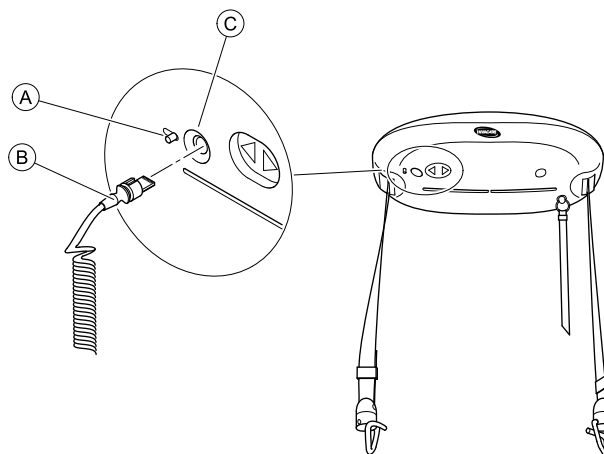
4. Adjust the length of the emergency stop/lowering cord to within the user's reach.

Installing Robin® Mover

Robin® Mover is a ceiling hoist with the trolley already attached. The trolley can therefore not be pre-installed in the rail system.

The ceiling hoist has to be installed by a specialized dealer or service technician.

4.4 Inserting hand control plug



1. Slide and hold locking lever (A) away from the aperture (C).
A gate in the aperture will open.
2. Make sure the plug (B) is in the correct orientation with the slot upwards (see image). Insert plug into aperture.
3. Release lever, so that the gate closes and hold the plug in the aperture.

Removing the hand control plug

1. Slide and hold locking lever (A) away from the aperture (C).
2. Pull the plug (B) out of the aperture.
3. Release lever.

5 Usage

5.1 General safety information



WARNING!

Risk of injury or damage

Before using the lift with a patient, refer to the following safety information and instructions:

- 2 Safety, page 5
- 6 Patient Transfer, page 13

5.2 General operating information



CAUTION!

If the lifting straps are guided incorrectly in the hoist (e.g. the straps become twisted), the ceiling hoist will automatically turn off.

- Keep the straps straight to ensure they feed into the hoist correctly. The straps are held taught by the weight of the hooks.
- Keep the straps freely suspended when the unloaded hoist is lifting/lowering.

If a user unintentionally traps the hand in the lifting strap during lifting, the hoist will automatically turn off. The hoist stops immediately when a hand gets in contact with the strap inlet.

- Keep your hands away from the strap inlet during lifting.



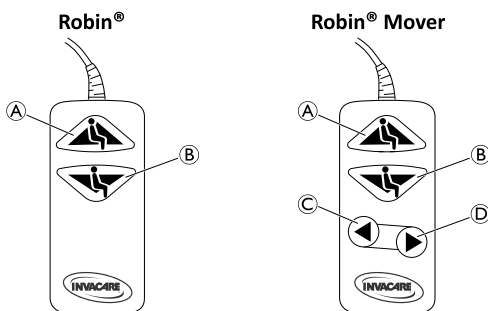
CAUTION!

The hand control is protected against splashed water (IPX4). Extended contact with water will damage the hand control.

- Do not immerse the hand control in liquids, even for a short time.
- Avoid any contact with water or other liquids.

5.3 Operating the ceiling hoist

The ceiling hoist is in operation mode as soon as a button on the hand control is pressed.



Lifting and lowering the straps



When the ceiling hoist is not loaded, it will lift/lower at high speed. When loaded with more than 10 kg, the lifting/lowering speed is automatically reduced to a safe level.

1. To lift the straps, press the UP button (A) on the hand control.
2. To lower the straps, press the DOWN button (B) on the hand control.



The ceiling hoist can also be operated by pressing the UP and DOWN buttons on the underside of the hoist.

Traverse Robin® along the track

1. Use the two lifting straps to pull the ceiling hoist along the track.



DO NOT use the red emergency strap to traverse the ceiling hoist.

Traverse Robin® Mover along the track

1. Perform one of the following:

- Hoist is loaded: Press button LEFT (C) or RIGHT (D) on the hand control to traverse the ceiling hoist along the track.
- Hoist is not loaded: Use the two lifting straps to pull the hoist along the track.



DO NOT use the red emergency strap to traverse the ceiling hoist.

It is not possible to activate both traversing and lifting/lowering function simultaneously. When the traversing function is activated, the blue indicator light on the bottom of the hoist is off. See 5.4 Indicator light and audio signal, page 10.

5.4 Indicator light and audio signal

Hoist

Status	Indicator light	Audio signal
Off / Stand by	Off	No
Hoist traversing (Robin® Mover only)		
Hoist in use (Up/Down)	Blue	No
Low battery	Blue Flashing	Yes

The blue indicator light on the underside of the hoist turns off automatically after 30 seconds.

Wall Mounted Charger

Status	Indicator light	Duration
Battery not connected	Yellow	n/a
Initializing and analysis of battery	Yellow	12–14 seconds
Fast charge	Red	5 min — 3 hours
Charged (trickle charge)	Green	n/a
Fault condition (battery defect)	Alternating red and green	n/a

5.5 Charging the Battery

If the charge status becomes low, an audible indicator sounds and the indicator lamp on the bottom of the ceiling

hoist flashes (see also *5.4 Indicator light and audio signal, page 10*). When this happens, there is usually sufficient power to lower the patient.

i It is not possible to use the hoist while the battery is charging.

1. Finish the current lift in progress
If the current lift in process discharges the battery completely, an external backup battery may be used to temporarily power the lift. See *5.6 Using the external back-up battery, page 11*.
2. Move the ceiling hoist to the charging station.
3. Assure that the hand control and charging station are clean and dry before charging
4. Place the hand control into the charging station.
A yellow indicator lamp on the charger indicates the hand control is connected. The indicator lamp illuminates red while charging.
5. When fully charged, the indicator lamp on the charger turns green.
As long as the ceiling hoist is not in use, leave the hand control in the charging station.
6. To use the ceiling hoist, remove the hand control from the charger.

i Keeping the batteries charged guarantees hoist functionality and maintains the battery to ensure a long lifetime.

If the audible indicator beeps and the blue indicator on the hoist flashes after the hoist has been fully charged and only been in use for a short period of time, the battery may need exercise or replacement. See *7.5 Battery Maintenance, page 16*.

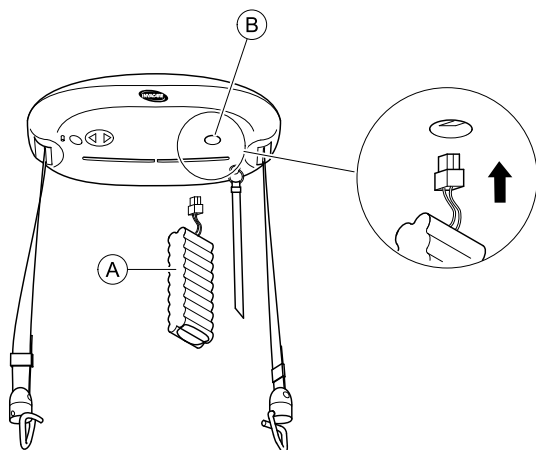
If the ceiling hoist will not be used for more than 4 weeks, Invacare recommends disconnecting the charger and pulling the emergency stop.

The charger is connected to the mains with a mains plug. Make sure that the mains plug is accessible and can be unplugged if required.

5.6 Using the external back-up battery

If the ceiling hoist has to be used immediately with its battery discharged, an external back-up battery can be used.

i Use the external back-up battery only as an exception and when absolutely necessary. The external back-up battery is available as an accessory.



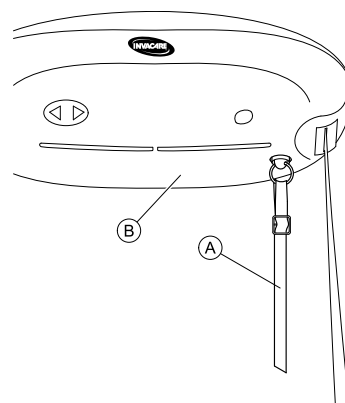
1. Insert the plug of the external back-up battery (A) into aperture (B) underside of the hoist. The external back-up battery should hang freely during patient transfer.
2. Operate the ceiling hoist as described in chapter 5.3 *Operating the ceiling hoist, page 10*.
3. Recharge the external back-up battery in order to have it fully charged for the next usage.

Charging the external battery:

1. Place the plug in the charger socket (a special adapter is necessary).
2. The LED light turns green to indicate the unit is fully charged (approx. charging time 2 hours).

5.7 Emergency stop

The emergency stop function is used to stop the patient from lowering or lifting if the ceiling hoist does not stop or react to the hand control.



1. Pull and release the red emergency strap (A) underside of the hoist (B) to activate the emergency stop. The ceiling hoist stops any lifting or lowering movement immediately.

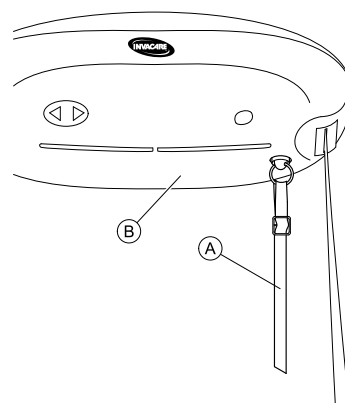


IMPORTANT!

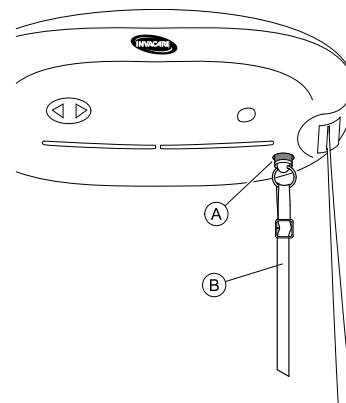
When the red emergency strap has been pulled, the hoist functions, including the end stop, are deactivated. The blue indicator light turns off.
– To activate the hoist functions again, reset the emergency stop. See *5.9 Resetting the emergency stop or lowering feature, page 12*.

5.8 Emergency lowering

The emergency lowering function is used to lower the patient only if the hoist has stopped working.



1. Pull and hold the red emergency strap **(A)** underside of the hoist **(B)** to lower the patient. Keep on pulling, until the patient is lowered to a safe position.
2. Release the red emergency strap to stop lowering the patient.



When the red emergency strap **(B)** has been pulled, the reset button **(A)** pops out so that a red ring is visible. The hoist will not function until the emergency stop or lowering feature is reset.

1. Press the reset button **(A)** to reset the emergency stop or lowering feature.
2. Activate the hand control to resume use of the hoist.

5.9 Resetting the emergency stop or lowering feature



WARNING!

- If the emergency stop or emergency lowering must be used, there is a problem with the system. Contact your dealer or Invacare representative for service before using the system again.

6 Patient Transfer

6.1 General safety information



WARNING!

Risk of Injury or Damage

Improper use of this product may cause injury or damage.

- Before transferring to a stationary object (wheelchair, bed, commode or other surface) check that its weight capacity can withstand the patient's weight.
- If applicable the brakes of the stationary object (wheelchair, bed etc.) must be applied before lowering the patient onto or lifting the patient off.



WARNING!

Risk of Injury or Damage

Damage to parts of the lift caused by impact with the floor, walls or other stationary objects may cause damage to the product and lead to injury.

- Do not allow parts of the lift to impact the floor, walls or other stationary objects.
- Always store the hand control properly when not in use.



WARNING!

Risk of injury

There is a risk of injury to the patient and caregiver caused by dangling hooks or the hand control.

- Always be aware of the position of the hooks and hand control during lifting procedures.



WARNING!

Risk of Entrapment or Strangulation

Items in the patient's surroundings can cause entrapment strangulation during lifting. To avoid entrapment or strangulation:

- Before lifting, check that the patient is completely free of his/her surroundings.
- Do not allow the hand control cord or the lifting straps to become entangled around the patient and caregivers.



WARNING!

Risk of Entrapment

There is a risk of entrapment between the hooks and the sling as well as between the hooks and the hook housing.

- Use caution when lifting.
- Never put hands or fingers on or near the hooks when lifting.
- Ensure the patient's hands and fingers are away from the hooks before lifting.



IMPORTANT!

All transfer procedures described in the following can be performed by one (1) assistant. However, Invacare recommends that the procedures are performed by two (2) assistants whenever possible.

6.2 Attaching the Sling



WARNING!

Risk of Injury

Usage of wrong or damaged slings can cause the patient to fall or cause injury to assistants.

- Use an Invacare approved sling that is recommended by the individual's doctor, nurse or medical assistant for the comfort and safety of the individual being lifted.
- Invacare slings and patient lift accessories are specifically designed to be used in conjunction with Invacare patient lifts.
- After each laundering (in accordance with instructions on the sling), inspect sling(s) for wear, tear, and loose stitching.
- Bleached, torn, cut, frayed, or damaged slings are unsafe and could result in injury. Discard immediately.
- DO NOT alter slings.



WARNING!

Risk of Injury

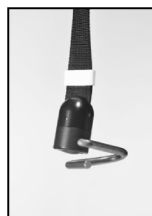
Improperly attached or adjusted slings can cause the patient to fall or cause injury to assistants.

- Be sure to check the sling attachments each time the sling is removed and replaced, to ensure that it is properly attached before the patient is removed from a stationary object (bed, chair or commode).
- DO NOT use any kind of plastic back incontinence pad or seating cushion between patient and sling material that may cause the patient to slide out of the sling during transfer.
- Position the patient in the sling as directed by the instructions provided with the sling.
- Adjustments for patient safety and comfort should be made before moving the patient.

The information in this section is only a general guideline. Refer to the sling user manual for more details about the slings.

A sling with four to six straps designed for mounting on hooks should be used when using the ceiling hoist.

The loops of the sling may be equipped with color coded straps providing different length, to place the patient in various positions. Match the corresponding colors on each side of the sling for an even lift of the patient.



The sling straps are to be hooked in pairs (one from the back and one from the leg) on their own suspension hook.



When attaching the sling to the hooks, and the straps are twisted, the straps will rotate and stretch out, thus ensuring trouble-free operation.

6.3 Lifting Information



WARNING!

Only personnel who have received training regarding the use of lifting equipment and fitting of slings should use the hoist.

- Plan the move. Avoid leaving the client in the sling unattended.
- The ceiling hoist lifts quickly. Before lifting, check that the client is completely free of his/her surroundings.
- The patient's body parts must not be in danger of becoming trapped.
- Check that the red emergency strap, hand control and hand control cable are free of the lifting straps, client and other objects before the ceiling hoist is activated and moved up or down.
- When the ceiling hoist is used correctly, the client should only be lifted to the extent that she/he is clear of the surface and should be moved at this height.

6.4 Lifting to and from a seated position



Follow this procedure when lifting a patient from a seated position (wheelchair, commode, etc.).

1. Traverse the ceiling hoist along the track towards the patient to be lifted.
2. Position the suspension hooks at the same height as the patient's chest and no closer than mid-thigh.
3. Position the suspension hooks so they are parallel to the patient's shoulders.
4. Position the patient in the sling. Refer to the sling user manual.
5. Attach the sling to the suspension hooks. Refer to 6.2 *Attaching the Sling, page 13*.

6.5 Lifting to and from a lying position



Follow this procedure when lifting a patient from a lying position.

1. Traverse the ceiling hoist along the track towards the patient to be lifted.
2. Position the suspension hooks above the patient to be lifted.
3. Align the suspension hooks with the patient's shoulders.
4. Position the patient in the sling. Refer to the sling user manual.
5. Elevate the head of the bed, so that the user is sitting up.
6. Attach the sling to the suspension hooks. Refer to 6.2 *Attaching the Sling, page 13*.

7 Maintenance

7.1 General maintenance information



CAUTION!

Risk of injury or damage

- Do not perform any maintenance or service procedures while the product is in use.

Follow the maintenance procedures described in this manual to keep your product in continuous service.

Further maintenance and inspection procedures, to be performed by a qualified technician, are described in the service manual of this product. Service manuals can be obtained from Invacare.

7.2 Daily inspections



WARNING!

Risk of injury or damage

- Damaged or worn parts can affect the safety of the lift.
- The patient lift should be checked each time it is used.
 - Do not use the lift if damage is found or you question the safety of any part of the lift. Contact your Invacare provider immediately and ensure the lift is not used until repairs are made.

Daily Inspection Checklist

- Visually inspect slings, spreader bar (optional), lifting straps and strap hooks. Check all parts for damage or wear.
- Check the emergency stop and emergency lowering function. Check all parts for external damage or wear.
- Check that all hardware and attachment points for damage or wear. Check all parts for external damage or wear.
- Verify that the hand control is functional.
- Check the battery charger.
- Charge the battery every day the lift is used.

7.3 Cleaning and Disinfection

7.3.1 General safety information



CAUTION!

Risk of contamination

- Take precautions for yourself and use appropriate protective equipment.



CAUTION!

Risk of electric shock and product damage

- Switch off the device and disconnect from mains, if applicable.
- When cleaning electronic components consider their protection class regarding water ingress.
- Make sure that no water splashes to the plug or the wall outlet.
- Do not touch the power socket with wet hands.



IMPORTANT!

- Wrong fluids or methods can harm or damage the product.
- All cleaning agents and disinfectants used must be effective, compatible with one another and must protect the materials they are used to clean.
 - Never use corrosive fluids (alkalines, acid etc.) or abrasive cleaning agents. We recommend an ordinary household cleaning agent such as dishwashing liquid, if not specified otherwise in the cleaning instructions.
 - Never use a solvent (cellulose thinner, acetone etc.) that changes the structure of the plastic or dissolves the attached labels.
 - Always make sure that the product is completely dried before taking into use again.



For cleaning and disinfection in clinical or long-term care environments, follow your in-house procedures.

7.3.2 Cleaning Intervals



IMPORTANT!

- Regular cleaning and disinfection enhances smooth operation, increases the service life and prevents contamination. Clean and disinfect the product
- regularly while it is in use,
 - before and after any service procedure,
 - when it has been in contact with any body fluids,
 - before using it for a new user.

7.3.3 Cleaning instructions



IMPORTANT!

- The product does not tolerate cleaning in automatic washing systems, with high-pressure cleaning equipment or steam.

Cleaning the lift

Method: Wipe off with a wet cloth or soft brush.

Max. temperature: 40 °C

Solvent/chemicals: Ordinary household cleaning agent and water.

Drying: Wipe dry with a soft cloth.

Cleaning the sling

Refer to the washing instructions on the sling and to the sling manual for cleaning details.

7.3.4 Disinfection instructions



Information on recommended disinfectants and methods can be found on <https://vah-online.de/en/for-users>.

In domestic care

Method: Follow the application notes for the used disinfectant and wipe-disinfect all accessible surfaces.

Disinfectant: Ordinary household disinfectant.

Drying: Allow the product to air-dry.

In clinical and long term care

Follow your in-house disinfection procedures and only use the disinfectants and methods specified therein.

7.4 Service interval



WARNING!

Risk of injury or damage

Service must be performed only by a qualified technician.

– Contact your Invacare provider for service.

Service must be performed at least every 12 months unless otherwise stated in local requirements.

The frequency of inspection must be increased, if the product is continuously exposed to high humidity, high condensation and corrosives (e.g. chlorine or ammonia gases), to prevent product impairment.

7.4.1 LOLER Statement

The UK Health and Safety Executive's Lifting Operations and Lifting Equipment Regulations 1998, require any equipment that is used in the workplace to lift a load be subject to safety inspection on a six monthly basis. Please refer to the HSE web site for guidance www.hse.gov.uk.

The person responsible for the equipment must ensure adherence to LOLER regulations.

7.5 Battery Maintenance

If the audible indicator beeps and the blue indicator on the hoist flashes after the hoist has been fully charged and only been in use for a short period of time, the battery may need to be exercised.

To enable the battery to charge fully, the battery should be exercised from time to time.

Following a long period of storage, it could also be necessary to exercise the battery.

It is also suggested that the battery is exercised in situations where the hoist is used infrequently, and/or where the hand control is placed in the charger for long periods of time. In this situation, there will always be capacity enough for a few lifts, but we recommend to exercise the battery as soon as possible afterwards.

Exercise of the battery can be done by charging and discharging the hoist completely several times.

1. Charge the battery until the LED turns green.
2. Remove the hand control from the charger.
3. Raise and lower the straps with a load for one minute.
4. Wait ten minutes.
5. Repeat Steps 3–4 until the battery is completely discharged.



Continue this process after the audible alert sounds and the blue light flashes, indicating the battery is low.

6. Repeat Steps 1–5 two to three times.

8 After Use

8.1 Transport and Storage

Invacare recommends that the ceiling hoist is always transported and stored in the original packaging. Place the ceiling hoist on a soft surface, such as a cloth or foam rubber mat.

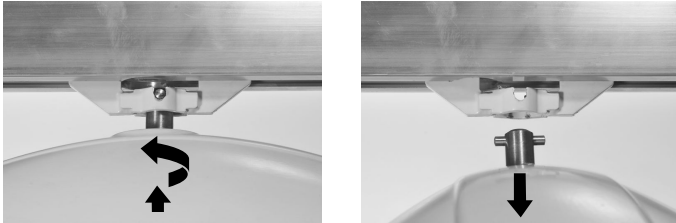
For long term storage, the emergency stop must be activated. This will reduce the discharge of the battery. Refer to 5.7 *Emergency stop, page 11*.

For transport and storage conditions of the ceiling hoist, refer to 10.3 *Environmental conditions, page 20*.

8.2 Dismounting the ceiling hoist

The ceiling hoist can be dismounted for transport or storage.

Robin®



1. Lift the hoist slightly and push the suspension pin out of its holder in the trolley.
2. Turn the hoist by 90 degrees and pull it out of the trolley.

Robin® Mover

Contact your Invacare representative or specialized dealer to have the ceiling hoist dismounted by a specialized service technician.

8.3 Disposal



WARNING!

Environmental Hazard

Device contains batteries.

This product may contain substances that could be harmful to the environment if disposed of in places (landfills) that are not appropriate according to legislation.

- DO NOT dispose of batteries in normal household waste.
- Batteries MUST be taken to a proper disposal site. The return is required by law and free of charge.
- Do only dispose discharged batteries.
- Cover terminals of lithium batteries prior to disposal.
- For information on the battery type see battery label or chapter 10 *Technical Data, page 20*.

Be environmentally responsible and recycle this product through your recycling facility at its end of life.

Disassemble the product and its components, so the different materials can be separated and recycled individually.

The disposal and recycling of used products and packaging must comply with the laws and regulations for waste handling in each country. Contact your local waste management company for information.

8.4 Reconditioning

This product is suitable for reuse. To recondition the product for a new user, carry out the following actions:

- Inspection
- Cleaning and disinfection

For detailed information, see 7 *Maintenance, page 15* and the service manual for this product.


Make sure that the user manual is handed over with the product.

If any damage or malfunction is detected, do not reuse the product.

9 Troubleshooting

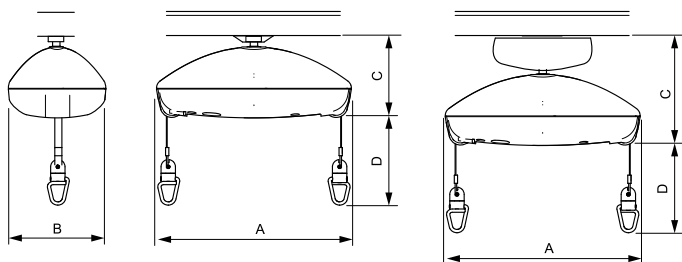
9.1 Troubleshooting Table

SYMPTOMS	PROBLEM	SOLUTION
Ceiling hoist does not respond to the hand control's buttons and up/down buttons on the ceiling hoist are not responding.	Emergency stop activated	Check that the emergency stop is not activated. Refer to <i>5.9 Resetting the emergency stop or lowering feature, page 12.</i>
	System does not have power or battery is discharged	Charge the battery or use emergency battery. Refer to <i>5.5 Charging the Battery, page 10.</i>
	Fuse is blown	The fuse needs to be replaced. Contact an Invacare representative or specialized dealer for service.
Ceiling hoist does not respond to the hand control's buttons, but up/down buttons on the ceiling hoist are responding.	Hand control not connected properly	Check the hand control plug. Refer to <i>4.4 Inserting hand control plug, page 9.</i>
	Hand control defective	Replace the hand control.
Lifting straps will only move down and not up.	Battery nearly discharged	Charge the battery or use emergency battery. Refer to <i>5.5 Charging the Battery, page 10.</i>
	Load is too high	Reduce the load. The hoist is equipped with an over-current safety system.
Lifting straps will only move up and not down.	Hand control defective	Replace the hand control.
	Loose strap function activated	Contact an Invacare representative or specialized dealer for service.
Ceiling hoist speed is the same with and without load.	Non-load quick movement function activated permanently	Contact an Invacare representative or specialized dealer for service.
Lifting straps are twisted and do not straighten out.	Lifting hooks do not turn freely enough	Clean or replace the hooks. Contact an Invacare representative or specialized dealer for service.
	Straps are frayed	Contact an Invacare representative or specialized dealer to replace the straps.
Ceiling hoist does not traverse the rails.	Rails require service or cleaning	Contact an Invacare representative or specialized dealer for service.
	Trolley worn or damaged (Robin® only)	Trolley must be replaced. Contact an Invacare representative or specialized dealer for service.
	Driving wheels worn or damaged (Robin® Mover only)	Driving wheels must be adjusted. Contact an Invacare representative or specialized dealer for service.
	Hand control defective (Robin® Mover only)	Replace the hand control.
Ceiling hoist emits excessive noise when activated.	Bearings, gearwheels or motor defective	The hoist must be replaced. Contact an Invacare representative or specialized dealer for service.
Ceiling hoist will not charge	System has no power	Check that the power supply is switched on and connected to the charging station.
		Contact an Invacare representative or specialized dealer for service.
No indicator light on hoist	System has no power or battery is discharged	Check that the ceiling hoist has power supply and that the battery is recharged.
		Place the hand control in the charging station and recharge the ceiling hoist.
The emergency strap does not turn ceiling hoist off	Ceiling hoist requires service.	Contact an Invacare representative or specialized dealer for service.
The emergency strap does not lower the ceiling hoist.	Ceiling hoist requires service.	Contact an Invacare representative or specialized dealer for service.

 If problems are not remedied by the suggested means, contact an Invacare representative or specialized dealer for service.

10 Technical Data

10.1 Dimensions and weight




Dimensions

	Robin®	Robin® Mover
Hoist length (A)	470 mm	470 mm
Hoist width (B)	250 mm	250 mm
Hoist height (C)	203 mm	266 mm
Maximum lifting range (D)	2.5 m	2.5 m

Weights

	Robin®	Robin® Mover
Maximum lifting capacity (Safe Working Load)	200 kg	200 kg
Total weight without sling	7.3 kg	10 kg

10.2 Electrical System

	Robin®	Robin® Mover
Maximum current input	0.9 A	
Protection class ¹	Entire device: IPx4 (ceiling hoist: IP24; hand control: IP44)	
Insulation class	Class II equipment	
	Type B applied part	
	Applied part complying with the specified requirements for protection against electrical shock according to IEC60601-1.	
Sound level	50 – 55 dB (A)	
Number of lifts per charge	65 lifts of 0.5 m with 80 kg	

	Robin®	Robin® Mover
Intermittent (periodic motor operation)	10%, max. 2 min. / 18 min.	
Battery	NiMH Battery 24 V / 1.9 Ah	
Charging time	Up to 3 hours at 20°C	
Lifting speed with 200 kg load	2.1 cm/s	2.1 cm/s
Traverse speed in the tracks	n/a	14 cm/s

Charger

Voltage output	During charging: 25 – 36 V DC No-load: 41 V DC
Voltage supply	100 – 240 V AC, 50 – 60 Hz
Protection class ¹	IP41 or IP67 (depending on version)

¹ See product label and label on each electric device for correct protection class. The lowest IP classification decides the overall classification of the device.

- IPx4: Protected against water splashed from any direction.
- IP24: Protected against objects larger than 12.5 mm and protected against water splashed from any direction.
- IP44: Protected against objects larger than 1 mm and protected against water splashed from any direction.
- IP41: Protected against objects larger than 1 mm and protected against vertically dripping water.
- IP67: Dust-tight and protected against temporary immersion into water.

10.3 Environmental conditions

	Storage and transportation	Operation
Temperature	-30 °C to +50 °C	+5 °C to +40 °C
Relative humidity	10 % to 70 %	20 % to 90 % at 30 °C, not condensing
Atmospheric pressure	700 hPa to 1060 hPa	



Allow the product to reach operation temperature before usage:

- Warming up from minimum storage temperature might take up to 24 hours.
- Cooling down from maximum storage temperature might take up to 24 hours.

11 Electromagnetic compatibility (EMC)

11.1 General EMC information

Medical Electrical Equipment needs to be installed and used according to the EMC information in this manual.

This product has been tested and found to comply with EMC limits specified by IEC/EN 60601-1-2 for Class B equipment.

Portable and mobile RF communications equipment can affect the operation of this product.

Other devices may experience interference from even the low levels of electromagnetic emissions permitted by the above standard. To determine if the emission from this product is causing the interference, run and stop running this product. If the interference with the other device operation stops, then this product is causing the interference. In such rare cases, interference may be reduced or corrected by the following:

- Reposition, relocate, or increase the separation between the devices.

11.2 Electromagnetic emission

Guidance and manufacturer's declaration

This product is intended for use in the electromagnetic environment specified below. The customer or the user of this product should assure that it is used in such an environment.


Emissions test	Compliance	Electromagnetic environment - guidance
RF emissions CISPR 11	Group I	This product uses RF energy only for its internal function. Therefore, its RF emissions are very low and are not likely to cause any interference in nearby electronic equipment.
RF emissions CISPR 11	Class B	This product is suitable for use in all establishments including domestic establishments and those directly connected to the public low-voltage power supply network that supplies buildings used for domestic purposes.
Harmonic emissions IEC 61000-3-2	Class A	
Voltage fluctuations /flicker emissions IEC 61000-3-3	Complies	


11.3 Electromagnetic Immunity

Guidance and manufacturer's declaration

This product is intended for use in the electromagnetic environment specified below. The customer or the user of this product should assure that it is used in such an environment.

Immunity test	Test / Compliance level	Electromagnetic environment – guidance
Electrostatic discharge (ESD) IEC 61000-4-2	± 8 kV contact ± 2 kV, ± 4 kV, ± 8 kV, ± 15 kV air	Floors should be wood, concrete or ceramic tile. If floors are covered with synthetic material, the relative humidity should be at least 30 %.
Electrostatic transient / burst IEC 61000-4-4	± 2 kV for power supply lines; 100 kHz repetition frequency ± 1 kV for input / output lines; 100 kHz repetition frequency	Mains power quality should be that of a typical commercial or hospital environment.
Surge IEC 61000-4-5	± 1 kV line to line ± 2 kV line to earth	Mains power quality should be that of a typical commercial or hospital environment.

Immunity test	Test / Compliance level	Electromagnetic environment – guidance
Voltage dips, short interruptions and voltage variations on power supply input lines IEC 61000-4-11	< 0% U_T for 0,5 cycle at 45° steps 0% U_T for 1 cycles 70% U_T for 25 / 30 cycles < 5% U_T for 250 / 300 cycles	Mains power quality should be that of a typical commercial or hospital environment. If the user of this product requires continued operation during power mains interruptions, it is recommended that the product is powered from an un-interruptible power supply or a battery. U_T is the a. c. mains voltage prior to application of the test level.
Power frequency (50/60 Hz) magnetic field IEC 61000-4-8	30 A/m	Power frequency magnetic fields should be at levels characteristic of a typical location in a typical commercial or hospital environment.
Conducted RF IEC 61000-4-6	3 V 150 kHz to 80 Mhz 6 V in ISM & amateur radio bands	Field strengths from fixed transmitters, such as base stations for radio (cellular/cordless) telephones and land mobile radios, amateur radio, AM and FM radio broadcast and TV broadcast cannot be predicted theoretically with accuracy. To assess the electromagnetic environment due to fixed RF transmitters, an electromagnetic site survey should be considered. If the measured field strength in the location in which this product is used exceeds the applicable RF compliance level above, this product should be observed to verify normal operation. If abnormal performance is observed, additional measures may be necessary, such as reorienting or relocating this product. Interference may occur in the vicinity of equipment marked with the following symbol: 
Radiated RF IEC 61000-4-3	10 V/m 80 Mhz to 2,7 GHz 385 MHz - 5785 MHz test specifications for immunity to RF wireless communication equipment refer to table 9 of IEC 60601-1-2:2014	Portable and mobile RF communications equipment should be used no closer than 30 cm to any part of this product including cables.


 These guidelines may not apply in all situations. Electromagnetic propagation is affected by absorption and reflection from structures, objects and people.

11.4 Test specifications for immunity to RF wireless communications equipment

IEC 60601-1-2:2014 — Table 9

Test Frequency (MHz)	Band ^{a)} (MHz)	Service ^{a)}	Modulation ^{b)}	Maximum power (W)	Distance (m)	Immunity test level (V/m)
385	380 - 390	TETRA 400	Pulse modulation ^{b)} 18 Hz	1.8	0.3	27
450	430 - 470	GMRS 460, FRS 460	FM ^{c)} ± 5 kHz deviation 1 kHz sine	2	0.3	28
710 745 788	704 - 787	LTE Band 13, 17	Pulse modulation ^{b)} 217 Hz	0.2	0.3	9
810 870 930	800 - 960	GSM 800/900, TETRA 800, iDEN 820, CDMA 850, LTE Band 5	Pulse modulation ^{b)} 18 Hz	2	0.3	28

Test Frequency (MHz)	Band ^{a)} (MHz)	Service ^{a)}	Modulation ^{b)}	Maximum power (W)	Distance (m)	Immunity test level (V/m)
1720 1845 1970	1700 - 1990	GSM 1800; CDMA 1900; GSM 1900; DECT; LTE Band 1, 3, 4, 25; UMTS	Pulse modulation ^{b)} 217 Hz	2	0.3	28
2450	2400 - 2570	Bluetooth, WLAN, 802.11 b/g/n, RFID 2450, LTE Band 7	Pulse modulation ^{b)} 217 Hz	2	0.3	28
5240 5500 5785	5100 - 5800	WLAN 802.11 a/n	Pulse modulation ^{b)} 217 Hz	0.2	0.3	9

 If necessary to achieve the immunity test level, the distance between the transmitting antenna and the Medical Electrical Equipment or System may be reduced to 1 m. The 1 m test distance is permitted by IEC 61000-4-3.

^{a)} For some services, only the uplink frequencies are included.

^{b)} The carrier shall be modulated using a 50 % duty cycle square wave signal.

^{c)} As an alternative to FM modulation, 50 % pulse modulation at 18 Hz may be used because while it does not represent actual modulation, it would be worst case.

Indholdsfortegnelse

Denne manual SKAL overdrages til slutbrugeren. Denne manual SKAL læses FØR brug af dette produkt og gemmes til fremtidig brug.

1 Generelt	26
1.1 Indledning	26
1.2 Symboler i denne manual	26
1.3 Servicelevetid	26
1.4 Ansvarsbegrænsning	26
1.5 Garantioplysninger	26
1.6 Overensstemmelse	26
1.6.1 Produktspecifikke standarder	26
2 Sikkerhed	27
2.1 Generelle sikkerhedsanvisninger	27
2.2 Sikkerhedsinformation vedrørende tilbehør	28
2.3 Sikkerhedsoplysninger om elektromagnetisk interferens	28
2.4 Mærkater og symboler på produktet	28
2.4.1 Placering af mærkat	28
2.4.2 Produktmærkat	29
2.4.3 Andre mærkater og symboler	29
3 Produktoversigt	30
3.1 Tiltænkt brug	30
3.2 Løftemotorens hovedkomponenter	30
3.3 Tilbehør	30
4 Udpakning	31
4.1 Medfølgende dele	31
4.2 Før brug	31
4.3 Montering af løftmotoren	31
4.4 Isætning af stik til håndbetjening	31
5 Brug	32
5.1 Generelle sikkerhedsanvisninger	32
5.2 Generel betjeningsvejledning	32
5.3 Betjening af løftmotoren	32
5.4 Indikatorlampe og lydsignal	32
5.5 Opladning af batteriet	33
5.6 Brug af det eksterne reservebatteri	33
5.7 Nødstop	33
5.8 Nødsænkning	33
5.9 Nulstilling af nødstopet eller sænkningfunktionen	34
6 Patientforflytning	35
6.1 Generelle sikkerhedsanvisninger	35
6.2 Montering af sejlet	35
6.3 Oplysninger om løft	36
6.4 Løft til og fra siddende stilling	36
6.5 Løft til og fra liggende stilling	36
7 Vedligeholdelse	37
7.1 Oplysninger om generel vedligeholdelse	37
7.2 Daglige eftersyn	37
7.3 Rengøring og desinfektion	37
7.3.1 Generelle sikkerhedsanvisninger	37
7.3.2 Rengøringsintervaller	37
7.3.3 Rengøringsinstruktioner	37
7.3.4 Desinficeringsanvisninger	38
7.4 Serviceinterval	38
7.4.1 LOLER Statement	38
7.5 Batterivedligeholdelse	38
8 Efter brug	39
8.1 Transport og opbevaring	39
8.2 Afmontering af løftmotoren	39
8.3 Bortskaffelse	39
8.4 Istandsættelse	39
9 Fejlfinding	40
9.1 Fejlfindingskema	40
10 Tekniske Data	42
10.1 Mål og vægt	42
10.2 Elektrisk system	42
10.3 Miljøforhold	42
11 Elektromagnetisk kompatibilitet (EMC)	43
11.1 Generelle oplysninger om elektromagnetisk kompatibilitet (EMC)	43
11.2 Elektromagnetisk emission	43
11.3 Elektromagnetisk immunitet	43
11.4 Testspecifikationer for immunitet for trådløst RF-kommunikationsudstyr	44

1 Generelt

1.1 Indledning

Denne brugsanvisning indeholder vigtige anvisninger om håndtering af produktet. Af sikkerhedsmæssige årsager, bør brugsanvisningen læses grundigt, og sikkerhedsanvisningerne følges.

Bemærk, at der kan være afsnit i dette dokument, der ikke er relevante for dit produkt, eftersom dette dokument gælder for alle tilgængelige modeller (på datoen for trykning). Med mindre andet er angivet, gælder hvert afsnit i dette dokument for alle produktets modeller.

Alle modeller og konfigurationer, der er tilgængelige i dit land, kan findes i de landespecifikke salgsdokumenter.

Invacare forbeholder sig retten til at ændre produktspecifikationer uden forudgående varsel.

Før denne dokument læses, skal du sikre, at det er den nyeste version. Den nyeste version findes i PDF-format på Invacares hjemmeside.

Hvis du synes, at skriftstørrelsen i det trykte dokument er svær at læse, kan du hente PDF-versionen fra hjemmesiden. PDF-versionen kan derefter skaleres på skærmen til en skriftstørrelse, der passer dig bedre.

Det er muligt at få flere oplysninger om produktet, f.eks. sikkerhedsanvisninger til produktet og tilbagekaldelser af produkter, ved at kontakte din Invacare-forhandler. Adresserne findes i slutningen af dette dokument.

I tilfælde af en alvorlig hændelse i forbindelse med produktet, skal du informere producenten og den relevante myndighed i dit land.

1.2 Symboler i denne manual

I denne manual anvendes symboler og signalord til angivelse af faresituationer eller u hensigtsmæssig anvendelse, som kan medføre person- eller produktskader. Se oplysningerne nedenfor for at få en definition af symbolerne.



ADVARSEL

Angiver en potentielt farlig situation, som kan resultere i alvorlig kvæstelse eller dødsfald, hvis den ikke undgås.



FORSIGTIG

Angiver en potentielt farlig situation, som kan resultere i en mindre eller lille kvæstelse, hvis den ikke undgås.



VIGTIGT

Angiver en potentielt farlig situation, som kan resultere i beskadigelse af ejendom, hvis den ikke undgås.



Tips og anbefalinger

Giver nyttige tips, anbefalinger og oplysninger, der sikrer en effektiv, problemfri anvendelse.

1.3 Servicelevetid

Den forventede servicelevetid for dette produkt er ti år, når det anvendes dagligt og i overensstemmelse med sikkerhedsanvisningerne, vedligeholdelsesintervallerne og den korrekte brug, der fremgår af denne brugsanvisning. Den effektive servicelevetid kan variere afhængigt af hyppighed og intensitet af brugen.

1.4 Ansvarsbegrænsning

Invacare påtager sig ikke ansvaret for skader, der skyldes:

- Manglende overholdelse af brugsanvisningen
- Forkert anvendelse
- Almindeligt slid
- Forkert samling eller indstilling foretaget af køber eller en tredjepart
- Tekniske ændringer
- Uautoriserede ændringer og/eller brug af uegnede reservedele

1.5 Garantioplysninger

Vi yder en producentgaranti på produktet i overensstemmelse med vores almindelige forretningsbetingelser og vilkår i de respektive lande.

Der kan kun rejses garantikrav gennem den forhandler, som produktet er købt hos.

1.6 Overensstemmelse

Kvalitet er afgørende for virksomhedens virke, og vi arbejder ud fra ISO 13485.

Dette produkt er CE-mærket i overensstemmelse med forordningen 2017/745 om medicinsk udstyr i klasse 1. Lanceringsdatoen for dette produkt fremgår af CE-overensstemmelseserklæringen.

Vi arbejder løbende på at sikre, at virksomhedens påvirkning af miljøet, lokalt og globalt, reduceres til et minimum.

Vi anvender udelukkende materialer og komponenter, der overholder REACH-direktivet.

Vi overholder de gældende miljølovgivninger WEEE og RoHS.

1.6.1 Produktspecifikke standarder

Produktet er blevet testet og overholder standarderne ISO 10535 (Personløftere til flytning af handicappede personer – krav og prøvningsmetoder) og alle relaterede standarder.

Kontakt din lokale Invacare-repræsentant for yderligere information om lokale standarder og forskrifter. Adresserne findes i slutningen af dette dokument.

2 Sikkerhed

2.1 Generelle sikkerhedsanvisninger

Denne del af brugsanvisningen indeholder generelle sikkerhedsanvisninger om produktet. Se sikkerhedsanvisningerne og procedurerne i det relevante afsnit i brugsanvisningen for at få specifikke sikkerhedsanvisninger.



ADVARSEL!

Risiko for personskade eller beskadigelse

- Undlad at bruge dette produkt eller nogen former for ekstraudstyr uden først at have læst og forstået denne vejledning og andet instruktionsmateriale som f.eks. brugsanvisninger eller instruktionsblade, der leveres sammen med dette produkt eller ekstraudstyret. Hvis du ikke kan forstå advarslerne, forsigtighedshenvisningerne eller anvisningerne, bedes du kontakte en læge, Invacare-leverandør eller en kvalificeret tekniker, inden du forsøger at tage produktet i brug.
- Foretag ikke uautoriserede ændringer af produktet.



ADVARSEL!

Den maksimale sikre arbejdsbelastning må ikke overskrides

- Overskrid ikke den maksimale sikre arbejdsbelastning for dette produkt eller anvendt tilbehør som sejl, løftebøjler etc. Se dokumentation eller mærkningen for den angivne maksimale sikre arbejdsbyrde.
- Komponenter med den laveste belastningsgrænse bestemmer den maksimale sikre arbejdsbelastning for hele systemet.



ADVARSEL!

Risiko for personskade eller beskadigelse

- Forkert brug af dette produkt kan medføre personskade eller materiel skade.
- Forsøg ikke forflytning uden godkendelse fra patientens læge.
 - Læs vejledningen i denne brugsanvisning, og observer det uddannede personale, der udfører forflytningsprocedurer. Øv derefter forflytninger under tilsyn og med en erfaren person, der optræder som patient.
 - Der skal tages særligt hensyn til handicappede, som ikke kan samarbejde, mens de forflyttes.
 - Det anbefales, at løftemotoren kun bruges til at løfte eller flytte en patient.
 - Den røde nødstop skal justeres efter plejerens rækkevidde, og den må ikke fjernes.
 - Hvis løftemotoren ikke fungerer, skal patienten sænkes ned på en egnet overflade ved hjælp af den røde nødstop, før forflytningen fortsættes med en anden metode.



ADVARSEL!

Risiko for personskade eller beskadigelse

- Forkert håndtering af kabler kan forårsage elektrisk stød eller produktfejl.
- Undgå at knække, skære eller på anden måde beskadige kablerne på produktet.
 - Sørg for, at ingen ledninger er fastklemt eller beskadiget, når produktet bruges.
 - Sørg for, at ledningsføringen og tilslutningerne er korrekte.
 - Anvend ikke uautoriseret udstyr.



ADVARSEL!

Risiko for personskade eller beskadigelse

- Overdreven fugt vil beskadige produktet og forårsage elektrisk stød.
- Personløfteren kan bruges i et bad eller brusebad, men må IKKE bruges under brusebadet. Patienten skal forflyttes til en brusestol eller anvende andre foranstaltninger til brusebad.
 - Hvis personløfteren bruges i et fugtigt miljø, skal du sørge for at personløfteren tørres ren for eventuel fugt efter brug.
 - Produktet må ikke oplades i fugtige omgivelser eller med våde hænder.
 - Produktet må ikke opbevares i fugtige områder eller forhold.
 - Se 10.3 Miljøforhold, side 42.



ADVARSEL!

Risiko for personskade eller beskadigelse

- Antændingskilder kan medføre forbrændinger eller brand.
- Patientforflytning skal udføres med en sikkerhedsafstand mellem løftemotoren og mulige antændingskilder (varmeovn, komfur, pejs osv.)
 - Patienten eller hjælperne må ikke ryge under forflytningen.
 - Sejlet må ikke placeres over varmekilder (varmeovn, komfur, pejs osv.)



ADVARSEL!

Risiko for personskade eller beskadigelse

- Sådan undgås personskade eller materiel skade under betjening af produktet:
- Det er nødvendigt at holde nøje opsyn, når produktet anvendes i nærheden af børn eller kæledyr.
 - Lad ikke børn lege med produktet.



FORSIGTIG!

Risiko for personskade eller beskadigelse

- Produktet kan blive varmt, når det udsættes for sollys eller andre varmekilder.
- Udsæt ikke produktet for direkte sollys i længere perioder.
 - Hold produktet væk fra varmekilder.



VIGTIGT!

- Akkumulering af fnug, støv og andet snavs kan forringe produktet.
- Hold produktet rent.

- !** **VIGTIGT!**
Elektronikken må kun serviceres af en kvalificeret tekniker.
– Fjern ikke det øverste betræk.

2.2 Sikkerhedsinformation vedrørende tilbehør

- !** **FORSIGTIG!**
Risiko for personskade
Uoriginalt eller forkert tilbehør kan påvirke dette produkts funktion og sikkerhed.
- På grund af regionale forskelle henvises der til din lokale Invacare-hjemmeside eller dit lokale Invacare-katalog for oplysninger om tilgængeligt tilbehør, eller du kan kontakte din Invacare-leverandør.
 - Se den manual, der følger med tilbehøret, for at få yderligere oplysninger og anvisninger.
 - Brug kun originalt tilbehør til det produkt, der er i brug. Under visse omstændigheder er det muligt at anvende sejl fra andre producenter. Se yderligere oplysninger i dette afsnit.
 - Der skal altid foretages en risikovurdering af en fagperson, før der udleveres løfteudstyr. Det er vigtigt at inddrage opgaven, patienten, belastningen, miljøet og udstyret i risikovurderingen.
 - Vælg altid sejl i et design og en størrelse, der passer til patientens vægt, størrelse og fysiske evner i forbindelse med den type forflytning, der skal foretages.

- !** **FORSIGTIG!**
Sejls kompatibilitet med fastgørelsessystemet
Invacare bruger et fælles fastgørelsessystem baseret på kroge og løkker. Løkkerne på sejlene fastgøres til krogene på personløfteren. Derfor kan egnede sejl fra andre producenter også bruges på denne personløfter.
- Brug kun sejl med løkkefastgørelser, der egner sig til kroge som fastgørelsespunkter.
 - Brug ikke sejl, der er designet til andre typer fastgørelsessystemer (baseret på nøglehul, klemmer eller vipperamme).

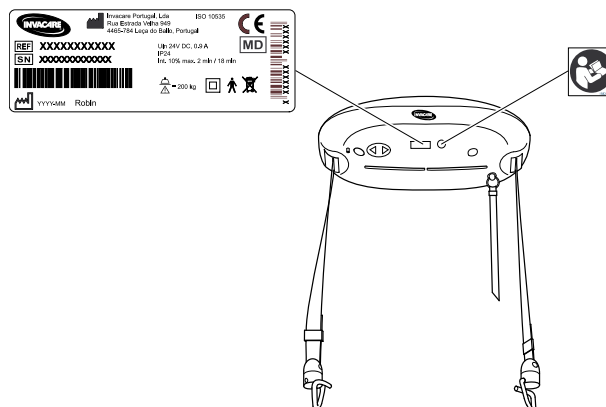
2.3 Sikkerhedsoplysninger om elektromagnetisk interferens

- !** **ADVARSEL!**
Risiko for fejlfunktion på grund af elektromagnetisk interferens
Der kan opstå elektromagnetisk interferens mellem dette produkt og andet elektrisk udstyr, og det kan forstyrre dette produkts elektriske justeringsfunktioner. Denne elektromagnetiske interferens kan forhindres, reduceres eller fjernes på følgende måde:
- Brug kun kabler, tilbehør og reservedele, der er originale, så du ikke øger dette produkts elektromagnetiske emission eller dets elektromagnetiske immunitet.
 - Undlad at bruge bærbart RF-kommunikationsudstyr (radiofrekvens) tættere end 30 cm fra nogen del af dette produkt (inklusive kabler).
 - Undlad at bruge dette produkt i nærheden af aktivt højfrekvensoperationsudstyr og det RF-afskærmede lokale for et MRI-system (Magnetic Resonance Imaging), hvor der er en høj intensitet af elektromagnetiske forstyrrelser.
 - Hvis der opstår forstyrrelser, skal du øge afstanden mellem dette produkt og det andet udstyr eller slukke for det.
 - Se de detaljerede oplysninger, og følg anvisningerne i kapitlet *11 Elektromagnetisk kompatibilitet (EMC)*, side 43.

- !** **ADVARSEL!**
Risiko for fejl
Elektromagnetisk interferens kan medføre, at udstyret ikke fungerer korrekt.
- Dette produkt må ikke bruges ved siden af eller placeret oven på andet elektrisk udstyr. Hvis en sådan brug er nødvendig, skal dette produkt og andet udstyr observeres nøje for at kontrollere, at det fungerer normalt.

2.4 Mærkater og symboler på produktet

2.4.1 Placering af mærkat

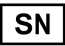











2.4.2 Produktmærkat



Produktmærket indeholder de primære produktoplysninger, herunder tekniske data.

Symboler

	Serienummer
	Referencenummer
	Producent
	Fremstillingsdato
	Maks. sikker arbejdsbelastning
	Klasse II-udstyr


	Anvendt del af type B
	WEEE-overensstemmelse
	Overholdelse af EU-krav
	Medicinsk udstyr

Forkortelser for tekniske data:

- Iin = indgangsstrøm
- Uin = indgangsspænding
- Int. = intermittens
- AC = vekselstrøm
- Max = maksimum
- min = minut

Se *10 Tekniske Data*, side 42 for at få yderligere oplysninger om tekniske data.

2.4.3 Andre mærkater og symboler

	Se brugsanvisningen
---	---------------------

3 Produktoversigt

3.1 Tiltænkt brug

En løftemotor er en batteridrevet anordning til forflytning af patienter og designet til indendørs brug ved normal temperatur og luftfugtighed.

Hvis det kontinuerligt udsættes for høj luftfugtighed, høj kondensering og korrosiver (fx klor- eller ammoniak-gasser) kan produktet blive svækket, og en forkortet levetid må forventes.

De almindelige løftesituationer er:

- Flytning mellem seng og kørestol
- Flytning til og fra toilettet
- Sænkning af patienten ned på gulvet og løftning af patienten op fra gulvet

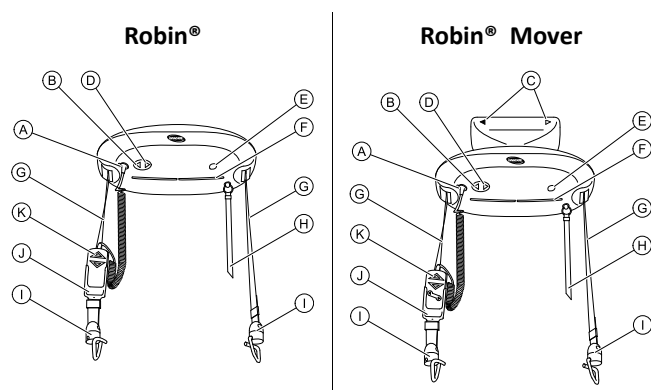
Den maksimale sikre arbejdsbelastning er angivet i 10 *Tekniske Data, side 42*

Løftemotoren kan bruges til at forflytte og placere immobile patienter helt eller delvist i det anbefalede skinnesystem. Alle positionsændringer er mulige uden hjælp fra patienten.

En lægefaglig person eller en privatperson, der har modtaget korrekt oplæring, er den tiltænkte operatør af dette produkt.

Der findes ingen kendte kontraindikationer for dette produkt.

3.2 Løftemotorens hovedkomponenter



Ⓐ	Tilslutning til håndbetjening
Ⓑ	Betjeningsknap OP
Ⓒ	Retningspile på Robin® Mover
Ⓓ	Betjeningsknap NED
Ⓔ	Tilslutning til eksternt reservebatteri
Ⓕ	Indikatorlampe
Ⓖ	Løftestropper
Ⓗ	Rød nødstrop
Ⓘ	Stropkroge
Ⓙ	Holder til håndbetjening (tilbehør)
Ⓚ	Håndbetjening

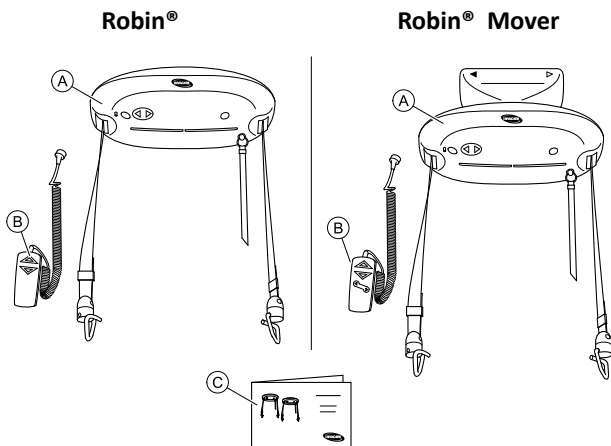
3.3 Tilbehør

i På grund af regionale forskelle skal du se din lokale Invacare-hjemmeside eller dit lokale Invacare-katalog for oplysninger om tilgængeligt tilbehør eller kontakte din Invacare-leverandør.

- 2- og 4-punkt-løftebøjle inklusive flexiscope-version
- Båre til vandret løft
- Vægt inklusive løftebøjle
- Holder til håndbetjening
- Batterioplader
- Opladersæt (oplader og holder til håndbetjening)
- Udvidelsesstropper og udvidelseskabler til håndbetjening
- Eksternt reservebatteri
- Oplader til eksternt reservebatteri
- Sejlmodeller til løftesystem med løkke og bøjle:
 - Sejl, der understøtter hele kroppen – uden hovedstøtte
 - Sejl, der understøtter hele kroppen – med hovedstøtte
 - Sejl til påklædning/toilette – med eller uden hovedstøtte
 - Sejl til personer med amputeret ben
 - Sejl til gangtræning

4 Udpakning

4.1 Medfølgende dele



- A Løftemotor inklusive to løftestropper med kroge og en nødstop. Robin® Mover inkluderer også kørevognen.
- B Håndbetjening
- C Brugsanvisning

4.2 Før brug



FORSIGTIG!

- Løftemotoren skal ikke bruges sammen med ELEKTROMEDICINSK UDSTYR.

Før første brug skal alle funktionerne i løftemotorsystemet efterses af specialiserede serviceteknikere.

Udfør en visuel inspektion af løftemotoren. Hvis emballagen er beskadiget ved levering, skal løftemotorens dele undersøges grundigt for synlige skader eller defekter. Hvis der er nogen mistanke om skader, må løftemotoren ikke bruges, før specialiserede serviceteknikere har godkendt den.

Nødstopet er aktiveret under leveringen. Nulstil nødstopet før første brug. Se 5.9 Nulstilling af nødstopet eller sænkingsfunktionen, side 34.

Det er muligt, at løftemotorens batteri har afladet sig selv under transporten. Oplad løftemotorens batteri før første brug. Se 5.5 Opladning af batteriet, side 33.

4.3 Montering af løftemotoren

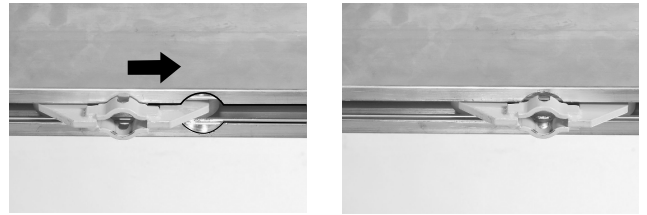
Løftemotoren skal monteres på et skinnedsystem, før den kan tages i brug. Skinnedsystemet skal monteres og godkendes i henhold til EN 10535 af en specialforhandler eller en specialiseret servicetekniker.

Montering af Robin®

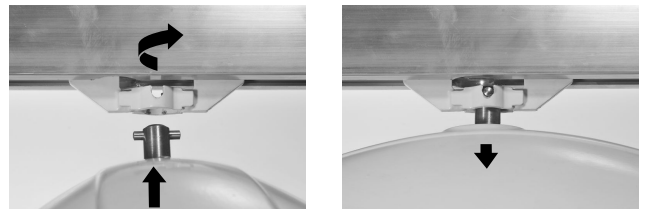
Robin® skal bruges sammen med en kørevogn, der holder løftemotoren fast i skinnedsystemet. Kørevognen skal monteres på forhånd af en specialforhandler eller en servicetekniker.

Gør følgende for at montere løftemotoren på kørevognen:

1. Anbring kørevognen til løftemotoren ved den runde fordybning med en diameter på 32 mm i skinnen.



2. Løft løftemotoren, og før affjedringsstiften gennem åbningen til kørevognen.
3. Drej løftemotoren 90 grader for at fastgøre den til kørevognen.



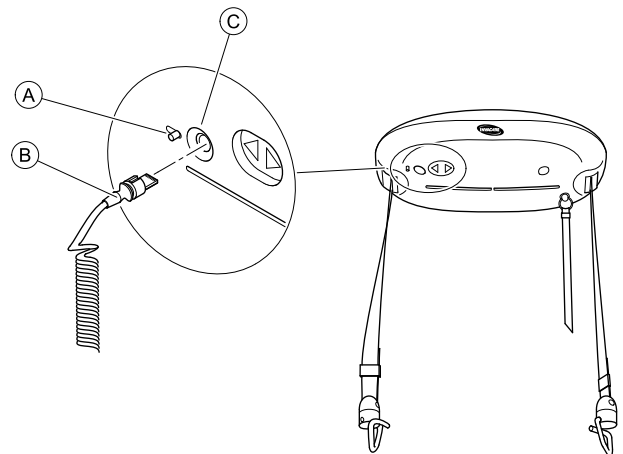
4. Juster længden på nødstop-/sænkingsledningen, så den er inden for brugerens rækkevidde.

Montering af Robin® Mover

Robin® Mover er en løftemotor, hvor kørevognen allerede er monteret. Kørevognen kan derfor ikke monteres i skinnedsystemet på forhånd.

Løftemotoren skal monteres af en specialforhandler eller en servicetekniker.

4.4 Isætning af stik til håndbetjening



1. Skub og hold låsehåndtaget A væk fra åbningen C. Der åbnes en låge i åbningen.
2. Sørg for, at stikket B peger i den rigtige retning med hullet opad (se billede). Sæt stikket i åbningen.
3. Slip håndtaget, så lågen lukker, og hold stikket inde i åbningen.

Udtagning af stik til håndbetjening

1. Skub og hold låsehåndtaget A væk fra åbningen C.
2. Træk stikket B ud af åbningen.
3. Slip håndtaget.

5 Brug

5.1 Generelle sikkerhedsanvisninger



ADVARSEL!

Risiko for personskade eller materiel skade

Se følgende sikkerhedsoplysninger og -anvisninger, før personløfteren anvendes til en patient:

- 2 Sikkerhed, side 27
- 6 Patientforflytning, side 35

5.2 Generel betjeningsvejledning



FORSIGTIG!

Hvis løftestropperne placeres forkert i løftemotoren (f.eks. hvis stropperne bliver snoede), slukker løftemotoren automatisk.

- Hold stropperne lige for at sikre, at de sidder korrekt i løftemotoren. Stropperne bliver holdt stramme af krogenes vægt.
- Hold stropperne frit ophængt, mens løftemotoren løftes/sænkes uden belastning.

Hvis en bruger ved et uheld får hånden i klemme i løftestropen under et løft, slukker løftemotoren automatisk. Løftemotoren stopper øjeblikkeligt, når en hånd kommer i kontakt med stropens indgang.

- Hold hænderne væk fra stropens indgang under løft.



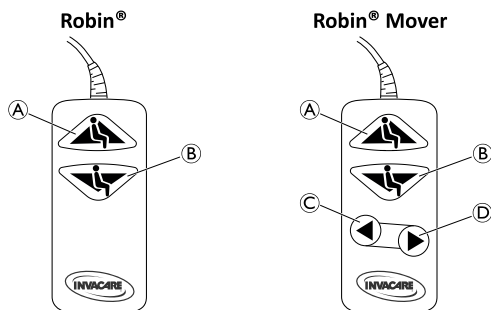
FORSIGTIG!

Håndbetjeningen er beskyttet mod vandstænk (IPX4). Langvarig kontakt med vand beskadiger håndbetjeningen.

- Håndbetjeningen må ikke nedsænkes i væske, heller ikke kortvarigt.
- Undgå enhver kontakt med vand eller andre væsker.

5.3 Betjening af løftemotoren

Løftemotoren er i betjeningstilstand, så snart der trykkes på en knap på håndbetjeningen.



Løft og sænkning af stropperne



Når der ikke er nogen belastning på løftemotoren, løfter/sænker den ved høj hastighed. Når den har en belastning på over 10 kg, reduceres løfte-/sænkehastigheden automatisk til et sikkert niveau.

1. Du kan løfte stropperne ved at trykke på OP-knappen **A** på håndbetjeningen.
2. Du kan sænke stropperne ved at trykke på NED-knappen **B** på håndbetjeningen.



Løftemotoren kan også betjenes ved at trykke på OP- og NED-knapperne på undersiden af løftemotoren.

Bevæg Robin® langs skinnen

1. Brug de to løftestropper til at trække løftemotoren langs skinnen.



Du må IKKE bruge den røde nødstop til at bevæge løftemotoren.

Bevæg Robin® Mover langs skinnen

1. Udfør en af følgende handlinger:

- Med belastning på løftemotoren: Tryk på knappen VENSTRE **C** eller HØJRE **D** på håndbetjeningen for at bevæge løftemotoren langs skinnen.
- Uden belastning på løftemotoren: Brug de to løftestropper til at trække løftemotoren langs skinnen.



Du må IKKE bruge den røde nødstop til at bevæge løftemotoren.

Det er ikke muligt at aktivere både bevægelsesfunktionen og løfte-/sænkefunktionen samtidig. Når bevægelsesfunktionen er aktiveret, er den blå indikatorlampe i bunden af løftemotoren slukket. Se 5.4 Indikatorlampe og lydssignal, side 32.

5.4 Indikatorlampe og lydssignal

Løftemotor

Status	Indikatorlampe	Lydssignal
Slukket/standby	Slukket	Nej
Bevægelse af løftemotor (kun Robin® Mover)		
Løftemotor i brug (op/ned)	Blå	Nej
Lavt batteriniveau	Blå lampe blinker	Ja


Den blå indikatorlampe på undersiden af løftemotoren slukker automatisk efter 30 sekunder.

Vægmonteret oplader


Status	Indikatorlampe	Varighed
Batteri ikke tilsluttet	Gul	Ikke relevant
Initialisering og analyse af batteriet	Gul	12-14 sekunder
Hurtig opladning	Rød	5 minutter til 3 timer
Opladet (vedligeholdelsesopladning)	Grøn	Ikke relevant
Fejltilstand (defekt batteri)	Skittevis rød og grøn	Ikke relevant

5.5 Opladning af batteriet

Hvis opladningsstatus er lav, lyder der en lydindikator, og indikatorlampen i bunden af løftmotoren blinker (se også 5.4 Indikatorlampe og lydsignal, side 32). Når dette sker, er der normalt nok strøm til at sænke patienten.

 Det er ikke muligt at bruge personløfteren, mens batteriet oplades.

1. Færdiggør det igangværende løft
Hvis det igangværende løft aflader batteriet helt, kan der bruges et eksternt reservebatteri til at forsyne personløfteren med strøm midlertidigt. Se 5.6 Brug af det eksterne reservebatteri, side 33.
2. Flyt løftmotoren til opladningsstationen.
3. Kontrollér, at håndbetjeningen og opladningsstationen er rene og tørre før opladning
4. Sæt håndbetjeningen i opladningsstationen.
En gul indikatorlampe på opladeren indikerer, at håndbetjeningen er tilsluttet. Indikatorlampen lyser rødt, når batteriet oplades.
5. Når batteriet er fuldt opladet, skifter indikatorlampen på opladeren til grøn.
Så længe løftmotoren ikke er i brug, skal håndbetjeningen være placeret i opladningsstationen.
6. Når du vil bruge løftmotoren, skal du tage håndbetjeningen ud af opladeren.

 Ved at sikre, at batterierne er opladede, garanteres personløfterens funktionalitet, og batteriet vedligeholdes med henblik på at sikre lang levetid.

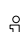
Hvis lydindikator bipper, og den blå indikator på personløfteren blinker, efter at personløfteren er blevet ladet helt op og kun har været i brug i et kort tidsrum, skal batteriet muligvis aflades helt og oplades helt eller udskiftes. Se 7.5 Batterivedligeholdelse, side 38.

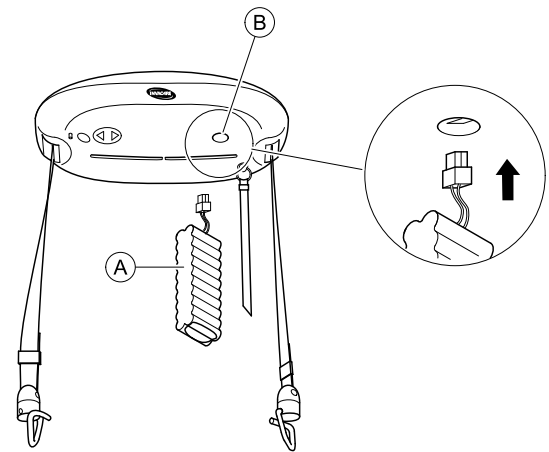
Hvis løftmotoren ikke skal bruges i over fire uger, anbefaler Invacare, at du frakobler opladeren og trækker i nødstoppet.

Opladeren er sluttet til strømforsyningen med en strømstik. Sørg for, at strømstikket er tilgængeligt og kan frakobles, hvis det er nødvendigt.

5.6 Brug af det eksterne reservebatteri

Hvis løftmotoren skal bruges med det samme, og dens batteri er afladet, kan der anvendes et eksternt reservebatteri.

 Brug kun det eksterne reservebatteri undtagelsesvist, og når det er absolut nødvendigt. Det eksterne reservebatteri kan købes som tilbehør.



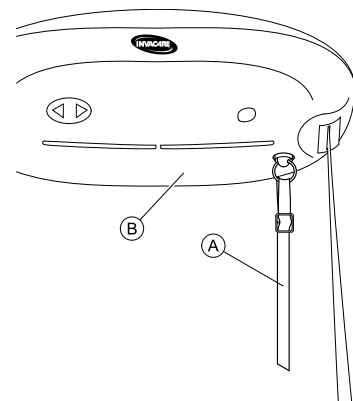
1. Sæt stikket til det eksterne reservebatteri (A) i åbningen (B) på undersiden af løftmotoren. Det eksterne reservebatteri skal hænge frit under flytning af patienter.
2. Brug løftmotoren som beskrevet i kapitel 5.3 Betjening af løftmotoren, side 32.
3. Oplad det eksterne reservebatteri for at sikre, at det er fuldt opladet til næste brug.

Sådan oplades det eksterne batteri:

1. Sæt stikket i opladerstikket (der skal bruges en særlig adapter).
2. LED-lampen skifter til grøn for at indikere, at batteriet er fuldt opladet (opladningstiden er ca. 2 timer).

5.7 Nødstop

Nødstopfunktionen bruges til at forhindre, at patienten bliver sænket eller løftet, hvis løftmotoren ikke stopper eller reagerer på håndbetjeningen.



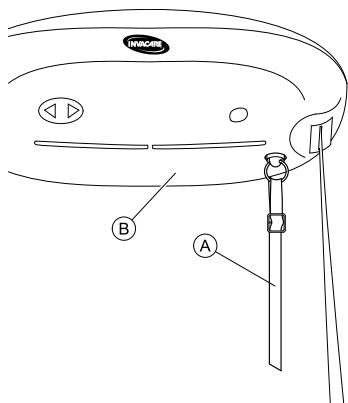
1. Du kan aktivere nødstoppet ved at trække i den røde nødstop (A) på undersiden af løftmotoren (B) og slippe den igen.
Løftmotoren stopper enhver løfte- eller sænkebevægelse øjeblikkeligt.

! VIGTIGT!

- Når der er blevet trukket i den røde nødstop, er løftfunktionerne, herunder endestoppet, deaktiveret. Den blå indikatorlampe slukkes.
– Nulstil nødstoppet for at genaktivere løftfunktionerne. Se 5.9 Nulstilling af nødstoppet eller sænkingsfunktionen, side 34.

5.8 Nødsænkning

Nødsænkingsfunktionen bruges kun til at sænke patienten, hvis personløfteren er stoppet med at fungere.



1. Patienten kan sænkes ved at trække og holde fast i den røde nødstop **A** på undersiden af personløfteren **B**. Bliv ved med at trække, indtil patienten er sænket ned til en sikker position.
2. Slip den røde nødstop for at stoppe sænkningen af patienten.

! VIGTIGT!

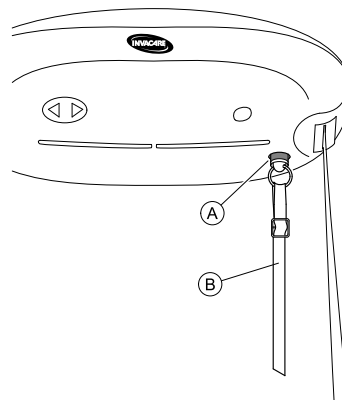
- Når der er blevet trukket i den røde nødstop, deaktiveres løftefunktionerne, og den blå indikatorlampe slukkes.
 - Træk kun i den røde nødstop, indtil patienten er sænket ned til en sikker position.
 - Nulstil nødstoppet for at genaktivere løftefunktionerne. Se 5.9 *Nulstilling af nødstoppet eller sænkningfunktionen, side 34.*

5.9 Nulstilling af nødstoppet eller sænkningfunktionen



ADVARSEL!

- Hvis det er nødvendigt at bruge nødstoppet eller nødsænkningen, er der et problem med systemet. Kontakt din lokale forhandler eller din Invacare-forhandler vedrørende service., før systemet tages i brug igen.



Når der er blevet trukket i den røde nødstop **B**, springer nulstillingsknappen **A** ud, så der kommer en rød ring til syne. Løftmotoren fungerer ikke, før nødstoppet eller sænkningfunktionen er blevet nulstillet.

1. Tryk på nulstillingsknappen **A** for at nulstille nødstoppet eller sænkningfunktionen.
2. Aktivér håndbetjeningen for at fortsætte med at bruge løftmotoren.

6 Patientforflytning

6.1 Generelle sikkerhedsanvisninger



ADVARSEL!

Risiko for personskade eller beskadigelse

Forkert brug af dette produkt kan medføre personskade eller materiel skade.

- Kontrollér før forflytning til en stationær genstand (kørestol, seng, bruse- eller toiletstol eller anden overflade), at patientens vægt ikke overstiger vægtkapaciteten.
- Hvis det er relevant, skal bremserne på den stationære genstand (kørestol, seng osv.) være låst, før patienten sænkes ned eller løftes op.



ADVARSEL!

Risiko for personskade eller beskadigelse

Beskadigelse af dele på personløfteren ved stød mod gulv, vægge eller andre stationære genstande kan medføre beskadigelse af produktet og forårsage personskade.

- Undgå, at dele af personløfteren rammer gulvet, væggene eller andre stationære genstande.
- Opbevar altid håndbetjeningen korrekt, når den ikke er i brug.



ADVARSEL!

Risiko for personskade

Der er fare for, at patienten udsættes for personskade på grund af løsthængende kroge eller håndbetjeningen.

- Vær altid opmærksom på krogenes og håndbetjeningens placering i forbindelse med løft.



ADVARSEL!

Risiko for fastklemning eller kvælning

Genstande i patientens omgivelser kan medføre, at patienten kommer i klemme eller bliver kvalt under løft. Sådan undgås fastklemning eller kvælning:

- Før der løftes, skal det kontrolleres, at patienten er helt frigjort af sine omgivelser.
- Undgå, at håndbetjeningens ledning eller løftestropperne bliver viklet omkring patienten eller plejerne.



ADVARSEL!

Risiko for fastklemning

Der er risiko for at komme i klemme mellem kroge og sejlet samt mellem kroge og krogbeslaget.

- Vær forsigtig, mens der løftes.
- Placer aldrig dine hænder eller fingre på eller i nærheden af kroge, når der løftes.
- Sørg for, at patientens hænder og fingre holdes væk fra kroge, før der løftes.



VIGTIGT!

Alle forflytningsprocedurer, der beskrives nedenfor, kan udføres af én (1) hjælper. Invacare anbefaler dog, at procedurerne udføres af to (2) hjælpere, når dette er muligt.

6.2 Montering af sejlet



ADVARSEL!

Risiko for personskade

Brug af forkerte eller beskadigede sejl kan medføre, at patienten falder, eller at hjælperne kommer til skade.

- Brug et sejl, der er godkendt af Invacare, og som er anbefalet af patientens læge, sygeplejerske eller sygehjælper for at sikre komfort og sikkerhed for patienten.
- Invacares sejl og personløftertilbehør er fremstillet specifikt til brug sammen med personløftere fra Invacare.
- Kontrollér sejlet/sejlene for slitage, flænger og løse sømme efter hver vask (som skal foretages i henhold til anvisningerne på sejlet).
- Afblegede, flængede, flossede eller beskadigede sejl er ikke sikre og kan medføre personskade. De skal kasseres med det samme.
- UNDLAD at foretage ændringer af sejl.



ADVARSEL!

Risiko for personskade

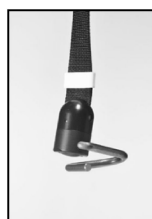
Forkert fastgjorte eller justerede sejl kan medføre, at patienten falder, eller at hjælperne kommer til skade.

- Kontrollér sejlets fastgørelsesanordninger, hver gang sejlet fjernes og sættes på, for at sikre, at det er fastgjort korrekt, før patienten flyttes fra en stationær genstand (seng, stol eller toiletstol).
- Brug IKKE nogen form for inkontinens- eller sædepolstring med plastbagside mellem patienten og sejlmaterialiet, da der her er risiko for, at patienten kan glide ud af sejlet under forflytningen.
- Anbring patienten i sejlet i henhold til anvisningerne, der fulgte med sejlet.
- Justeringer af hensyn til patientens sikkerhed og komfort skal foretages, før patienten flyttes.


Oplysningerne i dette afsnit er kun generelle retningslinjer. Se brugsanvisningen til sejlet for at få flere oplysninger om sejlene.

Der skal bruges et sejl med fire til seks stropper, der er designet til montering på kroge, ved brug af løftemotoren.

Sejlets stropper kan være udstyret med farvekodede huller i forskellige længder, så patienten kan placeres i forskellige positioner. Anbring de korrekte farver på hver side af sejlet, så patienten løftes jævnt og lige.



Sejlets stropper skal sættes fast i par (en fra ryggen og en fra benet) på deres egne ophængingskroge.

 Når sejlet fastgøres til krogene, og stropperne er snoede, vil stropperne dreje og blive strakt ud, hvilket sikrer problemfri drift.

6.3 Oplysninger om løft



ADVARSEL!

- Kun personale, der er blevet uddannet i brugen af løfteudstyr og fastgørelse af sejl, må anvende løftemotoren.
- Planlæg overflytningen. Undgå at lade patienten være i sejlet uden opsyn.
 - Løftemotoren løfter hurtigt. Før der løftes, skal det kontrolleres, at patienten er helt frigjort af sine omgivelser.
 - Der må ikke være risiko for, at patientens kropsdele kan komme i klemme.
 - Kontrollér, at den røde nødstrop, håndbetjeningen og håndbetjeningskablet er frigjort af løftestropperne, patienten og andre objekter, før løftemotoren aktiveres og bevæges op eller ned.
 - Når løftemotoren bruges korrekt, må patienten kun løftes så meget, at han/hun lige akkurat er hævet over overfladen og kan overflyttes ved denne højde.

6.4 Løft til og fra siddende stilling



Følg denne procedure, når du skal løfte en patient fra siddende stilling (kørestol, toiletstol osv.).

1. Bevæg løftemotoren langs skinnen hen mod den patient, der skal løftes.
2. Placer ophængskrogene i samme højde som patientens brystkasse og ikke tættere end midt på låret.
3. Placer ophængskrogene, så de er parallelle med patientens skuldre.
4. Anbring patienten i sejlet. Se brugsanvisningen til sejlet.
5. Sæt sejlet fast på ophængskrogene. Se 6.2 *Montering af sejlet*, side 35.

6.5 Løft til og fra liggende stilling



Følg denne procedure, når du skal løfte en patient fra liggende stilling.

1. Bevæg løftemotoren langs skinnen hen mod den patient, der skal løftes.
2. Anbring ophængskrogene over den patient, der skal løftes.
3. Sørg for, at ophængskrogene flugter med patientens skuldre.
4. Anbring patienten i sejlet. Se brugsanvisningen til sejlet.
5. Hæv hovedgærdet, så brugeren sidder op.
6. Sæt sejlet fast på ophængskrogene. Se 6.2 *Montering af sejlet*, side 35.

7 Vedligeholdelse

7.1 Oplysninger om generel vedligeholdelse


FORSIGTIG!
Risiko for personskade eller materiel skade

- Der må ikke udføres nogen vedligeholdelses- eller serviceprocedurer, mens produktet er i brug.

Følg procedurerne for vedligeholdelse, der er beskrevet i denne manual, for at sikre en problemfri anvendelse af produktet.

Yderligere vedligeholdelses- og eftersynsprocedurer, der skal udføres af en uddannet servicetekniker, er beskrevet i servicemanualen til dette produkt. Servicemanualer kan rekvireres hos Invacare.

7.2 Daglige eftersyn


ADVARSEL!
Risiko for personskade eller beskadigelse

- Slidte eller beskadigede dele kan påvirke personløfterens sikkerhed.
- Kontrollér personløfteren ved hver brug.
 - Undlad at bruge personløfteren, hvis der observeres skader, eller hvis der er tvivl om sikkerheden ved dele af den. Kontakt din Invacare-leverandør med det samme, og sørg for, at personløfteren ikke bruges, før der er foretaget reparation.

Kontrolliste til dagligt eftersyn

- Eftersø sejl, løftebøjle (ekstraudstyr), løftestropper og stropkroge visuelt. Kontrollér alle dele for skader og slitage.
- Kontrollér nødstop- og nødsænkingsfunktionen. Kontrollér alle dele for udvendige skader og slitage.
- Kontrollér alle fastgørelsesanordninger og fastgørelsespunkter for skader og slitage. Kontrollér alle dele for udvendige skader og slitage.
- Kontrollér, at håndbetjeningen fungerer.
- Kontrollér batteriopladeren.
- Oplad batteriet, hver dag personløfteren bruges.

7.3 Rengøring og desinfektion

7.3.1 Generelle sikkerhedsanvisninger


FORSIGTIG!
Risiko for smitte

- Tag forholdsregler, og brug passende beskyttelsesudstyr.


FORSIGTIG!
Risiko for elektrisk stød og beskadigelse af produktet

- Sluk for anordningen, og tag den ud af stikkontakten, hvis det er relevant.
- Når du rengør elektroniske komponenter, skal du tage hensyn til deres beskyttelsesklasse vedrørende vandindtrængning.
- Sørg for, at der ikke kommer vandsprøjt på stikket eller vægstikdåsen.
- Rør aldrig ved stikkontakten med våde hænder.


VIGTIGT!

Forkerte væsker eller metoder kan beskadige produktet.

- De anvendte rengørings- og desinfektionsmidler skal være effektive og kunne anvendes sammen, og de må ikke angribe de materialer, der rengøres.
- Brug aldrig korroderende væsker (basiske rengøringsmidler, syre osv.) eller slibende rengøringsmidler. Vi anbefaler et almindeligt husholdningsrengøringsmiddel som f.eks. opvaskesæbe, hvis der ikke angives andet i rengøringsanvisningerne.
- Brug aldrig opløsningsmidler (cellulosefortynder, acetone osv.), der ændrer plastens struktur eller opløser de påsatte mærkater.
- Sørg altid for, at produktet er helt tørt, før det tages i brug igen.



For rengøring og desinfektion i kliniske omgivelser eller omgivelser til langvarig pleje skal man følge de pågældende inhouse-procedurer.

7.3.2 Rengøringsintervaller


VIGTIGT!

Regelmæssig rengøring og desinficering fremmer problemfri drift, forlænger servicelevetiden og forebygger kontaminering.

Rengør og desinficer produktet

- regelmæssigt, mens det er i brug,
- før og efter enhver serviceprocedure,
- når det har været i kontakt med kropsvæsker,
- før det bruges til en ny bruger.

7.3.3 Rengøringsinstruktioner


VIGTIGT!

- Produktet tåler ikke vask i automatiske vaskesystemer, brug af højtryksrengøringsudstyr eller damp.

Rengøring af personløfteren

Metode: Tør af med en våd klud eller en blød børste.

Maks. temperatur: 40 °C


Opløsningsmiddel/kemikalier: Brug et almindeligt rengøringsmiddel til husholdningsbrug og vand.

Tørring: Tør efter med en blød klud.

Rengøring af sejlet

Se vaskeanvisningerne på sejlet og brugsanvisningen til sejlet for at få yderligere oplysninger.

7.3.4 Desinficeringsanvisninger

 Oplysninger om anbefalede desinfektionsmidler og -metoder findes på <https://vah-online.de/en/for-users>.

I hjemmepleje

Metode: Følg applikationens bemærkninger til det anvendte desinfektionsmiddel og påfør det på alle tilgængelige overflader.

Desinficeringsmiddel: Almindeligt desinfektionsmiddel.

Tørring: Lad produktet lufttørre.

I klinisk pleje og langtidspleje

Følg din interne desinfektionsprocedurer, og brug kun de desinfektionsmidler og -metoder, der er anført heri.

7.4 Serviceinterval



ADVARSEL!

Risiko for personskade eller beskadigelse

Service må kun foretages af en kvalificeret tekniker.

– Kontakt din Invacare-leverandør vedrørende serviceeftersyn.

Serviceeftersyn skal foretages mindst hver 12. måned, medmindre andet er anført i de lokale krav.

Inspektionshyppigheden skal øges, hvis produktet kontinuerligt udsættes for høj fugtighed, høj kondensering og korrosiver (fx klor- eller ammoniak-gasser), for at forhindre forringelse af produktet.

7.4.1 LOLER Statement

The UK Health and Safety Executive's Lifting Operations and Lifting Equipment Regulations 1998, require any equipment

that is used in the workplace to lift a load be subject to safety inspection on a six monthly basis. Please refer to the HSE web site for guidance www.hse.gov.uk.

The person responsible for the equipment must ensure adherence to LOLER regulations.

7.5 Batterivedligeholdelse

Hvis lydindikator bipper, og den blå indikator på løftmotoren blinker, efter at løftmotoren er blevet ladet helt op og kun har været i brug i et kort tidsrum, skal batteriet muligvis aflades helt og oplades helt.

For at sikre, at batteriet oplades helt, skal det aflades helt og oplades helt ind imellem.

Efter en lang opbevaringsperiode kan det også være nødvendigt at aflade batteriet helt og oplade det helt.

Det anbefales også, at batteriet aflades helt og oplades helt i situationer, hvor løftmotoren ikke bruges regelmæssigt, og/eller hvor håndbetjeningen sættes i opladeren i længere perioder. I denne situation vil der altid være tilstrækkelig kapacitet til et par løft, men vi anbefaler, at batteriet aflades helt og oplades helt så hurtigt som muligt derefter.

En grundig fuld afladning efterfulgt af fuld opladning af batteriet kan foretages ved at oplade og aflade løftmotoren helt flere gange.

1. Oplad batteriet, indtil LED'en skifter til grøn.
2. Tag håndbetjeningen ud af opladeren.
3. Hæv og sænk stropperne med belastning i et minut.
4. Vent ti minutter.
5. Gentag trin 3-4, indtil batteriet er helt afladet.



Gentag denne procedure, efter at den hørbare advarselslyd afgives, og den blå lampe blinker for at indikere, at batteriet er ved at løbe tør for strøm.

6. Gentag trin 1-5 to til tre gange.

8 Efter brug

8.1 Transport og opbevaring

Invacare anbefaler, at løftmotoren altid transporteres og opbevares i sin originale emballage. Anbring løftmotoren på et blødt underlag, f.eks. et klæde eller en skumgummimåtte.

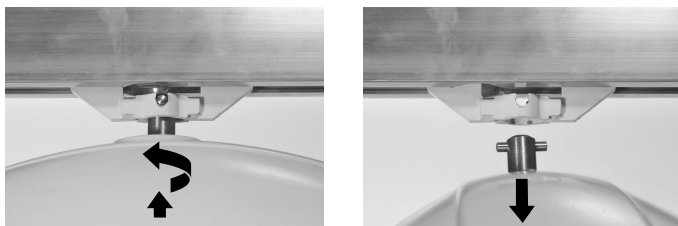
Ved langtidsopbevaring skal nødstopet aktiveres. Dette reducerer afladningen af batteriet. Se 5.7 *Nødstop*, side 33.

Du kan finde flere oplysninger om opbevaringsforholdene for løftmotoren under 10.3 *Miljøforhold*, side 42.

8.2 Afmontering af løftmotoren

Løftmotoren kan afmonteres til transport eller opbevaring.

Robin®



1. Løft løftmotoren en smule, og før affjedringsstiften ud af sin holder og ind i kørevognen.
2. Drej løftmotoren 90 grader, og træk den ud af kørevognen.

Robin® Mover

Kontakt din Invacare-forhandler eller din specialiserede forhandler for at få afmonteret løftmotoren af en specialiseret servicetekniker.

8.3 Bortskaffelse



ADVARSEL!

Miljørisici

Enheden indeholder batterier. Dette produkt kan indeholde stoffer, som kan skade miljøet, hvis de bortskaffes på steder (lossepladser), der ikke overholder gældende lovgivning.

- UNDLAD at bortskaffe batterierne sammen med almindeligt husholdningsaffald.
- Batterierne SKAL afleveres ved et korrekt bortskaffelsessted. Returnering er påbudt ved lov og er gratis.
- Bortskaf kun afladene batterier.
- Tildæk litumbatteriernes terminaler, inden de bortskaffes.
- Hvis du ønsker oplysninger om batteritypen, skal du se batterimærkatet eller kapitlet 10 *Tekniske Data*, side 42.

Vær miljøbevidst, og indlever dette produkt til genbrug til den lokale genbrugsstation, når dets levetid er opbrugt.

Skil produktet og dens komponenter ad, så de forskellige materialer kan adskilles og genbruges hver for sig.

Bortskaffelse og genanvendelse af brugte produkter og emballagematerialer skal overholde love og forskrifter for affaldshåndtering i det enkelte land. Kontakt den lokale renovationsmyndighed for at få yderligere oplysninger.

8.4 Istandsættelse

Dette produkt er egnet til genbrug. Følgende handlinger skal udføres i forbindelse med istandsættelse af produktet til en ny bruger:

- Eftersyn
- Rengøring og desinfektion

Se 7 *Vedligeholdelse*, side 37 og servicemanualen til dette produkt for at få nærmere oplysninger.

Sørg for, at brugsanvisningen bliver overdraget sammen med produktet.


Undlad at bruge produktet, hvis der konstateres skader eller fejl.

9 Fejlfinding

9.1 Fejlfindingskema

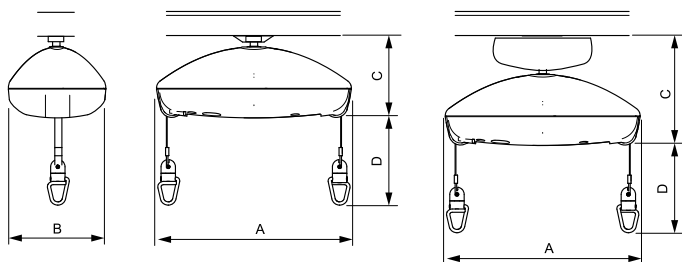
SYMPTOMER	PROBLEM	LØSNING
Løftmotoren reagerer ikke på håndbetjeningens knapper, og op/ned-knapperne på løftmotoren fungerer ikke.	Nødstopet er aktiveret	Kontrollér, at nødstopet ikke er aktiveret. Se 5.9 Nulstilling af nødstopet eller sænkningfunktionen, side 34.
	Der er ikke strøm på systemet, eller batteriet er afladet	Oplad batteriet, eller brug reservebatteriet. Se 5.5 Opladning af batteriet, side 33.
	Der er sprunget en sikring	Sikringen skal skiftes. Kontakt en Invacare-forhandler eller en specialiseret forhandler vedrørende service.
Løftmotoren reagerer ikke på håndbetjeningens knapper, men op/ned-knapperne på løftmotoren fungerer.	Håndbetjeningen er ikke tilsluttet korrekt	Kontrollér stikket til håndbetjening. Se 4.4 Isætning af stik til håndbetjening, side 31.
	Fejl i håndbetjeningen	Udskift håndbetjeningen.
Løftestropperne kan kun bevæge sig nedad og ikke opad.	Batteriet er næsten afladet	Oplad batteriet, eller brug reservebatteriet. Se 5.5 Opladning af batteriet, side 33.
	Belastningen er for stor	Reducer belastningen. Løftmotoren er udstyret med et sikkerhedssystem med overspænding.
Løftestropperne kan kun bevæge sig opad og ikke nedad.	Fejl i håndbetjeningen	Udskift håndbetjeningen.
	Løs stropfunktion aktiveret	Kontakt en Invacare-forhandler eller en specialiseret forhandler vedrørende service.
Løftmotorens hastighed er den samme både med og uden belastning.	Hurtigfunktionen, som kan anvendes uden belastning, er aktiveret permanent	Kontakt en Invacare-forhandler eller en specialiseret forhandler vedrørende service.
Løftestropperne er snoede og kan ikke rettes ud.	Løftekrogene kan ikke drejes tilstrækkeligt frit	Rengør eller udskift krogene. Kontakt en Invacare-forhandler eller en specialiseret forhandler vedrørende service.
	Stropperne er flossede	Kontakt en Invacare-forhandler eller en specialiseret forhandler med henblik på at udskifte stropperne.
Løftmotoren kører ikke på skinnerne.	Skinnerne kræver eftersyn eller rengøring	Kontakt en Invacare-forhandler eller en specialiseret forhandler vedrørende service.
	Transportsengen er slidt eller beskadiget (kun Robin®)	Transportsengen skal udskiftes. Kontakt en Invacare-forhandler eller en specialiseret forhandler vedrørende service.
	Kørehjulene er slidte eller beskadigede (kun Robin® Mover)	Kørehjulene skal justeres. Kontakt en Invacare-forhandler eller en specialiseret forhandler vedrørende service.
	Fejl i håndbetjeningen (kun Robin® Mover)	Udskift håndbetjeningen.
Løftmotoren afgiver unormal støj, når den er aktiveret.	Fejl i lejer, tandhjul eller motor	Løftmotoren skal udskiftes. Kontakt en Invacare-forhandler eller en specialiseret forhandler vedrørende service.
Løftmotoren oplades ikke	Der er ikke strøm på systemet	Kontrollér, at strømforsyningen er tændt og koblet til opladningsstationen.
		Kontakt en Invacare-forhandler eller en specialiseret forhandler vedrørende service.

SYMPTOMER	PROBLEM	LØSNING
Der er ikke noget indikatorlys på løftmotoren	Der er ikke strøm på systemet, eller batteriet er afladet	Kontrollér, at der er strømforsyning til løftmotoren, og at batteriet er opladet.
		Sæt håndbetjeningen i opladningsstationen, og oplad løftmotoren.
Nødstoppen slukker ikke løftmotoren	Løftmotoren skal have et serviceeftersyn.	Kontakt en Invacare-forhandler eller en specialiseret forhandler vedrørende service.
Nødstoppen sænker ikke løftmotoren.	Løftmotoren skal have et serviceeftersyn.	Kontakt en Invacare-forhandler eller en specialiseret forhandler vedrørende service.

 Kontakt en Invacare-forhandler eller en specialiseret forhandler, hvis problemerne ikke kan løses med de foreslåede metoder.

10 Tekniske Data

10.1 Mål og vægt




Mål

	Robin®	Robin® Mover
løftemotorens længde (A)	470 mm	470 mm
løftemotorens bredde (B)	250 mm	250 mm
løftemotorens højde (C)	203 mm	266 mm
Maks. løfteområde (D)	2,5 m	2,5 m

Vægt

	Robin®	Robin® Mover
Maks. løftekapacitet (sikker arbejdsbelastning)	200 kg	200 kg
Samlet vægt uden sejl	7,3 kg	10 kg

10.2 Elektrisk system

	Robin®	Robin® Mover
Maks. indgangsstrøm	0,9 A	
Beskyttelsesklasse ¹	Hele apparatet: IPx4 (løftemotor: IP24; håndbetjening: IP44)	
Isoleringsklasse	Klasse II-udstyr	
	Anvendt del af type B Den anvendte del overholder de angivne krav om beskyttelse mod elektrisk stød iht. IEC60601-1.	
Lydstyrke	50-55 dB (A)	
Antal løft pr. opladning	65 løft på 0,5 m med 80 kg	

	Robin®	Robin® Mover
Intermitterende (periodisk motordrift)	10 %, maks. 2 min. / 18 min.	
Batteri	NiMH-batteri 24 V / 1,9 Ah	
Opladningstid	Op til 3 timer ved 20 °C	
Løfthastighed med 200 kg vægt	2,1 cm/s	2,1 cm/s
Kørehastighed på skinnerne	Ikke relevant	14 cm/s

Oplader

Spændingsudgang	Ladekabel 25-36 V jævnstrøm Maks. belastning: 41 V jævnstrøm
Strømforsyning	100-240 V vekselstrøm, 50-60 Hz
Beskyttelsesklasse ¹	IP41 eller IP67 (afhængigt af versionen)

¹ Se den korrekte beskyttelsesklasse på produktmærkaten og på mærkaten på det elektriske udstyr. Den laveste IP-klassificering bestemmer apparatets samlede klassificering.

- IPx4: Beskyttet mod vandstænk fra alle retninger.
- IP24: Beskyttet mod genstande, der er større end 12,5 mm, og beskyttet mod vandstænk fra alle retninger.
- IP44: Beskyttet mod genstande, der er større end 1 mm, og beskyttet mod vandstænk fra alle retninger.
- IP41: Beskyttet mod genstande, der er større end 1 mm, og beskyttet mod lodret dryppende vand.
- IP67: Støvtæt og beskyttet mod midlertidig nedsænkning i vand.

10.3 Miljøforhold

	Opbevaring og transport	Betjening
Temperatur	-30 °C til +50 °C	+5 °C til +40 °C
Relativ luftfugtighed	10 % til 70 %	20 % til 90 % ved 30 °C, ikke kondenserende
Atmosfærisk tryk	700 hPa til 1060 hPa	



Lad produktet køle af til driftstemperatur før brug:

- Det kan tage op til 24 timer at opvarme fra minimal opbevaringstemperatur.
- Det kan tage op til 24 timer at køle ned fra maksimal opbevaringstemperatur.

11 Elektromagnetisk kompatibilitet (EMC)

11.1 Generelle oplysninger om elektromagnetisk kompatibilitet (EMC)

Elektromedicinsk udstyr skal installeres og anvendes i overensstemmelse med oplysningerne om elektromagnetisk kompatibilitet (EMC) i denne brugsanvisning.

Dette produkt er testet og fundet i overensstemmelse med de tilladte grænser for elektromagnetisk kompatibilitet i henhold til IEC/EN 60601-1-2 for klasse B udstyr.

Bærbart og mobilt RF-kommunikationsudstyr kan indvirke på produktets funktionsdygtighed.

Ved andre apparater kan der forekomme interferens selv fra de lave niveauer for elektromagnetiske emissioner, der er tilladt i henhold til ovennævnte standard. For at afgøre, om det er emissionen fra dette produkt, der forårsager interferensen, kan dette produkt startes og stoppes. Hvis interferensen med det andet udstyr ophører, er det dette produkt, der er årsag til interferensen. I sådanne sjældne tilfælde kan interferensen reduceres eller afhjælpes på følgende måde:

- Placér apparaterne anderledes, flyt dem, eller øg afstanden mellem dem.

11.2 Elektromagnetisk emission

Vejledning og producentens erklæring

Dette produkt er beregnet til brug i et elektromagnetisk miljø som angivet nedenfor. Kunden eller brugeren af dette produkt skal sørge for, at det anvendes i et sådant miljø.


Emissionstest	Overensstemmelse	Elektromagnetisk miljø - vejledning
RF-emissioner CISPR 11	Gruppe I	Dette produkt anvender udelukkende RF-energi til de interne funktioner. Dens RF-emissioner er derfor meget lave og burde ikke medføre interferens med andet elektronisk udstyr i nærheden.
RF-emissioner CISPR 11	Klasse Bation	Dette produkt er egnet til brug i alle bygninger, herunder private hjem og bygninger, der er tilsluttet det offentlige lavspændingsnetværk, som forsyner bygninger, der anvendes til bopælsformål.
Harmoniske emissioner IEC 61000-3-2	Klasse A	
Spændingsudsving/ flickeremissioner IEC 61000-3-3	Opfylder kravene	

11.3 Elektromagnetisk immunitet

Vejledning og producentens erklæring

Dette produkt er beregnet til brug i et elektromagnetisk miljø som angivet nedenfor. Kunden eller brugeren af dette produkt skal sørge for, at det anvendes i et sådant miljø.

Immunitetstest	Test-/overensstemmelses-niveau	Elektromagnetisk miljø – vejledning
Elektrostatisk udladning (ESD) IEC 61000-4-2	± 8 kV ved kontakt ± 2 kV, ± 4 kV, ± 8 kV, ± 15 kV via luft	Gulve skal være af træ, beton eller keramiske fliser. Hvis gulvene er belagt med syntetisk materiale, skal den relative luftfugtighed være mindst 30 %.
Hurtige elektriske overspændinger/ strømstød IEC 61000-4-4	± 2 kV for strømforsyningsledninger; 100 kHz repetitionsfrekvens ± 1 kV for indgangs-/udgangsledninger; 100 kHz repetitionsfrekvens	El-forsyning via el-nettet skal være af den kvalitet, som er normal i erhvervs- og hospitalsmiljø.
Overspænding IEC 61000-4-5	±1 kV ledning til ledning ±2 kV ledning til jordforbindelse	El-forsyning via el-nettet skal være af den kvalitet, som er normal i erhvervs- og hospitalsmiljø.

Immunitetstest	Test-/overensstemmelsesniveau	Elektromagnetisk miljø – vejledning
Spændingsfald, korte afbrydelser og spændingsudsving i strømforsyningsledninger IEC 61000-4-11	< 0 % U_T i 0,5 cyklus i trin på 45° 0 % U_T i 1 cyklus 70 % U_T i 25/30 cyklusser < 5 % U_T i 250/300 cyklusser	El-forsyning via el-nettet skal være af den kvalitet, som er normal i erhvervs- og hospitalsmiljø. Hvis brugeren af dette produkt kræver uafbrudt brug under strømafbrydelser, anbefales det, at produktet tilsluttes en nødstrømsforsyning (UPS) eller et batteri. U_T er netspændingen før testniveauet.
Netfrekvensmagnetfelt (50/60 Hz) IEC 61000-4-8	30 A/m	Netfrekvensmagnetfeltet skal være på samme niveau som ved anvendelse i et typisk erhvervs- eller hospitalsmiljø.
Ledningsbåren RF IEC 61000-4-6	3 V 150 kHz til 80 Mhz 6 V på ISM- og amatørradiofrekvensbånd	Feltstyrker fra faste sendere som f.eks. stationer til mobil- og trådløse telefoner, mobilradioer, amatørradioer, AM- og FM-radioudsendelser og tv-udsendelser kan ikke forudsiges teoretisk med nøjagtighed. Hvis det elektromagnetiske miljø forårsaget af faste RF-sendere skal vurderes, anbefales det at få foretaget en elektromagnetisk måling på stedet. Hvis den målte feltstyrke på det sted, hvor dette produkt anvendes, overstiger det gældende RF-overensstemmelsesniveau, der er angivet ovenfor, bør dette produkt overvåges nøje for at kontrollere, at det fungerer normalt. Hvis produktet ikke fungerer normalt, bør der tages yderligere forholdsregler, f.eks. ved at flytte dette produkt eller vende det i en anden retning. Interferens kan forekomme i nærheden af udstyr, der er mærket med følgende symbol: 
Feltbåren RF IEC 61000-4-3	10 V/m 80 Mhz til 2,7 GHz Testspecifikationer på 385 MHz-5785 MHz vedrørende immunitet over for trådløst RF-kommunikationsudstyr kan ses i tabel 9 i IEC 60601-1-2:2014	Bærbart og mobilt RF-kommunikationsudstyr må ikke bruges tættere end 30 cm på nogen del af dette produkt, inklusive kabler.




Der kan forekomme situationer, hvor disse retningslinjer ikke gælder. Elektromagnetisk strålingsspredning påvirkes af absorption og refleksion fra bygninger, genstande og mennesker.

11.4 Testspecifikationer for immunitet for trådløst RF-kommunikationsudstyr

IEC 60601-1-2:2014 – Tabel 9

Testfrekvens (MHz)	Bånd ^{a)} (MHz)	Service ^{a)}	Modulation ^{b)}	Maks. effekt (W)	Afstand (m)	Testniveau for immunitet (V/m)
385	380 - 390	TETRA 400	Pulsmodulation ^{b)} 18 Hz	1,8	0,3	27
450	430 - 470	GMRS 460, FRS 460	FM ^{c)} ± 5 kHz afvigelse 1 kHz sinus	2	0,3	28
710 745 788	704 - 787	LTE-bånd 13, 17	Pulsmodulation ^{b)} 217 Hz	0,2	0,3	9

Testfrekvens (MHz)	Bånd ^{a)} (MHz)	Service ^{a)}	Modulation ^{b)}	Maks. effekt (W)	Afstand (m)	Testniveau for immunitet (V/m)
810 870 930	800 - 960	GSM 800/900, TETRA 800, iDEN 820, CDMA 850, LTE-bånd 5	Pulsmodulation ^{b)} 18 Hz	2	0,3	28
1720 1845 1970	1700 - 1990	GSM 1800; CDMA 1900; GSM 1900; DECT LTE-bånd 1, 3, 4, 25; UMTS	Pulsmodulation ^{b)} 217 Hz	2	0,3	28
2450	2400 - 2570	Bluetooth, WLAN, 802.11 b/g/n, RFID 2450, LTE-bånd 7	Pulsmodulation ^{b)} 217 Hz	2	0,3	28
5240 5500 5785	5100 - 5800	WLAN 802.11 a/n	Pulsmodulation ^{b)} 217 Hz	0,2	0,3	9

 Hvis det er nødvendigt for at opnå immunitetstestniveauet, kan afstanden mellem senderantennen og det elektromedicinske udstyr eller systemet reduceres til 1 m. Testafstanden på 1 m er tilladt ifølge IEC 61000-4-3.

a) I forbindelse med visse tjenester er kun uplink-frekvenserne inkluderet.

b) Bærebølge skal justeres ved hjælp af et firkantsbølgesignal i en 50 % driftscyklus.

c) Som alternativ til FM-modulation kan der bruges 50 % pulsmodulation ved 18 Hz, da den ikke repræsenterer en egentlig modulation, men dette vil være i nødstilfælde.

Sommaire

Ce manuel DOIT être remis à l'utilisateur du produit. AVANT d'utiliser ce produit, vous DEVEZ lire ce manuel et le conserver pour pouvoir vous y reporter ultérieurement.

1 Généralités	48
1.1 Introduction	48
1.2 Symboles figurant dans ce manuel	48
1.3 Durée de vie	48
1.4 Limitation de responsabilité	48
1.5 Informations de garantie	48
1.6 Conformité	48
1.6.1 Normes spécifiques au produit	48
2 Sécurité	49
2.1 Informations de sécurité générales	49
2.2 Informations de sécurité relatives aux accessoires	50
2.3 Informations de sécurité relatives aux interférences électromagnétiques	50
2.4 Étiquettes et symboles figurant sur le produit	51
2.4.1 Emplacement de l'étiquette	51
2.4.2 Autocollant d'identification	51
2.4.3 Autres étiquettes et symboles	51
3 Présentation du produit	52
3.1 Utilisation prévue	52
3.2 Pièces principales du lève-personne sur rail	52
3.3 Accessoires	52
4 Réglages (Mise en service)	53
4.1 Éléments inclus	53
4.2 Avant utilisation	53
4.3 Installation du lève-personne sur rail	53
4.4 Insertion de la fiche de la télécommande	53
5 Utilisation	55
5.1 Informations de sécurité générales	55
5.2 Informations générales sur le fonctionnement	55
5.3 Utilisation du lève-personne sur rail	55
5.4 Témoin lumineux et signal sonore	55
5.5 Chargement de la batterie	56
5.6 Utilisation de la batterie de secours externe	56
5.7 Arrêt d'urgence	57
5.8 Abaissement d'urgence	57
5.9 Réinitialisation de la fonction d'abaissement ou d'arrêt d'urgence	57
6 Transfert du patient	58
6.1 Informations de sécurité générales	58
6.2 Fixation de la sangle	58
6.3 Informations relatives au levage	59
6.4 Levage à partir d'une position assise	59
6.5 Levage à partir d'une position couchée	60
7 Maintenance	61
7.1 Informations de maintenance générales	61
7.2 Vérifications quotidiennes	61
7.3 Nettoyage et désinfection	61
7.3.1 Informations de sécurité générales	61
7.3.2 Fréquence de nettoyage	61
7.3.3 Consignes de nettoyage	61
7.3.4 Instructions de désinfection	62
7.4 Intervalle entre les révisions	62
7.4.1 LOLER Statement	62
7.5 Maintenance de la batterie	62
8 Après l'utilisation	63
8.1 Transport et stockage	63
8.2 Démontage du lève-personne sur rail	63
8.3 Mise au rebut	63
8.4 Reconditionnement	63
9 Dépannage	64
9.1 Tableau de dépannage	64
10 Caractéristiques Techniques	66
10.1 Dimensions et poids	66
10.2 Système électrique	66
10.3 Conditions ambiantes	66
11 Compatibilité électromagnétique (CEM)	67
11.1 Informations relatives aux interférences électromagnétiques	67
11.2 Émissions électromagnétiques	67
11.3 Immunité électromagnétique	67
11.4 Spécifications d'essai pour l'immunité à l'équipement de communication sans fil RF	68

1 Généralités

1.1 Introduction

Le présent manuel d'utilisation contient des informations importantes sur la manipulation du produit. Pour garantir une utilisation en toute sécurité du produit, lisez attentivement le manuel d'utilisation et respectez les instructions de sécurité.

Veillez noter que certaines sections du présent document peuvent ne pas s'appliquer à votre produit, étant donné que le document concerne tous les modèles disponibles (à la date d'impression). Sauf mention contraire, chaque section de ce document se rapporte à tous les modèles du produit.

Les modèles et les configurations disponibles dans votre pays sont répertoriés dans les documents de vente spécifiques au pays.

Invacare se réserve le droit de modifier les caractéristiques des produits sans préavis.

Avant de lire ce document, assurez-vous de disposer de la version la plus récente. Cette version est disponible au format PDF sur le site Internet d'Invacare.

Si la taille des caractères de la version imprimée du document vous semble trop difficile à lire, vous pouvez télécharger la version PDF sur le site Internet. Vous pourrez alors ajuster la taille des caractères à l'écran pour améliorer votre confort visuel.

Pour obtenir plus d'informations sur le produit, comme les avis de sécurité ou les rappels du produit, contactez votre représentant Invacare local. Reportez-vous aux adresses indiquées à la fin du présent document.

En cas d'incident grave avec le produit, vous devez en informer le fabricant et l'autorité compétente de votre pays.

1.2 Symboles figurant dans ce manuel

Les symboles et mots d'avertissement utilisés dans le présent manuel s'appliquent aux risques ou aux pratiques dangereuses qui pourraient provoquer des blessures ou des dommages matériels. Reportez-vous aux informations ci-dessous pour la définition des symboles d'avertissement.



AVERTISSEMENT

Indique une situation dangereuse qui, si elle n'est pas évitée, est susceptible de provoquer des blessures graves, voire mortelles.



ATTENTION

Indique une situation dangereuse qui, si elle n'est pas évitée, est susceptible de provoquer des blessures mineures ou légères.



IMPORTANT

Indique une situation dangereuse qui, si elle n'est pas évitée, est susceptible de provoquer des dommages matériels.



Conseils et recommandations

Donne des conseils, recommandations et informations utiles pour une utilisation efficace et sans souci.

1.3 Durée de vie

La durée de vie attendue de ce produit est de dix ans lorsqu'il est utilisé quotidiennement et dans le respect des instructions de sécurité, des intervalles de maintenance et avec une utilisation correcte, comme indiqué dans le présent manuel. La durée de vie effective peut varier en fonction de la fréquence et de l'intensité de l'utilisation.

1.4 Limitation de responsabilité

Invacare décline toute responsabilité en cas de dommage lié à :

- un non respect du manuel d'utilisation,
- une utilisation incorrecte,
- l'usure normale,
- un assemblage ou montage incorrect par l'acheteur ou des tiers,
- des modifications techniques,
- des modifications non autorisées et/ou l'utilisation de pièces de rechange inadaptées.

1.5 Informations de garantie

Nous fournissons une garantie fabricant pour le produit, conformément à nos conditions générales de vente en vigueur dans les différents pays.

Les réclamations au titre de la garantie ne peuvent être adressées qu'au fournisseur auprès duquel le produit a été obtenu.

1.6 Conformité

La qualité est un élément fondamental du fonctionnement de notre entreprise, qui travaille conformément à la norme ISO 13485.

Ce produit porte le label CE et est conforme à la Réglementation sur les dispositifs médicaux de classe I 2017/745. La date de lancement de ce produit est indiquée dans la déclaration de conformité CE.

Nous nous efforçons en permanence de réduire au minimum notre impact sur l'environnement, à l'échelle locale et mondiale.

Nous n'utilisons que des matériaux et composants conformes au règlement REACH.

Nous respectons la législation en vigueur en matière d'environnement, notamment, les directives DEEE et RoHS.

1.6.1 Normes spécifiques au produit

Ce produit a été testé et il est conforme à la norme ISO 10535 (Produits d'assistance pour personnes en situation de handicap) et à toutes les normes associées.

Pour des informations complémentaires sur les normes et réglementations locales, contactez un représentant Invacare. Reportez-vous aux adresses indiquées à la fin du présent document.

2 Sécurité

2.1 Informations de sécurité générales

Cette section du manuel fournit des informations de sécurité générales relatives à votre produit. Pour des informations de sécurité spécifiques, consultez la section correspondante du manuel et les procédures indiquées dans cette section.



AVERTISSEMENT !

Risque de blessures ou de dommages matériels

- N'utilisez pas ce produit ni aucun autre équipement disponible en option sans avoir lu et compris entièrement les présentes instructions et toute autre documentation d'instructions supplémentaire, telle que les manuels d'utilisation ou les fiches d'instructions fournis avec ce produit ou avec l'équipement en option. Si vous ne comprenez pas les avertissements, mises en garde ou instructions, contactez un professionnel de santé, un fournisseur Invacare ou un technicien qualifié avant d'utiliser ce produit.
- N'effectuez aucune modification ou transformation non autorisée du produit.



AVERTISSEMENT !

La charge maximale d'utilisation ne doit pas être dépassée.

- Ne dépassez pas la charge maximale d'utilisation de ce produit ou des accessoires utilisés (sangles, fléaux, etc.). Reportez-vous à la documentation ou à l'étiquette pour connaître la charge maximale d'utilisation.
- Le composant ayant la limite de charge la plus basse détermine la charge maximale d'utilisation de l'ensemble du système.



AVERTISSEMENT !

Risque de blessures ou de dommages matériels

- Une utilisation inadéquate de ce produit est susceptible d'entraîner des blessures ou des dommages matériels.
- Ne tentez jamais de transférer un patient sans l'accord de son équipe médicale.
 - Lisez les instructions contenues dans le présent manuel d'utilisation et observez des personnes expérimentées effectuer les procédures de transfert. Exercez-vous ensuite au transfert, sous supervision, et avec un individu valide jouant le rôle du patient.
 - Une attention particulière doit être apportée aux personnes souffrant de handicaps, car elles ne seront pas en mesure de coopérer lors des opérations de transfert.
 - Le lève-personne sur rail doit exclusivement être utilisé pour le levage ou le déplacement d'un patient.
 - Le cordon d'urgence rouge doit être réglé de façon à être à la portée de l'aide-soignant, et ne doit jamais être retiré.
 - En cas de dysfonctionnement du lève-personne, abaissez le patient sur une surface adaptée au moyen du cordon d'urgence rouge avant de poursuivre le transfert par un autre moyen.



AVERTISSEMENT !

Risque de blessures ou de dommages matériels

- Une manipulation inappropriée des câbles peut provoquer une décharge électrique et la panne du produit.
- Les câbles du produit ne doivent pas être entortillés, cisailés ou endommagés d'une manière quelconque.
 - Assurez-vous qu'aucun câble n'est coincé ou endommagé lors de l'utilisation du produit.
 - Assurez-vous que le câblage et les branchements sont corrects.
 - N'utilisez pas d'équipements non autorisés.



AVERTISSEMENT !

Risque de blessures ou de dommages matériels

- Une humidité excessive risque d'endommager le produit et de provoquer des décharges électriques.
- Le lève-personne peut s'utiliser dans une salle de bains, mais ne doit PAS être utilisé sous la douche. Le patient doit être transféré sur une chaise de douche ou doit utiliser d'autres moyens pour se doucher.
 - Si le lève-personne est utilisé dans un environnement humide, veillez à ce qu'il soit correctement nettoyé et séché après utilisation.
 - Ne chargez pas le produit dans un environnement humide ou avec des mains mouillées.
 - Ne stockez pas le produit dans un endroit humide ou s'il n'est pas parfaitement sec.
 - Reportez-vous à la section *10.3 Conditions ambiantes*, page 66.



AVERTISSEMENT !

Risque de blessures ou de dommages matériels

- Les sources d'inflammation peuvent provoquer des brûlures ou un incendie.
- Le transfert du patient doit être effectué en veillant à conserver un espace de sécurité entre le lève-personne sur rail et les sources d'inflammation possibles (chauffage, cuisinière, cheminée, etc.)
 - Le patient et les tierces-personnes ne doivent pas fumer pendant le transfert.
 - La sangle ne doit pas être placée au-dessus de sources de chaleur (chauffage, cuisinière, cheminée, etc.)



AVERTISSEMENT !

Risque de blessures ou de dommages matériels

- Pour éviter tout risque de blessure ou de dommage lors de l'utilisation du produit :
- Une surveillance étroite s'impose lorsque le produit est utilisé à proximité d'enfants ou d'animaux de compagnie.
 - Ne laissez jamais des enfants jouer avec le produit.

**ATTENTION !****Risque de blessures ou de dommages matériels**

Les composants du produit peuvent devenir brûlants en cas d'exposition au soleil ou à d'autres sources de chaleur.

- N'exposez pas le produit à la lumière directe du soleil pendant des périodes prolongées.
- Éloignez le produit des sources de chaleur.

**IMPORTANT !**

L'accumulation de peluches, de poussières et d'autres saletés risque de nuire au fonctionnement du produit.

- Veillez à ce que le produit reste toujours propre.

**IMPORTANT !**

Seuls des techniciens qualifiés sont habilités à procéder à l'entretien des composants électroniques.

- NE retirez PAS le capot.

2.2 Informations de sécurité relatives aux accessoires

**ATTENTION !****Risque de blessure**

L'utilisation d'accessoires non adaptés ou qui ne sont pas d'origine peut affecter le fonctionnement et la sécurité de ce produit.

- En raison de différences régionales, vous devez vous reporter au site Internet ou au catalogue Invacare de votre pays pour connaître les accessoires qui sont disponibles ; vous pouvez également contacter votre fournisseur Invacare.
- Consultez les informations et les instructions figurant dans le manuel fourni avec chaque accessoire.
- Utilisez uniquement les accessoires d'origine du produit utilisé. Dans certaines circonstances, des sangles d'autres marques peuvent être utilisées. Des informations complémentaires sont données dans cette même section.
- Une évaluation des risques doit toujours être effectuée par un professionnel avant la prescription d'un système de levage. Il est important de prendre en compte la tâche, l'individu, la charge, l'environnement et l'équipement dans l'évaluation des risques.
- Le modèle et la taille de la sangle doivent toujours être choisis en fonction du poids, de la taille et des aptitudes physiques du patient, tout en tenant compte du type de transfert à effectuer.

**ATTENTION !****Compatibilité des sangles avec le système de fixation**

Invacare utilise un système de fixation courant basé sur des boucles et des crochets. Les boucles des sangles sont attachées aux crochets du lève-personne. De ce fait, il est possible d'utiliser des sangles d'autres marques, dans la mesure où celles-ci sont adaptées à ce lève-personne.

- Utilisez uniquement des sangles munies de fixations à boucles, adaptées aux points de fixation par crochets.
- N'utilisez pas des sangles conçues pour les systèmes de type « trou de serrure ou fixation par clip » ou « support basculant ».

2.3 Informations de sécurité relatives aux interférences électromagnétiques

**AVERTISSEMENT !****Risque de dysfonctionnement dû aux interférences électromagnétiques**

Des interférences électromagnétiques peuvent se produire entre ce produit et d'autres équipements électriques et affecter les fonctions de réglage électrique de ce produit. Pour prévenir, réduire ou éliminer ces interférences électromagnétiques :

- Veillez à utiliser uniquement des câbles, accessoires et pièces de rechange d'origine, afin de ne pas accroître les émissions électromagnétiques, ni réduire l'immunité électromagnétique de ce produit.
- N'utilisez aucun équipement de communication portable à fréquences radioélectriques (RF) à moins de 30 cm d'une partie quelconque de ce produit (câbles compris).
- N'utilisez pas ce produit à proximité d'un équipement chirurgical actif à haute fréquence, ni d'une salle d'imagerie à résonance magnétique avec blindage RF, où l'intensité des perturbations électromagnétiques est élevée.
- En cas de perturbations, augmentez la distance entre ce produit et l'autre équipement ou mettez-le hors tension.
- Reportez-vous aux informations détaillées figurant au chapitre 11 *Compatibilité électromagnétique (CEM)*, page 67 et suivez les recommandations.

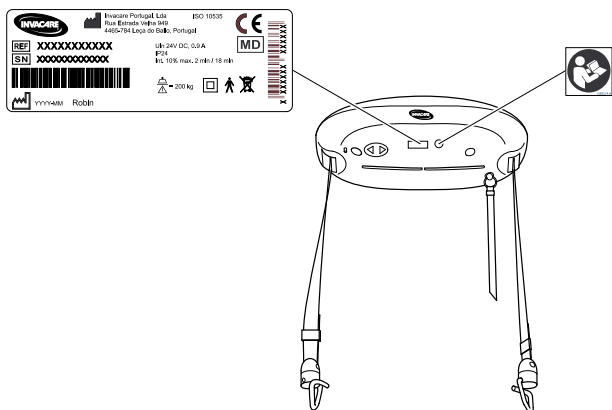
**AVERTISSEMENT !****Risque de dysfonctionnement**

Des interférences électromagnétiques peuvent affecter le fonctionnement.

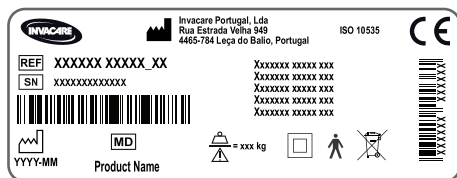
- Lorsque vous l'utilisez, ce produit ne doit pas être placé à côté ou sur un autre équipement électrique. Si cela est nécessaire, il est indispensable d'inspecter rigoureusement ce produit et l'autre équipement afin de vérifier qu'ils fonctionnent normalement.

2.4 Étiquettes et symboles figurant sur le produit

2.4.1 Emplacement de l'étiquette



2.4.2 Autocollant d'identification



L'autocollant d'identification fournit les informations principales concernant le produit, notamment les caractéristiques techniques.

Symboles

	Numéro de série
	Numéro de référence

	Fabricant
	Date de fabrication
	Charge maximale d'utilisation
	Équipement de classe II
	Pièce appliquée de type B
	Conforme DEEE
	Conformité européenne
	Dispositif médical

Abréviations utilisées dans les caractéristiques techniques :

- lin = Intensité en entrée
- Uin = Tension en entrée
- Int. = Intermittence
- CA = Courant alternatif
- Max = maximum
- min = minute

Pour plus d'informations sur les caractéristiques techniques, reportez-vous au chapitre 10 *Caractéristiques Techniques*, page 66.

2.4.3 Autres étiquettes et symboles

	Reportez-vous au manuel d'utilisation
--	---------------------------------------

3 Présentation du produit

3.1 Utilisation prévue

Un lève-personne sur rail est un appareil de transfert alimenté par batterie, conçu pour être utilisé à l'intérieur, dans des conditions de température et d'humidité normales.

Si le produit est continuellement exposé à une humidité élevée, à une forte condensation ou à des produits corrosifs (gaz de chlore ou d'ammoniac, par exemple), le produit peut s'endommager et sa durée de vie risque de diminuer.

Situations de levage les plus courantes :

- Entre le lit et un fauteuil roulant
- Vers et depuis la salle de bains
- Pour l'élévation et la descente de patients vers/ depuis le sol

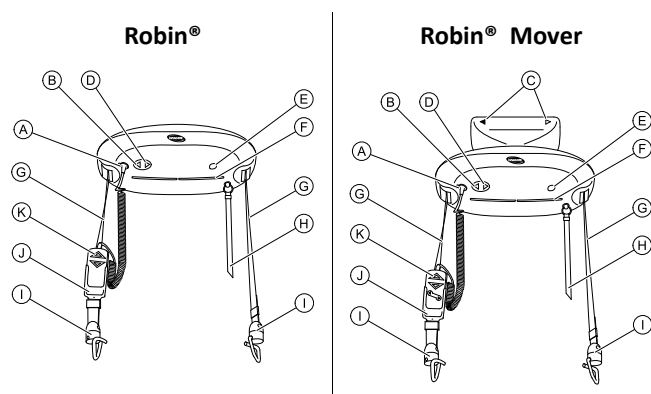
La charge maximale d'utilisation est indiquée dans la section *10 Caractéristiques Techniques, page 66*

Le lève-personne sur rail peut être utilisé pour transférer et positionner des patients complètement ou partiellement immobiles sur le système de rails recommandé. Tous les changements de position peuvent être effectués sans l'aide du patient.

Ce produit est conçu pour être utilisé par un professionnel de santé ou un particulier ayant été formé à cet effet.


Ce produit ne présente aucune contre-indication connue.

3.2 Pièces principales du lève-personne sur rail



Ⓐ	Connecteur pour télécommande
Ⓑ	Bouton de commande HAUT
Ⓒ	Flèches directionnelles sur le Robin® Mover
Ⓓ	Bouton de commande BAS
Ⓔ	Connecteur pour batterie de secours externe
Ⓕ	Témoin lumineux
Ⓖ	Sangles de levage
Ⓗ	Cordon d'urgence rouge
Ⓘ	Crochets de suspension
Ⓙ	Support de rangement pour télécommande (accessoire)
Ⓚ	Télécommande

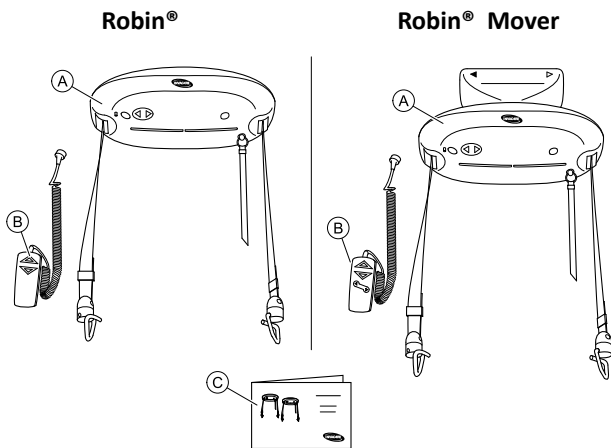
3.3 Accessoires

 En raison de différences régionales, vous devez vous reporter au site Internet ou au catalogue Invacare de votre pays pour connaître les accessoires qui sont disponibles ; vous pouvez également contacter votre fournisseur Invacare.

- Fléau à 2 et 4 points, version flexiscope incluse
- Brancard pour levage horizontal
- Pèse-personne avec fléau
- Support de télécommande
- Chargeur de batterie
- Kit chargeur (chargeur et support de télécommande)
- Sangles et câbles d'extension pour télécommande
- Batterie de secours externe
- Chargeur pour batterie de secours externe
- Modèles de sangles pour « système de suspension de type cintre arrondi avec fléau » :
 - Sangles de soutien intégral du corps – sans soutien de tête
 - Sangles de soutien intégral du corps – avec soutien de tête
 - Sangles pour habillement/toilette – avec ou sans soutien de tête
 - Sangles pour amputé
 - Sangles pour rééducation à la marche

4 Réglages (Mise en service)

4.1 Éléments inclus



- (A) Lève-personne sur rail comprenant deux sangles de levage avec crochets et un cordon d'urgence. Le Robin® Mover inclut également le chariot.
- (B) Télécommande
- (C) Manuel d'utilisation

4.2 Avant utilisation



ATTENTION !

- Le lève-personne sur rail n'est pas conçu pour être utilisé conjointement à de l'ÉQUIPEMENT MÉDICAL ÉLECTRIQUE.

Avant la première utilisation, toutes les fonctions du lève-personne doivent être contrôlées par des techniciens de maintenance agréés.

Procédez à un examen visuel du lève-personne sur rail. Si l'emballage est détérioré à la réception, vérifiez minutieusement les différentes pièces du lève-personne afin de détecter d'éventuels dommages ou défauts visibles. En cas de dommage présumé, le lève-personne sur rail ne doit être utilisé qu'après accord des techniciens de maintenance agréés.

L'arrêt d'urgence est activé pendant la livraison. Réinitialisez l'arrêt d'urgence avant la première utilisation. Reportez-vous à la section 5.9 *Réinitialisation de la fonction d'abaissement ou d'arrêt d'urgence*, page 57.

Il se peut que la batterie du lève-personne soit déchargée en raison de l'auto-décharge. Chargez la batterie du lève-personne avant la première utilisation. Reportez-vous à la section 5.5 *Chargement de la batterie*, page 56.

4.3 Installation du lève-personne sur rail

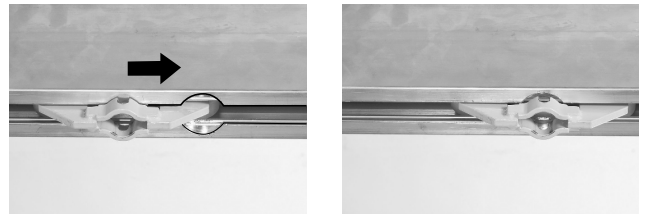
Le lève-personne sur rail doit être installé sur un système de rails pour pouvoir être utilisé. Le système de rails doit être installé et approuvé conformément à la norme EN 10535 par un revendeur ou un technicien de maintenance spécialisé.

Installation du lève-personne Robin™

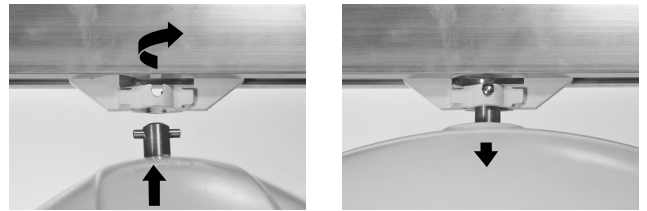
Le lève-personne Robin® exige un chariot qui le maintient dans le système de rails. Le chariot doit être pré-installé par un revendeur ou un technicien de maintenance spécialisé.

Pour monter le lève-personne sur rail sur le chariot, procédez comme suit :

1. Placez le chariot du lève-personne niveau de la cavité ronde de 32 mm de diamètre sur le rail.



2. Soulevez le lève-personne et poussez la broche de suspension à travers l'ouverture du chariot.
3. Faites pivoter le lève-personne de 90 degrés pour le fixer dans le chariot.



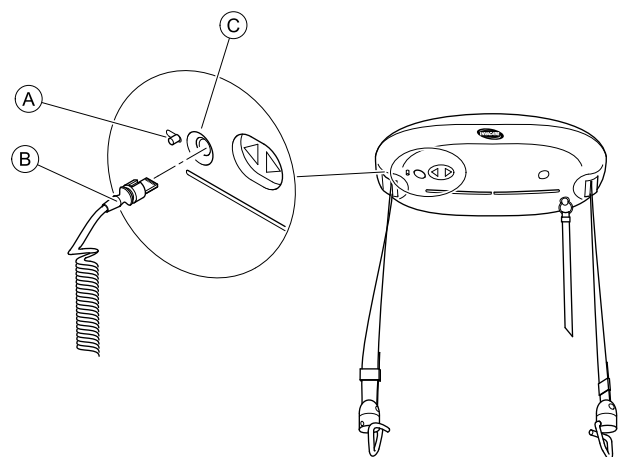
4. Réglez la longueur du cordon d'abaissement/arrêt d'urgence pour qu'il soit à la portée de l'utilisateur.

Installation du lève-personne Robin® Mover

Le Robin® Mover est un lève-personne sur rail déjà équipé d'un chariot. La pré-installation du chariot sur le système de rails n'est par conséquent pas indispensable.

Le lève-personne sur rail doit être installé par un revendeur ou un technicien de maintenance spécialisé.

4.4 Insertion de la fiche de la télécommande



1. Faites glisser le levier de verrouillage (A) et tout en le maintenant, éloignez-le de l'ouverture (C). Le cran de sûreté s'ouvre.
2. Vérifiez que la fiche (B) est correctement orientée, fente vers le haut (voir l'image). Insérez la fiche dans l'ouverture.
3. Relâchez le levier, de façon à ce que le cran se referme et maintienne la fiche dans l'ouverture.

Démontage de la fiche de la télécommande

1. Faites glisser le levier de verrouillage **A** et tout en le maintenant, éloignez-le de l'ouverture **C**.
2. Ressortez la fiche **B** de l'ouverture.
3. Relâchez le levier.

5 Utilisation

5.1 Informations de sécurité générales



AVERTISSEMENT !

Risque de blessure ou de dommage matériel

Avant d'utiliser le lève-personne pour un patient, reportez-vous aux informations et instructions de sécurité suivantes :

- 2 Sécurité, page 49
- 6 Transfert du patient, page 58

5.2 Informations générales sur le fonctionnement



ATTENTION !

Si les sangles de levage ne sont pas correctement guidées dans le lève-personne (si les sangles se tordent, par exemple), le lève-personne sur rail se désactive automatiquement.

- Tenez les sangles de levage bien droites pour qu'elles soient correctement introduites dans le lève-personne. Les sangles de levage sont maintenues droites par le poids des crochets.
- Veillez à ce que les sangles restent librement suspendues lors des opérations de levage/d'abaissement du lève-personne.

Si un utilisateur se coince accidentellement la main dans une sangle lors d'une opération de levage, le lève-personne sur rail se désactive automatiquement. Le lève-personne s'arrête immédiatement lorsqu'une main entre en contact avec l'entrée de la sangle.

- Éloignez vos mains de l'entrée de la sangle lors des opérations de levage.



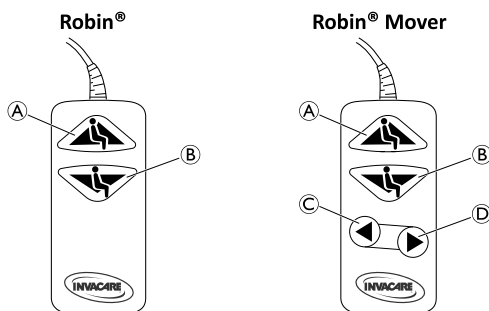
ATTENTION !

La télécommande est protégée contre les projections d'eau (IPX4). Un contact prolongé avec l'eau risque d'endommager la télécommande.

- N'immergez jamais la télécommande dans des liquides, même pour une courte durée.
- Évitez tout contact avec l'eau ou d'autres liquides.

5.3 Utilisation du lève-personne sur rail

Il suffit d'appuyer sur un bouton de la télécommande pour que le lève-personne sur rail se mette en marche.



Montée et descente des sangles



Lorsque le lève-personne sur rail n'est pas chargé, il fonctionne à vitesse élevée. Lorsqu'il est chargé à plus de 10 kg, la vitesse de levage/d'abaissement est automatiquement réduite jusqu'à un niveau de sécurité.

1. Pour élever les sangles, appuyez sur le bouton HAUT **A** de la télécommande.
2. Pour abaisser les sangles, appuyez sur le bouton BAS **B** de la télécommande.



Le lève-personne sur rail peut également être actionné au moyen des boutons HAUT et BAS placés en dessous du lève-personne.

Déplacement du lève-personne Robin® sur le rail

1. Utilisez les deux sangles de levage pour tirer le lève-personne sur rail le long du rail.



NE tirez PAS sur le cordon d'urgence rouge pour déplacer latéralement le lève-personne sur rail.

Déplacement du lève-personne Robin® Mover sur le rail

1. Appliquez l'une des procédures suivantes :

- Le lève-personne est chargé : appuyez sur le bouton GAUCHE **C** ou DROITE **D** de la télécommande pour transférer le lève-personne sur rail le long du rail.
- Le lève-personne n'est pas chargé : utilisez les deux sangles de levage pour tirer le lève-personne sur rail le long du rail.



NE tirez PAS sur le cordon d'urgence rouge pour déplacer latéralement le lève-personne sur rail.

Il n'est pas possible d'activer simultanément les fonctions de transfert et de montée/descente. Lorsque la fonction de transfert est activée, le témoin lumineux bleu situé sur la face inférieure du lève-personne est éteint. Reportez-vous à la section 5.4 *Témoin lumineux et signal sonore*, page 55.

5.4 Témoin lumineux et signal sonore

Lève-personne

État	Témoin lumineux	Signal sonore
Arrêt/Veille	Éteint	Non
Déplacement latéral du lève-personne (Robin® Mover uniquement)		
Lève-personne en cours d'utilisation (Haut/Bas)	Bleu	Non
Batterie faible	Bleu clignotant	Oui


Le témoin lumineux bleu situé sur la face inférieure du lève-personne s'éteint automatiquement au bout de 30 secondes.

Chargeur mural


État	Témoin lumineux	Durée
Batterie non connectée	Jaune	s/o
Initialisation et analyse de la batterie	Jaune	12 à 14 secondes
Charge rapide	Rouge	5 min à 3 heures
Chargé (charge d'entretien)	Vert	s/o
Dysfonctionnement (défaut de la batterie)	Rouge et vert clignotant	s/o

5.5 Chargement de la batterie

Dès que le niveau de charge diminue, un signal sonore est émis et le témoin lumineux clignote dans la partie inférieure du lève-personne sur rail (reportez-vous également à la section 5.4 *Témoin lumineux et signal sonore*, page 55). Dans cette situation, la charge restante est généralement suffisante pour abaisser le patient.

 Il n'est pas possible d'utiliser le lève-personne lorsque la batterie est en charge.

- Terminez l'opération de levage en cours.
Si celle-ci décharge complètement la batterie, une batterie de secours externe peut être utilisée pour alimenter provisoirement le lève-personne. Reportez-vous à la section 5.6 *Utilisation de la batterie de secours externe*, page 56.
- Installez le lève-personne sur rail dans la station de charge.
- Vérifiez que la télécommande et la station de charge sont propres et sèches avant de commencer à recharger la télécommande.
- Placez la télécommande dans la station de charge.
Un témoin lumineux jaune sur le chargeur indique que la télécommande est connectée. Le témoin lumineux s'allume en rouge pendant la charge.
- Lorsque la batterie est complètement chargée, le témoin lumineux du chargeur devient vert.
Tant que le lève-personne sur rail n'est pas utilisé, laissez la télécommande dans la station de charge.
- Pour utiliser le lève-personne sur rail, retirez la télécommande du chargeur.

 Veillez à ce que les batteries soient toujours chargées pour préserver le bon fonctionnement du lève-personne tout en augmentant la durée de vie de la batterie.


Si un signal sonore est émis et si le témoin lumineux bleu clignote sur le lève-personne alors qu'il a été complètement chargé et utilisé sur une courte durée seulement, il se peut que la batterie doive être sollicitée ou remplacée. Reportez-vous à la section 7.5 *Maintenance de la batterie*, page 62.

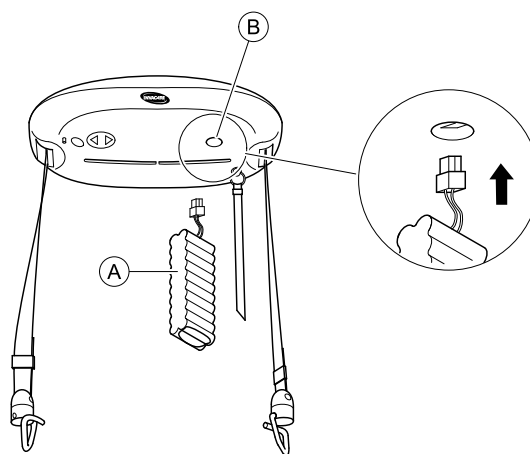
Si le lève-personne sur rail ne doit pas être utilisé pendant une période supérieure à 4 semaines, Invacare recommande de débrancher le chargeur et de tirer l'arrêt d'urgence.

Le chargeur est branché au secteur au moyen d'une fiche secteur. Vérifiez que la fiche secteur est accessible et qu'elle peut être débranchée, au besoin.

5.6 Utilisation de la batterie de secours externe

Si le lève-personne sur rail a besoin d'être immédiatement utilisé alors que sa batterie est déchargée, il est possible de recourir à une batterie de secours externe.

 L'utilisation de la batterie de secours externe doit rester exceptionnelle et être réservée aux situations d'absolue nécessité. La batterie de secours externe est disponible en accessoire.



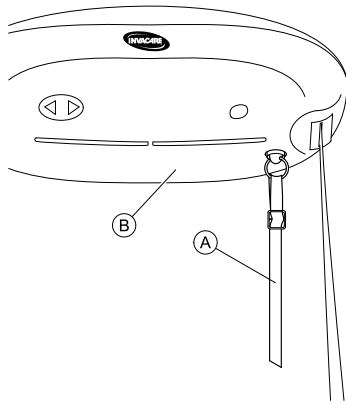
- Insérez la fiche de la batterie de secours externe (A) dans l'ouverture (B) sur la face inférieure du lève-personne. La batterie de secours externe doit pendre librement pendant le transfert du patient.
- Actionnez le lève-personne sur rail comme indiqué dans le chapitre 5.3 *Utilisation du lève-personne sur rail*, page 55.
- Rechargez la batterie de secours externe de façon à ce qu'elle soit complètement chargée pour la prochaine utilisation.

Chargement de la batterie externe :

- Introduisez la fiche dans la prise du chargeur (un adaptateur spécial est nécessaire).
- Le témoin lumineux devient vert lorsque la batterie est complètement chargée (le temps de charge est de 2 heures environ).

5.7 Arrêt d'urgence

La fonction d'arrêt d'urgence permet d'interrompre l'abaissement ou l'élévation du patient si le lève-personne sur rail ne s'arrête pas ou ne réagit pas à la télécommande.



1. Tirez sur le cordon d'urgence rouge (A) qui se trouve en dessous du lève-personne (B) et relâchez-le pour activer l'arrêt d'urgence.

Le lève-personne sur rail arrête immédiatement toute opération d'élévation ou d'abaissement en cours.

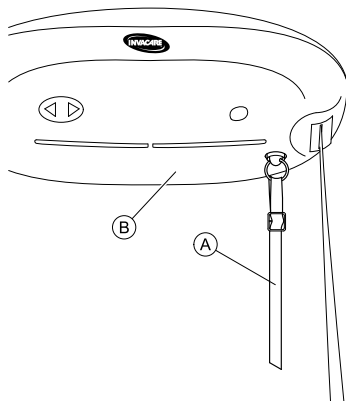
! IMPORTANT !

Lorsque le cordon d'urgence rouge est tiré, les fonctions du lève-personne, y compris la butée de fin de course, sont désactivées. Le témoin lumineux bleu s'éteint.

- Pour réactiver les fonctions du lève-personne, réinitialisez l'arrêt d'urgence. Reportez-vous à la section 5.9 Réinitialisation de la fonction d'abaissement ou d'arrêt d'urgence, page 57.

5.8 Abaissement d'urgence

La fonction d'abaissement d'urgence ne doit être utilisée pour faire redescendre le patient que si le lève-personne a cessé de fonctionner.



1. Tirez sur le cordon d'urgence rouge (A) qui se trouve en dessous du lève-personne (B) pour faire redescendre le patient. Continuez de tirer jusqu'à ce que le patient soit en position de sécurité.
2. Relâchez le cordon d'urgence rouge pour arrêter la descente du patient.

! IMPORTANT !

Lorsque le cordon d'urgence rouge a été tiré, les fonctions du lève-personne sont désactivées et le témoin lumineux bleu s'éteint.

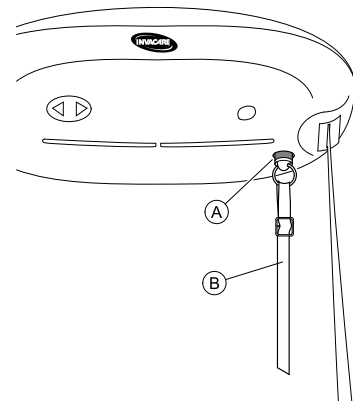
- Cessez de tirer sur le cordon d'urgence rouge dès que le patient est redescendu en position de sécurité.
- Pour réactiver les fonctions du lève-personne, réinitialisez l'arrêt d'urgence. Reportez-vous à la section 5.9 Réinitialisation de la fonction d'abaissement ou d'arrêt d'urgence, page 57.

5.9 Réinitialisation de la fonction d'abaissement ou d'arrêt d'urgence



AVERTISSEMENT !

- Le recours à la fonction d'abaissement ou d'arrêt d'urgence indique un dysfonctionnement du système. Contactez votre revendeur ou un représentant Invacare pour faire contrôler votre appareil avant de le réutiliser.



Lorsque le cordon d'urgence rouge (B) est tiré, le bouton de réinitialisation (A) ressort et un anneau rouge devient visible. Vous devez réinitialiser la fonction d'abaissement ou d'arrêt d'urgence pour recommencer à utiliser le lève-personne.

1. Appuyez sur le bouton de réinitialisation (A) pour réinitialiser la fonction d'abaissement ou d'arrêt d'urgence.
2. Activez la télécommande pour recommencer à utiliser le lève-personne.

6 Transfert du patient

6.1 Informations de sécurité générales



AVERTISSEMENT !

Risque de blessures ou de dommages matériels

Une utilisation inadéquate de ce produit est susceptible d'entraîner des blessures ou des dommages matériels.

- Avant tout transfert sur un emplacement fixe (fauteuil roulant, lit, chaise toilettes ou autre surface), assurez-vous que la capacité du fauteuil roulant est suffisante pour supporter le poids du patient.
- Le cas échéant, les freins de l'emplacement fixe (fauteuil roulant, lit, etc.) doivent être embrayés avant de faire descendre ou de soulever le patient.



AVERTISSEMENT !

Risque de blessures ou de dommages matériels

Tout dommage occasionné aux pièces du lève-personne suite à un impact avec le sol, les murs ou autres emplacements fixes est susceptible d'endommager le produit et d'entraîner des blessures.

- Évitez impérativement tout choc entre les pièces du lève-personne et le sol, les murs et autres emplacements fixes.
- Rangez toujours la télécommande lorsqu'elle n'est pas utilisée.



AVERTISSEMENT !

Risque de blessure

La télécommande et les crochets suspendus peuvent présenter un risque de blessure pour le patient ou l'aide-soignant.

- Tenez toujours compte de la position des crochets et de la télécommande lors du soulèvement du patient.



AVERTISSEMENT !

Risque de coincement et de strangulation

Les objets qui se trouvent à proximité du patient sont susceptibles d'entraîner un coincement ou une strangulation lors des procédures de levage. Pour éviter tout risque de coincement ou de strangulation :

- Avant le levage, assurez-vous que le patient est complètement dégagé des objets qui l'entourent.
- Veillez à ce que le cordon de la télécommande ou les sangles de levage ne s'enroulent pas autour du patient ou de l'aide-soignant.



AVERTISSEMENT !

Risque de coincement

Il existe un risque de coincement entre les crochets et la sangle, ainsi qu'entre les crochets et leur logement.

- Prenez toutes les précautions nécessaires lors des opérations de levage.
- Ne placez jamais vos mains ou vos doigts sur ou à côté des crochets lors des opérations de levage.
- Veillez à ce que les mains et les doigts du patient soient éloignés des crochets lors des opérations de levage.



IMPORTANT !

Toutes les procédures de transfert décrites ci-après peuvent être effectuées par une (1) tierce-personne. Toutefois, dans la mesure du possible, Invacare recommande que ces procédures soient effectuées par deux tierces-personnes.

6.2 Fixation de la sangle



AVERTISSEMENT !

Risque de blessure

L'utilisation de sangles non adaptées ou endommagées peut provoquer la chute du patient ou occasionner des blessures aux tierces-personnes.

- Utilisez une sangle approuvée par Invacare et recommandée par le médecin, l'infirmier ou l'assistant médical afin d'assurer la sécurité et le confort du patient lors de la levée.
- Les sangles et accessoires pour lève-personnes Invacare sont spécialement conçus pour être utilisés en combinaison avec les lève-personnes Invacare.
- Après chaque lavage (conformément aux instructions figurant sur la sangle), assurez-vous que les sangles ne sont pas usées, déchirées ou décousues.
- Toute sangle javellisée, déchirée, coupée, effilochée ou endommagée est dangereuse et risque d'occasionner des blessures. Jetez-la immédiatement.
- NE modifiez PAS les sangles.



AVERTISSEMENT ! Risque de blessure

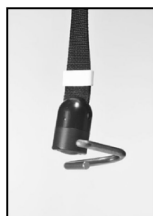
Des sangles mal installées ou mal réglées peuvent provoquer la chute du patient ou occasionner des blessures aux tierces-personnes.

- Vérifiez les attaches de la sangle chaque fois qu'une sangle est retirée et remplacée, afin de vous assurer que celle-ci est correctement fixée avant de déplacer le patient à partir d'un emplacement fixe (lit, chaise ou chaise toilettes).
- N'UTILISEZ AUCUN type de serviette d'incontinence plastifiée ni coussin d'assise entre le patient et les sangles afin d'éviter que le patient ne glisse de la sangle lors du transfert.
- Positionnez le patient dans la sangle conformément aux instructions fournies avec cette dernière.
- Les réglages de sécurité et de confort du patient doivent être effectués avant le déplacement de ce dernier.

Cette section fournit uniquement des informations d'ordre général. Pour des instructions plus détaillées sur les sangles, consultez le manuel d'utilisation de la sangle.

Une sangle munie de quatre à six sangles conçues pour être fixées à des crochets doit être utilisée avec le lève-personne sur rail.

Les boucles de la sangle peuvent porter un code couleur fournissant des longueurs différentes et permettant de placer le patient dans différentes positions. Faites correspondre les couleurs de chaque côté de la sangle pour un soulèvement uniforme du patient.



Les courroies de la sangle doivent être accrochées par paires (une au niveau du dos et l'autre au niveau de la jambe) sur leur propre crochet de suspension.



Lors de la fixation de la sangle aux crochets, les courroies pivotent et s'étirent lors de leur torsion, assurant ainsi un fonctionnement optimal.

6.3 Informations relatives au levage



AVERTISSEMENT !

Le lève-personne doit exclusivement être utilisé par un personnel formé à l'utilisation de systèmes de levage et à l'installation de sangles.

- Planifiez le transfert. Évitez de laisser l'utilisateur sans surveillance dans la sangle.
- Le lève-personne sur rail s'élève très rapidement. Avant le levage, assurez-vous que l'utilisateur est complètement dégagé des objets qui l'entourent.
- Veillez à ce qu'il n'existe aucun risque de coincement des membres pour le patient.
- Vérifiez que le cordon d'urgence rouge, la télécommande et son câble ne sont pas accrochés aux sangles de levage, à l'utilisateur ni à aucun autre objet avant d'activer le lève-personne sur rail et de l'élever ou de l'abaisser.
- Lorsque le lève-personne sur rail est utilisé correctement, l'utilisateur doit uniquement être élevé de façon à ne plus toucher la surface et être déplacé à cette hauteur.

6.4 Levage à partir d'une position assise



Procédez comme suit pour soulever un patient à partir d'une position assise (fauteuil roulant, chaise toilettes, etc.).

1. Déplacez latéralement le lève-personne sur rail le long du rail en direction du patient à soulever.
2. Positionnez les crochets de suspension à la hauteur de la poitrine du patient sans aller au-delà de la mi-cuisse.
3. Positionnez les crochets de suspension de façon à ce qu'ils soient parallèles aux épaules du patient.
4. Positionnez le patient dans la sangle. Reportez-vous au manuel d'utilisation de la sangle.
5. Fixez la sangle aux crochets de suspension. Reportez-vous à la section 6.2 *Fixation de la sangle*, page 58.

6.5 Levage à partir d'une position couchée



Procédez comme suit pour soulever un patient à partir d'une position couchée.

1. Déplacez latéralement le lève-personne sur rail le long du rail en direction du patient à soulever.
2. Positionnez les crochets de suspension au-dessus du patient.
3. Alignez les crochets de suspension sur les épaules du patient.
4. Positionnez le patient dans la sangle. Reportez-vous au manuel d'utilisation de la sangle.
5. Élevez la tête du lit, pour que l'utilisateur soit en position assise.
6. Fixez la sangle aux crochets de suspension. Reportez-vous à la section 6.2 *Fixation de la sangle*, page 58.

7 Maintenance

7.1 Informations de maintenance générales



ATTENTION !

Risque de blessure ou de dommage matériel

- Vous ne devez effectuer aucune procédure de maintenance ou d'entretien tant que le produit est en cours d'utilisation.

Suivez les procédures de maintenance décrites dans le présent manuel pour préserver le bon fonctionnement du produit.

D'autres procédures de maintenance et d'inspection, qui doivent être effectuées par un technicien qualifié, sont décrites dans le manuel de maintenance du produit. Les manuels de maintenance peuvent être obtenus auprès d'Invacare.

7.2 Vérifications quotidiennes



AVERTISSEMENT !

Risque de blessures ou de dommages matériels

Des éléments endommagés ou usés peuvent affecter la sécurité du lève-personne.

- Le lève-personne doit être vérifié à chaque utilisation.
- N'utilisez pas le lève-personne si vous constatez qu'une partie est endommagée ou si vous doutez de la sécurité d'une pièce. Contactez votre fournisseur Invacare immédiatement et veillez à ce que le lève-personne ne soit pas utilisé jusqu'à sa réparation.

Liste des vérifications quotidiennes

- Procédez à un examen visuel des sangles, du fléau (facultatif), des sangles de levage et des crochets des boucles de suspension. Assurez-vous que les pièces ne sont pas abîmées ou usées.
- Vérifiez les fonctions d'arrêt d'urgence et d'abaissement d'urgence. Assurez-vous que les pièces ne sont pas abîmées ou usées.
- Assurez-vous que les matériels et points de fixation ne sont ni abîmés, ni usés. Assurez-vous que les pièces ne sont pas abîmées ou usées.
- Vérifiez que la télécommande fonctionne.
- Vérifiez le chargeur de batterie.
- Chargez la batterie chaque jour où le lève-personne est utilisé.

7.3 Nettoyage et désinfection

7.3.1 Informations de sécurité générales



ATTENTION !

Risque de contamination

- Prenez toutes les précautions nécessaires pour vous protéger et portez un équipement de protection adéquat.



ATTENTION !

Risque de décharge électrique et de détérioration du produit

- Éteignez l'appareil et débranchez-le du secteur, le cas échéant.
- Lors du nettoyage de composants électroniques, tenez compte de leur classe de protection concernant la pénétration d'eau.
- Assurez-vous qu'il n'y ait pas d'éclaboussures d'eau sur la fiche ou la prise murale.
- Ne touchez pas la prise électrique avec les mains mouillées.



IMPORTANT !

Des méthodes ou des liquides inappropriés risqueraient de blesser quelqu'un ou d'endommager le produit.

- Tous les désinfectants et agents de nettoyage utilisés doivent être efficaces, compatibles entre eux et protéger les surfaces qu'ils sont censés nettoyer.
- N'utilisez jamais d'agents de nettoyage corrosifs (alcalins, acides, etc.) ou abrasifs. Nous recommandons d'utiliser un agent de nettoyage ménager ordinaire, comme du liquide vaisselle, sauf indication contraire dans les instructions de nettoyage.
- N'utilisez jamais de solvant (diluant cellulosique, acétone, etc.) qui modifie la structure du plastique ou dissout les étiquettes apposées.
- Procédez à un séchage complet du produit avant toute nouvelle utilisation.



Pour le nettoyage et la désinfection en environnement clinique ou de soins à long terme, suivez les procédures internes.

7.3.2 Fréquence de nettoyage



IMPORTANT !

Une désinfection et un nettoyage régulier garantissent un bon fonctionnement, augmentent la durée de vie et permettent d'éviter toute contamination.

Nettoyez et désinfectez le produit

- régulièrement lors de son utilisation,
- avant et après toute procédure d'entretien,
- lorsqu'il a été en contact avec des fluides corporels, quels qu'ils soient,
- avant de l'utiliser pour un nouvel utilisateur.

7.3.3 Consignes de nettoyage



IMPORTANT !

- Le produit ne doit pas être nettoyé dans des installations de lavage automatique, équipées de systèmes de nettoyage à haute pression ou à la vapeur.

Nettoyage du lève-personne

Méthode : essuyez à l'aide un chiffon humide ou d'une brosse souple.

Température maximale : 40 °C


Solvant/produit chimique : agent de nettoyage ordinaire à usage ménager et eau.

Séchage : essuyez avec un chiffon doux.

Nettoyage de la sangle

Reportez-vous aux instructions de lavage figurant sur la sangle et dans le manuel qui l'accompagne pour plus de précisions sur le nettoyage.

7.3.4 Instructions de désinfection

 Des informations complémentaires sur les méthodes et les désinfectants recommandés peuvent être consultées à l'adresse <https://vah-online.de/en/for-users>.

Dans les soins à domicile

Méthode : suivez les consignes d'application du désinfectant utilisé et essuyez toutes les surfaces accessibles pour les désinfecter.

Désinfectant : désinfectant ordinaire à usage domestique.

Séchage : laissez sécher le produit à l'air.

Dans les soins cliniques et à long terme

Suivez vos procédures de désinfection internes et utilisez uniquement les désinfectants et méthodes préconisés.

7.4 Intervalle entre les révisions



AVERTISSEMENT !

Risque de blessures ou de dommages matériels

Les révisions doivent uniquement être effectuées par un technicien qualifié.

– Contactez votre fournisseur Invacare pour effectuer un entretien.

L'entretien doit être effectué au moins tous les 12 mois, sauf obligations locales différentes.

Afin d'éviter toute détérioration du produit, la fréquence d'inspection doit être augmentée si le produit est continuellement exposé à une humidité élevée, à une forte condensation et à des produits corrosifs (gaz de chlore ou d'ammoniac, par exemple).

7.4.1 LOLER Statement

The UK Health and Safety Executive's Lifting Operations and Lifting Equipment Regulations 1998, require any equipment that is used in the workplace to lift a load be subject to safety inspection on a six monthly basis. Please refer to the HSE web site for guidance www.hse.gov.uk.

The person responsible for the equipment must ensure adherence to LOLER regulations.

7.5 Maintenance de la batterie

Si un signal sonore est émis et si le témoin lumineux bleu clignote sur le lève-personne alors qu'il a été complètement chargé et utilisé sur une courte durée seulement, il se peut que la batterie ait besoin d'être sollicitée.

Pour que la batterie puisse être complètement chargée, il convient de la solliciter régulièrement.

C'est également nécessaire suite à une période de stockage prolongée.

Il est également conseillé de solliciter la batterie en cas d'utilisations peu fréquentes du lève-personne, et/ou si la télécommande reste dans le chargeur pendant des périodes prolongées. Dans cette situation, la charge restante est suffisante pour effectuer quelques levages, mais il est recommandé de solliciter la batterie dès que possible par la suite.

Pour ce faire, il suffit de charger et de décharger complètement le lève-personne à plusieurs reprises.

1. Chargez la batterie jusqu'à ce que le témoin devienne vert.
2. Retirez la télécommande du chargeur.
3. Levez puis abaissez les sangles avec une charge pendant une minute.
4. Attendez dix minutes.
5. Répétez les étapes 3 et 4 jusqu'à ce que la batterie soit complètement déchargée.



Continuez la procédure après l'émission du signal sonore et le clignotement du témoin bleu, qui indiquent que la batterie est déchargée.

6. Répétez les étapes 1 à 5 de deux à trois fois.

8 Après l'utilisation

8.1 Transport et stockage

Invacare recommande de toujours transporter et stocker le lève-personne sur rail dans son emballage d'origine. Placez le lève-personne sur rail sur une surface moelleuse, comme un chiffon ou un tapis en mousse.

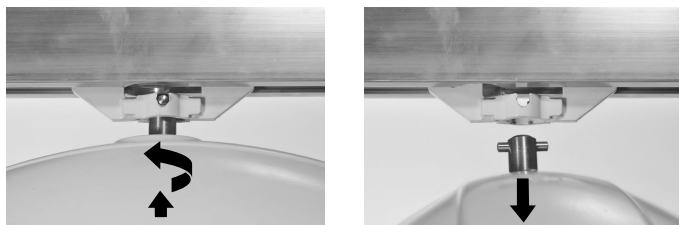
Pour un stockage à long terme, l'arrêt d'urgence doit être activé. Ceci permet de réduire le déchargement de la batterie. Reportez-vous à la section 5.7 *Arrêt d'urgence*, page 57.

Pour plus d'informations sur les conditions de stockage du lève-personne sur rail, reportez-vous à la section 10.3 *Conditions ambiantes*, page 66.

8.2 Démontage du lève-personne sur rail

Il est possible de démonter le lève-personne sur rail en vue de son transport ou de son rangement.

Robin®



1. Soulevez légèrement le lève-personne et appuyez sur la broche de suspension pour la faire sortir de son support dans le chariot.
2. Faites pivoter le lève-personne de 90 degrés et retirez-le du chariot.

Robin® Mover

Contactez votre représentant ou revendeur spécialisé Invacare pour faire démonter le lève-personne sur rail par un technicien de maintenance spécialisé.

8.3 Mise au rebut



AVERTISSEMENT !

Risque pour l'environnement

L'appareil contient des batteries. Ce produit peut contenir des substances nuisibles à l'environnement s'il est jeté dans un endroit (décharge) non conforme à la législation en vigueur.

- NE JETEZ PAS les batteries avec les déchets ménagers.
- Les batteries DOIVENT être portées dans un site prévu à cet effet. Le retour est obligatoire et gratuit.
- Seules des batteries déchargées doivent être mises au rebut.
- Couvrez les bornes des batteries au lithium avant leur mise au rebut.
- Pour plus d'informations sur le type de batterie, reportez-vous à l'étiquette de la batterie ou au chapitre 10 *Caractéristiques Techniques*, page 66.

Préservez l'environnement en faisant recycler ce produit en fin de vie dans un centre de recyclage.

Désassemblez le produit et ses composants afin que les différents matériaux puissent être séparés et recyclés individuellement.

La mise au rebut et le recyclage des produits usagés et de l'emballage doivent respecter la législation et les règlements relatifs à la gestion des déchets de chaque pays. Contactez votre organisme local de traitement des déchets pour plus d'informations.

8.4 Reconditionnement

Ce produit peut être réutilisé. Pour reconditionner le produit en vue de son utilisation par un nouvel utilisateur, il convient d'effectuer les opérations suivantes :

- Examen
- Nettoyage et désinfection

Pour plus d'informations, reportez-vous à la section 7 *Maintenance*, page 61 et au manuel de maintenance de ce produit.

Assurez-vous de remettre le manuel d'utilisation avec le produit.


Si un dommage ou un dysfonctionnement est détecté, le produit ne doit pas être réutilisé.

9 Dépannage

9.1 Tableau de dépannage

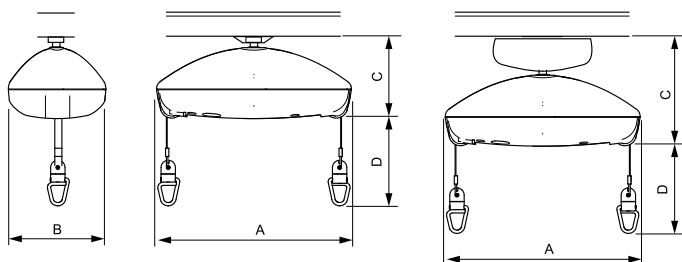
SYMPTÔMES	PROBLÈME	SOLUTION
Le lève-personne sur rail ne réagit pas aux boutons de la télécommande et les boutons haut/bas du lève-personne ne répondent pas.	L'arrêt d'urgence est activé.	Vérifiez que l'arrêt d'urgence n'est pas activé. Reportez-vous à la section 5.9 Réinitialisation de la fonction d'abaissement ou d'arrêt d'urgence, page 57.
	Le système n'est pas alimenté ou la batterie est déchargée.	Chargez la batterie ou utilisez une batterie d'urgence. Reportez-vous à la section 5.5 Chargement de la batterie, page 56.
	Le fusible a sauté.	Le fusible doit être remplacé. Contactez un représentant ou un revendeur spécialisé Invacare pour effectuer un entretien.
Le lève-personne sur rail ne réagit pas aux boutons de la télécommande, mais les boutons haut/bas du lève-personne répondent.	La télécommande n'est pas correctement connectée.	Contrôlez de la fiche de la télécommande. Reportez-vous à la section 4.4 Insertion de la fiche de la télécommande, page 53.
	La télécommande est défectueuse.	Remplacez la télécommande.
Les sangles de levage descendent mais ne montent pas.	La batterie est presque déchargée.	Chargez la batterie ou utilisez une batterie d'urgence. Reportez-vous à la section 5.5 Chargement de la batterie, page 56.
	La charge est trop élevée.	Réduisez la charge. Le lève-personne est équipé d'un système de sécurité contre les surintensités.
Les sangles de levage montent mais ne descendent pas.	La télécommande est défectueuse.	Remplacez la télécommande.
	La fonction de sangle desserrée s'est activée.	Contactez un représentant ou un revendeur spécialisé Invacare pour effectuer un entretien.
La vitesse du lève-personne sur rail reste identique avec et sans charge.	La fonction de mouvement rapide sans charge reste activée en permanence.	Contactez un représentant ou un revendeur spécialisé Invacare pour effectuer un entretien.
Les sangles de levage sont tordues et ne se redressent pas.	Les sangles de levage ne tournent pas assez librement.	Nettoyez ou remplacez les crochets. Contactez un représentant ou un revendeur spécialisé Invacare pour effectuer un entretien.
	Les sangles sont effilochées.	Contactez un représentant ou un revendeur spécialisé Invacare pour faire remplacer les sangles.
Le lève-personne sur rail ne se déplace pas latéralement sur les rails.	Une réparation ou un nettoyage des rails est nécessaire.	Contactez un représentant ou un revendeur spécialisé Invacare pour effectuer un entretien.
	Le chariot est usé ou endommagé (Robin® seulement).	Le chariot doit être remplacé. Contactez un représentant ou un revendeur spécialisé Invacare pour effectuer un entretien.
	Les roues motrices sont usées ou endommagées (Robin® Mover seulement).	Les roues motrices doivent être réglées. Contactez un représentant ou un revendeur spécialisé Invacare pour effectuer un entretien.
	La télécommande est défectueuse (Robin® Mover uniquement).	Remplacez la télécommande.
Le lève-personne sur rail émet un bruit excessif lorsqu'il est activé.	Les roulements, les engrenages ou le moteur sont défectueux.	Le lève-personne doit être remplacé. Contactez un représentant ou un revendeur spécialisé Invacare pour effectuer un entretien.

SYMPTÔMES	PROBLÈME	SOLUTION
Le lève-personne ne se charge pas.	Le système n'est pas alimenté.	Vérifiez que le bloc d'alimentation est allumé et connecté à la station de charge. Contactez un représentant ou un revendeur spécialisé Invacare pour effectuer un entretien.
Absence de témoin lumineux sur le lève-personne.	Le système n'est pas alimenté ou la batterie est déchargée.	Vérifiez que le lève-personne sur rail est alimenté et que la batterie est rechargée. Placez la télécommande dans la station de charge et rechargez le lève-personne sur rail.
Le cordon d'urgence ne permet pas d'arrêter le lève-personne sur rail.	Le lève-personne sur rail doit être révisé.	Contactez un représentant ou un revendeur spécialisé Invacare pour effectuer un entretien.
Le cordon d'urgence ne permet pas d'abaisser le lève-personne sur rail.	Le lève-personne sur rail doit être révisé.	Contactez un représentant ou un revendeur spécialisé Invacare pour effectuer un entretien.

 Si les problèmes persistent après application des solutions suggérées, veuillez contacter un représentant ou un revendeur spécialisé Invacare pour effectuer un entretien.

10 Caractéristiques Techniques

10.1 Dimensions et poids




Dimensions

	Robin®	Robin® Mover
Longueur du lève-personne (A)	470 mm	470 mm
Largeur du lève-personne (B)	250 mm	250 mm
Hauteur du lève-personne (C)	203 mm	266 mm
Plage de levage maximum (D)	2,5 m	2,5 m

Poids

	Robin®	Robin® Mover
Capacité de levage maximum (charge maximale d'utilisation)	200 kg	200 kg
Poids total sans la sangle	7,3 kg	10 kg

10.2 Système électrique

	Robin®	Robin® Mover
Courant d'entrée maximum	0,9 A	
Classe de protection ¹	Appareil complet : IPx4 (lève-personne sur rail : IP24 ; télécommande : IP44)	
Classe d'isolation	Équipement de classe II	
	Pièce appliquée de type B Pièce appliquée conforme aux exigences spécifiées pour la protection contre les décharges électriques selon la norme IEC 60601-1.	
Niveau sonore	de 50 à 55 dB (A).	
Nombre de levages par charge	65 levages de 0,5 m avec une charge 80 kg	
Intermittent (fonctionnement périodique des moteurs)	10 %, 2 min/18 min max.	

	Robin®	Robin® Mover
Batterie	Batterie NiMH 24 V / 1,9 Ah	
Durée de charge	Jusqu'à 3 heures à 20 °C	
Vitesse de levage avec une charge de 200 kg	2,1 cm/s	2,1 cm/s
Vitesse de déplacement latéral dans les rails	s/o	14 cm/s

Chargeur

Tension de sortie	En cours de recharge : 25 – 36 V cc En dehors des périodes de recharge : 41 V cc
Tension d'alimentation	100 – 240 V CA, 50 – 60 Hz
Classe de protection ¹	IP41 ou IP67 (selon la version)

¹ Consultez l'étiquette apposée sur le produit et sur chaque appareil électrique pour connaître la classe de protection correcte. La classification IP la plus basse détermine la classification générale de l'appareil.

- IPx4 : protection contre les projections d'eau, quelle que soit la direction.
- IP24 : protection contre les objets de taille supérieure à 12,5 mm et contre les projections d'eau, quelle que soit la direction.
- IP44 : protection contre les objets de taille supérieure à 1 mm et contre les projections d'eau, quelle que soit la direction.
- IP41 : protection contre les objets de taille supérieure à 1 mm et contre les chutes d'eau en position verticale.
- IP67 : protection contre la poussière et contre l'infiltration d'eau en cas d'immersion temporaire.

10.3 Conditions ambiantes

	Stockage et transport	Utilisation
Température	de -30 °C à +50 °C	de +5 °C à +40 °C
Humidité relative	de 10 % à 70 %	de 20 % à 90 % à 30 °C, sans condensation
Pression atmosphérique	de 700 à 1 060 hPa	



Laissez le produit atteindre la température d'utilisation avant de l'utiliser :

- Le réchauffement à partir de la température de stockage minimale peut prendre jusqu'à 24 heures.
- Le refroidissement à partir de la température de stockage maximale peut prendre jusqu'à 24 heures.

11 Compatibilité électromagnétique (CEM)

11.1 Informations relatives aux interférences électromagnétiques

L'équipement médical électrique doit être installé et utilisé conformément aux informations relatives aux interférences magnétiques présentes dans ce manuel.

Ce produit a été testé et est certifié conforme aux limites CEM spécifiées dans la norme CEI/EN 60601-1-2 pour les équipements de classe B.

Les appareils de communication RF portables et mobiles peuvent interférer avec le fonctionnement de ce produit.

D'autres appareils peuvent recevoir des interférences même des plus bas niveaux des émissions électromagnétiques autorisées par la norme ci-dessus. Pour déterminer si l'émission de ce produit est à l'origine d'une interférence, mettez ce produit sous puis hors tension. Si l'interférence avec le fonctionnement des autres appareils disparaît, cela signifie que ce produit provoque l'interférence. Dans ces cas rares, l'interférence peut être réduite ou corrigée de l'une des façons suivantes :

- Repositionnez le dispositif, changez-le de place ou augmentez la distance de séparation entre les appareils.

11.2 Émissions électromagnétiques

Directives et déclaration du fabricant

Ce produit est destiné à être utilisé dans l'environnement électromagnétique décrit ci-dessous. L'utilisateur ou l'acheteur de ce produit doivent s'assurer que le lit est bien utilisé dans un tel environnement.


Test relatif aux émissions	Conformité	Directives relatives à l'environnement électromagnétique
Émissions RF CISPR 11	Groupe I	Ce produit utilise l'énergie RF uniquement pour son fonctionnement interne. Il émet donc des ondes RF très faibles et il est peu probable qu'elles interfèrent avec l'équipement électronique à proximité.
Émissions RF CISPR 11	Classe B	Ce produit peut être utilisé dans tous les établissements, y compris les habitations et les établissements directement connectés au réseau d'alimentation public basse tension qui alimente les bâtiments destinés à accueillir des habitations.
Émissions de courant harmonique CEI 61000-3-2	Classe A	
Fluctuations de tension/émissions de scintillement CEI 61000-3-3	Conforme	


11.3 Immunité électromagnétique

Directives et déclaration du fabricant

Ce produit est destiné à être utilisé dans l'environnement électromagnétique décrit ci-dessous. L'utilisateur ou l'acheteur de ce produit doivent s'assurer que le lit est bien utilisé dans un tel environnement.

Test d'immunité	Test/Niveau de conformité	Directives relatives à l'environnement électromagnétique
Décharges électrostatiques CEI 61000-4-2	± 8 kV par contact ± 2 kV, ± 4 kV, ± 8 kV, ± 15 kV dans l'air	Le revêtement de sol doit être du bois, du béton ou des carreaux de céramique. Si le sol est recouvert d'un matériau synthétique, l'humidité relative doit être d'au moins 30 %.
Transitoires électriques rapides en salves CEI 61000-4-4	± 2 kV pour les lignes d'alimentation électriques ; 100 kHz en fréquence de répétition ± 1 kV pour les lignes d'entrée et de sortie ; 100 kHz en fréquence de répétition	La qualité du réseau électrique doit être la même que celle du réseau électrique d'un hôpital ou d'un établissement commercial.

Test d'immunité	Test/Niveau de conformité	Directives relatives à l'environnement électromagnétique
Ondes de choc CEI 61000-4-5	± 1 kV de ligne à ligne ± 2 kV de la ligne à la terre	La qualité du réseau électrique doit être la même que celle du réseau électrique d'un hôpital ou d'un établissement commercial.
Creux de tension, coupures brèves et variations de tension sur les lignes d'alimentation électrique CEI 61000-4-11	< 0 % U_T pour 0,5 cycle par incréments de 45° 0 % U_T pour 1 cycle 70 % U_T pour 25/30 cycles < 5 % U_T pour 250/300 cycles	La qualité du réseau électrique doit être la même que celle du réseau électrique d'un hôpital ou d'un établissement commercial. S'il est nécessaire que ce produit continue à fonctionner pendant une coupure de courant, il est recommandé de le brancher sur un système d'alimentation sans coupure ou sur une batterie. U_T représente la tension d'alimentation secteur avant l'application du niveau de test.
Champ magnétique à la fréquence du réseau (50/60 Hz) CEI 61000-4-8	30 A/m	Les champs magnétiques de fréquence industrielle doivent avoir les mêmes caractéristiques que ceux présents dans un hôpital ou un établissement commercial.
Perturbations conduites, induites par les champs radioélectriques CEI 61000-4-6	3 V 150 kHz à 80 Mhz 6 V en bandes ISM et radioamateur	Il n'est pas possible de prévoir avec précision l'intensité de champ des émetteurs fixes des stations de base des téléphones sans fil/cellulaires ou radios mobiles terrestres, des radios amateurs, et des télédiffusions ou radiodiffusions AM et FM. Afin d'évaluer l'environnement électromagnétique résultant des appareils émetteurs RF fixes, il est nécessaire d'effectuer une étude sur site. Si l'intensité de champ mesurée à l'endroit où le produit est utilisé est supérieure au niveau de conformité applicable aux émissions RF ci-dessus, il sera nécessaire d'observer si ce produit fonctionne normalement. En cas de fonctionnement anormal, il conviendra de prendre d'autres mesures, par exemple déplacer ou réorienter ce produit. Des interférences peuvent se produire à proximité des appareils comportant le symbole suivant : 
Champs électromagnétiques rayonnés aux fréquences radioélectriques CEI 61000-4-3	10 V/m 80 Mhz à 2,7 GHz 385 MHz - 5 785 MHz spécifications des tests d'immunité aux équipements de communication RF sans fil, reportez-vous au tableau 9 de la norme CEI 60601-1-2:2014	Les équipements de communication RF portables et mobiles doivent être utilisés à une distance minimale de 30 cm de toute partie de ce produit, y compris les câbles.


 Ces consignes peuvent ne pas s'appliquer dans certaines situations. La propagation électromagnétique varie selon les propriétés d'absorption et de réflexion des structures, des objets et des personnes.

11.4 Spécifications d'essai pour l'immunité à l'équipement de communication sans fil RF

IEC 60601-1-2:2014 — Tableau 9

Fréquence d'essai (MHz)	Bande ^{a)} (MHz)	Service ^{a)}	Modulation ^{b)}	Puissance maximale (W)	Distance (m)	Niveau de test d'immunité (V/m)
385	380 - 390	TÉTRA 400	Modulation d'impulsion ^{b)} 18 Hz	1,8	0,3	27
450	430 - 470	GMRS 460, FRS 460	FM ^{c)} écart de ± 5 kHz 1 kHz sinusoïdal	2	0,3	28

Fréquence d'essai (MHz)	Bande ^{a)} (MHz)	Service ^{a)}	Modulation ^{b)}	Puissance maximale (W)	Distance (m)	Niveau de test d'immunité (V/m)
710 745 788	704 - 787	Bande LTE 13, 17	Modulation d'impulsion ^{b)} 217 Hz	0,2	0,3	9
810 870 930	800 - 960	GSM 800/900, TETRA 800, iDEN 820, CDMA 850, bande LTE 5	Modulation d'impulsion ^{b)} 18 Hz	2	0,3	28
1720 1845 1970	1700 - 1990	GSM 1800 ; CDMA 1900 ; GSM 1900 ; DECT ; bande LTE 1, 3, 4, 25 ; UMTS	Modulation d'impulsion ^{b)} 217 Hz	2	0,3	28
2450	2400 - 2570	Bluetooth, WLAN, 802.11 b/g/n, RFID 2450, bande LTE 7	Modulation d'impulsion ^{b)} 217 Hz	2	0,3	28
5240 5500 5785	5100 - 5800	WLAN 802.11 a/n	Modulation d'impulsion ^{b)} 217 Hz	0,2	0,3	9

 Si nécessaire pour atteindre le niveau d'essai d'immunité, la distance entre l'antenne de transmission et l'équipement ou le système électrique médical peut être réduite à 1 m. La distance d'essai de 1 m est autorisée dans la norme IEC 61000-4-3.

a) Pour certains services, seules les fréquences ascendantes sont incluses.

b) Le signal porteur doit être modulé à l'aide d'un signal d'onde carré avec cycle de service de 50 %.

c) Si la modulation FM n'est pas utilisée, il est possible d'utiliser la modulation d'impulsion de 50 % à 18 Hz car bien qu'elle ne représente pas la modulation réelle, ce serait le pire des cas.

Inhoudsopgave

Deze handleiding dient te worden overhandigd aan de gebruiker van het product. Lees deze handleiding VÓÓR u het product gebruikt en bewaar hem voor eventuele raadplegingen in de toekomst.

1 Algemeen	72
1.1 Inleiding	72
1.2 Symbolen in deze handleiding	72
1.3 Levensduur	72
1.4 Aansprakelijkheidsbeperking	72
1.5 Garantie-informatie	72
1.6 Naleving	72
1.6.1 Productspecifieke normen	72
2 Veiligheid	73
2.1 Algemene veiligheidsinformatie	73
2.2 Veiligheidsinformatie over accessoires	74
2.3 Veiligheidsinformatie over elektromagnetische interferentie	74
2.4 Typeplaatjes en symbolen op het product	74
2.4.1 Locatie van de labels	74
2.4.2 Typeplaatje	75
2.4.3 Overige labels en symbolen	75
3 Productoverzicht	76
3.1 Beoogd gebruik	76
3.2 Belangrijkste onderdelen van de plafondlift	76
3.3 Accessoires	76
4 Montage	77
4.1 Geleverde onderdelen	77
4.2 Vóór gebruik	77
4.3 De plafondlift installeren	77
4.4 De stekker van de handbediening aansluiten	77
5 Gebruik	78
5.1 Algemene veiligheidsinformatie	78
5.2 Algemene bedieningsinformatie	78
5.3 De plafondlift bedienen	78
5.4 Indicatorlampje en geluidssignaal	78
5.5 De accu laden	79
5.6 De externe reserve-accu gebruiken	79
5.7 Noodstop	79
5.8 Noodverlaging	80
5.9 De noodstop of verlagingfunctie opnieuw instellen	80
6 Verplaatsen van een patiënt	81
6.1 Algemene veiligheidsinformatie	81
6.2 De draagband bevestigen	81
6.3 Tiltinformatie	82
6.4 Tillen naar en vanaf een zittende positie	82
6.5 Tillen naar en vanaf een liggende positie	82
7 Onderhoud	83
7.1 Algemene informatie over onderhoud	83
7.2 Dagelijkse controles	83
7.3 Reiniging en desinfectie	83
7.3.1 Algemene veiligheidsinformatie	83
7.3.2 Reinigingsintervallen	83
7.3.3 Reinigingsinstructies	83
7.3.4 Instructies voor desinfecteren	84
7.4 Periodiek onderhoud	84
7.4.1 LOLER Statement	84
7.5 Onderhoud accu	84
8 Na gebruik	85
8.1 Transport en opslag	85
8.2 De plafondlift demonteren	85
8.3 Afvoeren	85
8.4 Geschikt maken voor hergebruik	85
9 Problemen oplossen	86
9.1 Tabel voor het oplossen van problemen	86
10 Technische Specificaties	88
10.1 Afmetingen en gewicht	88
10.2 Elektrisch systeem	88

10.3 Voorwaarden voor de gebruiksomgeving	88
11 Elektromagnetische compatibiliteit (EMC)	89
11.1 Algemene informatie over EMC	89
11.2 Elektromagnetische straling	89
11.3 Elektromagnetische immuniteit	89
11.4 Testspecificaties met betrekking tot immuniteit voor draadloze RF-communicatieapparatuur	90

1 Algemeen

1.1 Inleiding

Deze gebruikershandleiding bevat belangrijke informatie over het gebruik van dit product. Lees de gebruikershandleiding aandachtig door en volg de veiligheidsinstructies, zodat u zeker weet dat u het product veilig gebruikt.

Omdat dit document betrekking heeft op alle beschikbare modellen (op de datum waarop dit document is gedrukt), zijn mogelijk niet alle delen relevant voor uw product. Indien niet expliciet anders wordt vermeld, verwijst elk hoofdstuk in dit document naar alle modellen van het product.

De modellen en uitvoeringen die in uw land beschikbaar zijn, zijn te vinden in de verkoopdocumenten van het desbetreffende land.

Invacare behoudt zich het recht voor om productspecificaties zonder voorafgaande kennisgeving te wijzigen.

Controleer voordat u dit document leest of u de juiste versie hebt. U vindt een pdf-bestand met de laatste versie op de Invacare-website.

Als u de lettergrootte in de gedrukte versie van het document moeilijk kunt lezen, kunt u een pdf-versie downloaden van de website. In de pdf-versie kunt u de letters op het scherm aanpassen tot een grootte die u prettiger vindt.

Neem voor meer informatie over het product, bijvoorbeeld meldingen over productveiligheid en teruggeroepen producten, contact op met uw Invacare-vertegenwoordiger. Zie de adressen aan het einde van dit document.

In geval zich een ernstig incident met het product voordoet, dient u de fabrikant en de bevoegde instantie in uw land daarvan op de hoogte te brengen.

1.2 Symbolen in deze handleiding

In deze handleiding worden waarschuwingen aangeduid met symbolen. De waarschuwingssymbolen worden vergezeld van een kop die de ernst van het gevaar aangeeft.



WAARSCHUWING

Duidt op een gevaarlijke situatie die kan leiden tot ernstig letsel of overlijden als de situatie niet wordt vermeden.



VOORZICHTIG

Duidt op een gevaarlijke situatie die kan leiden tot licht of klein letsel als de situatie niet wordt vermeden.



BELANGRIJK

Duidt op een gevaarlijke situatie die kan leiden tot materiële schade als de situatie niet wordt vermeden.



Tips en adviezen

Hier worden nuttige tips, adviezen en informatie voor efficiënt, probleemloos gebruik gegeven.

1.3 Levensduur

De verwachte levensduur van dit product is tien jaar bij dagelijks gebruik en in overeenstemming met de veiligheidsinstructies, onderhoudstermijnen en bij correct gebruik, zoals aangegeven in deze handleiding. De effectieve levensduur kan variëren afhankelijk van de frequentie en intensiteit van het gebruik.

1.4 Aansprakelijkheidsbeperking

Invacare aanvaardt geen aansprakelijkheid voor schade veroorzaakt door:

- Niet in acht nemen van de gebruikershandleiding
- Verkeerd gebruik
- Normale slijtage
- Verkeerde montage of afstelling door de koper of een derde
- Technische aanpassingen
- Niet-geautoriseerde wijzigingen en/of gebruik van ongeschikte reserveonderdelen

1.5 Garantie-informatie

Wij bieden voor dit product een fabrieksgarantie in overeenstemming met onze Algemene Voorwaarden in de respectievelijke landen.

Garantieclaims kunnen alleen worden ingediend via de dealer bij wie u het product hebt gekocht.

1.6 Naleving

Kwaliteit is cruciaal bij onze bedrijfsactiviteiten, waarbij wordt gewerkt binnen de normen van ISO 13485.

Dit product is voorzien van het CE-merktken conform Verordening 2017/745 betreffende medische hulpmiddelen, klasse 1. De introductiedatum van dit product staat vermeld in de CE-conformiteitsverklaring.

Wij werken er continu aan om ervoor te zorgen dat het effect van het bedrijf op het milieu, zowel lokaal als internationaal, zo veel mogelijk wordt beperkt.

Wij maken uitsluitend gebruik van materialen en onderdelen die voldoen aan de REACH-richtlijnen.

Wij leven de huidige milieuwetgevingen AEEA en RoHS na.

1.6.1 Productspecifieke normen

Het product is getest en voldoet aan de norm ISO 10535 (Tilliften voor het verplaatsen van gehandicapten) en alle bijbehorende normen.

Neem voor meer informatie over de lokale normen en voorschriften contact op met uw lokale Invacare-vertegenwoordiger. Zie de adressen aan het einde van dit document.

2 Veiligheid

2.1 Algemene veiligheidsinformatie

Dit deel van de handleiding bevat algemene veiligheidsinformatie over uw product. Raadpleeg voor specifieke veiligheidsinformatie het betreffende deel van de handleiding en de procedures in dat deel.



WAARSCHUWING!

Gevaar voor letsel of beschadiging

- Gebruik dit product of de beschikbare optionele apparatuur alleen als u deze instructies en het eventuele aanvullende instructiemateriaal volledig hebt doorgelezen en begrepen, met inbegrip van de gebruikershandleidingen of instructiebladen die bij dit product of de optionele apparatuur worden verstrekt. Als u de waarschuwingen, aandachtspunten of instructies niet begrijpt, dient u contact op te nemen met een zorgverlener, een Invacare-leverancier of een technisch medewerker voordat u dit product gaat gebruiken.
- Voer geen niet-geautoriseerde wijzigingen of aanpassingen uit op het product.



WAARSCHUWING!

De maximale veilige belasting mag niet worden overschreden.

- De maximale veilige belasting van dit product en de gebruikte accessoires, zoals draagbanden en tiljucken, mag niet worden overschreden. Zie de documentatie of het etiket voor de vermelde maximale veilige belasting.
- Het onderdeel met de laagste maximale belastbaarheid is bepalend voor de maximale veilige belasting van het gehele systeem.



WAARSCHUWING!

Gevaar voor letsel of beschadiging

- Verkeerd gebruik van dit product kan leiden tot schade of lichamelijk letsel.
- Verplaats een patiënt nooit zonder toestemming van de professionele zorgverlener van de patiënt.
 - Lees de instructies in deze gebruikershandleiding door en kijk eerst hoe de procedures voor het overplaatsen van patiënten worden uitgevoerd door getraind personeel. Oefen vervolgens zelf met het overplaatsen onder toezicht en met een geschikte persoon die de rol van patiënt speelt.
 - Wees bijzonder voorzichtig bij mensen met beperkingen die niet kunnen helpen terwijl ze worden overgeplaatst.
 - De plafondlift mag alleen worden gebruikt voor het tillen of verplaatsen van een patiënt.
 - Het rode noodstopkoord moet worden aangepast aan het bereik van de zorgverlener en mag niet worden verwijderd.
 - Als de tillift niet werkt, laat de patiënt dan op een geschikt oppervlak zakken met behulp van het noodstopkoord voordat u de verplaatsing op een andere manier voortzet.



WAARSCHUWING!

Gevaar voor letsel of beschadiging

- Verkeerd gebruik van de kabels kan elektrische schokken of defecten aan het product veroorzaken.
- Zorg ervoor dat u de kabels van het product niet knikt, afsnijdt of beschadigt.
 - Zorg ervoor dat er tijdens het gebruik van het product geen kabels bekneld of beschadigd raken.
 - Zorg ervoor dat de bedrading en aansluitingen goed zijn aangelegd.
 - Gebruik geen apparatuur als u daartoe niet bevoegd bent.



WAARSCHUWING!

Gevaar voor letsel of beschadiging

- Door te veel vocht kan het product beschadigd raken en kunnen er elektrische schokken optreden.
- De patiëntenlift kan in een badkamer worden gebruikt, maar mag NIET onder de douche worden gebruikt. De patiënt moet worden verplaatst naar een douchestoel of een ander hulpmiddel gebruiken voor het douchen.
 - Als de patiëntenlift wordt gebruikt in een vochtige omgeving, moet deze na gebruik worden afgedroogd.
 - Laad het product niet op in een vochtige omgeving of met natte handen.
 - Bewaar het product niet in een vochtige ruimte of onder vochtige omstandigheden.
 - Raadpleeg *10.3 Voorwaarden voor de gebruiksomgeving, pagina 88*.



WAARSCHUWING!

Gevaar voor letsel of beschadiging

- Ontstekingsbronnen kunnen brand of vuur veroorzaken.
- Tijdens het verplaatsen van een patiënt moet een veilige afstand worden bewaard tussen de lift en mogelijke ontstekingsbronnen (zoals een kachel, fornuis of openhaard).
 - Het is voor de patiënt en begeleiders verboden om tijdens het verplaatsen te roken.
 - De draagband mag niet boven of op een warmtebron worden gelegd (zoals een kachel, fornuis of openhaard).



WAARSCHUWING!

Gevaar voor letsel of beschadiging

- Letsel of beschadiging voorkomen tijdens het gebruik van het product:
- Als het product wordt gebruikt in de buurt van kinderen of huisdieren, moeten zij nauwlettend in de gaten worden gehouden.
 - Laat kinderen niet met het product spelen.



LET OP!

Gevaar voor letsel of beschadiging

- Het product kan heet worden bij blootstelling aan zonlicht of een andere warmtebron.
- Stel het product niet gedurende langere periodes bloot aan direct zonlicht.
 - Houd het product uit de buurt van warmtebronnen.

- !** **BELANGRIJK!**
Het product kan defect raken als zich te veel pluis, stof of vuil op het product heeft opgebouwd.
– Houd het product schoon.

- !** **BELANGRIJK!**
Onderhoud aan de elektronica mag alleen worden uitgevoerd door een gekwalificeerd technicus.
– Verwijder de afdekkap niet.

2.2 Veiligheidsinformatie over accessoires



LET OP!

Gevaar voor lichamelijk letsel

- Niet-originele of onjuiste accessoires kunnen van invloed zijn op de werking en veiligheid van dit product.
- Omdat er verschillen zijn per regio, kunt u het beste de Invacare-website of -catalogus voor uw regio raadplegen voor de beschikbare accessoires. U kunt ook contact opnemen met uw Invacare-leverancier.
 - Raadpleeg de handleiding bij de accessoires voor meer informatie en instructies.
 - Gebruik alleen originele accessoires voor het product dat u gebruikt. In bepaalde omstandigheden is het gebruik van een draagband van een andere fabrikant echter wel mogelijk. Zie de aanvullende informatie in deze paragraaf.
 - Altijd een risicobeoordeling uit te laten voeren door een professional voordat u liftonderdelen aan iemand verstrekt. Het is belangrijk om bij de risicobeoordeling rekening te houden met het gebruiksdoel, de persoon, de belasting, de omgeving en het materiaal.
 - Het ontwerp en het formaat van de draagband altijd te kiezen op basis van het gewicht, de omvang en het fysieke vermogen van de patiënt en daarbij rekening te houden met de wijze waarop de verplaatsing zal plaatsvinden.



LET OP!

Compatibiliteit van draagbanden met het bevestigingssysteem

- Invacare gebruikt een normaal bevestigingssysteem met haken en lussen. De lussen aan de draagband worden bevestigd aan de haken op de patiëntenlift. Daarom kunnen ook geschikte draagbanden van andere fabrikanten met deze patiëntenlift worden gebruikt.
- Gebruik alleen draagbanden met lusbevestigingen die geschikt zijn voor haken als bevestigingspunt.
 - Gebruik geen draagbanden die zijn ontworpen voor 'systemen met sleutelgat- of klembevestiging' of 'systemen met kantelframe'.

2.3 Veiligheidsinformatie over elektromagnetische interferentie



WAARSCHUWING!

Defecten mogelijk als gevolg van elektromagnetische interferentie

- Er kan elektromagnetische interferentie optreden tussen dit product en andere elektrische apparatuur. De elektrische afstel functies van dit product kunnen hierdoor verstoord worden. U kunt elektromagnetische interferentie op de volgende manieren voorkomen of verminderen:
- Gebruik alleen originele accessoires en reserve-onderdelen. Zo neemt de elektromagnetische emissie niet toe en neemt de elektromagnetische immuniteit van dit product niet af.
 - Houd draagbare RF-communicatieapparatuur op ten minste 30 cm van de onderdelen van dit product (inclusief kabels).
 - Gebruik dit product niet in de buurt van actieve hoogfrequente chirurgische apparatuur of een voor RF-straling afgeschermd MRI-ruimte, waar elektromagnetische storingen in hoge mate aanwezig zijn.
 - Als er sprake is van storingen, vergroot u de afstand tussen dit product en de overige apparatuur of schakelt u die apparatuur uit.
 - Raadpleeg de gedetailleerde informatie en volg de richtlijnen van hoofdstuk 11 *Elektromagnetische compatibiliteit (EMC)*, pagina 89.



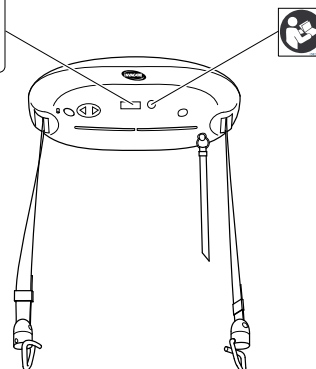
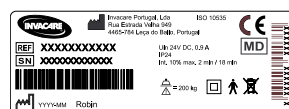
WAARSCHUWING!

Risico op storing

- Elektromagnetische interferentie kan een onjuiste werking tot gevolg hebben.
- Gebruik dit product niet naast of gestapeld met andere elektrische apparatuur. Als het toch nodig is dit product op dergelijke wijze te gebruiken, moet u de werking van het product en de andere apparatuur goed in de gaten houden.

2.4 Typeplaatjes en symbolen op het product

2.4.1 Locatie van de labels













2.4.2 Typeplaatje



Het typeplaatje bevat de belangrijkste productinformatie, inclusief technische gegevens.

Symbolen

	Serienummer
	Referentienummer
	Fabrikant
	Fabricagedatum
	Veilig te belasten tot maximaal
	Klasse II-apparaat


	Type B-apparaat
	Conform AEEA
	Conformiteit met Europese normen
	Medisch hulpmiddel

Afkortingen voor technische gegevens:

- I_{in} = ingangsstroom
- U_{in} = ingangsspanning
- Int. = onderbrekingen
- AC = wisselstroom
- Max = maximum
- min = minuten

Zie 10 Technische Specificaties, pagina 88 voor meer informatie over de technische gegevens.

2.4.3 Overige labels en symbolen

	Zie de gebruiksaanwijzing
---	---------------------------

3 Productoverzicht

3.1 Beoogd gebruik

De plafondlift is een apparaat dat op een accu werkt, en is ontworpen voor gebruik binnenshuis bij een normale temperatuur en vochtigheidsgraad.

Als het product voortdurend wordt blootgesteld aan hoge luchtvochtigheid, sterke condensvorming en bijtende stoffen (zoals chloor- of ammoniakgas), raakt het misschien beschadigd en is een kortere levensduur te verwachten.

Veel voorkomende tilsituaties zijn:

- Tussen bed en rolstoel
- Van en naar het toilet
- Een patiënt vanaf de vloer omhoog tillen of laten zakken

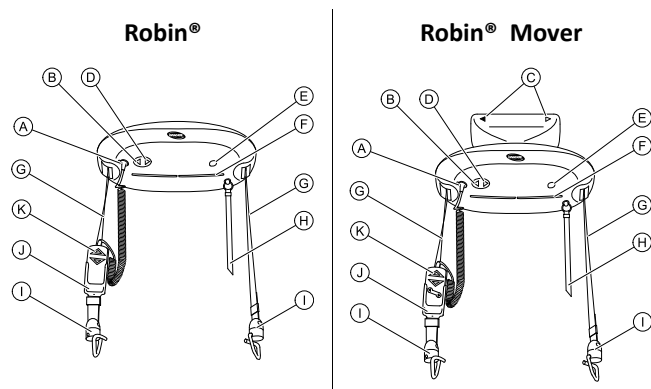
De maximale veilige belasting staat vermeld in *10 Technische Specificaties, pagina 88*.

De plafondlift kan worden gebruikt voor het verplaatsen en neerzetten van patiënten die deels of volledig immobiel zijn, in het aanbevolen railsysteem. Alle positiewijzigingen kunnen worden uitgevoerd zonder hulp van de patiënt.

De beoogde bediener van dit product is een zorgprofessional of een privépersoon die voldoende training heeft gehad.

Voor dit product zijn geen contra-indicaties bekend.

3.2 Belangrijkste onderdelen van de plafondlift



Ⓐ	Aansluiting voor handbediening
Ⓑ	Regelknop omhoog
Ⓒ	Richtingspijlen op de Robin® Mover
Ⓓ	Regelknop omlaag
Ⓔ	Aansluiting voor externe reserve-accu
Ⓕ	Indicatorlampje
Ⓖ	Tilbanden
Ⓗ	Rood noodstopkoord
Ⓘ	Bevestigingshaken
Ⓙ	Houder voor handbediening (accessoire)
Ⓚ	Handbediening

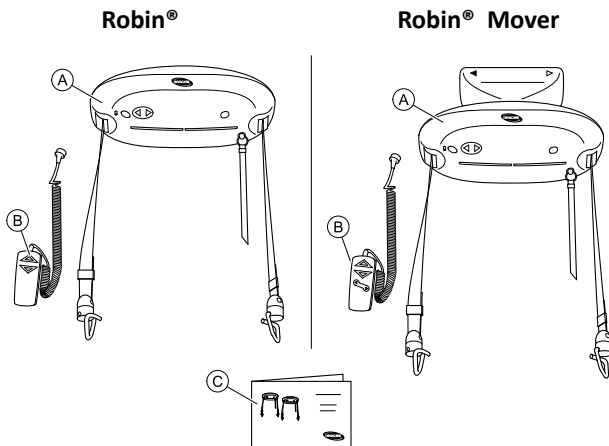
3.3 Accessoires

i Omdat er verschillen zijn per regio, kunt u het beste de Invacare-website of -catalogus voor uw regio raadplegen voor informatie over de beschikbare accessoires. U kunt ook contact opnemen met uw Invacare-leverancier.

- 2- en 4-punts tiljuk inclusief flexiscoopversie
- Stretcher voor horizontaal tillen
- Schaal inclusief tiljuk
- Houder voor de handbediening
- Acculader
- Laderset (lader en houder voor handbediening)
- Riemverlengers en verlengkabels voor handbediening
- Externe reserve-accu
- Lader voor externe reserve-accu
- Draagbandmodellen voor tiljucksysteem 'kledinghanger met lus':
 - Draagbanden voor ondersteuning van het hele lichaam – zonder hoofdsteen
 - Draagbanden voor ondersteuning van het hele lichaam – met hoofdsteen
 - Draagbanden voor aankleden/toiletbezoek – met of zonder hoofdsteen
 - Draagbanden voor geamputeerden
 - Draagbanden voor looptraining

4 Montage

4.1 Geleverde onderdelen



- **A** Plafondlift inclusief twee tilbanden met haken en een noodstopkoord. Bij de Robin® Mover wordt ook de trolley meegeleverd.
- **B** Handbediening
- **C** Gebruiksaanwijzing

4.2 Vóór gebruik



LET OP!

– De plafondlift is niet bedoeld voor gebruik in combinatie met ELEKTRISCHE MEDISCHE APPARATUUR.

Voor het eerste gebruik moeten alle functies van het tilsysteem worden gecontroleerd door een gespecialiseerde onderhoudstechnicus.

Controleer de plafondlift met het oog. Als de verpakking bij aankomst is beschadigd, moeten de onderdelen van de plafondlift grondig worden onderzocht op zichtbare schade of defecten. Als schade wordt vermoed, mag de plafondlift pas worden gebruikt na goedkeuring van een gespecialiseerde onderhoudstechnicus.

De noodstop is tijdens verzending ingeschakeld. Stel de noodstopknop voor het eerste gebruik opnieuw in. Raadpleeg 5.9 *De noodstop of verlagingsfunctie opnieuw instellen*, pagina 80.

Het is mogelijk dat de accu van de tillift door zelfontlading leeg is. Laad de accu van de tillift voor het eerste gebruik op. Raadpleeg 5.5 *De accu laden*, pagina 79.

4.3 De plafondlift installeren

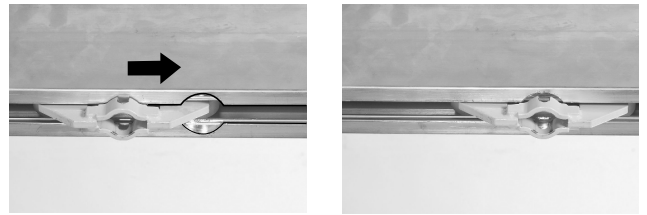
De plafondlift moet voor gebruik aan een railsysteem worden gemonteerd. Het railsysteem moet worden geïnstalleerd en goedgekeurd conform EN-10535 door een gespecialiseerde dealer of onderhoudstechnicus.

Installatie van de Robin®

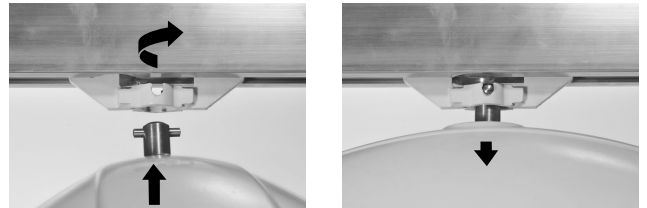
Voor de Robin™ is een trolley nodig, die de plafondlift in het railsysteem houdt. De trolley moet vooraf worden geïnstalleerd door een gespecialiseerde dealer of onderhoudstechnicus.

U monteert de plafondlift als volgt aan de trolley:

1. Ga naar de lifttrolley bij de ronde uitsparing van $\varnothing 32$ mm in de rail.



2. Til de tillift op en druk de ophangpin door de trolley-opening.
3. Draai de tillift 90 graden om hem in de trolley te zetten.



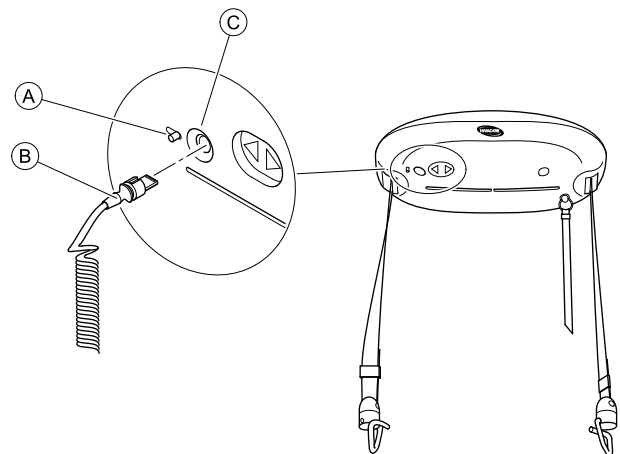
4. Verstel de lengte van het noodstop-/verlagingskoord tot de reikhoogte van de gebruiker.

Installatie van de Robin® Mover

De Robin® Mover is een plafondlift met al een trolley eraan bevestigd. De trolley kan daarom niet van tevoren worden geïnstalleerd in het railsysteem.

De plafondlift moet vooraf worden geïnstalleerd door een gespecialiseerde dealer of onderhoudstechnicus.

4.4 De stekker van de handbediening aansluiten



1. Schuif de vergrendelingshendel **A** weg van de opening **C** en houd hem zo vast. Een klep in de opening gaat open.
2. Zorg ervoor dat u de stekker **B** met de gleuf naar boven houdt (zie afbeelding). Steek de stekker in de opening.
3. Laat de hendel los, zodat de klep sluit en de stekker in de opening blijft zitten.

De stekker van de handbediening verwijderen

1. Schuif de vergrendelingshendel **A** weg van de opening **C** en houd hem zo vast.
2. Trek de stekker **B** uit de opening.
3. Laat de hendel los.

5 Gebruik

5.1 Algemene veiligheidsinformatie



WAARSCHUWING!

Risico op letsel of beschadiging

Raadpleeg de volgende veiligheidsinformatie en -instructies voordat u de lift met een patiënt gebruikt:

- 2 *Veiligheid, pagina 73*
- 6 *Verplaatsen van een patiënt, pagina 81*

5.2 Algemene bedieningsinformatie



LET OP!

Als de tilbanden niet juist in de tillift zijn gevoerd (de tilbanden zijn bijvoorbeeld verdraaid), zal de plafondlift automatisch worden uitgeschakeld.

- Houd de tilbanden recht om er zeker van te zijn dat ze op je juiste manier in de tillift gaan. De tilbanden worden strak gehouden door het gewicht van de haken.
- Laat de tilbanden los hangen bij het tillen/verlagen van een niet-belaste tillift.

Als de hand van een gebruiker per ongeluk bekneld raakt in de tilband tijdens het tillen, zal de plafondlift automatisch worden uitgeschakeld. De tillift stopt onmiddellijk wanneer een hand de inlaat van de tilband raakt.

- Houd uw handen tijdens het tillen uit de buurt van de inlaat van de tilband.



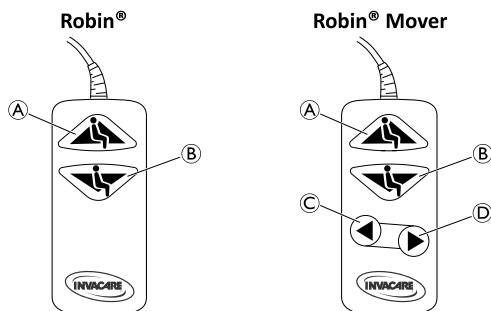
LET OP!

De handbediening is beschermd tegen opspattend water (IPx4). Langdurig contact met water beschadigt de handbediening.

- Dompel de handbediening niet in vloeistoffen, ook niet voor korte duur.
- Vermijd contact met water of andere vloeistoffen.

5.3 De plafondlift bedienen

De plafondlift wordt ingeschakeld zodra er op een knop op de handbediening wordt gedrukt.



De banden optrekken en neerlaten



Wanneer de plafondlift niet is beladen, werkt de til-/verlagingsfunctie op hoge snelheid. Bij een belasting van meer dan 10 kg daalt de til-/verlagingsnelheid automatisch naar een veilig niveau.

1. Om de banden op te trekken, drukt u op de knop UP (omhoog) **A** op de handbediening.
2. Om de banden neer te laten, drukt u op de knop DOWN (omlaag) **B** op de handbediening.



De plafondlift kan ook worden bediend via de UP- en DOWN-knoppen aan de onderkant van de tillift.

Traverse Robin® langs de rail

1. Gebruik de twee tilbanden om de plafondlift langs de rail te verplaatsen.



Gebruik het rode noodstopkoord NIET om de plafondlift te verplaatsen.

Traverse Robin® Mover langs de rail

1. Voer één van de volgende handelingen uit:
 - Bij een beladen tillift: druk op de knop LEFT (links) **C** of RIGHT (rechts) **D** op de handbediening om de plafondlift langs de rail te verplaatsen.
 - Bij een niet-beladen tillift: gebruik de twee tilbanden om de tillift langs de rail te verplaatsen.



Gebruik het rode noodstopkoord NIET om de plafondlift te verplaatsen.

Het is niet mogelijk de verplaatsingsfunctie en de til-/verlagingsfunctie tegelijkertijd te gebruiken. Wanneer de verplaatsingsfunctie is ingeschakeld, is het blauwe indicatorlampje aan de onderkant van de tillift uitgeschakeld. Raadpleeg 5.4 *Indicatorlampje en geluidssignaal, pagina 78*.

5.4 Indicatorlampje en geluidssignaal

Tillift

Status	Indicatorlampje	Geluidssignaal
Uit/Stand-by	Uit	Nee
Tillift in beweging (alleen Robin® Mover)		
Tillift in gebruik (omhoog/omlaag)	Blauw	Nee
Accu bijna leeg	Blauw knippert	Ja

Het blauwe indicatorlampje aan de onderkant van de tillift schakelt na 30 seconden automatisch uit.

Aan de muur gemonteerde oplader

Status	Indicatorlampje	Duur
De accu is niet aangesloten	Geel	n.v.t.
Initialisatie en analyse van de accu	Geel	12–14 seconden
Snel opladen	Rood	5 min.–3 uur
Opgeladen (druppelladen)	Groen	n.v.t.
Foutstatus (accu defect)	Afwisselend rood en groen	n.v.t.

5.5 De accu laden

Als de accu bijna leeg is, klinkt er een geluid en het indicatorlampje onder in de plafondlift gaat knipperen (zie ook 5.4 *Indicatorlampje en geluidssignaal, pagina 78*). Als dat gebeurt, is er doorgaans onvoldoende stroom om de patiënt te laten zakken.

i De tillift kan niet worden gebruikt als de accu aan het laden is.

1. Verplaatsing die in gang is, afmaken
Als de verplaatsing die in gang is gezet, de accu volledig opmaakt, kan een externe reserve-accu worden gebruikt om de tillift tijdelijk van stroom te voorzien. Raadpleeg 5.6 *De externe reserve-accu gebruiken, pagina 79*.
2. Verplaats de plafondlift naar het laadstation.
3. Controleer of de handbediening en het laadstation schoon zijn en droog voordat u ze oplaadt
4. Plaats de handbediening in het laadstation.
Een geel indicatorlampje op de lader geeft aan dat de handbediening is aangesloten. Het indicatorlampje brandt rood wanneer de accu wordt geladen.
5. Als de accu volledig is geladen, wordt het indicatorlampje op de lader groen.
Laat de handbediening zolang de plafondlift niet wordt gebruikt, in het laadstation.
6. Om de plafondlift te gebruiken, haalt u de handbediening uit de lader.

i Een geladen batterij garandeert de werking van de tillift en is goed voor een lange levensduur van de accu.

Als een piepgeluid klinkt en het blauwe indicatorlampje op de tillift knippert nadat de accu volledig is geladen en de tillift maar kort is gebruikt, moet de accu misschien worden gekalibreerd of vervangen. Raadpleeg 7.5 *Onderhoud accu, pagina 84*.

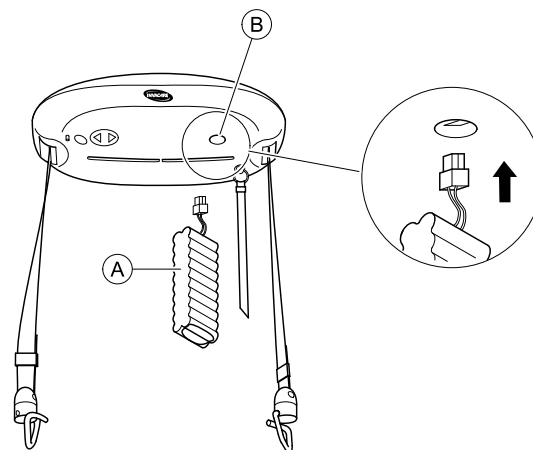
Als de plafondlift langer dan vier weken niet wordt gebruikt, raadt Invacare aan de lader te ontkoppelen en de noodstop eruit te trekken.

De lader is met een stekker aangesloten op de netspanning. Zorg ervoor dat u bij de stekker kunt, zodat u hem eruit kunt trekken als dat nodig is.

5.6 De externe reserve-accu gebruiken

Als de plafondlift direct moet worden gebruikt maar de accu leeg is, kan de externe reserve-accu worden gebruikt.

i Gebruik de externe reserve-accu alleen bij wijze van uitzondering en alleen wanneer absoluut noodzakelijk. De externe reserve-accu is verkrijgbaar als accessoire.



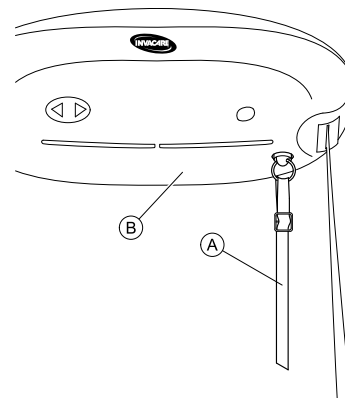
1. Steek de stekker van de externe reserve-accu (A) in opening (B) aan de onderkant van de tillift. De externe reserve-accu moet tijdens verplaatsing van de patiënt onbelemmerd hangen.
2. Bedien de plafondlift zoals beschreven in hoofdstuk 5.3 *De plafondlift bedienen, pagina 78*.
3. Laad de externe reserve-accu op, zodat die de volgende keer dat hij moet worden gebruikt, weer volledig opgeladen is.

De externe accu opladen:

1. Steek de stekker in de oplaadbus (een speciale adapter is nodig).
2. Het led-lampje wordt groen om aan te geven dat het apparaat volledig is opgeladen (geschatte oplaadduur is 2 uur).

5.7 Noodstop

De noodstopfunctie wordt gebruikt om de patiënt niet verder te laten zakken of op te tillen als de plafondlift niet meer stopt of niet reageert op de handbediening.



1. Trek kort aan het rode noodstopkoord (A) aan de onderkant van de tillift (B) om de noodstop te activeren. De plafondlift houdt direct op met tillen of laten zakken.

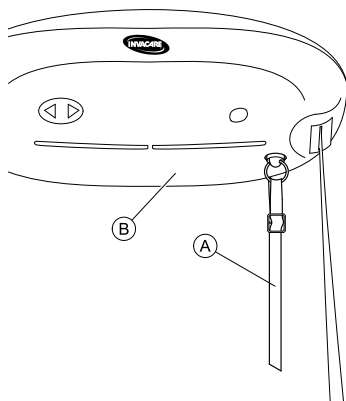
! BELANGRIJK!

Wanneer aan het rode noodstopkoord wordt getrokken, worden de tilliftfuncties, inclusief de eindstop, uitgeschakeld. Het blauwe indicatorlampje wordt uitgeschakeld.

– Om de tilliftfunctie opnieuw te activeren, stelt u de noodstop opnieuw in. Raadpleeg 5.9 *De noodstop of verlagingsfunctie opnieuw instellen, pagina 80*.

5.8 Noodverlaging

De noodverlagingsfunctie wordt gebruikt om de patiënt alleen te laten zakken als de tillift niet meer werkt.



1. Trek aan het rode noodstopkoord (A) aan de onderkant van de tillift (B) en blijf eraan trekken om de patiënt te laten zakken.
Blijf trekken tot de patiënt tot op een veilige positie is gezakt.
2. Laat het rode noodstopkoord los om de patiënt niet verder te laten zakken.

! BELANGRIJK!

Wanneer aan het rode noodstopkoord wordt getrokken, worden de tilliftfuncties uitgeschakeld en gaat het blauwe indicatorlampje uit.

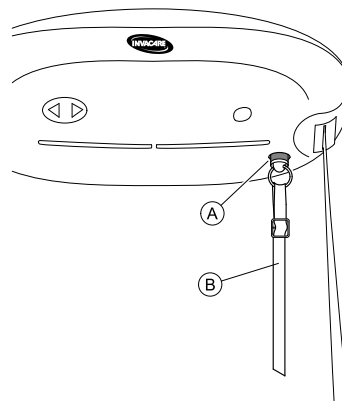
- Blijf alleen aan het rode noodstopkoord trekken tot de patiënt tot op een veilige positie is gezakt.
- Om de tilliftfunctie opnieuw te activeren, stelt u de noodstop opnieuw in. Raadpleeg 5.9 *De noodstop of verlagingsfunctie opnieuw instellen*, pagina 80.

5.9 De noodstop of verlagingsfunctie opnieuw instellen



WAARSCHUWING!

– Als de noodstop en noodverlaging moet worden gebruikt, is er een probleem met het systeem opgetreden. Neem voor onderhoud contact op met uw plaatselijke Invacare-dealer of -vertegenwoordiger voordat u het systeem weer gaat gebruiken.



Wanneer aan het rode noodstopkoord (B) wordt getrokken, komt de resetknop (A) tevoorschijn, zodat een rode ring zichtbaar wordt. De tillift werkt pas als de noodstop of verlagingsfunctie opnieuw is ingesteld.

1. Druk op de resetknop (A) om de noodstop of verlagingsfunctie opnieuw in te stellen.
2. Activeer de handbediening om gebruik van de tillift te hervatten.

6 Verplaatsen van een patiënt

6.1 Algemene veiligheidsinformatie



WAARSCHUWING!

Gevaar voor letsel of beschadiging

Verkeerd gebruik van dit product kan leiden tot schade of lichamelijk letsel.

- Controleer voordat u een patiënt verplaatst naar een stilstaand object (rolstoel, bed, toiletstoel of een ander oppervlak) of dit object voldoende draagvermogen heeft voor het gewicht van de patiënt.
- Indien van toepassing moeten de remmen van het stilstaande object (rolstoel, bed enzovoort) zijn geactiveerd voordat u de patiënt op het stilstaande object laat zakken of optilt van het stilstaande object.



WAARSCHUWING!

Gevaar voor letsel of beschadiging

Schade aan onderdelen van de patiëntenlift die is veroorzaakt door het raken van de vloer, muren of andere stilstaande objecten kunnen schade aan het product en letsel veroorzaken.

- Zorg dat onderdelen van de patiëntenlift geen vloeren, muren of andere stilstaande objecten raken.
- Berg de handbediening altijd netjes op wanneer deze niet wordt gebruikt.



WAARSCHUWING!

Gevaar voor lichamelijk letsel

Het risico op letsel bij de patiënt en verzorger bestaat door bungelende haken of de handbediening.

- Let bij tilprocedures altijd op de positie van de haken en handbediening.



WAARSCHUWING!

Beknellings- of verstikkingsgevaar

Spullen in de omgeving van de patiënt kunnen tijdens het optillen beknelling of verstikking veroorzaken. Om beknelling of verstikking te voorkomen:

- Controleer voor het tillen of de patiënt niet ergens aan vastzit.
- Zorg dat de patiënt en verzorgers niet verstrikt raken in het snoer van de handbediening of de tilbanden.



WAARSCHUWING!

Beknellingsgevaar

Het risico bestaat dat u bekneld raakt tussen de haken en de draagband of tussen de haken en de behuizing van de haken.

- Wees voorzichtig bij het tillen.
- Plaats bij het tillen nooit handen of vingers op of in de buurt van de haken.
- Zorg ervoor voordat u gaat tillen dat de handen en vingers van de patiënt zich niet in de buurt van de haken bevinden.



BELANGRIJK!

Alle verplaatsingsprocedures die hieronder worden beschreven, kunnen worden uitgevoerd door één (1) assistent. Invacare raadt echter aan de procedures indien mogelijk met twee (2) assistenten uit te voeren.

6.2 De draagband bevestigen



WAARSCHUWING!

Gevaar voor lichamelijk letsel

Het gebruik van verkeerde of beschadigde draagbanden kan ertoe leiden dat de patiënt valt of de assistenten gewond raken.

- Gebruik een door Invacare goedgekeurde draagband die wordt aanbevolen door de arts, verpleegkundige of arts-assistent van de betrokkene om comfort en veiligheid te kunnen waarborgen voor de patiënt die moet worden verplaatst.
- Invacare-draagbanden en -accessoires voor patiëntenliften zijn specifiek ontworpen voor gebruik in combinatie met Invacare-patiëntenliften.
- Inspecteer de draagband(en) op slijtage, scheuren en losse naden na elke reinigingsbeurt (volgens de instructies op de draagband).
- Verbleekte, gescheurde, gerafelde en beschadigde draagbanden zijn onveilig en kunnen leiden tot letsel. Verwijder deze direct.
- Pas draagbanden NIET aan.



WAARSCHUWING!

Gevaar voor lichamelijk letsel

Het gebruik van onjuist bevestigde of aangepaste draagbanden kan ertoe leiden dat de patiënt valt of de assistenten gewond raken.

- Controleer de bevestigingspunten van de draagband telkens wanneer u deze verwijdert of verplaatst om ervoor te zorgen dat de band goed vastzit voordat u een patiënt uit een stilstaand object verwijdert (bed, stoel of toilet).
- Gebruik GEEN enkel type kunststof incontinentieluier of zitkussen tussen de patiënt en het materiaal van de draagband waardoor de patiënt tijdens het verplaatsen uit de draagband zou kunnen glijden.
- Plaats de patiënt in de draagband volgens de instructies die bij de draagband zijn geleverd.
- Zorg ervoor dat u alle aanpassingen voor de veiligheid en het comfort voor de patiënt hebt ingesteld voordat u de patiënt gaat verplaatsen.


De informatie in dit hoofdstuk dient slechts als algemene richtlijn. Raadpleeg de gebruikershandleiding bij de draagband voor meer informatie.

Een draagband met vier tot zes banden die is ontworpen voor montage aan haken, dient bij de plafondlift te worden gebruikt.

De lussen aan de draagband kunnen banden met verschillende kleuren bevatten die verschillende lengtes aangeven. Hiervan kan gebruik worden gemaakt om de patiënt in verschillende posities te plaatsen. Zorg dat aan beide zijden van de draagband dezelfde kleur wordt gebruikt, zodat de patiënt bij het omhoog tillen niet scheef hangt.



De bevestigingsbanden van de draagbanden moeten in paren op hun eigen ophanghaak worden bevestigd (één voor de rug en één voor de benen).

 Als u de draagband aan de haken bevestigt, en de bevestigingsbanden zijn gedraaid, dan zullen ze draaien en rekken waardoor een normale werking van de tillift gegarandeerd is.

6.3 Tilinformatie



WAARSCHUWING!

- Alleen personeel dat is opgeleid in het gebruik van tilapparatuur en het aanbrengen van draagbanden, mag de tillift gebruiken.
- Plan de verplaatsing. Laat de patiënt nooit zonder toezicht in de draagband achter.
 - De plafondlift tilt snel. Controleer voor het tillen of de patiënt niet ergens aan vastzit.
 - De lichaamsdelen van de patiënt mogen niet het risico lopen bekneld te raken.
 - Controleer of het rode noodstopkoord, de handbediening en de kabel van de handbediening niet op of om de tilbanden, patiënt en andere voorwerpen zitten voordat de plafondlift wordt geactiveerd, en omhoog of omlaag wordt bewogen.
 - Wanneer de plafondlift goed wordt gebruikt, wordt de patiënt alleen tot een hoogte getild waarop hij/zij het zit-/ligoppervlak niet meer raakt en op die hoogte kan worden verplaatst.

6.4 Tillen naar en vanaf een zittende positie



Volg deze procedure wanneer u een patiënt vanuit een zittende positie tilt (rolstoel, toilet, etc.).

1. Verplaats de plafondlift langs de rail naar de te tillen patiënt.
2. Plaats de ophanghaken tot op borsthoogte van de patiënt en niet dichterbij dan halverwege de dij.
3. Plaats de ophanghaken op een lijn met de schouders van de patiënt.
4. Zet de patiënt in de draagband. Raadpleeg de gebruiksaanwijzing bij de draagband.
5. Bevestig de draagband aan de ophanghaken. Raadpleeg *6.2 De draagband bevestigen, pagina 81*.

6.5 Tillen naar en vanaf een liggende positie



Volg deze procedure wanneer u een patiënt vanuit een liggende positie tilt.

1. Verplaats de plafondlift langs de rail naar de te tillen patiënt.
2. Plaats de ophanghaken boven de te tillen patiënt.
3. Houd de ophanghaken op een lijn met de schouders van de patiënt.
4. Zet de patiënt in de draagband. Raadpleeg de gebruiksaanwijzing bij de draagband.
5. Verhoog het hoofdeinde van het bed, zodat de gebruiker rechtop zit.
6. Bevestig de draagband aan de ophanghaken. Raadpleeg *6.2 De draagband bevestigen, pagina 81*.

7 Onderhoud

7.1 Algemene informatie over onderhoud



LET OP!

Risico op letsel of beschadiging

- Voer geen onderhouds- of reparatieprocedures uit terwijl het product in gebruik is.

Volg de onderhoudsprocedures die worden beschreven in deze handleiding voor een maximale productiviteit en levensduur van uw product.

In de servicehandleiding worden verdere procedures voor onderhoud en inspectie beschreven, die door een gekwalificeerde monteur moeten worden uitgevoerd. Servicehandleidingen zijn verkrijgbaar via Invacare.

7.2 Dagelijkse controles



WAARSCHUWING!

Gevaar voor letsel of beschadiging

Beschadigde en versleten onderdelen kunnen de veiligheid van de patiëntenlift aantasten.

- De patiëntenlift dient bij elk gebruik te worden gecontroleerd.
- Gebruik de patiëntenlift niet als deze beschadigd is of als u vermoedt dat bepaalde onderdelen van de lift onveilig zijn. Neem onmiddellijk contact op met uw Invacare-leverancier en zorg ervoor dat de patiëntenlift niet wordt gebruikt totdat deze is gerepareerd.

Lijst dagelijkse controle

- Controleer draagbanden, tiljuk (optioneel), tilbanden en bevestigingshaken met het oog. Controleer alle onderdelen op schade of slijtage.
- Controleer de noodstop- en de noodverlagingsfunctie. Controleer alle onderdelen op externe schade of slijtage.
- Controleer alle onderdelen en bevestigingspunten op schade of slijtage. Controleer alle onderdelen op externe schade of slijtage.
- Ga na of de handbediening werkt.
- Controleer de acculader.
- Laad de accu elke dag dat de patiëntenlift wordt gebruikt.

7.3 Reiniging en desinfectie

7.3.1 Algemene veiligheidsinformatie



LET OP!

Besmettingsgevaar

- Tref voorzorgsmaatregelen voor uw eigen veiligheid en gebruik de juiste beschermingsuitrusting.



LET OP!

Risico op elektrische schokken en beschadiging van het product

- Schakel het apparaat uit en haal indien van toepassing de stekker uit het stopcontact.
- Houd bij het reinigen van elektrische onderdelen rekening met de betreffende beschermingsgraad tegen het binnendringen van water.
- Zorg dat er geen water op de stekker of het stopcontact spat.
- Raak de contactdoos niet aan als u natte handen hebt.



BELANGRIJK!

Het gebruik van de verkeerde vloeistoffen of methoden kan het product aantasten of beschadigen.

- Alle gebruikte reinigingsmiddelen en desinfecteringsmiddelen moeten effectief zijn, met elkaar gecombineerd kunnen worden en de te reinigen materialen beschermen.
- Gebruik nooit bijtende vloeistoffen (zuren, basen enzovoort) of schurende reinigingsmiddelen. We raden u aan een gewoon huishoudelijk reinigingsmiddel zoals vaatwasmiddel te gebruiken, indien in de reinigingsinstructies geen ander middel wordt voorgeschreven.
- Gebruik nooit een oplosmiddel (thinner, aceton en dergelijke) waardoor de structuur van de kunststof kan veranderen of labels kunnen loslaten.
- Zorg er altijd voor dat het product volledig droog is voordat dit weer in gebruik wordt genomen.



Volg voor reiniging en desinfectie in klinische omgevingen of omgevingen voor langdurige zorg de intern ingestelde procedures.

7.3.2 Reinigingsintervallen



BELANGRIJK!

Regelmatig reinigen en desinfecteren zorgt voor een soepele werking, verhoogt de levensduur en voorkomt besmetting.

- Reinig en desinfecteer dit product
- regelmatig als het wordt gebruikt;
 - voor en na onderhoudswerkzaamheden;
 - als het in contact is gekomen met lichaamsvocht;
 - voordat een nieuwe gebruiker er gebruik van maakt.

7.3.3 Reinigingsinstructies



BELANGRIJK!

- Het product mag niet worden gereinigd in geautomatiseerde wasinrichtingen, met hogedrukreinigingsapparatuur of met stoom.

De lift reinigen

Methode: Afnemen met een natte doek of zachte borstel.

Max. temperatuur: 40 °C

Oplosmiddel/chemische middelen: een normaal huishoudelijk reinigingsmiddel en water.

Drogen: afdrogen met een zachte doek.

De draagband reinigen

Raadpleeg de wasinstructies op de draagband en de handleiding bij de draagband voor informatie over het reinigen.

7.3.4 Instructies voor desinfecteren



Informatie over aanbevolen desinfectiemiddelen en -methoden is te vinden op <https://vah-online.de/en/for-users>.

Verzorging thuis

Methode: Volg de opmerkingen over het aanbrengen van het gebruikte desinfectiemiddel op en neem alle toegankelijke oppervlakken af.

Desinfectiemiddel: een standaard desinfectiemiddel voor huishoudelijk gebruik.

Drogen: laat het product aan de lucht drogen.

ziekenhuis en instelling voor langdurige zorg

Volg de desinfectieprocedures van uw instelling op en gebruik uitsluitend desinfectiemiddelen en -methoden die hierin worden vermeld.

7.4 Periodiek onderhoud



WAARSCHUWING!

Gevaar voor letsel of beschadiging

Onderhoud mag alleen worden uitgevoerd door een bevoegd technicus.
– Neem voor onderhoud contact op met uw Invacare-leverancier.

Er moet minimaal eens per 12 maanden onderhoud worden uitgevoerd, tenzij anders vermeld in lokale vereisten.

De inspectiefrequentie moet worden verhoogd als het product voortdurend wordt blootgesteld aan hoge luchtvochtigheid, sterke condensvorming en bijtende stoffen

(zoals chloor- of ammoniakgas), om beschadiging van het product te voorkomen.

7.4.1 LOLER Statement

The UK Health and Safety Executive's Lifting Operations and Lifting Equipment Regulations 1998, require any equipment that is used in the workplace to lift a load be subject to safety inspection on a six monthly basis. Please refer to the HSE web site for guidance www.hse.gov.uk.

The person responsible for the equipment must ensure adherence to LOLER regulations.

7.5 Onderhoud accu

Als een piepgeluid klinkt en het blauwe indicatorlampje op de tillift knippert nadat de accu volledig is geladen en de tillift maar kort is gebruikt, moet de accu misschien worden gebalanceerd.

Om de accu volledig te kunnen laden, moet de accu van tijd tot tijd worden gebalanceerd.

Na een lange periode in de opslag kan het nodig zijn de accu te balanceren.

U kunt de accu ook balanceren in situaties waarin de tillift onregelmatig wordt gebruikt, en/of waarin de handbediening langere tijd in de lader zit. Dan is er altijd voldoende vermogen voor een paar tilbeurten, maar we raden aan de accu zo snel mogelijk daarna te balanceren.

Een accu balanceren doet u door de tillift een paar keer helemaal te laden en vervolgens te ontladen.

1. Laad de accu totdat het led-lampje groen wordt.
2. Haal de handbediening uit de lader.
3. Hijs en verlaag de banden gedurende een minuut met belasting.
4. Wacht tien minuten.
5. Herhaal stappen 3-4, totdat de accu helemaal leeg is.



Herhaal deze procedure als u een piepgeluid hoort en de blauwe lampjes knipperen ten teken dat de accu bijna leeg is.

6. Herhaal stappen 1-5 twee tot drie keer.

8 Na gebruik

8.1 Transport en opslag

Invacare raadt aan de plafondlift altijd in de originele verpakking te vervoeren en op te slaan. Zet de plafondlift op een zacht oppervlak, zoals een lap of een schuimrubberen mat.

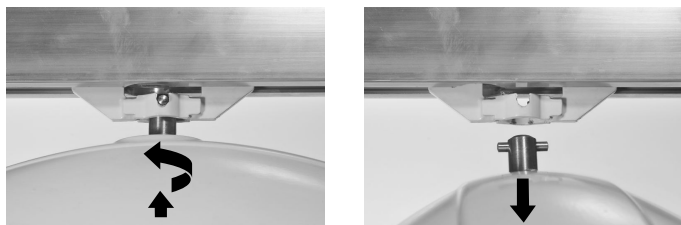
Bij langdurige opslag moet de noodstop wordt geactiveerd. Dat vertraagt ontlading van de accu. Raadpleeg 5.7 *Noodstop, pagina 79*.

Raadpleeg 10.3 *Voorwaarden voor de gebruiksomgeving, pagina 88* voor opslagvoorschriften van de plafondlift.

8.2 De plafondlift demonteren

De plafondlift kan worden gedemonteerd voor transport of opslag.

Robin®



1. Til de lift een beetje op en druk de ophangpin uit zijn houder in de trolley.
2. Draai de lift 90 graden en trek hem uit de trolley.

Robin® Mover

Neem contact op met uw Invacare-vertegenwoordiger of gespecialiseerde dealer voor demontage van de plafondlift door een gespecialiseerde onderhoudstechnicus.

8.3 Afvoeren



WAARSCHUWING!

Potentieel schadelijk voor het milieu

Het apparaat bevat accu's.

Dit product bevat mogelijk stoffen die schadelijk kunnen zijn voor het milieu wanneer ze worden achtergelaten op plaatsen (stortplaatsen) die volgens de wetgeving daarvoor niet geschikt zijn.

- Gooi accu's NIET weg met normaal huishoudelijk afval.
- Accu's MOETEN naar een daarvoor bestemd afvalverwerkingsstation worden gebracht. Het inleveren van accu's is wettelijk verplicht; er zijn geen kosten aan verbonden.
- Voer alleen lege accu's af.
- Dek bij lithiumaccu's die afgevoerd moeten worden de contactpunten af.
- Meer informatie over het soort accu vindt u op het label van de accu of in het hoofdstuk 10 *Technische Specificaties, pagina 88*.

Wij hopen dat u voldoende milieubewust bent om dit product na de levensduur naar een afvalverwerkingsstation te brengen.

Haal het product en de onderdelen ervan uit elkaar, zodat de verschillende materialen afzonderlijk kunnen worden gerecycled.

Gebruikte producten en verpakkingen moeten worden afgevoerd en gerecycled overeenkomstig de wet- en regelgeving voor afvalverwerking in het betreffende land. Neem contact op met uw plaatselijke afvalverwerkingsbedrijf voor meer informatie.

8.4 Geschikt maken voor hergebruik

Dit product is geschikt voor hergebruik. Om het product voor een nieuwe gebruiker gebruiksklaar te maken, voert u de volgende handelingen uit:

- Inspectie
- Schoonmaken en desinfecteren

Zie voor meer informatie 7 *Onderhoud, pagina 83* en de servicehandleiding bij dit product.

Zorg ervoor dat de gebruikershandleiding samen met het product wordt overhandigd.


Hergebruik het product niet als er schade of afwijkingen zijn geconstateerd.

9 Problemen oplossen

9.1 Tabel voor het oplossen van problemen

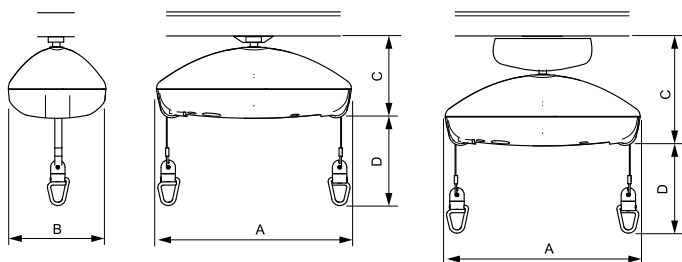
SYMPTOMEN	PROBLEEM	OPLOSSING
Plafondlift reageert niet op de knoppen van de handbediening, en de knoppen Omhoog/Omlaag op de plafondlift reageren niet.	Noodstop geactiveerd	Controleer of de noodstop niet is geactiveerd. Raadpleeg 5.9 <i>De noodstop of verlagingsfunctie opnieuw instellen, pagina 80.</i>
	Systeem is niet op stroomvoorziening aangesloten of de accu is leeg	Laad de accu of gebruik de noodaccu. Raadpleeg 5.5 <i>De accu laden, pagina 79.</i>
	Zekering is gesprongen	De zekering moet worden vervangen. Neem voor onderhoud contact op met uw Invacare-vertegenwoordiger of gespecialiseerde dealer.
Plafondlift reageert niet op de knoppen van de handbediening, maar de knoppen Omhoog/Omlaag op de plafondlift reageren wel.	Handbediening is niet goed aangesloten	Controleer de stekker van de handbediening. Raadpleeg 4.4 <i>De stekker van de handbediening aansluiten, pagina 77.</i>
	Handbediening defect	Vervang de handbediening.
Tilbanden schuiven alleen omlaag en niet omhoog.	Accu is bijna leeg	Laad de accu of gebruik de noodaccu. Raadpleeg 5.5 <i>De accu laden, pagina 79.</i>
	Lading is te zwaar	Verminder de last. De tillift is voorzien van een veiligheidssysteem voor stroompieken.
Tilbanden schuiven alleen omhoog en niet omlaag.	Handbediening defect	Vervang de handbediening.
	Functie voor losse band is geactiveerd	Neem voor onderhoud contact op met uw Invacare-vertegenwoordiger of gespecialiseerde dealer.
Plafondliftsnelheid is met en zonder belasting dezelfde.	Functie voor snelle verplaatsing zonder belasting is permanent ingeschakeld	Neem voor onderhoud contact op met uw Invacare-vertegenwoordiger of gespecialiseerde dealer.
Tilbanden zijn verdraaid en trekken niet recht.	Bevestigingshaken draaien niet vrij genoeg	Reinig of vervang de haken. Neem voor onderhoud contact op met uw Invacare-vertegenwoordiger of gespecialiseerde dealer.
	Banden zijn gerafeld	Neem contact op met uw Invacare-vertegenwoordiger of gespecialiseerde dealer om de banden te vervangen.
Plafondlift glijdt niet in de rails.	Rails zijn toe aan onderhoudsbeurt of reiniging	Neem voor onderhoud contact op met uw Invacare-vertegenwoordiger of gespecialiseerde dealer.
	Trolley is versleten of beschadigd (alleen Robin™)	Trolley moet worden vervangen. Neem voor onderhoud contact op met uw Invacare-vertegenwoordiger of gespecialiseerde dealer.
	Aandrijfwielen zijn versleten of beschadigd (alleen Robin® Mover)	Aandrijfwielen moeten worden versteld. Neem voor onderhoud contact op met uw Invacare-vertegenwoordiger of gespecialiseerde dealer.
	Handbediening defect (alleen Robin® Mover)	Vervang de handbediening.
Plafondlift maakt veel lawaai tijdens inschakeling.	Lagers, tandwielen of motor zijn defect	De tillift moet worden vervangen. Neem voor onderhoud contact op met uw Invacare-vertegenwoordiger of gespecialiseerde dealer.

SYMPTOMEN	PROBLEEM	OPLOSSING
Plafondlift laadt niet	Systeem wordt niet van stroom voorzien	Controleer of het apparaat is ingeschakeld en aangesloten op het laadstation.
		Neem voor onderhoud contact op met uw Invacare-vertegenwoordiger of gespecialiseerde dealer.
Geen indicatorlampje op tillift	Systeem is niet op stroomvoorziening aangesloten of de accu is leeg	Controleer of de plafondlift van stroom wordt voorzien en of de accu is geladen.
		Plaats de handbediening in het laadstation en laad de plafondlift.
De plafondlift wordt niet uitgeschakeld door het trekken aan het noodstopkoord.	Plafondlift is toe aan een onderhoudsbeurt	Neem voor onderhoud contact op met uw Invacare-vertegenwoordiger of gespecialiseerde dealer.
Het noodstopkoord zorgt er niet voor dat de plafondlift zakt.	Plafondlift is toe aan een onderhoudsbeurt	Neem voor onderhoud contact op met uw Invacare-vertegenwoordiger of gespecialiseerde dealer.

 Als de bovengenoemde remedies niet leiden tot oplossing van de problemen, neemt u voor onderhoud contact op met een Invacare-vertegenwoordiger of gespecialiseerde dealer.

10 Technische Specificaties

10.1 Afmetingen en gewicht




Afmetingen

	Robin®	Robin® Mover
Lengte tillift (A)	470 mm	470 mm
Breedte tillift (B)	250 mm	250 mm
Hoogte tillift (C)	203 mm	266 mm
Maximaal tilbereik (D)	2,5 m	2,5 m

Gewichten

	Robin®	Robin® Mover
Maximaal tilvermogen (veilig belastbaar vermogen)	200 kg	200 kg
Totaal gewicht zonder draagband	7,3 kg	10 kg

10.2 Elektrisch systeem

	Robin®	Robin® Mover
Maximale ingangsstroom	0,9 A	
Beschermingsklasse ¹	Geheel apparaat: IPx4 (plafondlift: IP24; handbediening: IP44)	
Isolatieklasse	Klasse II-apparaat Type B-apparaat	
	Toegepast onderdeel voldoet aan de opgegeven vereisten voor bescherming tegen elektrische schokken in overeenstemming met IEC60601-1.	
Geluidsniveau	50 – 55 dB (A)	
Aantal tilbeurten per accuvermogen	65 tilbeurten van 0,5 m met 80 kg	
Met onderbrekingen (periodieke motorfunctie)	10%, max. 2 min. / 18 min.	

	Robin®	Robin® Mover
Accu	NiMH-accu 24 V/1,9 Ah	
Oplaadtijd	Maximaal 3 uur bij 20 °C	
Tiilsnelheid met een belasting van 200 kg	2,1 cm/s	2,1 cm/s
Traverse snelheid in de rail	n.v.t.	14 cm/s

Lader


Uitgangsspanning	Tijdens opladen: 25 – 36 V DC Zonder belasting: 41 V DC
Ingangsspanning	100 – 240 V AC, 50 – 60 Hz
Beschermingsklasse ¹	IP41 of IP67 (afhankelijk van de versie)

¹ Raadpleeg het productlabel en het label op elk elektrisch apparaat voor de juiste beschermingsklasse. De laagste IP-classificatie is bepalend voor de algehele classificatie van het apparaat.

- IPx4: beschermd tegen opspattend water vanuit een willekeurige richting.
- IP24: beschermd tegen voorwerpen groter dan 12,5 mm en opspattend water vanuit een willekeurige richting.
- IP44: beschermd tegen voorwerpen groter dan 1 mm en opspattend water vanuit een willekeurige richting.
- IP41: beschermd tegen voorwerpen groter dan 1 mm en druppelend water.
- IP67: stofdicht en beschermd tegen tijdelijke onderdompeling in water.

10.3 Voorwaarden voor de gebruiksomgeving

	Opslag en transport	Bediening
Temperatuur	-30°C tot +50°C	+5°C tot +40°C
Relatieve luchtvochtigheid	10% tot 70%	20% tot 90% bij 30 °C, niet-condenserend
Atmosferische druk	700 hPa tot 1060 hPa	

 Laat het product vóór gebruik op bedrijfstemperatuur komen:

- Na opslag bij de minimale opslagtemperatuur kan het tot 24 uur duren voordat het product is opgewarmd.
- Na opslag bij de maximale opslagtemperatuur kan het tot 24 uur duren voordat het product is afgekoeld.

11 Elektromagnetische compatibiliteit (EMC)

11.1 Algemene informatie over EMC

Elektrische medische apparatuur moet worden geïnstalleerd en gebruikt in overeenstemming met de EMC-informatie in deze handleiding.

Tests hebben uitgewezen dat dit product voldoet aan de EMC-richtlijnen volgens IEC/EN 60601-1-2 voor apparatuur van klasse B.

Draagbare en mobiele RF-communicatieapparatuur kan de werking van dit product beïnvloeden.

Bij andere apparaten kan er al van interferentie sprake zijn bij zeer lage elektromagnetische straling, zelfs als wordt voldaan aan bovengenoemde richtlijnen. Om te kunnen bepalen of emissie uit dit product de oorzaak is van de interferentie, schakelt u het product in en weer uit. Als er bij uitschakeling van dit product geen interferentie meer optreedt, is het product de oorzaak van de interferentie. In dit soort zeldzame gevallen kunt u het volgende doen om de interferentie te verminderen of te stoppen:

- Draai of verplaats het product, of vergroot de afstand tussen de apparaten.

11.2 Elektromagnetische straling

Richtlijn en verklaring van de fabrikant

Dit product is bedoeld voor gebruik in een elektromagnetische omgeving zoals hieronder aangegeven. De klant of de gebruiker van dit product moet zeker stellen dat dit in een dergelijke omgeving wordt gebruikt.


RF-emisietest	Naleving	Elektromagnetische omgeving – richtlijn
RF-emissies CISPR 11	Groep I	Dit product gebruikt elektromagnetische energie uitsluitend voor de interne functies. Daardoor zijn de RF-emissies zeer laag en veroorzaken deze hoogstwaarschijnlijk geen interferentie in nabije apparaten.
RF-emissies CISPR 11	Klasse B	Dit product is geschikt voor gebruik in alle situaties, inclusief thuishituaties en overal waar het openbare laagspanningsnet de stroom levert voor huishoudelijke doeleinden.
Harmonische emissies IEC 61000-3-2	Klasse A	
Spanningsfluctuaties/ flikkeremissies IEC 61000-3-3	Voldoet	


11.3 Elektromagnetische immuniteit

Richtlijn en verklaring van de fabrikant

Dit product is bedoeld voor gebruik in een elektromagnetische omgeving zoals hieronder aangegeven. De klant of de gebruiker van dit product moet zeker stellen dat dit in een dergelijke omgeving wordt gebruikt.

Immuniteitstest	Testniveau/ mate van overeenkomst	Elektromagnetische omgeving– richtlijn
Elektrostatische ontlading (ESD) IEC 61000-4-2	± 8 kV contact ± 2 kV, ± 4 kV, ± 8 kV, ± 15 kV lucht	Vloeren moeten van hout, beton of tegels zijn. Als vloeren zijn bekleed met synthetische vloerbedekking, moet de relatieve vochtigheid minstens 30% bedragen.
Elektrostatische transiënt/ burst IEC 61000-4-4	± 2 kV voor stroomtoevoerkabels; 100 kHz herhaalfrequentie ± 1 kV voor input-/outputkabels; 100 kHz herhaalfrequentie	De kwaliteit van de netstroom moet overeenkomen met die van een commerciële omgeving of ziekenhuisomgeving.
Overspanning IEC 61000-4-5	± 1 kV kabel naar kabel ± 2 kV kabel naar aarde	De kwaliteit van de netstroom moet overeenkomen met die van een commerciële omgeving of ziekenhuisomgeving.

Immunitiestest	Testniveau/ mate van overeenkomst	Elektromagnetische omgeving- richtlijn
Spanningsdips, korte onderbrekingen en spanningsvariëaties op stroomtoevoerkabels IEC 61000-4-11	< 0% U_T gedurende 0,5 cyclus in stappen van 45° 0% U_T gedurende 1 cyclus 70% U_T gedurende 25/30 cycli < 5% U_T gedurende 250/300 cycli	De kwaliteit van de netstroom moet overeenkomen met die van een commerciële omgeving of ziekenhuisomgeving. Als de gebruiker van dit product continue beschikbaarheid vereist gedurende netspanningsonderbrekingen, wordt aangeraden het product van voeding te voorzien met een noodstroomvoorziening (UPS, Uninterruptable Power Supply) of een accu. U_T is de netspanning vóór toepassing van de test.
Magnetisch veld van netstroomfrequentie (50/60 Hz) IEC 61000-4-8	30 A/m	Magnetische velden van de netspanningsfrequentie moeten op een niveau liggen dat kenmerkend is voor een typische commerciële omgeving of ziekenhuisomgeving.
Geleidings-RF IEC 61000-4-6 Stralings-RF IEC 61000-4-3	3 V 150 kHz - 80 Mhz 6 V binnen bandbreedtes voor ISM en amateurradio 10 V/m 80 Mhz - 2,7 GHz Zie tabel 9 van IEC 60601-1-2:2014 voor specificaties van de 385 MHz - 5785 MHz-test met betrekking tot immuniteit voor draadloze RF-communicatie-apparatuur.	De veldsterkte van vaste zenders, zoals basisstations voor draadloze telefonie, mobilofoons, amateurzenders, AM- en FM-radiozenders en tv-zenders kunnen theoretisch niet nauwkeurig worden voorspeld. Om de invloed van vaste RF-zenders op de elektromagnetische omgeving te bepalen, moet een elektromagnetisch veldonderzoek worden overwogen. Indien de gemeten veldsterkte op de locatie waar het product wordt gebruikt de eerdergenoemde toegestane elektromagnetische waarden overstijgt, moet dit product worden geobserveerd om normaal functioneren vast te stellen. Als abnormaal functioneren wordt geconstateerd, zijn wellicht extra maatregelen nodig, zoals het verdraaien of verplaatsen van het product. Interferentie kan optreden in de nabijheid van apparatuur met het volgende symbool:  Houd draagbare en mobiele RF-communicatieapparatuur op ten minste 30 cm van de onderdelen van dit product (inclusief kabels).


 Deze richtlijnen zijn mogelijk niet in alle omstandigheden van toepassing. Elektromagnetische straling wordt beïnvloed door absorptie en reflectie van gebouwen, objecten en mensen.

11.4 Testspecificaties met betrekking tot immuniteit voor draadloze RF-communicatieapparatuur

IEC 60601-1-2:2014 — tabel 9

Testfrequentie (MHz)	Band ^{a)} (MHz)	Service ^{a)}	Modulatie ^{b)}	Maximaal vermogen (W)	Afstand (m)	Testniveau immuniteit (V/m)
385	380 - 390	TETRA 400	Pulsmodulatie ^{b)} 18 Hz	1,8	0,3	27
450	430 - 470	GMRS 460, FRS 460	FM ^{c)} afwijking van ± 5 kHz sinus van 1 kHz	2	0,3	28

Testfrequentie (MHz)	Band ^{a)} (MHz)	Service ^{a)}	Modulatie ^{b)}	Maximaal vermogen (W)	Afstand (m)	Testniveau immuniteit (V/m)
710 745 788	704 - 787	LTE-band 13, 17	Pulsmodulatie ^{b)} 217 Hz	0,2	0,3	9
810 870 930	800 - 960	GSM 800/900, TETRA 800, iDEN 820, CDMA 850, LTE-band 5	Pulsmodulatie ^{b)} 18 Hz	2	0,3	28
1720 1845 1970	1700 - 1990	GSM 1800; CDMA 1900; GSM 1900; DECT; LTE-band 1, 3, 4, 25; UMTS	Pulsmodulatie ^{b)} 217 Hz	2	0,3	28
2450	2400 - 2570	Bluetooth, WLAN, 802.11 b/g/n, RFID 2450, LTE-band 7	Pulsmodulatie ^{b)} 217 Hz	2	0,3	28
5240 5500 5785	5100 - 5800	WLAN 802.11 a/n	Pulsmodulatie ^{b)} 217 Hz	0,2	0,3	9

 Indien nodig kunt u de afstand tussen de zendantenne en het medisch elektrische apparaat of systeem verkleinen tot 1 meter om het testniveau voor immuniteit te bereiken. Een testafstand van 1 meter is toegestaan volgens IEC 61000-4-3.

a) Voor bepaalde services worden alleen de uplinkfrequenties weergegeven.

b) De draaggolf wordt gemoduleerd via een blokgolf met een bedrijfscyclus van 50 %.

c) Als alternatief voor FM-modulatie kan een pulsmodulatie van 50 % bij 18 Hz worden gebruikt. Het gaat hierbij niet om echte modulatie, maar het weerspiegelt het worst-casescenario.

Innholdsfortegnelse

Denne bruksanvisning skal overleveres til sluttbrukeren. FØR du bruker dette produktet, MÅ du lese denne bruksanvisning og oppbevare den til senere referanse.

1 Generell informasjon	94
1.1 Innledning	94
1.2 Symboler i denne håndboken	94
1.3 Levetid	94
1.4 Ansvarsbegrensning	94
1.5 Garantiopplysninger	94
1.6 Samsvar	94
1.6.1 Produktspesifikke standarder	94
2 Sikkerhet	95
2.1 Generell sikkerhetsinformasjon	95
2.2 Sikkerhetsinformasjon på tilbehør	96
2.3 Sikkerhetsinformasjon om elektromagnetisk interferens	96
2.4 Merking og symboler på produktet	96
2.4.1 Plassering av etiketter	96
2.4.2 Identifikasjonsmerke	97
2.4.3 Andre etiketter og symboler	97
3 Produktoversikt	98
3.1 Tiltent bruk	98
3.2 Den takmonterte løfterens hoveddeler	98
3.3 Tilbehør	98
4 Montering	99
4.1 Innholdet i pakningen	99
4.2 Før bruk	99
4.3 Feste den takmonterte løfteren	99
4.4 Sette inn håndkontrollpluggen	99
5 Bruk	100
5.1 Generell sikkerhetsinformasjon	100
5.2 Generell driftsinformasjon	100
5.3 Bruke den takmonterte løfteren	100
5.4 Indikatorlampe og lydsignal	100
5.5 Lade batteriet	101
5.6 Bruke det eksterne reservebatteriet	101
5.7 Nødstop	101
5.8 Nødsenking	101
5.9 Nullstilling av nødstopet eller senkefunksjonen	102
6 Flytting av pasient	103
6.1 Generell sikkerhetsinformasjon	103
6.2 Feste løfteseilet	103
6.3 Informasjon om løfting	104
6.4 Løfte til og fra sittende stilling	104
6.5 Løfte til og fra liggende stilling	104
7 Vedlikehold	105
7.1 Generell vedlikeholdsinformasjon	105
7.2 Daglige inspeksjoner	105
7.3 Rengjøring og desinfisering	105
7.3.1 Generell sikkerhetsinformasjon	105
7.3.2 Rengjøringshyppighet	105
7.3.3 Rengjøringsanvisninger	105
7.3.4 Instruksjoner for desinfisering	106
7.4 Serviceintervall	106
7.4.1 LOLER Statement	106
7.5 Batterivedlikehold	106
8 Etter bruk	107
8.1 Transport og oppbevaring	107
8.2 Demontere den takmonterte løfteren	107
8.3 Avfallshåndtering	107
8.4 Overhaling	107
9 Feilsøking	108
9.1 Problemløsningsstabell	108
10 Tekniske Data	110
10.1 Dimensjoner og vekt	110
10.2 Elektrisk system	110
10.3 Miljøbetingelser	110
11 Elektromagnetisk kompatibilitet	111
11.1 Generell EMC-informasjon	111
11.2 Elektromagnetisk utslipp	111
11.3 Elektromagnetisk immunitet	111
11.4 Testspesifikasjoner for immunitet for trådløst RF-kommunikasjonsutstyr	112

1 Generell informasjon

1.1 Innledning

Denne bruksanvisningen inneholder viktig informasjon om hvordan produktet håndteres. Les bruksanvisningen nøye, og følg sikkerhetsinstruksjonene i den, slik at du kan bruke produktet på en trygg måte.

Vær oppmerksom på at det kan være deler av dette dokumentet som ikke er relevante for produktet ditt, ettersom dokumentet gjelder for alle tilgjengelige modeller (på trykkesidspunktet). Hvis ikke annet er angitt, viser hvert avsnitt i dette dokumentet til alle modeller av produktet.

Alle modeller og konfigurasjoner som er tilgjengelige for ditt land, står oppgitt i de landsspesifikke salgsdokumentene.

Invacare forbeholder seg retten til å endre produktspesifikasjoner uten forvarsel.

Før du leser dette dokumentet, må du forsikre deg om at du har den nyeste versjonen. Du finner den nyeste versjonen som en PDF-fil på Invacare-nettstedet.

Hvis skriftstørrelsen i den trykte versjonen av dokumentet er vanskelig å lese, kan du laste ned PDF-versjonen fra nettstedet. Deretter kan du skalere PDF-en, slik at skriftstørrelsen passer bedre for deg.

Hvis du ønsker mer informasjon om produktet, som f.eks. produktsikkerhetsmerknader og tilbakekalling av produkter, kan du kontakte din Invacare-representant. Se adresser nederst i dette dokumentet.

Dersom det skjer en alvorlig hendelse i tilknytning til produktet, bør du informere produsenten og de kompetente myndigheter i landet ditt.

1.2 Symboler i denne håndboken

Advarslene i denne bruksanvisningen er angitt med symboler. Advarselsymbolene ledsages av en overskrift som angir alvorlighetsgraden.



ADVARSEL

Angir en farlig situasjon som kan føre til alvorlig personskade eller død dersom den ikke unngås.



FORSIKTIG

Angir en farlig situasjon som kan føre til lettere skade dersom den ikke unngås.



VIKTIG

Angir en farlig situasjon som kan føre til skade på utstyr hvis den ikke unngås.



Tips og anbefalinger

Gir nyttige tips, anbefalinger og opplysninger når det gjelder effektiv og problemfri bruk.

1.3 Levetid

Forventet levetid for dette produktet er ti år når det brukes daglig i samsvar med instruksjonene om sikkerhet, vedlikehold og riktig bruk i denne håndboken. Den faktiske levetiden varierer etter brukens hyppighet og intensitet.

1.4 Ansvarsbegrensning

Invacare erkjenner ikke ansvar for skade som skyldes:

- Manglende overholdelse av instruksjonene i bruksanvisningen
- Feil bruk
- Naturlig slitasje
- Feilmontering utført av kjøperen eller en tredjepart
- Tekniske endringer
- Endringer som ikke er godkjent, og/eller bruk av uegnede reservedeler

1.5 Garantiopplysninger

Vi tilbyr en produsentgaranti for produktet i samsvar med våre generelle forretningsvilkår i det aktuelle landet.

Garantikrav kan bare rettes gjennom den aktuelle leverandøren av produktet.

1.6 Samsvar

Kvalitet er avgjørende for virksomheten til selskapet, som arbeider innenfor fagområdene i ISO 13485.

Dette produktet er CE-merket i samsvar med forskrift 2017/745 om medisinsk utstyr klasse 1. Lanseringsdatoen for dette produktet er oppgitt i CE-samsvarserklæringen.

Vi arbeider kontinuerlig for å sikre at selskapets påvirkning på miljøet – både lokalt og globalt – reduseres til et minimum.

Vi bruker kun materialer og komponenter som er i samsvar med REACH-forskriftene.

Vi overholder de gjeldende miljøregelverkene WEEE og RoHS.

1.6.1 Produktspesifikke standarder

Produktet er testet og i samsvar med ISO 10535 (personløftere til forflytning av funksjonshemmede) og alle relaterte standarder.

Kontakt din lokale Invacare-representant hvis du ønsker informasjon om tilgjengelig tilbehør. Se adresser på slutten av dette dokumentet.

2 Sikkerhet

2.1 Generell sikkerhetsinformasjon

Denne delen av håndboken inneholder generell sikkerhetsinformasjon om produktet. Mer detaljert sikkerhetsinformasjon finner du i de relevante delene av håndboken og i prosedyrene som der er beskrevet.



ADVARSEL!

Risiko for personskade eller skade på utstyr

- Du må ikke bruke dette produktet eller annet tilgjengelig ekstrautstyr hvis du ikke først har lest og forstått disse instruksjonene og eventuelt tilleggsmateriale, for eksempel bruksanvisninger eller instruksjonsdokumenter som følger med dette produktet eller ekstrautstyr. Hvis du har problemer med å forstå advarslene, forsiktighetsreglene eller instruksjonene, tar du kontakt med helsepersonell, en Invacare-leverandør eller en kvalifisert tekniker før du forsøker å bruke produktet.
- Foreta ikke endringer på produktet uten tillatelse.



ADVARSEL!

Maksimal arbeidslastkapasitet må ikke overskrides

- Ikke overskrid den maksimale arbeidslastkapasiteten til produktet eller eventuelt tilbehør, f.eks. løfteseil eller løftebøyler. Definert maksimal arbeidslast finner du i den medfølgende dokumentasjonen eller på merkingen.
- Komponenter med lavest arbeidslastkapasitet bestemmer hva som er den maksimale sikre arbeidslasten for hele systemet.



ADVARSEL!

Risiko for personskade eller skade på utstyr

- Feil bruk av produktet kan forårsake personskade og skade på utstyr.
- Ikke flytt pasienten uten godkjenning fra pasientens helsepersonell.
 - Les instruksjonene i denne bruksanvisningen og se hvordan faglært personell flytter pasienten. Øv deretter på flytteprosedyren under tilsyn og med en egnet person i rollen som pasient.
 - Vær spesielt oppmerksom på personer med funksjonshemminger som ikke kan samarbeide under selve løftet.
 - Det anbefales at den takmonterte løfteren kun brukes til å løfte eller flytte en pasient.
 - Den røde nødstoppen må justeres slik at pleieren kan nå den, og den må ikke fjernes.
 - Hvis bruk av løfteren mislykkes, senker du pasienten ned på en egnet overflate ved hjelp av den røde nødstoppen før du fortsetter forflytningen ved hjelp av en annen metode.



ADVARSEL!

Risiko for personskade eller skade på utstyr

- Feil håndtering av kabler kan føre til elektrisk støt og produktsvikt.
- Ikke knyt, kutt eller skad produktets ledninger på noen måte.
 - Sørg for at ingen kabler havner i klem eller blir skadet under bruk.
 - Forsikre deg om at ledningsføringen er korrekt og at tilkoblingene sitter godt.
 - Ikke bruk utstyr som ikke er godkjent.



ADVARSEL!

Risiko for personskade eller skade på utstyr

- For høy fuktighet skader produktet og kan føre til elektrisk støt.
- Personløfteren kan brukes i nærheten av bad eller dusj, men IKKE i selve dusjen. Pasienten må flyttes til en dusjstol eller et annet hjelpemiddel i dusjen.
 - Sørg for at all fuktighet tørkes av personløfteren etter bruk dersom den utsettes for fuktige omgivelser.
 - Ikke lad produktet i et fuktig miljø eller med våte hender.
 - Ikke oppbevar produktet i et fuktig område eller i fuktig tilstand.
 - Se 10.3 Miljøbetingelser, side 110



ADVARSEL!

Risiko for personskade eller skade på utstyr

- Tennkilder kan forårsake forbrenning eller brann.
- Flytting av pasient må utføres med en sikkerhetsavstand mellom personløfteren og potensielle tennkilder (ovn, komfyr, peis osv.)
 - Pasienten eller pleierne må ikke røyke under flyttingen.
 - Løfteseilet skal ikke plasseres over varmekilder (ovn, komfyr, peis osv.)



ADVARSEL!

Risiko for personskade eller skade på utstyr

- For å unngå personskade eller skade på utstyr ved bruk av produktet:
- Bruk i nærheten av barn eller kjæledyr krever nøye tilsyn.
 - Ikke la barn leke med produktet.



FORSIKTIG!

Risiko for personskade eller skade på utstyr

- Produktet kan bli varmt dersom det utsettes for sollys eller andre varmekilder.
- Ikke utsett produktet for direkte sollys i lengre perioder.
 - Hold produktet unna varmekilder.



VIKTIG!

- Oppsamling av lo, støv og annen skitt kan skade produktet.
- Hold produktet rent.



VIKTIG!

- Service på elektronikken skal kun utføres av en kvalifisert tekniker.
- Ikke ta av det øvre dekselet.

2.2 Sikkerhetsinformasjon på tilbehør



FORSIKTIG!

Skaderisiko

- Ikke-originalt eller feil tilbehør kan påvirke funksjonen og sikkerheten til dette produktet.
- På grunn av regionale forskjeller må du se ditt lokale Invacare-nettsted eller den lokale Invacare-katalogen for informasjon om tilgjengelig tilbehør. Alternativt kan du kontakte Invacare-leverandøren.
 - Se håndboken som leveres med tilbehøret, for ytterligere informasjon og instruksjoner.
 - Bruk bare originalt tilbehør for produktet som er i bruk. Under visse omstendigheter er bruk av løfteseil fra andre produsenter mulig. Se ytterligere informasjon i denne delen.
 - En risikovurdering må alltid foretas av kvalifisert personell før løfteutstyret tas i bruk. Oppgave, enkeltindivid, belastning, miljø og utstyr må tas i betraktning i risikovurderingen.
 - Velg alltid et løfteseil med en utforming og størrelse som er tilpasset pasientens vekt, størrelse og fysiske funksjonsevne samt typen forflytning som skal utføres.



FORSIKTIG!

Løfteseilenes kompatibilitet med festesystemet

- Invacare bruker et felles festesystem basert på kroker og løkker. Løkkene på løfteseilene festes til krokene på personløfteren. Derfor kan egnede løfteseil fra andre produsenter også brukes med denne personløfteren.
- Bruk kun løfteseil med løkkefester som er egnet for kroker som festepunkter.
 - Ikke bruk løfteseil som er utformet for nøkkelhull- eller klemmefestesystemer eller vipperammesystemer.

2.3 Sikkerhetsinformasjon om elektromagnetisk interferens



ADVARSEL!

Risiko for funksjonssvikt på grunn av elektromagnetisk forstyrrelse

- Elektromagnetisk forstyrrelse mellom dette produktet og annet elektrisk utstyr kan oppstå og forstyrre de elektriske justeringsfunksjonene for dette produktet. For å forhindre, redusere eller eliminere slik elektromagnetisk forstyrrelse:
- Bruk bare originalkabler, -tilbehør og -reservedeler for at elektromagnetisk utslipp ikke skal økes eller redusere dette produktets elektromagnetiske immunitet.
 - Ikke bruk bærbart, radiofrekvent (RF) kommunikasjonsutstyr nærmere enn 30 cm fra noen del av dette produktet (inkludert kabler).
 - Ikke bruk dette produktet i nærheten av høyfrekvent kirurgisk utstyr og RF-skjermet rom i et system for magnetisk resonansavbildning der det er høy intensitet i elektromagnetiske forstyrrelser.
 - Hvis det skjer forstyrrelser, øk avstanden mellom dette produktet og annet utstyr eller slå det av.
 - Se den detaljerte informasjonen og følg veiledningen i kapittel 11 *Elektromagnetisk kompatibilitet*, side 111



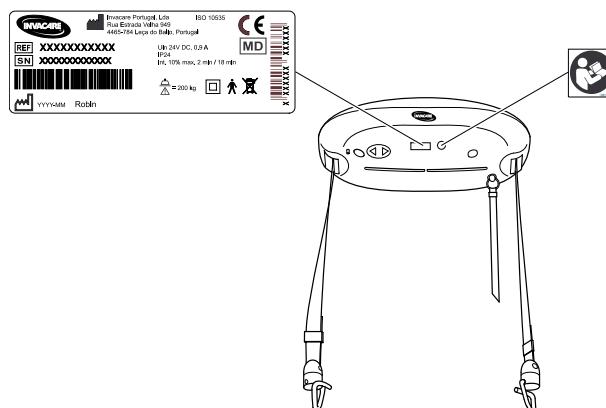
ADVARSEL!

Fare for feilfunksjon

- Elektromagnetisk interferens kan forårsake feil drift.
- Ikke bruk dette produktet ved siden av eller stablet med annet elektrisk utstyr. Hvis slik bruk er nødvendig, må dette produktet og annet utstyr observeres nøye for å kontrollere at de fungerer som de skal.

2.4 Merking og symboler på produktet

2.4.1 Plassering av etiketter










2.4.2 Identifikasjonsmerke



Identifikasjonsmerket inneholder hovedproduktinformasjonen, inkludert tekniske data.

Symboler

	Serienummer
	Referansenummer
	Produsent
	Produksjonsdato
	Maks. tillatt arbeidsbelastning
	Klasse II-utstyr


	Type B-kontakt del
	WEEE-samsvar
	EU
	Medisinsk utstyr

Forkortelser for tekniske data:

- lin = inngangsstrøm
- Uin = inngangsspenning
- Int. = intermittens
- AC = vekselstrøm
- Max = maksimum
- min = minutt(er)

Hvis du vil ha mer informasjon om tekniske data, kan du se *10 Tekniske Data, side 110*

2.4.3 Andre etiketter og symboler

	Se bruksanvisningen
---	---------------------

3 Produktoversikt

3.1 Tiltent bruk

En takmontert løfter er en batteridrevet forflytningsenhet som er utformet for å brukes innendørs ved normal temperatur og luftfuktighet.

Hvis produktet utsettes for kontinuerlig høy fuktighet, høy kondensasjon og korrosive stoffer (f.eks. klor- eller amoniakkgasser), kan produktet svekkes, og redusert levetid må forventes.

Vanlige løftescenarioer er:

- mellom en seng og rullestol
- til og fra toalettet
- ved senking eller løfting av pasienter ned på eller opp fra gulv

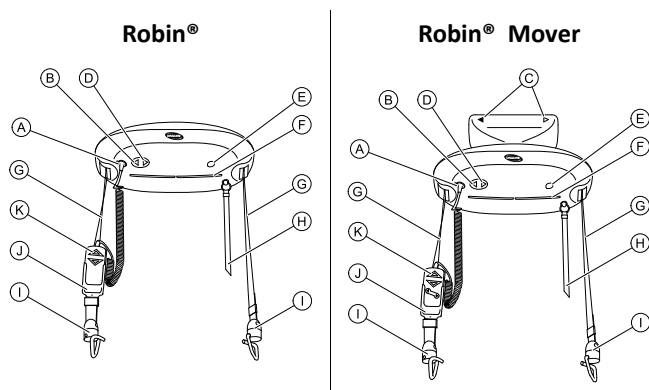
Maksimal tillatt arbeidsbelastning er oppgitt i *10 Tekniske Data, side 110*

Den takmonterte løfteren kan brukes til å forflytte og plassere pasienter med helt eller delvis nedsatt bevegelsesevne i det anbefalte skinnesystemet. All endring av posisjon er mulig uten hjelp fra pasienten.

Aktuelle personer for betjening av dette produktet er helsepersonell eller privatpersoner som har fått riktig opplæring.

Det er ingen kjente kontraindikasjoner forbundet med dette produktet.

3.2 Den takmonterte løfterens hoveddeler



Ⓐ	Tilkobling for håndkontroll
Ⓑ	OPP-kontrollknapp
Ⓒ	Retningspiler på Robin® Mover
Ⓓ	NED-kontrollknapp
Ⓔ	Tilkobling for eksternt reservebatteri
Ⓕ	Indikatorlampe
Ⓖ	Løftestropper
Ⓗ	Rød nødstrøpp
Ⓘ	Stroppekroker
Ⓙ	Holder for håndkontroll (tilbehør)
Ⓚ	Håndkontroll

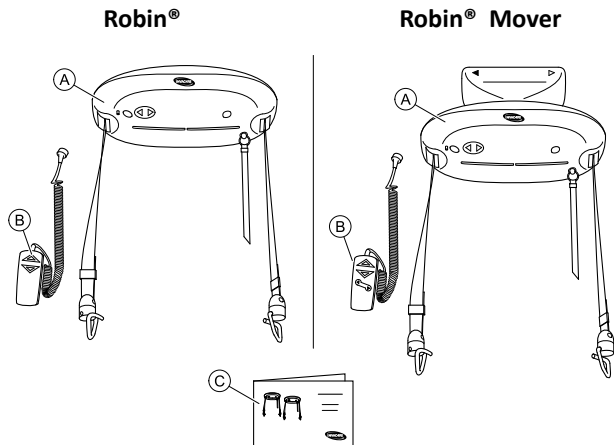
3.3 Tilbehør

i På grunn av regionale forskjeller må du se ditt lokale Invacare-nettsted eller den lokale Invacare-katalogen for detaljer om tilgjengelig tilbehør. Alternativt kan du kontakte Invacare-leverandøren.

- 2- og 4-punkts løftebøyle inkludert fleksiskopversjon
- Båre for horisontale løft
- Vekt inkludert løftebøyle
- Holder for håndkontroll
- Batterilader
- Ladersett (lader og holder for håndkontroll)
- Forlengelsesstropper og skjøteledninger for håndkontroll
- Eksternt reservebatteri
- Lader for eksternt reservebatteri
- Løfteseilmodeller for "slynge- og kleshengerbøylesystem":
 - Løfteseil med helkroppsstøtte – uten hodestøtte
 - Løfteseil med helkroppsstøtte – med hodestøtte
 - Løfteseil for påkledning/kroppstell – med eller uten hodestøtte
- Løfteseil for amputerte pasienter
- Løfteseil for gåtreening

4 Montering

4.1 Innholdet i pakningen



- (A) Takmontert løfter inkludert to løftestropper med kroker og en nødstrøpp. Robin® Mover inkluderer også løpekatten.
- (B) Håndkontroll
- (C) Bruksanvisning

4.2 Før bruk



FORSIKTIG!

- Den takmonterte løfteren er ikke beregnet på bruk sammen med ELEKTROMEDISINSK UTSTYR.

Før første gangs bruk må alle funksjonene til løftersystemet inspiseres av spesialiserte serviceteknikere.

Utfør en visuell inspeksjon av den takmonterte løfteren. Dersom emballasjen er skadet ved ankomst, må den takmonterte løfterens deler undersøkes grundig for synlige skader eller defekter. Hvis det er mistanke om skade, skal den takmonterte løfteren ikke brukes før spesialiserte serviceteknikere har godkjent den.

Nødstoppet aktiveres under transport. Nullstill nødstoppet før første gangs bruk. Se 5.9 Nullstilling av nødstoppet eller senkefunksjonen, side 102

Det er mulig at løfterens batteri er utladet på grunn av selvutladning. Lad løfterens batteri før første gangs bruk. Se 5.5 Lade batteriet, side 101

4.3 Feste den takmonterte løfteren

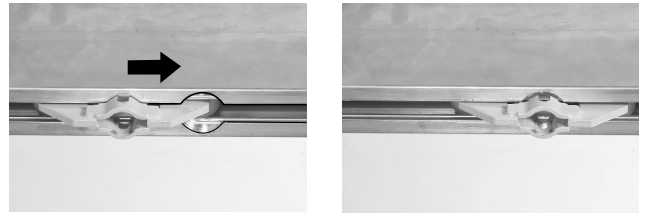
Den takmonterte løfteren må være montert i et skinnesystem for å kunne brukes. Skinnesystemet må være montert og godkjent i henhold til EN 10535 av en spesialisert forhandler eller spesialisert servicetekniker.

Montere Robin®

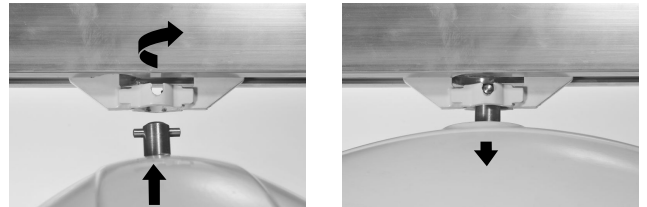
Robin® krever en løpekatt som holder den takmonterte løfteren i skinnesystemet. Løpekatten må forhåndsmonteres av en spesialisert forhandler eller servicetekniker.

Den takmonterte løfteren festes til løpekatten på følgende måte:

1. Plasser løfterløpekatten ved den runde fordypningen på \varnothing 32 mm (diameter) i skinnen.



2. Hev løfteren og skyv opphengsbolten gjennom løpekattåpningen.
3. Vri løfteren 90 grader for å feste den i løpekatten.



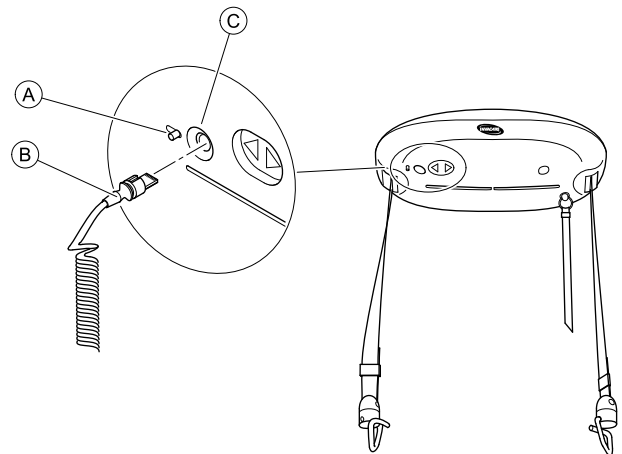
4. Juster lengden på nødstoppet/senkebåndet til innenfor brukerens rekkevidde.

Montere Robin® Mover

Robin® Mover er en takmontert løfter med løpekatten allerede påfestet. Løpekatten kan derfor ikke forhåndsmonteres i skinnesystemet.

Den takmonterte løfteren må monteres av en spesialisert forhandler eller servicetekniker.

4.4 Sette inn håndkontrollpluggen



1. Skyv og hold låsespaken (A) vekk fra åpningen (C). En port i åpningen åpnes.
2. Sørg for at pluggen (B) er vendt i riktig retning med sporet opp (se bilde). Sett pluggen i åpningen.
3. Slipp opp spaken, slik at porten lukkes, og hold pluggen i åpningen.

Fjerne håndkontrollpluggen

1. Skyv og hold låsespaken (A) vekk fra åpningen (C).
2. Dra pluggen (B) ut av åpningen.
3. Slipp opp spaken.

5 Bruk

5.1 Generell sikkerhetsinformasjon



ADVARSEL!

Risiko for personskade eller skade på utstyr

Før du bruker personløfteren med en pasient, må du se følgende sikkerhetsinformasjon og -instruksjoner:

- 2 Sikkerhet, side 95
- 6 Flytting av pasient, side 103

5.2 Generell driftsinformasjon



FORSIKTIG!

Hvis løftestroppene føres inn i løfteren på feil måte (f.eks. dersom stroppene vris), vil den takmonterte løfteren automatisk slå seg av.

- Hold stroppene rette for å sikre at de føres inn i løfteren på riktig måte. Stroppene holdes stramme av vekten til krokene.
- Hold stroppene fritt opphengt når løfteren uten belastning løftes/senkes.

Hvis en bruker utilsiktet setter fast hånden i løftestroppen under løfting, vil løfteren automatisk slå seg av. Løfteren stopper umiddelbart når en hånd kommer i kontakt med stroppens inngangsdeler.

- Hold hendene borte fra stroppens inngangsdeler under løfting.



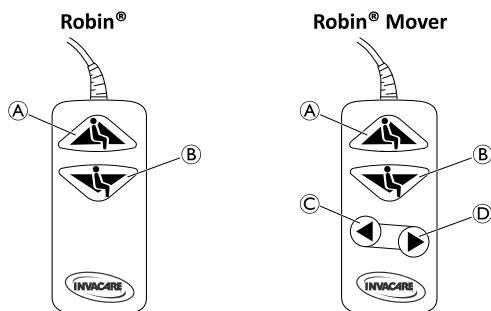
FORSIKTIG!

Håndkontrollen er beskyttet mot vannsprut (IPX4). Lengre kontakt med vann vil skade håndkontrollen.

- Ikke senk håndkontrollen i væsker, selv for en kort tidsperiode.
- Unngå kontakt med vann eller andre væsker.

5.3 Bruke den takmonterte løfteren

Den takmonterte løfteren kommer i driftsmodus så snart en knapp på håndkontrollen trykkes inn.



Løfte og senke stroppene



Når den takmonterte løfteren ikke er bærer vekt, løfter/senker den med høy hastighet. Når den lastes med mer enn 10 kg, blir løfte-/senkehastigheten automatisk redusert til et trygt nivå.

1. Stroppene heves ved å trykke på OPP-knappen (A) på håndkontrollen.
2. Stroppene senkes ved å trykke på NED-knappen (B) på håndkontrollen.



Den takmonterte løfteren kan også betjenes ved å trykke på OPP- og NED-knappen på løfterens underside.

Flytte Robin® sidelengs langs sporet

1. Bruk de to løftestroppene til å dra den takmonterte løfteren langs sporet.



IKKE bruk den røde nødstoppen til å flytte den takmonterte løfteren sidelengs.

Flytte Robin® Mover sidelengs langs sporet

1. Gjør ett av følgende:

- Løfteren bærer vekt: Trykk på VENSTRE-knappen (C) eller HØYRE-knappen (D) på håndkontrollen for å flytte den takmonterte løfteren sidelengs langs sporet.
- Løfteren bærer ikke vekt: Bruk de to løftestroppene til å dra løfteren langs sporet.



IKKE bruk den røde nødstoppen til å flytte den takmonterte løfteren sidelengs.

Det er ikke mulig å aktivere både flytting sidelengs og løfte-/senkefunksjonen samtidig. Når funksjonen for flytting sidelengs er aktivert, er den blå indikatorlampen nederst på løfteren av. Se 5.4 Indikatorlampe og lydsignal, side 100

5.4 Indikatorlampe og lydsignal

Løfter

Status	Indikatorlampe	Lydsignal
Av/ventemodus Løfteren flyttes sidelengs (kun Robin® Mover)	Av	Nei
Løfteren er i bruk (opp/ned)	Blå	Nei
Lavt batterinivå	Blinker blått	Ja


Den blå indikatorlampen på undersiden av løfteren slår seg av automatisk etter 30 sekunder.

Veggmontert lader


Status	Indikatorlampe	Varighet
Batteri ikke tilkoblet	Gul	i/a
Initialisering og analyse av batteri	Gul	12–14 sekunder
Hurtigopplading	Rød	5 min – 3 timer
Ladet (vedlikeholdslading)	Grønn	i/a
Feiltilstand (batterifeil)	Vekslede rød og grønn	i/a

5.5 Lade batteriet

Hvis ladestatusen blir lav, avgis en hørbar indikator og indikatorlampen på undersiden av den takmonterte løfteren blinker (se også 5.4 Indikatorlampe og lydsignal, side 100). Når dette skjer, er det vanligvis nok strøm til å senke pasienten.

 Det er ikke mulig å bruke løfteren når batteriet lades.

1. Fullfør det aktuelle pågående løftet
Dersom det aktuelle pågående løftet utlader batteriet helt, kan et eksternt reservebatteri brukes til å drive løfteren midlertidig. Se 5.6 Bruke det eksterne reservebatteriet, side 101
2. Flytt den takmonterte løfteren til ladestasjonen.
3. Sett håndkontrollen i ladestasjonen og lad opp den takmonterte løfteren
4. Sett håndkontrollen i ladestasjonen.
En gul indikatorlampe på laderen indikerer at håndkontrollen er koblet til. Indikatorlampen lyser rødt under lading.
5. Når batteriet er fulladet, lyser indikatorlampen på laderen grønt.
Så lenge den takmonterte løfteren ikke er i bruk, lar du håndkontrollen være i ladestasjonen.
6. Hvis du skal bruke den takmonterte løfteren, fjerner du håndkontrollen fra laderen.

 Ved å holde batteriene oppladet garanteres løfterens funksjonalitet, mens batteriet holdes ved like slik at det får en lang levetid.


Hvis lydindikatoren piper og den blå indikatoren på løfteren blinker når løfteren har blitt fulladet og bare har vært i bruk en kort tidsperiode, er det mulig at batteriet må lades ut og lades opp igjen, eller at det må byttes ut. Se 7.5 Batterivedlikehold, side 106

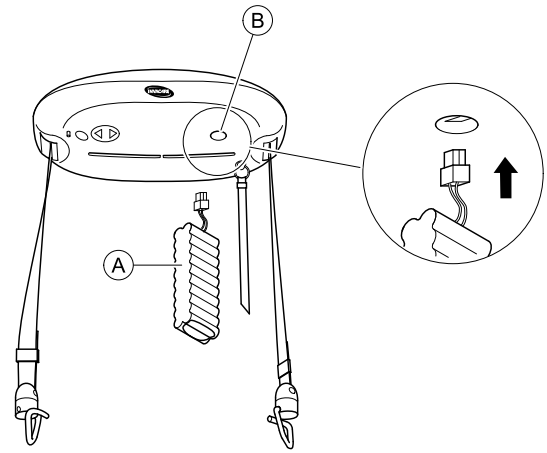
Dersom den takmonterte løfteren ikke skal brukes på mer enn 4 uker, anbefaler Invacare å koble fra laderen og dra i nødstoppet.

Laderen kobles til strømmettet med en strømplugg. Sørg for at strømpluggen er tilgjengelig og kan kobles fra ved behov.

5.6 Bruke det eksterne reservebatteriet

Hvis den takmonterte løfteren må brukes umiddelbart med batteriet utladet, kan et eksternt reservebatteri brukes.

 Bruk det eksterne reservebatteriet bare unntaksvis, og når det er absolutt nødvendig. Det eksterne reservebatteriet er tilgjengelig som tilbehør.



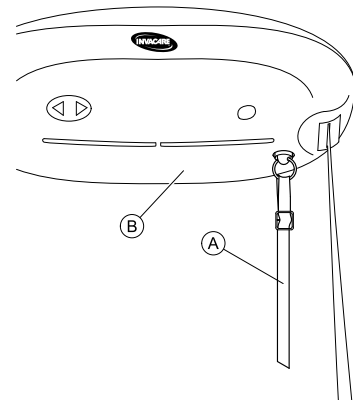
1. Sett inn pluggen til det eksterne reservebatteriet (A) i åpningen (B) på løfterens underside. Det eksterne reservebatteriet skal henge fritt under pasientflytting.
2. Betjen den takmonterte løfteren som beskrevet i kapittel 5.3 Bruke den takmonterte løfteren, side 100
3. Lad opp det eksterne reservebatteriet for å ha det fulladet for neste gangs bruk.

Slik lader du det eksterne reservebatteriet:

1. Sett pluggen i ladekontakten (en spesiell adapter er nødvendig).
2. LED-lampen lyser grønt for å indikere at enheten er fulladet (omtrentlig ladetid 2 timer).

5.7 Nødstop

Nødstoppsfunksjonen brukes til å stoppe senking eller løfting av pasienten dersom den takmonterte løfteren ikke stopper eller ikke reagerer på håndkontrollen.



1. Dra i og slipp opp den røde nødstoppen (A) på undersiden av løfteren (B) for å aktivere nødstoppet. Den takmonterte løfteren stopper alle løfte eller senkebevegelser umiddelbart.

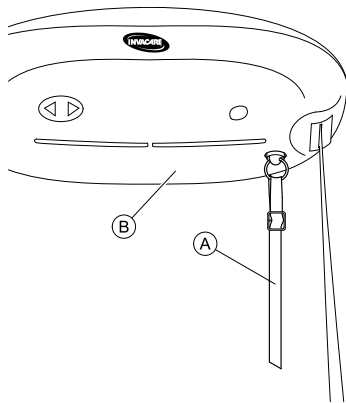


VIKTIG!

Når den røde nødstoppen har blitt dratt i, blir løftefunksjonene, inkludert endestoppet, deaktivert. Den blå indikatorlampen slukkes.
– Løftefunksjonene aktiveres igjen ved å nullstille nødstoppet. Se 5.9 Nullstilling av nødstoppet eller senkefunksjonen, side 102

5.8 Nødsenking

Nødsenkingsfunksjonen brukes til å senke pasienten bare hvis løfteren har sluttet å virke.



1. Dra i og hold den røde nødstoppen ① på undersiden av løfteren ② for å senke pasienten. Fortsett å dra helt til pasienten er senket til en sikker posisjon.
2. Slipp opp den røde nødstoppen for å stoppe senking av pasienten.

! VIKTIG!

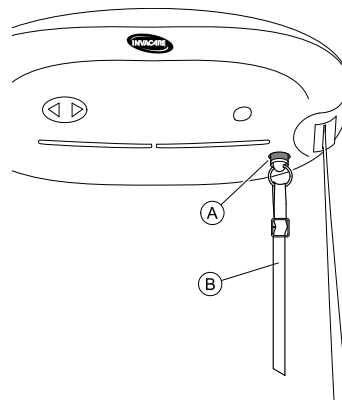
- Når den røde nødstoppen har blitt trukket i, vil heisfunksjonene deaktiveres og den blå indikatorlampen slår seg av.
 - Trekk i den røde nødstoppen bare frem til pasienten er senket til en sikker posisjon.
 - Løftefunksjonene aktiveres igjen ved å nullstille nødstoppen. Se 5.9 Nullstilling av nødstoppet eller senkefunksjonen, side 102

5.9 Nullstilling av nødstoppet eller senkefunksjonen



ADVARSEL!

- Hvis nødstoppet eller nødsenkning må brukes, er det et problem med systemet. Kontakt forhandleren eller Invacare-representanten for å bestille service før du bruker systemet igjen.



Når den røde nødstoppen ② har blitt dratt i, spretter nullstillingsknappen ① ut slik at en rød ring vises. Løfteren vil ikke fungere før nødstoppet eller senkefunksjonen er nullstilt.

1. Trykk på nullstillingsknappen ① for å nullstille nødstoppet eller senkefunksjonen.
2. Aktiver håndkontrollen for å gjenoppta bruk av løfteren.

6 Flytting av pasient

6.1 Generell sikkerhetsinformasjon



ADVARSEL!

Risiko for personskade eller skade på utstyr

Feil bruk av produktet kan forårsake personskade og skade på utstyr.

- Før du flytter pasienten til et stasjonært objekt (rullestol, seng, toalettstol eller annen overflate), må du kontrollere at objektets vektkapasitet kan tåle pasientens vekt.
- Hvis det er aktuelt, må bremsene på det stasjonære objektet (rullestol, seng osv.) aktiveres før pasienten senkes ned på objektet eller løftes av.



ADVARSEL!

Risiko for personskade eller skade på utstyr

Skade på deler av løfteren som skyldes støt mot gulv, vegger eller andre stasjonære objekter, kan skade produktet og føre til personskade.

- Deler av personløfteren må ikke støte mot gulv, vegger eller andre stasjonære objekter.
- Håndkontrollen må alltid oppbevares på forsvarlig måte når den ikke er i bruk.



ADVARSEL!

Skaderisiko

Det er risiko for skade på pasienten og pleieren som følge av løsthengende kroker eller håndkontrollen.

- Vær alltid oppmerksom på plasseringen av krokene og håndkontrollen under løfteprosedyrer.



ADVARSEL!

Klemfare / fare for kvelning

Objekter i pasientens omgivelser kan forårsake klemming/kvelning under løfting. Slik unngår du klemming og/eller kvelning:

- Før du begynner å løfte, må du kontrollere at pasienten ikke er festet til noe i omgivelsene sine.
- Du må passe på at håndkontrollledningen eller løftestroppene ikke vikles rundt pasienten eller pleiepersonellet.



ADVARSEL!

Klemfare

Det er fare for klemming mellom krokene og løfteseilet samt mellom krokene og krokhuset.

- Vær forsiktig når du løfter.
- Plasser aldri hender eller fingre på eller i nærheten av krokene når du løfter.
- Sørg for at pasientens hender og fingre holder avstand til krokene før løfting.



VIKTIG!

Alle flytteprosedyrer som er beskrevet nedenfor, kan utføres av én (1) pleier. Invacare anbefaler imidlertid at prosedyrene utføres av to (2) pleiere når det er mulig.

6.2 Feste løfteseilet



ADVARSEL!

Skaderisiko

Bruk av feil eller skadet løfteseil kan føre til at pasienten faller, eller til at pleiepersonell skades.

- Bruk et Invacare-godkjent løfteseil som anbefales av pasientens lege, sykepleier eller medisinsk pleiepersonell, av hensyn til brukerens komfort og sikkerhet.
- Invacares løfteseil- og personløftertilbehør er utviklet spesielt for bruk sammen med Invacares personløftere.
- Kontroller løfteseilet nøye etter hver vask (i samsvar med vaskeanvisningene for løfteseilet) med tanke på slitasje, rifter og løse sømmer.
- Løfteseil som er bleket, revet, oppskåret, frynset eller ødelagt, er utrygge å bruke og kan føre til skade. Må kastes umiddelbart.
- IKKE foreta endringer på løfteseilene.



ADVARSEL!

Skaderisiko

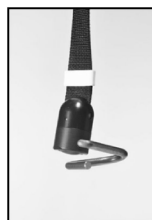
Løfteseil som er festet eller justert feil, kan føre til at pasienten faller, eller til at pleiepersonell skades.

- Kontroller løfteseilfestene hver gang løfteseilet tas av og settes på, slik at du er sikker på at det er forsvarlig festet før pasienten løftes bort fra det stasjonære objektet (seng, stol eller toalettstol).
- IKKE bruk inkontinensputer eller seteputer av plast mellom pasienten og løfteseilmaterialet som kan føre til at pasienten glir ut av løfteseilet under overføringen.
- Plasser pasienten i løfteseilet i samsvar med anvisningene for løfteseilet.
- Alle sikkerhets- og komfortjusteringer må utføres før pasienten flyttes.

Informasjonen i denne delen er kun en generell retningslinje. Mer detaljert informasjon om løfteseil finner du i bruksanvisningen for løfteseilet.

Det skal brukes et løfteseil med fire til seks stropper utformet for montering på kroker, sammen med den takmonterte løfteren.

Løfteseilets løkker kan være utstyrt med fargekodete stropper i ulike lengder, for plassering av pasienten i forskjellige stillinger. Plasser stroppene på hver side av løfteseilet slik at fargene korresponderer, for å sikre at pasienten løftes jevnt.



Løfteseilstroppene skal hektes i par (én fra baksiden og én fra benet) på en egen opphengskrok.



Når du fester løfteseilet til krokene og stroppene er vridd, vil stroppene rotere og strekkes ut, noe som sikrer problemfri bruk.

6.3 Informasjon om løfting



ADVARSEL!

- Løfteren skal bare brukes av personell som har fått opplæring i riktig bruk av løfteutstyret og festing av løfteseil.
- Planlegg forflytningen. Unngå å forlate brukeren i løfteseilet uten tilsyn.
 - Den takmonterte løfteren løfter raskt. Før du begynner å løfte, må du kontrollere at brukeren ikke kan sette seg fast i eller støte borti noe.
 - Pasientens kroppsdeler skal ikke kunne sette seg fast.
 - Kontroller at den røde nødstoppen, håndkontrollen og håndkontrollkabelen er frigjort fra løftestroppene, klienten og andre gjenstander, før den takmonterte løfteren aktiveres og beveges opp eller ned.
 - Når den takmonterte løfteren brukes på riktig måte, skal brukeren bare løftes høyt nok til at hun eller han er fri fra underlaget, og flyttes i denne høyden.

6.4 Løfte til og fra sittende stilling



Følg denne fremgangsmåten når du løfter en pasient fra sittende stilling (rullestol, toalettstol osv.).

1. Flytt den takmonterte løfteren sidelengs langs sporet mot pasienten som skal løftes.
2. Plasser opphengskrokene i samme høyde som pasientens bryst og ikke nærmere enn til midt på låret.
3. Plasser opphengskrokene slik at de er parallelle med pasientens skuldre.
4. Plasser pasienten i løfteseilet. Se bruksanvisningen for løfteseilet.
5. Fest løfteseilet til opphengskrokene. Se 6.2 Feste løfteseilet, side 103

6.5 Løfte til og fra liggende stilling



Følg denne fremgangsmåten når du løfter en pasient fra liggende stilling.

1. Flytt den takmonterte løfteren sidelengs langs sporet mot pasienten som skal løftes.
2. Plasser opphengskrokene over pasienten som skal løftes.
3. Juster opphengskrokene på nivå med pasientens skuldre.
4. Plasser pasienten i løfteseilet. Se bruksanvisningen for løfteseilet.
5. Hev hodeenden på sengen, slik at brukeren sitter.
6. Fest løfteseilet til opphengskrokene. Se 6.2 Feste løfteseilet, side 103

7 Vedlikehold

7.1 Generell vedlikeholdsinformasjon



FORSIKTIG!

Risiko for personskade eller skade på utstyr

- Ikke utfør noen service- eller vedlikeholdsprosedyrer mens produktet er i bruk.

Følg vedlikeholdsprosedyrene som er beskrevet i denne håndboken for å sikre at produktet kan holdes i kontinuerlig drift.

Ytterligere vedlikehold- og inspeksjonsprosedyrer som skal utføres av en kvalifisert tekniker, er beskrevet i servicehåndboken for dette produktet. Servicehåndbøker kan fås fra Invacare.

7.2 Daglige inspeksjoner



ADVARSEL!

Risiko for personskade eller skade på utstyr

- Skadde eller slitte deler kan påvirke personløfterens sikkerhet.
- Personløfteren må kontrolleres hver gang den skal brukes.
 - Ikke bruk personløfteren hvis det oppdages skader eller du er i tvil vedrørende sikkerheten til noen av personløfterens deler. Kontakt Invacare-leverandøren umiddelbart, og sørg for at personløfteren ikke brukes før reparasjoner er utført.

Sjekkliste for daglig inspeksjon

- Utfør en visuell inspeksjon av løfteseil, løftebøyle (ekstrautstyr), løftestropper og stroppekroker. Kontroller alle deler med tanke på skade eller slitasje.
- Kontroller nødstopppinnretningen og nødsenkingsfunksjonen. Kontroller alle deler med tanke på utvendig skade eller slitasje.
- Kontroller alle deler og festepunkter med tanke på skade eller slitasje. Kontroller alle deler med tanke på utvendig skade eller slitasje.
- Kontroller at håndkontrollen virker.
- Kontroller batteriladeren.
- Lad batteriet hver dag løfteren brukes.

7.3 Rengjøring og desinfisering

7.3.1 Generell sikkerhetsinformasjon



FORSIKTIG!

Fare for kontaminering

- Ta dine egne forholdsregler og bruk passende verneutstyr.



FORSIKTIG!

Fare for elektrisk støt og skade på produktet

- Slå av enheten og koble den fra nettet om aktuelt.
- Vurder verneklassen angående vanninntrenging når du rengjør elektroniske komponenter.
- Pass på at det ikke sprutes vann på støpselet eller stikkkontakten.
- Ikke ta i stikkkontakten med våte hender.



VIKTIG!

Feil væsker eller metoder kan skade eller ødelegge produktet.

- Alle rengjørings- og desinfeksjonsmidler må være av god kvalitet og kompatible med hverandre. I tillegg må de beskytte materialene de skal rengjøre.
- Bruk aldri etsende væsker (baser, syrer osv.) eller slipende rengjøringsmidler. Vi anbefaler et vanlig rengjøringsmiddel for husholdning som for eksempel oppvaskmiddel hvis ikke noe annet er spesifisert i rengjøringsanvisningene.
- Bruk aldri et løsemiddel (cellulosefjernere, aceton etc.) som forandrer plastens struktur eller får etikettene til å løsne.
- Sørg alltid for at produktet er helt tørket før det tas i bruk igjen.



For rengjøring og desinfeksjon i kliniske omgivelser eller ved langvarig pleie, gjelder institusjonelle retningslinjer for hygiene.

7.3.2 Rengjøringshyppighet



VIKTIG!

Regelmessig rengjøring og desinfeksjon bidrar til problemfri bruk, lenger levetid og forhindrer kontaminering.

- Rengjør og desinfiser produktet
- jevnlig mens det er i bruk,
 - før og etter enhver serviceprosedyre,
 - når det har vært i kontakt med enhver type kroppsvæske,
 - før det brukes på en ny bruker.

7.3.3 Rengjøringsanvisninger



VIKTIG!

- Produktet tåler ikke rengjøring i automatiske vaske-systemer, med høytrykksrengjøringsutstyr eller damp.

Rengjøre personløfteren

Metode: Tørk av med en våt klut eller myk børste.

Maks. temperatur: 40 °C


Løsemiddel/kjemikalier: Bruk vanlige rengjøringsmidler og vann.

Tørking: Tørk av med en myk klut.

Rengjøre løfteseilet

Se vaskeanvisningene på løfteseilet og rengjøringsanvisningene i håndboken for løfteseilet.

7.3.4 Instruksjoner for desinfisering

 Informasjon om anbefalte desinfeksjonsmidler og -metoder finner du på <https://vah-online.de/en/for-users>.

I hjemmet

Metode: Følg bruksmerknadene for det aktuelle desinfeksjonsmiddelet, og desinfiser av alle tilgjengelige overflater.

Desinfiseringsmiddel: Vanlig desinfiseringsmiddel til husholdningsbruk.

Tørking: La produktet lufttørke.

I kliniske miljø og pleieinstitusjoner

Følg de interne desinfiseringsprosedyrer, og bruk bare de desinfeksjonsmidlene og metodene som er angitt der.

7.4 Serviceintervall



ADVARSEL!

Risiko for personskade eller skade på utstyr

Service skal kun utføres av en kvalifisert tekniker.
– Kontakt Invacare-leverandøren for service.

Service må utføres minst hver 12. måned, med mindre annet er angitt i lokale krav.

Inspeksjonshyppigheten må økes hvis produktet utsettes for kontinuerlig høy fuktighet, høy kondensasjon og korrosive stoffer (f.eks. klor- eller ammoniakkgasser), for å unngå at produktet svekkes.

7.4.1 LOLER Statement

The UK Health and Safety Executive's Lifting Operations and Lifting Equipment Regulations 1998, require any equipment

that is used in the workplace to lift a load be subject to safety inspection on a six monthly basis. Please refer to the HSE web site for guidance www.hse.gov.uk.

The person responsible for the equipment must ensure adherence to LOLER regulations.

7.5 Batterivedlikehold

Hvis lydindikatoren piper og den blå indikatoren på løfteren blinker når løfteren har blitt fulladet og bare har vært i bruk en kort tidsperiode, er det mulig at batteriet må lades ut og lades opp igjen.

For at batteriet skal kunne lades fullt ut, må det lades ut og opp igjen fra tid til annen.

Etter en lang periode med oppbevaring kan det også være nødvendig å lade batteriet ut og opp igjen.

Vi foreslår også å lade batteriet ut og opp igjen i situasjoner der løfteren brukes sjelden, og/eller der håndkontrollen er plassert i laderen i lange perioder av gangen. I slike situasjoner vil det alltid være nok kapasitet for noen løft, men vi anbefaler å lade batteriet ut og opp igjen så snart som mulig etter det.

Utlading etterfulgt av opplading av batteriet kan utføres ved å lade og lade ut løfteren helt flere ganger.

1. Lad batteriet til LED-lampen lyser grønt.
2. Fjern håndkontrollen fra laderen.
3. Hev og senk stroppene med belastning i ett minutt.
4. Vent ti minutter.
5. Gjenta trinn 3–4 til batteriet er helt utladet.



Fortsett med denne prosessen når varsellydene har blitt avgitt og de blå lyset blinker. Dette indikerer at batterinivået er lavt.

6. Gjenta trinn 1–5 to til tre ganger.

8 Etter bruk

8.1 Transport og oppbevaring

Invacare anbefaler at den takmonterte løfteren alltid transporteres og oppbevares i den originale emballasjen. Plasser den takmonterte løfteren på en myk overflate, for eksempel en klut eller skumgummimatte.

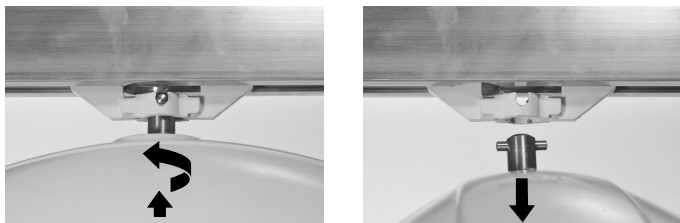
Ved langtidsoppbevaring må nødstoppet aktiveres. Dette vil redusere utlading av batteriet. Se *5.7 Nødstop, side 101*

Informasjon om oppbevaringsbetingelser for den takmonterte løfteren finner du under *10.3 Miljøbetingelser, side 110*

8.2 Demontere den takmonterte løfteren

Den takmonterte løfteren kan demonteres for transport eller oppbevaring.

Robin®



1. Hev løfteren litt og skyv opphengsbolten ut av holderen i løpekatten.
2. Vri løfteren 90 grader og trekk den ut av løpekatten.

Robin® Mover

Kontakt Invacare-representanten eller en spesialisert forhandler for å få den takmonterte løfteren demontert av en spesialisert servicetekniker.

8.3 Avfallshåndtering



ADVARSEL!

Miljøfare

Produktet inneholder batterier. Produktet kan inneholde stoffer som kan skade miljøet dersom produktet blir kastet på steder (søppelfyllinger) som ikke er i samsvar med lover og forskrifter.

- IKKE kast batterier sammen med vanlig husholdningsavfall.
- Batterier MÅ leveres til et egnet avfallsmottak. Retur av batterier er lovpålagt og gratis.
- Batterier må lades ut før de avhendes som avfall.
- Dekk til terminaler på litiumbatterier før avhending.
- Du finner opplysninger om batteritype på batterietiketten eller i kapittelet *10 Tekniske Data, side 110*

Vi ber deg vise miljøansvar og levere dette produktet til en lokal gjenvinningsstasjon ved endt brukstid.

Demonter produktet og dets komponenter, slik at de ulike materialene kan sorteres og gjenvinnes hver for seg.

Kassering og gjenvinning av brukte produkter og emballasje må overholde lovene og forskriftene for avfallshåndtering i hvert land. Ytterligere informasjon får du hos det lokale renovasjonsselskapet.

8.4 Overhaling

Dette produktet er egnet for gjenbruk. Utfør følgende punkter når produktet skal overhales og overføres til en ny bruker:

- Kontroll
- Rengjøring og desinfisering

Detaljert informasjon finner du under *7 Vedlikehold, side 105* og i servicehåndboken for dette produktet.


Sørg for at bruksanvisningen overleveres sammen med produktet.

Hvis det oppdages skade eller feil, må du ikke bruke produktet på nytt.

9 Feilsøking

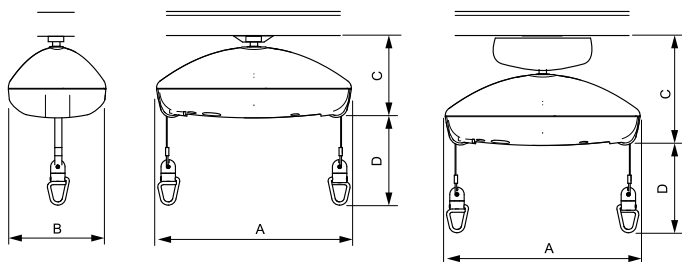
9.1 Problemløsningstabell

SYMPTOMER	PROBLEM	LØSNING
Den takmonterte løfteren responderer ikke på håndkontrollens knapper, og opp/ned-knappene på den takmonterte løfteren responderer ikke.	Nødstopp aktivert	Kontroller at nødstoppet ikke er aktivert. Se 5.9 Nullstilling av nødstoppet eller senkefunksjonen, side 102
	Systemet har ikke strømtilførsel, eller batteriet er utladet	Lad batteriet eller bruk reservebatteriet. Se 5.5 Lade batteriet, side 101
	Sikringen har gått	Sikringen må byttes ut. Kontakt en Invacare-representant eller spesialisert forhandler for service.
Den takmonterte løfteren responderer ikke på håndkontrollens knapper, men opp/ned-knappene på den takmonterte løfteren responderer.	Håndkontrollen er ikke tilkoblet på riktig måte	Kontroller håndkontrollpluggen. Se 4.4 Sette inn håndkontrollpluggen, side 99.
	Defekt håndkontroll	Bytt ut håndkontrollen.
Løftestroppene kan bare beveges nedover og ikke oppover.	Batteriet er nesten utladet	Lad batteriet eller bruk reservebatteriet. Se 5.5 Lade batteriet, side 101
	Belastningen er for høy	Reduser belastningen. Løfteren er utstyrt med et sikkerhetssystem for overstrøm.
Løftestroppene kan bare beveges oppover og ikke nedover.	Defekt håndkontroll	Bytt ut håndkontrollen.
	Funksjonen for løse stropper er aktivert	Kontakt en Invacare-representant eller spesialisert forhandler for service.
Den takmonterte løfterens hastighet er den samme med og uten belastning.	Funksjonen for hurtigbevegelse uten belastning er aktivert permanent	Kontakt en Invacare-representant eller spesialisert forhandler for service.
Løftestroppene er vridd og rettes ikke ut.	Løftekrokene vris ikke fritt nok	Rengjør eller bytt ut krokene. Kontakt en Invacare-representant eller spesialisert forhandler for service.
	Stroppene er frynsete	Kontakt en Invacare-representant eller spesialisert forhandler for å bytte ut stroppene.
Den takmonterte løfteren flyttes ikke sidelengs langs skinnene.	Det må utføres service på skinnene, eller de må rengjøres	Kontakt en Invacare-representant eller spesialisert forhandler for service.
	Løpekatten er slitt eller skadet (kun Robin®)	Løpekatten må byttes ut. Kontakt en Invacare-representant eller spesialisert forhandler for service.
	Drivhjulene er slitt eller skadet (kun Robin® Mover)	Drivhjulene må justeres. Kontakt en Invacare-representant eller spesialisert forhandler for service.
	Defekt håndkontroll (kun Robin® Mover)	Bytt ut håndkontrollen.
Den takmonterte løfteren avgir sterk støy når den aktiveres.	Defekte lagre, tannhjul eller motor	Løfteren må byttes ut. Kontakt en Invacare-representant eller spesialisert forhandler for service.
Den takmonterte løfteren lader ikke	Systemet får ikke tilført strøm	Kontroller at strømforsyningen er slått på og koblet til ladestasjonen.
		Kontakt en Invacare-representant eller spesialisert forhandler for service.
Ingen indikatorlampe på løfteren	Systemet har ingen strømtilførsel, eller batteriet er utladet	Kontroller at den takmonterte løfteren har strømforsyning, og at batteriet er ladet opp.
		Sett håndkontrollen i ladestasjonen og lad opp den takmonterte løfteren.
Nødstoppen slår ikke av den takmonterte løfteren	Den takmonterte løfteren krever service.	Kontakt en Invacare-representant eller spesialisert forhandler for service.
Nødstoppen senker ikke den takmonterte løfteren.	Den takmonterte løfteren krever service.	Kontakt en Invacare-representant eller spesialisert forhandler for service.

 Dersom feilen fortsatt er der etter at du har prøvd de angitte løsningene, kontakter du en Invacare-representant eller en spesialisert forhandler for service.

10 Tekniske Data

10.1 Dimensjoner og vekt




Dimensjoner

	Robin®	Robin® Mover
Løfterlengde (A)	470 mm	470 mm
Løfterbredde (B)	250 mm	250 mm
Løfterhøyde (C)	203 mm	266 mm
Maksimalt løfteområde (D)	2,5 m	2,5 m

Vekt

	Robin®	Robin® Mover
Maksimal løftekapasitet (maksimal tillatt arbeidsbelastning)	200 kg	200 kg
Totalvekt uten løfteseil	7,3 kg	10 kg

10.2 Elektrisk system

	Robin®	Robin® Mover
Maksimal inngangsstrøm	0,9 A	
Beskyttelsesklasse ¹	Hele enheten: IPx4 (takmontert løfter: IP24; håndkontroll: IP44)	
Isolasjonsklasse	Klasse II-utstyr	
	Type B-kontakt del Kontakt delen oppfyller de angitte kravene til beskyttelse mot elektrisk støt iht. IEC60601-1.	
Lydnivå	50–55 dB (A)	
Antall løft per lading	65 løft på 0,5 m med 80 kg	

	Robin®	Robin® Mover
Intermitterende (periodisk motordrift)	10 %, maks 2 min / 18 min	
Batteri	NiMH-batteri 24 V / 1,9 Ah	
Ladetid	Opptil 3 timer ved 20 °C	
Løfthastighet med 200 kg belastning	2,1 cm/s	2,1 cm/s
Hastighet ved flytting sidelengs i sporet	i/a	14 cm/s

Lader

Spenningsutgang	Ladekabel 25–36 V DC Ingen last 41 V DC
Spenningsforsyning	100 – 240 V AC, 50 – 60 Hz
Beskyttelsesklasse ¹	IP41 eller IP67 (avhengig av versjon)

¹ Korrekt beskyttelsesklasse er angitt på produktetiketten og etiketten på hver elektroniske enhet. Den laveste IP-klassifiseringen gjelder som en generell klassifisering for enheten.

- IPx4: Beskyttet mot vannsprut fra alle retninger.
- IP24: Beskyttet mot gjenstander som er større enn 12,5 mm, og beskyttet mot vannsprut fra alle retninger.
- IP44: Beskyttet mot gjenstander som er større enn 1 mm, og beskyttet mot vannsprut fra alle retninger.
- IP41: Beskyttet mot gjenstander som er større enn 1 mm, og beskyttet mot vertikalt dryppende vann.
- IP67: Støvtett og beskyttet mot midlertidig nedsenking i vann.

10.3 Miljøbetingelser

	Oppbevaring og transport	Bruk
Temperatur	-30 °C til +50 °C	+5 °C til +40 °C
Relativ luftfuktighet	10 % til 70 %	20 % til 90 % ved 30 °C – ikke-kondenserende
Atmosfærisk trykk	700 hPa til 1060 hPa	



Produktet må nå brukstemperatur før det tas i bruk:

- Oppvarming fra laveste oppbevaringstemperatur kan ta opptil 24 timer.
- Nedkjøling fra høyeste oppbevaringstemperatur kan ta opptil 24 timer.

11 Elektromagnetisk kompatibilitet

11.1 Generell EMC-informasjon

Medisinsk elektrisk utstyr skal installeres og brukes i samsvar med EMC-opplysningene i denne bruksanvisningen.

Dette produktet er testet og overholder EMC-begrensninger som spesifisert i IEC/EN 60601-1-2 for klasse B-utstyr.

Bærbart og mobilt RF-kommunikasjonsutstyr kan påvirke funksjonen til dette produktet.

Andre apparater kan oppleve interferens selv ved de svake nivåene av elektromagnetisk stråling som er tillatt i samsvar med standarden nevnt ovenfor. For å påvise om utslippet fra dette produktet forårsaker forstyrrelsen, kjør og slå av produktet. Hvis forstyrrelsen ved den andre enheten opphører, er det dette produktet som forårsaker forstyrrelsen. I slike sjeldne tilfeller kan du redusere eller korrigere interferens på følgende måte:

- Snu eller flytt apparatene, eller øk avstanden mellom dem.

11.2 Elektromagnetisk utslipp

Veiledning og produsentens erklæring

Dette produktet er beregnet for bruk i et elektromagnetisk miljø som angitt nedenfor. Kunden eller brukeren av dette produktet må sikre at systemet brukes i en slik omgivelse.


Strålingstest	Samsvar	Elektromagnetisk miljø – rettledning
RF-stråling CISPR 11	Gruppe I	Dette produktet bruker RF-energi bare for sin interne funksjon. RF-utstrålingen er derfor svært lav, og det er usannsynlig at den vil forårsake interferens i elektronisk utstyr i nærheten.
RF-stråling CISPR 11	Klasse B	Dette produktet er egnet til bruk i alle sammenhenger, inkludert private husholdninger og de som er direkte knyttet til det offentlige lavspenningsnett som leverer til bygninger som brukes til husholdsbruk.
Harmonisk utstråling IEC 61000-3-2	Klasse A	
Spennings-svingninger/ flimmerstråling IEC 61000-3-3	Overholder	

11.3 Elektromagnetisk immunitet

Veiledning og produsentens erklæring

Dette produktet er beregnet for bruk i et elektromagnetisk miljø som angitt nedenfor. Kunden eller brukeren av dette produktet må sikre at systemet brukes i en slik omgivelse.

Immunitetstest	Test / samsvarsnivå	Elektromagnetisk miljø - veiledning
Elektrostatisk utladning (ESD) IEC 61000-4-2	± 8 kV kontakt ± 2 kV, ± 4 kV, ± 8 kV, ± 15 kV luft	Gulvet bør være av tre, betong eller belagt med keramiske fliser. Hvis gulvet er dekket med syntetiske materialer, bør den relative luftfuktigheten være på minst 30 %.
Elektrostatisk rask transient / puls IEC 61000-4-4	± 2 kV for strømforsyningslinjer; 100 kHz repetisjonsfrekvens ± 1 kV for inngangs/utgangslinjer; 100 kHz repetisjonsfrekvens	Kvaliteten på nettstrømmen skal tilsvare et typisk bedrifts- eller sykehusmiljø.
Overspenning IEC 61000-4-5	± 1 kV linje til linje ± 2 kV linje til jord	Kvaliteten på nettstrømmen skal tilsvare et typisk bedrifts- eller sykehusmiljø.

Immunitetstest	Test / samsvarsnivå	Elektromagnetisk miljø - veiledning
Spenningsfall, korte avbrudd og spenningsvingninger i strømforsyningens inngangslinjer IEC 61000-4-11	< 0 % U_T i 0,5 syklus i trinn på 45 ° 0 % U_T i 1 syklus 70 % U_T i 25 / 30 sykluser < 5 % U_T i 250 / 300 sykluser	Kvaliteten på nettstrømmen skal tilsvare et typisk bedrifts- eller sykehusmiljø. Dersom brukeren av dette produktet krever uavbrutt drift ved strømbrudd, anbefales det at produktet får strøm fra en avbruddsfri strømkilde eller et batteri. U_T er vekselstrømspenningen før anvendelse av testnivået.
Strømfrekvensens (50/60 Hz) magnetfelt IEC 61000-4-8	30 A/m	Strømfrekvensens magnetfelt bør tilsvare det typiske nivået for en vanlig plassering i et bedrifts- eller sykehusmiljø.
Ledet RF IEC 61000-4-6	3 V 150 kHz til 80 Mhz 6 V i ISM- og amatørradiobånd	Det er ikke mulig å teoretisk forutsi feltstyrke fra faste sendere, f.eks. basestasjoner for radiotelefoner (mobile/trådløse) og landmobile radioer, amatørradio, AM- og FM-radiosendinger og TV-sendinger nøyaktig. For å bestemme det elektromagnetiske miljøet som skyldes faste RF-sendere, bør det vurderes å gjennomføre en elektromagnetisk undersøkelse på stedet. Hvis den målte feltstyrken på stedet der dette produktet skal brukes overskrider det anvendelige RF-samsvarsnivået ovenfor, må dette produktet observeres for å bekrefte at det fungerer som det skal. Dersom det observeres unormal ytelse, kan det være påkrevd med ytterligere tiltak, som å snu eller flytte på dette produktet. Det kan oppstå interferens i nærheten av utstyr som er merket med følgende symbol: 
Utstrålt RF IEC 61000-4-3	10 V/m 80 Mhz til 2,7 GHz 385 MHz - 5785 MHz testspesifikasjoner for immunitet for trådløst RF-kommunikasjonsutstyr, se tabell 9 i IEC 60601-1-2:2014	Bærbart og mobilt RF-kommunikasjonsutstyr skal ikke brukes nærmere enn 30 cm fra noen del av dette produktet (inkludert kabler).




Disse retningslinjene gjelder kanskje ikke i alle situasjoner. Elektromagnetisk spredning påvirkes av absorbering og refleksjon fra strukturer, objekter og mennesker.

11.4 Testspesifikasjoner for immunitet for trådløst RF-kommunikasjonsutstyr

IEC 60601-1-2:2014 – Tabell 9

Testfrekvens (MHz)	Bånd ^{a)} (MHz)	Service ^{a)}	Modulasjon ^{b)}	Maksimal effekt (W)	Avstand (m)	Immunitets-testnivå (V/m)
385	380 - 390	TETRA 400	Pulsmodulasjon ^{b)} 18 Hz	1,8	0,3	27
450	430 - 470	GMRS 460, FRS 460	FM ^{c)} ± 5 kHz avvik 1 kHz sinus	2	0,3	28
710 745 788	704 - 787	LTE-bånd 13, 17	Pulsmodulasjon ^{b)} 217 Hz	0,2	0,3	9
810 870 930	800 - 960	GSM 800/900, TETRA 800, iDEN 820, CDMA 850, LTE-bånd 5	Pulsmodulasjon ^{b)} 18 Hz	2	0,3	28

Testfrekvens (MHz)	Bånd ^{a)} (MHz)	Service ^{a)}	Modulasjon ^{b)}	Maksimal effekt (W)	Avstand (m)	Immunitets-testnivå (V/m)
1720 1845 1970	1700 - 1990	GSM 1800; CDMA 1900; GSM 1900; DECT LTE-bånd 1, 3, 4, 25; UMTS	Pulsmodulasjon ^{b)} 217 Hz	2	0,3	28
2450	2400 - 2570	Bluetooth, WLAN, 802.11 b/g/n, RFID 2450, LTE-bånd 7	Pulsmodulasjon ^{b)} 217 Hz	2	0,3	28
5240 5500 5785	5100 - 5800	WLAN 802.11 a/n	Pulsmodulasjon ^{b)} 217 Hz	0,2	0,3	9

 Hvis det er nødvendig å oppnå immunitetstestnivået, kan avstanden mellom senderantennen og det medisinske elektriske utstyret eller systemet reduseres til 1 m. Testavstanden på 1 m er tillatt via IEC 61000-4-3.

a) For noen tjenester er bare opplink-frekvensene inkludert.

b) Bærefrekvensen skal moduleres ved hjelp av et firkantbølgesignal for 50 % av driftssyklusen.

c) Som et alternativ til FM-modulasjon kan 50 % pulsmodulasjon ved 18 Hz brukes. Dette representerer ikke faktisk modulasjon, men er det verst tenkelige scenariet.

Innehållsförteckning

Den här bruksanvisningen måste ges till användaren. Innan du använder produkten måste du läsa denna bruksanvisning och spara den för framtida behov.

1 Allmänt	116
1.1 Inledning.	116
1.2 Symboler som används i det här dokumentet	116
1.3 Produktlivslängd	116
1.4 Ansvarsbegränsning.	116
1.5 Information om garanti	116
1.6 Överensstämmelse	116
1.6.1 Produktspecifika standarder	116
2 Säkerhet	117
2.1 Allmän säkerhetsinformation	117
2.2 Säkerhetsinformation om tillbehör	118
2.3 Säkerhetsinformation om elektromagnetiska störningar.	118
2.4 Etiketter och symboler på produkten	118
2.4.1 Placering av etiketter	118
2.4.2 Serienummeretikett	119
2.4.3 Andra etiketter och symboler	119
3 Produktöversikt	120
3.1 Avsedd användning	120
3.2 Taklyftens huvuddelar	120
3.3 Tillbehör	120
4 Inställningar	121
4.1 Medföljande material	121
4.2 Innan produkten används	121
4.3 Montera taklyften	121
4.4 Sätta i kontakten till handkontrollen.	121
5 Användande	122
5.1 Allmän säkerhetsinformation	122
5.2 Allmän användningsinformation	122
5.3 Använda taklyften	122
5.4 Indikatorlampa och ljudsignal	122
5.5 Ladda batteriet	122
5.6 Använda det externa reservbatteriet	123
5.7 Nödstop	123
5.8 Nödsänkning	123
5.9 Återställa nödstoppet eller nödsänkningfunktionen	124
6 Patientförflyttning	125
6.1 Allmän säkerhetsinformation	125
6.2 Montera lyftselen	125
6.3 Lyftinformation	126
6.4 Lyfta till och från sittande ställning	126
6.5 Lyfta till och från liggande ställning	126
7 Underhåll	127
7.1 Allmän underhållsinformation	127
7.2 Daglig besiktning	127
7.3 Rengöring och desinfektion	127
7.3.1 Allmän säkerhetsinformation	127
7.3.2 Rengöringsintervall	127
7.3.3 Instruktioner för rengöring	127
7.3.4 Instruktioner för desinficering	128
7.4 Serviceintervall	128
7.4.1 LOLER Statement	128
7.5 Batteriunderhåll	128
8 Återanvändning	129
8.1 Transport och förvaring	129
8.2 Demontera taklyften	129
8.3 Kassering	129
8.4 Rekonditionering	129
9 Felsökning	130
9.1 Felsökningstabell	130
10 Teknisk Data	132
10.1 Mått och vikt	132
10.2 Elektriskt system	132
10.3 Användningsmiljö	132
11 Elektromagnetisk kompatibilitet (EMC)	133
11.1 Allmän EMC-information	133
11.2 Elektromagnetisk strålning	133
11.3 Elektromagnetisk integritet	133
11.4 Testfakta för immunitet mot trådlös RF-kommunikationsutrustning	134

1 Allmänt

1.1 Inledning

Den här bruksanvisningen innehåller viktig information om hantering av produkten. Läs igenom bruksanvisningen noga och följ säkerhetsinstruktionerna för att försäkra dig om att du använder produkten på ett säkert sätt.

Observera att det kan finnas avsnitt i den här bruksanvisningen som inte gäller för din produkt eftersom bruksanvisningen avser alla tillgängliga modeller (vid tidpunkten för tryckning). Om inget annat anges hänvisar varje avsnitt i den här bruksanvisningen till alla modeller av produkten.

De modeller och konfigurationer som är tillgängliga i ditt land återfinns i de landsspecifika försäljningsdokumenten.

Invacare förbehåller sig rätten att ändra produktspecifikationerna utan ytterligare meddelande.

Kontrollera att du har den senaste versionen av den här bruksanvisningen innan du läser den. Du hittar den senaste versionen som PDF-fil på webbplatsen för Invacare.

Om du tycker att teckensnittsstorleken i den tryckta versionen av bruksanvisningen är svår att läsa kan du ladda ned PDF-versionen från webbplatsen. Du kan sedan förstora PDF-filen på skärmen till en teckensnittsstorlek som passar dig bättre.

Kontakta en Invacare-representant om du vill ha mer information om produkten, till exempel produktsäkerhetsmeddelanden och produktåterkallelser. Adresser finns i slutet av det här dokumentet.

Om en allvarlig incident inträffar med produkten bör du informera tillverkaren och den behöriga myndigheten i ditt land.

1.2 Symboler som används i det här dokumentet

Symboler och signalord som används i det här dokumentet och gäller för faror eller farliga förfaranden som kan leda till personskador eller skador på egendom. Symbolerna definieras nedan.



VARNING

Anger en riskfylld situation som kan leda till allvarlig skada eller dödsfall om den inte undviks.



FÖRSIKTIGT

Anger en riskfylld situation som kan leda till lättare skada om den inte undviks.



VIKTIGT

Anger en riskfylld situation som kan leda till produktskada om den inte undviks.



Tips och rekommendationer

Ger användbara råd, rekommendationer och information för en effektiv och problemfri användning.

1.3 Produktlivslängd

Denna produkts förväntade livslängd är fem år när den används dagligen i enlighet med de säkerhetsinstruktioner, underhållsintervall och korrekt användning som anges i denna manual. Den faktiska livslängden kan variera beroende på hur mycket och intensivt produkten används.

1.4 Ansvarsbegränsning

Invacare ansvarar inte för skador som uppkommer till följd av

- att bruksanvisningen inte följs
- felaktig användning
- normalt slitage
- felaktig montering eller inställning som utförs av köparen eller tredje part
- tekniska ändringar
- obehöriga ändringar och/eller användning av olämpliga reservdelar.

1.5 Information om garanti

Vi tillhandahåller en tillverkargaranti för produkten i enlighet med våra allmänna affärsvillkor i respektive land.

Garantianspråk kan endast göras genom den leverantör som tillhandahöll produkten.

1.6 Överensstämmelse

Kvalitet är absolut grundläggande för företagets verksamhet, och vi arbetar i enlighet med standarden i ISO 13485.

Den här produkten är CE-märkt i enlighet med den medicintekniska förordningen 2017/745 klass 1. Lanseringsdatum för produkten anges i CE-försäkran om överensstämmelse.

Vi arbetar ständigt på att se till att företaget påverkar lokal och global miljö så lite som möjligt.

Vi använder endast material och komponenter som följer REACH-direktivet.

Vi följer gällande miljölagstiftning, WEEE- och RoHS-direktivet.

1.6.1 Produktspecifika standarder

Produkten har testats och överensstämmer med ISO 10535 (Lyftar för personer med funktionshinder) och alla relaterade standarder.

Kontakta en lokal Invacare-representant om du vill ha mer information om lokala standarder och bestämmelser. Adresser finns i slutet av det här dokumentet.

2 Säkerhet

2.1 Allmän säkerhetsinformation

Denna del av manualen innehåller allmän säkerhetsinformation om din produkt. För specifik säkerhetsinformation, se lämplig del av manualen och procedurerna i den delen.



VARNING!

Risk för personskador eller sakskador

- Använd inte den här produkten eller någon tillvalsutrustning innan du har läst och förstått dessa instruktioner och eventuellt ytterligare instruktionsmaterial, såsom bruksanvisningar eller instruktionsblad som medföljer produkten eller tillvalsutrustningen. Om du inte kan förstå varningarna eller instruktionerna ska du kontakta hälso- och sjukvårdspersonal, Invacare-hjälpmiddelscentral eller kvalificerad tekniker innan du använder produkten.
- Utför inga otilåtna ändringar eller modifieringar på produkten.



VARNING!

Den maximala tillåtna belastningen får inte överskridas

- Överstig inte den maximala tillåtna belastningen för den här produkten eller använda tillbehör som lyftselar, lyftbyglar etc. Se dokumentation eller märkning för angiven högsta tillåtna belastning.
- Komponenter med den lägsta belastningsgränsen bestämmer den maximala tillåtna belastningen för hela systemet.



VARNING!

Risk för personskador eller sakskador

- Felaktig användning av den här produkten kan orsaka personskador eller sakskador.
- Försök inte förflytta en patient utan godkännande från patientens vårdpersonal.
 - Läs anvisningarna i den här bruksanvisningen och se utbildad personal som utför förflyttningar. Öva sedan på förflyttningar under övervakning av och med en fullt frisk person som agerar som patient.
 - Var extra försiktig med personer med nedsatt rörelseförmåga som inte kan samarbeta när de förflyttas.
 - Taklyften är endast avsedd för att lyfta eller förflytta patienter.
 - Det röda nödstoppbandet måste justeras så att det är inom räckhåll för vårdgivaren. Det får inte tas bort.
 - Om personlyften inte fungerar ska du sänka ned patienten på ett lämpligt underlag med hjälp av det röda nödstoppbandet innan du fortsätter med en annan förflyttningssätt.



VARNING!

Risk för personskador eller sakskador

- Olämplig hantering av kablar kan orsaka elektriska stötar och fel i produktens funktion.
- Du får inte böja, skära i eller skada produktens kablar.
 - Se till att inga kablar fastnar eller skadas när produkten används.
 - Kontrollera att ledningar och anslutningar är korrekta.
 - Använd inte otilåtna utrustning.



VARNING!

Risk för personskador eller sakskador

- Överdriven fukt kommer att skada produkten och kan orsaka elektrisk stöt.
- Personlyften kan användas i bad- eller duschrum men får INTE användas under duschen. Patienten måste förflyttas till en duschstol eller använda andra hjälpmedel för att duscha.
 - Om personlyften används i en fuktig miljö måste du säkerställa att personlyften torkas rent från eventuell fukt efter användning.
 - Ladda inte produkten i en fuktig miljö eller med våta händer.
 - Produkten får inte förvaras på ett fuktigt ställe eller i ett fuktigt tillstånd.
 - Se 10.3 *Användningsmiljö, sida 132*



VARNING!

Risk för personskador eller sakskador

- Antändningskällor kan orsaka brännskador eller brand.
- Patientförflyttningar måste utföras med säkerhetsavstånd mellan personlyften och möjliga antändningskällor (element, kamin, eldstad, etc.)
 - Patienten och vårdpersonalen får inte röka under förflyttningen.
 - Lyftselen får inte placeras över värmekällor (element, kamin, eldstad, etc.)



VARNING!

Risk för personskador eller sakskador

- För att undvika personskador eller sakskador vid användning av produkten:
- Det är viktigt att vara extra försiktig då produkten används i närheten av barn eller djur.
 - Låt inte barn leka med produkten.



FÖRSIKTIG!

Risk för personskador eller sakskador

- Produkten kan bli het när den utsätts för solljus eller andra värmekällor.
- Utsätt inte produkten för direkt solljus under längre perioder.
 - Håll produkten borta från värmekällor.



VIKTIGT!

- Ansamling av ludd, damm och annan smuts kan försämra produkten.
- Håll produkten ren.

- !** **VIKTIGT!**
Elektroniken får endast servas av en kvalificerad tekniker.
– Ta inte bort kåpan.

2.2 Säkerhetsinformation om tillbehör



FÖRSIKTIGT! Risk för personskador

- Icke-originaltillbehör eller felaktiga tillbehör kan påverka produktens funktion och säkerhet.
- På grund av regionala skillnader, se tillgängliga tillbehör på/i din lokala Invacare-webbplats eller katalog eller kontakta din Invacare-hjälpmiddelscentral.
 - Se manualen som levereras med tillbehöret för mer information och instruktioner.
 - Använd endast originaltillbehör med den produkt som används. Under vissa förhållanden är det möjligt att använda lyftselar från andra tillverkare. Mer information finns i det här avsnittet.
 - En riskbedömning ska alltid utföras av en fackman innan lyftutrustning börjar användas. Det är viktigt att uppgift, individ, belastning, omgivning och utrustning beaktas vid riskbedömningen.
 - Lyftselens utformning och vikt ska alltid väljas utifrån patientens vikt, storlek och fysiska förmåga, samtidigt som du beaktar typen av förflyttning som ska utföras.



FÖRSIKTIGT! Kompatibilitet för lyftselar med fästsystemet

- Invacare använder ett vanligt fästsystem som baseras på krokar och öglor. Öglorna på lyftselen fästs på hakarna på personlyften. Därför kan lämpliga lyftselar från andra tillverkare också användas på den här personlyften.
- Använd endast lyftselar med monterade öglor som är lämpliga för krokar som fästpunkter.
 - Använd inte lyftselar som utformats för "nyckelhåls- eller klämfästsystem" eller "system med lutande ram".

2.3 Säkerhetsinformation om elektromagnetiska störningar



VARNING! Risk för fel på grund av elektromagnetiska störningar

- Elektromagnetiska störningar mellan denna produkt och annan elektrisk utrustning kan uppstå och inverka på produktens elektriska manöverfunktioner. För att förebygga, reducera och eliminera sådana elektromagnetiska störningar:
- Använd endast kablar, tillbehör och reservdelar som är original för att inte öka den elektromagnetiska strålningen eller reducera produktens elektromagnetiska integritet.
 - Använd inte kommunikationsutrustning som nyttjar radiofrekvenser (RF) inom 30 cm avstånd från någon del av denna produkt (inklusive kablar).
 - Använd inte denna produkt nära aktiv högfrekvent kirurgisk utrustning eller ett RF-avskärmat rum med ett system för magnetisk resonanstomografi, där det förekommer elektromagnetiska störningar av hög intensitet.
 - Om störningar uppstår, öka avståndet mellan denna produkt och annan utrustning eller stäng av den.
 - Se detaljerad information och följ riktlinjerna i kapitlet *11 Elektromagnetisk kompatibilitet (EMC)*, sida 133

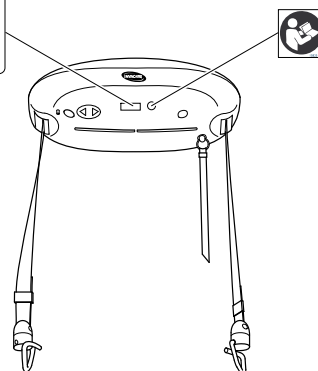


VARNING! Risk för fel

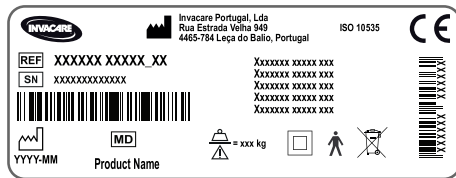
- Elektromagnetiska störningar kan orsaka fel.
- Använd inte den här produkten intill eller ovanpå annan elektrisk utrustning. Om sådan användning krävs måste produkten och annan utrustning övervakas för att verifiera att de fungerar som de ska.

2.4 Etiketter och symboler på produkten

2.4.1 Placering av etiketter

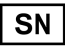








2.4.2 Serienummeretikett



Serienummeretiketten innehåller huvudsaklig produktinformation, inklusive tekniska data.

Symboler

	Serienummer
	Referensnummer
	Tillverkare
	Tillverkningsdatum
	Högsta säkra belastning vid användning
	Klass II-utrustning


	Patientansluten del typ B
	WEEE-överensstämmelse
	Europeisk överensstämmelse
	Medicinteknisk produkt

Förkortningar av tekniska data:

- lin = Ingående strömstyrka
- Uin = Inspänning
- Int. = Intermittens
- AC = Växelström
- Max = Maximalt
- min = Minut

Mer information om tekniska data finns i *10 Teknisk Data*, sida 132

2.4.3 Andra etiketter och symboler

	Se bruksanvisningen
---	---------------------

3 Produktöversikt

3.1 Avsedd användning

En taklyft är en batteridrivna förflyttningseenhet som är avsedd för inomhusanvändning vid normal rumstemperatur och luftfuktighet.

Om den kontinuerligt utsätts för hög luftfuktighet, hög kondensation och frätande ämnen (t.ex. klor- eller ammoniakgaser) kan produkten försämrats och en förkortad livslängd är att förvänta.

Vanliga lyftsituationer:

- Mellan sängen och en rullstol
- Till och från toaletten
- Sänka och höja patienter till/från golvet

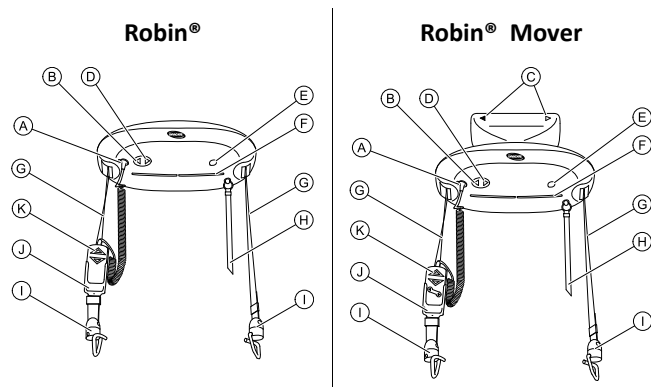
Den maximala tillåtna belastningen anges i *10 Teknisk Data, sida 132*

Taklyften kan användas för att förflytta och positionera helt eller delvis orörliga patienter i det rekommenderade spårssystemet. Alla positionsändringar kan genomföras utan patientens hjälp.

Vårdpersonal och privatpersoner som har fått ordentlig utbildning är avsedda användare av denna produkt.

Det finns inga kända kontraindikationer för den här produkten.

3.2 Taklyftens huvuddelar



Ⓐ	Anslutning till handkontroll
Ⓑ	Kontrollknappen UPP
Ⓒ	Riktningsspilar på Robin® Mover
Ⓓ	Kontrollknappen NER
Ⓔ	Anslutning till externt reservbatteri
Ⓕ	Indikatorlampa
Ⓖ	Lyftband
Ⓗ	Rött nödstoppsband
Ⓘ	lyftbandskrokar
Ⓙ	Hållare till handkontroll (tillval)
Ⓚ	Handkontroll

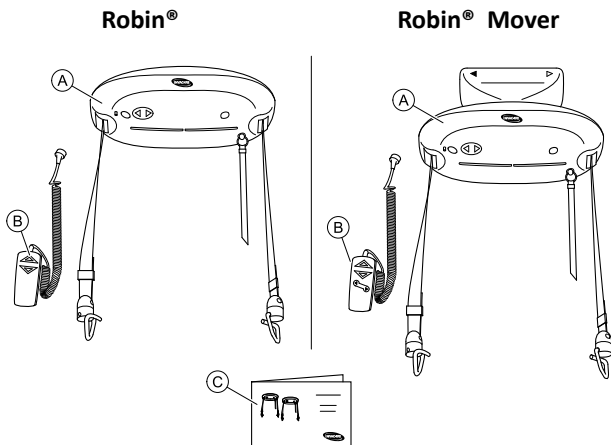
3.3 Tillbehör

i På grund av regionala skillnader, se information om tillgängliga tillbehör på/i din lokala Invacare-webbplats/-katalog eller kontakta din Invacare-hjälpmiddelscentral.

- Två- och fyrapunktslyftbygel inklusive version med Flexiscope
- Brits för horisontella lyft
- Lyftbygel med våg
- Hållare till manöverdosa
- Batteriladdare
- Laddarsats (laddare och hållare till manöverdosa)
- Förlängningsband och förlängningskablar till manöverdosa
- Externt reservbatteri
- Laddare till externt reservbatteri
- Lyftsmodeller för "lyftbygelsystem med ögla och galge":
 - Helkroppsliftsalar – utan huvudstöd
 - Helkroppsliftsalar – med huvudstöd
 - Lyftsalar för påklädning/toalett – med eller utan huvudstöd
 - Lyftsalar för amputerade
 - Lyftsalar för gångträning

4 Inställningar

4.1 Medföljande material



- **A** Taklyft inklusive två lyftband med krokar och ett nödstopsband. Robin® Mover levereras med transportvagn.
- **B** Handkontroll
- **C** Bruksanvisning

4.2 Innan produkten används



FÖRSIKTIGT!

– Taklyften ska inte användas tillsammans med MEDICINSK ELEKTRISK UTRUSTNING.

Innan du använder taklyften för första gången ska lyftsystemets samtliga funktioner inspekteras av behörig servicetekniker.

Inspektera taklyften visuellt. Om emballaget är skadat vid leveransen måste taklyftens alla delar undersökas noga. Kontrollera att det inte förekommer synliga skador eller andra defekter. Vid minsta misstanke om skada måste taklyften godkännas av behörig servicetekniker innan den får användas.

Nödstoppet är aktiverat under transporten. Nödstoppet ska återställas innan taklyften används för första gången. Se 5.9 Återställa nödstoppet eller nödsänkningfunktionen, sida 124

Det finns en risk för att lyftens batteri är urladdat på grund av självurladdning. Ladda lyftens batteri innan du använder den för första gången. Se 5.5 Ladda batteriet, sida 122

4.3 Montera taklyften

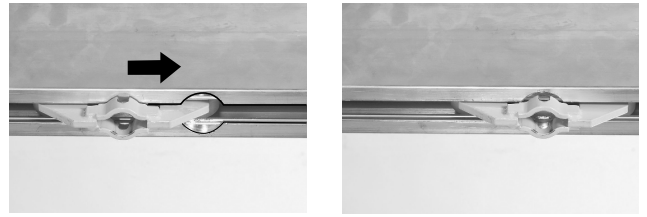
Taklyften måste monteras i ett skensystem innan den kan användas. Skensystemet måste installeras och godkännas enligt kraven i EN 10535 av en kvalificerad återförsäljare eller kvalificerad servicetekniker.

Montera Robin®

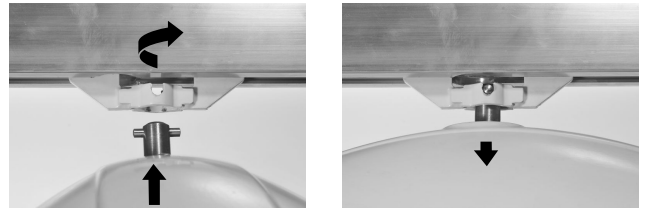
Till Robin® behövs en åkvagn som håller fast taklyften i skensystemet. Åkvagnen måste förmonteras av en kvalificerad återförsäljare eller servicetekniker.

Så här monterar du taklyften i åkvagnen:

1. Placera lyftvagnen vid den runda fördjupningen med 32 mm omkrets i skenan.



2. Lyft upp lyften och tryck in upphängningssprinten genom öppningen i åkvagnen.
3. Vrid lyften 90 grader så att den låses fast i åkvagnen.



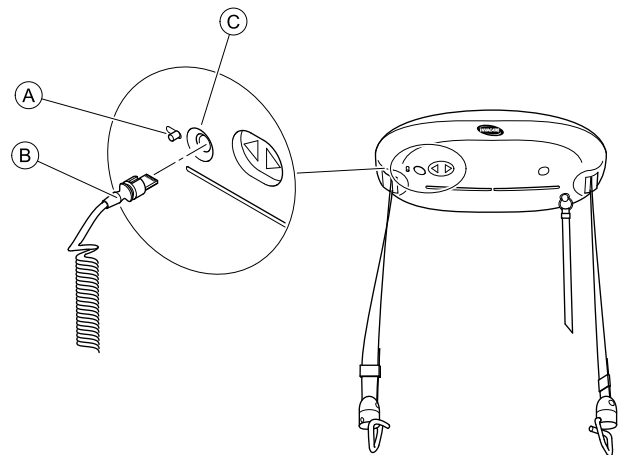
4. Justera längden på bandet till nödstops-/nödsänkingsbandet så att det är inom räckhåll för användaren.

Montera Robin® Mover

Taklyften Robin® Mover levereras med monterad åkvagn. Därför kan inte åkvagnen förmonteras i skensystemet.

Taklyften måste monteras av en kvalificerad återförsäljare eller servicetekniker.

4.4 Sätta i kontakten till handkontrollen



1. Skjut låsspaken **A** från öppningen **C** och håll fast låsspaken. En port öppnas i öppningen.
2. Se till att kontakten **B** är vänd åt rätt håll med skåran uppåt (se bilden). Sätt i kontakten i öppningen.
3. Släpp spaken så att porten stängs och håller fast kontakten i öppningen.

Dra ut kontakten till handkontrollen

1. Skjut låsspaken **A** från öppningen **C** och håll fast låsspaken.
2. Dra ut kontakten **B** ur öppningen.
3. Släpp spaken.

5 Användande

5.1 Allmän säkerhetsinformation



VARNING!

Risk för personskador eller produktskador

Se följande säkerhetsinformation och instruktioner innan du använder personlyften med en patient:

- 2 *Säkerhet, sida 117*
- 6 *Patientförflyttning, sida 125*

5.2 Allmän användningsinformation



FÖRSIKTIGT!

Om lyftbanden sitter fel i lyften (t.ex. om lyftbanden är vridna) stängs taklyften av automatiskt.

- Se till att lyftbanden är raka så att de matas in på rätt sätt i lyften. Lyftbanden hålls sträckta genom belastningen från krokarna.
- Se till att banden hänger fritt när lyften körs uppåt/nedåt utan last.

Om användaren oavsiktligt fastnar med handen i lyftbandet under ett lyft stängs taklyften av automatiskt. Lyften stannar omedelbart om någon rör vid bandets ingångshål med handen.

- Håll inte händerna i närheten av bandet under lyft.



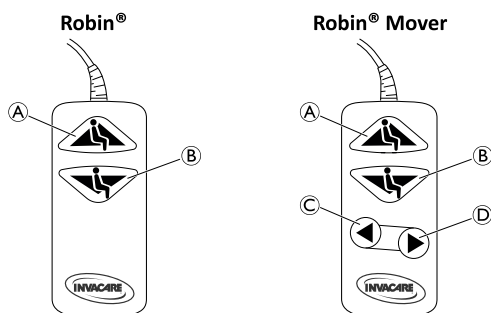
FÖRSIKTIGT!

Handkontrollen är skyddad mot vattenstänk (IPX4). Handkontrollen skadas vid långvarig kontakt med vatten.

- Handkontrollen får inte sänkas ned i vätska, inte ens tillfälligt.
- Kontakt med vatten och andra vätskor ska undvikas.

5.3 Använda taklyften

Taklyften växlar till driftläge när du trycker på någon knapp på handkontrollen.



Lyfta och sänka ned banden



När taklyften är utan last rör den sig uppåt och nedåt med hög hastighet. Om taklyften lastas med mer än 10 kg begränsas hastigheten automatiskt till en säker nivå.

1. Lyft banden med knappen UPP (A) på handkontrollen.
2. Sänk banden med knappen NER (B) på handkontrollen.



Taklyften kan också användas med knapparna UP och DOWN på lyftens undersida.

Förflytta Robin® i tvärgående riktning i spåret

1. Dra taklyften längs spåret med hjälp av de båda lyftbanden.



Det röda nödstoppbandet får INTE användas vid tvärgående förflyttning av taklyften.

Förflytta Robin® Mover i tvärgående riktning i spåret

1. Gör något av följande:
 - Lyften har last: Kör taklyften i tvärgående riktning i spåret med knappen VÄNSTER (C) eller HÖGER (D) på handkontrollen.
 - Lyften är utan last: Dra lyften längs spåret med hjälp av de båda lyftbanden.



Det röda nödstoppbandet får INTE användas vid tvärgående förflyttning av taklyften.

Funktionerna för förflyttning i tvärgående riktning och uppåt/nedåt går inte att aktivera samtidigt. När den tvärgående funktionen är aktiverad är den blå indikatorlampan på lyftens undersida avstängd. Se 5.4 *Indikatorlampa och ljudsignal, sida 122*

5.4 Indikatorlampa och ljudsignal

Lyft

Status	Indikatorlampa	Ljudsignal
Av/vänteläge	Lyser inte	Nej
Lyften i tvärgående rörelse (endast Robin® Mover)		
Lyften i rörelse (upp/ned)	Blå	Nej
Batteriet är tomt	Blå lampa blinkar	Ja

Den blå indikatorlampan på lyftens undersida stängs av automatiskt efter 30 sekunder.

Väggmonterad laddare

Status	Indikatorlampa	Längd
Batteriet är inte anslutet	Gul	ej tillämpligt
Start och batterianalys	Gul	12–14 sekunder
Snabbladdning	Röd	5 min–3 timmar
Laddad (underhållsladdning)	Grön	ej tillämpligt
Fel (batterifel)	Växelvis röd och blå lampa	ej tillämpligt

5.5 Ladda batteriet

Vid låg batterinivå hörs en ljudsignal och indikatorlampan på taklyftens undersida blinkar (se även 5.4 *Indikatorlampa*)

och ljudsignal, sida 122). När detta händer brukar det finnas tillräckligt med batterikapacitet för att sänka ned patienten.

i Det går inte att använda lyften medan batteriet laddas.

1. Avsluta det pågående lyftet
Om det pågående lyftet får batteriet att laddas ur helt kan du tillfälligt köra lyften med en extern batteribackup. Se 5.6 Använda det externa reservbatteriet, sida 123
2. Förflytta taklyften till laddningsstationen.
3. Kontrollera att manöverdosan och laddningsstationen är rena och torra innan laddning.
4. Sätt manöverdosan i laddningsstationen.
En gul indikatorlampa tänds på laddaren och visar att manöverdosan är ansluten. En röd indikatorlampan lyser medan batteriet laddas.
5. När batteriet är fulladdat växlar indikatorlampan på laddaren till grönt.
Den tid som taklyften inte används ska manöverdosan förvaras i laddningsstationen.
6. När du ska använda taklyften lyfter du manöverdosan från laddaren.

i Genom att hålla batterierna laddade säkerställer du att lyften fungerar och att batterierna underhålls för längre livslängd.

Om ljudsignalen hörs och den blå indikatorlampan på lyften blinkar trots att batteriet är fulladdat och lyften endast har använts en kort tid kan batteriet behöva underhåll eller bytas ut. Se 7.5 Batteriunderhåll, sida 128

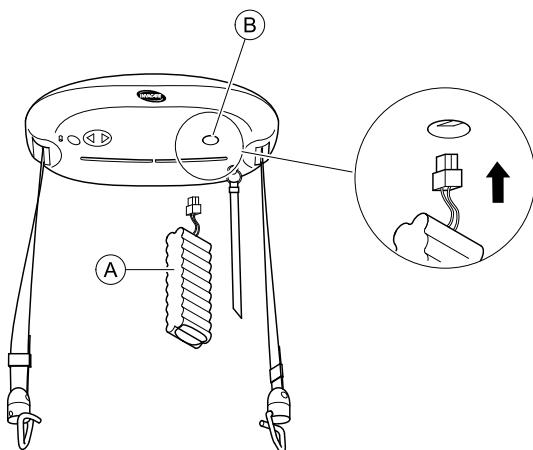
Om taklyften ska stå oanvänd under mer än fyra veckor rekommenderar Invacare att du drar ut kontakten till laddaren och aktiverar nödstoppet.

Laddaren är ansluten till eluttaget via en nätkabel. Nätkabeln ska vara lättåtkomlig och det ska gå att dra ut den om det behövs.

5.6 Använda det externa reservbatteriet

Om batteriet är urladdat och taklyften behöver användas omgående kan du använda ett externt reservbatteri.

i Det externa reservbatteriet får endast användas i undantagsfall och när det är absolut nödvändigt. Det externa reservbatteriet är ett tillval.



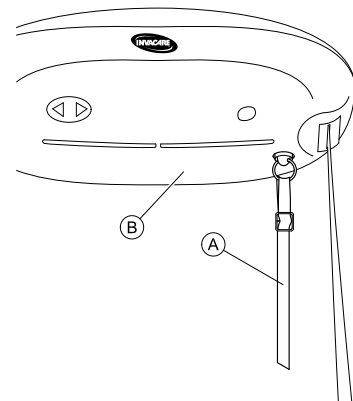
1. Sätt i kontakten till det externa reservbatteriet (A) i öppningen (B) på lyftens undersida. Det externa reservbatteriet ska hänga fritt under patientförflyttningen.
2. Taklyften ska användas enligt anvisningarna i kapitel 5.3 Använda taklyften, sida 122
3. Ladda det externa reservbatteriet så att det är fulladdat inför nästa användningstillfälle.

Så här laddar du det externa batteriet:

1. Sätt kontakten i laddaruttaget (en särskild adapter behövs).
2. Den gröna lampan tänds som ett tecken på att enheten är fulladdad (laddningstiden är cirka 2 timmar).

5.7 Nödstopp

Nödstoppsfunktionen är till för att stoppa lyftens rörelse uppåt eller nedåt av patienten om den inte svarar på handkontrollen.



1. Aktivera nödstoppet genom att dra i lyftbandet (A) på lyftens undersida (B).
Taklyften stannar omedelbart.

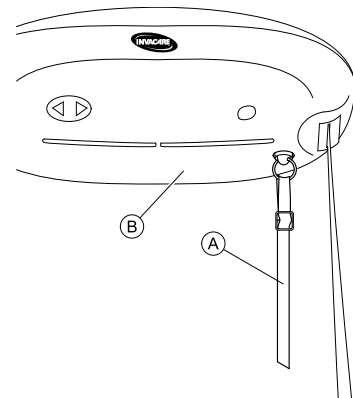


VIKTIGT!

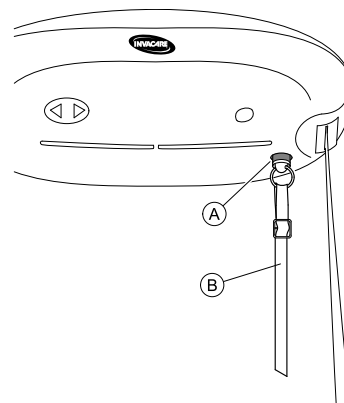
När du drar i det röda nödstoppsbandet inaktiveras lyftens alla funktioner, inklusive ändstoppet. Den blå indikatorlampan släcks.
– Om du vill aktivera lyftens funktioner på nytt måste du återställa nödstoppet. Se 5.9 Återställa nödstoppet eller nödsänkingsfunktionen, sida 124

5.8 Nödsänkning

Nödsänkingsfunktionen är till för att sänka ned patienten endast om lyften har upphört att fungera.



1. Sänk ned patienten genom att dra i det röda nödstopsbandet (A) på lyftens undersida (B).
Fortsätt att dra tills patienten har kommit ned på säker höjd.
2. Stanna nedsänkningen genom att släppa det röda nödstopsbandet.



! VIKTIGT!

- När det röda nödstopsbandet har dragits inaktiveras lyftfunktionerna och den blå indikatorlampan släcks.
 - Fortsätt inte att dra i det röda nödstopsbandet efter att patienten har kommit ned på säker höjd.
 - Om du vill aktivera lyftens funktioner på nytt måste du återställa nödstoppet. Se 5.9 Återställa nödstoppet eller nödsänkningen, sida 124

5.9 Återställa nödstoppet eller nödsänkningen



! VARNING!

- Om du måste använda funktionen för nödstopp eller nödsänkning har ett problem uppstått i systemet. Kontakta din hjälpmedelscentral eller ett ombud för Invacare innan du använder systemet på nytt.

När du drar i det röda nödstopsbandet (B) hoppar återställningsknappen (A) ut med en röd ring. Lyften går inte att använda förrän nödstoppet eller nödsänkningen har återställts.

1. Återställ nödstoppet eller nödsänkningen genom att trycka på återställningsknappen (A).
2. Aktivera lyften på nytt med hjälp av handkontrollen.

6 Patientförflyttning

6.1 Allmän säkerhetsinformation


VARNING!
Risk för personskador eller sakskador

Felaktig användning av den här produkten kan orsaka personskador eller sakskador.

- Kontrollera att viktkapaciteten klarar av patientens vikt innan patienten flyttas till ett stationärt föremål (rullstol, säng, hygienstol eller annan yta).
- Om tillämpligt måste hjulens bromsar på det stationära föremålet (rullstolen, sängen osv.) vara aktiverade innan patienten sänks ner eller lyfts upp.


VARNING!
Risk för personskador eller sakskador

Skador som åsamkats delar av personlyften genom stöt i golv, väggar eller andra stationära föremål kan orsaka skada på produkten och leda till personskador.

- Låt INTE personlyftens delar stöta i golv, väggar eller andra stationära föremål.
- Förvara ALLTID manöverdosan på rätt sätt när den inte används.


VARNING!
Risk för personskador

Om krokarna eller manöverdosan hänger i luften finns det en risk för personskador hos patienten och vårdgivaren.

- Notera alltid var krokarna och manöverdosan finns vid användning av lyften.


VARNING!
Risk för att fastna eller strypas

Föremål i patientens omgivning kan leda till att patienten fastnar och stryps under lyftet. Så här undviker du att patienten fastnar eller stryps:

- Kontrollera att patienten inte sitter fast i något innan du lyfter.
- Låt inte manöverdosans sladd eller lyftbanden trassla in sig runt patienten eller vårdgivaren medan du lyfter.


VARNING!
Risk för att fastna

Det finns risk för att fastna mellan krokarna och lyftselen samt mellan krokarna och krokhölet.

- Var försiktig när du lyfter.
- Placera aldrig händerna eller fingrarna på eller i närheten av krokarna när du lyfter.
- Se till att patientens händer och fingrar inte är i närheten av krokarna innan du lyfter.


VIKTIGT!

Alla förflyttningsprocedurer som beskrivs nedan kan utföras av en (1) assistent. Invacare rekommenderar dock att procedurerna utförs av två (2) assistenter när det är möjligt.

6.2 Montera lyftselen


VARNING!
Risk för personskador

Om felaktiga eller skadade lyftselar används kan det leda till att patienten ramlar eller att vårdpersonalen skadas.

- Använd en lyftsele som har godkänts av Invacare och rekommenderats av brukarens läkare, sjuksköterska eller annan vårdpersonal i syfte att säkerställa brukarens komfort och säkerhet.
- Invacares lyftselar och personlyftstillbehör är särskilt utformade för att användas tillsammans med Invacares personlyftar.
- Efter varje tvätt (i enlighet med instruktionerna på lyftselen) måste lyftselen inspekteras beträffande slitage, revor och sömmar som gått upp.
- En lyftsele som är blekt, sliten, avklippt, fransig eller skadad är inte säker att använda och kan orsaka skador. Kassera den omedelbart.
- Lyftselar får INTE modifieras.


VARNING!
Risk för personskador

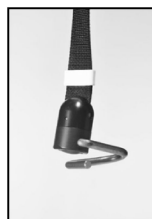
En lyftsele som inte är fäst eller justerad på rätt sätt kan leda till att patienten ramlar eller att vårdpersonalen skadas.

- Var noga med att kontrollera lyftselen varje gång lyftselen tas loss och byts ut för att säkerställa att den är korrekt fastsatt innan patienten flyttas från ett stationärt föremål (en säng, stol eller hygienstol).
- Du får INTE använda någon typ av inkontinensskydd eller sittdyna med plastöverdrag mellan patienten och lyftselematerialet som kan leda till att patienten glider ur lyftselen under förflyttningen.
- Placera patienten i lyftselen i enlighet med instruktionerna som följde med lyftselen.
- Justeringar för patientsäkerhet eller patientkomfort bör göras innan patienten flyttas.


Informationen i avsnittet är endast allmänna riktlinjer. Mer information om lyftselen finns i respektive bruksanvisning.

Taklyften ska användas tillsammans med en lyftsele med fyra till sex lyftband som monteras på krok.

Lyftselen öglor kan ha färgkodade band med olika längder som kan användas för att placera patienten i olika ställningar. Matcha motsvarande färger på båda sidorna av lyftselen för att lyfta patienten jämnt.



Banden till lyftselen ska krokas fast parvis (det ena från baksidan och det andra från benet) på respektive upphängningskrok.

 Om banden har vridit sig när du fäster lyftselen vid krokarna roterar banden rätt så att lyften kan användas utan problem.

6.3 Lyftinformation



VARNING!

Endast personal som har fått utbildning i hur lyftutrustningen används och hur selarna ska monteras får använda lyften.

- Planera förflyttningen. Brukaren får inte lämnas i lyftselen utan uppsikt.
- Taklyften förflyttar sig hastigt uppåt. Kontrollera att brukaren inte sitter fast i något innan du lyfter.
- Det får inte finnas någon risk för att patientens kroppsdelar fastnar.
- Kontrollera att det röda nödstopsbandet, handkontrollen och handkontrollens kabel inte är intrasslade i lyftbanden, brukaren eller andra föremål innan du aktiverar taklyften uppåt och nedåt.
- Taklyften används på rätt sätt genom att man lyfter brukaren precis så mycket att han eller hon inte rör vid underlaget. Sedan förflyttas brukaren på den höjden.

6.4 Lyfta till och från sittande ställning



Följ dessa anvisningar när du ska lyfta en person från sittande ställning (rullstol, hygienstol osv.).

1. Kör taklyften längs spåret mot den patient som ska lyftas.
2. Placera upphängningskrokarna i höjd med patientens bröstorg och inte närmare kroppen än mitt på låret.
3. Placera upphängningskrokarna parallellt med patientens axlar.
4. Sätt patienten i lyftselen. Se lyftselsens bruksanvisning.
5. Montera lyftselen på upphängningskrokarna. Se 6.2 *Montera lyftselen, sida 125*

6.5 Lyfta till och från liggande ställning



Följ dessa anvisningar när du ska lyfta en person från liggande ställning.

1. Kör taklyften längs spåret mot den patient som ska lyftas.
2. Placera upphängningskrokarna ovanför den patient som ska lyftas.
3. Placera upphängningskrokarna i linje med patientens axlar.
4. Sätt patienten i lyftselen. Se lyftselsens bruksanvisning.
5. Höj upp sängens huvudända så att brukaren sitter upp.
6. Montera lyftselen på upphängningskrokarna. Se 6.2 *Montera lyftselen, sida 125*

7 Underhåll

7.1 Allmän underhållsinformation



FÖRSIKTIGT!

Risk för personskador eller produktskador

- Utför inga underhålls- eller servicerutiner medan produkten används.

Följ de underhållsrutiner som beskrivs i den här bruksanvisningen för att produkten alltid ska kunna hållas i drift.

Ytterligare underhåll och kontroll, som måste utföras av en kvalificerad tekniker, beskrivs närmare i produktens servicemanual. Servicemanualer kan beställas från Invacare.

7.2 Daglig besiktning



WARNING!

Risk för personskador eller saksador

Säkerheten för personlyften kan påverkas av skadade eller slitna delar.

- Personlyften ska kontrolleras varje gång den används.
- Använd inte personlyften om du ser skador på den eller är osäker på säkerheten hos någon av personlyftens delar. Kontakta din Invacare-hjälpmiddelscentral omgående, och se till att personlyften inte används förrän reparationerna har utförts.

Kontrollista för daglig besiktning

- Inspektera lyftselar, lyftbygel (tillval), lyftband och lyftbandskrokar visuellt. Kontrollera alla delar beträffande skada eller slitage.
- Kontrollera nödstoppet och nödsänkningsfunktionen. Kontrollera alla delar beträffande yttre skada eller slitage.
- Kontrollera allt material och alla fästpunkter beträffande skada eller slitage. Kontrollera alla delar beträffande yttre skada eller slitage.
- Kontrollera att manöverdosan fungerar.
- Kontrollera batteriladdaren.
- Ladda batteriet varje dag som personlyften används.

7.3 Rengöring och desinfektion

7.3.1 Allmän säkerhetsinformation



FÖRSIKTIGT!

Risk för kontaminering

- Vidta försiktighetsåtgärder för dig själv och använd lämplig skyddsutrustning.



FÖRSIKTIGT!

Risk för elektriska stötar och produktskador

- Stäng av enheten och koppla ifrån elnätet, om tillämpligt.
- Vid rengöring av elektroniska komponenter bör du beakta deras skyddsklass gällande vatteninträning.
- Se till att inget vatten stänker på kontakten eller vägguttaget.
- Hantera aldrig eluttag med blöta händer.



VIKTIGT!

Felaktiga vätskor och metoder kan skada produkten.

- Alla rengöringsmedel och desinfektionsmedel som används måste vara effektiva, kompatibla med varandra och måste skydda de material som de är avsedda att rengöra.
- Använd aldrig korroderande vätskor (alkaliska ämnen, syror etc.) eller slipande rengöringsmedel. Vi rekommenderar ett vanligt rengöringsmedel för hushållsbruk som t.ex. diskmedel, om inte annat anges i rengöringsanvisningarna.
- Använd aldrig ett lösningsmedel (cellulosathinner, aceton etc.) som ändrar strukturen i plasten eller löser upp fästa etiketter.
- Se alltid till att produkten är helt torr innan den tas i bruk igen.



För rengöring och desinfektion i kliniska eller långvårdsmiljöer gäller riktlinjer för institutionell hygien.

7.3.2 Rengöringsintervall



VIKTIGT!

Regelbunden rengöring och desinfektion förbättrar smidig drift, förlänger livslängden och förhindrar kontaminering.

Rengör och desinficera produkten

- regelbundet då den är i bruk,
- före och efter underhållsprocedurer,
- när den har kommit i kontakt med kroppsvätskor,
- innan den används med en ny brukare.

7.3.3 Instruktioner för rengöring



VIKTIGT!

- Produkten tål inte rengöring i automatiska tvättanläggningar med högtryckstvätt eller ångrengöring.

Rengöra personlyften

Metod: Torka av produkten med en våt trasa eller en mjuk borste.

Max. temperatur: 40 °C

Lösningsmedel/kemikalier: Vanligt hushållsrengöringsmedel och vatten.

Torkning: Torka torrt med en mjuk trasa.

Rengöra lyftselen

Se tvättnanvisningarna på lyftselen och i lyftselens bruksanvisning för information om rengöring.

7.3.4 Instruktioner för desinficering



Information om rekommenderade desinfektionsmedel finns på <https://vah-online.de/en/for-users>.

Vid vård i hemmet

Metod: Följ rekommendationerna för valt desinfektionsmedel och desinficera genom att torka av alla åtkomliga ytor.

Desinfektionsmedel: Vanligt desinfektionsmedel för hushållsbruk.

Torkning: Låt produkten lufttorka.

Vid vård på sjukhus och långtidsvård

Följ arbetsplatsens egna desinficeringsrutiner och använd endast de desinfektionsmedel och metoder som anges.

7.4 Serviceintervall



WARNING!

Risk för personskador eller sakskador

Service får endast utföras av en behörig tekniker.
– Kontakta din Invacare-hjälpmiddelscentral för service.

Service måste utföras åtminstone var 12:e månad om inte något annat anges i lokala krav.

Inspektionsfrekvensen måste ökas om produkten kontinuerligt utsätts för hög luftfuktighet, hög kondensation och frätande ämnen (t.ex. klor- eller ammoniakgaser) för att förhindra att produktens funktion försämras.

7.4.1 LOLER Statement

The UK Health and Safety Executive's Lifting Operations and Lifting Equipment Regulations 1998, require any equipment that is used in the workplace to lift a load be subject to safety inspection on a six monthly basis. Please refer to the HSE web site for guidance www.hse.gov.uk.

The person responsible for the equipment must ensure adherence to LOLER regulations.

7.5 Batteriunderhåll

Om ljudsignalen hörs och den blå indikatorlampan på lyften blinkar trots att lyftens batteri är fulladdat och endast har använts en kortare tid kan batteriet behöva underhåll.

Batteriet behöver underhåll med jämna mellanrum så att det kan laddas helt.

Underhåll kan också behövas efter en längre tids förvaring av batteriet.

I situationer då lyften används sällan och/eller handkontrollen förvaras i laddaren under en längre tid rekommenderas också underhåll. I dessa fall finns det batterikapacitet för ett fåtal lyft men underhåll av batteriet bör utföras så snart som möjligt därefter.

Underhåll av batteriet kan utföras genom att man laddar och laddar ur det helt ett antal gånger.

1. Ladda batteriet tills den gröna lampan lyser.
2. Lyft handkontrollen från laddaren.
3. Höj och sänk lyftbanden med last under en minut.
4. Vänta tio minuter.
5. Upprepa punkt 3 till 4 tills batteriet är helt urladdat.



Fortsätt även när ljudsignalen hörs och den blå lampan blinkar som tecken på att batterikapaciteten är låg.

6. Upprepa punkt 1 till 5 två eller tre gånger.

8 Återanvändning

8.1 Transport och förvaring

Invacares rekommendation är att taklyften alltid transporteras och förvaras i originalförpackningen. Ställ taklyften på mjukt underlag, till exempel en trasa eller skumgummimatta.

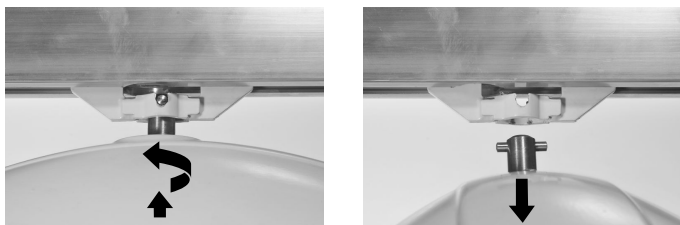
Vid längre tids förvaring måste nödstoppet aktiveras. På så vis minskar urladdningen av batteriet. Se 5.7 Nödstopp, sida 123

Förvaringsförhållanden för taklyften finns i 10.3 Användningsmiljö, sida 132

8.2 Demontera taklyften

Taklyften kan demonteras för transport eller förvaring.

Robin®



1. Lyft upp lyften en aning och tryck ut upphängningssprinten ur hållaren i transportvagnen.
2. Vrid lyften 90 grader och dra den uppåt och ut ur transportvagnen.

Robin® Mover

Kontakta Invacares ombud eller återförsäljare om du vill att taklyften ska demonteras av en kvalificerad servicetekniker.

8.3 Kassering



VARNING!

Fara för miljön

- Enheten innehåller batterier. Produkten kan innehålla ämnen som kan vara skadliga för miljön om produkten kasseras på platser (deponier) som inte är lämpliga enligt lagstiftningen.
- Batterier får INTE slängas i hushållsavfallet.
 - Batterier **MÅSTE** tas om hand på lämplig plats. Returen krävs enligt lag och är utan kostnad.
 - Kassera endast urladdade batterier.
 - Täck kontaktorna på litiumbatterier före kassering.
 - För information om batterityp, se batteriets etikett eller avsnitt 10 Teknisk Data, sida 132

Tänk på miljön och återvinn produkten genom att lämna in den på en återvinningscentral när den inte längre kan användas.

Ta isär produkten och dess komponenter så att de olika materialerna kan separeras och återvinnas individuellt.

Kassering och återvinning av begagnade produkter och förpackningar måste följa de lagar och föreskrifter som gäller för avfallshandling i respektive land. Kontakta det företag som sköter den lokala avfallshandlingen för att få information.

8.4 Rekonditionering

Den här produkten kan återanvändas. Gör följande när produkten ska rekonditioneras för en ny användare:

- Inspektion
- Rengöring och desinfektion

Detaljerad information finns i 7 Underhåll, sida 127 och i servicemanualen för produkten.


Se till att bruksanvisningen överlämnas tillsammans med produkten.

Om skador eller fel upptäcks ska produkten inte återanvändas.

9 Felsökning

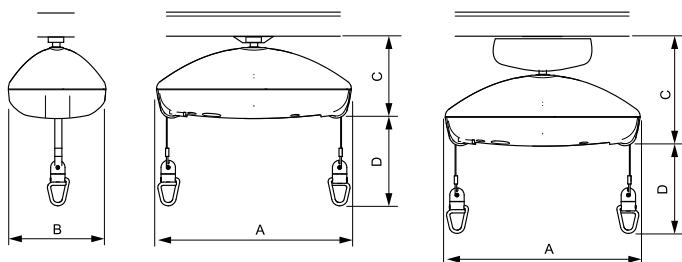
9.1 Felsökningstabell

TECKEN	PROBLEM	LÖSNING
Taklyften reagerar inte på handkontrollens knappar och knapparna upp/ned på lyften fungerar inte.	Nödstoppet har aktiverats	Kontrollera att nödstoppet inte har aktiverats. Se 5.9 Återställa nödstoppet eller nödsänkingsfunktionen, sida 124
	Systemet saknar strömtilförsel eller batteriet är urladdat	Ladda batteriet eller använd extrabatteriet. Se 5.5 Ladda batteriet, sida 122
	En säkring har gått	Säkringen måste bytas ut. Kontakta Invacares ombud eller återförsäljare för service.
Taklyften reagerar inte på handkontrollens knappar men knapparna upp/ned på lyften fungerar.	Handkontrollen är inte ordentligt ansluten	Kontrollera kontakten till handkontrollen. Se 4.4 Sätta i kontakten till handkontrollen, sida 121
	Fel på handkontrollen	Byt ut handkontrollen.
Lyftbanden går att köra nedåt men inte uppåt.	Batteriet är nästan urladdat	Ladda batteriet eller använd extrabatteriet. Se 5.5 Ladda batteriet, sida 122
	För hög belastning	Minska belastningen. Lyften är utrustad med överströmsskydd.
Lyftbanden går att köra uppåt men inte nedåt.	Fel på handkontrollen	Byt ut handkontrollen.
	Funktionen för lösa lyftband har aktiverats	Kontakta Invacares ombud eller återförsäljare för service.
Lyftens hastighet är oförändrad med och utan last	Höghastighetsfunktionen utan last har aktiverats permanent	Kontakta Invacares ombud eller återförsäljare för service.
Lyftbanden har vridit sig och rätas inte ut.	lyftbandskrokarna svänger inte tillräckligt fritt	Rengör eller byt ut krokarna. Kontakta Invacares ombud eller återförsäljare för service.
	Banden är fransiga	Kontakta Invacares ombud eller återförsäljare för att byta ut banden.
Taklyften rör sig inte i tvärgående riktning på skenan.	Skenan behöver service eller rengöring	Kontakta Invacares ombud eller återförsäljare för service.
	Transportvagnen är sliten eller skadad (endast Robin®)	Transportvagnen måste bytas ut. Kontakta Invacares ombud eller återförsäljare för service.
	Drivhjulen är slitna eller skadade (endast Robin® Mover)	Drivhjulen måste justeras. Kontakta Invacares ombud eller återförsäljare för service.
	Fel på handkontrollen (endast Robin® Mover)	Byt ut handkontrollen.
Taklyften avger höga ljud när den aktiveras.	Fel på hjullager, kugghjul eller motor	Lyften måste bytas ut. Kontakta Invacares ombud eller återförsäljare för service.
Taklyften laddas inte	Systemet saknar strömtilförsel	Kontrollera att elnätet fungerar och att enheten är ansluten till laddningsstationen.
		Kontakta Invacares ombud eller återförsäljare för service.
Ingen indikatorlampa lyser på lyften	Systemet saknar strömtilförsel eller batteriet är urladdat	Kontrollera att taklyften är ansluten till elnätet och att batteriet är laddat.
		Sätt handkontrollen i laddningsstationen och ladda taklyften.
Lyften stängs inte av med det röda nödstoppet	Taklyften behöver service.	Kontakta Invacares ombud eller återförsäljare för service.
Lyften sänks inte nedåt med det röda nödstoppet.	Taklyften behöver service.	Kontakta Invacares ombud eller återförsäljare för service.

 Kontakta Invacares ombud eller återförsäljare om problemen inte går att lösa med de föreslagna åtgärderna.

10 Teknisk Data

10.1 Mått och vikt




Mått

	Robin®	Robin® Mover
Lyftens längd (A)	470 mm	470 mm
Lyftens bredd (B)	250 mm	250 mm
Lyftens höjd (C)	203 mm	266 mm
Maximalt lyftområde (D)	2,5 m	2,5 m

Vikter

	Robin®	Robin® Mover
Maximal lyftkapacitet (säker arbetsbelastning)	200 kg	200 kg
Total vikt utan lyftsele	7,3 kg	10 kg

10.2 Elektriskt system

	Robin®	Robin® Mover
Maximal ingående strömstyrka	0,9 A	
Kapslingsklass ¹	Hela enheten: IPx4 (taklyft: IP24, manöverdosa: IP44)	
Isoleringsklass	Klass II-utrustning	
	Patientansluten del typ B Den patientanslutna delen uppfyller kraven för skydd mot elektriska stötar i enlighet med IEC60601-1.	
Ljudnivå	50–55 dB (A)	
Antal lyft per laddning	65 lyft på 0,5 m med 80 kg	

	Robin®	Robin® Mover
Intermittent (periodisk motoranvändning)	10 %, max 2 min/18 min	
Batteri	NiMH-batteri 24 V/1,9 Ah	
Laddningstid	Upp till 3 timmar vid 20 °C	
Lyfthastighet med 200 kg last	2,1 cm/s	2,1 cm/s
Tvärgående hastighet i spåren	ej tillämpligt	14 cm/s

Laddare

Spänningsutgång	Laddningskabel 25 – 36 V DC Högsta belastning: 41 V DC
Spänningsmatning	100 – 240 V AC, 50 – 60 Hz
Kapslingsklass ¹	IP41 eller IP67 (beroende på version)

¹ Information om skyddsklass finns på produktetiketten och etiketten på respektive elektrisk enhet. Den lägsta IP-klassificeringen bestämmer produktens totala klassificering.

- IPx4: Skydd mot inträngande vatten som strilar från alla riktningar.
- IP24: Skydd mot inträngande av fasta föremål större än 12,5 mm och inträngande vatten som strilar från alla riktningar.
- IP44: Skydd mot inträngande av fasta föremål större än 1 mm och inträngande vatten som strilar från alla riktningar.
- IP41: Skydd mot inträngande av fasta föremål större än 1 mm och inträngande vatten som droppar vertikalt.
- IP67: Dammtålighet och skydd mot tillfällig nedsänkning i vatten.

10.3 Användningsmiljö

	Förvaring och transport	Drift
Temperatur	-30 °C till +50 °C	+5 °C till +40 °C
Relativ luftfuktighet	10 % till 70 %	20 % till 90 % vid 30 °C, icke-kondenserande
Atmosfäriskt tryck	700 hPa till 1 060 hPa	



Låt produkten nå driftstemperatur före användning:

- Uppvärmning från lägsta förvaringstemperatur kan ta upp till 24 timmar.
- Nedkyllning från högsta förvaringstemperatur kan ta upp till 24 timmar.

11 Elektromagnetisk kompatibilitet (EMC)

11.1 Allmän EMC-information

Medicinsk elektrisk utrustning måste installeras och användas i enlighet med EMC-informationen i den här manualen.

Denna produkt har testats och bekräftats uppfylla de EMC-gränser som anges av IEC/EN 60601-1-2 för utrustning tillhörande klass B.

Bärbar och mobil kommunikationsutrustning som använder RF kan påverka driften av denna produkt.

Andra enheter kan störas även av de lägsta nivåerna av elektromagnetisk strålning som tillåts av ovannämnd standard. För att fastställa om utstrålning från denna produkt orsakar störningar, starta produkten och stäng av den. Om störningarna upphör för de andra enheterna är det denna produkt som orsakar störningarna. I sådana sällsynta fall kan störningen minskas eller åtgärdas på följande sätt:

- Placera om, flytta eller öka avståndet mellan enheterna.

11.2 Elektromagnetisk strålning

Riktlinjer och tillverkarens deklARATION

Denna produkt är avsedd för användning i den elektromagnetiska miljö som anges nedan. Kunden eller användaren av denna produkt måste försäkra sig om att den används i en sådan miljö.


Strålningstest	Överensstämmelse	Elektromagnetisk miljö – riktlinjer
RF-strålning CISPR 11	Grupp I	Denna produkt använder endast RF-energi för sin interna funktion. Därför är dess RF-strålning mycket låg och orsakar sannolikt ingen interferens hos närliggande elektronisk utrustning.
RF-strålning CISPR 11	Klass B	Denna produkt är lämplig för användning i alla institutioner inklusive boenden och platser som är direkt anslutna till det allmänna lågspänningsnätet som förser byggnader med el för hushållsändamål.
Harmonisk utstrålning IEC 61000-3-2	Klass A	
Spännings- variationer/ flimmerutstrålning IEC 61000-3-3	Överensstämmer	


11.3 Elektromagnetisk integritet

Riktlinjer och tillverkarens deklARATION

Denna produkt är avsedd för användning i den elektromagnetiska miljö som anges nedan. Kunden eller användaren av denna produkt måste försäkra sig om att den används i en sådan miljö.

Immunitetstest	Test / Nivå på överensstämmelse	Elektromagnetisk miljö – riktlinjer
Elektrostatisk urladdning (ESD) IEC 61000-4-2	± 8 kV kontakt ± 2 kV, ± 4 kV, ± 8 kV, ± 15 kV luft	Golv ska vara av trä, betong eller keramik. Om golven är täckta av syntetmaterial ska den relativa luftfuktigheten vara minst 30 %.
Elektrostatiska transienter/ pulsskuror IEC 61000-4-4	± 2 kV för elnätsledning; 100 kHz repetitionsfrekvens ± 1 kV för ledningar in/ut; 100 kHz repetitionsfrekvens	Kvaliteten på nätströmmen ska vara likvärdig med den i en typisk kommersiell miljö eller sjukhusmiljö.
Överspänning IEC 61000-4-5	± 1 kV ledning till ledning ± 2 kV ledning till jord	Kvaliteten på nätströmmen ska vara likvärdig med den i en typisk kommersiell miljö eller sjukhusmiljö.

Immunitetstest	Test / Nivå på överensstämmelse	Elektromagnetisk miljö – riktlinjer
Spänningsfall, korta avbrott och spänningsvariationer i elnätets ingångsledningar IEC 61000-4-11	< 0 % U_T för 0,5 cykel vid steg på 45° 0 % U_T för 1 cykel 70 % U_T för 25 / 30 cykler < 5 % U_T för 250 / 300 cykler	Kvaliteten på nätströmmen ska vara likvärdig med den i en typisk kommersiell miljö eller sjukhusmiljö. Om användaren av denna produkt behöver kontinuerlig användning under strömavbrott på elnätet, rekommenderas att produkten drivs från en UPS-enhet eller ett batteri. U_T är nätspänningen innan testnivån tillämpas.
Strömfrekvensens (50/60 Hz) magnetfält IEC 61000-4-8	30 A/m	Strömfrekvensens magnetfält ska vara på normala nivåer för en typisk placering i en typisk kommersiell miljö eller sjukhusmiljö.
Ledningsbunden RF IEC 61000-4-6	3 V 150 kHz till 80 MHz 6 V i banden för ISM- och amatörradio	Fältstyrkor från fasta sändare, t.ex. basstationer för radiotelefoner (mobila/trådlösa) och landmobilradio, amatörradio, AM- och FM-radiosändningar och TV-sändningar, kan inte med säkerhet förutsägas teoretiskt. För att utvärdera den elektromagnetiska miljön med avseende på fasta RF-sändare ska en elektromagnetisk platsundersökning övervägas. Om den uppmätta fältstyrkan på den plats där produkten används överskrider ovanstående tillämpliga nivåer för överensstämmelse med RF-krav, ska produkten observeras för att verifiera normal drift. Om onormala prestanda iaktas kan ytterligare åtgärder vara nödvändiga, såsom att produkten förflyttas eller vänds. Interferens kan förekomma i närheten av utrustning som är markerad med följande symbol: 
Utstrålad RF IEC 61000-4-3	10 V/m 80 MHz till 2,7 GHz För testspecifikationerna för 385 MHz–5785 MHz för integritet gentemot trådlös kommunikationsutrustning med RF, se tabell 9 i IEC 60601-1-2:2014	Bärbar och mobil kommunikationsutrustning med RF bör inte användas inom ett avstånd på 30 cm från någon del av denna produkt, inklusive kablar.


 Dessa riktlinjer gäller kanske inte i alla situationer. Elektromagnetisk utbredning påverkas av absorption och reflektion från byggnader, föremål och människor.

11.4 Testfakta för immunitet mot trådlös RF-kommunikationsutrustning

IEC 60601-1-2:2014 – Tabell 9

Testfrekvens (MHz)	Band ^{a)} (MHz)	Tjänst ^{a)}	Modulering ^{b)}	Maximal effekt (W)	Avstånd (m)	Testnivå för immunitet (V/m)
385	380 - 390	TETRA 400	Pulsmodulering ^{b)} 18 Hz	1,8	0,3	27
450	430 - 470	GMRS 460, FRS 460	FM ^{c)} ±5 kHz avvikelse 1 kHz sinus	2	0,3	28
710 745 788	704 - 787	LTE Band 13, 17	Pulsmodulering ^{b)} 217 Hz	0,2	0,3	9

Testfrekvens (MHz)	Band ^{a)} (MHz)	Tjänst ^{a)}	Modulering ^{b)}	Maximal effekt (W)	Avstånd (m)	Testnivå för immunitet (V/m)
810 870 930	800 - 960	GSM 800/900, TETRA 800, iDEN 820, CDMA 850, LTE-band 5	Pulsmodulering ^{b)} 18 Hz	2	0,3	28
1720 1845 1970	1700 - 1990	GSM 1800, CDMA 1900, GSM 1900, DECT LTE-band 1, 3, 4, 25, UMTS	Pulsmodulering ^{b)} 217 Hz	2	0,3	28
2450	2400 - 2570	Bluetooth, WLAN, 802.11 b/g/n, RFID 2450, LTE-band 7	Pulsmodulering ^{b)} 217 Hz	2	0,3	28
5240 5500 5785	5100 - 5800	WLAN 802.11 a/n	Pulsmodulering ^{b)} 217 Hz	0,2	0,3	9

 Om det behövs för att uppnå testnivån för immuniteten kan avståndet mellan den sändande antennen och den medicintekniska utrustningen eller systemet minskas till 1 m. Testavståndet på 1 m är tillåtet enligt IEC 61000-4-3.

a) För vissa tjänster ingår endast upplänkfrequenserna.

b) Bär vågen ska moduleras med en fyrkantsvågssignal med 50 % pulslängd.

c) Som ett alternativ till FM-modulering kan 50 % pulsmodulering vid 18 Hz användas. Även om det inte är faktisk modulering kan det användas i värsta fall.

Invacare Distributors

Belgium & Luxemburg:

Invacare nv
Autobaan 22
B-8210 Loppem
Tel: (32) (0)50 83 10 10
Fax: (32) (0)50 83 10 11
belgium@invacare.com
www.invacare.be

Italia:

Invacare Mecc San s.r.l.,
Via dei Pini 62,
I-36016 Thiene (VI)
Tel: (39) 0445 38 00 59
Fax: (39) 0445 38 00 34
italia@invacare.com
www.invacare.it

United Kingdom:

Invacare Limited
Pencoed Technology Park,
Pencoed
Bridgend CF35 5AQ
Tel: (44) (0) 1656 776 222
Fax: (44) (0) 1656 776 220
uk@invacare.com
www.invacare.co.uk

Danmark:

Invacare A/S
Sdr. Ringvej 37
DK-2605 Brøndby
Tel: (45) (0)36 90 00 00
Fax: (45) (0)36 90 00 01
denmark@invacare.com
www.invacare.dk

Nederland:

Invacare BV
Galvanistraat 14-3
NL-6716 AE Ede
Tel: (31) (0)318 695 757
Fax: (31) (0)318 695 758
nederland@invacare.com
www.invacare.nl

France:

Invacare Poirier SAS
Route de St Roch
F-37230 Fondettes
Tel: (33) (0)2 47 62 64 66
Fax: (33) (0)2 47 42 12 24
contactfr@invacare.com
www.invacare.fr

Norge:

Invacare AS
Grensesvingen 9, Postboks 6230,
Etterstad
N-0603 Oslo
Tel: (47) (0)22 57 95 00
Fax: (47) (0)22 57 95 01
norway@invacare.com
www.invacare.no

Ireland:

Invacare Ireland Ltd,
Unit 5 Seatown Business Campus
Seatown Road, Swords, County
Dublin
Tel : (353) 1 810 7084
Fax: (353) 1 810 7085
ireland@invacare.com
www.invacare.ie

Sverige:

Invacare AB
Fagerstagatan 9
S-163 53 Spånga
Tel: (46) (0)8 761 70 90
Fax: (46) (0)8 761 81 08
sweden@invacare.com
www.invacare.se



Invacare Portugal, Lda
Rua Estrada Velha 949
4465-784 Leça do Balio
Portugal

