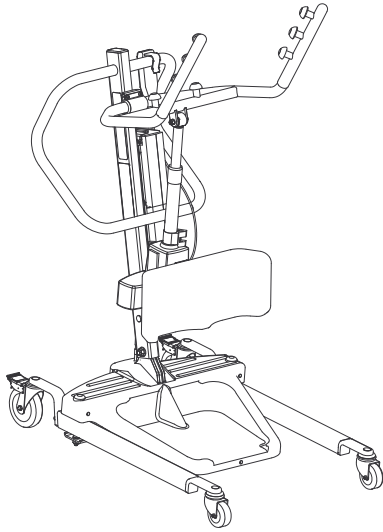


Invacare® Stand Assist

RPS350-1E, RPS350-1FR



| | | |
|----|--|-----|
| en | Patient Lift User Manual | 3 |
| de | Aufstehlift Gebrauchsanweisung..... | 45 |
| es | Grúa de bipedestación Manual del usuario | 95 |
| fi | Potilasnostin Käyttöohje | 137 |
| fr | Lève-personne verticalisateur Manuel d'utilisation..... | 181 |
| it | Sollevatore paziente Manuale d'uso..... | 228 |
| nl | Stand Assist Patiëntlift Gebruiksaanwijzing | 273 |
| pt | Elevador de transferência Manual de utilização..... | 318 |



This manual **MUST** be given to the user of the product.
BEFORE using this product, read this manual and save for future reference.



Yes, you can.®

© 2017 Invacare Corporation.

All rights reserved. Reproduction, duplication or modification in whole or in part is prohibited without prior written permission from Invacare. Trademarks are identified by ™ and ®. All trademarks are owned by or licensed to Invacare Corporation or its subsidiaries unless otherwise noted. A spare parts catalog is available upon request.

Contents

This manual MUST be given to the user of the product.
BEFORE using this product, read this manual and save for future reference.

| | |
|--|-----------|
| 1 General | 4 |
| 1.1 Symbols | 4 |
| 1.2 Intended Use | 5 |
| 1.2.1 Contraindications | 5 |
| 1.3 Included Items | 6 |
| 1.4 Service Life | 7 |
| 1.5 Warranty Information | 7 |
| 2 Safety | 8 |
| 2.1 General Guidelines | 8 |
| 2.2 Operating Information | 8 |
| 2.2.1 General | 9 |
| 2.2.2 Positioning | 10 |
| 2.2.3 Disposal | 10 |
| 2.3 Radio Frequency Interference | 11 |
| 2.4 Product Labeling | 12 |
| 3 Setup | 13 |
| 3.1 Safe Assembly | 13 |
| 3.2 Assembling the Mast to the Base | 14 |
| 3.3 Preparing the Lift for Use | 14 |
| 3.4 Installing the Shifter Handle | 15 |
| 3.5 Attaching the Battery Charger Mounting Bracket to the Wall | 15 |
| 4 Usage | 17 |
| 4.1 Introduction | 17 |
| 4.2 Closing/Opening Legs | 17 |
| 4.2.1 Closing/Opening Manual Legs | 17 |
| 4.3 Locking/Unlocking the Rear Casters | 18 |
| 4.4 Raising/Lowering the Lift | 18 |

| | |
|---|-----------|
| 4.4.1 Raising/Lowering an Electric Lift | 18 |
| 4.5 Activating a Mechanical Emergency Release | 19 |
| 4.5.1 Primary Emergency Release | 19 |
| 4.5.2 Secondary Emergency Release | 19 |
| 4.6 Performing an Emergency Stop | 20 |
| 4.7 Charging the Battery | 20 |
| 4.7.1 Battery Indicator | 20 |
| 4.7.2 Using a Power Cord to Charge the Battery | 22 |
| 4.7.3 Using the Battery Charger to Charge the Battery | 23 |
| 5 Lifting the Patient | 24 |
| 5.1 Safe Lifting | 24 |
| 5.2 Positioning the Stand Assist Lift | 26 |
| 5.3 Lifting the Patient | 27 |
| 5.4 Moving the Patient | 29 |
| 6 Transferring the Patient | 30 |
| 6.1 Safe Transfer | 30 |
| 6.2 Transferring to a Commode | 31 |
| 6.3 Transferring to a Wheelchair | 33 |
| 6.4 Transferring to a Bed | 34 |
| 7 Troubleshooting | 35 |
| 7.1 Troubleshooting Table | 35 |
| 8 Maintenance | 37 |
| 8.1 Maintenance Safety Inspection Checklist | 37 |
| 8.2 Cleaning the Sling and the Lift | 38 |
| 8.3 Reuse | 39 |
| 8.4 Detecting Wear and Damage | 39 |
| 8.5 Lubricating the Lift | 39 |
| 8.6 Adjusting the Base | 40 |
| 8.7 Replacing the Electric Actuator | 41 |
| 8.8 Adjusting the Knee Pad Height | 41 |
| 9 Technical Data | 43 |
| 9.1 RPS3501E and RPS3501FR Stand Assist Patient Lift | 43 |

1 General

1.1 Symbols

Signal words are used in this manual and apply to hazards or unsafe practices which could result in personal injury or property damage. See the information below for definitions of the signal words.



WARNING!

– Warning indicates a potentially hazardous situation which, if not avoided, could result in death or serious injury.



CAUTION!

– Caution indicates a potentially hazardous situation which, if not avoided, may result in property damage or minor injury or both.



IMPORTANT

– Indicates a hazardous situation that could result in damage to property if it is not avoided.



Gives useful tips, recommendations and information for efficient, trouble-free use.



Date of manufacture.



This product complies with Directive 93/42/EEC concerning medical devices.

The launch date of this product is stated in the CE declaration of conformity.



Read Manual



Audible tone when battery low. Refer to 4.7 *Charging the Battery*, page 20.



Caster lock.



Open/close Legs



Raise/lower the lift arms



Emergency stop



Safe Working Load



Double Insulated, Class II equipment



Type B applied part



Recycle this product. Refer *2.2.3 Disposal, page 10*.

1.2 Intended Use



WARNING!

Risk of Falling

The Invacare stand assist lift is NOT a transport device. It is intended to transfer an individual from one resting surface to another (such as a bed to a wheelchair).

Invacare slings and patient lift accessories are specifically designed to be used in conjunction with Invacare patient lifts.

To avoid injury or falls:

- Patients who are transferred and positioned using the stand assist lift **MUST** be cooperative, coherent and have head and neck control. Otherwise, injury may occur.
- Patients who are transferred and positioned using the stand assist sling **MUST** be able to support a majority of their own weight. Otherwise, injury or damage may occur. Refer to the sling user manual for more information.

Stand assist lifts are battery-powered transfer devices, designed to be used in most of the common lifting situations, for example:

- Between the bed and a wheelchair

- To and from the toilet

The stand assist lift is only intended to lift patients up to the maximum weight limit stated in technical data.

Selecting the appropriate slings and accessories for each individual is important to assure safety when using a patient lift. See Invacare's sling and accessory user manuals for further information on those devices.

Invacare recommends that the patient be transferred to a shower chair or other means for bathing.

The stand assist lift can be turned (rotated) in place for transfers with limited floor space.

1.2.1 Contraindications

The stand assist patient lift is contraindicated for patients who:

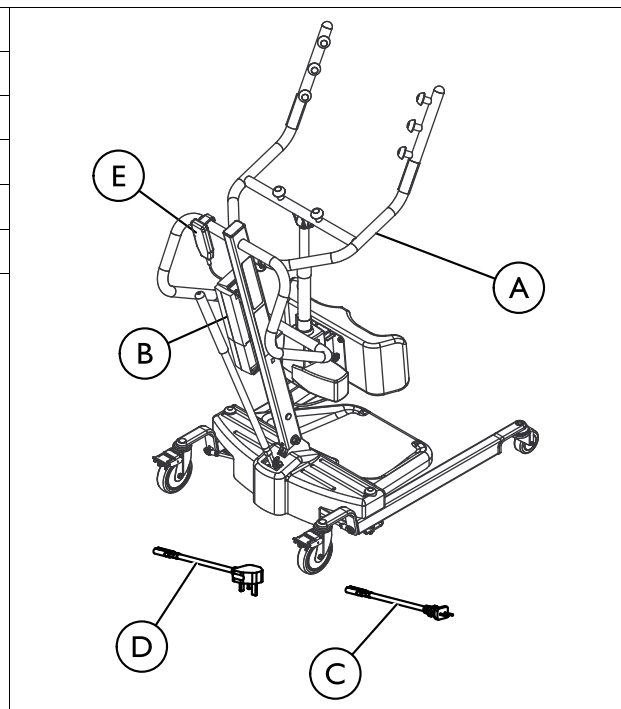
- are not cooperative
- are not coherent
- do not have head and neck control

Some slings designed for the stand assist patient lift are contraindicated for patients who cannot support the majority of their weight. Refer to the sling user manual for more information.

1.3 Included Items

The items listed in the tables are included in your package. Slings are sold separately. The wall charger may be sold separately.

| Item | Description | Quantity |
|------|------------------------------------|----------|
| A | Lifter | 1 |
| B | Battery | 1 |
| C | Charging Cord, EU | 1 |
| D | Charging Cord, UK (RPS350-1E only) | 1 |
| E | Hand Pendant | 1 |
| F | Lifter User Manual (not shown) | 1 |



1.4 Service Life



WARNING!

Risk of Injury or Damage

The product has been tested for the service life stated in this manual. Use of the product beyond this time period may cause product damage and injury.

- Only use the product for the service life stated in this manual. DO NOT exceed the service life of the product.
- Remove the product from service when the service life has been met. DO NOT continue to use the product.
- Perform all maintenance according to the recommended schedule in this manual.

The mobile patient lift has an expected lifetime of 8 years when used in accordance with safety instructions, maintenance intervals and correct use, stated in this manual. The effective product lifetime can vary according to frequency and intensity of use.

Actuator Service Life

| Number of lifts per day | Service life of actuator (in years) |
|--------------------------------|--|
| 1–2 | 10 |
| 3 | 9 |
| 4 | 6 |
| 5 | 5 |

| Number of lifts per day | Service life of actuator (in years) |
|--------------------------------|--|
| 6 | 4 |
| 7–9 | 3 |
| 10–13 | 2 |
| 14–27 | 1 |

1.5 Warranty Information

Terms and conditions of the warranty are part of the general terms and conditions particular to the individual countries in which this product is sold.

Contact information for your local Invacare office is located inside the back cover of this manual.

2 Safety

2.1 General Guidelines

**WARNING!**

– DO NOT use this product or any available optional equipment without first completely reading and understanding these instructions and any additional instructional material such as user manuals, service manuals or instruction sheets supplied with this product or optional equipment. If you are unable to understand the warnings, cautions or instructions, contact a healthcare professional, dealer or technical personnel before attempting to use this equipment - otherwise, injury or damage may occur.

ACCESSORIES WARNING

Invacare products are specifically designed and manufactured for use in conjunction with Invacare accessories.

Accessories designed by other manufacturers have not been tested by Invacare and are not recommended for use with Invacare products. In certain instances, the use of other manufacturer's slings may be possible.

– Contact your local Invacare office for more information about accessories.

**NOTICE**

– The information contained in this document is subject to change without notice.

Check all parts for shipping damage before using. In case of damage, DO NOT use the equipment. Contact the Dealer or Invacare representative for further instructions.

2.2 Operating Information

This section of the manual contains general safety information about your product. For specific safety information, refer to the appropriate section of the manual and procedures within that section. For instance, for safety information related to assembling the lift, refer to the Setup section of the manual.

2.2.1 General



WARNING! **Risk of Falling**

DO NOT attempt any transfer without approval of the patient's physician, nurse or medical assistant. Thoroughly read the instructions in this user manual, observe a trained team of experts perform the lifting procedures and then perform the entire lift procedure several times with proper supervision and a capable individual acting as a patient.

- Use common sense in all lifts. Special care **MUST BE** taken with people with disabilities who cannot cooperate while being lifted.
- Use steering handle on the mast at all times to push or pull the patient lift.
- Be sure to check the sling attachments each time the sling is removed and replaced, to ensure that it is properly attached before the patient is removed from a stationary object (bed, chair or commode).



WARNING! **Risk of Injury or Damage**

The patient lift can be used indoors or outdoors. Some surfaces may cause the lift to be unstable and cause injury or damage.

The lift can be used in the shower or bath area, but excessive moisture will damage the lift and may cause injury.

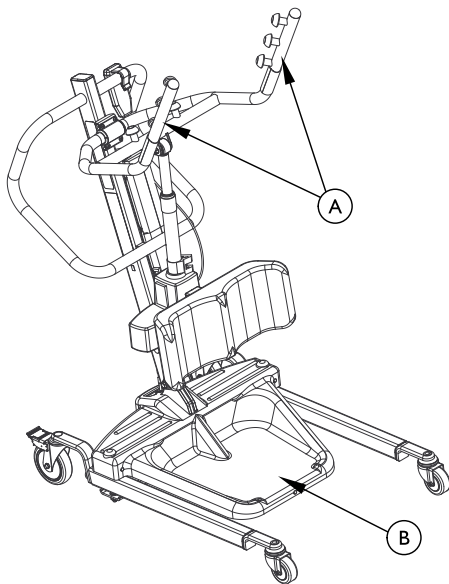
- Avoid using the lift on an incline. Invacare recommends that the lift only be used on a flat surface.
- DO NOT roll casterbase over uneven surfaces that may cause the patient lift to tip over.
- DO NOT use the patient lift in the shower or bath or in any prolonged moisture environment.
- Ensure that the patient lift is wiped clean of any moisture after use.
- DO NOT store the lift in a damp area or in a damp condition. Refer to the storage temperature, humidity and pressure ranges listed in *7.1 Troubleshooting Table, page 35*.
- Periodically inspect all components of the patient lift for signs of corrosion. Replace all parts that are corroded or damaged.

2.2.2 Positioning



WARNING! **Risk of Injury**

- ALWAYS be aware of the Lift Arms. Injury to the patient and/or assistant may occur.
- ALWAYS be aware of the Footrest, especially the patient's position on the footrest. Injury to the patient and/or assistant may occur.



Ⓐ = Lift Arms

Ⓑ = Foot plate

2.2.3 Disposal



WARNING! **Environmental Hazard**

This product has been supplied from an environmentally aware manufacturer that complies with the Waste Electrical and Electronic Equipment (WEEE) Directive 2012/19/EU. Device contains lead acid batteries.

This product may contain substances that could be harmful to the environment if disposed of in places (landfills) that are not appropriate according to legislation.

- DO NOT dispose of batteries in normal household waste. They MUST be taken to a proper disposal site. Contact your local waste management company for information.
- Please be environmentally responsible and recycle this product through your recycling facility at its end of life.

2.3 Radio Frequency Interference



WARNING!

Risk of Injury or Damage

Most electronic equipment is influenced by Radio Frequency Interference (RFI).

CAUTION should be exercised with regard to the use of portable communication equipment in the area around such equipment, otherwise injury or damage may occur.


If RFI causes erratic behavior:

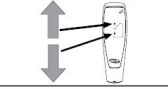
- PUSH the Red Power Switch OFF IMMEDIATELY.
- DO NOT turn the Power Switch ON while transmission is in progress.

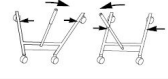
2.4 Product Labeling

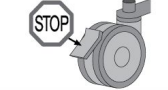
SWL

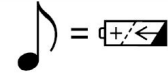
159kg








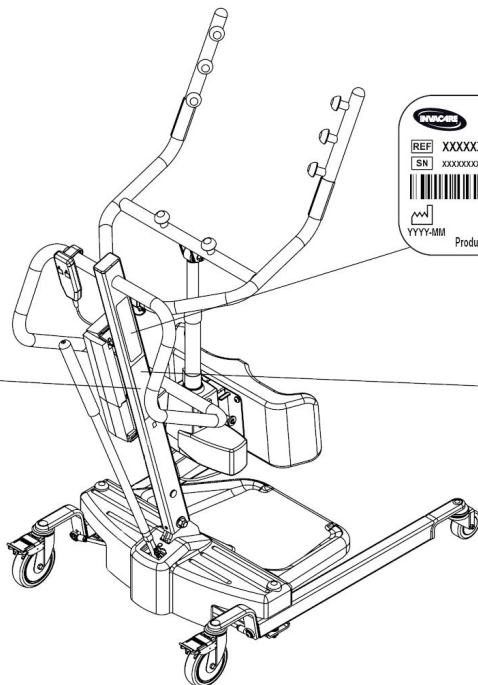







1171742 Rev B


RPS350-IFR






Invacare Portugal, Lda
 Rua Estrada Vélha 949
 4465-784 Leça do Balio, Portugal

ISO 18535





REF XXXXXX XXXXX_XX
 SM XXXXXXXXXXXXX


XXXXXXX XXXX
 XXXXXXX XXXX
 XXXXXXX XXXX
 XXXXXXX XXXX
 XXXXXXX XXXX



YYY-MM
 Product name


 xxx kg

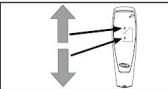


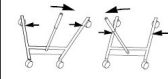


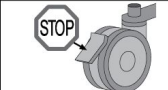
SWL

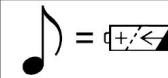
159kg














1167425 Rev B

RPS350-IE

3 Setup

3.1 Safe Assembly



WARNING!
Risk of Injury

- Improper assembly may cause injury or damage.
- Assembly **MUST** be performed only by qualified personnel.
 - Use only Invacare parts in the assembly of this patient lift. The lift components are manufactured to specifications that assure correct alignment of all parts for safe functional operation.
 - **DO NOT** overtighten the mounting hardware. This will damage the mounting bracket.



There are no tools required to assemble the patient lift.

If there are any issues or questions during assembly, contact a local Invacare representative. Refer to the contact information in the back of this manual.

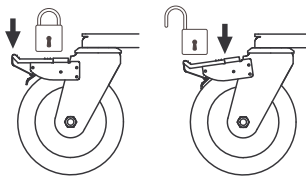
3.2 Assembling the Mast to the Base



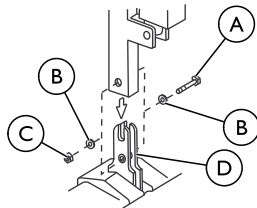
WARNING!


– Use only Invacare parts in the assembly of this patient lift. The base legs, the mast, boom, pump assembly and swivel bar are manufactured to specifications that assure correct alignment of all parts for safe functional operation.

DETAIL A



DETAIL B



1. Put the base on the floor.
 Make sure all four casters make contact with the floor.
2. Lock both rear casters Refer to Detail A.
3. Remove the hex bolt, washers and nut that are located in the U-shape cut-out of the base Refer to Detail B.
4. Lift the mast to an upright position.
5. Lower the mast onto the mounting bracket.
6. Attach the mast to the base with the hex bolt, washers and nut. Tighten securely.

3.3 Preparing the Lift for Use

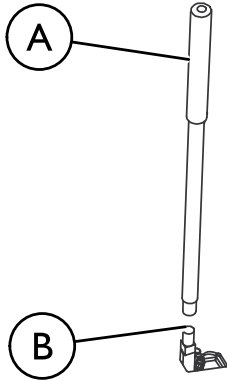
Check and tighten all hardware BEFORE use.

| | |
|--------------|----------------------|
| (A) Hex Bolt | (C) Nut |
| (B) Washer | (D) Mounting Bracket |



The mast assembly may be removed from the base for storage or transporting. The mast assembly **MUST** be properly secured to the base assembly before use.

3.4 Installing the Shifter Handle

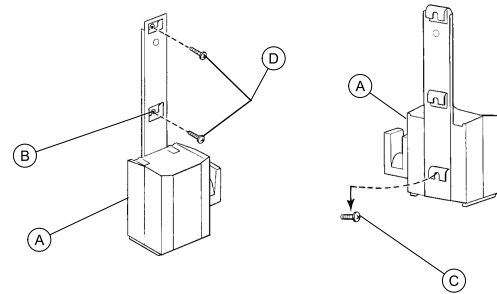


Ⓐ Shifter Handle

Ⓑ Male Adapter in Base

1. Remove the shifter handle from the packaging carton.
2. Thread the shifter handle onto the male adapter on the base.

3.5 Attaching the Battery Charger Mounting Bracket to the Wall



Refer to your local regulations concerning proper mounting procedures.

This procedure only applies to RPS350–1E models.

1. Place the battery charger with mounting bracket Ⓐ on the wall at the desired position.
2. With a pencil, mark the middle hole Ⓑ position.
3. Measure down 6½ inches (16.5 cm) from the pencil mark and drill one mounting hole.
4. Install the bottom mounting screw Ⓒ until there is an approximate 1/8-inch (3 mm) gap between the screw head and the wall.
5. Install the battery charger with mounting bracket onto the bottom mounting screw.
6. Drill the remaining two mounting holes.

7. Install the two remaining mounting screws ④ through the mounting bracket and into the wall. Tighten securely.
8. Plug the battery charger into the wall electrical outlet.




ON LED should illuminate.

4 Usage

4.1 Introduction

The operation of the patient lift is an easy and safe procedure.

 Before using the lift with a patient, refer to the following procedures for safety information and instruction:

- 2.2 *Operating Information, page 8*
- 5.3 *Lifting the Patient, page 27*

4.2 Closing/Opening Legs



WARNING! **Risk of Injury**

The lift could tip and endanger the patient and assistants.

- The legs of the lift must be in the maximum open position for optimum stability and safety. If it is necessary to close the legs of the lift to maneuver the lift under a bed, close the legs of the lift only as long as it takes to position the lift over the patient and lift the patient off the surface of the bed. When the legs of the lift are no longer under the bed, return the legs of the lift to the maximum open position.

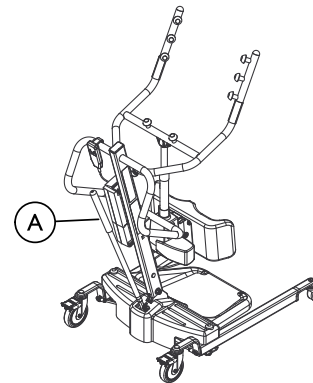
4.2.1 Closing/Opening Manual Legs

The shifter handle is used to open or close the legs of the base for stability when lifting a patient.



Refer to the safety information in *4.2 Closing/Opening Legs, page 17* before performing this procedure.

Ⓐ = Shifter Handle



1. To close the legs:
Pull the shifter handle **OUT** and away from the stand-up lift and then to your **LEFT** until it **LOCKS** in the notch of the bracket.



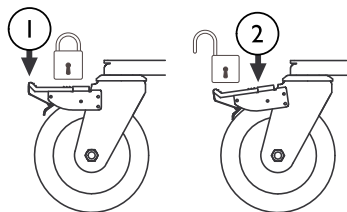
Left is determined by standing behind the stand-up lift facing towards the front casters.

2. To open the legs:
Pull the shifter handle **OUT** and away from the stand-up lift and then to your **RIGHT** until it **LOCKS** in the notch of the bracket.



Right is determined by standing behind the stand-up lift facing towards the front casters.

4.3 Locking/Unlocking the Rear Casters



1. Step here to lock
2. Step here to unlock

4.4 Raising/Lowering the Lift



WARNING!
Risk of Injury

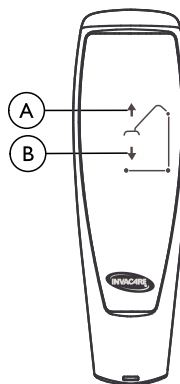
The lift could tip and endanger the patient and assistants.

- Invacare does recommend that the rear casters be left unlocked during lifting procedures to allow the patient lift to stabilize itself when the patient is initially lifted from a chair, bed or any stationary object.

4.4.1 Raising/Lowering an Electric Lift



Refer to the safety information in 4.4 *Raising/Lowering the Lift*, page 18 before performing this procedure.



1. To raise the lift — Press and hold the UP **A** button to raise the boom and the patient.
2. To lower the lift — Press and hold the DOWN **B** button to lower the boom and the patient.

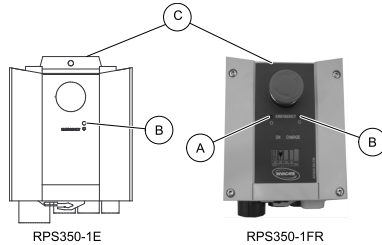


Release the button to stop raising or lowering the lift.

4.5 Activating a Mechanical Emergency Release

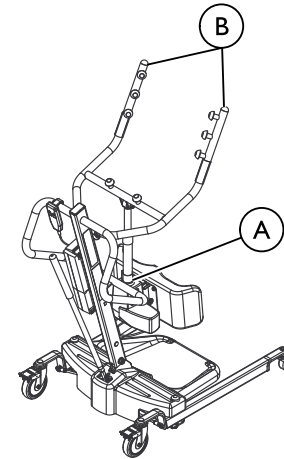
There are two types of mechanical emergency release — primary and secondary.

4.5.1 Primary Emergency Release



1. Insert a pen into the hole labeled Emergency Up **A** or Emergency Down **B** on the control box **C**.

4.5.2 Secondary Emergency Release



A RED Emergency Grip

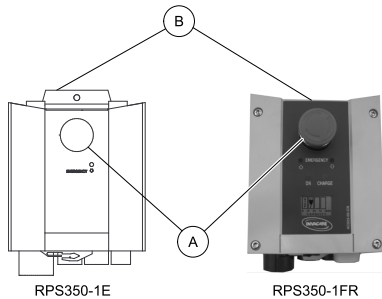
B Lift Arms

i It is recommended that the primary emergency release be used. The secondary emergency release is only a back-up to the primary emergency release.

In cases where the primary release is either not functioning or unreachable, a secondary emergency release may be used.

1. Pull up on the EMERGENCY grip **A** and push down on the lift arms **B** at the same time.

4.6 Performing an Emergency Stop



1. Press the RED button **A** on the control box **B** in to stop the boom and patient from raising or lowering.
2. To reset, rotate the emergency button clockwise.

4.7 Charging the Battery



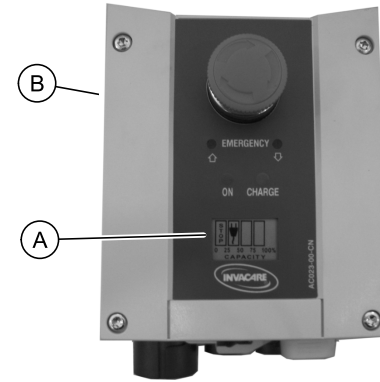
Invacare recommends the battery be recharged daily to prolong battery life.

There are two different methods to charge the battery. One method uses a power cord that attaches to the control box, and the other requires the battery to be mounted to the battery charger. Follow the appropriate procedure to charge the battery for your patient lift.


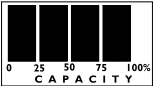
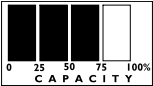
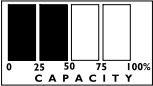
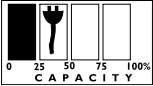
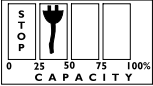
4.7.1 Battery Indicator



This procedure only applies to the RPS350-1FR models.



The battery indicator **A** is located on the control box **B**. The LEDs indicate the battery state:

| Control Box Battery Indicator  | Battery State | Description |
|--|----------------------|---|
|  | Full Charge (100%) | The battery is OK — no need for charging (100%). |
|  | Partial Charge (75%) | The battery is OK — no need for charging (75%). |
|  | Partial Charge (50%) | The battery needs to be charged (50%). |
|  | Low Charge (25%) | The battery needs to be charged (25%). The horn beeps when a button is pressed. |
|  | Low Charge (0%) | <p>The battery needs to be charged.</p> <p>Some of the functionality of the lift is lost and it is only possible to lower the boom.</p> <p>An audible alarm will sound (horn will beep) when battery is low. If the audible alarm sounds during a transfer, complete that transfer and then charge the battery.</p> |

4.7.2 Using a Power Cord to Charge the Battery



CAUTION!

– The emergency stop **MUST NOT** be activated - otherwise it will be impossible to charge the battery. While charging takes place, the patient lift cannot be used. **DO NOT** attempt to move the patient lift without unplugging the power cord from the wall outlet. **DO NOT** attempt to use the patient lift if the battery housing is damaged. Replace a damaged battery housing before any further use.

1. Attach the power cord to the control box.
2. Plug the power cord into a power outlet.



The battery will charge in approximately 4 hours. Charging must be done in a room with good air ventilation.

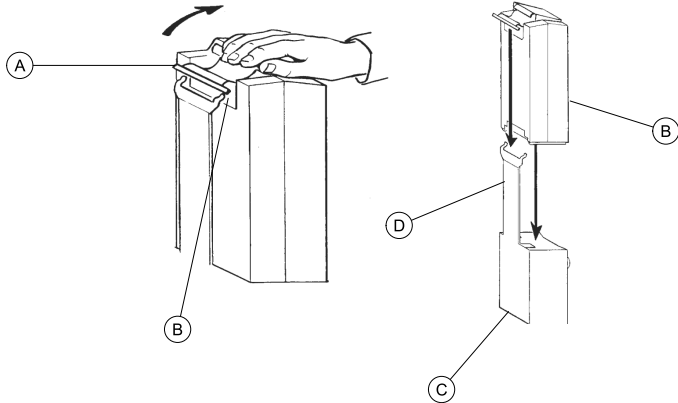
3. Disconnect the power cord from the power outlet after the battery has been fully charged.




This procedure only applies to the RPS350–1FR.

Ⓐ = Power Cord Connects Here

4.7.3 Using the Battery Charger to Charge the Battery




 This procedure only applies to the RPS350-1E.

1. Lift up on the handle (A) on the back of the battery (B).
2. Lift the battery up and out away from the control box (C).



CAUTION!


Mounting the battery improperly may cause injury or damage.
 – Make sure there is an audible click when mounting battery on the battery charger to confirm proper mounting.

3. Place the battery on the battery charger (D) as shown. Make sure there is an audible click.
 -  The charge LED will illuminate. When charging is complete, charge LED will stop illuminating. A battery needing to be fully recharged will take approximately four hours.
4. Lift up on the handle on the back of the battery.
5. Lift the battery up and out away from the battery charger.



CAUTION!

Mounting the battery improperly may cause injury or damage.
 – Make sure there is an audible click when mounting battery on the control box to confirm proper mounting.

6. Reinstall the battery onto the control box as shown. Make sure there is an audible click.
 -  The battery mounts to the control box and battery charger as shown.

5 Lifting the Patient

5.1 Safe Lifting



WARNING!

- DO NOT exceed the maximum weight limitation (SWL) of 159 kg (25 stone). Maximum patient weight is 159 kg (25 stone).
- DO NOT attempt to any transfer without approval of a Healthcare Professional.
- ALWAYS keep hands and fingers clear of moving parts to avoid injury.
- During transfer, with the patient suspended in the sling, DO NOT roll the base of the lift over any uneven surfaces that would cause the lift to become unstable.
- Use the steering handle on the mast assembly at all times to push or pull the stand assist lift.



WARNING!

Operating the Lift and Lifting the Patient

- Ensure equipment used with the stand assist lift is of adequate strength to lift the load (e.g. sling). Ensure that should the equipment malfunction that the person being lifted is not exposed to danger.
- Before positioning the legs of the stand assist lift around the patient, make sure that the patient's feet are out of the way of the foot plate, otherwise injury may occur.

- Adjustments for safety and comfort should be made before moving the patient. Patient's arms should be outside of the sling straps.



WARNING!

Operating the Lift and Lifting the Patient

- Before lifting a patient from a stationary object (wheelchair, commode or bed), slightly raise the patient off the stationary object and check that all sling attachments are secure. If any attachment is not correct, lower the patient and correct the problem, then raise the patient and check again.
- During transfer, with the patient suspended in a sling attached to the lift, DO NOT roll caster base over uneven surfaces that would create an imbalance of the patient lift and could cause the patient lift to tip over. Use steering handle on the mast at ALL times to push or pull the patient lift.
- Invacare recommends locking the rear swivel casters ONLY when positioning or removing the sling (stand assist or transfer) from around the patient.
- Invacare does NOT recommend locking of the rear casters of the patient lift when lifting an individual. Doing so could cause the lift to tip and endanger the patient and assistants. Invacare DOES recommend that the rear casters be left unlocked during lifting procedures to allow the patient lift to stabilize itself when the

patient is initially lifted from a chair, bed or any stationary object.



WARNING!

Using the Sling

- Use the sling that is recommended by a Healthcare Professional for the comfort and safety of the individual that is being lifted.
- Individuals that use the stand assist sling **MUST** be able to support the majority of their own weight, otherwise injury may occur.
- Bleached, torn, cut, frayed or broken slings are unsafe and their use could result in injury or damage. Discard any sling that meets these criteria **IMMEDIATELY**.
- **DO NOT** alter slings.
- Be sure to check the sling attachments each time the sling is removed and replaced, to ensure that it is properly attached before the patient is removed from a stationary object (bed, chair or commode).
- If the patient is in a wheelchair, activate the wheelchair brakes to prevent the chair from moving forwards or backwards.
- Consideration should be taken that prevents exposure to danger to the person being lifted, and that the person can be freed without injury.



WARNING!

Stand Assist Sling

- **DO NOT** use the stand assist sling in combination with the patient lift as a transport device. It is intended to transfer an individual from one resting surface to another (such as a bed to a wheelchair).
- Before lifting the patient, make sure the bottom edge of the stand assist sling is positioned on the lower back of the patient and the patient's arms are outside the stand assist sling. The belt **MUST** be snug, but comfortable on the patient, otherwise the patient can slide out of the sling during transfer possibly causing injury.
- The belt **MUST** be snug, but comfortable on the patient, otherwise the patient can slide out of the sling during transfer, possibly causing injury.

Transfer Stand Assist Sling

- Before lifting the patient, make sure the bottom edge of the transfer sling is at the base of the spine and the patient's arms are outside the transfer sling.
- **DO NOT** raise the patient to a full standing position while using the transfer sling, otherwise injury may occur.



Refer to the patient sling brochure for more information.

5.2 Positioning the Stand Assist Lift



Refer to the Safety section in this manual and review the information in *5.1 Safe Lifting, page 24* before proceeding further and observe all warnings indicated.

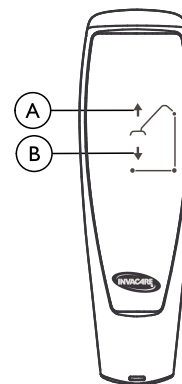
Before positioning the legs of the patient lift under a bed, make sure that the area is clear of any obstructions.



WARNING! **Risk of Injury**

The lift could tip and endanger the patient and assistants.

- The legs of the lift must be in the maximum open position for optimum stability and safety. If it is necessary to close the legs of the lift to maneuver the lift under a bed, close the legs of the lift only as long as it takes to position the lift over the patient and lift the patient off the surface of the bed. When the legs of the lift are no longer under the bed, return the legs of the lift to the maximum open position.



Ⓐ UP Button

Ⓑ DOWN Button

1. Ensure the legs of the stand assist lift are in the maximum open position. If not, use the shifter handle to open the legs.
2. Position the stand assist lift using the mast handle.
3. Press the down arrow button on the hand control to lower the lift arms for easy attachment to the sling.

5.3 Lifting the Patient



WARNING!

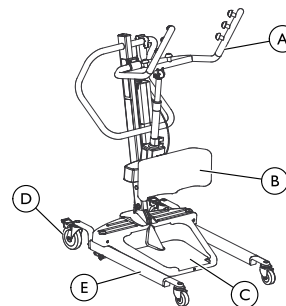
- DO NOT exceed the maximum weight limitation (SWL) of 159 kg (25 stone). Maximum patient weight is 159 kg (25 stone).
- Individuals that use the stand assist sling MUST be able to support the majority of their own weight, otherwise injury may occur.
- DO NOT lock the rear casters of the stand assist lift when lifting an individual. Locking the rear casters could cause the stand assist lift to tip and endanger the patient and assistants. Unlocking the rear casters during lifting procedures allows the lift to stabilize itself while the patient is initially lifted from a wheelchair, bed of any stationary object.
- DO NOT move the patient if the sling is not properly attached to the attachment points on the stand assist lift.
- Make sure that the sling is properly attached BEFORE lifting the patient. If any attachments are not properly in place, correct the problem. When the sling is elevated a few inches/cm off the stationary surface and before moving the patient, check again to make sure the sling and all attachments are securely in place. If any problem is found, lower the patient back onto the stationary surface and correct the problem - otherwise, injury or damage may occur.
- Adjustments for safety and comfort should be made before moving the patient.



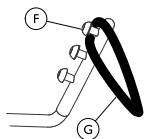
WARNING!

- Use the sling that is recommended by the individual's doctor, nurse or medical assistant for the comfort and safety of the individual that is being lifted. Invacare patient slings are made specifically for use with Invacare patient lifts. It may in certain instances, be possible to use other manufacturer's slings on Invacare lifts. Contact your local Invacare office for more information.

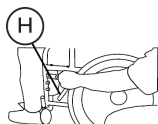
Detail A — Stand Assist Lift



Detail B — Sling Attachment



Detail C — Brakes



| | |
|---------------|-----------------|
| Ⓐ Hand Grips | Ⓔ Leg |
| Ⓑ Knee Pad | Ⓕ Hook |
| Ⓒ Foot Plate | Ⓖ Loop of sling |
| Ⓓ Rear Caster | Ⓗ Brake |



Refer to the patient sling user manual for more information.

The patient **MUST** be in a seated position first. Use the head section of the bed to get the patient upright then move legs over the side of the bed.

1. Instruct the patient to hold onto the hand grips on both sides of the stand assist lift (Detail A).
2. Instruct the patient to lean back into the standing or transfer sling.



WARNING!

- Stand Assist Slings - Before lifting the patient, make sure the bottom edge of the sling is positioned on the lower back of the patient and the patient's arms are outside the sling.
- Transfer Stand Assist Slings - Before lifting the patient, make sure the bottom edge of the sling is at the base of the spine and the patient's arms are outside the sling.

3. Ensure the following:
 - a. The patient's knees are secure against the knee support.
 - b. The patient's feet are properly positioned on the foot plate.
 - c. Slings:
 - the bottom edge of the stand assist sling is positioned on the patient's lower back.
 - the bottom edge of the transfer stand assist sling is at the base of the patient's spine.
 - the patient's arms are outside the sling.
 - the loops of the sling are completely on the hooks of the lift arms (Detail B).
 - d. The rear casters are unlocked.
 - e. The legs are in the maximum open position.

**WARNING!**

– If transferring a patient from a wheelchair, the wheelchair brakes **MUST** be in the locked position before lowering the patient into the wheelchair. Otherwise, injury may occur.

4. If transferring from a wheelchair, engage the brakes on the wheelchair (Detail C).
5. Press the UP arrow button on the hand control to raise the patient above the surface (bed, wheelchair or commode). The patient's weight will be fully supported by the stand assist lift.



The lower center of gravity provides stability making the patient feel more secure and the lift easier to move.

5.4 Moving the Patient

**WARNING!**

- The legs of the stand assist lift **MUST** be in the maximum open position for optimum stability and safety. If the patient is in a sling and it becomes necessary to move through a narrow passage, close the legs of the stand assist lift only as long as it takes to move through the passage. When the stand assist lift is through the passage, return the legs to the maximum open position.
- **DO NOT**, during transfer of a patient suspended in the lift sling, roll caster base over uneven surfaces that would create an imbalance of the lift. This could cause the lift to tip over. Use the mast handle at all times to push or pull the lift.

1. Ensure the legs of the stand assist lift are in the maximum open position. If not, press the OPEN LEGS button on the hand control to move the legs to the maximum open position.
2. Move the stand assist lift away from the surface they were lifted from.
3. Slowly move the patient to the desired surface.

6 Transferring the Patient

6.1 Safe Transfer

**WARNING!**

- DO NOT exceed the maximum weight limitation (SWL) of 159 kg (25 stone). Maximum patient weight is 159 kg (25 stone).
- DO NOT attempt to transfer a patient without approval of a Healthcare Professional. Thoroughly read the instructions in this owner's manual, observe a trained team of experts performing the lifting procedures and then perform the entire lift procedure several times with proper supervision and a capable individual acting as a patient. Training can be provided. Contact your local Invacare office for more information.
- DO NOT move the patient if the sling is not properly connected to the attachment points of the stand assist lift. Check that the sling is properly connected to the attachment points prior to lifting a patient. If any attachments are not properly in place, correct the problem. When the sling is elevated a few inches/cm off the stationary surface and before moving the patient, check again to make sure that all sling attachments are secure. If any attachments are not properly in place, lower the patient back onto the stationary surface and correct this problem - otherwise, injury or damage may occur.

- Adjustments for safety and comfort should be made before moving the patient. The patient's arms should be outside the straps.

**WARNING!**

- Use the sling that is recommended by a Healthcare Professional for the comfort and safety of the individual that is being lifted.
- DO NOT lock the rear casters of the stand assist lift when lifting an individual. Locking the rear casters could cause the stand assist lift to tip and endanger the patient and assistants.
- The legs of the stand assist lift **MUST** be in the maximum open position for optimum stability and safety. If the patient is in a sling and it becomes necessary to move through a narrow passage, close the legs of the stand assist lift only as long as it takes to move through the passage. When the stand assist lift is through the passage, return the legs to the maximum open position. If it is necessary to close the legs to maneuver the stand assist lift under a bed, close the legs only as long as it takes to position the stand assist lift over the patient and lift the patient off the surface of the bed. When the legs of the stand assist lift are no longer under the bed, return the legs to the maximum open position.
- Be sure to check the sling attachments each time the sling is removed and replaced to

ensure that it is properly attached before the patient is removed from a surface.

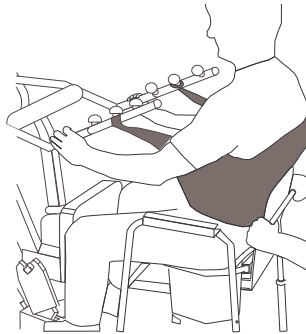
The use of one assistant is based on the evaluation of the health care professional for each individual case.

6.2 Transferring to a Commode

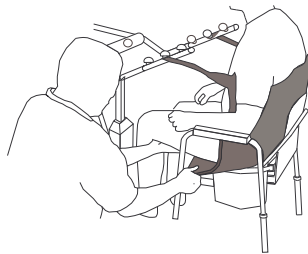
Detail A



Detail B



Detail C



WARNING!

– Invacare recommends locking the rear swivel casters only when positioning or removing the sling from around the patient.

1. Lift the patient from the side of the bed.
2. Press the UP button on the hand control to elevate the patient high enough to clear the arms of the commode chair. Their weight will be supported by the stand assist lift.
3. Guide the patient onto the commode chair. This may require two assistants.
4. Press the down arrow button to lower the patient onto the commode chair.
5. Lock the rear swivel casters on the stand assist lift.
6. Depending on the style of sling, perform one of the following:
 - Stand Assist Sling - unhook the stand assist sling from the attachment points on the stand assist lift.
 - Transfer Stand Assist Sling -
 - a. Unhook the transfer stand assist sling from the bottom attachment points on the stand assist lift.
 - b. Lift up on the patient's legs and remove the thigh supports from underneath the patient.
 - c. If desired, unhook the transfer stand assist sling from the top attachment points on the stand assist lift.

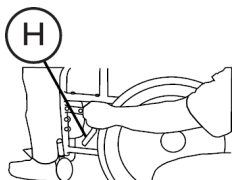


The patient can remain in the upper portion of the transfer stand assist sling while using the commode.

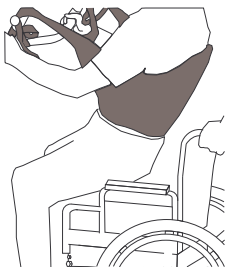
7. Instruct or assist the patient in lifting their feet off the foot plate.
8. Remove the sling from around the patient.
9. Unlock the rear casters and pull the stand assist lift away from the commode.
10. When complete, recheck the sling for correct attachments.

6.3 Transferring to a Wheelchair

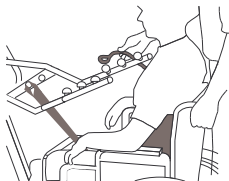
Detail A





Detail B



Detail C



  = Wheelchair Brake

1. Ensure the legs of the lift with the patient in the sling are in the open position. Press the legs open button until in maximum open position.
2. Move the wheelchair into position.
3. Engage the brakes of the wheelchair to prevent movement of the chair (Detail A).



WARNING!

– DO NOT place the patient in the wheelchair if the brakes are not engaged. The wheelchair brakes MUST be in a locked position before lowering the patient into the wheelchair for transport. Otherwise, injury may result.

4. Position the patient over the wheelchair (Detail “B”).
5. Press the down arrow button and lower the patient into the wheelchair.




WARNING!

– Lock the rear swivel casters ONLY when positioning or removing the sling (stand assist or transfer stand assist) from around the patient. Otherwise, injury may occur.


6. Lock the rear swivel casters.
7. Unhook the sling from all attachment points on the lift (Detail C).
8. Instruct patient to lift their feet off the foot plate. Assist the patient if necessary.

9. Remove the sling from around the patient.
10. Unlock the rear casters and pull the stand assist lift away from the wheelchair.

6.4 Transferring to a Bed

 The lower center of gravity provides stability making the patient feel more secure and the lift easier to move.

1. Position the patient as far over the bed as possible.

 If patient is being transferred from a surface that is lower than the bed, press the up arrow button to raise the patient above the surface of the bed. The patient should be elevated just high enough to clear the bed with their weight fully supported by the lift.


2. Press the down arrow button and lower the patient onto the bed.



WARNING!

– Invacare recommends locking the rear swivel casters **ONLY** when positioning or removing the sling from around the patient.

3. Lock the rear swivel casters.
4. Unhook the stand assist or transfer stand assist sling from all attachment points on the stand assist lift.
5. Instruct the patient to lift their feet off of the foot plate.


 Assist the patient if necessary.

6. Remove the stand assist or transfer stand assist from around the patient.
7. Unlock the rear casters and pull the stand assist lift away from the bed.

7 Troubleshooting

7.1 Troubleshooting Table

| SYMPTOMS | FAULTS | SOLUTION |
|---|---|--|
| Noisy or dry sound from pivots. | Needs lubrication. | Refer to <i>Lubricating the Lift</i> . |
| Electric actuator fails to lift when button is pressed. | Hand-control or actuator connector loose. | Connect hand control or actuator connector. Ensure connectors are seated properly and fully connected. |
| | Battery low. | Charge batteries. Refer to <i>4.7 Charging the Battery, page 20</i> . |
| | RED emergency stop button pressed IN. | Rotate RED emergency stop button CLOCKWISE until it pops out. |
| | Battery not connected properly to control box. | Reconnect the battery to the control box. Refer to <i>4.7 Charging the Battery, page 20</i> . |
| | The connecting terminals are damaged. | Replace the battery pack. Refer to <i>4.7 Charging the Battery, page 20</i> . |
| | Electric actuator in need of service or load is too high. | Refer to <i>8.7 Replacing the Electric Actuator, page 41</i> . Contact your Dealer or Invacare representative. |
| Unusual noise from lift arm actuator. | Actuator is worn or damaged or spindle is bent. | Refer to <i>8.7 Replacing the Electric Actuator, page 41</i> . Contact your Dealer or Invacare representative. |
| Lift arms will not lower in uppermost position. | Lift arms require a minimum weight load to lower from the uppermost position. | Pull down slightly on the lift arms. |
| Legs do not open and close properly. | Base may require adjustment. | Refer to <i>8.6 Adjusting the Base, page 40</i> . |

 If problems are not remedied by the suggested means, please contact your dealer or Invacare.

8 Maintenance

8.1 Maintenance Safety Inspection Checklist



WARNING!

- Maintenance **MUST** be performed **ONLY** by qualified personnel.
- A competent person must ensure that the strength and stability of the product remains adequate for all tasks if parts are replaced.
- **DO NOT** overtighten the mounting hardware, this will damage the mounting brackets.



Follow the maintenance procedures described in this manual to keep your patient lift in continuous service.

The Invacare Patient Lift is designed to provide a maximum of safe, efficient and satisfactory service with minimum care and maintenance.

All parts of the Invacare Lift are made of the best grades of steel, but metal to metal contact will wear after considerable use.

There is no adjustment or maintenance of the casters, other than cleaning, lubrication and checking axle and swivel bolts for tightness. Remove all debris, etc. from the wheel and swivel bearings. If any parts are worn, replace these parts **IMMEDIATELY**.

If you question the safety of any part of the lift, contact your Dealer **IMMEDIATELY**.

The UK Health and Safety Executive's Lifting Operations and Lifting Equipment Regulations 1998 require any equipment that is used in the workplace to lift a load be subject to safety inspection on a six monthly basis. This is to be carried out by a suitably trained individual. Please refer to the HSE website for guidance (www.hse.gov.uk).

Regular maintenance of patients lifts and accessories is necessary to assure proper operation. It is the responsibility of the person responsible for the patient lift to ensure that this maintenance is carried out.

After the first 12 months of operation, inspect all pivot points and fasteners for wear. If the metal is worn, the parts **MUST** be replaced. Perform this inspection every six months thereafter.

| | |
|--|-----------|
| Date of Inspection: | Initials: |
| THE CASTER BASE | |
| <input type="checkbox"/> Inspect for missing hardware. <input type="checkbox"/> Base opens/closes with ease. <input type="checkbox"/> Inspect casters and axle bolts for tightness. <input type="checkbox"/> Inspect casters for smooth swivel and roll. <input type="checkbox"/> Inspect and clear wheels of debris. <input type="checkbox"/> Inspect pivot joints for wear. | |
| SLINGS AND HARDWARE | |
| <input type="checkbox"/> Check all sling attachments each time it is used to ensure proper connection and patient safety. <input type="checkbox"/> Inspect sling material for wear. <input type="checkbox"/> Inspect straps for wear. <input type="checkbox"/> Inspect stitching. | |
| THE ELECTRIC ACTUATOR ASSEMBLY | |
| <input type="checkbox"/> Check for leakage. <input type="checkbox"/> Inspect hardware on mast, boom and base. <input type="checkbox"/> Check for wear or deterioration. If damaged, return to factory. <input type="checkbox"/> Cycle to ensure smooth quiet operation of the electric actuator. | |

THE LIFT ARMS AND LINKAGE

- Check all hardware and attachment points.
- Inspect for bends or deflections.
- Inspect bolted joints of the lift arms for wear.
- Inspect to ensure that the lift arms are centered between the base legs.
- Inspect pivot joints for wear.
- Check sling hooks for wear or deflection.

THE MAST

- Mast must be securely assembled to lift arms.
- Inspect for bends or deflections.
- Inspect pivot joints for wear.

CLEANING

- Whenever necessary.

8.2 Cleaning the Sling and the Lift**WARNING!**

- After EACH laundering (in accordance with laundering instructions on the sling), inspect the sling for wear, tears and loose stitching. Discard any patient sling that meets these criteria IMMEDIATELY.

Cleaning the Sling

The sling should be washed regularly in water temperature not exceeding 203°F (95°C) and a biological solution. Refer to the washing instructions in the sling user manual.

Cleaning and Disinfecting the Lift

To prevent cross-infection, the hoist must be cleaned and disinfected after each use.

A soft cloth, dampened with water and a small amount of mild detergent, is all that is needed to clean the patient lift. The lift can be cleaned with non-abrasive cleaners.

Never use acids, alkaline or solvents for cleaning the lift. Dry the lift carefully after cleaning.

Motors, control unit and mounting parts can be damaged if the lift is cleaned any other way than stated above.

The lift must be wiped with a moistened, firmly wrung cloth with ordinary household disinfectants. Only use disinfection detergents approved by the facility.

8.3 Reuse

This product is suitable for reuse. The maximum number of times it can be reused is dependent upon product condition.

To prevent the transmission of infection, the patient lift and slings must be cleaned after each use. Before reuse, refer to *Cleaning the Sling and the Lift* .

8.4 Detecting Wear and Damage

It is important to inspect all stressed parts, such as slings, lifting arm and any pivot for slings for signs of cracking, fraying, deformation or deterioration. Replace any defective parts IMMEDIATELY and ensure that the lift is not used until repairs are made.

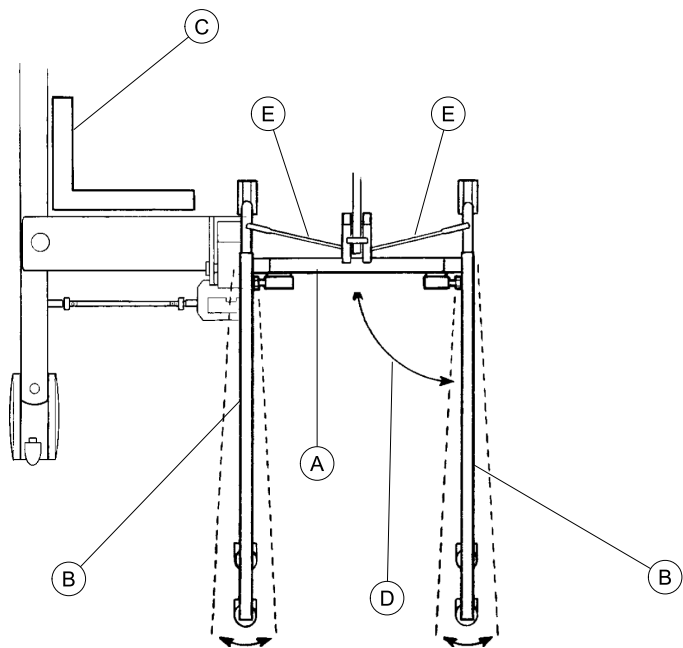
8.5 Lubricating the Lift

The Invacare lift is designed for minimum maintenance. However, a six month check and lubrication should ensure continued safety and reliability.

Keep lift and slings clean and in good working order. Any defect should be noted and reported to your dealer as soon as possible.

The casters MUST swivel and roll smoothly. A light grease (waterproof auto lubricant) may be applied to the ball bearing swivel of the casters once a year. Apply more frequently if the casters are exposed to extreme moist conditions.

8.6 Adjusting the Base



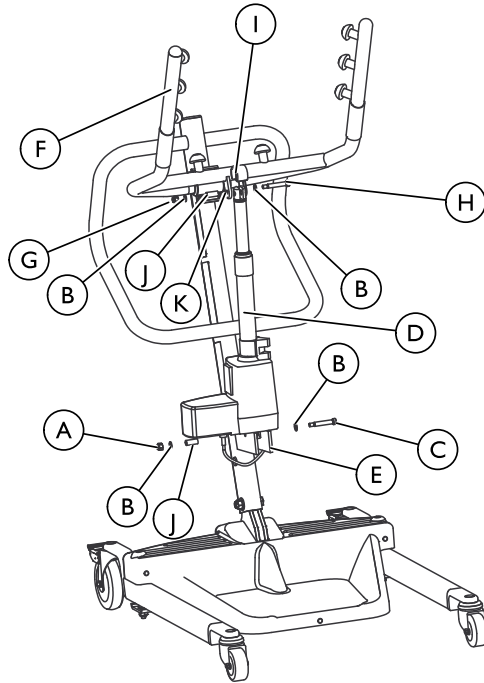
The base (A) adjustment should not require any attention other than adjusting the linkage rods.

- ! Damage to the lift may occur.
 - The legs must be in the fully closed position before adjusting the linkage rods.

1. Close the legs all the way. Refer to 4.2.1 *Closing/Opening Manual Legs*, page 17.
2. Check the squareness of the legs (B) when in the closed position.
3. Place a square (C) on the inside of the legs and base to determine the 90° alignment (D).
4. Adjust the linkage rods (E) until 90° alignment is achieved.

- ! Damage to the lift may occur.
 - DO NOT adjust the linkage rods so the legs are at less than 90° alignment.

8.7 Replacing the Electric Actuator



| | |
|---------------------|-----------|
| Ⓐ Bottom nut | Ⓔ Top nut |
| Ⓑ Washer | Ⓕ Bolt |
| Ⓒ Shoulder bolt | Ⓖ Bracket |
| Ⓓ Electric actuator | Ⓗ Bushing |

| | |
|-------------------------|-----------------------------|
| Ⓔ Mast mounting bracket | Ⓕ Lift arm mounting bracket |
| Ⓕ Lift arm | |

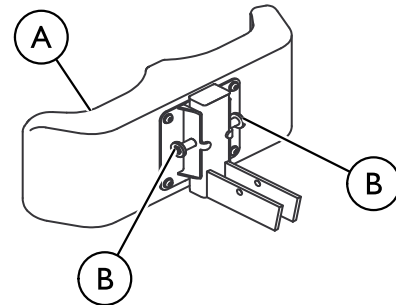


WARNING!

– DO NOT overtighten the mounting hardware. This will damage mounting brackets.

1. Remove the bottom nut, washers, shoulder bolt and bushing that secure the electric actuator to the mast mounting bracket.
2. Rest the lift arm on your shoulder and remove the top nut, bolt, bracket, bushing and washers from the lift arm mounting bracket.
3. Remove the electric actuator.
4. Reverse STEPS 1–3 to install the new electric actuator.

8.8 Adjusting the Knee Pad Height



| | |
|------------|-------------------|
| Ⓐ Knee pad | Ⓑ Adjustment pins |
|------------|-------------------|



WARNING!

- NEVER adjust the knee pad while patient is in the standing position.
- NEVER try to adjust the knee pad while the lift is moving.
- ALWAYS make sure that the adjustment pins are engaged in corresponding height adjustment holes before use.

1. Pick a height setting that will be comfortable to the patient and provide the necessary support.



The knee pad should be positioned so that the knee portion of the leg is in contact with the pad.

2. Using both hands, pull both adjustment pins outward at the same time.
3. Position the knee pad to the desired height and release adjustment pins into the corresponding alignment holes.
4. Check to make sure that both pins are engaged.

9 Technical Data

9.1 RPS3501E and RPS3501FR Stand Assist Patient Lift

| | |
|---|---------------------------------------|
| Height at Sling Hook-up — MAX | 168 cm |
| Height at Sling Hook-up — MIN | 102 cm |
| Base Width (open) | 94 cm |
| Base Width (closed) | 66 cm |
| Base height (clearance) | 11,5 cm |
| Base length | 90 cm |
| Overall height | 125 cm |
| Overall length | 99 cm |
| Overall width | 65,5 cm |
| Castor size (FRONT/REAR) | 8 cm / 13 cm |
| Sling Options | Stand Assist or Transfer Stand Assist |
| Sling Material | Polyester |
| Maximum weight limitation (SWL) (patient + sling + lift arms) | 159 kg (25 stone) |
| Maximum patient weight | 159 kg (25 stone) |
| Total weight (weight out of carton) | 49 kg (8 stone) |

| | |
|---|---------------------------------|
| Battery (voltage output) | 24V DC mb max. 240VA (RCHBL) |
| Charger Input (voltage supply) | 100-240V AC ~ 50/60 Hz |
| Charger Output/Charging Time | 29.5V DC 2.9 Ah Max 6 hours |
| Audio/Visual Low Battery Alarm | Yes |
| Motor Safety Devices | Anti-Entrapment |
| *Approx. Lifts per Charge (working ability) | *100-200 Cycles per charge |
| Max. current input | Max. 400 mA |
| Operating temperature | 5° to 40° C |
| Air humidity | 20% to 90% at 30 not condensing |
| Sound pressure | < 50 dB |
| Atmospheric pressure | 700 to 1060 hPa |
| Storage temperature | above 0° C |
| Storage air humidity | less than 60% |
| Storage atmospheric pressure | 700 hPa to 1060 hPa |
| Degree of protection, control unit | IPX4 |

| | |
|-------------------------------------|--|
| Degree of protection, hand control | IPX4 |
| Degree of protection, motor | IPX4 |
| Insulation class | Class II equipment, Type B applied part |
| Intermittens | 10%, max, 2 minutes/18 minutes |
| Battery capacity | 2,9 Ah |
| Manual emergency lowering | Yes |
| Electric emergency lowering/lifting | Yes/Yes |
| Expected lifetime | 8 years |
| Lifting Speed | The lift passes the “velocity of lifting and lowering” in the ENISO10535 (<0.15 m/s under maximum load and <0.25 m/s unloaded) |



* Varies depending on load and stroke.

Inhaltsverzeichnis

Diese Gebrauchsanweisung muss dem Benutzer des Produkts ausgehändigt werden. Lesen Sie diese Gebrauchsanweisung vor Verwendung des Produktes und bewahren Sie sie für den weiteren Gebrauch auf.

| | |
|---|-----------|
| 1 Allgemein | 46 |
| 1.1 Symbole | 46 |
| 1.2 Anwendungszweck | 47 |
| 1.2.1 Gegenindikationen | 48 |
| 1.3 Lieferumfang | 49 |
| 1.4 Nutzungsdauer | 50 |
| 1.5 Garantieinformationen | 51 |
| 2 Sicherheit | 52 |
| 2.1 Allgemeine Hinweise | 52 |
| 2.2 Bedienungsinformationen | 52 |
| 2.2.1 Allgemeines | 52 |
| 2.2.2 Positionierung | 54 |
| 2.2.3 Entsorgung | 54 |
| 2.3 Hochfrequenzstörungen | 55 |
| 2.4 Produktkennzeichnung | 56 |
| 3 Inbetriebnahme | 57 |
| 3.1 Sichere Montage | 57 |
| 3.2 Montage der Masteinheit auf der Basis | 58 |
| 3.3 Vor der Inbetriebnahme des Patientenlifters | 58 |
| 3.4 Montage des Schalthebels | 59 |
| 3.5 Montage der Halterung für das Batterieladegerät an der Wand | 59 |
| 4 Verwenden | 61 |
| 4.1 Einführung | 61 |
| 4.2 Zusammenklappen und Öffnen der Fußschiene | 61 |
| 4.2.1 Zusammenklappen und Öffnen der Fußschiene | 61 |
| 4.3 Verriegeln und Entriegeln der hinteren Rollen | 62 |

| | |
|--|-----------|
| 4.4 Heben/Senken der Hubvorrichtung | 62 |
| 4.4.1 Heben/Senken einer elektrischen Hubvorrichtung | 63 |
| 4.5 Auslösen einer mechanischen Notfallentriegelung | 63 |
| 4.5.1 Primäre Notfallentriegelung | 63 |
| 4.5.2 Sekundäre Notfallentriegelung | 64 |
| 4.6 Not-Aus-Verfahren | 64 |
| 4.7 Laden der Batterie | 65 |
| 4.7.1 Batterieleuchte | 65 |
| 4.7.2 Laden der Batterie mit dem Netzkabel | 67 |
| 4.7.3 Laden der Batterie mit dem Batterieladegerät | 68 |
| 5 Patienten anheben und transferieren | 70 |
| 5.1 Sicheres Heben | 70 |
| 5.2 Positionieren der Hubvorrichtung mit Stehhilfe | 72 |
| 5.3 Anheben des Patienten | 74 |
| 5.4 Umlagern des Patienten | 76 |
| 6 Umlagern des Patienten | 78 |
| 6.1 Sichere Umlagerung | 78 |
| 6.2 Umlagerung auf einen Toilettensitz | 79 |
| 6.3 Umlagerung in einen Rollstuhl | 81 |
| 6.4 Umlagerung in ein Bett | 82 |
| 7 Problembehandlung | 83 |
| 7.1 Tabelle Fehlerbehebung | 83 |
| 8 Instandhaltung | 85 |
| 8.1 Prüfliste für Wartung und Überprüfung der Sicherheit | 85 |
| 8.2 Reinigung von Hebetuch und Hubvorrichtung | 87 |
| 8.3 Wiederverwendung | 87 |
| 8.4 Suche nach Abnutzung und Schäden | 87 |
| 8.5 Schmierstoffe der Hubvorrichtung | 87 |
| 8.6 Einstellen der Basis | 88 |
| 8.7 Austausch des elektrischen Verstellmotors | 89 |
| 8.8 Einstellen der Kniepolster-Höhe | 90 |
| 9 Technische Daten | 92 |
| 9.1 Aufstehelifter RSP350-1E und RPS350-1FR | 92 |

1 Allgemein

1.1 Symbole

In diesem Handbuch werden Signalwörter verwendet, um auf Gefahren oder unsichere Praktiken hinzuweisen, die zu Verletzungen oder Sachschäden führen können. Die Definitionen der verwendeten Signalwörter finden Sie in der nachfolgenden Tabelle.



WARNUNG!

– Das Signalwort „Warnung“ weist auf eine potenziell gefährliche Situation hin, die bei Nichtbeachtung zum Tod oder zu schweren Verletzungen führen könnte.



VORSICHT!

– Das Signalwort „Vorsicht“ weist auf eine potenziell gefährliche Situation hin, die bei Nichtbeachtung zu Sachschäden, leichten Verletzungen oder beidem führen könnte.



WICHTIG

– Das Signalwort „Wichtig“ weist auf eine potenziell gefährliche Situation hin, die bei Nichtbeachtung zu Sachschäden führen könnte.



Nützliche Tipps, Empfehlungen und Informationen für eine effiziente und problemlose Verwendung.



Herstellungsdatum



Dieses Produkt entspricht der Richtlinie 93/42/EEC für medizinische Geräte.

Das Markteinführungsdatum dieses Produkts kann der CE-Konformitätserklärung entnommen werden.



Bedienungsanleitung lesen



Warnton bei niedrigem Batteriestand. Lesen Sie hierzu auch *4.7 Laden der Batterie, Seite 65*.



Rollensperre



Schließen/Öffnen der Fußstreben



Anheben/Absenken des Arms



Not-Aus



Sichere Arbeitslast



Doppelt isoliert, Gerät der Klasse II



Anwendungsteil Typ B



Entsorgen Sie dieses Produkt fachgerecht.
Lesen Sie hierzu auch 2.2.3 *Entsorgung*,
Seite 54.

1.2 Anwendungszweck



WARNUNG!

Sturzgefahr

Die Invacare Patientenhubvorrichtung mit Stehhilfe ist KEIN Transportgerät. Der Anwendungszweck der Vorrichtung besteht darin, eine Person von einer Sitz- oder Liegefläche auf eine andere zu heben (wie z. B. von einem Bett in einen Rollstuhl).

Hebetücher und Zubehör der Invacare-Patientenhubvorrichtung sind speziell auf die Anwendung mit Invacare-Patientenhubvorrichtungen ausgelegt. Zur Vermeidung von Verletzungen und Stürzen:

- Patienten, die mit der Hubvorrichtung mit Stehhilfe umgelagert und positioniert werden, MÜSSEN kooperativ und bei Bewusstsein sein und Kontrolle über Kopf und Nacken haben. Andernfalls besteht Verletzungsgefahr.
- Patienten, die mit dem Hebetuch mit Stehhilfe umgelagert und positioniert werden, MÜSSEN in der Lage sein, einen Großteil ihres eigenen Gewichts zu tragen. Andernfalls besteht Gefahr von Verletzungen oder Sachschäden. Weitere Informationen finden Sie in der Bedienungsanleitung des Patientenhebetuchs.

Patientenhubvorrichtungen sind batteriebetriebene Umlagerungsgeräte für viele alltägliche Hebesituationen, wie z. B.:

- Umlagerung von Patienten zwischen Bett und Rollstuhl
- Von und zur Toilette

Die Patientenhubvorrichtung mit Stehhilfe ist nur für das Anheben von Patienten bis zum zulässigen Maximalgewicht geeignet (siehe technische Daten).

Die Auswahl der richtigen Hebetücher und Zubehörteile für jeden Patienten ist entscheidend für die Sicherheit der Hubvorrichtung. In den Bedienungsanleitungen für Hebetücher und Zubehörteile von Invacare finden Sie weitere Informationen dazu.

Invacare empfiehlt, den Patienten zum Baden auf einen Badestuhl oder eine andere Vorrichtung umzulagern.

Die Patientenhubvorrichtung mit Stehhilfe kann auf der Stelle gedreht werden für Umlagerungen auf engem Raum.

1.2.1 Gegenindikationen

Die Hubvorrichtung mit Stehhilfe ist nicht geeignet für Patienten, die:

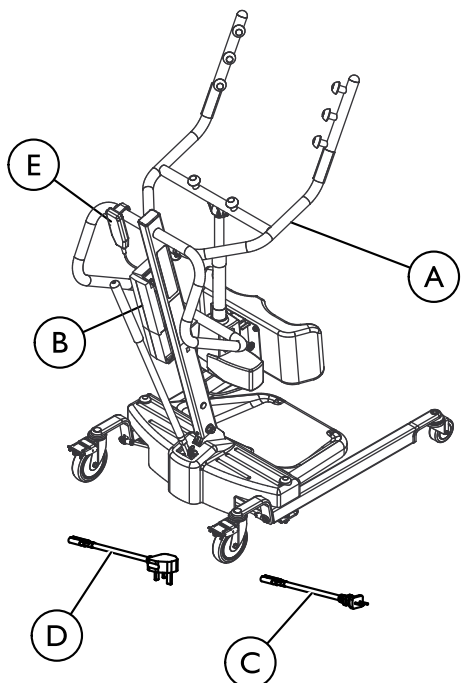
- nicht kooperieren
- nicht bei Bewusstsein sind
- keine Kontrolle über Kopf und Nacken haben

Manche Hebetücher für die Hubvorrichtung mit Stehhilfe sind nicht geeignet für Patienten, die nicht einen Großteil ihres Gewichts stützen können. Weitere Informationen finden Sie in der Bedienungsanleitung des Patientenhebetuchs.

1.3 Lieferumfang

Die folgenden Teile sind im Lieferumfang enthalten. Hebetücher sind separat erhältlich. Das Batterieladegerät ist separat erhältlich.

| Bestandteil | Beschreibung | Anzahl |
|-------------|---|--------|
| A | Hubvorrichtung | 1 |
| B | Batterie | 1 |
| C | Netzkabel, EU | 1 |
| D | Netzkabel, GB (nur RPS350-1E) | 1 |
| E | Bedienelement | 1 |
| F | Bedienungsanleitung für Hubvorrichtung (nicht abgebildet) | 1 |



1.4 Nutzungsdauer



WARNUNG!

Verletzungsrisiko oder Gefahr von Sachschäden

Eine mangelnde Instandhaltung des Produkts kann zu Personenschäden sowie zum Verlust der Funktionsfähigkeit, zu Verletzungen oder zu Schäden führen.

Eine unsachgemäße Montage kann zu Verletzungen oder Schäden führen.

Bei falschen oder nicht zugelassenen Teilen, einschließlich Ersatzteilen (Austauschteilen), besteht die Gefahr von Verletzungen oder Sachschäden.

- Montage- und Instandhaltungsarbeiten MÜSSEN ausschließlich von dafür qualifizierten Personen durchgeführt werden.
- Eine regelmäßige Instandhaltung der Patientenlifter und der Zubehörteile ist erforderlich, um eine ordnungsmäßige Funktion zu gewährleisten.
- Für die Montage dieses Patientenlifters dürfen Sie nur Originalteile von Invacare verwenden. Das Fahrgestell, die Standfüße, der Mast, der Ausleger bzw. die Hebearme, die Pumpen- oder Verstellmotoreinheit und der Spreizbügel werden genau nach technischen Vorgaben gefertigt, damit alle Teile korrekt ineinanderpassen und ein sicherer Betrieb gewährleistet ist.
- Geben Sie bei der Bestellung von Ersatzteilen IMMER die Seriennummer des Lifters an, um

sicherzustellen, dass die richtigen Ersatzteile bestellt werden.

- Ziehen Sie Schrauben und andere Befestigungsteile NICHT ZU FEST an. Die Montagehalterung könnte dadurch beschädigt werden.

Die Patientenhubvorrichtung mit Stehhilfe hat eine zu erwartende Nutzungsdauer von 8 Jahren bei Beachtung der Sicherheitshinweise und Wartungsintervalle und bei korrekter Verwendung gemäß dieser Anleitung. Die tatsächliche Nutzungsdauer des Produkts variiert je nach Nutzungshäufigkeit und -Intensität.

Nutzungsdauer des Verstellmotors

| Hubvorgänge pro Tag | Nutzungsdauer des Verstellmotors (in Jahren) |
|---------------------|--|
| 1–2 | 10 |
| 3 | 9 |
| 4 | 6 |
| 5 | 5 |
| 6 | 4 |
| 7–9 | 3 |
| 10–13 | 2 |
| 14–27 | 1 |

1.5 Garantieinformationen

Die Garantiebestimmungen sind Bestandteil der Allgemeinen Geschäftsbedingungen für die jeweiligen Länder, in denen dieses Produkt verkauft wird.

Kontaktinformationen zur Invacare Niederlassung vor Ort finden Sie auf der Rückseite dieser Gebrauchsanweisung.

2 Sicherheit

2.1 Allgemeine Hinweise



WARNUNG!

– Verwenden Sie dieses Produkt und eventuell vorhandenes Zubehör erst, nachdem Sie diese Anweisungen und eventuell zusätzliche Anweisungen, wie zum Produkt oder eventuellem Zubehör gehörende Bedienungsanleitungen, Servicehandbücher oder Merkblätter, vollständig gelesen und verstanden haben. Falls die Warnungen, Sicherheitshinweise und Anweisungen unverständlich sind, wenden Sie sich bitte an den zuständigen Händler oder direkt an den technischen Kundendienst von Invacare, bevor Sie die Ausrüstung verwenden. Andernfalls kann es zu Personen- und Sachschäden kommen.

WARNUNG ZUM ZUBEHÖR

Die Konstruktion und die Herstellung der Invacare-Produkte sind so speziell, dass ausschließlich Invacare-Zubehör verwendet werden darf.

Zubehörteile von anderen Herstellern sind nicht von Invacare getestet worden und werden für Invacare-Produkte nicht empfohlen. Unter bestimmten Umständen können Hebetücher anderer Hersteller verwendet werden.

– Weitere Informationen zu Zubehörteilen erhalten Sie von Ihrer lokalen Invacare-Niederlassung.



HINWEIS

– Die in diesem Dokument enthaltenen Informationen können jederzeit geändert werden.

Überprüfen Sie vor Verwendung alle Teile auf Transportschäden. Verwenden Sie keine beschädigten Vorrichtungen. Setzen Sie sich mit Ihrem Händler oder Invacare-Vertreter in Verbindung.

2.2 Bedienungsinformationen

Dieser Abschnitt der Bedienungsanleitung enthält allgemeine Sicherheitsinformationen über Ihr Produkt. Spezifische Sicherheitsinformationen finden Sie in dem entsprechenden Abschnitt der Bedienungsanleitung in den darin beschriebenen Verfahren. Sicherheitsinformationen zur Montage des Lifters finden Sie im Abschnitt 3 *Inbetriebnahme, Seite 57*.

2.2.1 Allgemeines



WARNUNG!

Sturzgefahr

Führen Sie KEINE Hubvorgänge ohne die Zustimmung des Arztes oder Pflegepersonals des jeweiligen Patienten durch. Lesen Sie die Anweisungen in dieser Bedienungsanleitung gründlich, lassen Sie sich die Hubverfahren von einem geschulten Expertenteam zeigen

und führen Sie anschließend das gesamte Hubverfahren unter ordnungsgemäßer Anleitung an einer geeigneten Person durch, die sich als Patient zur Verfügung stellt.

- Denken Sie bei allen Hubvorgängen mit Menschen mit Bewegungseinschränkungen, die während des Hubvorgangs nicht kooperieren können, bedürfen Ihrer besonderen Umsicht.
- Verwenden Sie zum Schieben oder Ziehen der Hubvorrichtung immer den Steuerhebel am Mast der Vorrichtung.
- Prüfen Sie die Hebetuchbefestigungen bei jedem Entfernen und Anbringen des Hebetuchs, um sicherzustellen, dass es ordnungsgemäß angebracht ist, bevor der Patient angehoben wird (sei es vom Bett, Stuhl oder Toilettensitz).



WARNUNG!

Gefahr von Verletzungen oder Sachschäden

Die Hubvorrichtung kann sowohl innen als auch außen verwendet werden. Manche Oberflächen können die Stabilität der Hubvorrichtung gefährden und zu Verletzungen oder Sachschäden führen.

Die Hubvorrichtung kann im Dusch- oder Badebereich eingesetzt werden. Übermäßige Feuchtigkeit kann die Hubvorrichtung jedoch beschädigen und zu Verletzungen führen.

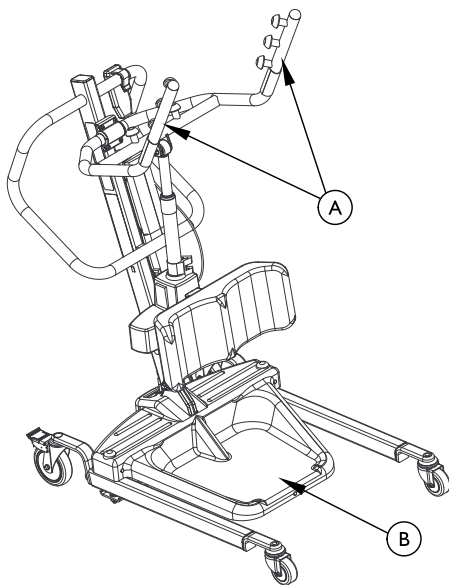
- Verwenden Sie die Hubvorrichtung nicht auf abschüssigen Oberflächen. Invacare empfiehlt, die Hubvorrichtung nur auf ebenen Oberflächen zu verwenden.
- Rollen Sie die Standeinheit NIEMALS über unebene Oberflächen, da die Hubvorrichtung ansonsten umkippen kann.
- Verwenden Sie die Hubvorrichtung NICHT in Dusche oder Bad und setzen Sie diese keiner übermäßigen Feuchtigkeit aus.
- Wischen Sie verbleibende Feuchtigkeit nach jedem Einsatz von der Hubvorrichtung ab.
- Die Hubvorrichtung darf NICHT in einer feuchten Umgebung aufbewahrt werden. Informationen zu Lagertemperatur, Feuchtigkeit und Druck finden Sie in *7.1 Tabelle Fehlerbehebung, Seite 83*.
- Prüfen Sie regelmäßig alle Komponenten der Hubvorrichtung auf Anzeichen von Korrosion. Tauschen Sie alle korrodierten oder beschädigten Teile aus.

2.2.2 Positionierung



WARNUNG! **Verletzungsrisiko**

- Achten Sie **IMMER** auf die Hubarme. Es besteht die Gefahr von Sach- und Personenschäden.
- Achten Sie **IMMER** auf die Fußstütze, insbesondere auf die Position des Patienten auf der Fußstütze. Es besteht die Gefahr von Sach- und Personenschäden.



Ⓐ = Hubarme

Ⓑ = Fußstütze

2.2.3 Entsorgung



WARNUNG! **Umweltgefährdung**

Dieses Produkt stammt von einem umweltbewussten Hersteller, der die Kriterien der Richtlinie über Elektro- und Elektronik-Altgeräte (WEEE) 2012/19/EU erfüllt.

In dem Gerät werden Bleibatterien verwendet. Das Produkt enthält Substanzen, die die Umwelt schädigen können, wenn sie nicht in Übereinstimmung mit der nationalen Gesetzgebung entsorgt werden.

- Entsorgen Sie die Batterien **NICHT** über den normalen Haushaltsmüll. Batterien müssen zu einer entsprechenden Entsorgungsstelle gebracht werden. Wenden Sie sich an Ihr Abfallentsorgungsunternehmen, wenn Sie weitere Informationen wünschen.
- Wir bitten Sie, umweltverträglich zu handeln und dieses Produkt nach Ende seiner Lebensdauer über eine lokale Müllverwertungsanlage recyceln zu lassen.

2.3 Hochfrequenzstörungen




WARNUNG!

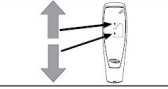
- Die meisten elektronischen Geräte werden durch Hochfrequenzstörungen (HF-Störung) beeinträchtigt. Gehen Sie daher bei der Verwendung von tragbaren Kommunikationsgeräten im Bereich von solchen Geräten MIT UMSICHT vor. Wenn das Gerät aufgrund von Hochfrequenzstörungen ein unregelmäßiges Verhalten aufweist, **SCHALTEN SIE SOFORT** den **ROTEN** Netzschalter in die Position **AUS**. **SCHALTEN** Sie den Netzschalter **NICHT EIN**, solange eine Übertragung stattfindet.

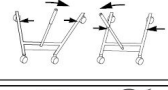
2.4 Produktkennzeichnung

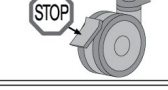
SWL


159kg








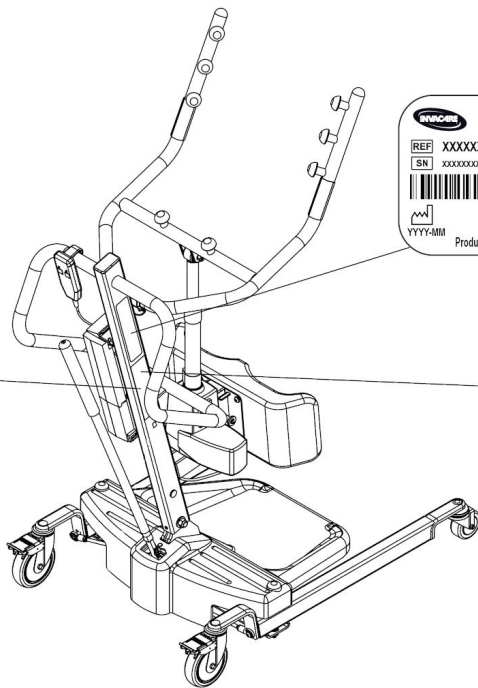






1171742 Rev B

RPS350-I FR



Invacare

Invacare Portugal, Lda
Rua Estrada Vólta 949
4465-784 Leça do Balio, Portugal

ISO 10535

CE

REF XXXXXX XXXXX XX

SM XXXXXXXXXXXXX

XXXXXXXX XXXX

XXXXXXXX XXXX

XXXXXXXX XXXX

XXXXXXXX XXXX

XXXXXXXX XXXX

XXXXXXXXXXXXXXXXXXXX

XXXXXXXXXXXXXXXXXXXX

YYYY-MM

Product name

⚠ xxx kg

☐


♿

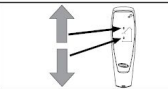
♻

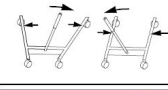
XXXXXXXXXXXXXXXXXXXX

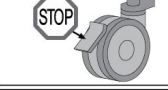
SWL


159kg














1167425 Rev B

RPS350-IE

3 Inbetriebnahme

3.1 Sichere Montage

**WARNUNG!****Verletzungsrisiko**

Unsachgemäße Montage kann zu Personen- und Sachschäden führen.

- Die Montage darf **AUSSCHLIESSLICH** von qualifiziertem Personal vorgenommen werden.
- Verwenden Sie zur Montage der Hubvorrichtung nur Teile von Invacare. Die Komponenten der Hubvorrichtung entsprechen Spezifikationen, die eine korrekte Ausrichtung aller Teile für eine sichere und korrekte Funktionsweise gewährleisten.
- Ziehen Sie die Befestigungsteile nicht zu fest an. Dadurch wird die Halterung beschädigt.



Für die Montage der Hubvorrichtung sind keine Werkzeuge erforderlich.

Kontaktieren Sie einen lokalen Invacare-Vertreter, falls Sie Fragen oder Probleme bei der Montage haben. Lesen Sie dazu die Kontaktinformationen am Ende dieses Handbuchs.

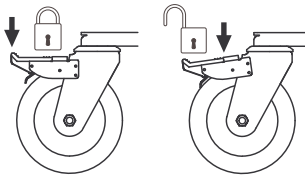
3.2 Montage der Mastseinheit auf der Basis



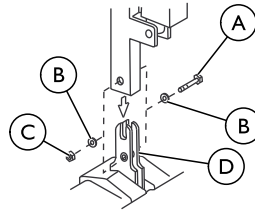
WARNUNG!

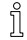
– Für die Montage dieses Patientenlifters dürfen Sie nur Originalteile von Invacare verwenden. Die Fußschiene der Basis, der Mast, der Ausleger, die Pumpeneinheit und die Schwenkstange werden genau nach den technischen Vorgaben gefertigt, damit alle Teile korrekt ineinander passen und ein sicherer Betrieb gewährleistet ist.

Detailzeichnung A



Detailzeichnung B



1. Stellen Sie die Basis auf den Fußboden.
 Dabei müssen alle vier Schwenkrollen den Fußboden berühren.
2. Verriegeln Sie die beiden hinteren Rollen. Siehe Detailzeichnung „A“.
3. Entfernen Sie die Sechskantschraube mitsamt Unterlegscheiben und Mutter aus der U-förmigen Öffnung an der Basis.
4. Bringen Sie den Masten in die senkrechte Position.
5. Senken Sie nun den Masten auf die Montagehalterung ab.
6. Befestigen Sie den Masten an der Basis mit der Sechskantschraube, den Unterlegscheiben und der Mutter. Ziehen Sie die Schrauben fest.

3.3 Vor der Inbetriebnahme des Patientenlifters

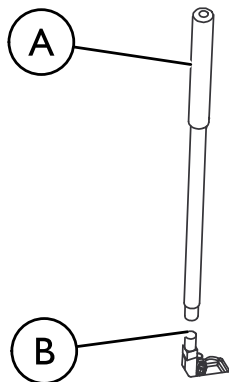
VOR der Verwendung sind alle Komponenten zu überprüfen und festzuziehen.

| | |
|---------------------|--------------------|
| Ⓐ Sechskantschraube | Ⓒ Mutter |
| Ⓑ Unterlegscheibe | Ⓓ Montagehalterung |



Die Mastseinheit kann von der Basis abmontiert werden, wenn der Patientenlift gelagert oder transportiert werden soll. Vor der Verwendung des Patientenlifters MUSS die Mastseinheit ordnungsgemäß auf der Basis befestigt werden.

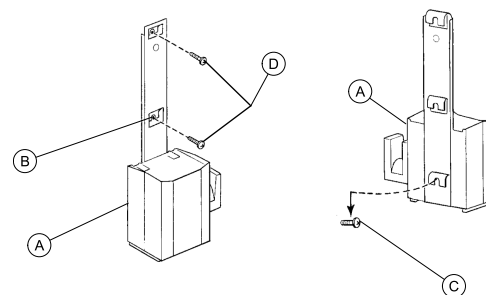
3.4 Montage des Schalthebels



| | |
|---------------|-----------------------------|
| Ⓐ Schalthebel | Ⓑ Passtück mit Außengewinde |
|---------------|-----------------------------|

1. Nehmen Sie den Schalthebel aus dem Verpackungskarton heraus.
2. Schrauben Sie den Schalthebel auf das Passtück mit Außengewinde. Das Passtück befindet sich auf der Basis.


3.5 Montage der Halterung für das Batterieladegerät an der Wand.



Beachten Sie bei der Montage die örtlichen Vorgaben.

Diese Vorgehensweise gilt nur für die Modelle vom Typ RPS350-1E.

1. Legen Sie das Batterieladegerät mit der Halterung Ⓐ an der gewünschten Stelle an der Wand an.
2. Markieren Sie die Position mit einem Bleistift, indem Sie das mittlere Loch Ⓑ markieren.
3. Messen Sie von der Bleistiftmarkierung 16,5 cm nach unten ab und bohren dort ein Loch.
4. Schrauben Sie die Befestigungsschraube Ⓒ so weit ein, bis zwischen Schraubenkopf und Wand ein Abstand von etwa 3 mm besteht.
5. Stecken Sie das Batterieladegerät mit der Halterung auf die Befestigungsschraube.
6. Bohren Sie anschließend die anderen zwei vorgesehenen Montagelöcher.

7. Schrauben Sie die anderen beiden Befestigungsschrauben  durch die Halterung in die Wand ein. Ziehen Sie sie an.
8. Schließen Sie das Batterieladegerät an die Stromversorgung an.



Die Lampe am Gerät müsste leuchten.

4 Verwenden

4.1 Einführung

Die Bedienung der Hubvorrichtung ist einfach und sicher.



Lesen Sie vor Verwendung der Hubvorrichtung die Sicherheitsanweisungen sowie weitere Hinweise in den folgenden Abschnitten:

- 2.2 *Bedienungsinformationen, Seite 52*
- 5.3 *Anheben des Patienten, Seite 74*

4.2 Zusammenklappen und Öffnen der Fußschienen



WARNUNG! **Verletzungsrisiko**

Der Lifter könnte kippen und den Patienten und die Helfer in Gefahr bringen.

- Die Fußschienen des Patientenlifts **MÜSSEN** maximal geöffnet sein, damit optimale Stabilität und Sicherheit gewährleistet sind. Falls es erforderlich ist, die Schenkel zu schließen, um den Patientenlifter unter ein Bett zu schieben, lassen Sie die Beine nur so lange geschlossen, bis Sie den Patientenlifter korrekt über dem Patienten positioniert und den Patienten vom Bett hochgehoben haben. Sobald die Fußschienen des Patientenlifters nicht mehr unter dem Bett sind, öffnen Sie die Fußschienen wieder maximal.

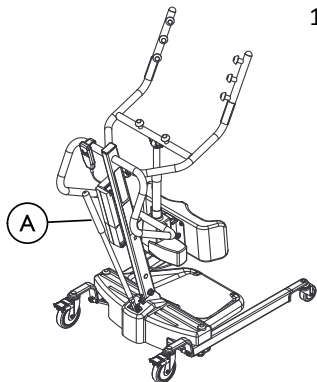
4.2.1 Zusammenklappen und Öffnen der Fußschienen

Der Schalthebel dient zum Öffnen oder Schließen der Fußschienen an der Basis für Stabilität beim Anheben eines Patienten.




Lesen Sie die Sicherheitshinweise in 4.2 *Zusammenklappen und Öffnen der Fußschienen, Seite 61* bevor Sie diesen Vorgang ausführen.


Ⓐ = Schalthebel



1. Zusammenklappen der Fußschienen:
Ziehen Sie den Schalthebel HERAUS, weg vom Patientenlifter und anschließend auf Ihre LINKE Seite, bis des Hebels in die Kerbe der Halterung EINRASTET.

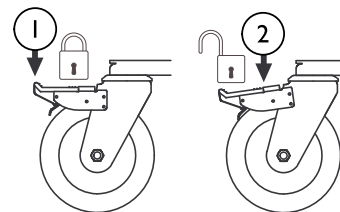
 Die linke Seite befindet sich links von Ihnen, wenn Sie sich hinter den Patientenlifter mit Blickrichtung zu den vorderen Rollen stellen.

2. Öffnen des Fahrgestelles:
Ziehen Sie den Schalthebel HERAUS, weg vom Patientenlifter und anschließend auf Ihre RECHTE Seite, bis der Hebel in die Kerbe der Halterung EINRASTET.

 Die rechte Seite befindet sich rechts von Ihnen, wenn Sie sich hinter den Patientenlift mit Blickrichtung

zu den vorderen Rollen stellen.

4.3 Verriegeln und Entriegeln der hinteren Rollen



1. Zum Verriegeln hier auf den Hebel treten.
2. Zum Entriegeln hier auf den Hebel treten.

4.4 Heben/Senken der Hubvorrichtung



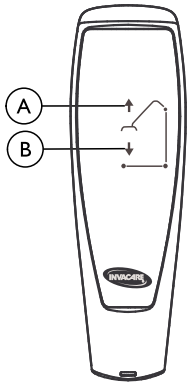
WARNUNG! **Verletzungsrisiko**

Die Hubvorrichtung kann kippen und den Patienten und das Pflegepersonal gefährden.
– Invacare empfiehlt, die hinteren Rollen der Hubvorrichtung während der Hebevorgänge nicht zu blockieren, damit die Hubvorrichtung sich selbst stabilisiert, sobald der Patient vom Stuhl, Bett oder einer anderen Fläche angehoben wird.

4.4.1 Heben/Senken einer elektrischen Hubvorrichtung



Lesen Sie die Sicherheitshinweise in *Anheben und Absenken des Patientenlifters* bevor Sie diesen Vorgang ausführen.



1. Heben: Drücken und halten Sie zum Anheben des Arms sowie des Patienten die AUFWÄRTS-Taste ①.
2. Senken: Drücken und halten Sie zum Absenken des Arms sowie des Patienten die ABWÄRTS-Taste ②.

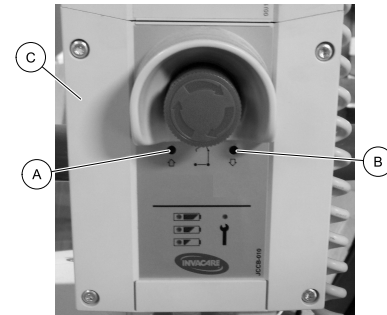


Lassen Sie die Taste los, um das Anheben/Absenken der Hubvorrichtung zu unterbrechen.

4.5 Auslösen einer mechanischen Notfallriegelung

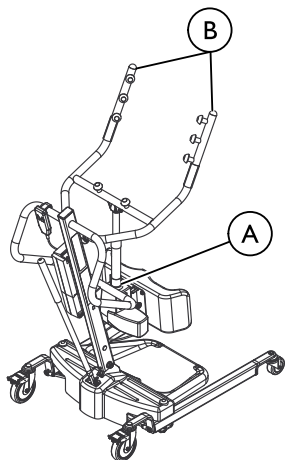
Es gibt zwei Arten der mechanischen Notfallriegelung — eine primäre und eine sekundäre.

4.5.1 Primäre Notfallriegelung




1. Stecken Sie einen Stift in das als Not-Aus-Aufwärts ① oder Not-Aus-Abwärts ② gekennzeichnete Loch an der Steuereinheit ③.

4.5.2 Sekundäre Notfallriegelung



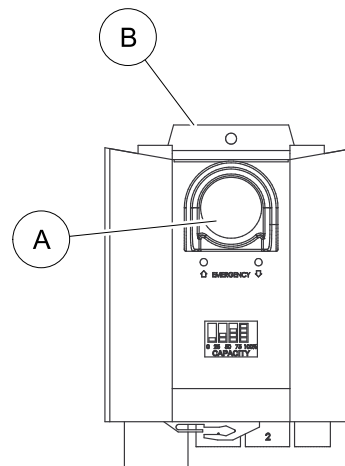
| | |
|--------------------------|------------------|
| <p>Ⓐ ROTER NOT-Griff</p> | <p>Ⓑ Hubarme</p> |
|--------------------------|------------------|

 Die Verwendung der primären Notfallriegelung wird empfohlen. Die sekundäre Notfallriegelung dient lediglich zur Sicherung der primären Notfallriegelung.

Die sekundäre Notfallriegelung kann verwendet werden, wenn die primäre nicht funktioniert oder nicht erreichbar ist.

1. Ziehen Sie am NOT-Griff Ⓐ nach oben und drücken gleichzeitig die Hubarme Ⓑ nach unten.

4.6 Not-Aus-Verfahren



1. Drücken Sie zum Anhalten des Arms und Verhindern einer weiteren Anhebung oder Absenkung des Patienten die ROTE Taste Ⓐ auf der Steuereinheit Ⓑ.
2. Drehen Sie zum Zurücksetzen den Not-Aus-Schalter im Uhrzeigersinn.

4.7 Laden der Batterie



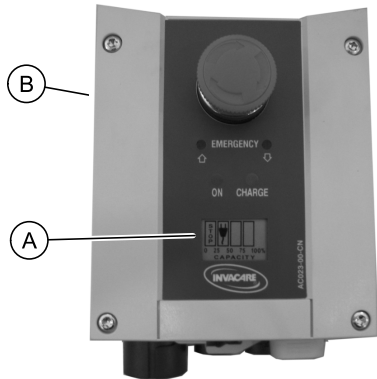
Für eine möglichst lange Lebensdauer der Batterie empfiehlt Invacare, die Batterie täglich aufzuladen.

Die Batterie kann auf zwei verschiedene Arten geladen werden. Entweder mit dem Netzkabel an der Steuereinheit, oder montiert auf dem Batterieladegerät. Befolgen Sie die entsprechenden Hinweise, um die Batterie Ihrer Hubvorrichtung aufzuladen.


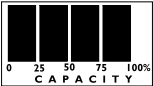
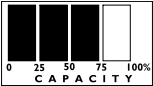
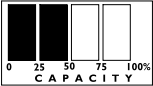
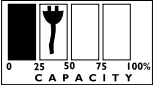
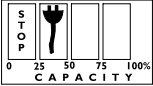
4.7.1 Batterieleuchte



Diese Vorgehensweise gilt nur für die Modelle vom Typ RPS350-1FR.



Die Batterieleuchte **A** befindet sich an der Steuereinheit **B**.
Die LEDs zeigen den Batteriestatus an:

| Batterieleuchte am Bedienelement  | Batteriestatus | Beschreibung |
|---|------------------------------|---|
|  | Voll geladen (100%) | Die Batterie ist OK und muss nicht aufgeladen werden (100%). |
|  | Teilweise geladen (75%) | Die Batterie ist OK und muss nicht aufgeladen werden (75%). |
|  | Teilweise geladen (50%) | Die Batterie muss aufgeladen werden (50%). |
|  | Niedriger Ladestand (25%) | Die Batterie muss aufgeladen werden (25%). Die Hupe ertönt, wenn eine Taste gedrückt wird. |
|  | Niedriger Ladestand (0%) | Die Batterie muss aufgeladen werden. Manche Funktionen der Hebevorrichtung sind nicht mehr verfügbar. Es ist nur noch möglich, den Arm zu senken. Bei schwacher Batterie ertönt ein Alarmton (ein Piepton). Wenn der Alarmton bei einem Hubvorgang erklingt, schließen Sie diesen Vorgang ab und laden Sie die Batterie anschließend. |

4.7.2 Laden der Batterie mit dem Netzkabel



Diese Vorgehensweise gilt nur für die Modelle vom Typ RPS350-1FR.

Ⓐ = Netzkabel hier anschließen.



VORSICHT!

– Damit ein Laden der Batterie ermöglicht wird, MUSS der Not-Aus-Schalter deaktiviert sein. Während des Ladevorgangs kann die Hubvorrichtung nicht verwendet werden. Verschieben Sie die Hubvorrichtung KEINESFALLS, solange das Netzkabel in der Steckdose steckt. Verwenden Sie die Hubvorrichtung KEINESFALLS, wenn das Batteriegehäuse beschädigt ist. Ersetzen Sie das beschädigte Batteriegehäuse vor einer erneuten Verwendung der Hubvorrichtung.

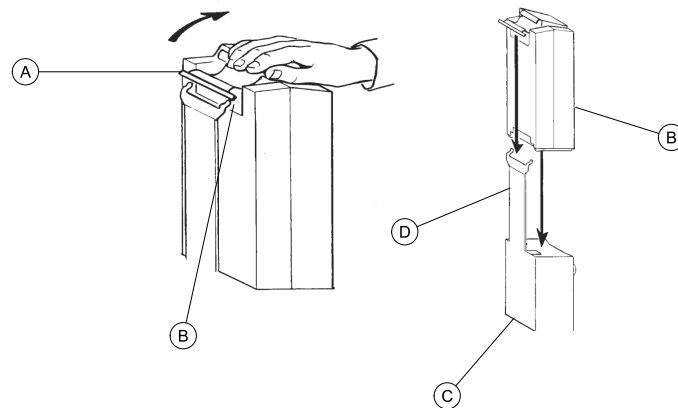
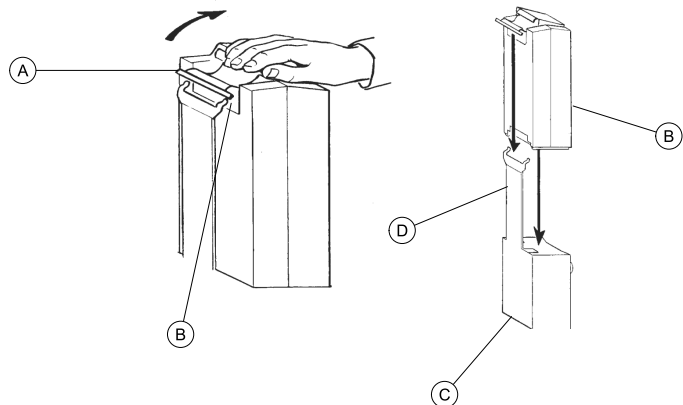
1. Schließen Sie das Netzkabel an die Steuereinheit an.
2. Schließen Sie das Netzkabel an die Stromversorgung an.



Nach etwa vier Stunden ist die Batterie vollständig aufgeladen. Der Ladevorgang muss in einem Raum mit ausreichender Luftzirkulation erfolgen.

3. Ziehen Sie das Netzkabel nach erfolgter Ladung der Batterie aus der Steckdose.

4.7.3 Laden der Batterie mit dem Batterieladegerät



1. Klappen Sie den Griff (A) auf der Rückseite der Batterie (B) nach oben.
2. Heben Sie die Batterie hoch und aus der Steuereinheit (C) heraus.




Diese Vorgehensweise gilt nur für die Modelle vom Typ RPS350-1E.



VORSICHT!

Ein unsachgemäßes Einsetzen der Batterie kann zu Personen- und Sachschäden führen.

- Achten Sie darauf, dass Sie ein Klickgeräusch hören, wenn Sie die Batterie in das Ladegerät einlegen. Das Klicken weist darauf hin, dass die Batterie ordnungsgemäß eingelegt wurde.

3. Legen Sie die Batterie wie dargestellt in das Batterieladegerät  ein. Achten Sie auf das Klickgeräusch.



Die Ladeanzeige beginnt dann zu leuchten. Nach erfolgter Ladung erlischt die Ladeanzeige wieder. Es dauert etwa vier Stunden, bis die Batterie vollständig geladen ist.

4. Klappen Sie den Griff auf der Rückseite der Batterie nach oben.
5. Heben Sie die Batterie hoch und aus dem Batterieladegerät heraus.

**VORSICHT!**

Ein unsachgemäßes Einsetzen der Batterie kann zu Personen- und Sachschäden führen.

– Achten Sie darauf, dass Sie ein Klickgeräusch hören, wenn Sie die Batterie in die Steuereinheit einlegen. Das Klicken weist darauf hin, dass die Batterie ordnungsgemäß eingelegt wurde.

6. Legen Sie die Batterie wie dargestellt wieder in die Steuereinheit ein. Achten Sie auf das Klickgeräusch.



Die Batterie muss wie dargestellt in die Steuereinheit und das Batterieladegerät eingelegt sein.

5 Patienten anheben und transferieren

5.1 Sicheres Heben



WARNUNG!

- Überschreiten Sie NIEMALS das zulässige Maximalgewicht von 159 kg für die Hubvorrichtung. Das maximal zulässige Patientengewicht ist 159 kg.
- Führen Sie KEINE Hubvorgänge ohne die Zustimmung medizinischen Fachpersonals durch.
- Um Verletzungen zu vermeiden, sollten Sie NIE in bewegliche Teile fassen.
- Während der Umlagerung, bei der sich Patient in dem Hebetuch befindet, darf die Standeinheit der Vorrichtung NIEMALS über unebene Oberflächen gerollt werden, da sie sonst instabil werden könnte.
- Verwenden Sie zum Schieben oder Ziehen der Hubvorrichtung mit Stehhilfe stets den Steuerhebel am Mast der Vorrichtung.



WARNUNG!

Betrieb der Hubvorrichtung und Anheben von Patienten

- Stellen Sie sicher, dass die mit der Hubvorrichtung mit Stehhilfe verwendete Ausrüstung (z. B. das Hebetuch) für die jeweilige Last ausgelegt ist. Stellen Sie sicher, dass die angehobene Person bei einer Fehlfunktion des Geräts keiner Gefahr ausgesetzt ist.
- Stellen Sie sicher, dass die Füße des Patienten nicht im Weg der Fußplatte sind, bevor Sie die Fußstreben der Hubvorrichtung mit Stehhilfe um den Patienten herum positionieren. Andernfalls besteht Verletzungsgefahr.
- Alle zugunsten von Komfort oder Sicherheit vorzunehmenden Einstellungen am Hebetuch müssen vor dem Anheben des Patienten erfolgen. Die Arme des Patienten sollten sich außerhalb der Gurte des Hebetuchs befinden.
- Heben Sie den Patienten leicht an und prüfen Sie den festen Sitz der Hebetuchbefestigungen, bevor Sie den Patienten von einer Auflage anheben (z. B. vom Bett, Stuhl oder Toilettensitz). Wenn die Befestigungen nicht richtig angebracht sind, senken Sie den Patienten ab, korrigieren Sie das Problem und heben Sie den Patienten erneut an, um den korrekten Sitz zu prüfen.



WARNUNG!

Betrieb der Hubvorrichtung und Anheben von Patienten

- Während der Umlagerung, bei der sich Patient in dem Hebetuch der Hubvorrichtung befindet, darf die Vorrichtung NICHT über unebene Oberflächen gerollt werden, da sie sonst aus dem Gleichgewicht geraten und kippen kann. Verwenden Sie zum Schieben oder Ziehen der Hubvorrichtung IMMER den Steuerhebel am Mast der Vorrichtung.
- Invacare empfiehlt, die hinteren Rollen der Hubvorrichtung AUSSCHLIESSLICH für das Positionieren oder Abnehmen des Hebetuchs vom Patienten (Stehhilfe bzw. Umlagerungs-Stehhilfe) zu blockieren.
- Invacare empfiehlt, die hinteren Rollen der Hubvorrichtung für den Hebevorgang am Patienten NICHT zu blockieren. Ansonsten kann die Hubvorrichtung kippen und den Patienten und das Pflegepersonal gefährden. Invacare EMPFIEHLT, die hinteren Rollen der Hubvorrichtung während der Hebevorgänge nicht zu blockieren, damit die Hubvorrichtung sich selbst stabilisiert, sobald der Patient vom Stuhl, Bett oder einer anderen Fläche angehoben wird.



WARNUNG!

Verwenden des Hebetuchs

- Verwenden Sie für den Komfort und zur Sicherheit des zu hebenden Patienten Hebetücher, die vom medizinischen Fachpersonal empfohlen wurden.
- Personen, die das Hebetuch mit Stehhilfe verwenden, MÜSSEN in der Lage sein, einen Großteil ihres eigenen Gewichts zu tragen, ansonsten besteht Verletzungsgefahr.
- Ausgeblichene, eingeschnittene, eingerissene, ausgefranste oder zerrissene Hebetücher beeinträchtigen die Sicherheit und können zu Verletzungen führen. Hebetücher, die diese Beschreibung erfüllen, müssen SOFORT entsorgt werden.
- Nehmen Sie KEINERLEI Veränderungen an den Hebetüchern vor.
- Prüfen Sie die Hebetuchbefestigungen bei jedem Entfernen und Anbringen des Hebetuchs, um sicherzustellen, dass es ordnungsgemäß angebracht ist, bevor der Patient angehoben wird (sei es vom Bett, Stuhl oder Toilettensitz).
- Wenn sich der Patient im Rollstuhl befindet, aktivieren Sie zuerst die Bremse des Rollstuhls, damit dieser nicht vor- oder zurückrollen kann.
- Stellen Sie sicher, dass die angehobene Person keiner Gefahr ausgesetzt ist, und dass diese ohne Verletzungen wieder befreit werden kann.



WARNUNG!

Hebetuch mit Stehhilfe

- Verwenden Sie das Hebetuch mit Stehhilfe in Kombination mit der Hubvorrichtung NIEMALS als Transportgerät. Der Anwendungszweck der Vorrichtung besteht darin, eine Person von einer Sitz- oder Liegefläche auf eine andere zu heben (wie z. B. von einem Bett in einen Rollstuhl).
- Stellen Sie sicher, dass das untere Ende des Hebetuchs mit Stehhilfe am unteren Rücken des Patienten positioniert ist und dass sich die Arme des Patienten außerhalb des Hebetuchs mit Stehhilfe befinden, bevor Sie den Patienten anheben. Der Gurt muss eng aber bequem am Patienten anliegen. Andernfalls kann es passieren, dass der Patient bei der Umlagerung aus dem Hebetuch rutscht und sich verletzt.
- Der Gurt muss eng aber bequem am Patienten anliegen. Andernfalls kann es passieren, dass der Patient bei der Umlagerung aus dem Hebetuch rutscht und sich verletzt.

Umlagerungshebetuch mit Stehhilfe

- Stellen Sie sicher, dass das untere Ende des Umlagerungshebetuchs am unteren Rücken des Patienten positioniert ist und dass sich die Arme des Patienten außerhalb des Umlagerungshebetuchs befinden.
- Heben Sie den Patienten NIEMALS in eine komplett stehende Position, während Sie das Umlagerungshebetuch verwenden, andernfalls besteht Verletzungsgefahr.



Weitere Informationen finden Sie in der Broschüre des Patientenhebetuchs.

5.2 Positionieren der Hubvorrichtung mit Stehhilfe



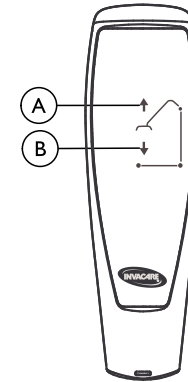
Lesen Sie den Sicherheitsabschnitt in diesem Handbuch sowie die Informationen in *5.1 Sicheres Heben, Seite 70* bevor Sie fortfahren, und beachten Sie unbedingt alle Warnungen.

Bevor Sie die Fußstreben der Hubvorrichtung unter einem Bett positionieren, müssen Sie sicherstellen, dass der darunter befindliche Bereich nicht durch Gegenstände versperrt ist.

**WARNUNG!****Verletzungsrisiko**

Die Hubvorrichtung kann kippen und den Patienten und das Pflegepersonal gefährden.

- Die Fußstreben der Hubvorrichtung müssen so weit wie möglich auseinander stehen, damit ein Höchstmaß an Stabilität und Sicherheit gewährleistet ist. Sollte es erforderlich sein, die Fußstreben zusammen zu schieben, z. B. um die Hubvorrichtung unter einem Bett zu verschieben, lassen Sie die Fußstreben nur so lange zusammengeschoben, wie es dauert, die Hubvorrichtung über dem Patienten zu positionieren und ihn vom Bett abzuheben. Schieben Sie die Fußstreben der Hubvorrichtung wieder so weit wie möglich auseinander, sobald sich die Fußstreben nicht mehr unter dem Bett befinden.



| | |
|------------------|-----------------|
| Ⓐ AUFWÄRTS-Taste | Ⓑ ABWÄRTS-Taste |
|------------------|-----------------|

1. Stellen Sie sicher, dass sich das Fahrgestell des Lifters in maximaler Öffnungstellung befindet. Wenn dies nicht der Fall ist, öffnen Sie das Fahrgestell mit Hilfe des Schalthebels.
2. Positionieren Sie den Patientenlifter an der gewünschten Stelle. Fassen Sie dazu stets den Griff am Masten an.
3. Drücken Sie auf der manuellen Steuerung auf die Nach-unten-Taste, um die Hebelarme abzusenken, denn so lässt sich der Gurt einfacher befestigen.

5.3 Anheben des Patienten



WARNUNG!

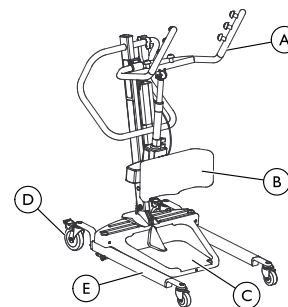
- Überschreiten Sie NIEMALS das zulässige Maximalgewicht von 159 kg für die Hubvorrichtung. Das maximal zulässige Patientengewicht ist 159 kg.
- Personen, die das Hebetuch mit Stehhilfe verwenden, MÜSSEN in der Lage sein, einen Großteil ihres eigenen Gewichts zu tragen, ansonsten besteht Verletzungsgefahr.
- Sperren Sie die hinteren Rollen der Hubvorrichtung mit Stehhilfe für den Hebevorgang am Patienten NIEMALS. Bei gesperrten hinteren Rollen kann die Hubvorrichtung kippen und den Patienten und das Pflegepersonal gefährden. Die hinteren Rollen der Hubvorrichtung dürfen während der Hebevorgänge nicht gesperrt werden, damit die Hubvorrichtung sich selbst stabilisieren kann, wenn der Patient vom Stuhl, Bett oder einer anderen Fläche angehoben wird.
- Bewegen Sie den Patienten NIEMALS, wenn das Hebetuch nicht korrekt an den Befestigungspunkten an der Hubvorrichtung angebracht ist.



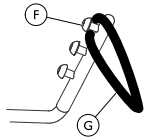
WARNUNG!

- Achten Sie darauf, dass das Hebetuch korrekt angebracht ist, BEVOR Sie den Patienten anheben. Korrigieren Sie das Problem, falls eine der Befestigungen nicht korrekt angebracht ist. Heben Sie das Hebetuch einige cm von der Oberfläche an und prüfen Sie erneut den korrekten Sitz von Hebetuch und sämtlichen Befestigungen, bevor Sie den Patienten umlagern. Falls Sie ein Problem entdecken, lassen Sie den Patienten noch einmal auf seine Auflagefläche ab und korrigieren Sie das Problem. Andernfalls besteht Gefahr von Verletzungen oder Sachschäden.
- Alle zugunsten von Komfort oder Sicherheit vorzunehmenden Einstellungen am Hebetuch müssen vor dem Anheben des Patienten erfolgen.

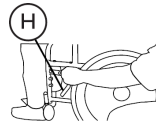
Detail A — Hubvorrichtung mit Stehhilfe



**Detail B —
Hebetuchbefestigung**



Detail C — Bremsen



| | |
|-----------------|-----------------|
| Ⓐ Handgriffe | Ⓔ Fußstrebe |
| Ⓑ Kniestütze | Ⓕ Haken |
| Ⓒ Fußplatte | Ⓖ Hebetuchgurte |
| Ⓓ Hintere Rolle | Ⓗ Bremse |



Der Patient MUSS sich zunächst in einer sitzenden Position befinden. Bringen Sie den Patienten mit dem Kopfende des Betts in eine aufrechte Position und bewegen Sie die Beine anschließend über die Bettkante.

1. Weisen Sie den Patienten an, sich an den Handgriffen an beiden Seiten der Patientenhubvorrichtung mit Stehhilfe festzuhalten (Detail A).
2. Weisen Sie den Patienten an, sich nach hinten in das Steh- bzw. Umlagerungshebetuch zu lehnen.



WARNUNG!

- Hebetuch mit Stehhilfe - Stellen Sie sicher, dass das untere Ende des Hebetuchs mit Stehhilfe am unteren Rücken des Patienten positioniert ist und dass sich die Arme des Patienten außerhalb des Hebetuchs mit Stehhilfe befinden, bevor Sie den Patienten anheben.
- Umlagerungshebetuch mit Stehhilfe - Stellen Sie sicher, dass das untere Ende des Umlagerungshebetuchs am unteren Rücken des Patienten positioniert ist und dass sich die Arme des Patienten außerhalb des Umlagerungshebetuchs befinden.

3. Stellen Sie Folgendes sicher:
 - a. Die Knie des Patienten liegen sicher auf der Kniestütze auf.
 - b. Die Füße des Patienten stehen sicher auf der Fußplatte.
 - c. Hebetücher:
 - das untere Ende des Hebetuchs mit Stehhilfe ist am unteren Rücken des Patienten positioniert.
 - das untere Ende des Umlagerungshebetuchs mit Stehhilfe ist am unteren Rücken des Patienten positioniert.
 - Die Arme des Patienten befinden sich außerhalb des Hebetuchs.
 - die Gurte am Hebetuch sind komplett in den Haken an den Hubarmen befestigt (Detail B).
 - d. Die hinteren Rollen sind entsperrt.
 - e. Die Fußstreben sind vollständig geöffnet.



WARNUNG!

– Beim Umlagern eines Patienten aus einem Rollstuhl MUSS die Rollstuhlbremse vor dem Absenken des Patienten in einen Rollstuhl blockiert werden. Andernfalls besteht Verletzungsgefahr.

4. Blockieren Sie die Rollstuhlbremse beim Umlagern aus einem Rollstuhl (Detail C).
5. Drücken Sie die AUFWÄRTS-Taste an der Handsteuerung, um den Patienten über die Oberfläche anzuheben (Bett, Rollstuhl oder Toilettensitz). Das Gewicht des Patienten wird dabei komplett von der Hubvorrichtung mit Stehhilfe getragen (Detail D).



Der tiefe Schwerpunkt verleiht der Hubvorrichtung Stabilität und gibt dem Patienten ein stärkeres Sicherheitsgefühl. Zudem lässt sich die Hubvorrichtung so leichter bewegen.

5.4 Umlagern des Patienten



WARNUNG!

- Die Fußstreben der Stehhilfe MÜSSEN so weit wie möglich auseinander stehen, damit ein Höchstmaß an Stabilität und Sicherheit gewährleistet ist. Wenn sich der Patient im Hebetuch befindet und eine schmale Passage durchqueren muss, schließen Sie die Fußstreben der Stehhilfe nur so lange, wie Sie für die Durchquerung der Passage benötigen. Bringen Sie die Fußstreben der Hubvorrichtung mit Stehhilfe nach dem Durchqueren der Passage wieder in eine vollständig geöffnete Position.
- Während der Umlagerung, bei der sich Patient in dem Hebetuch befindet, darf die Standeinheit NIEMALS über unebene Oberflächen gerollt werden, da sie sonst instabil werden könnte. Dabei besteht die Gefahr, dass die Hubvorrichtung umkippt. Verwenden Sie zum Schieben oder Ziehen der Hubvorrichtung stets den Steuerhebel am Mast.

1. Stellen Sie sicher, dass die Fußstreben der Hubvorrichtung komplett geöffnet sind. Drücken Sie andernfalls die FUSSÖFFNER-Taste an der Handsteuerung, um die Fußstreben komplett zu öffnen.
2. Bewegen Sie die Hubvorrichtung mit Stehhilfe von der bisherigen Auflage des Patienten weg.
3. Bewegen Sie den Patienten langsam auf die gewünschte Oberfläche.

6 Umlagern des Patienten

6.1 Sichere Umlagerung



WARNUNG!

- Überschreiten Sie NIEMALS das zulässige Maximalgewicht von 159 kg für die Hubvorrichtung. Das maximal zulässige Patientengewicht ist 159 kg.
- Führen Sie KEINE Umlagerungen von Patienten ohne die Zustimmung medizinischen Fachpersonals durch. Lesen Sie die Anweisungen in diesem Anwenderhandbuch gründlich, lassen Sie sich die Hubverfahren von einem geschulten Expertenteam zeigen und führen Sie anschließend das gesamte Hubverfahren unter ordnungsgemäßer Anleitung an einer geeigneten Person durch, die sich als Patient zur Verfügung stellt. Auf Wunsch bieten wir Schulungen an. Weitere Informationen erhalten Sie von Ihrer lokalen Invacare-Niederlassung.
- Bewegen Sie den Patienten NIEMALS, wenn das Hebetuch nicht korrekt mit den Befestigungspunkten an der Hubvorrichtung verbunden ist. Prüfen Sie vor dem Anheben des Patienten, ob das Hebetuch korrekt mit den Befestigungspunkten an der Hubvorrichtung verbunden ist. Korrigieren Sie das Problem, falls eine der Befestigungen nicht korrekt angebracht ist. Heben Sie das Hebetuch einige cm von der Oberfläche an und prüfen Sie

erneut den korrekten Sitz aller Befestigungen, bevor Sie den Patienten umlagern. Falls eine Befestigung nicht korrekt angebracht ist, lassen Sie den Patienten noch einmal auf seine Auflagefläche ab und korrigieren Sie das Problem. Andernfalls besteht Gefahr von Verletzungen oder Sachschäden.



WARNUNG!

- Alle zugunsten von Komfort oder Sicherheit vorzunehmenden Einstellungen am Hebetuch müssen vor dem Anheben des Patienten erfolgen. Die Arme des Patienten sollten sich außerhalb der Gurte befinden.
- Verwenden Sie für den Komfort und zur Sicherheit des zu hebenden Patienten Hebetücher, die vom medizinischen Fachpersonal empfohlen wurden.
- Sperren Sie die hinteren Rollen der Hubvorrichtung mit Stehhilfe für den Hebevorgang am Patienten NIEMALS. Bei gesperrten hinteren Rollen kann die Hubvorrichtung kippen und den Patienten und das Pflegepersonal gefährden.
- Die Fußstreben der Stehhilfe MÜSSEN so weit wie möglich auseinander stehen, damit ein Höchstmaß an Stabilität und Sicherheit gewährleistet ist. Wenn sich der Patient im Hebetuch befindet und eine schmale Passage durchqueren muss, schließen Sie die Fußstreben der Stehhilfe nur so lange, wie Sie für die Durchquerung der Passage benötigen.

Bringen Sie die Fußstreben der Hubvorrichtung mit Stehhilfe nach dem Durchqueren der Passage wieder in eine vollständig geöffnete Position. Sollte es erforderlich sein, die Fußstreben zusammen zu schieben, z. B. um die Hubvorrichtung mit Stehhilfe unter einem Bett zu verschieben, lassen Sie die Fußstreben nur so lange zusammengeschoben, wie es dauert, die Hubvorrichtung mit Stehhilfe über dem Patienten zu positionieren und ihn vom Bett abzuheben. Öffnen Sie die Fußstreben der Hubvorrichtung mit Stehhilfe wieder komplett, sobald sich die Fußstreben nicht mehr unter dem Bett befinden.

**WARNUNG!**

- Prüfen Sie die Hebetuchbefestigungen bei jedem Entfernen und Anbringen des Hebetuchs, um sicherzustellen, dass es ordnungsgemäß angebracht ist, bevor der Patient von der Oberfläche angehoben wird.

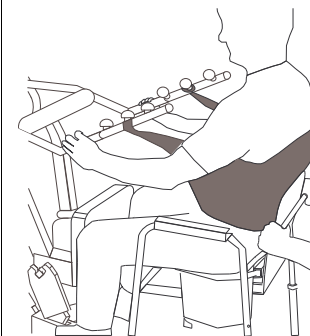
Der Einsatz nur eines Bedieners sollte nach Beurteilung der Pflegeperson in Abhängigkeit vom jeweiligen Fall erfolgen.

6.2 Umlagerung auf einen Toilettensitz

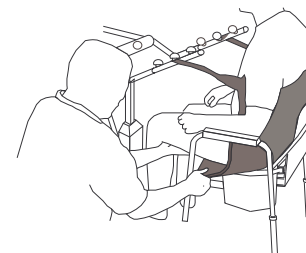
Detail A



Detail B



Detail C

**WARNUNG!**

- Invacare empfiehlt, die hinteren Rollen der Hubvorrichtung nur für das Positionieren oder Abnehmen des Hebetuchs vom Patienten zu blockieren.

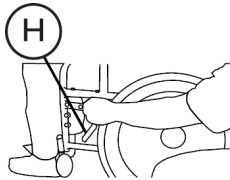
1. Heben Sie den Patienten von der Bettkante an.
2. Drücken Sie die AUFWÄRTS-Taste an der Handsteuerung, um den Patienten weit genug anzuheben, sodass die Arme des Toilettensitzes frei sind. Das Gewicht wird dabei von der Hubvorrichtung mit Stehhilfe getragen.
3. Führen Sie den Patienten auf den Toilettensitz. Dabei sind möglicherweise zwei Personen erforderlich.
4. Drücken Sie die ABWÄRTS-Taste, um den Patienten auf den Toilettensitz abzusenken.
5. Sperren Sie die hinteren Rollen der Patientenhubvorrichtung mit Stehhilfe.
6. Führen Sie je nach Art des Hebetuchs eine der folgenden Aktionen aus:
 - Hebetuch mit Stehhilfe - nehmen Sie die Stehhilfe von den Befestigungspunkten an der Hubvorrichtung ab.
 - Umlagerungshebetuch mit Stehhilfe -
 - a. nehmen Sie das Umlagerungshebetuch von den unteren Befestigungspunkten an der Hubvorrichtung ab.
 - b. Heben Sie die Beine des Patienten an und ziehen Sie die Beinstützen unter dem Patienten heraus.
 - c. Nehmen Sie bei Bedarf das Umlagerungshebetuch von den oberen Befestigungspunkten an der Hubvorrichtung ab.
7. Weisen Sie den Patienten an, die Füße von der Fußplatte zu nehmen.
8. Nehmen Sie das Hebetuch vom Patienten ab.
9. Entsperren Sie die hinteren Rollen und ziehen Sie die Patientenhubvorrichtung mit Stehhilfe vom Toilettensitz weg.
10. Überprüfen Sie nach der Benutzung des Toilettensitzes, dass das Hebetuch korrekt angebracht ist.



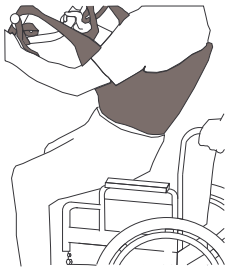
Der Patient kann im oberen Teil des Umlagerungshebetuchs verbleiben, während auf dem Toilettensitz sitzt.

6.3 Umlagerung in einen Rollstuhl

Detail A



Detail B



Detail C



  = Rollstuhlbremse

1. Stellen Sie sicher, dass die Fußstreben der Vorrichtung geöffnet sind, wenn sich der Patient im Hebetuch befindet. Öffnen Sie die Fußstreben mit der Fußöffner-Taste vollständig.
2. Bringen Sie den Rollstuhl in Position.
3. Blockieren Sie die Rollstuhlbremse, sodass der Rollstuhl nicht wegrollen kann (Detail A).



WARNUNG!

– Lagern Sie den Patienten **AUF KEINEN FALL** in einen Rollstuhl ohne angezogene Bremse um. Vor dem Absenken des Patienten in einen Transportrollstuhl **MUSS** die Rollstuhlbremse blockiert werden. Andernfalls besteht Verletzungsgefahr.

4. Positionieren Sie den Patienten über dem Rollstuhl (Detail "B").
5. Drücken Sie die Taste mit Pfeil nach unten, um den Patienten in den Rollstuhl abzusenken.



WARNUNG!

– Blockieren Sie die hinteren Rollen der Hubvorrichtung **AUSSCHLIESSLICH** für das Positionieren oder Abnehmen des Hebetuchs vom Patienten (Stehhilfe bzw. Umlagerungs-Stehhilfe). Andernfalls besteht Verletzungsgefahr.

6. Blockieren Sie die hinteren Rollen.

7. Nehmen Sie das Hebetuch von allen Befestigungspunkten der Hubvorrichtung ab.
8. Weisen Sie den Patienten an, die Füße von der Fußplatte zu nehmen. Unterstützen Sie den Patienten dabei, falls erforderlich.
9. Nehmen Sie das Hebetuch vom Patienten ab.
10. Entsperren Sie die hinteren Rollen und ziehen Sie die Patientenhubvorrichtung mit Stehhilfe vom Rollstuhl weg.

6.4 Umlagerung in ein Bett



Der tiefe Schwerpunkt verleiht der Hubvorrichtung Stabilität und gibt dem Patienten ein stärkeres Sicherheitsgefühl. Zudem lässt sich die Hubvorrichtung so leichter bewegen.

1. Positionieren Sie den Patienten so weit wie möglich über dem Bett.



Wenn der Patient von einer Auflage umgelagert wird, die niedriger als das Bett ist, drücken Sie die Pfeiltaste nach oben, um den Patienten über die Bettkante hinaus anzuheben. Heben Sie den Patienten nur so weit vom Bett ab, dass der Patient vollständig von der Hubvorrichtung getragen wird.

2. Drücken Sie die Taste mit Pfeil nach unten, um den Patienten auf das Bett abzusenken.



WARNUNG!

– Invacare empfiehlt, die hinteren Rollen der Hubvorrichtung NUR für das Positionieren oder Abnehmen des Hebetuchs vom Patienten zu blockieren.

3. Blockieren Sie die hinteren Rollen.
4. Nehmen Sie die Stehhilfe bzw. das Hebetuch mit Stehhilfe von allen Befestigungspunkten an der Hubvorrichtung ab.
5. Weisen Sie den Patienten an, die Füße von der Fußplatte zu nehmen.



Unterstützen Sie den Patienten dabei, falls erforderlich.

6. Nehmen Sie Stehhilfe bzw. Umlagerungs-Stehhilfe vom Patienten ab.
7. Entsperren Sie die hinteren Rollen und ziehen Sie die Patientenhubvorrichtung mit Stehhilfe vom Bett weg.

7 Problembehandlung

7.1 Tabelle Fehlerbehebung

| PROBLEM | URSACHE | LÖSUNG |
|---|--|--|
| Geräusche oder Knirschen der Drehgelenke. | Schmierung erforderlich. | Lesen Sie hierzu auch <i>8.5 Schmieren der Hubvorrichtung, Seite 87.</i> |
| Elektrischer Verstellmotor beginnt nicht mit dem Hebevorgang, wenn die Taste gedrückt wird. | Verbindung zur Handsteuerung oder Verstellmotor locker. | Schließen Sie die Handsteuerung bzw. den Verstellmotor richtig an. Stellen Sie sicher, dass die Stecker ordnungsgemäß und vollständig eingesteckt sind. |
| | Schwache Batterie. | Laden Sie die Batterie auf. Lesen Sie hierzu auch <i>4.7 Laden der Batterie, Seite 65.</i> |
| | ROTER Not-Aus-Schalter ist eingedrückt. | Drehen Sie den ROTEN Not-Aus-Schalter im UHRZEIGERSINN, bis er wieder herauspringt. |
| | Batterie nicht richtig an Steuereinheit angeschlossen. | Schließen Sie die Batterie erneut an die Steuereinheit an. Lesen Sie hierzu auch <i>4.7 Laden der Batterie, Seite 65.</i> |
| | Die Anschlüsse sind beschädigt. | Tauschen Sie den Akkupack aus. Lesen Sie hierzu auch <i>4.7 Laden der Batterie, Seite 65.</i> |
| | Der elektrische Verstellmotor muss gewartet werden, oder die Last ist zu schwer. | Lesen Sie hierzu auch <i>8.7 Austausch des elektrischen Verstellmotors, Seite 89.</i> Setzen Sie sich mit Ihrem Händler oder Invacare-Vertreter in Verbindung. |

| PROBLEM | URSACHE | LÖSUNG |
|--|--|---|
| Ungewöhnliche Geräusche vom Verstellmotor des Hubarms. | Verstellmotor ist verschlissen oder beschädigt, oder die Spindel ist verbogen. | Lesen Sie hierzu auch <i>8.7 Austausch des elektrischen Verstellmotors, Seite 89</i> . Setzen Sie sich mit Ihrem Händler oder Invacare-Vertreter in Verbindung. |
| Hubarme fahren nicht aus der höchsten Position nach unten. | Zum Absenken der Hubarme aus der höchsten Position ist ein Mindestgewicht erforderlich. | Ziehen Sie die Hubarme leicht nach unten. |
| Die Fußstreben öffnen und schließen sich nicht korrekt. | Die Verstellmotoren der Fußstreben sind verschlissen oder beschädigt, oder die Spindel ist verbogen. | Lesen Sie hierzu auch <i>8.6 Einstellen der Basis, Seite 88</i> . |



Bei Problemen, die nicht durch die genannten Lösungen behoben werden können, setzen Sie sich mit Ihrem Händler oder Invacare in Verbindung.

8 Instandhaltung

8.1 Prüfliste für Wartung und Überprüfung der Sicherheit



WARNUNG!

- Die Wartung DARF NUR von qualifiziertem Personal vorgenommen werden.
- Eine kompetente Person muss die ausreichende Stärke und Stabilität des Produkts bei allen Arbeiten sicherstellen, wenn Teile ausgetauscht werden.
- Ziehen Sie die Befestigungsteile NIEMALS zu fest an, um die Halterungen nicht zu beschädigen.



Um die Hubvorrichtung kontinuierlich einsatzbereit zu halten, halten Sie bitte die in diesem Handbuch beschriebenen Wartungsverfahren ein.

Die Invacare-Patientenhubvorrichtung ist für einen möglichst sicheren, effizienten und zufriedenstellenden Betrieb bei einem Mindestmaß an Wartung und Pflege ausgelegt.

Alle Teile der Invacare-Hubvorrichtung bestehen aus hochgradigem Stahl. Allerdings führt die Reibung von Metall auf Metall nach starkem Gebrauch zu Verschleiß.

Rollen und Bremsen müssen weder eingestellt noch gewartet, sondern lediglich gereinigt, geschmiert und deren Achsen und Bolzen auf festen Sitz überprüft werden. Reinigen Sie die Räder und Drehgelenkslager von allen Verunreinigungen. Tauschen Sie alle Teile UNVERZÜGLICH aus, die Anzeichen von Verschleiß aufweisen.

Wenn Sie Zweifel an der Sicherheit eines Teils der Hubvorrichtung haben, kontaktieren Sie SOFORT Ihren Händler.

Die regelmäßige Wartung von Patientenhubvorrichtungen und deren Zubehör ist für eine ordnungsgemäße Funktionsweise unabdingbar. Die für die Hubvorrichtung verantwortliche Person ist ebenfalls für die Durchführung dieser Wartung verantwortlich.

Nach den ersten 12 Monaten im Betrieb müssen alle Drehpunkte und Befestigungen auf Abnutzung geprüft werden. Wenn die Metallteile Anzeichen von Verschleiß aufweisen, MÜSSEN diese ausgetauscht werden. Führen Sie diese Inspektion im Anschluss alle sechs Monate durch.

| | |
|--|------------|
| Datum der Prüfung: | Initialen: |
| STANDEINHEIT MIT ROLLEN: | |
| <input type="checkbox"/> Überprüfen Sie die Standeinheit auf Vollständigkeit. <input type="checkbox"/> Die Fußstreben der Standeinheit sollten sich leicht nach innen/außen verschieben lassen. <input type="checkbox"/> Überprüfen Sie die Rollen und Achsbolzen auf festen Sitz. <input type="checkbox"/> Überprüfen Sie die Rollen auf Leichtgängigkeit. <input type="checkbox"/> Entfernen Sie jegliche Art von Verunreinigung. <input type="checkbox"/> Überprüfen Sie die Drehgelenke auf Anzeichen von Verschleiß. | |
| HEBETÜCHER UND GESTELL | |
| <input type="checkbox"/> Prüfen Sie bei jeder Verwendung alle Hebetuchanbringungen, um sicherzustellen, dass das Hebetuch richtig befestigt und der Patient darin sicher ist. <input type="checkbox"/> Überprüfen Sie das Material des Hebetuchs auf Anzeichen von Verschleiß. <input type="checkbox"/> Überprüfen Sie die Gurte auf Anzeichen von Verschleiß. <input type="checkbox"/> Überprüfen Sie die Nähte. | |
| DIE VERSTELLMOTOREINHEIT | |
| <input type="checkbox"/> Überprüfen Sie den Motor auf Dichtigkeit. <input type="checkbox"/> Überprüfen Sie alle Teile an Mast, Arm und Standeinheit. <input type="checkbox"/> Überprüfen Sie sie auf Verschleiß und Abrieb. Senden Sie diese bei Beschädigungen an das Werk zurück. <input type="checkbox"/> Führen Sie einen Zyklus durch, um den leichten und leisen Betrieb des Verstellmotors zu überprüfen. | |

| |
|---|
| HUBARME UND VERBINDUNGEN |
| <input type="checkbox"/> Überprüfen Sie das gesamte Gestell und die Befestigungspunkte. <input type="checkbox"/> Überprüfen Sie sie auf Verbiegungen. <input type="checkbox"/> Überprüfen Sie die Schraubverbindungen der Hubarme auf Verschleiß. <input type="checkbox"/> Stellen Sie sicher, dass sich die Hubarme mittig zwischen den Fußstreben befinden. <input type="checkbox"/> Überprüfen Sie die Drehgelenke auf Anzeichen von Verschleiß. <input type="checkbox"/> Überprüfen Sie die Hebetuchhaken auf Verschleiß und Verbiegungen. |
| DER MAST |
| <input type="checkbox"/> Der Mast muss sicher an den Hubarmen befestigt sein. <input type="checkbox"/> Überprüfen Sie sie auf Verbiegungen. <input type="checkbox"/> Überprüfen Sie die Drehgelenke auf Anzeichen von Verschleiß. |
| REINIGUNG |
| <input type="checkbox"/> Nach Bedarf. |

8.2 Reinigung von Hebetuch und Hubvorrichtung



WARNUNG!

– Prüfen Sie das Hebetuch NACH der Reinigung (gemäß der Reinigungsanweisungen auf dem Hebetuch). Stellen Sie sicher, dass dieses keine Verschleißerscheinungen und schadhafte Nähte aufweist. Patientenhebetücher, die diese Beschreibung nicht erfüllen, müssen **SOFORT** entsorgt werden.

Reinigung des Hebetuchs

Die Hebetücher müssen regelmäßig bei Wassertemperaturen von maximal 95°C und einem biologischen Reinigungsmittel gewaschen werden. Weitere Informationen finden Sie in den Reinigungshinweisen in der Bedienungsanleitung des Patientenhebetuchs.

Reinigung und Desinfektion der Hubvorrichtung

Zur Vermeidung von Kreuzinfektionen muss die Hubvorrichtung nach jeder Verwendung gereinigt und desinfiziert werden.

Reinigen Sie die Hubvorrichtung dazu lediglich mit einem weichen Tuch sowie etwas Wasser und einer kleinen Menge eines milden Reinigungsmittels. Verwenden Sie keine Scheuermittel.

Verwenden Sie zur Reinigung der Hubvorrichtung weder saure oder alkalische Flüssigkeiten noch Lösungsmittel. Trocknen Sie die Hubvorrichtung nach der Reinigung vorsichtig ab.

Wird die Hubvorrichtung nicht wie hier angegeben gereinigt, können Motor, Steuereinheit sowie Montageteile Schaden nehmen.

Die Hubvorrichtung ist mit einem feuchten, gut ausgewrungenen Tuch sowie herkömmlichen Haushaltsdesinfektionsmitteln abzuwischen. Verwenden Sie ausschließlich Desinfektionsmittel, die von der jeweiligen Einrichtung zugelassen sind.

8.3 Wiederverwendung

Dieses Produkt ist für den wiederholten Gebrauch bestimmt. Die maximale Anzahl an Wiederholungen ist vom Zustand des Produkts abhängig.

Zur Vermeidung von Infektionen müssen Hubvorrichtung und Hebetücher nach jeder Verwendung gereinigt werden. Lesen Sie vor der Wiederverwendung *8.2 Reinigung von Hebetuch und Hubvorrichtung, Seite 87*.

8.4 Suche nach Abnutzung und Schäden

Es ist wichtig, dass alle unter Belastung stehenden Teile, wie z. B. Hebetücher, Hubarm und Drehgelenke, auf Anzeichen von Rissen, Ausfransungen, Verformung oder Abrieb überprüft werden. Tauschen Sie alle defekten Teile **UNVERZÜGLICH** aus und stellen Sie sicher, dass die Hubvorrichtung nicht verwendet wird, bis die Reparaturen daran erfolgt sind.

8.5 Schmierien der Hubvorrichtung

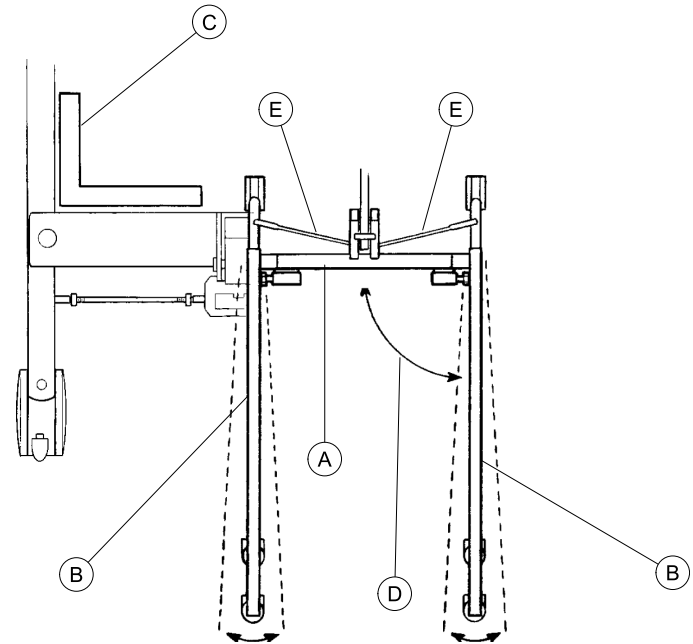
Die Invacare-Hubvorrichtung ist sehr wartungsarm. Trotzdem sollte sie alle sechs Monate überprüft und geschmiert

werden, damit ihre Sicherheit und Zuverlässigkeit weiterhin gegeben ist.

Achten Sie darauf, dass Hubvorrichtung und Hebetücher stets in einwandfreiem Zustand und einsatzbereit sind. Jeder Defekt muss dokumentiert und Ihrem Händler schnellstmöglich gemeldet werden.

Die Rollen MÜSSEN reibungslos schwenken und rollen. Die Kugellager der Rollen können einmal pro Jahr mit einem leichten Öl (wasserfestes Schmiermittel) geschmiert werden. Führen Sie diesen Vorgang häufiger durch, wenn die Rollen extremer Feuchtigkeit ausgesetzt sind.

8.6 Einstellen der Basis



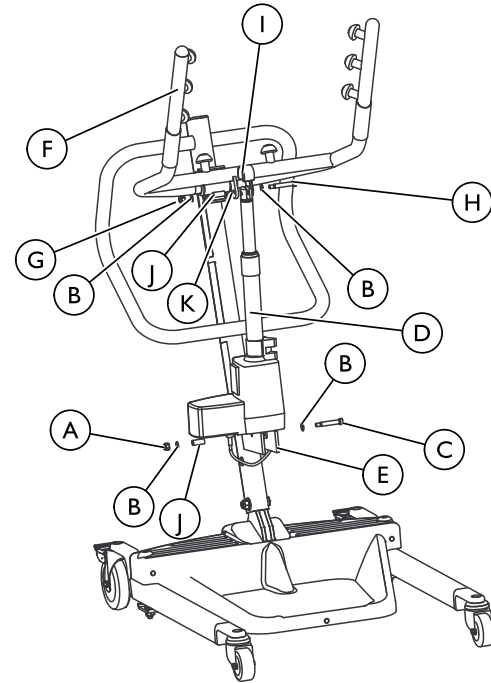
Die Basisanpassung **A** sollte nicht verlangen, andere als die Anpassung die Verbindungsstangen Aufmerksamkeit.

- ! Schäden an der Lift Kann auftreten.
 - Der Fußschiene sind in der vollständig geschlossenen Position vor dem Einstellen der Verbindungsstangen sein.

1. Schließen Sie der Fußschienen den ganzen Weg. Siehe *4.2.1 Zusammenklappen und Öffnen der Fußschienen, Seite 61*.
2. Überprüfen Sie die Rechtwinkligkeit der Fußschienen **ⓑ** in der zusammengeklappten Position.
3. Legen Sie einen rechten Winkel **ⓒ** an die Innenseite der Fußschienen und der Basis an, um die 90°-Ausrichtung **ⓓ** zu überprüfen.
4. Stellen Sie die Verbindungsstangen **ⓔ** so ein, dass die 90°-Ausrichtung erreicht wird.

- !** Schäden an der Lift Kann auftreten.
- NICHT passen Sie die Verbindungsstangen so der Fußschienen sind bei weniger als 90 ° Ausrichtung.

8.7 Austausch des elektrischen Verstellmotors



| | |
|-------------------------------------|-----------------------|
| Ⓐ Untere Mutter | Ⓖ Obere Mutter |
| Ⓑ Unterlegscheibe | Ⓗ Schraube |
| ⓒ Ansatzschraube | Ⓘ Halterung |
| ⓓ Elektrischer Verstellmotor | ⓙ Hülse |

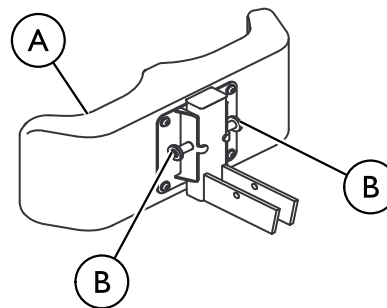
| | |
|------------------------------|---------------------------------|
| Ⓔ Montagehalterung des Masts | Ⓚ Montagehalterung des Hebearms |
| Ⓕ Hebearm | |

**WARNUNG!**

– Schrauben und andere Montageverbindungen NICHT ZU FEST anziehen. Die Befestigungen könnten dadurch beschädigt werden.

1. Entfernen Sie die untere Mutter, die Unterlegscheibe und die Ansatzschraube, mit der der elektrische Verstellmotor an der Montagehalterung des Masten befestigt ist.
2. Lehnen Sie den Hebelarm gegen Ihre Schulter und entfernen Sie die obere Mutter und Schraube sowie die Halterung und Hülse von der Montagehalterung des Hebelarms.
3. Entfernen Sie den elektrischen Verstellmotor.
4. Führen Sie die SCHRITTE 1 bis 3 in umgekehrter Reihenfolge aus, um den neuen elektrischen Verstellmotor zu montieren.


8.8 Einstellen der Kniepolster-Höhe



| | |
|---------------|---------------------|
| Ⓐ Kniepolster | Ⓑ Einstellungsstift |
|---------------|---------------------|

**WARNUNG!**

– Das Kniepolster NIEMALS einstellen, wenn sich der Patient in der Standposition befindet.
 – Das Kniepolster NIEMALS einstellen, wenn der Lift bewegt wird.
 – IMMER sicherstellen, dass die Einstellungsstifte in den entsprechenden Einstellungsöffnungen fest eingrastet sind.

1. Wählen Sie eine Höheneinstellung, die für den Patienten angenehm ist und die erforderliche Abstützung bietet.
 -  Das Kniepolster sollte so positioniert werden, dass die Knie des Patienten auf dem Kniepolster aufliegen.
2. Ziehen Sie mit beiden Händen die Einstellungsstifte gleichzeitig nach außen.

3. Stellen Sie das Kniepolster auf die gewünschte Höhe ein und lassen Sie die Einstellungsstifte in die entsprechenden Löcher einrasten.
4. Überprüfen Sie, dass beide Stifte fest eingerastet sind.

9 Technische Daten

9.1 Aufstehlift RSP350-1E und RPS350-1FR

| | |
|--|------------------------------|
| Höhe (Gurt) – Maximale Höhe | 168 cm |
| Höhe (Gurt) – Minimale Höhe | 102 cm |
| Breite der Basis (offen) | 94 cm |
| Breite der Basis (zusammengeklappt) | 66 cm |
| Höhe der Basis (Zwischenraum) | 11,5 cm |
| Länge der Basis | 90 cm |
| Gesamthöhe | 125 cm |
| Gesamtlänge | 99 cm |
| Gesamtbreite | 65,5 cm |
| Rollengröße (VORNE/HINTEN) | 8 cm / 13 cm |
| Gurtoptionen | Stehhilfe oder Umlagerung |
| Gurtmaterial | Polyester |
| Zulässiges Maximalgewicht (Patient + Hebetuch + Hubarme) | 159 kg (25 stone) |
| Maximal zulässiges Patientengewicht | 159 kg (25 stone) |
| Gesamtgewicht (ohne Verpackung) | 49 kg (8 stone) |
| Batterie (Ausgangsspannung) | 24V DC mb max. 240VA (RCHBL) |
| Ladegeräteingangsspannung | 100-240V AC ~ 50/60 Hz |

| | |
|---|---|
| Ladegeräteausgangsspannung/ Ladedauer | 29,5V DC 2,9 Ah Max. 6 Stunden |
| Alarmton/Warnlampe bei schwacher Batterie | Ja |
| Motorsicherheitseinrichtungen | Schutzvorrichtung gegen Einklemmen |
| *Ca. Hubvorgänge pro Aufladung (Betriebsbereitschaft) | *100-200 Zyklen pro Aufladung |
| Max. Eingangsstrom | Max. 400 mA |
| Betriebstemperatur | 5° bis 40° C |
| Luftfeuchtigkeit | 20% bis 90% bei 30° nicht kondensierend |
| Schalldruck | < 50 dB |
| Luftdruck | 700 bis 1060 hPa |
| Lagertemperatur | über 0° C |
| Luftfeuchtigkeit für Lagerung | unter 60% |
| Luftdruck für Lagerung | 700 hPa bis 1060 hPa |
| Schutzgrad, Steuereinheit | IPX4 |
| Schutzgrad, Handsteuerung | IPX4 |
| Schutzgrad, Motor | IPX4 |
| Isolationsklasse | Gerät der Klasse II, Anwendungsteil Typ B |
| Betriebspausen | 10%, max. 2 Minuten/18 Minuten |
| Batteriekapazität | 2,9 Ah |
| Manuelle Notabsenkung | Ja |

| | |
|--------------------------------------|--|
| Elektrisches Heben/Senken im Notfall | Ja/Ja |
| Erwartete Lebensdauer | 8 Jahre |
| Hubgeschwindigkeit | Die Aufstehlifter-Hubvorrichtung erfüllt die ENISO10535-Vorschriften für "Hub- und Senkgeschwindigkeit" (<0,15 m/s unter maximaler Last und <0,25 m/s ohne Last) |

 * Variiert je nach Last und Bewegung.

Contenido

Este manual DEBE ser entregado al usuario final. ANTES de usar este producto lea este manual y guárdelo para futuras referencias.

| | |
|--|------------|
| 1 Generalidades | 96 |
| 1.1 Símbolos | 96 |
| 1.2 Uso previsto | 97 |
| 1.2.1 Contraindicaciones | 97 |
| 1.3 Componentes incluidos | 98 |
| 1.4 Vida útil | 99 |
| 1.5 Información sobre la garantía | 99 |
| 2 Seguridad | 100 |
| 2.1 Directrices generales | 100 |
| 2.2 Información sobre el funcionamiento | 100 |
| 2.2.1 Generalidades | 101 |
| 2.2.2 Posición | 102 |
| 2.2.3 Eliminación | 102 |
| 2.3 Interferencias de radiofrecuencia | 103 |
| 2.4 Etiqueta del producto | 104 |
| 3 Instalación | 105 |
| 3.1 Montaje seguro | 105 |
| 3.2 Montaje del mástil a la base | 106 |
| 3.3 Preparación de la grúa para su utilización | 106 |
| 3.4 Instalación de la palanca de apertura | 107 |
| 3.5 Instalación del cargador de pared de las baterías | 107 |
| 4 Utilización | 109 |
| 4.1 Introducción | 109 |
| 4.2 Apertura y cierre de las patas | 109 |
| 4.2.1 Apertura y cierre de las patas manual | 109 |
| 4.3 Bloqueo/desbloqueo de las ruedas traseras | 110 |
| 4.4 Subida/descenso de la grúa | 110 |
| 4.4.1 Subida/descenso de un elevador eléctrico | 110 |
| 4.5 Activación de un mecanismo de liberación de emergencia | 111 |

| | |
|---|------------|
| 4.5.1 Mecanismo de liberación principal en caso de emergencia | 111 |
| 4.5.2 Mecanismo de liberación auxiliar en caso de emergencia | 112 |
| 4.6 Realización de una parada de emergencia | 112 |
| 4.7 Carga de la batería | 113 |
| 4.7.1 Indicador de la batería | 113 |
| 4.7.2 Utilización de un cable de alimentación para cargar la batería | 115 |
| 4.7.3 Utilización del cargador para cargar la batería | 116 |
| 5 Elevación del paciente | 117 |
| 5.1 Elevación segura | 117 |
| 5.2 Preparación para levantar al paciente | 119 |
| 5.3 Elevación del paciente | 120 |
| 5.4 Movimiento del paciente | 122 |
| 6 Traslado del Paciente | 123 |
| 6.1 Traslado seguro | 123 |
| 6.2 Traslado a una silla inodora | 124 |
| 6.3 Traslado a una silla de ruedas | 125 |
| 6.4 Traslado a una cama | 126 |
| 7 Solución de problemas | 127 |
| 7.1 Tabla de solución de problemas | 127 |
| 8 Mantenimiento | 129 |
| 8.1 Lista de verificación de la inspección de seguridad | 129 |
| 8.2 Limpieza de la eslinga y de la grúa | 130 |
| 8.3 Reutilización | 131 |
| 8.4 Detección de desgaste y daños | 131 |
| 8.5 Lubricación de la grúa | 131 |
| 8.6 Ajuste de la base | 132 |
| 8.7 Reemplazo del pistón eléctrico | 133 |
| 8.8 Ajuste de la altura de la rodillera | 133 |
| 9 Datos Técnicos | 135 |
| 9.1 Elevador de paciente con soporte para ponerse de pie RSP350-1E y RPS350-1FR | 135 |

1 Generalidades

1.1 Símbolos

En este manual se utilizan símbolos que hacen referencia a peligros o usos poco seguros que pueden provocar lesiones o daños a la propiedad. A continuación, se muestran las descripciones de estos símbolos.



¡ADVERTENCIA!

– Indica una situación potencialmente peligrosa que, si no se evita, puede tener como consecuencia la muerte o lesiones graves.



¡PRECAUCIÓN!

– Indica una situación potencialmente peligrosa que, si no se evita, puede tener como consecuencia daños a la propiedad o lesiones leves, o bien ambas cosas.



¡IMPORTANTE

– Indica una situación peligrosa que, si no se evita, puede tener como consecuencia daños en la propiedad.



Proporciona consejos útiles, recomendaciones e información para un uso eficiente y sin problemas.



Fecha de fabricación.



Este producto cumple con la Directiva 93/42/EEC en lo concerniente a dispositivos médicos.

La fecha de lanzamiento de este producto figura en la declaración de conformidad CE.

Lea el manual



Tono audible cuando la batería está baja. Consulte 4.7 *Carga de la batería, página 113*



Bloqueo de ruedas



Abra/cierre las patas



Eleve/baje el brazo



Parada de emergencia



Carga de utilización segura



Aislamiento doble, equipo de clase II



Pieza aplicada de Tipo B



Recicle este producto. Consulte 2.2.3
Eliminación, página 102

1.2 Uso previsto



¡ADVERTENCIA! **Riesgo de caída**

La grúa de elevación de Invacare NO está diseñada como un dispositivo de transporte. Su finalidad es trasladar al paciente de una superficie de descanso a otra (por ejemplo, de una cama a una silla de ruedas).

Las eslingas y los accesorios para grúas de Invacare han sido diseñados específicamente para utilizarse con grúas de elevación de Invacare.

Para evitar lesiones o caídas:

- Los pacientes que se van a trasladar y colocar con ayuda del elevador con soporte para ponerse de pie DEBEN ser capaces de colaborar, responder de forma coherente y controlar la cabeza y el cuello. De lo contrario, podrían producirse lesiones.
- Los pacientes que se van a trasladar y colocar utilizando la eslinga con soporte para ponerse de pie DEBEN ser capaces de soportar la mayor parte de su propio peso. De lo contrario, podrían producirse daños o lesiones. Para obtener más información, consulte el manual del usuario de la eslinga.

Las grúas de elevación son dispositivos de traslado alimentados por baterías, diseñados para utilizarse en las situaciones de elevación más habituales, por ejemplo:

- Entre la cama y una silla de ruedas
- Hacia y desde el inodoro

La grúa de elevación solo está diseñada para elevar pacientes que no superen la limitación de peso máxima que se indica en los datos técnicos.

Es importante seleccionar las eslingas y los accesorios adecuados para cada persona con el fin de mantener la seguridad durante el uso de una grúa de elevación. Consulte los manuales del usuario de las eslingas y los accesorios de Invacare para obtener más información acerca de estos dispositivos.

Invacare recomienda trasladar al paciente a una silla de ducha u otro medio para el baño.

La grúa de elevación puede girarse (rotarse) en su posición para los traslados en los que el espacio sea limitado.

1.2.1 Contraindicaciones

El elevador con soporte para ponerse de pie está contraindicado en pacientes que:

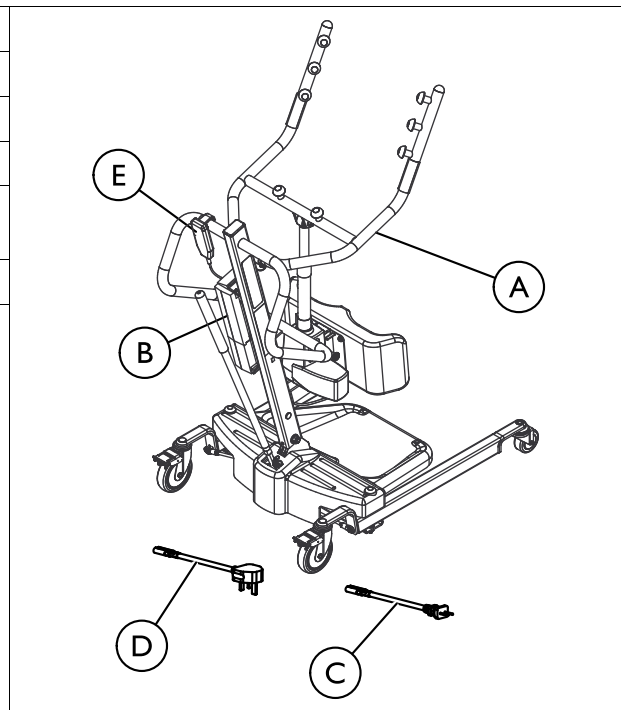
- no colaboran
- no son coherentes
- no controlan la cabeza y el cuello

Algunas eslingas diseñadas para grúas de bipedestación para ponerse de pie están contraindicadas para su uso con pacientes que no pueden soportar la mayoría de su propio peso. Para obtener más información, consulte el manual del usuario de la eslinga.

1.3 Componentes incluidos

Los elementos que se enumeran en las tablas se incluyen en el paquete. Las eslingas y las barras del pescante se venden por separado. En función de su modelo, es posible que el cargador de pared se venda por separado.

| Elemento | Descripción | Cantidad |
|----------|---|----------|
| A | Elevador | 1 |
| B | Batería | 1 |
| C | Cable de carga, UE | 1 |
| D | Cable de carga, Reino Unido (solo RPS350-1E) | 1 |
| E | Control manual | 1 |
| F | Manual del usuario del elevador (no se muestra) | 1 |



1.4 Vida útil



¡ADVERTENCIA!

Riesgo de daños o lesiones

La falta de mantenimiento del producto puede provocar una pérdida de funcionalidad en el producto, lesiones o daños.

Un montaje incorrecto podría provocar daños o lesiones.

El uso de piezas incorrectas o inadecuadas, incluidas piezas de recambio (servicio), podría provocar lesiones o daños.

- El montaje y el mantenimiento solo DEBERÁ realizarlo personal cualificado.
- Es necesario realizar un mantenimiento periódico de las grúas de elevación y de los accesorios para garantizar su correcto funcionamiento.
- Para el montaje de esta grúa de elevación, utilice únicamente piezas Invacare. Las base, las patas, el mástil, el brazo o los brazos de elevación, la batería/caja de control o el conjunto de pistón y la percha se han fabricado de acuerdo con especificaciones que garantizan el correcto ensamblaje de todas las piezas para un funcionamiento seguro y funcional.
- Indique SIEMPRE el número de serie de la grúa para facilitar el pedido de las piezas de recambio correctas.
- NO apriete excesivamente los componentes de montaje. Podría dañar el soporte de montaje.

Riesgo de lesiones La grúa de elevación tiene una duración prevista de 8 años, siempre y cuando se utilice de conformidad con las instrucciones de seguridad y se respeten los intervalos de mantenimiento y las instrucciones de uso indicadas en el presente manual. La vida útil real del producto puede variar en función de la frecuencia y la intensidad del uso.

Vida útil del pistón

| Número de elevaciones por día | Vida útil del pistón (en años) |
|-------------------------------|--------------------------------|
| 1–2 | 10 |
| 3 | 9 |
| 4 | 6 |
| 5 | 5 |
| 6 | 4 |
| 7–9 | 3 |
| 10–13 | 2 |
| 14–27 | 1 |

1.5 Información sobre la garantía

Las condiciones de la garantía forman parte de las condiciones generales de cada país donde se vende este producto.

Se incluye información de contacto de su oficina local de Invacare en la contraportada de este manual.

2 Seguridad

2.1 Directrices generales



¡ADVERTENCIA!

– NO utilice este producto ni cualquier otro equipo opcional disponible sin antes haber leído y comprendido estas instrucciones y cualquier otro material informativo adicional, como manuales del usuario, manuales de servicio u hojas de instrucciones, proporcionados con este producto o equipo opcional. Si tiene alguna duda relacionada con las advertencias, precauciones o instrucciones, póngase en contacto con un profesional sanitario, su distribuidor o un técnico antes de intentar utilizar este equipo. De lo contrario, existe el riesgo de producirse lesiones o daños.

ADVERTENCIA SOBRE LOS ACCESORIOS

Los productos Invacare están específicamente diseñados y fabricados para usarse con los accesorios Invacare. Invacare no ha probado los accesorios diseñados por otros fabricantes y, por consiguiente, estos no están recomendados para su empleo con los productos Invacare. En determinadas circunstancias, se pueden utilizar las eslingas de otros fabricantes.

– Póngase en contacto con la oficina local de Invacare para obtener más información sobre los accesorios.



AVISO

– La información incluida en este documento está sujeta a cambios sin previo aviso.

Compruebe que todas las piezas le hayan sido entregadas en perfecto estado antes de usarlas. Si observa algún desperfecto, NO utilice el producto. Póngase en contacto con el representante o distribuidor de Invacare para obtener más instrucciones.

2.2 Información sobre el funcionamiento

En esta sección del manual se incluye información general de seguridad sobre el producto. Para obtener información específica, consulte la sección correspondiente del manual y los procedimientos que se recogen en ella. Por ejemplo, para obtener información de seguridad sobre el montaje de la grúa, consulte sección 3 *Instalación*, página 105

2.2.1 Generalidades



¡ADVERTENCIA! **Riesgo de caída**

NO intente ningún traslado sin contar con la aprobación del médico, la enfermera o el auxiliar a cargo del paciente. Lea detenidamente las instrucciones de este manual del usuario, vea cómo un equipo de expertos con la formación necesaria realiza los procedimientos de elevación y, a continuación, realice varias veces todo el proceso de elevación con la supervisión correspondiente y con una persona preparada que actúe como paciente.

- Utilice el sentido común. Se DEBE tener especial cuidado con las personas con discapacidades que no pueden colaborar mientras se las levanta.
- Utilice en todo momento la palanca de dirección del mástil para empujar el elevador del paciente o tirar de él.
- No olvide comprobar las conexiones de la eslinga cada vez que esta se quite o se ponga para garantizar que está convenientemente ajustada antes de trasladar al paciente desde la silla, la cama o el inodoro.



¡ADVERTENCIA! **Riesgo de daños o lesiones**

La grúa podrá utilizarse tanto en interiores como en exteriores. Algunas superficies pueden hacer que el elevador pierda su estabilidad y, por lo tanto, se produzcan lesiones o daños.

El elevador puede utilizarse en la zona de la ducha o baño, aunque un exceso de humedad causará daños en el elevador y podría provocar lesiones.

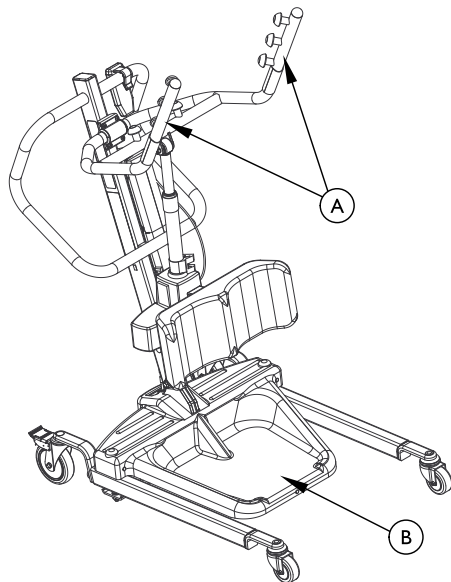
- Evite utilizar la eslinga en superficies inclinadas. Invacare recomienda que el elevador solo se utilice en superficies planas.
- NO haga rodar la superficie de las ruedas sobre superficies irregulares que puedan hacer que el elevador vuelque.
- NO utilice el elevador de paciente en la ducha o en el baño, ni en cualquier ambiente de humedad prolongada.
- Asegúrese de secar cualquier resto de humedad del elevador después de utilizarlo.
- NO guarde el elevador mojado ni en un sitio húmedo. Consulte los intervalos de temperatura de almacenamiento, humedad y presión que se indican en *7.1 Tabla de solución de problemas, página 127*.
- Inspeccione periódicamente todos los componentes de los elevadores en busca de señales de corrosión. Sustituya todas las piezas que estén corroídas o deterioradas.

2.2.2 Posición



¡ADVERTENCIA! Riesgo de lesiones

- SIEMPRE esté consciente de los brazos de la grúa. El paciente y/o asistente podrían sufrir lesiones.
- SIEMPRE esté consciente del reposapiés, especialmente la posición del paciente en dicha área. El paciente y/o asistente podrían sufrir lesiones.



Ⓐ = Brazo de elevación

Ⓑ = Reposapiés

2.2.3 Eliminación



¡ADVERTENCIA! Riesgo medioambiental

Este producto ha sido suministrado por un fabricante respetuoso con el medio ambiente que cumple lo dispuesto por la directiva Residuos de Aparatos Eléctricos y Electrónicos (RAEE) 2012/19/EU.

El dispositivo tiene baterías de ácido-plomo. Este producto puede contener sustancias que podrían ser perjudiciales para el medio ambiente si se desecha en lugares (vertederos) que no sean los idóneos según la legislación.

- NO tire las baterías con la basura doméstica. DEBEN llevarse a un punto limpio adecuado. Póngase en contacto con la empresa de gestión de residuos local para obtener información.
- Proteja el medio ambiente y recicle este producto a través de la planta de reciclaje más próxima cuando llegue al final de su vida útil.

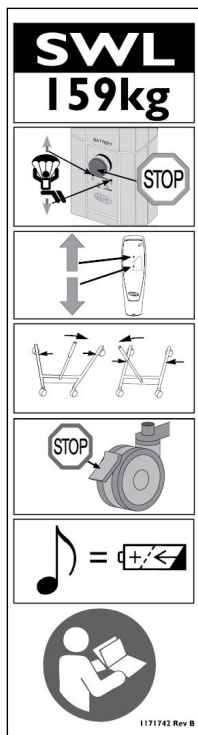
2.3 Interferencias de radiofrecuencia



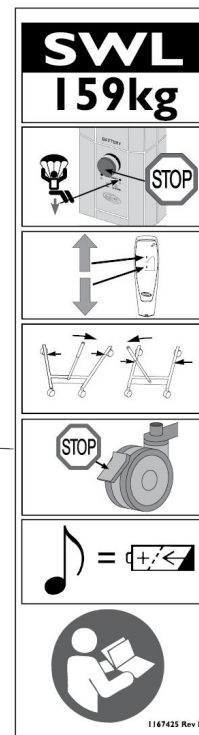
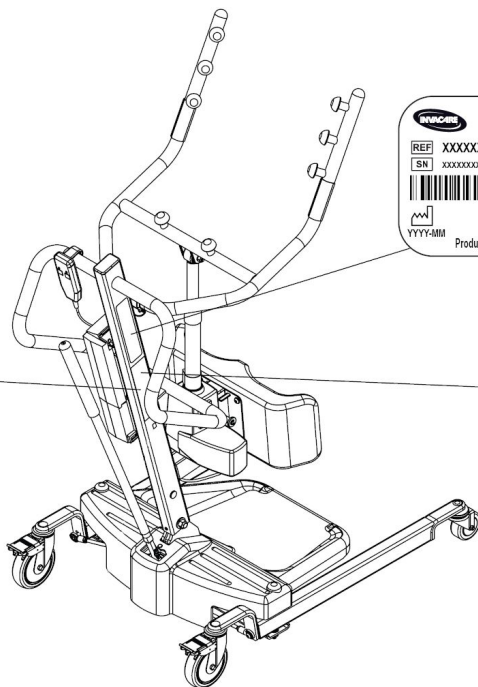
¡ADVERTENCIA!

– La mayoría de los equipos electrónicos sufre los efectos de las interferencias de radiofrecuencia (RFI). Proceda con precaución a la hora de utilizar equipo de comunicaciones portátil en el área que rodea dichos equipos. Si la RFI provoca un comportamiento irregular, **PRESIONE INMEDIATAMENTE** el interruptor de alimentación rojo para apagar el dispositivo. **NO** presione el botón de alimentación para encenderlo mientras la transmisión esté en curso.

2.4 Etiqueta del producto



RPS350-IFR



RPS350-IE

3 Instalación

3.1 Montaje seguro



¡ADVERTENCIA!
Riesgo de lesiones

Un montaje incorrecto puede provocar lesiones o daños.

- El montaje solo DEBE realizarlo personal cualificado.
- Para el montaje de este elevador de pacientes, utilice únicamente piezas Invacare. Los componentes del elevador se fabrican según las especificaciones que garantizan una correcta alineación de todas las piezas para un funcionamiento seguro.
- NO apriete excesivamente los componentes de montaje. Podría dañar el soporte de montaje.



No se necesitan herramientas para montar el elevador de pacientes.

Si tiene algún problema o preguntas durante el montaje, póngase en contacto con un representante local de Invacare. Consulte la información de contacto en la parte posterior de este manual.

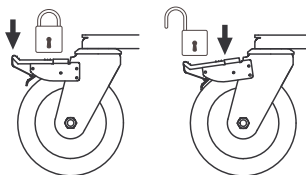
3.2 Montaje del mástil a la base



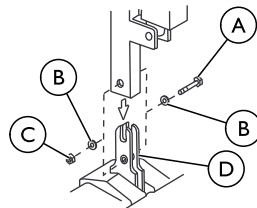
¡ADVERTENCIA!

– Utilice sólo partes Invacare para el montaje de esta grúa. Las patas de la base, el mástil, brazo, conjunto de la bomba y barra giratoria se han fabricado según especificaciones que garantizan la alineación correcta de todas las partes para una operación segura y adecuada.

DETALLE A



DETALLE B



1. Coloque la base en el piso.



Cerciórese de que las cuatro ruedas tengan contacto con el piso.

2. Bloquee las dos ruedas traseras. Consulte el Detalle "A".
3. Retire el perno hexagonal, arandelas y tuerca situados en el calado con forma de U de la base.
4. Coloque el mástil en posición vertical.
5. Baje el mástil hacia el soporte de montaje.
6. Instale el mástil en la base mediante el perno hexagonal, arandelas y tuerca. Apriete firmemente los componentes.

3.3 Preparación de la grúa para su utilización

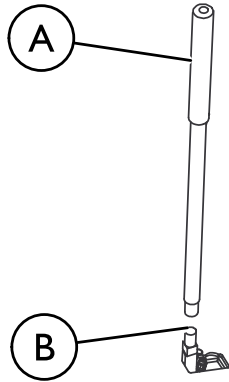
Revise y apriete todos los anclajes ANTES de usar la unidad.

| | |
|-------------------|----------------------|
| Ⓐ Perno hexagonal | Ⓒ Tuerca |
| Ⓑ Arandela | Ⓓ Soporte de montaje |



Es posible retirar el mástil de la base para fines de almacenamiento o transporte. El mástil DEBE afianzarse debidamente a la base antes de usar la unidad.

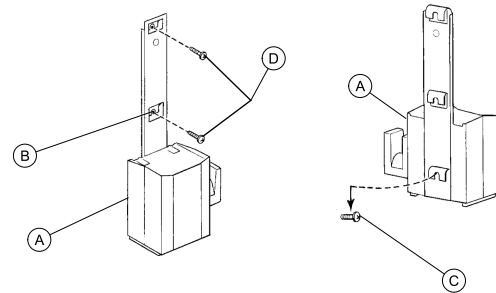
3.4 Instalación de la palanca de apertura



| | |
|------------------------------|-------------------------------------|
| <p>Ⓐ Palanca de apertura</p> | <p>Ⓑ Adaptador macho en la base</p> |
|------------------------------|-------------------------------------|

1. Saque la palanca de apertura de su embalaje.
2. Alinee la rosca de la palanca de apertura con el adaptador macho de la base.


3.5 Instalación del cargador de pared de las baterías



Consulte las normativas locales relativas a los procedimientos correctos de montaje.

Este procedimiento solo se aplica al RPS350-1E.

1. Coloque el soporte de montaje del cargador Ⓐ en la pared, en la posición deseada.
2. Marque con un lápiz la posición del orificio central Ⓑ .
3. Mida 6½ pulgadas (16,5 cm) hacia abajo a partir de la marca y taladre un orificio.
4. Coloque el tornillo de montaje inferior Ⓒ de forma que haya una distancia aproximada de 1/8-inch 3 mm entre la cabeza del tornillo y la pared.
5. Coloque el soporte de montaje del cargador sobre el tornillo de montaje inferior.
6. Taladre los otros dos orificios de montaje.

7. Atornille a la pared los dos tornillos de montaje  a través del soporte de montaje. Apriete convenientemente.
8. Enchufe el cargador a una toma de corriente eléctrica de pared.



El LED de encendido debería iluminarse.

4 Utilización

4.1 Introducción

El funcionamiento de la grúa es sencillo y seguro.



Antes de utilizarla con un paciente, consulte los siguientes procedimientos para obtener información de seguridad e instrucciones:

- 2.2 *Información sobre el funcionamiento, página 100*
- 5.3 *Elevación del paciente, página 120*

4.2 Apertura y cierre de las patas



¡ADVERTENCIA! **Riesgo de lesiones**

La grúa podría voltear y poner en peligro tanto al paciente como al cuidador.

- Las patas de la grúa deben estar totalmente abiertas para una óptima estabilidad y seguridad. Si es necesario cerrar las patas de la grúa para maniobrar bajo la cama, hágalo únicamente para colocar la grúa sobre la cama y levantar al paciente sobre la superficie de la cama. Cuando las patas de la grúa no estén ya bajo la cama, vuelva a abrirlas al máximo.

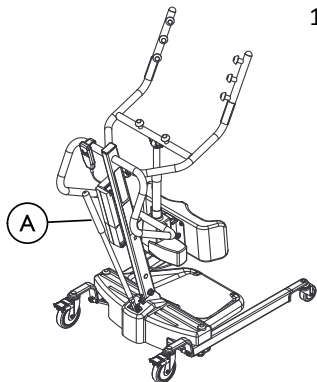
4.2.1 Apertura y cierre de las patas manual

La palanca de cambio se utiliza para abrir o cerrar las patas de la base con el fin de disfrutar de la máxima estabilidad al levantar al paciente.



Consulte la información de seguridad en *4.2 Apertura y cierre de las patas, página 109* antes de realizar este procedimiento.

Ⓐ = Palanca de apertura



1. Para cerrar las patas:
Tire de la palanca hacia AFUERA retirándola de la grúa y luego hacia la IZQUIERDA hasta que ENCAJE en el soporte.



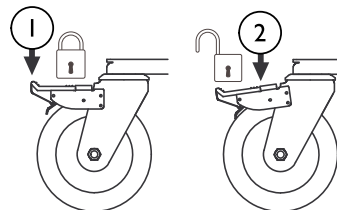
El lado izquierdo se determina ubicándose detrás de la grúa mirando las ruedas delanteras.

2. Para abrir las patas:
Tire de la palanca hacia AFUERA retirándola de la grúa y luego hacia la DERECHA hasta que ENCAJE en el soporte.



El lado derecho se determina ubicándose detrás de la grúa mirando las ruedas traseras.

4.3 Bloqueo/desbloqueo de las ruedas traseras



1. Pise aquí para bloquear.
2. Pise aquí para desbloquear.

4.4 Subida/descenso de la grúa



¡ADVERTENCIA! Riesgo de lesiones

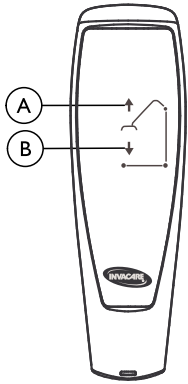
La grúa podría voltear y poner en peligro tanto al paciente como al cuidador.

- Invacare recomienda dejar las ruedas traseras sin freno durante el procedimiento de la transferencia para permitir que la grúa se estabilice al inicio de la elevación de una silla, cama o cualquier otra superficie estacionaria.

4.4.1 Subida/descenso de un elevador eléctrico



Consulte la información de seguridad en *Subida/descenso de la grúa* antes de realizar este procedimiento.



1. Para elevar el elevador — Mantenga pulsado el botón ARRIBA **A** para subir el brazo y levantar al paciente.
2. Para bajar el elevador — Mantenga pulsado el botón ABAJO **B** para bajar el brazo y el paciente.

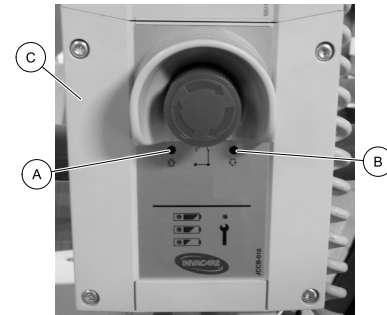


Suelte el botón para interrumpir el movimiento de subida o bajada del elevador.

4.5 Activación de un mecanismo de liberación de emergencia

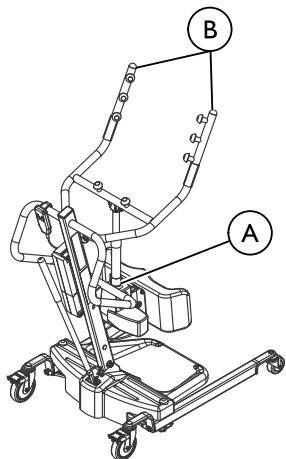
Hay dos tipos de mecanismo de liberación de emergencia: principal y secundario.

4.5.1 Mecanismo de liberación principal en caso de emergencia



1. Inserte un bolígrafo en el orificio marcado como Emergency Up (Subida de emergencia) **A** o Emergency Down (Baja de emergencia) **B** de la caja de control **C**.

4.5.2 Mecanismo de liberación auxiliar en caso de emergencia



Ⓐ Pieza ROJA del

Ⓑ Brazos de elevación

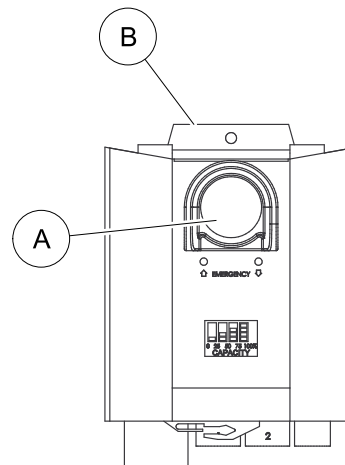


Se recomienda utilizar el mecanismo de liberación principal. El mecanismo auxiliar para liberación en caso de emergencia solo es un sustituto del principal.

En los casos en que el mecanismo principal no funcione o no se tenga a mano, se puede utilizar el secundario.

1. Tire hacia arriba del mando EMERGENCY Ⓐ y presione hacia abajo los brazos de elevación Ⓑ, al mismo tiempo.

4.6 Realización de una parada de emergencia



1. Presione el botón ROJO Ⓐ de la caja de control Ⓑ para interrumpir el movimiento de subida o bajada del brazo, y del paciente.
2. Para desactivar la parada de emergencia, gire el botón de emergencia hacia la derecha.

4.7 Carga de la batería



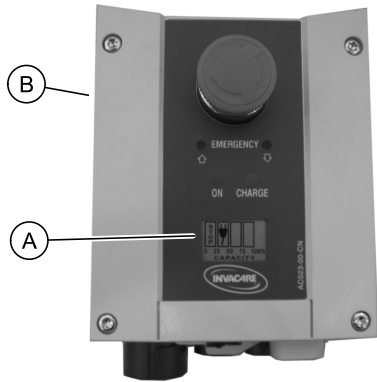
Invacare recomienda que la batería se recargue todos los días para prolongar su vida útil.

Puede utilizar dos métodos diferentes para cargar la batería. Un método utiliza un cable de alimentación que se conecta a la caja de control, mientras que el otro requiere que la batería se instale en el cargador. Siga el procedimiento adecuado para cargar la batería de la grúa de bipedestación.






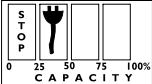
4.7.1 Indicador de la batería



Este procedimiento solo se aplica a los modelos RPS350-1FR.



El indicador de la batería **A** se encuentra en la caja de control **B**. Los LED indican el estado de la batería:

| Indicador de la batería del control manual  | Estado de la batería | Descripción |
|--|-----------------------|---|
|  | 100% Carga completada | El estado de la batería es correcto, no es necesario cargar (100%). |
|  | 75% Carga parcial | El estado de la batería es correcto, no es necesario cargar (75%). |
|  | 50% Carga parcial | La batería debe cargarse (50%). |
|  | 25% Carga baja | La batería debe cargarse (25%). Suena un pitido cuando se pulsa un botón. |
|  | 0% Carga baja | <p>La batería debe cargarse.</p> <p>Parte de la funcionalidad del elevador se ha perdido y solo se puede bajar el brazo.</p> <p>Cuando la batería esté baja, se escuchará una alarma (un pitido). Si suena una alarma audible durante un traslado, complete ese traslado y después cargue la batería.</p> |

4.7.2 Utilización de un cable de alimentación para cargar la batería




Este procedimiento solo se aplica a los modelos RPS350-1FR.

Ⓐ = Cable del cargador se conecta aquí

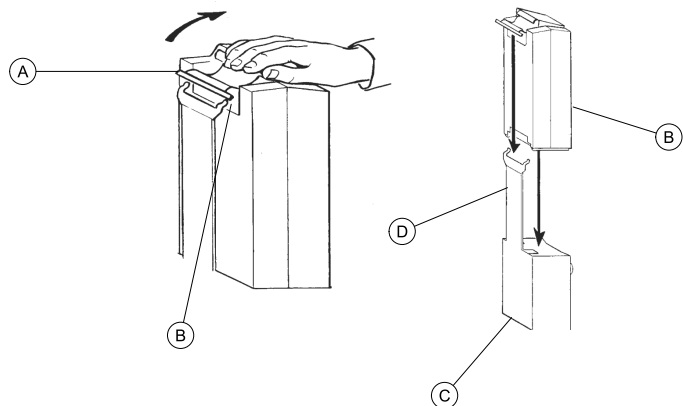



¡PRECAUCIÓN!

– La parada de emergencia NO DEBE estar activada o será imposible cargar las baterías. El elevador de paciente no debe usarse mientras la batería se está cargando. NO intente mover el elevador de paciente sin antes desenchufar el cable de alimentación de la toma de pared. NO intente utilizar el elevador de paciente si la carcasa de la batería está deteriorada. Sustituya la carcasa antes de utilizar el dispositivo de nuevo.

1. Conecte el cable de alimentación a la caja de control.
2. Enchufe el cable de alimentación en una toma eléctrica.
 -  La batería tardará unas 4 horas en cargarse. La carga debe realizarse en una habitación con buena ventilación.
3. Desconecte el cable de alimentación de la toma eléctrica cuando la batería se haya cargado por completo.

4.7.3 Utilización del cargador para cargar la batería



 Este procedimiento solo se aplica al RPS350-1E.

1. Levante el tirador **A** situado en la parte posterior de la batería **B**.
2. Levante la batería para sacarla de la caja de control **C**.



¡PRECAUCIÓN!

La colocación incorrecta de la batería puede causar daños o lesiones.
 – Asegúrese de que se oye un “clic” al colocar la batería en el cargador de baterías, lo que indicará que el montaje es correcto.

3. Coloque la batería en el cargador **D** como se muestra. Asegúrese de que se oye un “clic”.



Se encenderá el LED de carga. Cuando la carga finalice, el LED se apagará.
 La recarga completa de la batería tardará unas cuatro horas.

4. Levante el tirador situado en la parte posterior de la batería.
5. Levante la batería para sacarla del cargador.



¡PRECAUCIÓN!

La colocación incorrecta de la batería puede causar daños o lesiones.
 – Asegúrese de que se oye un “clic” al colocar la batería en la caja de control, lo que indicará que el montaje es correcto.

6. Vuelva a colocar la batería en la caja de control como se muestra. Asegúrese de que se oye un “clic”.



La batería se coloca en la caja de control y en el cargado como se muestra.

5 Elevación del paciente

5.1 Elevación segura



¡ADVERTENCIA!

- NO exceda el límite de peso máximo de 158 kg (SWL).
- NO realice ningún traslado de pacientes sin la aprobación del doctor, profesional de enfermería o asistente médico.
- SIEMPRE mantenga las manos y dedos lejos de las piezas móviles para evitar lesiones.
- Durante el traslado, con el paciente suspendido en la eslinga, NO deslice la base de la unidad por superficies irregulares que podrían desequilibrar la grúa.
- Siempre utilice los asideros del mástil para empujar o tirar de la grúa.



¡ADVERTENCIA!

Elevación del paciente

- Antes de posicionar las patas de la grúa cerca del paciente, cerciórese de que los pies del individuo estén fuera del trayecto del reposapiés, ya que de lo contrario podrían producirse lesiones.
- Realice los ajustes de seguridad y comodidad pertinentes antes de mover el paciente. Los brazos del individuo deben estar fuera de las tiras de las eslingas.



¡ADVERTENCIA!

Elevación del paciente

- Antes de levantar a un paciente desde un objeto estacionario (silla de ruedas, silla inodora o cama), elévelo levemente desde dicho objeto y compruebe que estén afianzados todos los accesorios de la eslinga. Si algún accesorio no está colocado correctamente, baje al paciente y corrija el problema, y luego vuelva a levantarlo y revisar que esté todo en orden.
- Durante el traslado, con el paciente suspendido en una eslinga conectada a la grúa, NO deslice la base con ruedas por superficies irregulares que podrían desequilibrar la grúa y provocar que vuelque. SIEMPRE utilice los asideros del mástil para empujar o tirar de la grúa de bipedestación.
- Invacare recomienda frenar las ruedas giratorias traseras ÚNICAMENTE al colocar o retirar la eslinga (de transferencia o traslado) al paciente.
- Invacare NO recomienda frenar las ruedas traseras de la grúa de bipedestación al alzar a una persona, ya que ello podría hacer que la grúa vuelque poniendo en riesgo al paciente y a sus cuidadores. Invacare SIEMPRE recomienda dejar desbloqueadas las ruedas traseras durante los procedimientos de incorporación para permitir que la grúa se estabilice por ella misma al elevar al paciente desde una silla, cama o cualquier otro objeto estacionario.



¡ADVERTENCIA!

Utilización de la eslinga

- Use la eslinga recomendada por el doctor, profesional de enfermería o asistente médico del paciente para la comodidad y seguridad del individuo que va a ser levantado.
- Los individuos que usan la eslinga de transferencia DEBEN ser capaces de soportar la mayor parte de su propio peso, de lo contrario se pueden producir lesiones.
- Las eslingas decoloradas, desgastadas, con cortes, deshilachadas o rotas son inseguras y podrían provocar lesiones o daños. Deseche INMEDIATAMENTE cualquier eslinga que no esté en buen estado.
- NO modifique las eslingas.
- Revise los accesorios de la eslinga cada vez que se retire y se coloque a fin de garantizar que está correctamente afianzada antes de retirar al paciente de un objeto estacionario (cama, silla o silla inodora).
- Si el paciente está en una silla de ruedas, accione sus frenos para prevenir que la silla se mueva hacia adelante o atrás.



¡ADVERTENCIA!

Eslingas de transferencia

- NO use la eslinga de transferencia en conjunto con la grúa de bipedestación como un dispositivo de transporte. La grúa está diseñada para trasladar un individuo desde una superficie de reposo a otra (por ejemplo desde una cama a una silla de ruedas).
- Antes de levantar al paciente, cerciórese de que el borde inferior de la eslinga de transferencia esté situado en la región lumbar del paciente y que los brazos del mismo estén fuera de dicha eslinga.
- La correa DEBE quedar ceñida, pero cómoda en el paciente, ya que de lo contrario puede resbalarse de la eslinga durante el traslado, provocando posibles lesiones.

Eslingas de traslado

- Antes de levantar al paciente, cerciórese de que el borde inferior de la eslinga de traslado esté en la base de la columna vertebral del paciente y que los brazos del mismo estén fuera de dicha eslinga.
- NO levante al paciente a una posición completamente de pie mientras utilice las eslingas de traslado, ya que podrían producirse lesiones.



Encontrará mayor información en el folleto de la eslinga para pacientes.

5.2 Preparación para levantar al paciente



Consulte la sección Seguridad de este manual y revise la información de *5.1 Elevación segura, página 11* antes de proceder; siga también todas las advertencias indicadas.

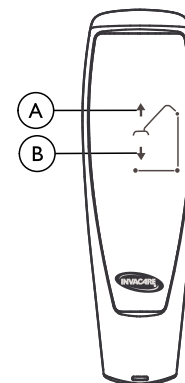
Antes de situar las patas de la grúa bajo la cama, asegúrese de que no haya obstáculos.



¡ADVERTENCIA! Riesgo de lesiones

La grúa podría voltear y poner en peligro tanto al paciente como al cuidador.

- Las patas de la grúa deben estar totalmente abiertas para una óptima estabilidad y seguridad. Si es necesario cerrar las patas de la grúa para maniobrar bajo la cama, hágalo únicamente para colocar la grúa sobre la cama y levantar al paciente sobre la superficie de la cama. Cuando las patas de la grúa no estén ya bajo la cama, vuelva a abrirlas al máximo.



Ⓐ Botón ASCENDENTE

Ⓑ Botón DESCENDENTE

1. Cerciérese de que las patas de la grúa están en su posición de apertura máxima. De no ser así, utilice la palanca de apertura para abrir las patas.
2. Posicione la grúa utilizando los asideros del mástil.
3. Pulse el botón DESCENDENTE del mando para bajar los brazos de la grúa a fin de colocar fácilmente la eslinga.

5.3 Elevación del paciente



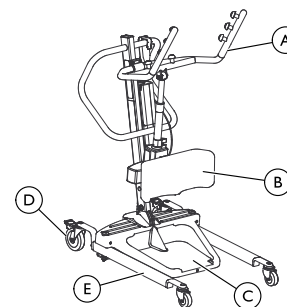
¡ADVERTENCIA!

- NO exceda el límite de peso máximo de 159 kg (SWL).
- Los individuos que usan la eslinga de transferencia DEBEN ser capaces de soportar la mayor parte de su propio peso, de lo contrario se pueden producir lesiones.
- NO frene las ruedas de la grúa de bipedestación cuando incorpore a una persona, ya que ello podría hacer que la grúa vuelque poniendo en riesgo al paciente y a sus cuidadores. Desbloquear las ruedas traseras durante los procedimientos de elevación permite que la grúa se estabilice al levantar inicialmente al paciente desde una silla de ruedas, cama o cualquier otro objeto estacionario.
- NO mueva el paciente si la eslinga no está debidamente afianzada a los puntos de conexión de la grúa.
- Cerciórese de que la eslinga esté debidamente afianzada ANTES de levantar al paciente. Si algún accesorio no está debidamente en su lugar, corrija el problema. Cuando la eslinga se alza unas cuantas pulgadas/centímetros respecto a la superficie estacionaria y antes de mover al paciente, vuelva a comprobar que estén en su lugar todos los accesorios de dicha eslinga. Si se detecta cualquier problema, vuelva a bajar nuevamente al paciente a la superficie estacionaria y corrija el problema, ya

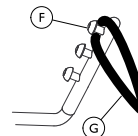
que de lo contrario se pueden producir daños o lesiones.

- Realice los ajustes de seguridad y comodidad pertinentes antes de mover al paciente.

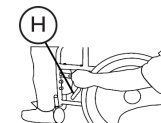
Detail A — GRÚA DE BIPEDESTACIÓN



Detail B — CONEXIÓN DE LA ESLINGA



Detail C — FRENO DE LA RUEDA



| | |
|-------------|-----------|
| Ⓐ Brazos | Ⓔ Pata |
| Ⓑ Rodillera | Ⓕ Ganchos |

| | |
|-----------------|---------------------|
| Ⓒ Reposapiés | Ⓒ Bucle de eslinga |
| Ⓓ Rueda trasera | Ⓗ Freno de la rueda |



En el manual del propietario encontrará mayor información sobre las eslingas para pacientes.

El paciente DEBE estar inicialmente en posición sentada. Utilice el plano superior de la cama para colocar al paciente en posición de incorporación y luego haga pasar sus piernas por encima del costado de la cama.

1. Indique al paciente que sujete los asideros de los dos lados de la grúa (Detalle "A").
2. Indique al paciente que se incline hacia atrás en la eslinga de transferencia o de traslado.



¡ADVERTENCIA!

- Eslingas de transferencia - Antes de levantar al paciente, cerciórese de que el borde inferior de la eslinga de transferencia esté situado en la región lumbar del paciente y que los brazos del mismo estén fuera de la eslinga.
- Eslingas de traslado - Antes de levantar al paciente, cerciórese de que el borde inferior de la eslinga de traslado esté en la base de la columna vertebral del paciente y que los brazos del mismo estén fuera de la eslinga.

3. Compruebe lo siguiente:

- a. Las rodillas del paciente estén bien aseguradas contra la rodillera.
- b. Los pies del paciente estén posicionados debidamente en el reposapiés.
- c. Las eslingas:
 - Eslingas de transferencia - el borde inferior de la eslinga de transferencia esté situado en la región lumbar del paciente.
 - Eslingas de traslado - el borde inferior de la eslinga de traslado esté en la base de la columna vertebral del paciente.
 - Cualquier estilo de eslinga - los brazos del paciente estén fuera de la eslinga.
 - Los bucles de la eslinga están perfectamente colocados en los ganchos de los brazos de elevación (Detalle B).
- d. Las ruedas traseras estén desbloqueadas.
- e. Las patas de la grúa estén en su posición de apertura máxima.



¡ADVERTENCIA!

- Si va a trasladar a un paciente desde una silla de ruedas, los frenos de las ruedas de la silla DEBEN estar activados antes de colocar al paciente en dicho dispositivo, ya que de lo contrario se pueden producir lesiones.

4. Si va a trasladar a un paciente desde una silla de ruedas, active los frenos de las ruedas de la silla (Detalle "B" de FIGURA 4.2).
5. Pulse el botón de flecha ASCENDENTE en el mando para levantar al paciente sobre la superficie (cama, silla de ruedas o silla inodora). La grúa es capaz de soportar completamente el peso del paciente (Detalle "C" de FIGURA 4.2).



El centro de gravedad inferior confiere estabilidad permitiendo que el paciente se sienta más seguro y que sea más fácil mover la grúa.

1. Compruebe que las patas de la grúa estén en su posición de apertura máxima. De no ser así, pulse el botón para abrir las patas en el mando a fin de moverlas a su posición de apertura máxima.
2. Mueva la grúa lejos de la superficie desde donde se levantó al paciente.
3. Mueva lentamente al paciente a la superficie deseada.

5.4 Movimiento del paciente



¡ADVERTENCIA!

- Las patas de la grúa de bipedestación DEBEN estar en su posición de apertura máxima para brindar estabilidad y seguridad óptimas. Si el paciente está en una eslinga y es preciso trasladarlo por un pasillo estrecho, cierre las patas de la grúa sólo lo necesario para que quepa por el pasillo. Una vez que la grúa salga del pasillo, regrese las patas a su posición de apertura máxima.
- Durante el traslado de un paciente suspendido en la eslinga, NO deslice la base con ruedas por superficies irregulares que podrían desequilibrar la grúa, ya que ello podría hacer que vuelque la unidad. Siempre use los asideros del mástil para empujar o tirar de la grúa.

6 Traslado del Paciente

6.1 Traslado seguro



¡ADVERTENCIA!

- NO exceda el límite de peso máximo de 159 kg (SWL).
- NO intente trasladar a ningún paciente sin la aprobación del doctor, profesional de enfermería o asistente médico. Póngase en contacto con la oficina local de Invacare para obtener más información.
- NO mueva el paciente si la eslinga no está debidamente afianzada a los puntos de conexión de la grúa. Compruebe que la eslinga esté afianzada correctamente a los puntos de conexión antes de levantar al paciente. Si algún accesorio no está debidamente en su lugar, corrija el problema. Cuando la eslinga se alza unas cuantas pulgadas/centímetros respecto a la superficie estacionaria y antes de mover al paciente, vuelva a comprobar que estén en su lugar todos los accesorios de dicha eslinga. Si algún accesorio no está debidamente en su lugar, vuelva a bajar al paciente a la superficie estacionaria y corrija el problema, ya que de lo contrario se pueden producir daños o lesiones.
- Realice los ajustes de seguridad y comodidad pertinentes antes de mover el paciente. Los brazos del paciente deberían estar fuera de las correas.

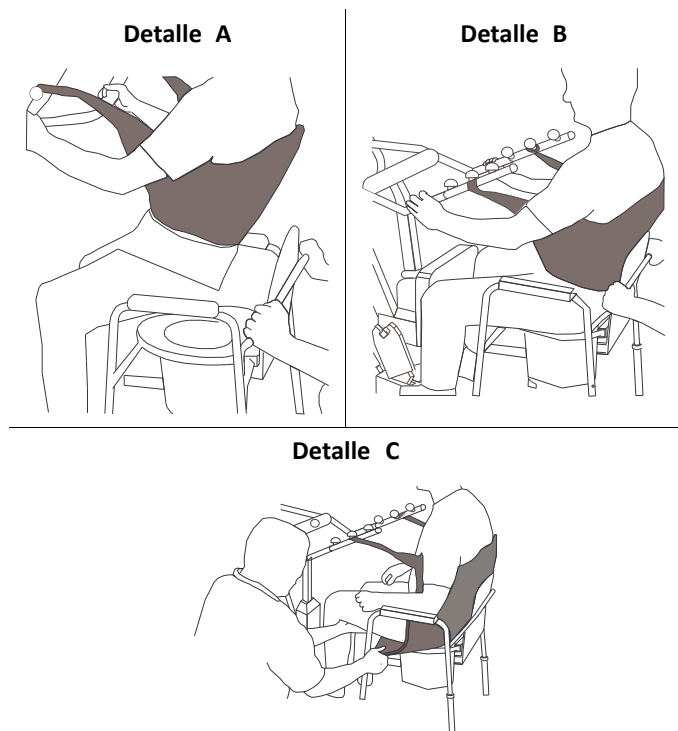


¡ADVERTENCIA!

- Use la eslinga recomendada por el doctor, profesional de enfermería o asistente médico del paciente para la comodidad y seguridad del individuo que va a ser levantado.
- NO frene las ruedas de la grúa de bipedestación cuando eleve a una persona. Ya que ello podría hacer que la grúa vuelque poniendo en riesgo al paciente y a sus cuidadores.
- Las patas de la grúa de bipedestación DEBEN estar en su posición de apertura máxima para brindar estabilidad y seguridad óptimas. Si el paciente está en una eslinga y es preciso trasladarlo por un pasillo estrecho, cierre las patas de la grúa sólo lo necesario para que quepa por el pasillo. Una vez que la grúa salga del pasillo, regrese las patas a su posición de apertura máxima. Si es preciso cerrar las patas de la grúa para maniobrarlo debajo de la cama, ciérrelas sólo lo necesario para situarlo sobre el paciente y levantar a éste último de la superficie de la cama. Una vez que las patas de la grúa hayan salido de debajo de la cama, regréselas a su posición de apertura máxima.
- Cerciórese de revisar los accesorios de la eslinga cada vez que ésta se retire y vuelva a colocar a fin de garantizar que esté debidamente afianzada antes de retirar al paciente de una superficie.

La utilización de un solo asistente se basa en la evaluación que realice el facultativo de cada caso en particular.

6.2 Traslado a una silla inodora



1. Levante al paciente del lado de la cama.
2. Pulse el botón ASCENDENTE en el mando para levantar al paciente lo suficiente como para quedar por encima de los brazos de la silla inodora. La grúa es capaz de soportar el peso del paciente.
3. Guíe al paciente hacia la silla inodora. Ello puede requerir la colaboración de dos asistentes.
4. Pulse el botón de flecha descendente para bajar al paciente hasta la silla inodora.
5. Frene las ruedas giratorias traseras de la grúa de bipedestación.
6. Siga uno de los siguientes procedimientos:
 - Eslinga de transferencia de los puntos - desenganche la eslinga de transferencia en los puntos de conexión de la grúa.
 - Eslinga de traslado -
 - a. Desenganche la eslinga de traslado de los puntos de conexión inferiores de la grúa.
 - b. Levante las piernas del paciente y retire los apoyos de muslos del individuo.
 - c. Si lo desea, desenganche la eslinga de traslado de los puntos de conexión superiores de la grúa.
- i El paciente puede permanecer en la porción superior de la eslinga de traslado mientras utilice la silla inodora.
7. Indique o ayude al paciente a levantar sus pies del reposapiés.
8. Retire la eslinga del paciente.
9. Desbloquee las ruedas traseras y aparte la grúa de la silla inodora.
10. Una vez que finalice, vuelva a revisar que todas las uniones de la eslinga estén en orden.

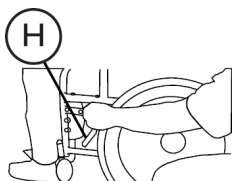


¡ADVERTENCIA!

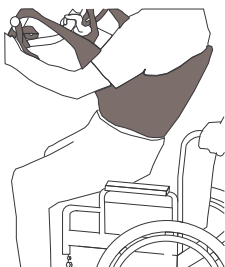
– Invacare recomienda frenar las ruedas giratorias traseras sólo al colocar o retirar la eslinga del paciente.

6.3 Traslado a una silla de ruedas

Detalle A





Detalle B



Detalle C



  = Freno de la rueda

1. Compruebe que las patas de la grúa con el paciente suspendido en la eslinga estén en su posición de apertura. Pulse el botón para abrir las patas hasta dejarlas en su posición de apertura máxima.
2. Coloque la silla de ruedas en el lugar adecuado.
3. Accione los frenos de las ruedas de la silla de ruedas para evitar su desplazamiento (Detalle "A").



¡ADVERTENCIA!

– NO coloque al paciente en la silla de ruedas sin antes activar los frenos. Antes de colocar al paciente en una silla de ruedas para transportarlo, los frenos de las ruedas de la silla DEBEN estar activados, ya que de lo contrario se pueden producir lesiones.

4. Posicione al paciente por encima de la silla de ruedas (Detalle "B").
5. Pulse el botón descendente para bajar al paciente a la silla de



¡ADVERTENCIA!

– Frene las ruedas giratorias traseras SÓLO al colocar o retirar la eslinga (de transferencia o traslado) del paciente, ya que de lo contrario se pueden producir lesiones.

6. Frene las ruedas giratorias traseras.
7. Desenganche la eslinga de todos los puntos de conexión de la grúa.

- Indique al paciente que levante sus pies del reposapiés. Ayúdelo si fuera necesario.
- Retire la eslinga del paciente.
- Desbloquee las ruedas traseras y aparte la grúa de la silla de

6.4 Traslado a una cama



El centro de gravedad inferior confiere estabilidad permitiendo que el paciente se sienta más seguro y que sea más fácil mover la grúa.

- Coloque al paciente lo más centrado posible en la cama.



Si va a trasladar al paciente desde una superficie que sea más baja que la cama, pulse el botón de flecha ascendente para levantar al individuo por sobre la superficie de la cama. Debe elevar al paciente sólo lo necesario para que no toque la cama y que su peso sea sostenido totalmente por la grúa.

- Pulse el botón de flecha descendente para bajar al paciente hasta la cama.



¡ADVERTENCIA!

– Invacare recomienda bloquear las ruedas giratorias traseras **SÓLO** al colocar o retirar la eslinga del paciente.

- Frene las ruedas giratorias traseras.
- Desenganche la eslinga de transferencia o traslado en todos los puntos de conexión de la grúa.

- Indique al paciente que levante sus pies del reposapiés.



Ayúdelo si fuera necesario.

- Retire la eslinga de transferencia o traslado del paciente.
- Desbloquee las ruedas traseras y aparte la grúa de la cama.

7 Solución de problemas

7.1 Tabla de solución de problemas

| SÍNTOMAS | ERRORES | SOLUCIÓN |
|---|--|--|
| Los engranajes suenan. | Necesitan lubricación. | Consulte 8.5 <i>Lubricación de la grúa</i> , <i>página 131</i> |
| El pistón eléctrico no sube cuando se pulsa el botón. | El conector del control manual o del accionamiento está suelto. | Conecte el control manual o del accionamiento. Asegúrese de que los conectores están bien encajados y conectados. |
| | Batería baja. | Cargue las baterías. Consulte 4.7 <i>Carga de la batería</i> , <i>página 113</i> |
| | El botón ROJO de parada de emergencia está presionado. | Gire el botón de parada de emergencia ROJO hacia la derecha hasta que deje de estar presionado. |
| | La batería no está correctamente conectada a la caja de control. | Vuelva a conectar la batería a la caja de control. Consulte 4.7 <i>Carga de la batería</i> , <i>página 113</i> |
| | Los terminales de conexión están dañados. | Sustituya las baterías. Consulte 4.7 <i>Carga de la batería</i> , <i>página 113</i> |
| | El pistón eléctrico necesita mantenimiento o la carga es demasiado alta. | Consulte 8.7 <i>Reemplazo del pistón eléctrico</i> , <i>página 133</i> Póngase en contacto con el distribuidor o representante de Invacare. |

| SÍNTOMAS | ERRORES | SOLUCIÓN |
|---|---|--|
| Ruido inusual en el pistón de la grúa. | El pistón está desgastado o dañado, o el eje está doblado. | Consulte <i>8.7 Reemplazo del pistón eléctrico, página 133</i> CPóngase en contacto con el distribuidor o representante de Invacare. |
| Los brazos de la grúa no descienden desde la posición más alta. | Los brazos de la grúa requieren una carga mínima de peso para bajar desde la posición más alta. | Presione con las manos levemente los brazos de la grúa. |
| Las patas no abren ni cierran debidamente. | Es posible que haya que ajustar la base. | Consulte <i>8.6 Ajuste de la base, página 132</i> |



Si no soluciona los problemas con los métodos sugeridos, comuníquese con su distribuidor o Invacare.

8 Mantenimiento

8.1 Lista de verificación de la inspección de seguridad



¡ADVERTENCIA!

- El mantenimiento solo DEBERÁ realizarlo personal cualificado.
- Si se sustituye alguna pieza, se debe recurrir a una persona con la debida competencia para que compruebe que la resistencia y la estabilidad del producto siguen siendo adecuadas para todas las actividades.
- NO ajuste excesivamente los anclajes de montaje, ya que ello dañará los soportes de montaje.



Siga los procedimientos de mantenimiento descritos en este manual para mantener la grúa en óptimas condiciones.

La grúa Invacare está diseñada para brindar máxima seguridad, eficacia y servicio satisfactorio con un cuidado y mantenimiento mínimos.

Si bien todas las partes de la grúa Invacare están fabricadas de acero de la mejor calidad, se producirá desgaste por el contacto de metal contra metal tras un uso considerable.

No es necesario realizar ajustes o mantenimiento a las ruedas, aparte de la limpieza, lubricación y revisar que los pernos giratorios y eje estén apretados. Elimine toda

suciedad de las ruedas y cojinetes. Si alguna parte está desgastada, reemplácela INMEDIATAMENTE.

Si tiene alguna inquietud sobre la seguridad de alguna de las partes de la grúa, comuníquese INMEDIATAMENTE con su distribuidor.

Se le debe dar mantenimiento regular a la grúa de bipedestación y los accesorios para garantizar un funcionamiento adecuado.

Después de los primeros 12 meses de operación, revise todos los puntos de giro y sujetadores en busca de desgaste. Si hay partes metálicas deterioradas, reemplácelas INMEDIATAMENTE. Posteriormente, realice esta inspección cada seis meses.

| | |
|--|------------|
| Fecha de inspección: | Iniciales: |
| BASE DE LAS RUEDAS <ul style="list-style-type: none"> <input type="checkbox"/> Compruebe que no faltan piezas. <input type="checkbox"/> La base se abre y se cierra con facilidad. <input type="checkbox"/> Inspeccione los tornillos del eje y las ruedas para comprobar que están bien apretados. <input type="checkbox"/> Compruebe que las ruedas giran y se deslizan con suavidad. <input type="checkbox"/> Retire la suciedad de las ruedas. <input type="checkbox"/> Inspeccione los puntos de giro para comprobar que no estén desgastados. | |
| ESLINGAS Y COMPONENTES <ul style="list-style-type: none"> <input type="checkbox"/> Compruebe todos los acoplamientos de la eslinga cada vez que se utilice para garantizar su correcta conexión y la seguridad del paciente. <input type="checkbox"/> Compruebe que el material de la eslinga no está desgastado. <input type="checkbox"/> Compruebe que las correas no están desgastadas. <input type="checkbox"/> Inspeccione las costuras. | |
| CONJUNTO DE PISTÓN ELÉCTRICO <ul style="list-style-type: none"> <input type="checkbox"/> Compruebe la posible presencia de fugas. <input type="checkbox"/> Inspeccione las piezas del mástil, el brazo y la base. <input type="checkbox"/> Compruebe si hay partes desgastadas o deterioradas. Si hay piezas deterioradas, devuelva el dispositivo a fábrica. <input type="checkbox"/> Encienda y apague el pistón eléctrico para asegurarse de que su funcionamiento es silencioso. | |

BRAZOS Y UNIONES DE LA GRÚA

- Revise todos los anclajes y puntos de conexión.
- Revise en busca de dobleces o torceduras.
- Revise si hay desgaste en las juntas apernadas de los brazos de la grúa.
- Revise que los brazos de la grúa estén centrados entre las patas de la base.
- Inspeccione los puntos de giro para comprobar que no estén desgastados.
- Compruebe que los enganches de la eslinga no estén desgastados ni desviados.

MÁSTIL

- El mástil debe estar montado de forma segura en el brazo.
- Compruebe que no esté desviado ni doblado.
- Inspeccione los puntos de giro para comprobar que no estén desgastados.

LIMPIEZA

- Siempre que sea necesario.

8.2 Limpieza de la eslinga y de la grúa



¡ADVERTENCIA!

– Tras CADA lavado (conforme a las instrucciones de limpieza de la eslinga), inspeccione que la eslinga no presente desgaste, rasgaduras o costuras sueltas. Deseche INMEDIATAMENTE cualquier eslinga que no esté en buen estado.

Limpeza de la eslinga

Debe lavar la eslinga regularmente en agua cuya temperatura no exceda 203°F (95°C), con un producto de limpieza biológico. Consulte las instrucciones de lavado en el manual del usuario de la eslinga.

Limpeza y desinfección del elevador

Para prevenir infección cruzada, la grúa debe limpiarse y desinfectarse después de cada uso.

Todo lo que necesita para limpiar la grúa de bipedestación es un paño suave, humedecido con agua y una pequeña cantidad de detergente suave. Es posible lavar la grúa con limpiadores no abrasivos.

Nunca utilice ácidos, alcalinos ni disolventes para limpiar el elevador. Seque cuidadosamente el elevador después de la limpieza.

Los motores, la unidad de control y otros componentes pueden sufrir daños si el elevador no se limpia de la forma establecida anteriormente.

El elevador debe limpiarse con un paño húmedo bien escurrido con desinfectantes domésticos comunes. Utilice únicamente detergentes desinfectantes aprobados por el centro.

8.3 Reutilización

El producto se puede reutilizar. El número máximo de veces que puede ser reutilizado depende del estado del producto. Para evitar la transmisión de infecciones, la grúa y las eslingas deben limpiarse después de cada uso. Antes

de reutilizar o reacondicionar la grúa, consulte *8.2 Limpieza de la eslinga y de la grúa, página 130*

8.4 Detección de desgaste y daños

Es importante inspeccionar todos los componentes clave, tales como eslingas, brazo de elevación y cualquier punto giratorio de las eslingas en busca de fisuras, deshilachamiento, deformación o deterioro. Reemplace INMEDIATAMENTE cualquier parte defectuosa y cerciórese de no utilizar la grúa sin antes efectuar las reparaciones.

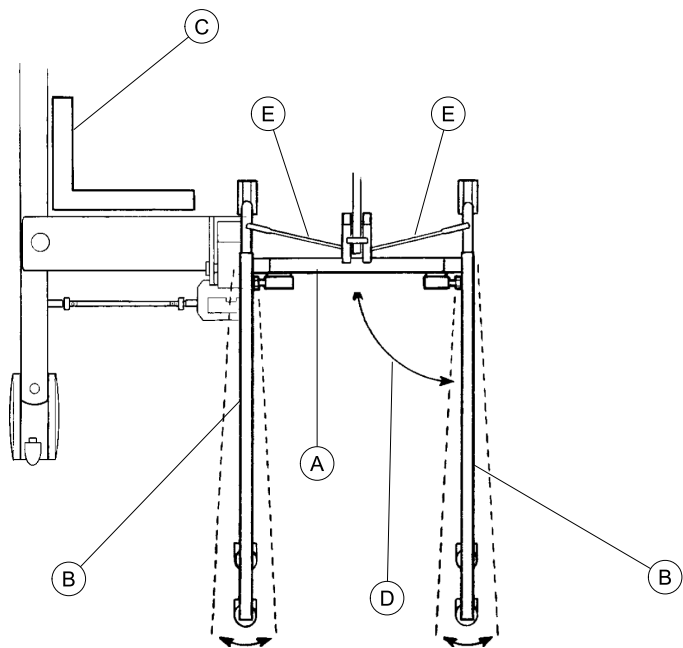
8.5 Lubricación de la grúa

Las ruedas DEBEN girar y rodar suavemente. Se puede aplicar grasa liviana (lubricante de automóvil impermeable) una vez al año a los cojinetes de las ruedas. Aplique de forma más frecuente si las ruedas están expuestas a condiciones extremas de humedad.

Mantenga las eslingas limpias y en buen estado. Debe indicar a su distribuidor cualquier defecto que detecte tan pronto como sea posible.

La grúa Invacare está diseñada para necesitar un mantenimiento mínimo. Sin embargo, la unidad debe inspeccionarse y lubricarse cada seis meses para garantizar un funcionamiento seguro y confiable prolongado.

8.6 Ajuste de la base



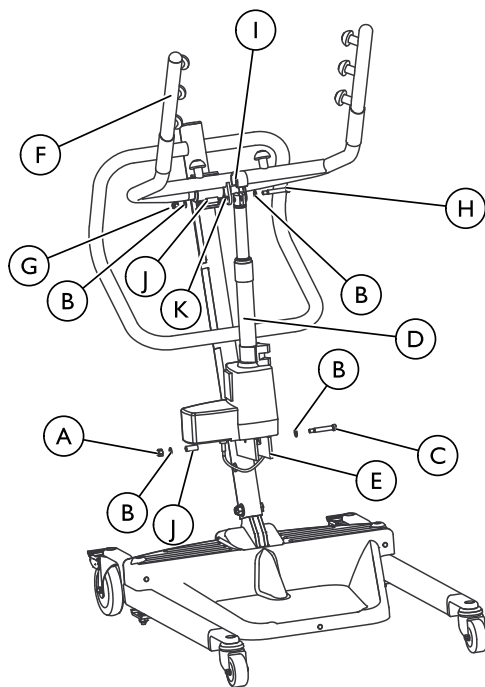
A la hora de ajustar la base (A) solo hay que prestar atención al ajuste de las varillas de acoplamiento.

- ! El elevador podría sufrir daños.
 - El accionamiento de las patas debe estar totalmente cerrado antes de ajustar las varillas de acoplamiento.

1. Cierre totalmente las patas. Consulte 4.2.1 *Apertura y cierre de las patas manual*, página 109
2. Compruebe que las patas están cuadradas (B) cuando están cerradas.
3. Coloque una escuadra (C) en el interior de las patas y la base para determinar la alineación de 90° (D).
4. Ajuste las varillas de acoplamiento (E) hasta obtener la alineación de 90°.

- ! El elevador podría sufrir daños.
 - NO ajuste las varillas de acoplamiento de forma que las patas tengan una alineación inferior a 90°.

8.7 Reemplazo del pistón eléctrico



| | |
|----------------------|---------------------|
| (A) Tuerca inferior | (G) Tuerca superior |
| (B) Arandela | (H) Perno |
| (C) Perno | (I) Soporte |
| (D) Pistón eléctrico | (J) Buje |

| | |
|-----------------------------------|---|
| (E) Soporte de montaje del mástil | (K) Soporte de montaje del brazo de elevación |
| (F) Brazo de elevación | |

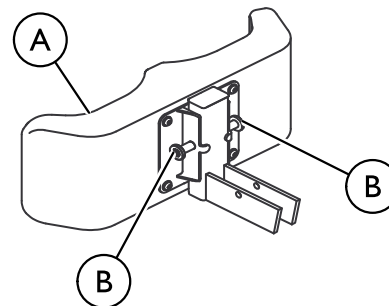


¡ADVERTENCIA!

– NO apriete excesivamente los anclajes de montaje, ya que ello dañará los soportes de montaje.

1. Retire el perno inferior, arandela y perno de tope que sujetan el pistón eléctrico al soporte de montaje del mástil.
2. Apoye el brazo de la grúa en su hombro y retire la tuerca superior, perno, soporte y buje del soporte de montaje del brazo de la grúa.
3. Retire el pistón eléctrico.
4. Invierta los PASOS 1 al 3 para instalar el nuevo pistón eléctrico.


8.8 Ajuste de la altura de la rodillera



| | |
|-------------|---------------------|
| Ⓐ Rodillera | Ⓑ Pasador de ajuste |
|-------------|---------------------|

**¡ADVERTENCIA!**

- NUNCA ajuste el soporte de rodillas mientras el paciente esté en la posición de pie.
- NUNCA intente ajustar el soporte de rodillas mientras la grúa esté moviéndose.
- SIEMPRE compruebe que los pasadores de ajuste estén colocados en los orificios adecuados de regulación de altura antes de usar la unidad.

1. Elija un ajuste de altura que sea cómodo para el paciente y que suministre el apoyo necesario.
 Soporte de rodillas debe colocarse de manera que la porción de la rodilla de la pierna contacte la almohadilla.
2. Utilice ambas manos para retirar los pasadores de ajuste al mismo tiempo.
3. Coloque soporte de rodillas a la altura deseada y los pasadores de ajuste de liberación en los orificios de alineación correspondientes.
4. Compruebe que ambos pasadores estén enganchados.

9 Datos Técnicos

9.1 Elevador de paciente con soporte para ponerse de pie RSP350-1E y RPS350-1FR

| | |
|---|-------------------------------|
| Altura en enganche de eslinga - MÁX. | 168 cm |
| Altura en enganche de eslinga - MIN. | 102 cm |
| Ancho de base ABIERTA | 94 cm |
| Ancho de base CERRADA | 66 cm |
| Altura de base (espaciado) | 11,5 cm |
| Largo de base | 90 cm |
| Altura general | 125 cm |
| Largo general | 99 cm |
| Ancho general | 65,5 cm |
| Tamaño de ruedas (DELANTERAS/TRASERAS) | 8 cm / 13 cm |
| Opciones de eslinga | De pie o traslado |
| Material de eslinga | Poliéster |
| Capacidad de elevación máxima (SWL) (paciente + eslinga + los brazos) | 159 kg |
| Peso total (fuera de la caja) | 49 kg |
| Batería (voltaje de salida) | 24V DC máx.. 240VA (RCHBL) |
| Entrada del cargador (suministro de voltaje) | 100-240V AC ~ 50/60 Hz |
| Rendimiento del cargador/tiempo de carga | 29.5V DC Max 6 horas |
| Alarma de batería baja audio/visual | Sí |

| | |
|---|---|
| Dispositivos de seguridad del motor | Antiatrapamiento |
| *Elevaciones por carga aprox. (capacidad operativa) | *100-200 ciclos por carga |
| Entrada de corriente máx. | Máx. 400 mA |
| Temperatura de operación: | 5° a 40° C |
| Humedad atmosférica | 20% a 90% @ 30 sin condensación |
| Presión sonora | < 50 dB |
| Presión atmosférica | 700 a 1060 hPa |
| Temperatura de almacenamiento | superior a 0°C |
| Humedad del aire de almacenamiento | inferior al 60% |
| Presión atmosférica de almacenamiento | De 700 hPa a 1060 hPa |
| Grado de protección, unidad de control | IPX4 |
| Grado de protección, mando | IPX4 |
| Grado de protección, motor | IPX4 |
| Clase de aislamiento | Aislamiento doble, Pieza aplicada de Tipo B |
| Intermitentes | 10%, máx, 2 minutos/18 minutos |
| Capacidad de batería | 2,9 Ah |
| Descenso de emergencia manual | Sí |
| Elevación/descenso de emergencia eléctrico | Sí/Sí |

| | |
|------------------------|---|
| Vida útil prevista | 8 años |
| Velocidad de elevación | El elevador cumple con la "velocidad de elevación y descenso" establecida en la norma ENISO10535 (<0,15 m/s con carga máxima y <0,25 m/s sin carga) |



* Varía dependiendo de la carga y utilización.

Sisällysluettelo

Tämä opas on annettava loppukäyttäjälle. Lue tämä opas ENNEN tuotteen käyttöä. Säilytä opas myöhempää tarvetta varten.

| | |
|--|------------|
| 1 Yleistä | 138 |
| 1.1 Symbolit | 138 |
| 1.2 Käyttötarkoitus | 139 |
| 1.2.1 Vasta-aiheet | 139 |
| 1.3 Toimitukseen sisältyvät osat | 140 |
| 1.4 Käyttöikä | 141 |
| 1.5 Takuutiedot | 141 |
| 2 Turvallisuus | 142 |
| 2.1 Yleiset ohjeet | 142 |
| 2.2 Tiedot käytöstä | 142 |
| 2.2.1 Yleistä | 143 |
| 2.2.2 Asettaminen | 144 |
| 2.2.3 Hävittäminen | 144 |
| 2.3 Radiotaajuushäiriö | 145 |
| 2.4 Tuotekilven merkinnät | 146 |
| 3 Käyttöönotto | 147 |
| 3.1 Turvallinen kokoonpano | 147 |
| 3.2 Maston asentaminen jalustaan | 148 |
| 3.3 Nostimen valmistelu käyttöä varten | 148 |
| 3.4 Siirtokahvan asentaminen | 149 |
| 3.5 Akkulaturin kiinnikkeen kiinnittäminen seinään | 149 |
| 4 Käyttö | 151 |
| 4.1 Johdanto | 151 |
| 4.2 Jalasten kaventaminen/levittäminen | 151 |
| 4.2.1 Manuaalisten jalasten kiinnivetäminen/levittäminen | 151 |
| 4.3 Takapyörien lukitseminen / lukituksen avaaminen | 152 |
| 4.4 Nostimen nostaminen/laskeminen | 152 |

| | |
|---|------------|
| 4.4.1 Sähköisen nostimen nostaminen/laskeminen | 152 |
| 4.5 Mekaanisen hätälaukaisimen aktivointi | 153 |
| 4.5.1 Ensisijainen hätälaukaisin | 153 |
| 4.5.2 Toissijainen hätälaukaisin | 154 |
| 4.6 Häätäpysäytyksen tekeminen | 154 |
| 4.7 Akun lataaminen | 155 |
| 4.7.1 Akun merkkivalo | 155 |
| 4.7.2 Akun lataaminen virtajohtolla | 157 |
| 4.7.3 Akun lataaminen akkulaturilla | 158 |
| 5 Potilaan nostaminen | 159 |
| 5.1 Turvallinen nostaminen | 159 |
| 5.2 Seisontatukinostimen sijoittaminen käyttöä varten | 161 |
| 5.3 Potilaan nostaminen | 162 |
| 5.4 Potilaan siirtäminen | 164 |
| 6 Potilaan siirtäminen | 165 |
| 6.1 Turvallinen siirto | 165 |
| 6.2 Siirtäminen suihkutuoliin | 166 |
| 6.3 Siirtäminen pyörätuoliin | 168 |
| 6.4 Siirtäminen vuoteeseen | 169 |
| 7 Vianmääritys | 170 |
| 7.1 Vianmääritystaulukko | 170 |
| 8 Huolto | 172 |
| 8.1 Huolto ja turvallisuustarkastus: tarkastuslista | 172 |
| 8.2 Nostoliinan ja nostimen puhdistaminen | 173 |
| 8.3 Uudelleenkäyttö | 174 |
| 8.4 Kulumien ja vaurioiden havaitseminen | 174 |
| 8.5 Nostimen voitelu | 174 |
| 8.6 Alustan säätäminen | 175 |
| 8.7 Sähköisen toimilaitteen vaihtaminen | 176 |
| 8.8 Polvituen korkeuden säätäminen | 176 |
| 9 Tekniset tiedot | 178 |
| 9.1 Potilasseisontatukinostimet RPS3501E ja RPS3501FR | 178 |

1 Yleistä

1.1 Symbolit

Tässä oppaassa käytetään signaalisanoja, jotka viittaavat vaaroihin tai turvattomiin käytäntöihin, jotka saattavat aiheuttaa henkilö- tai omaisuusvahinkoja. Katso alta lisätietoja signaalisanojen määritelmistä.



VAROITUS!

– Varoitus osoittaa mahdollisesti vaarallista tilannetta. Jos sitä ei vältetä, se saattaa aiheuttaa kuoleman tai vakavan vamman.



HUOMIO!

– Huomio osoittaa mahdollisesti vaarallista tilannetta. Jos sitä ei vältetä, se saattaa aiheuttaa omaisuusvahingon tai vähäisen vamman tai molemmat.



TÄRKEÄÄ

– Osoittaa mahdollisesti vaarallisen tilanteen. Jos sitä ei vältetä, se saattaa aiheuttaa omaisuusvahingon.



Antaa hyödyllisiä vinkkejä, suosituksia ja tietoa tehokkaasta ja ongelmattomasta käytöstä.



Valmistuspäivä.



Tämä tuote täyttää lääkintälaitteita koskevan direktiivin 93/42/ETY vaatimukset.

Tämän tuotteen julkaisupäivämäärä on mainittu CE-vaatimustenmukaisuusvakuutuksessa.



Katso oppaasta



Merkkiääni, kun akun varaustaso on alhainen. Katso 4.7 *Akun lataaminen*, sivu 155



Pyörän lukitus.



Levitä/kavenna jalakset.



Nosta/laske nostovarsia



Hätäjarru



Turvallinen työskentelykuorma



Kaksoiseristetty, luokan II laite



Tyyppin B sovellettu osa



Kierrätä tämä tuote. Katso 2.2.3
Hävittäminen, sivu 144

1.2 Käyttötarkoitus



VAROITUS!

Kaatumisvaara

Invacaren seisontatukinostin EI ole kuljetuslaite. Se on tarkoitettu siirtämään henkilö yhdestä sijaintipaikasta toiseen (kuten sängystä pyörätuoliin).

Invacaren nostoliinat ja potilasnostimen lisävarusteet on suunniteltu käytettäväksi erityisesti Invacaren potilasnostinten kanssa. Vamman tai putoamisen välttäminen:

- Potilaiden, joita siirretään ja asetetaan seisontatukinostimen avulla, ON OLTAVA yhteistyöhaluisia, tajuissaan ja heidän on pystyttävä kannattelemaan päätään ja niskaansa. Muussa tapauksessa seurauksena voi olla loukkaantuminen.
- Potilaiden, joita siirretään ja asetetaan seisontatukinostoliinan avulla, ON PYSTYTTÄVÄ kannattelemaan suurinta osaa painostaan. Muussa tapauksessa seurauksena voi olla vamma tai vaurio. Lue lisätietoa nostoliinan käyttöoppaasta.

Seisontatukinostimet ovat akkukäyttöisiä siirtolaitteita, jotka on tarkoitettu käytettäväksi yleisimmissä nostotilanteissa, esimerkiksi seuraavissa siirtämistapauksissa:

- vuoteen ja pyörätuolin välillä
- WC:tä käytettäessä

Seisontatukinostin on tarkoitettu ainoastaan teknisissä tiedoissa ilmoitettua enimmäispainoa kevyempien potilaiden siirtämiseen.

Asianmukaisten nostoliinoiden ja lisävarusteiden valinta jokaista henkilöä varten on tärkeää turvallisuuden takaamiseksi potilasnostinta käytettäessä. Katso Invacaren nostoliinoiden ja lisävarusteiden käyttöoppaasta lisätietoa kyseisistä laitteista.

Invacare suosittelee, että potilas siirretään suihkutuoliin tai muihin kylpylaitteisiin.

Seisontatukinostinta voidaan kääntää (kiertää) paikassa, jossa siirtämiseen on vähän tilaa.

1.2.1 Vasta-aiheet

Seisontatukipotilasnostin on vasta-aiheinen potilaille, jotka

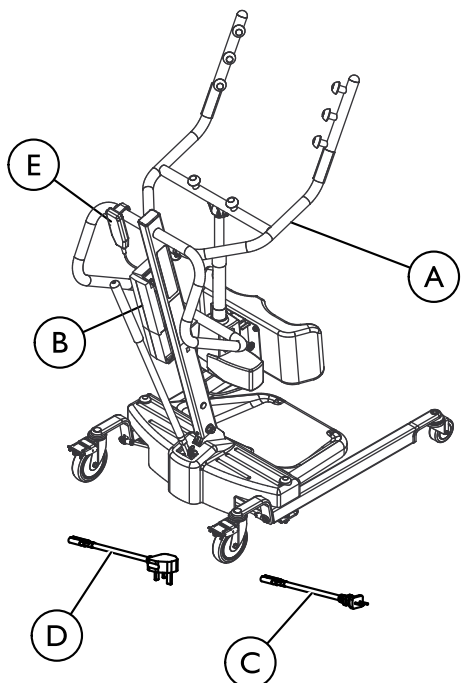
- eivät ole yhteistyöhaluisia
- eivät ole tajuissaan
- eivät pysty kannattelemaan päätään ja niskaansa.

Jotkin seisontatukipotilasnostimelle suunnitellut nostoliinat ovat vasta-aiheisia potilailla, jotka eivät pysty kannattelemaan suurinta osaa painostaan. Lue lisätietoa nostoliinan käyttöoppaasta.

1.3 Toimitukseen sisältyvät osat

Taulukoissa luetellut esineet kuuluvat pakkaukseen.
Nostoliinat myydään erikseen. Seinälaturi voidaan myydä erikseen.

| Kohta | Kuvaus | Määrä |
|-------|--|-------|
| A | Nostin | 1 |
| B | Akku | 1 |
| C | Latausjohto, EU | 1 |
| D | Latausjohto, UK (vain malli RPS350-1E) | 1 |
| E | Käsiohjain | 1 |
| F | Nostimen käyttöopas (ei näytetty) | 1 |



1.4 Käyttöikä



VAROITUS!

Vamman tai vaurion vaara

Tuotteen kunnossapidon laiminlyönti voi johtaa tuotteen toimintojen häviämiseen tai tuotevaurioon ja aiheuttaa vammoja ja vaurioita. Väärä kokoonpano voi aiheuttaa vamman tai vahingon.

Väärin tai epäasianmukaisten osien, mukaan lukien varaosien (huolto-osien), käyttö voi aiheuttaa vamman tai vaurion.

- VAIN pätevä henkilöstö saa suorittaa kokoonpanon ja huollon.
- Asianmukaisen toiminnan takaaminen edellyttää potilasnostinten ja lisävarusteiden säännöllistä huoltoa.
- Käytä vain Invacaren osia tämän potilasnostimen kokoonpanossa. Pohja, jalakset, masto, puomi tai nostovarret, pumppu tai toimilaittekokoonpano ja nostohenkari on valmistettu kaikkien osien asianmukaisen kohdistamisen ja turvallisen toiminnan takaavien teknisten ominaisuuksien mukaisesti.
- Anna AINA nostimen sarjanumero, sillä se auttaa tilaamaan oikeat varaosat.
- ÄLÄ kiristä kokoonpanolaitteistoa liikaa. Se vaurioittaa kiinnikettä.

Siirrettävän potilasnostimen odotettu käyttöikä on kahdeksan vuotta, kun sitä käytetään tässä oppaassa esitettyjen turvallisuusohjeiden, huoltovälien ja asianmukaisen käytön

mukaisesti. Tuotteen todellinen käyttöikä voi vaihdella käytön tiheyden ja voimakkuuden mukaan.

Toimilaitteen käyttöikä

| Nostojen määrä päivässä | Toimilaitteen käyttöikä (vuosina) |
|--------------------------------|--|
| 1–2 | 10 |
| 3 | 9 |
| 4 | 6 |
| 5 | 5 |
| 6 | 4 |
| 7 | 3 |
| 10–13 | 2 |
| 14–27 | 1 |

1.5 Takuutiedot

Takuuehdot ovat osa tuotteen yksittäisissä myyntimaissa sovellettavia yleisiä ehtoja.

Paikallisen Invacaren toimiston yhteystiedot ovat tämän oppaan takasivun sisäpuolella.

2 Turvallisuus

2.1 Yleiset ohjeet



VAROITUS!

– ÄLÄ käytä tätä tuotetta tai siihen saatavilla olevia lisävarusteita, ennen kuin olet lukenut kokonaan ja sisäistänyt nämä ohjeet ja mahdolliset lisäohjeet, kuten käyttöoppaat, huolto-oppaat ja ohjelehtiset, jotka on toimitettu tämän tuotteen tai lisävarusteen mukana. Jos et ymmärrä varoituksia, huomautuksia tai ohjeita, ota yhteyttä terveydenhoitoalan ammattilaiseen, jälleenmyyjään tai tekniseen henkilöstöön ennen laitteen käyttämistä. Muuten saattaa aiheutua vaurioita tai vahinkoja.

LISÄVARUSTEVAROITUS

Invacare-tuotteet on suunniteltu ja valmistettu käytettäväksi erityisesti Invacare-lisävarusteiden kanssa.

Invacare ei ole testannut muiden valmistajien lisävarusteita eikä niitä suositella käytettäväksi Invacare-tuotteiden kanssa. Tietyissä tapauksissa muiden valmistajien nostoliinujen käyttö saattaa olla mahdollista.

– Lisätietoja lisävarusteista saat paikallisesta Invacaren toimipisteestä.



HUOMAUTUS

– Tämän asiakirjan tiedot voivat muuttua ilman huomautusta.

Tarkista kaikki osat kuljetusvahinkojen varalta ennen käyttöä. ÄLÄ käytä vaurioitunutta laitetta. Kysy lisätietoja jälleenmyyjältä tai Invacaren edustajalta.

2.2 Tiedot käytöstä

Tässä oppaan osassa on yleisiä turvallisuustietoja tuotteesta. Katso erityiset turvallisuustiedot oppaan vastaavasta osiosta ja kyseisen osion toimenpiteistä. Esimerkiksi nostimeen kokoamiseen liittyvät turvallisuusohjeet ovat osiossa 3 *Käyttöönotto, sivu 147*.

2.2.1 Yleistä



VAROITUS!

Kaatumisvaara

ÄLÄ yritä siirtää potilasta ilman potilaan lääkärin, sairaanhoitajan tai lääketieteellisen avustajan lupaa. Lue huolellisesti tämän käyttöoppaan ohjeet ja tarkkaile, miten koulutetut asiantuntijat nostavat potilasta. Harjoittele sitten nostamista useamman kerran alusta loppuun asti asianmukaisessa valvonnassa ja liikuntaesteettömän henkilön esittäessä potilasta.

- Käytä tervettä järkeä kaikissa nostoissa. Noudata EHDOTTOMASTI erityistä varovaisuutta sellaisten liikuntakyvyttömiä henkilöiden kanssa, jotka eivät pysty auttamaan nostossa.
- Työnnä tai vedä potilasnostinta aina maston ohjauskahvasta.
- Muista tarkistaa nostoliinan kiinnitykset sen poiston ja vaihtamisen yhteydessä. Näin varmistat nostoliinan kunnollisen kiinnityksen, kun potilas siirretään paikallaan olevasta kohteesta (sänky, tuoli tai suihkutuoli).



VAROITUS!

Vamman tai vaurion vaara

Potilasnostinta voi käyttää sisällä tai ulkona. Nostin saattaa olla epävakaa joillakin pinnoilla, mikä voi aiheuttaa vahingon tai vamman. Nostinta voidaan käyttää suihkussa tai kylvyn alueella, mutta ylimääräinen kosteus vahingoittaa nostinta ja saattaa aiheuttaa vamman.

- Vältä nostimen käyttöä kaltevilla pinnalla. Invacare suosittelee, että nostinta käytetään ainoastaan tasaisella pinnalla.
- ÄLÄ rullaa pyöräjalustaa epätasaisten pintojen yli, sillä tämä saattaa aiheuttaa potilasnostimen kaatumisen.
- ÄLÄ käytä potilasnostinta suihkussa tai kylvyssä tai muissa pitkään kosteissa tiloissa.
- Varmista, että potilasnostin puhdistetaan kosteudesta käytön jälkeen.
- ÄLÄ säilytä nostinta kosteassa paikassa tai kosteana. Katso säilytyslämpötila, kosteus- ja painealueet, jotka on lueteltu kohdassa *7.1 Vianmääritystaulukko, sivu 170*
- Tarkista säännöllisesti, ettei potilasnostimen osissa ole merkkejä korroosiosta. Vaihda kaikki syöpyneet tai vahingoittuneet osat.

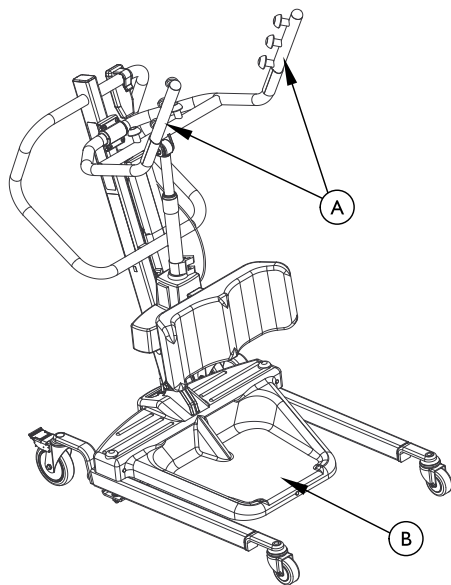
2.2.2 Asettaminen



VAROITUS!

Loukkaantumiswaara

- Ota AINA nostovarret huomioon. Saattaa aiheuttaa vamman potilaalle ja/tai avustajalle.
- Ota AINA jalkanoja huomioon ja huomioi erityisesti potilaan asento jalkanojalla. Saattaa aiheuttaa vamman potilaalle ja/tai avustajalle.



Ⓐ = Nostovarret

Ⓑ = Jalkalevy

2.2.3 Hävittäminen



VAROITUS!

Ympäristövaara

Tämän tuotteen toimittaa ympäristön huomioon ottava valmistaja, joka noudattaa toiminnassaan sähkö- ja elektroniikkaromua koskevaa WEEE-direktiiviä 2012/19/EU.

Laitteessa on lyijyakut.

Tämä tuote saattaa sisältää aineita, jotka voivat vahingoittaa ympäristöä, jos ne hävitetään paikoissa (kaatopaikoilla), jotka eivät ole lainsäädännön mukaan asianmukaisia.

- ÄLÄ hävitä akkuja tavallisen kotitalousjätteen mukana. Ne on EHDOTTOMASTI vietävä asianmukaiseen jätteiden hävityspaikkaan. Kysy tarkempia tietoja paikalliselta jätehuoltolaitoksesta.
- Suojele ympäristöä ja vie tuote käytön jälkeen paikalliseen kierrätyspisteeseen.

2.3 Radiotaajuushäiriö



VAROITUS!

Vamman tai vaurion vaara

Radiotaajuushäiriö (RFI) voi vaikuttaa useimpiin sähkölaitteisiin.

Vältä vammat ja vauriot noudattamalla VAROVAISUUTTA, kun käytät kannettavia viestintälaitteita tällaisessa ympäristössä.

Jos radiotaajuushäiriö haittaa laitteen toimintaa, toimi seuraavasti:

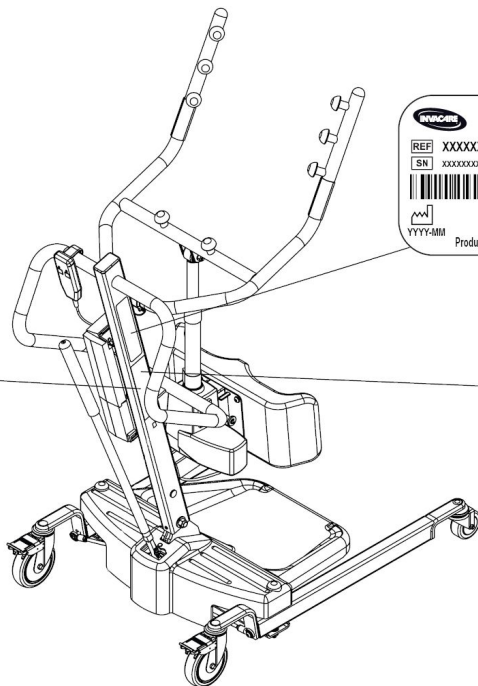
- PAINA punainen virtakytkin **VÄLITTÖMÄSTI** OFF-asentoon (pois päältä).
- **ÄLÄ** käännä virtakytkintä ON-asentoon (päälle) lähetyksen aikana.

2.4 Tuotekilven merkinnät

SWL
159kg

1171742 Rev B

RPS350-IFR



Invacare Portugal, Lda
 Rua Estrada Vólta 949
 4465-784 Leça do Balio, Portugal

ISO 18535

| | |
|---------------------|---------------|
| REF XXXXXX XXXXX XX | XXXXXXXX XXXX |
| SM XXXXXXXXXXXXX | XXXXXXXX XXXX |
| XXXXXXXX XXXX | |
| XXXXXXXX XXXX | |
| XXXXXXXX XXXX | |

Product name

xxx kg

SWL
159kg

1167425 Rev B

RPS350-IE

3 Käyttöönotto

3.1 Turvallinen kokoonpano

**VAROITUS!****Loukkaantumisvaara**

Väärä kokoonpano voi aiheuttaa vamman tai vahingon.

- VAIN pätevä henkilöstö saa suorittaa kokoonpanon.
- Käytä vain Invacaren osia tämän potilasnostimen kokoonpanossa. Nostimen komponentit on valmistettu kaikkien osien asianmukaisen kohdistamisen ja turvallisen toiminnan takaavien teknisten ominaisuuksien mukaisesti.
- ÄLÄ kiristä kokoonpanolaitteistoa liikaa. Se vaurioittaa kiinnikettä.



Potilasnostimen kokoonpanossa ei tarvita työkaluja.

Jos kokoonpanon aikana ilmenee ongelmia tai kysymyksiä, ota yhteyttä paikalliseen Invacaren edustajaan. Katso yhteystiedot tämän oppaan takaa.

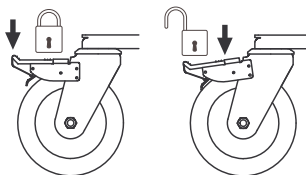
3.2 Maston asentaminen jalustaan



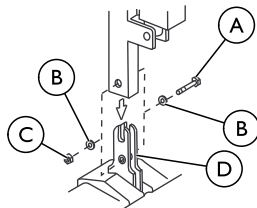
VAROITUS!

– Käytä vain Invacaren osia tämän potilasnostimen kokoonpanossa. Pohjan jalakset, masto, puomi, pumpun kokoonpano ja kääntövarsi on valmistettu kaikkien osien asianmukaisen kohdistamisen ja turvallisen toiminnan takaavien teknisten ominaisuuksien mukaisesti.

YKSITYISKOHTA A



YKSITYISKOHTA B



| | |
|--------------------|------------|
| Ⓐ Kuusiokolopultti | Ⓒ Mutteri |
| Ⓑ Aluslevy | Ⓓ Kiinnike |



Maston kokoonpano voidaan irrottaa jalustasta säilytystä tai kuljetusta varten. Maston kokoonpano on EHDOTTOMASTI kiinnitettävä kunnolla jalustakokoonpanoon ennen käyttöä.

1. Laita jalustin lattialle.



Varmista, että kaikki neljä pyörää osuvat lattiaan.

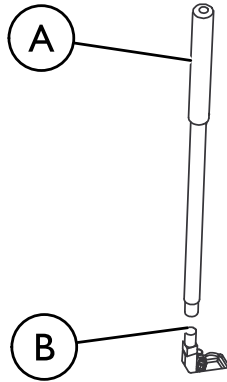
2. Lukitse molemmat takapyörät, katso yksityiskohta A.

3. Irrota kuusiokolopultti, aluslevyt ja mutteri, jotka sijaitsevat jalustan U-muotoisessa aukossa, katso yksityiskohta B.
4. Nosta masto pystyasentoon.
5. Laske masto kiinnikkeeseen päälle.
6. Kiinnitä masto jalustaan kuusiokolopultilla, alustalla ja mutterilla. Kiristä tiukasti.

3.3 Nostimen valmistelu käyttöä varten

Tarkista ja kiristä kaikki kiinnittimet ENNEN käyttöä.

3.4 Siirtokahvan asentaminen

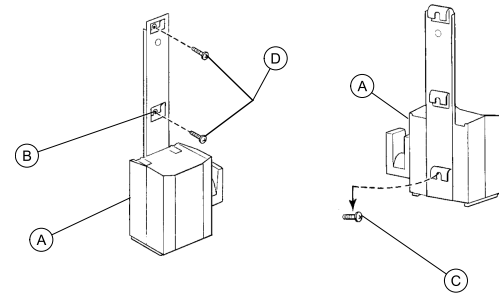


Ⓐ Vaihtokahva

Ⓑ Pohjan urossovitin

1. Irrota siirtokahva pakkauspahvista.
2. Kierrä vaihtokahva pohjan urossovittimeen.


3.5 Akkulaturin kiinnikkeen kiinnittäminen seinään



Katso asianmukaisia asennusmenettelyjä koskevat paikalliset säännökset.

Tämä toimenpide pätee vain RPS350–1E-malleihin.

1. Aseta akkulaturi yhdessä kiinnikkeen Ⓐ kanssa seinään haluttuun asentoon.
2. Merkitse kynällä keskireiän Ⓑ paikka.
3. Mittaa alaspäin 16,5 cm (6,5 tuumaa) kynän merkistä ja poraa yksi kiinnitysreikä.
4. Asenna alempi asennusruuvi Ⓒ, kunnes ruuvien päiden ja seinän välissä on noin 3 mm:n (1/8 tuumaa) väli.
5. Aseta akkulaturi yhdessä kiinnikkeen kanssa asennusruuvien pohjaan.
6. Poraa jäljellä olevat kaksi asennusreikää.

7. Aseta kaksi jäljellä olevaa asennusruuvia  kiinnikkeen läpi seinään. Kiristä tiukasti.
8. Kiinnitä akkulaturi seinäpistokkeeseen.



Virran LED-merkkivalo syttyy.

4 Käyttö

4.1 Johdanto

Potilasnostimen käyttö on helppoa ja turvallista.



Katso turvallisuustiedot ja -ohjeet seuraavista menettelyistä ennen nostimen käyttöä potilaan kanssa:

- 2.2 Tiedot käytöstä, sivu 142
- 5.3 Potilaan nostaminen, sivu 162

4.2 Jalasten kaventaminen/levittäminen



VAROITUS!

Loukkaantumisaara

Nostin voi kaatua ja vaarantaa potilaan ja avustajat.

- Nostimen jalasten on oltava kokonaan auki, jotta voidaan taata mahdollisimman hyvä vakaus ja turvallisuus. Jos nostimen jalaksia on kavennettava nostimen viemiseksi sängyn alle, kavenna jalaksia vain sen verran, että nostin on potilaan yläpuolella, ja nosta potilas sängystä. Kun nostimen jalakset eivät enää ole sängyn alla, levitä ne jälleen kokonaan auki.

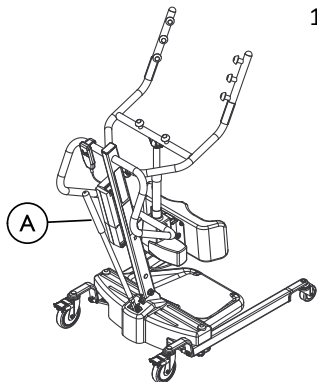
4.2.1 Manuaalisten jalasten kiinnivetäminen/levittäminen

Jalustan jalakset levitetään tai vedetään kiinni vaihtokahvalla potilasta nostettaessa.




Katso turvallisuustiedot kohdasta 4.2 *Jalasten kaventaminen/levittäminen*, sivu 151 ennen tämän menettelyn suorittamista.


Ⓐ = vaihtokahva



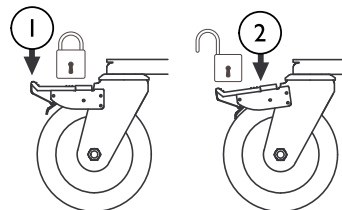
1. Jalasten kiinnittäminen:
Vedä vaihtokahvaa ULOSPÄIN ja poispäin seisontanostimesta ja sitten VASEMMALLE, kunnes se LUKKIUTUU kiinnikkeen loveen.

 Vasen määritellään siitä, kun seisot seisontanostimen takana etupyöriin päin.

2. Jalasten levittäminen:
Vedä vaihtokahvaa ULOSPÄIN ja poispäin seisontanostimesta ja sitten OIKEALLE, kunnes se LUKKIUTUU kiinnikkeen loveen.

 Oikea määritellään siitä, kun seisot seisontanostimen takana etupyöriin päin.

4.3 Takapyörien lukitseminen / lukituksen avaaminen



1. Lukitse astumalla tähän
2. Avaa lukitus astumalla tähän

4.4 Nostimen nostaminen/laskeminen



VAROITUS!

Loukkaantumisvaara

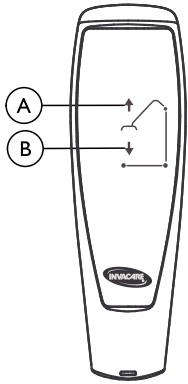
Nostin voi kaatua ja vahingoittaa potilasta ja avustajia.

- Invacare suosittelee, että takapyöriä ei lukita nostomenettelyjen aikana, jotta potilasnostin pysyy vakaana, kun potilas nostetaan tuolista, sängystä tai muusta paikallaan olevasta kohteesta.

4.4.1 Sähköisen nostimen nostaminen/laskeminen



Katso turvallisuustiedot kohdasta *4.4 Nostimen nostaminen/laskeminen, sivu 152* ennen tämän menettelyn suorittamista.



1. Nostimen nostaminen: nosta puomi ja potilas pitämällä UP-painiketta **A** painettuna.
2. Nostimen laskeminen: laske puomi ja potilas pitämällä DOWN-painiketta **B** painettuna.

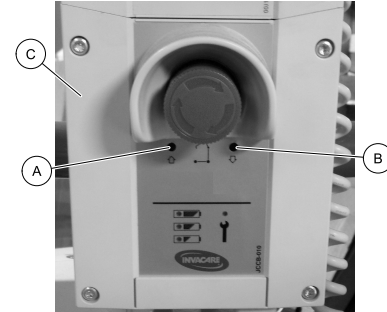


Lopeta nostimen nostaminen tai laskeminen vapauttamalla painike.

4.5 Mekaanisen hätälaukaisimen aktivointi

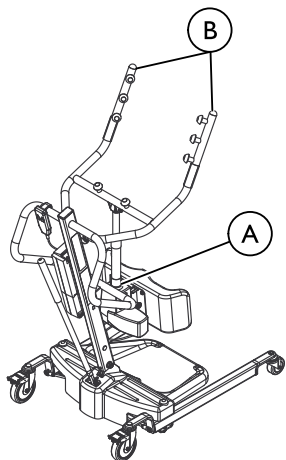
Mekaanisia hätälaukaisimia on kahdentyyppisiä – ensisijainen ja toissijainen.

4.5.1 Ensisijainen hätälaukaisin



1. Työnnä kynä reikään, jossa on merkintä Emergency Up **A** (hätälaukaisin ylös) tai Emergency Down **B** (hätälaukaisin alas) ohjainyksikössä **C**.

4.5.2 Toissijainen hätälaukaisin



Ⓐ PUNAINEN hätäkahva

Ⓑ Nostovarret

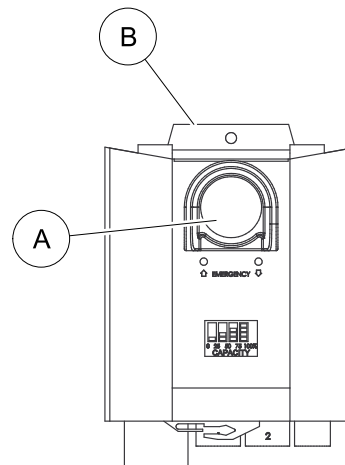


Ensisijaisen hätälaukaisimen käyttöä suositellaan. Toissijainen hätälaukaisin on vain ensisijaisen hätälaukaisimen varalaitte.

Jos ensisijainen laukaisin ei toimi tai siihen ei pääse käsiksi, voidaan käyttää toissijaista hätälaukaisinta.


1. Vedä HÄTÄKAHVASTA Ⓐ ja työnnä samalla nostovarsia Ⓑ alaspäin.

4.6 Hätäpysäytyksen tekeminen




1. Paina PUNAISTA painiketta Ⓐ ohjainyksikössä Ⓑ jotta estät puomia ja potilasta nousemasta tai laskeutumasta.
2. Palauta kiertämällä samaa painiketta myötäpäivään.

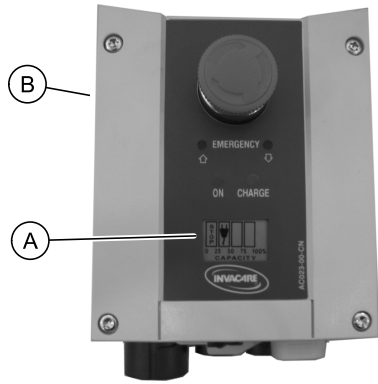
4.7 Akun lataaminen

 Invacare suosittelee, että akku ladataan päivittäin sen käyttöiän pidentämiseksi.


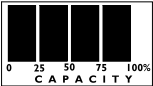
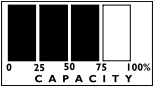
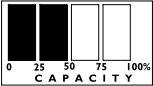
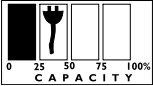
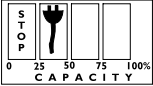
Akun lataamiseen on kaksi erilaista menetelmää: Ensimmäisessä käytetään virtajohtoa, joka kiinnitetään ohjainkoteloon, ja toisessa akku on kiinnitettävä akkulaturin. Noudata asianmukaista toimintatapaa potilasnostimen akun latauksessa.

4.7.1 Akun merkkivalo

 Tämä toimenpide pätee vain RPS350–1FR-malleihin.



Akun merkkivalo **A** on ohjausyksikössä **B**. Merkkivalot ilmoittavat akun tilan:


| Ohjainyksikön akun merkkivalo  | Akun tila | Kuvaus |
|--|--------------------------|---|
|  | Täysi varaus (100 %) | Akku on OK – ei tarvitse ladata (100 %) |
|  | Osittainen varaus (75 %) | Akku on OK – ei tarvitse ladata (75 %). |
|  | Osittainen varaus (50 %) | Akku on ladattava (50 %). |
|  | Vähäinen varaus (25 %) | Akku on ladattava (25 %). Merkinantotorvi piippaa, kun painiketta painetaan. |
|  | Vähäinen varaus (0 %) | <p>Akku on ladattava.</p> <p>Joitakin nostimen toimintoja ei voi enää käyttää, ja voidaan vain laskea puomia.</p> <p>Akun alhaisesta varaustasosta varoitetaan kuuluvalla hälytinäänellä (merkinantotorvi piippaa). Jos äänimerkki kuuluu siirron aikana, tee kyseinen siirto loppuun ja lataa sitten akku.</p> |

4.7.2 Akun lataaminen virtajohtolla



HUOMIO!

– Hätäpysäytintä EI SAA aktivoida, sillä akkua ei voi muuten ladata. Potilasnostinta ei voi käyttää lataamisen aikana. ÄLÄ yritä siirtää potilasnostinta, jos virtajohtoa ei ole irrotettu seinäpistokkeestä. ÄLÄ yritä käyttää potilasnostinta, jos akkukotelo on vahingoittunut. Vaihda vahingoittunut akkukotelo ennen seuraavaa käyttökertaa.

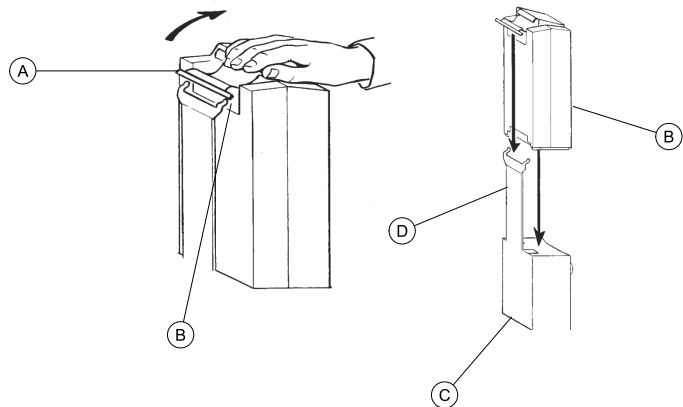
1. Kiinnitä virtajohto ohjainkoteloon.
2. Kytke virtajohto virtapistokkeeseen.
 -  Akku latautuu noin 4 tunnissa. Akku on ladattava hyvin ilmastoidussa huoneessa.
3. Irrota virtajohto pistorasiasta, kun akku on latautunut täyteen.




Tämä toimenpide pätee vain malliin RPS350–1FR.

Ⓐ = Virtajohto kytetään tänne

4.7.3 Akun lataaminen akkulaturilla



 Tämä toimenpide pätee vain malliin RPS350–1E.

1. Nosta kahvaa **A** ylöspäin akun **B** takaosasta.
2. Nosta akkua ylöspäin ja poispäin ohjainkotelosta **C**.



HUOMIO!

Akun virheellinen asentaminen voi aiheuttaa vamman tai vahingon.
 – Varmista, että kuulet selvän napsahduksen, kun asennat akun akkulaturiin. Tämä takaa, että asennus on suoritettu kunnolla.

3. Aseta akku akkulaturiin **D** kuvan mukaisesti. Varmista, että kuulet selvän napsahduksen.



LED-latausvalo syttyy. Kun lataus on suoritettu loppuun, LED-latausvalo sammuu.
 Akun täyteen lataaminen kestää noin neljä tuntia.

4. Nosta akun takaosassa olevaa kahvaa ylöspäin.
5. Nosta akkua ylöspäin ja poispäin akkulaturista.



HUOMIO!

Akun virheellinen asentaminen voi aiheuttaa vamman tai vahingon.

– Varmista, että kuulet selvän napsahduksen, kun asennat akun ohjainkoteloon. Tämä takaa, että asennus on suoritettu kunnolla.

6. Aseta akku takaisin ohjainkoteloon kuvan mukaisesti. Varmista, että kuulet selvän napsahduksen.



Akkua asennetaan ohjainkoteloon ja akkulaturiin kuvan mukaisesti.

5 Potilaan nostaminen

5.1 Turvallinen nostaminen



VAROITUS!

- ÄLÄ ylitä potilasnostimen enimmäispainorajaa (turvallinen työskentelykuorma, SWL), joka on 159 kg (25 paunaa). Potilaan enimmäispaino on 159 kg (25 paunaa).
- ÄLÄ yritä siirtoja ilman terveydenhuollon ammattilaisen lupaa.
- Pidä kädet ja sormet AINA poissa liikkuvien osien lähetyviltä vammojen välttämiseksi.
- Kun potilas on ripustettu siirron aikana nostoliinaan, ÄLÄ vieritä nostimen alustaa epätasaisten pintojen yli, jotka saattaisivat tehdä nostimesta epävakaan.
- Työnnä tai vedä seisontatukinostinta aina maston kokoonpanon ohjaukshavasta.



VAROITUS!

Nostimen käyttäminen ja potilaan nostaminen

- Varmista, että seisontatukinostimen kanssa käytetty laitteisto on tarpeeksi vahva kuorman nostamiseksi (esim. nostoliina). Varmista, että laitteiston toimintahäiriön sattuessa nostettava henkilö ei ole vaarassa.
- Varmista ennen seisontatukinostimen jalasten asettamista potilaan ympärille, että potilaan jalat eivät ole jalkalevyn tiellä. Muutoin potilas saattaa vahingoittua.

- Turvallisuus- ja käyttömukavuussäädöt on tehtävä ennen potilaan siirtämistä. Potilaan käsien on oltava nostoliinan hihnojen ulkopuolella.



VAROITUS!

Nostimen käyttäminen ja potilaan nostaminen

- Ennen potilaan nostamista paikallaan olevasta kohteesta (pyörätuoli, suihkutuoli tai sänky), nosta potilasta hieman paikallaan olevasta kohteesta ja tarkista, että kaikki nostoliinan kiinnitykset. Jos kiinnikkeet eivät ole kunnolla paikallaan, laske potilas ja korjaa ongelma, nosta potilas uudestaan ylös ja tarkista kiinnitykset jälleen.
- Kun potilas on ripustettu siirron aikana nostimeen kiinnitettyyn nostoliinaan, ÄLÄ vieritä pyöräjalustaa epätasaisilla pinnoilla, jotka saattavat aiheuttaa potilasnostimen epävakaan ja kaataa potilasnostimen. Työnnä tai vedä potilasnostinta AINA maston ohjaukshavasta.
- Invacare suosittelee potilasnostimen takakääntöpyörien lukitsemista VAIN silloin, kun nostoliina (seisontatuki- tai siirtonostoliina) asetetaan potilaan ympärille tai poistetaan potilaan ympäriltä.
- Invacare EI suosittele potilasnostimen takapyörien lukitsemista henkilön nostamisen aikana. Tämä saattaa aiheuttaa nostimen kaatumisen ja vahingoittaa potilasta ja avustajia. Invacare SUOSITTELEE, että takapyöriä ei lukita

nostomenettelyjen aikana, jotta potilasnostin pysyy vakaana, kun potilas nostetaan tuolista, sängystä tai muusta paikallaan olevasta kohteesta.



VAROITUS!

Nostoliinan käyttäminen

- Käytä terveydenhuollon ammattilaisen suosittelemaa nostoliinaa, joka takaa nostettavan potilaan käyttömukavuuden ja turvallisuuden.
- Henkilöiden, jotka käyttävät seisontatukinostoliinaa, on pystyttävä kannattelemaan suurinta osaa painostaan, muutoin saattaa syntyä vammoja.
- Valkaistut, revenneet, leikatut tai rikkoutuneet nostoliinat eivät ole turvallisia ja niiden käyttö saattaa aiheuttaa loukkaantumisen. Hävitä VÄLITTÖMÄSTI sellainen nostoliina, jossa on jokin tällainen vika.
- ÄLÄ muuta nostoliinoja.
- Muista tarkistaa nostoliinan kiinnitykset sen poiston ja vaihtamisen yhteydessä. Näin varmistat nostoliinan kunnollisen kiinnityksen, kun potilas siirretään paikallaan olevasta kohteesta (sänky, tuoli tai suihkutuoli).
- Jos potilas on pyörätuolissa, lukitse sen jarrut, jotta pyörätuoli ei siirry eteen- tai taaksepäin.
- Varovaisuutta on noudatettava, että nostettava henkilö ei altistu vaaralle ja että henkilö voidaan vapauttaa ilman vammoja.



VAROITUS!

Seisontatukinostoliina

- ÄLÄ käytä seisontatukinostoliinaa ja potilasnostinta kuljetuslaitteena. Se on tarkoitettu siirtämään henkilö yhdestä sijaintipaikasta toiseen (kuten sängystä pyörätuoliin).
- Varmista ennen potilaan nostamista, että seisontatukinostoliinan alimmainen reuna on asetettu potilaan alaselän kohdalle ja että potilaan kädet ovat seisontatukinostoliinan ulkopuolella. Vyön TÄYTYY olla tiukka mutta potilaalle mukava, muutoin potilas voi liukua nostoliinasta pois siirron aikana ja hänelle voi aiheutua vamma.
- Vyön TÄYTYY olla tiukka mutta potilaalle mukava, muutoin potilas voi liukua nostoliinasta pois siirron aikana ja hänelle voi aiheutua vamma.

Siirrettävä seisontatukinostoliina

- Varmista ennen potilaan nostamista, että siirtonostoliinan alimmainen reuna on asetettu potilaan ristiselän kohdalle ja että potilaan kädet ovat siirtonostoliinan ulkopuolella.
- ÄLÄ nosta potilasta täyteen seisoma-asentoon, kun käytät siirtonostoliinaa, muutoin potilaalle saattaa aiheutua vamma.



Lue lisätietoa potilasnostoliinan esitteestä.

5.2 Seisontatukinostimen sijoittaminen käyttöä varten



Katso tämän oppaan turvallisuusosio ja tiedot kohdasta 5.1 *Turvallinen nostaminen, sivu 159* ennen kuin jatkat nostimen käyttöä, ja noudata kaikkia mainittuja varoituksia.

Ennen kuin asetat potilasnostimen jalakset sängyn alle, varmista, ettei alueella ole mitään esteitä.

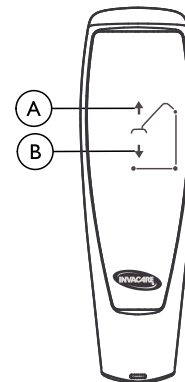


VAROITUS!

Loukkaantumiswaara

Nostin voi kaatua ja vahingoittaa potilasta ja avustajia.

- Nostimen jalakset on levitettävä kokonaan auki vakauden ja turvallisuuden varmistamiseksi. Jos nostinta on käytettävä sängyn alla ja nostimen jalaksia on vedettävä kiinni, vedä jalkoja sisäänpäin vain siihen asti, kunnes nostin on potilaan yläpuolella, ja kohota potilasta sängystä. Kun nostimen jalakset eivät enää ole sängyn alla, levitä ne kokonaan auki.



Ⓐ UP-painike

Ⓑ DOWN-painike

1. Varmista, että seisontatukinostimen jalakset on levitetty kokonaan auki. Jos eivät, levitä jalakset käyttämällä vaihtokahvaa.
2. Sijoita seisontatukinostin käyttämällä mastokahvaa.
3. Paina käsiohjaimen nuolipainiketta alas ja laske nostovarret alas nostoliinan helppoa kiinnittämistä varten.

5.3 Potilaan nostaminen



VAROITUS!

- ÄLÄ ylitä potilasnostimen enimmäispainorajaa (turvallinen työskentelykuorma, SWL), joka on 159 kg (25 paunaa). Potilaan enimmäispaino on 159 kg (25 paunaa).
- Henkilöiden, jotka käyttävät seisontatukinostoliinaa, on pystyttävä kannattelemaan suurinta osaa painostaan, muutoin saattaa syntyä vammoja.
- ÄLÄ lukitse seisontatukinostimen takapyöriä henkilön nostamisen aikana. Takapyörien lukitseminen saattaa aiheuttaa seisontatukinostimen kaatumisen ja potilaan ja avustajien vaarantumisen. Takapyörien vapauttaminen nostomenettelyjen pitää nostimen vakaana, kun potilas nostetaan pyörätuolista, sängystä tai muusta paikallaan olevasta kohteesta.
- ÄLÄ liikuta potilasta, jos nostoliinaa ei ole kiinnitetty kunnolla seisontatukinostimen kiinnityskohtiin.
- Varmista, että nostoliina asianmukaisesti kiinnitetty ENNEN potilaan nostamista. Jos kiinnitykset eivät ole asianmukaisesti paikoillaan, korjaa ne. Kun nostoliinaa on nostettu muutama sentti/tuuma kiinteältä pinnalta ennen potilaan siirtämistä, tarkista uudelleen, että nostoliina ja kaikki kiinnitykset ovat kunnolla paikoillaan. Jos havaitset ongelman, laske potilas takaisin paikallaan

pysyvälle pinnalle ja korjaa ongelma. Muutoin potilas saattaa loukkaantua.

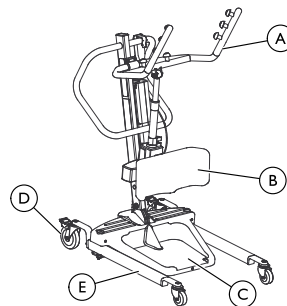
- Turvallisuus- ja käyttömukavuussäädöt on tehtävä ennen potilaan siirtämistä.



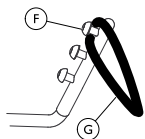
VAROITUS!

- Käytä potilaan lääkärin, sairaanhoitajan tai lääketieteellisen avustajan suosittelemaa nostoliinaa, joka takaa nostettavan potilaan käyttömukavuuden ja turvallisuuden. Invacaren nostoliinat on suunniteltu käytettäväksi erityisesti Invacaren potilasnostinten kanssa. Tietyissä tapauksissa muiden valmistajien nostoliinojen käyttö Invacaren nostimissa saattaa olla mahdollista. Lisätietoja saat paikallisesta Invacaren toimistosta.

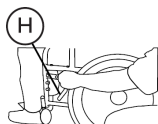
Yksityiskohta A – Seisontatukinostin



Yksityiskohta B – nostoliinan kiinnitys



Yksityiskohta C – jarrut



| | |
|----------------|--------------------------|
| (A) Käsikahvat | (E) Jalka |
| (B) Polvituki | (F) Koukku |
| (C) Jalkalevy | (G) Nostoliinan silmukka |
| (D) Takapyörä | (H) Jarru |



Lue lisätietoa potilasnostoliinan käyttöoppaasta.

Potilaan ON OLTAVA seisoma-asennossa ensin. Käytä sängyn päätä ja nosta potilas pystyasentoon ja siirrä sitten jalat sängyn laidan yli.

1. Ohjeista potilasta pitämään kiinni seisontatukinostimen molemmista kädensijoista (yksityiskohta A).
2. Ohjeista potilasta nojaamaan taaksepäin seisonta- tai siirtostonostoliinaan.



VAROITUS!

- Seisontatukinostoliinat – varmista ennen potilaan nostamista, että nostoliinan alimmainen reuna on asetettu potilaan alaselän kohdalle ja että potilaan kädet ovat nostoliinan ulkopuolella.
- Siirtoseisontatukinostoliinat – varmista ennen potilaan nostamista, että nostoliinan alimmainen reuna on asetettu potilaan ristiselän kohdalle ja että potilaan kädet ovat nostoliinan ulkopuolella.

3. Varmista seuraavat:
 - a. Potilaan polvet ovat tiukasti polvitukea vasten.
 - b. Potilaan jalat on asetettu kunnolla jalkalevyille.
 - c. Nostoliinat:
 - seisontatukinostoliinan alimmainen reuna on asetettu potilaan alaselän kohdalle.
 - siirtoseisontatukinostoliinan alimmainen reuna on asetettu potilaan ristiselän kohdalle.
 - potilaan kädet ovat nostoliinan ulkopuolella.
 - nostoliinan silmukat ovat kokonaan nostovarsien koukuissa (yksityiskohta B).
 - d. Takapyörien lukitus on vapautettu.
 - e. Jalakset on levitetty kokonaan auki.



VAROITUS!

– Jos potilasta siirretään pyörätuolista, pyörätuolin jarrujen on EHDOTTOMASTI oltava lukitussa asennossa ennen potilaan laskemista pyörätuoliin. Muussa tapauksessa seurauksena voi olla loukkaantuminen.

4. Jos siirto tapahtuu pyörätuolista, lukitse pyörätuolin jarrut (yksityiskohta C).
5. Paina käsiohjaimen YLÖS-nuolipainiketta ja nosta potilas tason yläpuolelle (sänky, pyörätuoli tai suihkutuoli). Seisontatukinostin kannattelee potilaan painoa.



Vakautta lisäävä alempi vetovoima saa potilaan tuntemaan olonsa turvallisemmaksi, ja nostinta on helpompi liikuttaa.

5.4 Potilaan siirtäminen



VAROITUS!

– Seisontatukinostimen jalakset ON LEVITETTÄVÄ kokonaan auki vakauden ja turvallisuuden varmistamiseksi. Jos potilas on nostoliinassa ja hänet on siirrettävä kapean tilan läpi, sulje seisontatukinostimen jalakset tilan läpikulun ajaksi. Kun seisontatukinostin on kuljetettu tilan läpi, levitä jalakset jälleen kokonaan auki.

– Kun potilas on ripustettu siirron aikana nostoliinaan, ÄLÄ vieritä pyöräjalustaa epätasaisilla pinnoilla, jotka saattavat horjuttaa nostinta. Nostin saattaa kaatua. Työnnä tai vedä potilasnostinta aina mastokahvasta.

1. Varmista, että seisontatukinostimen jalakset on levitetty kokonaan auki. Jos eivät ole, levitä jalakset kokonaan auki painamalla LEVITÄ JALAKSET -painiketta käsiohjaimesta.
2. Siirrä seisontatukinostin pois tasolta, jolta potilas nostettiin.
3. Siirrä potilas hitaasti halutulle tasolle.

6 Potilaan siirtäminen

6.1 Turvallinen siirto



VAROITUS!

- ÄLÄ ylitä potilasnostimen enimmäispainorajaa (turvallinen työskentelykuorma, SWL), joka on 159 kg (25 paunaa). Potilaan enimmäispaino on 159 kg (25 paunaa).
- ÄLÄ yritä siirtää potilasta ilman terveydenhuollon ammattilaisen lupaa. Lue huolellisesti tämän käyttöoppaan ohjeet ja tarkkaile, miten koulutetut asiantuntijat nostavat potilasta. Harjoittele sitten nostamista alusta loppuun asti useamman kerran asianmukaisen valvonnan alaisuudessa ei-liikuntakyvyttömän henkilön esittäessä potilasta. Koulutusta voidaan tarjota. Lisätietoja saat paikallisesta Invacaren toimistosta.
- ÄLÄ liikuta potilasta, jos nostoliinaa ei ole kiinnitetty kunnolla seisontatukinostimen kiinnityskohtiin. Tarkista ennen potilaan liikuttamista, että nostoliina on kiinnitetty kunnolla seisontatukinostimen kiinnityskohtiin. Jos kiinnitykset eivät ole asianmukaisesti paikoillaan, korjaa ne. Kun nostoliinaa on nostettu muutama sentti/tuuma kiinteältä pinnalta ennen potilaan siirtämistä, tarkista uudelleen, että nostoliinan kaikki kiinnitykset ovat kunnolla paikoillaan. Jos kiinnitykset eivät ole kunnolla paikoillaan, laske potilas takaisin paikallaan pysyvälle pinnalle ja korjaa ongelma. Muutoin potilas saattaa loukkaantua.



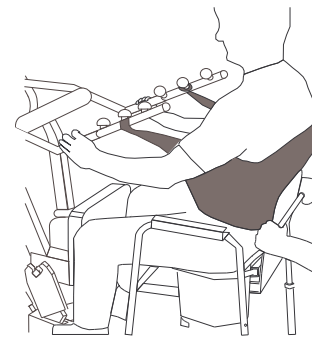
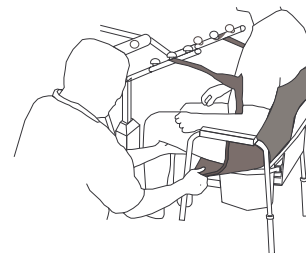
VAROITUS!

- Turvallisuus- ja käyttömukavuussäädöt on tehtävä ennen potilaan siirtämistä. Potilaan käsien on oltava hihnojen ulkopuolella.
- Käytä terveydenhuollon ammattilaisen suosittelemaa nostoliinaa, joka takaa nostettavan potilaan käyttömukavuuden ja turvallisuuden.


**VAROITUS!**

- ÄLÄ lukitse seisontatukinostimen takapyöriä henkilön nostamisen aikana. Takapyörien lukitseminen saattaa aiheuttaa seisontatukinostimen kaatumisen ja potilaan ja avustajien vaarantumisen.
- Seisontatukinostimen jalat ON LEVITETTÄVÄ kokonaan auki vakauden ja turvallisuuden varmistamiseksi. Jos potilas on nostoliinassa ja hänet on siirrettävä kapean tilan läpi, sulje seisontatukinostimen jalat tilan läpikulun ajaksi. Kun seisontatukinostin on kuljetettu tilan läpi, levitä jalat jälleen kokonaan auki. Jos nostinta on käytettävä sängyn alla ja seisontatukinostimen jalaksia on vedettävä kiinni, vedä jalvoja sisäänpäin vain siihen asti, kunnes seisontatukinostin on potilaan yläpuolella, ja kohota potilasta sängystä. Kun seisontatukinostimen jalat eivät enää ole sängyn alla, levitä ne kokonaan auki.
- Muista tarkistaa nostoliinan kiinnitykset sen poiston ja vaihtamisen yhteydessä. Näin varmistat nostoliinan kunnollisen kiinnityksen, kun potilas siirretään tasolta.

Terveystenhoitoalan ammattilainen arvioi kunkin yksittäisen tapan osalta, riittääkö laitteen käyttöön yksi avustaja.

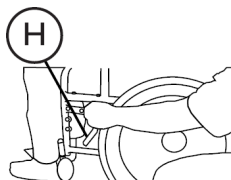
6.2 Siirtäminen suihkutuoliin**Yksityiskohta A****Yksityiskohta B****Yksityiskohta C****VAROITUS!**

- Invacare suosittelee potilasnostimen takakääntöpyörien lukitsemista vain silloin, kun nostoliina asetetaan potilaan ympärille tai poistetaan potilaan ympäriltä.

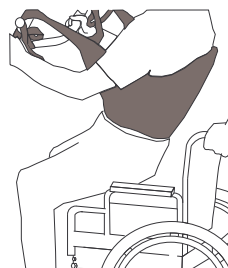
1. Nosta potilas sängyn laidalta.
 2. Paina käsiohjaimen UP-painiketta ja nosta potilas riittävän korkealle suihkutuolin käsiinoista. Seisontatukinostin kannattelee heidän painoaan.
 3. Ohjaa potilas suihkutuoliin. Tähän saatetaan tarvita kaksi avustajaa.
 4. Laske potilas suihkutuoliin painamalla alanuolipainiketta.
 5. Lukitse seisontatukinostimen takakääntöpyörät.
 6. Valitse yksi seuraavista nostoliinan tyylin mukaan:
 - Seisontatukinostoliina – irrota seisontatukinostoliina kiinnityskohdistaan seisontatukinostimeen.
 - Siirrettävä seisontatukinostoliina –
 - a. Irrota siirrettävä seisontatukinostoliina pohjan kiinnityskohdistaan seisontatukinostimeen.
 - b. Nosta potilaan jalkoja ja irrota reisuuet potilaan alta.
 - c. Haluttaessa voit irrottaa siirrettävän seisontatukinostoliinan päällimmäisistä kiinnityskohdistaan seisontatukinostimeen.
-  Potilas voi olla seisontatukinostoliinan yläosassa, kun suihkutuolia käytetään.
7. Ohjeista tai avusta potilasta nostamaan jalkansa pois jalkalevyltä.
 8. Poista nostoliina potilaan ympäriltä.
 9. Vapauta takapyörät ja vedä seisontatukinostin pois suihkutuolin luota.
 10. Kun suihkutuolin käyttö on lopetettu, tarkista uudelleen nostoliinan oikea kiinnitys.

6.3 Siirtäminen pyörätuoliin

Yksityiskohta A





Yksityiskohta B



Yksityiskohta C



  = pyörätuolin jarru

1. Varmista, että potilaan ollessa nostoliinassa nostimen jalakset on levitetty kokonaan auki. Levitä jalakset täysin auki pitämällä jalasten levityspainiketta painettuna.
2. Siirrä pyörätuoli oikeaan paikkaan.
3. Lukitse pyörätuolin jarrut, jotta pyörätuoli ei liiku (yksityiskohta A).



VAROITUS!

– ÄLÄ laske potilasta pyörätuoliin, jos jarrut eivät ole lukittuna. Pyörätuolin jarrujen on EHDOTTOMASTI oltava lukitussa asennossa ennen potilaan laskemista pyörätuoliin kuljetusta varten. Muussa tapauksessa seurauksena voi olla loukkaantuminen.

4. Aseta potilas pyörätuolin ylle (Yksityiskohta B).
5. Paina alanuolipainiketta ja laske potilas pyörätuoliin.



VAROITUS!

– Lukitse potilasnostimen takakääntöpyörät VAIN silloin, kun nostoliina (seisontatuki- tai siirtoseisontatuki) asetetaan potilaan ympärille tai poistetaan potilaan ympäriltä. Muussa tapauksessa seurauksena voi olla loukkaantuminen.

6. Lukitse takakääntöpyörät.
7. Irrota siirrettävä seisontatukinostoliina kaikista kiinnityskohdistaan seisontatukinostimeen (yksityiskohta C).

8. Ohjeista potilasta nostamaan jalkansa pois jalkalevyttä. Avusta potilasta tarvittaessa.
 9. Poista nostoliina potilaan ympäriltä.
 10. Vapauta takapyörät ja vedä seisontatukinostin pois pyörätuolin luota.
6. Poista seisontatuki tai siirtoseisontatuki potilaan ympäriltä.
 7. Vapauta takapyörät ja vedä seisontatukinostin pois sängyn viereltä.

6.4 Siirtäminen vuoteeseen



Vakautta lisäävä alempi vetovoima saa potilaan tuntemaan olonsa turvallisemmaksi, ja nostinta on helpompi liikuttaa.

1. Aseta potilas mahdollisimman pitkälle sängyn yläpuolelle.



Jos potilas siirretään tasolta, joka on sänkyä alempana, paina UP-nuolipainiketta (ylös) potilaan nostamiseksi sängyn tason yläpuolelle. Nosta potilasta vain sen verran, että kohotat hänet sängystä esteettömästi. Nostimen on kannatettava potilaan koko painoa.

2. Paina alanuolipainiketta ja laske potilas sängylle.



VAROITUS!

– Invacare suosittelee potilasnostimen takakääntöpyörien lukitsemista VAIN silloin, kun nostoliina asetetaan potilaan ympärille tai poistetaan potilaan ympäriltä.

3. Lukitse takakääntöpyörät.
4. Irrota tukinostin tai siirtotukinostoliina kaikista kiinnityskohdistaan seisontatukinostimeen.
5. Ohjeista potilasta nostamaan jalkansa pois jalkalevyttä.




Avusta potilasta tarvittaessa.

7 Vianmääritys

7.1 Vianmääritystaulukko

| OIREET | VIAT | RATKAISU |
|--|--|---|
| Nivelakseleista kuuluu voimakas tai kuiva ääni. | Voitelua tarvitaan. | Katso <i>Nostimen voitelu</i> . |
| Sähköinen toimilaite ei pysty nostamaan, kun painetaan painiketta. | Käsiohjaimen tai toimilaitteen liitäntä on löysä. | Yhdistä käsiohjaimen tai toimilaitteen liitäntä. Varmista, että liittimet ovat asianmukaisesti paikallaan ja täysin liitettyjä. |
| | Akun varaustaso on matala. | Lataa akut. Katso <i>4.7 Akun lataaminen, sivu 155</i> |
| | PUNAINEN hätäpysäytyspainike painettu SISÄÄN. | Kierrä PUNAISTA hätäpysäytyspainiketta MYÖTÄPÄIVÄÄN, kunnes se ponnahtaa ulos. |
| | Akkua ei ole liitetty kunnolla ohjainkoteloon. | Yhdistä akku uudelleen ohjainkoteloon. Katso <i>4.7 Akun lataaminen, sivu 155</i> |
| | Liitäntäpäätteet ovat vahingoittuneet. | Vaihda akku. Katso <i>4.7 Akun lataaminen, sivu 155</i> |
| | Huoltoa tai kuormaa edellyttävä sähköinen toimilaite on liian korkealla. | Katso <i>8.7 Sähköisen toimilaitteen vaihtaminen, sivu 176</i> Ota yhteyttä paikalliseen Invacaren jälleenmyyjään tai edustajaan. |
| Nostovarren toimilaitteesta kuuluu epätavallista ääntä. | Toimilaite on kulunut tai vahingoittunut tai kara on vääntynyt. | Katso <i>8.7 Sähköisen toimilaitteen vaihtaminen, sivu 176</i> Ota yhteyttä paikalliseen Invacaren jälleenmyyjään tai edustajaan. |

| OIREET | VIAT | RATKAISU |
|---|---|---|
| Nostovarret eivät laskeudu ylimmästä asennosta. | Nostovarret tarvitsevat vähimmäispainokuorman, jotta ne voidaan laskea ylimmästä asennosta. | Vedä nostovarsia hieman alas. |
| Jalokset eivät avaudu ja sulkeudu kunnolla. | Jalustan saattaa tarvita säätämistä. | Katso <i>8.6 Alustan säätäminen, sivu 175</i> |

 Jos ongelmia ei saada korjattua ehdotetuilla tavoilla, ota yhteyttä jälleenmyyjään tai Invacareen.

8 Huolto

8.1 Huolto ja turvallisuustarkastus: tarkastuslista



VAROITUS!

- VAIN pätevä henkilöstö saa tehdä kunnossapitotoimet.
- Pätevän henkilön on varmistettava, että tuotteen lujuus ja vakaus säilyvät riittävinä kaikkiin tehtäviin, jos osia korvataan.
- ÄLÄ kiristä kiinnitysosia liikaa, tämä vahingoittaa kiinnikkeitä.



Noudata tässä käyttöoppaassa kuvattuja huoltomenettelyjä, jotta potilasnostinta voi käyttää jatkuvasti.

Invacaren potilasnostimen tarkoituksena on varmistaa mahdollisimman turvallinen, tehokas ja tyydyttävä huolto, joka vaatii mahdollisimman vähän hoitoa ja ylläpitoa.

Invacaren nostimen kaikki osat on valmistettu parhaasta teräslaadusta, mutta metallin hankautuminen metallia vasten kuluttaa osia pitkäaikaisen käytön jälkeen.

Pyörien säätämis- ja huoltotoimenpiteet kattavat vain puhdistuksen, voitelun sekä akselin ja saranapultin tiukkuuden tarkistamisen. Poista kaikki lika ym. renkaasta ja saranalaakereista. Vaihda kuluneet osat **VÄLITTÖMÄSTI**.

Jos olet epävarma nostimen jonkin osan turvallisuudesta, ota yhteyttä jälleenmyyjään **VÄLITTÖMÄSTI**.

Yhdistyneen kuningaskunnan terveys- ja turvallisuusviranomaisen vuoden 1998 nostotoimenpiteitä ja nostolaitteita koskevissa määräyksissä (LOLER) edellytetään, että kaikille työpaikalla kuorman nostamiseen käytettäville laitteille on tehtävä turvatarkastus kuuden kuukauden välein. Vain soveltuvan koulutuksen saanut henkilö saa suorittaa tarkastuksen. Katso ohjeita terveys- ja turvallisuusviranomaisen sivustosta (www.hse.gov.uk).

Asianmukaisen toiminnan takaaminen edellyttää potilasnostinten ja lisävarusteiden säännöllistä huoltoa. Potilasnostimesta vastaavan henkilön vastuulla on varmistaa, että nämä huoltotoimet suoritetaan.

Ensimmäisten 12 käyttökuukauden jälkeen kaikki saranapisteet ja kiinnikkeet on tarkistettava kulumisen varalta. Jos metalli on kulunut, osat TÄYTYY vaihtaa. Tarkasta osat tämän jälkeen aina kuuden kuukauden käytön jälkeen.

| | |
|--|----------------|
| Tarkistuspäivä: | Nimikirjaimet: |
| PYÖRÄJALUSTA <ul style="list-style-type: none"> <input type="checkbox"/> Tarkista, puuttuuko osia. <input type="checkbox"/> Jalusta avautuu/sulkeutuu helposti. <input type="checkbox"/> Tarkista pyörien ja akselipulttien kireys. <input type="checkbox"/> Tarkista pyörien joustava kääntö ja pyörintä. <input type="checkbox"/> Tarkista, ettei pyörissä ole roskia, ja poista mahdolliset roskat. <input type="checkbox"/> Tarkista, etteivät kääntyvät osat ole kuluneet. | |
| NOSTOLIINAT JA LAITTEET <ul style="list-style-type: none"> <input type="checkbox"/> Varmista kunnollinen kiinnitys ja potilaan turvallisuus tarkistamalla kaikki nostoliinan kiinnikkeet jokaisen käyttökerran yhteydessä. <input type="checkbox"/> Tarkista, että nostoliinamateriaali ei ole kulunut. <input type="checkbox"/> Tarkista, etteivät remmit ole kuluneet. <input type="checkbox"/> Tarkista ompeleet. | |
| SÄHKÖISEN TOIMILAITTEEN KOKOONPANO <ul style="list-style-type: none"> <input type="checkbox"/> Tarkista, ettei kokoonpanossa ole vuotoja. <input type="checkbox"/> Tarkista maston, puomin ja jalustan laitteet. <input type="checkbox"/> Tarkista, ettei kokoonpano ole kulunut tai vaurioitunut. Jos kokoonpano on vahingoittunut, palauta se tehtaaseen. <input type="checkbox"/> Suorita käyttöjakso sähköisen toimilaitteen moitteettoman ja hiljaisen toiminnan varmistamiseksi. | |

NOSTOVARRET JA LIITOS

- Tarkista kaikki laitteet ja liitoskohdat.
- Tarkista, ettei puomi ole vääntynyt tai taipunut.
- Tarkista, etteivät nostovarsien pulttiliitokset ole kuluneet.
- Tarkista, että nostovarret on keskitetty jalustan jalasten väliin.
- Tarkista, etteivät kääntyvät osat ole kuluneet.
- Tarkista, etteivät nostoliinan koukut ole kuluneet tai taipuneet.

MASTO

- Masto on asennettava tiukasti nostovarsiin.
- Tarkista, ettei puomi ole vääntynyt tai taipunut.
- Tarkista, etteivät kääntyvät osat ole kuluneet.

PUHDISTUS

- Aina tarvittaessa.

8.2 Nostoliinan ja nostimen puhdistaminen



VAROITUS!

– Tarkista JOKAISEN (nostoliinan ohjeiden mukaisen) pesukerran jälkeen, ettei nostoliina ole kulunut tai revennyt tai että sen ompeleet eivät ole löystyneet. Hävitä sellainen nostoliina VÄLITTÖMÄSTI, jossa on jokin tällainen vika.

Nostoliinan puhdistaminen

Nostoliina on pestävä säännöllisesti alle 95-asteisella (203 °F) vedellä ja pesuliuksella. Katso pesuohjeet nostoliinan käyttöoppaasta.

Nostimen puhdistaminen ja desinfiointi

Nostolaite on puhdistettava ja desinfioitava jokaisen käyttökerran jälkeen risti-infektion estämiseksi.

Puhdista potilasnostin pehmeällä, veteen kostutetulla liinalla ja vähäisellä määrällä mietoa puhdistusainetta. Älä käytä hankaavia puhdistusaineita.

Älä koskaan puhdista nostinta hapolla, lipeällä tai liuottimella. Kuivaa nostin huolellisesti puhdistuksen jälkeen.

Moottorit, ohjainyksikkö ja asennettavat osat voivat vahingoittua, jos nostinta ei puhdisteta edellä mainitulla tavalla.

Nostin on pyyhittävä kostutetulla, hyvin vedestä puristetulla liinalla käyttämällä tavallista kodin desinfiointiainetta. Käytä vain valmistajan hyväksymiä desinfiointiaineita.

8.3 Uudelleenkäyttö

Tämä tuote sopii käytettäväksi uudelleen. Tuotteen kunnosta riippuu, miten monta kertaa sitä voidaan käyttää uudelleen.

Potilasnostin ja nostoliinat on puhdistettava jokaisen käyttökerran jälkeen infektion estämiseksi. Katso ennen uudelleenkäyttöä kohta *Nostoliinan ja Nostimen puhdistaminen*.

8.4 Kulumien ja vaurioiden havaitseminen

Muista tarkistaa kaikki kuormitettavat osat, kuten nostoliinat, nostovarsi ja kaikki nostoliinoiden tapit, murtumisen, kulumisen, vääntymisen tai vahingoittumisen varalta. Vaihda kaikki vioittuneet osat VÄLITTÖMÄSTI ja varmista, että nostinta ei käytetä, ennen kuin korjaukset on tehty.

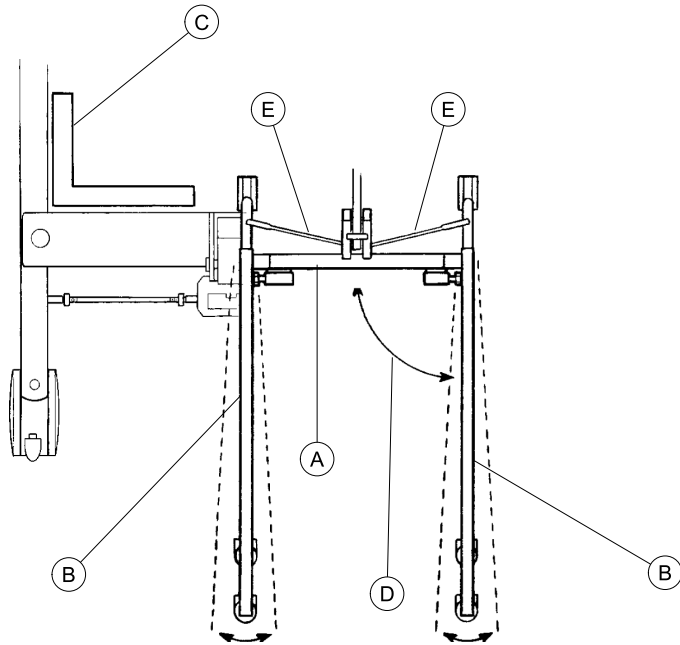
8.5 Nostimen voitelu

Invacare-nostin on suunniteltu siten, että se vaatii vain vähän huoltoa. Se toimii turvallisesti ja luotettavasti, jos tarkistat ja voitelet sen puolen vuoden välein.

Pidä nostin ja nostoliinat puhtaina ja ehjinä. Kaikki viat on pantava merkille ja niistä on ilmoitettava mahdollisimman pian jälleenmyyjälle.

Pyörien ON käännyttävä ja pyörittävä joustavasti. Pyörien pallolaakereita voi voidella kevyellä rasvalla (vedenpitävällä automaattivoiteluaineella) kerran vuodessa. Lisää rasvaa useammin, jos pyöriä käytetään hyvin kosteissa oloissa.

8.6 Alustan säätäminen



Jalustaa **A** säädetään vain nivelkarojen säätämiseksi.

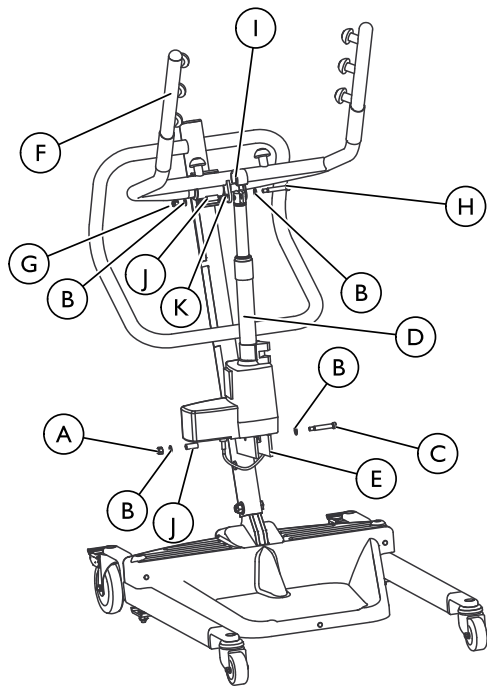
- ! Nostin saattaa vaurioitua.
 - Jalasten on oltava täysin lukitussa asennossa ennen nivelkarojen säätämistä.

1. Vedä jalakset kokonaan kiinni. Katso *4.2.1 Manuaalisten jalasten kiinnivetäminen/levittäminen, sivu 151*
2. Tarkista, että jalakset **B** ovat kiinnivedettyinä nelikulmaisessa asennossa.

3. Aseta kulmamittain **C** jalasten ja jalustan sisäpuolelle ja määritä 90°:n kohdistus **D**.
4. Säädä nivelkaroja **E**, kunnes niiden kohdistus on 90°.

- ! Nostin saattaa vaurioitua.
 - ÄLÄ säädä nivelkaroja siten, että niiden kohdistus on alle 90°.

8.7 Sähköisen toimilaitteen vaihtaminen



| | |
|------------------------|--------------|
| Ⓐ Alamutteri | Ⓔ Ylämutteri |
| Ⓑ Aluslevy | Ⓕ Pultti |
| Ⓒ Nostopultti | Ⓖ Kiinnitin |
| Ⓓ Sähköinen toimilaite | Ⓙ Holkki |

| | |
|-------------------|------------------------|
| Ⓔ Maston kiinnike | Ⓚ Nostovarren kiinnike |
| Ⓕ Nostovarsi | |

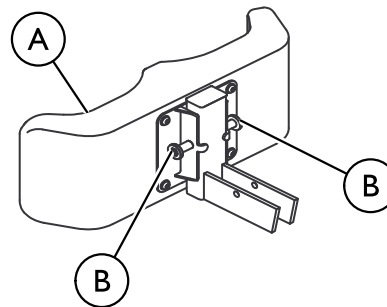


VAROITUS!

– ÄLÄ kiristä kokoonpanolaitteistoa liikaa. Se vaurioittaa kiinnikkeitä.

1. Irrota alamutteri, aluslevy, nostopultti ja holkki, jotka kiinnittävät sähköisen toimilaitteen mastokiinnikkeeseen.
2. Anna nostovarren levätä olkapäälläsi ja irrota ylämutteri, pultti, kiinnike, holkki ja aluslevy nostovarren kiinnikkeestä.
3. Irrota sähköinen toimilaite.
4. Asenna uusi sähköinen toimilaite toistamalla VAIHEET 1–3 päinvastaisessa järjestyksessä.

8.8 Polvituen korkeuden säätäminen



| | |
|-------------|--------------|
| Ⓐ Polvituki | Ⓑ Säätötapit |
|-------------|--------------|

**VAROITUS!**

- ÄLÄ KOSKAAN säädä polvitukea, kun potilas on pystyasennossa.
- ÄLÄ KOSKAAN yritä säätää polvitukea nostimen liikkussa.
- Varmista AINA ennen käyttöä, että säätötapit ovat kiinni niitä vastaavissa korkeudensäätöreissä.

1. Valitse korkeusasetus, joka on mukava potilaalle ja antaa tarvittavan tuen.



Polvituki on asetettava niin, että jalan polviosa osuu tukeen.

2. Vedä molempia säätötappeja ulospäin molemmilla käsillä samaan aikaan.
3. Aseta polvituki haluttuun korkeuteen ja vapauta säätötapit vastaaviin säätöreikiin.
4. Varmista, että molemmat tapit ovat kiinni.


9 Tekniset Tiedot

9.1 Potilasseisontatukinostimet RPS3501E ja RPS3501FR

| | |
|--|---|
| Nostoliinan enimmäisripustuskorkeus: | 168 cm |
| Nostoliinan vähimmäisripustuskorkeus: | 102 cm |
| Jalustan leveys (avattuna): | 94 cm |
| Jalustan leveys (suljettuna): | 66 cm |
| Jalustan korkeus (vapaa väli): | 11,5 cm |
| Jalustan pituus | 90 cm |
| Kokonaiskorkeus | 125 cm |
| Kokonaispituus | 99 cm |
| Kokonaisleveys | 65,5 cm |
| Pyörän koko (ETU/TAKA) | 8 cm / 13 cm |
| Nostoliinavaihtoehdot | Seisontatuki tai siirrettävä seisontatukinostoliina |
| Nostoliinan materiaali | Polyesteri |
| Enimmäispainoraja (turvallinen työskentelykuorma) (potilas + nostoliina + nostovarret) | 159 kg (25 paunaa) |
| Potilaan enimmäispaino | 159 kg (25 paunaa) |

| | |
|--|---|
| Kokonaispaino (ilman pakkausta) | 49 kg (8 paunaa) |
| Akku (lähtöjännite) | 24V DC mb max. 240VA (RCHBL) |
| Laturin tulo (syöttöjännite): | 100–240V AC ~ 50/60 Hz |
| Laturin lähtöteho/latausaika | 29,5 V DC 2,9 Ah maks. 6 h |
| Akun alhaisen varaustilan ääni/kuvahälytys: | Kyllä |
| Moottorin turvallisuuslaitteet | Liukumisenesto |
| *Noin Nostot latauksella (työskentelykapasiteetti) | *100–200 jaksoa/lataus |
| Suurin tulovirta | Enint. 400 mA |
| Käyttölämpötila | 5°–40 °C |
| Ilmankosteus | 20–90 % 30 °C:ssa, ei-tiivistyvä |
| Äänenpaine | <50 dB |
| Ilmanpaine | 700–1 060 hPa |
| Säilytyslämpötila | yli 0 °C |
| Säilytysilmankosteus | alle 60 % |
| Säilytysilmanpaine | 700–1 060 hPa |
| Suojausluokka, ohjainyksikkö | IPX4 |
| Suojausluokka, käsiohjain | IPX4 |
| Suojausluokka, moottori | IPX4 |
| Eristysluokka | Luokan II laite, tyyppiä B koskettava osa |

| | |
|---|---|
| Jaksot | 10 %, enintään 2 minuuttia / 18 minuuttia |
| Akun kapasiteetti | 2,9 Ah |
| Manuaalinen hätälaskeminen | Kyllä |
| Sähköinen hätälaskeminen/-nostaminen | Kyllä/Kyllä |
| Odotettu käyttöikä | 8 vuotta |
| Nostonopeus | Nostin läpäisee ENISO10535:n nostamisen ja laskemisen nopeuden (<0,15 m/s maksimilastauksella ja <0,25 m/s lastaamattomana) |

 * Vaihtelee lastauksen ja liikkeen mukaan.

Sommaire

Ce manuel DOIT être remis à l'utilisateur du produit. Lire ce manuel AVANT d'utiliser ce produit, et le conserver en cas de besoin.

| | |
|--|------------|
| 1 Généralités | 182 |
| 1.1 Symboles | 182 |
| 1.2 Utilisation prévue | 183 |
| 1.2.1 Contre-indications | 184 |
| 1.3 Éléments inclus | 185 |
| 1.4 Durée de vie | 186 |
| 1.5 Informations de garantie | 186 |
| 2 Sécurité | 187 |
| 2.1 Consignes générales | 187 |
| 2.2 Informations relatives au fonctionnement | 187 |
| 2.2.1 Généralités | 188 |
| 2.2.2 Positionnement | 189 |
| 2.2.3 Mise au rebut | 189 |
| 2.3 Interférences radio-électriques | 190 |
| 2.4 Étiquetage du produit | 191 |
| 3 Réglages (Mise en service) | 192 |
| 3.1 Sécurité du montage | 192 |
| 3.2 Montage de l'ensemble du mât au socle | 193 |
| 3.3 Préparation de l'emploi du lève-personne | 193 |
| 3.4 Installation de la manette de commande | 194 |
| 3.5 Fixation au mur du support de montage du chargeur de la batterie | 194 |
| 4 Utilisation | 196 |
| 4.1 Introduction | 196 |
| 4.2 Ouverture/fermeture des pieds | 196 |
| 4.2.1 Fermeture/ouverture des pieds manuelle | 196 |
| 4.3 Bloquer/débloquer les roulettes arrière | 197 |
| 4.4 Élévation et descente du lève-personne | 197 |
| 4.4.1 Élévation et descente du lève-personne électrique | 197 |
| 4.5 Activation d'un déverrouillage mécanique d'urgence | 198 |

| | |
|---|------------|
| 4.5.1 Déverrouillage d'urgence principal | 198 |
| 4.5.2 Déverrouillage d'urgence secondaire | 199 |
| 4.6 Procédure d'arrêt d'urgence | 199 |
| 4.7 Chargement de la batterie | 200 |
| 4.7.1 Témoin de batterie | 200 |
| 4.7.2 Chargement de la batterie à l'aide d'un cordon d'alimentation | 202 |
| 4.7.3 Chargement de la batterie à l'aide du chargeur de batterie | 203 |
| 5 Soulèvement du patient | 204 |
| 5.1 Sécurité du soulèvement | 204 |
| 5.2 Préparation au soulèvement | 206 |
| 5.3 Levage du Patient | 208 |
| 5.4 Transfert du Patient | 210 |
| 6 Transfert Du Patient | 211 |
| 6.1 Sécurité du soulèvement | 211 |
| 6.2 Transfert vers une chaise | 212 |
| 6.3 Transfert vers un fauteuil roulant | 214 |
| 6.4 Transfert vers un lit | 215 |
| 7 Dépannage | 216 |
| 7.1 Tableau de dépannage | 216 |
| 8 Maintenance | 218 |
| 8.1 Liste de vérifications de sécurité | 218 |
| 8.2 Nettoyage de la sangle et du lève-personne | 219 |
| 8.3 Réutilisation | 220 |
| 8.4 Détection de l'usure et des dommages | 220 |
| 8.5 Lubrification du lève-personnes | 220 |
| 8.6 Réglage du socle | 221 |
| 8.7 Remplacement de le vérin électrique | 222 |
| 8.8 Ajustement de la hauteur du cale-genou | 222 |
| 9 Caractéristiques Techniques | 224 |
| 9.1 Lève-personne verticalisateur RSP350-1E et RPS350-1FR | 224 |

1 Généralités

1.1 Symboles

Les termes d'avertissement utilisés dans le présent manuel s'appliquent aux risques ou aux pratiques dangereuses qui pourraient provoquer des blessures ou des dommages matériels. Reportez-vous aux informations ci-dessous pour la définition des termes d'avertissement.



AVERTISSEMENT !

– Avertissement indique une situation potentiellement dangereuse qui, si elle n'est pas évitée, est susceptible de provoquer des blessures graves ou la mort.



ATTENTION !

– Attention indique une situation potentiellement dangereuse qui, si elle n'est pas évitée, peut résulter dans des dommages matériels et/ou des blessures légères.



IMPORTANT

– Indique une situation dangereuse qui, si elle n'est pas évitée, est susceptible de provoquer des dommages matériels.



Donne des conseils, recommandations et informations utiles pour une utilisation efficace et sans souci.



Date de fabrication.



Ce produit est conforme à la Directive 93/42/CEE sur les dispositifs médicaux.

La date de lancement de ce produit est indiquée dans la déclaration de conformité CE.



Lisez le manuel



Alarme sonore lorsque la batterie est faible. Reportez-vous à la section 4.7 *Chargement de la batterie*, page 200



Verrou de roulette.



Ouvrez/fermez les pieds



Soulevez/abaissez le bras



Arrêt d'urgence



Charge de fonctionnement en sécurité



Équipement de classe II, double isolation



Pièce appliquée de type B



Recyclez ce produit. Reportez-vous à la section 2.2.3 *Mise au rebut*, page 189

1.2 Utilisation prévue



AVERTISSEMENT !

Risque de chute

Le lève-personne mobile Invacare n'est PAS un dispositif de transport. Il est conçu pour transférer une personne d'une surface de repos à une autre (par exemple, d'un lit à un fauteuil roulant).

Les sangles et accessoires pour lève-personne Invacare sont spécialement adaptés à une utilisation en combinaison avec les lève-personne Invacare.

Pour éviter toute blessure ou toute chute :

- Les patients transférés et positionnés au moyen du lève-patient station debout DOIVENT accepter de coopérer, être cohérents et en mesure de contrôler leur tête et leur cou. Sinon, il existe un risque de blessure.
- Les patients transférés et positionnés au moyen de la sangle station debout DOIVENT être en mesure de supporter une partie importante de leur propre poids. Le non-respect de cette consigne risque de provoquer des blessures ou des dommages matériels. Consultez le manuel d'utilisation de la sangle pour plus d'informations.

Les lève-patient station debout sont des appareils de transfert alimentés par batterie, conçus pour être utilisés dans les situations de levage les plus courantes, comme, par exemple :

- entre le lit et un fauteuil roulant ;

- vers et depuis les toilettes ;

Le lève-patient station debout doit exclusivement s'utiliser pour soulever des patients dont le poids n'excède pas la limite maximum indiquée dans les données techniques.

La sélection des sangles et accessoires appropriés pour chaque individu est capitale pour garantir la sécurité lors de l'utilisation d'un lève-personne. Reportez-vous aux manuels d'utilisation des sangles et des accessoires Invacare pour plus d'informations sur ces dispositifs.

Invacare recommande le transfert du patient sur une chaise de douche ou autre dispositif de bain.

Il est possible de faire tourner (pivoter) le lève-patient station debout sur place pour les transferts dans les espaces réduits.

1.2.1 Contre-indications

Le lève-patient station debout est contre-indiqué pour les patients qui :

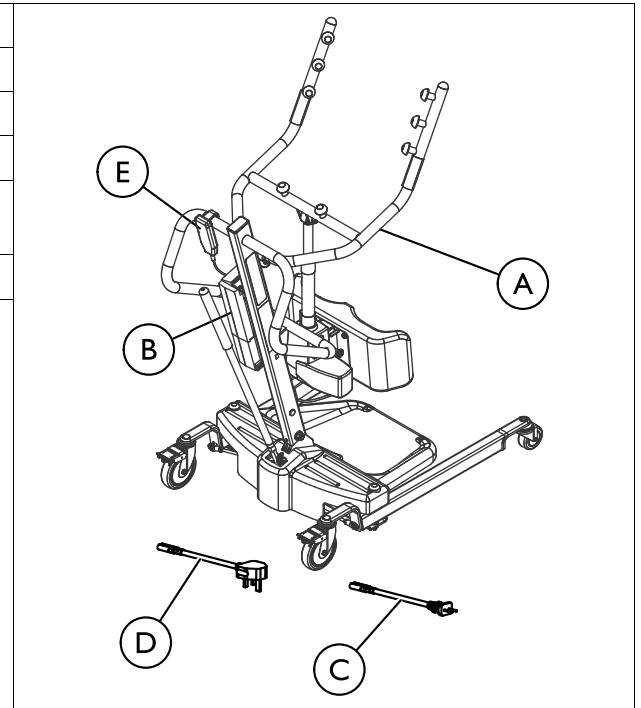
- refusent de coopérer,
- ne sont pas cohérents,
- ne sont pas en mesure de contrôler leur tête et leur cou.

Certaines sangles conçues pour le lève-patient station debout sont contre-indiquées pour les patients qui ne sont pas en mesure de supporter une partie importante de leur poids. Consultez le manuel d'utilisation de la sangle pour plus d'informations.

1.3 Éléments inclus

Les éléments répertoriés dans les tableaux qui suivent sont inclus avec votre système. Les sangles sont vendues séparément. Le chargeur mural peut être vendu séparément.

| Item | Description | Quantity |
|------|--|----------|
| A | Dispositif de levage | 1 |
| B | Batterie | 1 |
| C | Câble de recharge, EU | 1 |
| D | Câble de recharge, RU (RPS350-1E uniquement) | 1 |
| E | Télécommande | 1 |
| F | Manuel d'utilisation du lève-personne (non représenté) | 1 |



1.4 Durée de vie



AVERTISSEMENT !

Risque de blessure ou de dommage matériel

Un défaut de maintenance du produit est susceptible d'entraîner des blessures et un dysfonctionnement ou une détérioration du produit.

Un montage inadéquat est susceptible d'entraîner des blessures ou des dégâts matériels.

L'utilisation ou le remplacement (maintenance) de pièces inadéquates est susceptible d'entraîner des blessures ou des dommages matériels.

- Le montage et l'entretien DOIVENT être confiés à un technicien qualifié.
- L'entretien régulier des lève-personnes et des accessoires est nécessaire afin d'assurer un bon fonctionnement.
- Seules des pièces Invacare doivent être utilisées pour le montage de ce lève-personne. La base, les pieds, le mât, la flèche ou les fléaux et la pompe ou l'ensemble vérin sont fabriqués selon des caractéristiques techniques assurant un alignement précis de toutes les pièces afin d'assurer un fonctionnement sûr.
- Veillez à TOUJOURS indiquer le numéro de série du lève-personne lorsque vous commandez des pièces de rechange.
- NE serrez PAS excessivement le matériel de fixation. Vous risqueriez d'endommager le support de montage.

La durée de vie attendue du lève-personne mobile est de 8 ans lorsqu'il est utilisé selon l'usage prévu et dans le respect des instructions de sécurité et des intervalles de maintenance stipulés dans le présent manuel. La durée de vie effective du produit peut varier en fonction de la fréquence et de l'intensité d'utilisation.

Durée de vie du vérin

| Nombre d'élévations par jour | Durée de vie du vérin (en années) |
|------------------------------|-----------------------------------|
| 1–2 | 10 |
| 3 | 9 |
| 4 | 6 |
| 5 | 5 |
| 6 | 4 |
| 7–9 | 3 |
| 10–13 | 2 |
| 14–27 | 1 |

1.5 Informations de garantie

Les modalités et conditions de la garantie font partie des modalités et conditions générales spécifiques aux différents pays de vente du produit.

Les coordonnées de votre représentant Invacare local figurent au dos du présent manuel.

2 Sécurité

2.1 Consignes générales

**AVERTISSEMENT !**

– N'utilisez PAS ce produit ou tout autre équipement disponible en option sans avoir lu et compris entièrement ces instructions et toute autre documentation supplémentaire, telle que les manuels d'utilisation, les manuels d'entretien ou fiches d'instructions fournis avec ce produit ou l'équipement en option. Si vous ne comprenez pas les avertissements, mises en garde ou instructions, contactez un professionnel de santé, revendeur ou technicien avant d'essayer d'utiliser cet équipement, sous peine de dommages corporels ou matériels.

AVERTISSEMENT RELATIF AUX ACCESSOIRES

– Les produits Invacare sont spécialement conçus et fabriqués pour être utilisés en combinaison avec les accessoires Invacare.

**AVIS**

– Les informations contenues dans ce document peuvent être modifiées sans préavis.

Vérifiez l'absence de dommages dus au transport sur toutes les pièces avant utilisation. Si les pièces sont endommagées, N'UTILISEZ PAS l'appareil. Contactez le revendeur ou le représentant Invacare pour connaître la marche à suivre.

2.2 Informations relatives au fonctionnement

Cette section du manuel fournit des informations de sécurité générales en rapport avec votre produit. Pour des informations de sécurité spécifiques, reportez-vous à la section correspondante du manuel et aux procédures indiquées dans cette section. Pour connaître les informations de sécurité en rapport avec le montage du lève-personne, par exemple, reportez-vous à la section 3 *Réglages (Mise en service)*, page 192

2.2.1 Généralités



AVERTISSEMENT ! Risque de chute

NE tentez JAMAIS de transfert d'un patient sans l'accord de son médecin, de l'infirmier ou de l'assistant médical. Lisez attentivement les instructions contenues dans le présent manuel d'utilisation, observez une équipe d'experts lors des procédures de soulèvement et exécutez l'ensemble de cette procédure plusieurs fois sous supervision avec un individu en bonne santé jouant le rôle du patient.

- Utilisez votre bon sens lors des procédures de levage. Une attention particulière DOIT être apportée aux personnes souffrant de handicaps, car elles ne seront pas en mesure de coopérer lors des opérations de soulèvement.
- Utilisez toujours la poignée de manœuvre de la potence pour pousser ou tirer le lève-personne.
- Vérifiez les attaches de la sangle chaque fois qu'une sangle est retirée et remplacée, afin de vous assurer qu'elle est bien fixée avant de déplacer le patient à partir d'un objet stationnaire (lit, chaise ou chaise d'aisance).



AVERTISSEMENT !

Risque de blessures ou de dommages matériels

Ce lève-personne peut être utilisé à l'intérieur et à l'extérieur. Certaines surfaces peuvent entraîner une instabilité du lève-personne et provoquer des blessures ou des dommages.

Le lève-personne peut s'utiliser dans une douche ou une salle de bains, mais une humidité excessive risque de l'endommager et d'entraîner des blessures.

- Évitez d'utiliser le lève-personne sur une pente. Invacare recommande d'utiliser le lève-personne sur des surfaces planes exclusivement.
- NE faites PAS rouler la base à roulettes sur des surfaces irrégulières susceptibles de faire basculer le lève-personne.
- N'utilisez PAS le lève-personne dans une douche ou une salle de bains ou dans un environnement soumis à une humidité prolongée.
- Veillez à bien sécher le lève-personne après utilisation.
- NE rangez PAS le lève-personne dans un endroit humide ou s'il n'est pas parfaitement sec. Consultez les plages de température de stockage, d'humidité et de pression indiquées à la section 7.1 *Tableau de dépannage*, page 216
- Assurez-vous régulièrement qu'aucun des composants du lève-personne ne présente de traces de corrosion. Remplacez toutes les pièces usées ou endommagées.

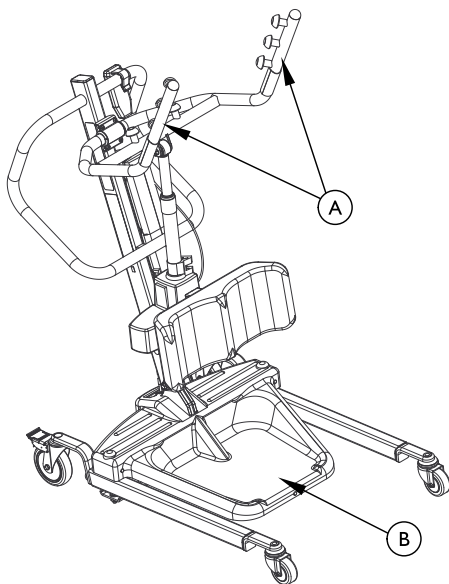
2.2.2 Positionnement



AVERTISSEMENT !

Risque de blessure

- Ne JAMAIS oublier l'existence des bras de levage; autrement, le patient et/ou la tierce pourraient se blesser.
- Ne JAMAIS oublier le repose-pieds, surtout la position du patient sur le repose-pieds; sinon le patient et/ou la tierce pourraient se blesser.



Ⓐ = Bras de levage

Ⓑ = Repose-pieds

2.2.3 Mise au rebut



AVERTISSEMENT !

Risque pour l'environnement

Ce produit a été fourni par un fabricant conscient des enjeux environnementaux qui respecte les normes de la Directive 2012/19/UE sur les déchets d'équipements électriques et électroniques (DEEE).

L'appareil contient des batteries plomb-acide. Ce produit peut contenir des substances nuisibles à l'environnement s'il est jeté dans un endroit (décharge) non conforme à la législation en vigueur.

- NE JETEZ PAS les batteries avec les déchets ménagers. Vous DEVEZ les porter dans un site prévu à cet effet. Contactez votre organisme local de traitement des déchets pour plus d'informations.
- Préservez l'environnement en faisant recycler ce produit en fin de vie.

2.3 Interférences radio-électriques


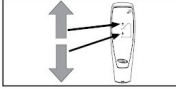
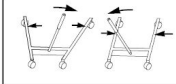
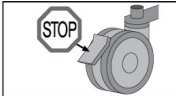
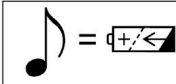



AVERTISSEMENT !

- La plupart des équipements électroniques sont soumis à des interférences radio-électriques. Soyez PRUDENT si vous utilisez un équipement de communication portable à proximité d'un tel équipement. Si les interférences radio-électriques provoquent une instabilité, **METTEZ IMMÉDIATEMENT** l'interrupteur ROUGE en position OFF (arrêt). **NE** remettez PAS l'interrupteur en position ON (marche) pendant la réception du signal.

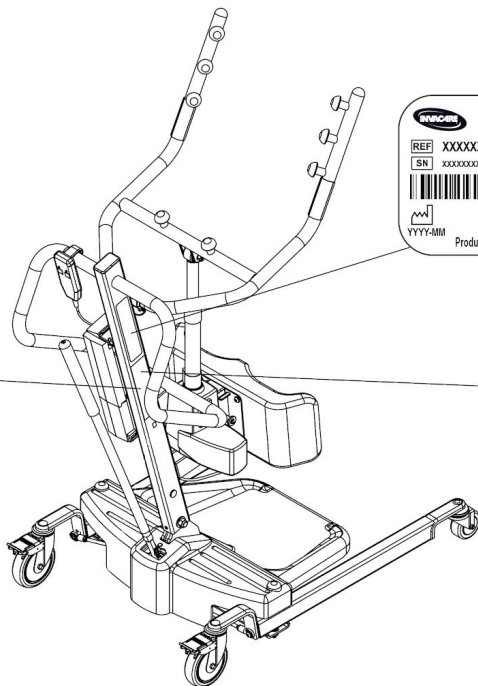
2.4 Étiquetage du produit

SWL
159kg

1171742 Rev B

RPS350-I FR



SWL-CARE Miracare Portugal, Lda
Rua Estrada Vólta 949
4465-784 Leça do Balio, Portugal

ISO 10535 **CE**


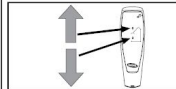
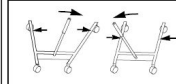
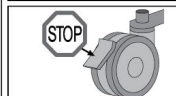
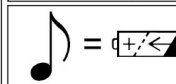

REF XXXXXX XXXXX_XX
SM XXXXXXXXXXXXX
XXXXXXXX XXXX
XXXXXXXX XXXX
XXXXXXXX XXXX
XXXXXXXX XXXX
XXXXXXXX XXXX

Product name

▲ xxx kg




SWL
159kg

1167425 Rev B

RPS350-IE

3 Réglages (Mise en service)

3.1 Sécurité du montage



AVERTISSEMENT !

Risque de blessure

Un montage inadéquat est susceptible d'entraîner des blessures ou des dégâts matériels.

- Le montage DOIT être confié à un technicien qualifié.
- Seules des pièces Invacare doivent être utilisées pour le montage de ce lève-personne. Les composants du lève-personne sont fabriqués selon des caractéristiques techniques assurant un alignement précis de toutes les pièces afin d'assurer un fonctionnement sûr.
- NE serrez PAS excessivement le matériel de fixation. Vous risqueriez d'endommager le support de montage.



Le montage du lève-personne ne nécessite aucun outil.

En cas de problème ou de question lors du montage, adressez-vous à un représentant Invacare local. Refer to the contact information in the back of this manual.

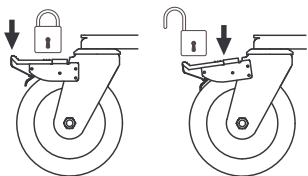
3.2 Montage de l'ensemble du mât au socle



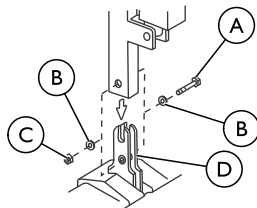
AVERTISSEMENT !


– Utilisez uniquement des pièces d'Invacare pour l'assemblage de ce lève-personne. Les pieds du socle, le mât, la perche, l'assemblage de la pompe et la barre oscillante sont fabriqués selon les spécifications assurant l'alignement correct de toutes les pièces pour un fonctionnement efficace en toute sécurité.

DETAIL A



DETAIL B



1. Placez le socle sur le sol.
 Assurez-vous que les quatre roulettes sont toutes en contact avec le sol.
2. Bloquez les deux roulettes arrière. Consultez le détail " A ".
3. Retirez le boulon de blocage à six pans, les rondelles et l'écrou situés dans la partie découpée en U du socle.
4. Mettez le mât en position verticale.
5. Abaissez le mât sur le support de montage.
6. Fixez le mât au socle à l'aide du boulon de blocage à six pans, des rondelles et de l'écrou. Resserrez solidement.

3.3 Préparation de l'emploi du lève-personne

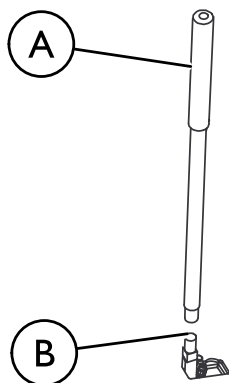
Examinez et resserrez toute la visserie AVANT l'utilisation.

| | |
|----------------------------------|---------------------------|
| (A) Boulon de blocage à six pans | (C) Écrou |
| (B) Rondelle | (D) Support de assemblage |



L'ensemble du mât peut être retiré du socle pour l'entreposer ou le transporter. L'ensemble du mât DOIT être correctement fixé à l'assemblage du socle avant l'utilisation.

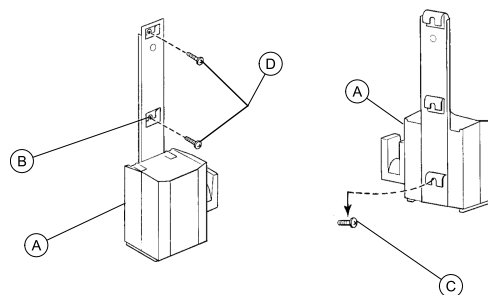
3.4 Installation de la manette de commande



| | |
|-----------------------|----------------------------|
| Ⓐ Manette de commande | Ⓑ Adaptateur mâle en socle |
|-----------------------|----------------------------|

1. Retirez la manette de commande du carton d'emballage.
2. Vissez la poignée sur l'adaptateur mâle du socle.

3.5 Fixation au mur du support de montage du chargeur de la batterie



Reportez-vous à la réglementation locale pour connaître les procédures de montage appropriées.

Cette procédure ne s'applique qu'au modèle RPS350-1E.

1. Placez le chargeur avec son support de montage Ⓐ sur le mur, dans la position souhaitée.
2. À l'aide d'un crayon, faites une marque au centre du trou Ⓑ.
3. Mesurez 16,5 cm à partir du trait de crayon et percez un trou de montage.
4. Installez la vis de montage inférieure © jusqu'à obtenir un écart d'environ 3 mm entre la tête de la vis et le mur.
5. Installez le chargeur de batterie et son support de montage au niveau de la vis de montage inférieure.
6. Percez les deux autres trous de montage.

7. Installez les deux autres vis de montage ⑤ dans le support de montage et dans le mur. Vissez à fond.
8. Branchez le chargeur de batterie dans la prise murale.



La LED ON (mise sous tension) s'allume.

4 Utilisation

4.1 Introduction

L'utilisation du lève-personne est simple et sans danger.



Avant d'utiliser le lève-personne pour un patient, reportez-vous aux procédures suivantes pour connaître les informations et instructions de sécurité à respecter :

- 2.2 *Informations relatives au fonctionnement, page 187*
- 5.3 *Levage du Patient, page 208*

4.2 Ouverture/fermeture des pieds



AVERTISSEMENT ! Risque de blessure

Le lève-personne risque de basculer et de mettre le patient et les assistants en danger.

- Les pieds du lève-personne doivent être complètement ouverts afin d'assurer une stabilité et une sécurité optimales. Si vous devez fermer les pieds du lève-personne pour placer le lève-personne sous un lit, fermez-les aussi longtemps que nécessaire pour positionner l'appareil et soulever le patient hors du lit. Lorsque les pieds du lève-personne ne se trouvent plus sous le lit, ouvrez-les complètement à nouveau.

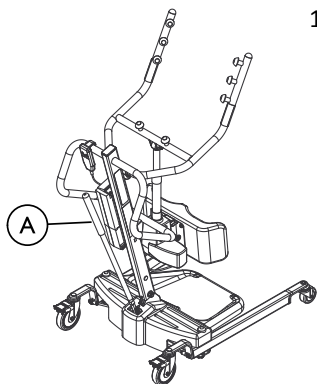
4.2.1 Fermeture/ouverture des pieds manuelle

Le levier de commande permet d'ouvrir ou de fermer les pieds de la base afin de garantir la stabilité lors de l'élévation du patient.




Reportez-vous aux informations de sécurité indiquées dans la section 4.2 *Ouverture/fermeture des pieds, page 196* avant d'exécuter cette procédure.


Ⓐ = Manette de commande



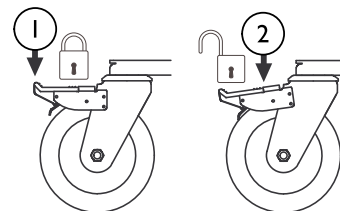
1. Pour fermer les pieds :
Tirez sur la manette vers l'EXTÉRIEUR (OUT) du lève-personne verticalisateur, puis vers votre GAUCHE jusqu'à ce qu'elle se BLOQUE dans l'encoche du support.

 La gauche est déterminée en se tenant derrière le lève-personne verticalisateur, vers les roulettes avant.

2. Pour ouvrir les pieds :
Tirez sur la manette de commande vers l'EXTÉRIEUR (OUT) du dispositif de verticalisation, puis vers votre DROITE jusqu'à ce qu'elle se BLOQUE dans l'encoche du support.

 **REMARQUE:**
La droite est déterminée en se tenant derrière le lève-personne verticalisateur, vers les roulettes avant.

4.3 Bloquer/débloquer les roulettes arrière



1. Appuyez ici pour verrouiller
2. Appuyez ici pour déverrouiller

4.4 Élévation et descente du lève-personne



AVERTISSEMENT ! Risque de blessure

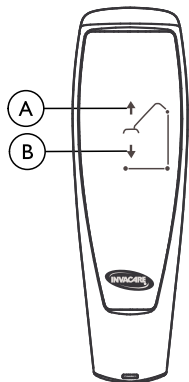
Le lève-personne risque de basculer et de mettre le patient et les assistants en danger.

- Invacare recommande que les roulettes arrière soient déverrouillées lors du soulèvement du patient pour permettre la stabilité du lève-personne lorsque le patient est soulevé à partir d'une chaise, d'un lit ou d'un emplacement fixe.

4.4.1 Élévation et descente du lève-personne électrique



Reportez-vous aux informations de sécurité indiquées dans la section 4.4 *Élévation et descente du lève-personne*, page 197 avant d'exécuter cette procédure.



1. Pour élever le lève-personne : appuyez sur le bouton Flèche haut Ⓐ et maintenez-le enfoncé pour élever le bras et le patient.
2. Pour faire descendre le lève-personne : appuyez sur le bouton Flèche bas Ⓑ et maintenez-le enfoncé pour faire descendre le bras et le patient.

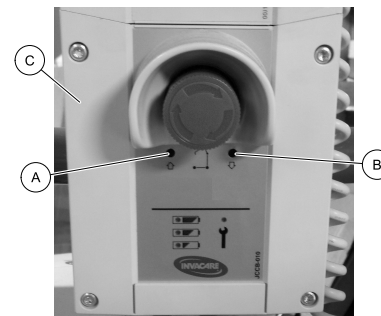


Relâchez le bouton pour arrêter l'élévation ou la descente du lève-personne.

4.5 Activation d'un déverrouillage mécanique d'urgence

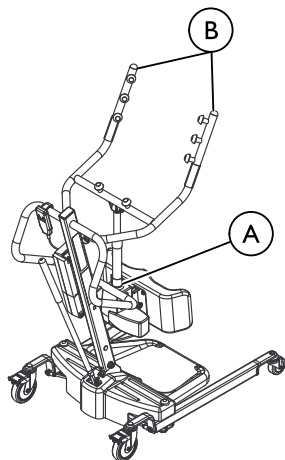
Le lève-personne est équipé de deux types de déverrouillages mécaniques d'urgence : un déverrouillage principal et un déverrouillage secondaire.

4.5.1 Déverrouillage d'urgence principal



1. Insérez un stylo dans le trou en regard de « Urgence Flèche haut » Ⓐ ou « Urgence Flèche bas » Ⓑ du boîtier de commande Ⓒ.

4.5.2 Déverrouillage d'urgence secondaire



Ⓐ Poignée de secours
ROUGE

Ⓑ Bras de levage

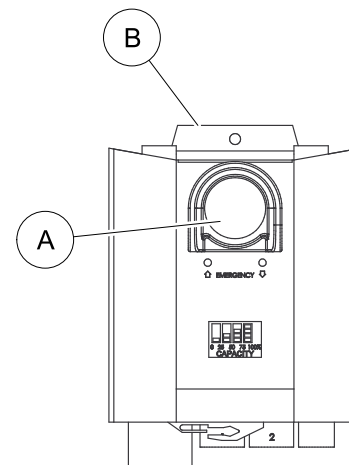


Il est recommandé d'utiliser le déverrouillage d'urgence principal. Le déverrouillage d'urgence secondaire n'est qu'un dispositif de secours du déverrouillage principal.

Le déverrouillage d'urgence secondaire peut être utilisé lorsque le déverrouillage principal ne fonctionne pas ou n'est pas disponible.


1. Tirez la poignée d'URGENCE Ⓐ tout en appuyant simultanément sur les bras de levage Ⓑ.

4.6 Procédure d'arrêt d'urgence




1. Appuyez sur le bouton ROUGE Ⓐ du boîtier de commande Ⓑ pour arrêter l'élévation ou la descente du bras et du patient.
2. Pour réinitialiser, tournez le bouton d'urgence dans le sens des aiguilles d'une montre.

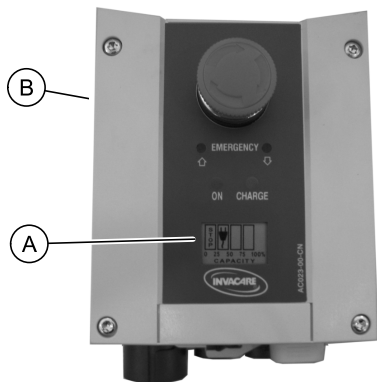
4.7 Chargement de la batterie

 Invacare recommande de charger la batterie chaque jour afin de prolonger sa durée de vie.





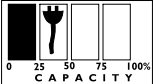
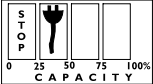
Il existe deux méthodes différentes pour charger la batterie. L'une d'entre elles emploie un cordon d'alimentation se connectant au boîtier de commande; pour l'autre, il faut que la batterie soit montée sur le chargeur de la batterie. Suivez la procédure appropriée pour charger la batterie de votre lève-personnes.

4.7.1 Témoin de batterie

 Cette procédure ne s'applique qu'au modèle RPS350-1FR.



Le témoin de batterie **A** se trouve sur le boîtier de commande **B**. Les LED indiquent l'état de la batterie :


| Control Box Battery Indicator  | Battery State | Description |
|--|---------------------------|--|
|  | Charge complète (100%) | La batterie n'a pas besoin d'être rechargée (charge comprise entre 100 %) |
|  | Charge partielle (75 %) | La batterie n'a pas besoin d'être rechargée (charge comprise entre 75 %) |
|  | Charge partielle (50 %) | La batterie a besoin d'être rechargée (charge inférieure à 50 %). |
|  | Charge insuffisante (25%) | La batterie a besoin d'être rechargée (charge inférieure à 25 %). Un signal sonore est émis lorsque vous appuyez sur un bouton. |
|  | Charge insuffisante (0%) | <p>La batterie a besoin d'être rechargée.</p> <p>Certaines des fonctionnalités du lève-personne ne sont plus accessibles et seul l'abaissement du bras est possible.</p> <p>Une alarme sonore se déclenche (le klaxon émet un signal) lorsque la batterie est faible. Si le signal d'alarme se déclenche au cours d'un transfert, terminez le transfert, puis rechargez la batterie.</p> |

4.7.2 Chargement de la batterie à l'aide d'un cordon d'alimentation



ATTENTION !

– L'arrêt d'urgence ne DOIT PAS être actionné – sans quoi, il est impossible de charger la batterie. Pendant le chargement, le lève-personne ne peut pas être utilisé. NE tentez PAS de déplacer le lève-personne sans avoir débranché le cordon d'alimentation de la prise murale. NE tentez PAS d'utiliser le lève-personne si le boîtier de la batterie est endommagé. Remplacez un boîtier endommagé avant toute nouvelle utilisation.

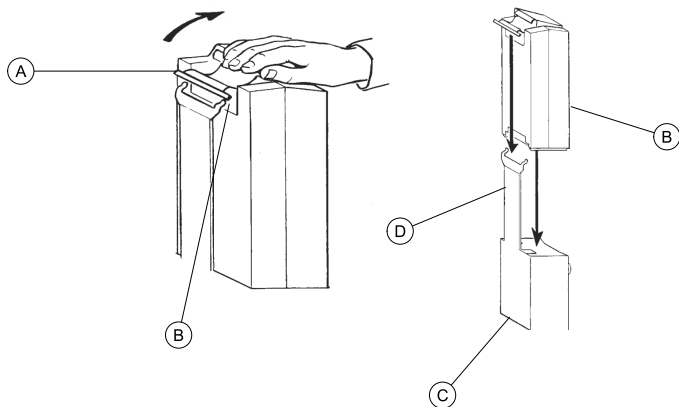
1. Connectez le cordon d'alimentation au boîtier de commande.
2. Branchez le cordon d'alimentation dans une prise de courant.
 -  La batterie se charge en 4 heures environ. Le chargement doit être effectué dans une pièce bien ventilée.
3. Déconnectez le cordon d'alimentation de la prise de courant quand la batterie est complètement chargée.




Cette procédure ne s'applique qu'aux modèles RPS350-1FR.

Ⓐ = Le câble du chargeur se raccorde ici.

4.7.3 Chargement de la batterie à l'aide du chargeur de batterie



 Cette procédure ne s'applique qu'au modèle RPS350-1E.

1. Tirez sur la poignée **A** à l'arrière de la batterie **B**.
2. Soulevez la batterie pour la retirer du boîtier de commande **C**.



ATTENTION !

Un montage incorrect de la batterie est susceptible d'entraîner des blessures ou des dégâts matériels.
– Assurez-vous qu'un déclic se fait entendre lors du montage de la batterie sur le chargeur pour vous assurer qu'elle est bien en place.

3. Placez la batterie sur le chargeur de batterie **D** comme indiqué. Assurez-vous qu'un déclic se fait entendre.



La LED de chargement s'allume. Le chargement terminé, la LED s'éteint.
Le rechargement complet d'une batterie exige environ quatre heures.

4. Tirez sur la poignée à l'arrière de la batterie.
5. Soulevez la batterie pour la retirer du chargeur.



ATTENTION !

Un montage incorrect de la batterie est susceptible d'entraîner des blessures ou des dégâts matériels.

– Assurez-vous qu'un déclic se fait entendre lors du montage de la batterie sur le boîtier de commande pour vous assurer qu'elle est bien en place.

6. Réinstallez la batterie dans le boîtier de commande comme indiqué. Assurez-vous qu'un déclic se fait entendre.



La batterie doit être installée dans le boîtier de commande et dans le chargeur de batterie comme indiqué.

5 Soulèvement du patient

5.1 Sécurité du soulèvement



AVERTISSEMENT !

- NE PAS dépasser la limitation pondérale du lève-personnes (SWL). La limitation pondérale du lève-personnes Roze est de 159 kg.
- NE PAS tenter d'effectuer de transfert sans l'approbation du médecin, de l'infirmière ou de l'assistant médical du patient.
- Gardez TOUJOURS les mains et les doigts éloignés des pièces en mouvement pour éviter les blessures.
- Au cours du transfert, pendant que le patient est suspendu dans la sangle, NE PAS laisser rouler la base du lève-personnes sur des surfaces inégales qui pourraient le rendre instable.
- Utilisez la poignée se trouvant sur l'ensemble du mât EN TOUT TEMPS, pour pousser le lève-personnes ou le tirer.



AVERTISSEMENT !

Levage du patient

- Avant de placer les pieds du lève-personnes verticalisateur autour du patient, assurez-vous que ses pieds ne se trouvent pas sur le repose-pieds; autrement, des blessures pourraient survenir.
- Les réglages destinés à la sécurité et au confort doivent être effectués avant de déplacer le patient. Les bras du patient doivent se trouver à l'extérieur des courroies de la sangle.
- Avant de lever le patient d'un objet stationnaire (chaise roulante, chaise d'aisance ou lit), soulevez légèrement le patient hors de l'objet et vérifiez que toutes les courroies de la sangle sont bien attachées. Si ce n'est pas le cas, déposez le patient pour corriger le problème, puis relevez-le à et vérifiez à nouveau.

**AVERTISSEMENT !****Levage du patient**

- Pendant le transfert, tandis que le patient est suspendu dans une sangle attachée au lève-personnes, NE PAS faire circuler les roulettes sur des surfaces irrégulières, ce qui créerait un déséquilibre du lève-personnes et pourrait faire basculer le patient. Utilisez la poignée de commande sur le mât EN TOUT TEMPS pour pousser le lève-personnes ou le tirer.
- Invacare recommande le blocage des roulettes pivotantes UNIQUEMENT en plaçant ou en retirant la sangle (aide à la station debout ou au transfert) du patient.
- Invacare ne recommande PAS de bloquer les roulettes arrière du lève-personnes lorsqu'on soulève une personne; cela pourrait faire basculer le lève-personnes et mettre en danger le patient et ses assistants. Invacare RECOMMANDE que les roulettes arrière ne soient pas bloquées pendant les procédures de levage, afin de permettre au lève-personnes de se stabiliser quand on commence à soulever le patient d'une chaise, d'un lit ou de tout objet stationnaire.

**AVERTISSEMENT !****Utilisation de la sangle**

- Utilisez la sangle recommandée par le médecin, l'infirmière ou l'assistant médical du patient dans l'intérêt du confort et de la sécurité de la personne qui fait l'objet du levage.
- Les personnes qui utilisent la sangle de verticalisation DOIVENT pouvoir supporter la plus grande partie de leur poids ; autrement, des blessures pourraient survenir.
- Les sangles décolorées, déchirées, effilochées ou coupées sont dangereux et leur utilisation peut entraîner des blessures ou des dommages. Jetez IMMÉDIATEMENT toute sangle défectueuse selon ces critères.
- NE PAS modifier les sangles.
- Assurez-vous bien de vérifier les accessoires des sangles chaque fois que ce dernier est retiré et remplacé, afin de garantir qu'il soit correctement attaché avant de déplacer le patient d'un objet stationnaire (lit, chaise ou un fauteuil roulant).
- Si le patient est sur un fauteuil roulant, bloquez les roues afin de bloquer le fauteuil.

**AVERTISSEMENT !****Sangle de sécurité pour la mise en station debout**

- NE PAS utiliser cette sangle conjointement avec le lève-personnes comme dispositif de transport. Il est prévu pour transférer une personne d'une surface de repos à une autre (comme d'un lit à un fauteuil roulant).
- Avant de lever le patient, assurez-vous que le bord inférieur de la sangle est placé au bas de son dos et que les bras du patient sont à l'extérieur de la sangle de sécurité.
- La ceinture DOIT être solidement attachée, tout en étant confortable pour le patient; autrement, il pourrait glisser hors de la sangle pendant le transfert et pourrait se blesser.

Sangle de transfert

- Avant de lever le patient, assurez-vous que le rebord inférieur de la sangle de transfert soit placé au bas de sa colonne vertébrale et que les bras du patient soient à l'extérieur de la sangle de sécurité.
- NE PAS mettre le patient en station debout complète en utilisant la sangle de transfert; autrement des blessures pourraient survenir.



Pour de plus amples informations, consultez la brochure concernant les sangles.

5.2 Préparation au soulèvement

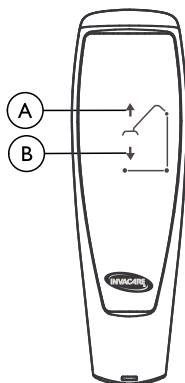
Reportez-vous à la section Sécurité de ce manuel et consultez les informations indiquées dans la section 5.1 *Sécurité du soulèvement*, page 204 avant de continuer, en veillant à tenir compte de toutes les mises en garde.

Avant de positionner les pieds du lève-personne sous un lit, assurez-vous que la zone est exempte d'obstacles.

**AVERTISSEMENT !****Risque de blessure**

Le lève-personne risque de basculer et de mettre le patient et les assistants en danger.

- Les pieds du lève-personne doivent être complètement ouverts afin d'assurer une stabilité et une sécurité optimales. Si vous devez fermer les pieds du lève-personne pour placer le lève-personne sous un lit, fermez-les aussi longtemps que nécessaire pour positionner l'appareil et soulever le patient hors du lit. Lorsque les pieds du lève-personne ne se trouvent plus sous le lit, ouvrez-les complètement à nouveau.



| | |
|--------------------|----------------------|
| Ⓐ Bouton de montée | Ⓑ Bouton de descente |
|--------------------|----------------------|

1. Assurez-vous que les pieds du lève-personne verticalisateur se trouvent en position ouverte au maximum. Sinon, utilisez la manette de commande pour ouvrir les pieds.
2. Placez le lève-personne verticalisateur en utilisant la poignée du mât.
3. Appuyez sur le bouton de descente (DOWN) de la télécommande afin d'abaisser les bras de levage pour qu'ils soient faciles à attacher au sangle.

5.3 Levage du Patient

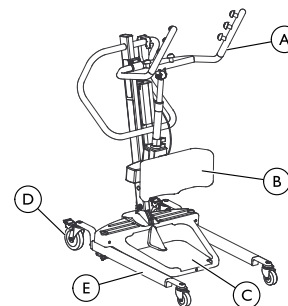


AVERTISSEMENT !

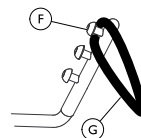
- NE PAS dépasser la limitation pondérale du lève-personnes. La limitation pondérale du lève-personnes est de 159 kg.
- Les personnes qui utilisent la sangle de verticalisation DOIVENT pouvoir supporter la plus grande partie de leur poids; autrement, des blessures pourraient survenir.
- NE PAS bloquer les roulettes arrière du lève-personnes verticalisateur pendant le levage d'une personne; cela pourrait faire basculer le lève-personnes et mettre en danger le patient et ses assistants. Le déblocage des roulettes arrière au cours des procédures de levage permet au lève-personnes de se stabiliser au moment où l'on commence à soulever le patient d'un fauteuil roulant, d'un lit ou de tout objet stationnaire.
- NE PAS déplacer le patient si la sangle n'est pas correctement fixée aux points d'attache du lève-personnes verticalisateur.
- Vérifiez que la sangle est correctement raccordée AVANT de lever le patient. Si certains des points d'attache ne sont pas bien en place, corrigez le problème. Quand la sangle a été levée à quelques cm de la surface immobile et avant de déplacer le patient, vérifiez à nouveau pour vous assurer que la sangle et tous les points d'attache soit fermement en place. Si un problème est détecté, redescendez le patient sur la surface immobile et corrigez le problème

- autrement, des blessures ou des dommages pourraient survenir.
- Les réglages nécessaires à la sécurité et au confort doivent être effectués avant de déplacer le patient.

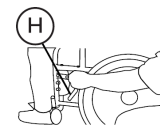
Détail «A» — LÈVE-PERSONNES VERTICALISATEUR



Détail «B» — FIXATION DE LA SANGLE



Détail «C» — BLOCAGE DES ROUES



| | |
|--------------------|-----------------------|
| Ⓐ Poignée | Ⓒ Pied |
| Ⓑ Cale-genou | Ⓓ Crochets |
| Ⓒ Repose-pieds | Ⓛ Boucle de la sangle |
| Ⓕ Roulette arrière | Ⓗ Blocage des roues |

1. Donnez au patient la consigne de se tenir aux poignées des deux côtés du lève-personnes verticalisateur (Détail «A»).
2. Donnez au patient la consigne de s'adosser à la sangle en station debout ou de transfert.

**AVERTISSEMENT !**

- Sangle en station debout - Avant de lever le patient, assurez-vous que le rebord inférieur de la sangle de verticalisation soit placé contre le bas du dos du patient et que ses bras sont à l'extérieur de la sangle.
- Sangle de transfert - Avant de lever le patient, assurez-vous que le rebord inférieur de la sangle de transfert se trouve à la base de sa colonne vertébrale et que les bras du patient soient à l'extérieur de la sangle.

3. Assurez-vous des actions suivantes:
 - a. Les genoux du patient s'appuient fermement sur le cale genou.
 - b. Les pieds du patient sont posés correctement sur le repose-pieds.
 - c. Les sangles:
 - Sangle de verticalisation - le rebord inférieur de la sangle est placé sur le bas du dos du patient.
 - Sangle de transfert - le rebord inférieur de la sangle est à la base de la colonne vertébrale du patient.
 - L'un ou l'autre des styles de sangle - les bras du patient sont à l'extérieur de la sangle.
 - les boucles de la sangle sont complètement passées dans les crochets des bras de levage et le clip est bien fermé (Détail «B»).
 - d. Les roulettes arrière sont débloquées.
 - e. Les pieds sont en position ouverte au maximum.

**AVERTISSEMENT !**

- En transférant un patient d'un fauteuil roulant, les roues du fauteuil DOIVENT être bloqués avant d'y installer le patient. Autrement, des blessures pourraient survenir.

4. Lors du transfert depuis un fauteuil roulant, bloquez les roues du fauteuil (Détail «B»).
5. Appuyez sur le bouton de montée (UP) sur la télécommande pour lever le patient au-dessus de la surface (lit, fauteuil roulant, ou chaise). Le poids du patient est entièrement supporté par le lève-personnes verticalisateur (Détail «D»).



Le centre de gravité plus bas favorise la stabilité, ce qui est sécurisant pour le patient, rendant le levage plus facile.

5.4 Transfert du Patient



AVERTISSEMENT !

- Les pieds du lève-personnes verticalisateur DOIVENT se trouver en position ouverte au maximum pour une stabilité et sécurité maximale. Si le patient est dans une sangle et qu'il devient nécessaire de se déplacer dans un passage étroit, fermez les pieds du lève-personnes verticalisateur le temps qu'il faut pour sortir du passage. Une fois que le lève-personnes verticalisateur est sorti du passage, retournez les pieds à leur position ouverte au maximum.
- Pendant le transfert, tandis que le patient est suspendu dans la sangle, NE PAS faire circuler les roulettes sur des surfaces irrégulières, ce qui créerait un déséquilibre du lève-personnes et pourrait le faire basculer. Utilisez la poignée du mât en tout temps pour pousser le lève-personnes ou le tirer.

1. Assurez-vous que les pieds du lève-personnes verticalisateur sont en position d'ouverture maximale. Sinon, appuyez sur le bouton PIEDS OUVERTS (OPEN LEGS) de la télécommande pour ouvrir les pieds au maximum.
2. Éloignez le lève-personnes verticalisateur de la surface où ils se trouvaient.
3. Déplacez lentement le patient jusqu'à la surface voulue.

6 Transfert Du Patient

6.1 Sécurité du soulèvement



AVERTISSEMENT !

- NE PAS dépasser la limitation pondérale du lève-personnes (SWL). La limitation pondérale du lève-personnes est de 159 kg.
- NE PAS tenter d'effectuer de transfert d'un patient sans l'approbation du médecin, de l'infirmière ou de l'assistant médical du patient.
- NE PAS déplacer le patient si la sangle n'est pas correctement raccordée aux points d'attache du lève-personnes verticalisateur. Vérifiez que la sangle soit correctement raccordée aux points d'attache avant de lever le patient. Si certains des points d'attache ne sont pas bien en place, corrigez le problème. Quand la sangle a été levée à quelques cm de la surface immobile et avant de déplacer le patient, vérifiez à nouveau pour vous assurer que tous les points d'attache de la sangle soient fermement en place. Si certains points d'attache ne sont pas correctement en place, redescendez le patient sur la surface immobile et corrigez ce problème - autrement, des blessures ou des dommages pourraient survenir.
- Les réglages nécessaires à la sécurité et au confort doivent être effectués avant de déplacer le patient.



AVERTISSEMENT !

- Les bras du patients doivent être positionnés à l'extérieur de la sangle.
- Utilisez la sangle recommandé par le médecin, l'infirmière ou l'assistant médical de la personne pour son confort et sa sécurité.
- NE PAS bloquer les roulettes arrière du lève-personnes verticalisateur pendant le levage d'une personne; cela pourrait faire basculer le lève-personnes et mettre en danger le patient et ses assistants.
- Les pieds du lève-personnes verticalisateur DOIVENT se trouver en position ouverte au maximum pour une stabilité et sécurité maximale. Si le patient est dans une sangle et qu'il devient nécessaire de se déplacer dans un passage étroit, fermez les pieds du dispositif le temps qu'il faut pour sortir du passage. Une fois que le lève-personnes verticalisateur est sorti du passage, retournez les pieds à leur position ouverte au maximum. S'il est nécessaire de fermer les pieds afin de manoeuvrer le lève-personnes verticalisateur sous un lit, fermez les pieds le temps nécessaire à placer le dispositif au-dessus du patient et de le soulever du lit. Quand les pieds du lève-personnes verticalisateur ne sont plus sous le lit, remettez-les en position ouverte au maximum.
- Assurez-vous de bien vérifier les points d'attache de la sangle chaque fois que ce dernier est retiré et remplacé, afin de garantir

qu'il est correctement fixé avant que le patient ne soit levée de la surface où il se trouve.

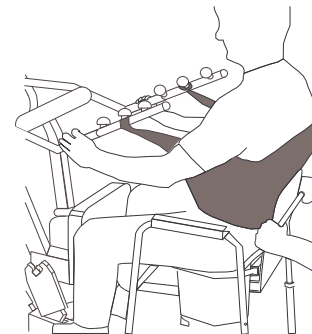
L'emploi d'un seule personne se base sur l'évaluation du professionnel de santé pour chaque cas individuel.

6.2 Transfert vers une chaise

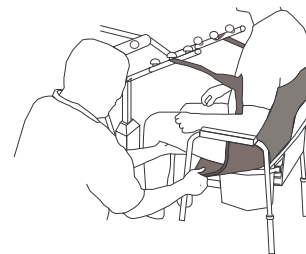
Détail «A»



Détail «B»



Détail «C»



**AVERTISSEMENT !**

– Invacare ne recommande le blocage des roulettes pivotantes arrière que lorsqu'on place ou retire la sangle enveloppant le patient.

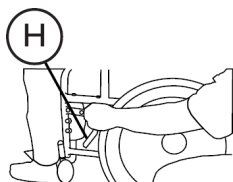
1. Soulevez le patient depuis le côté du lit.
2. Appuyez sur le bouton de montée (UP) de la télécommande afin d'élever le patient suffisamment pour n'être pas gêné par les bras de une chaise. Son poids est supporté par le lève-personnes verticalisateur.
3. Guidez le patient vers une chaise. Cela peut demander deux personnes.
4. Appuyez sur le bouton de descente pour déposer le patient sur une chaise.
5. Bloquez les roulettes pivotantes arrière sur le lève-personnes verticalisateur.
6. Effectuez l'une des actions suivantes:
 - Sangle en station debout - décrochez la sangle des points d'attache sur le lève-personnes verticalisateur.
 - Sangle de transport -
 - a. Décrochez la sangle des points d'attache inférieurs sur le lève-personnes verticalisateur.
 - b. Levez les jambes du patient et retirez les supports des cuisses d'en-dessous le patient.
 - c. Si vous le désirez, décrochez la sangle des points d'attache supérieurs sur le lève-personnes.
7. Demandez au patient d'enlever les pieds du repose-pieds, ou aidez-le à le faire.
8. Enlevez la sangle enveloppant le patient.
9. Débloquez les roulettes arrière et retirez le lève-personnes verticalisateur de la chaise.
10. Une fois la procédure terminée, vérifiez à nouveau les fixations de la sangle.



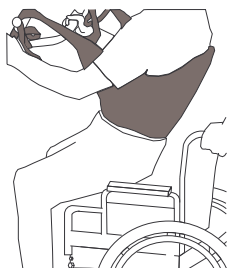
Le patient peut demeurer dans la partie supérieure de la sangle de transfert tout en se servant de la chaise d'aisance.

6.3 Transfert vers un fauteuil roulant

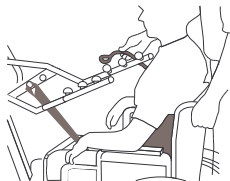
Détail «A»





Détail «B»



Détail «C»



  = Blocage des roues

1. Le patient étant installé dans la sangle, assurez-vous que les pieds du lève-personnes soient en position ouverte. Appuyez sur le bouton d'ouverture des pieds jusqu'à la position ouverte au maximum.
2. Mettez le fauteuil roulant dans la position voulue.
3. Bloquez les roues de le fauteuil roulant pour l'empêcher de bouger Détail «A».



AVERTISSEMENT !

– Ne pas placer le patient dans le fauteuil roulant si les roues ne sont pas bloquées. Les roues **DOIVENT** être en position bloquée avant de déposer le patient sur le fauteuil roulant pour le transporter. Autrement des blessures pourraient survenir.

4. Placez le patient au-dessus dans le fauteuil roulant (Détail «B»).
5. Appuyez sur le bouton de descente et déposez le patient dans le fauteuil roulant.




AVERTISSEMENT !

– Bloquez les roulettes pivotantes arrière **UNIQUEMENT** en plaçant ou en retirant la sangle (station debout ou transfert) enveloppant le patient. Sinon, des blessures, pourraient survenir.


6. Bloquez les roulettes pivotantes arrière.

7. Débranchez la sangle de tous les points d'attache sur le lève-personnes.
8. Demandez au patient de lever les pieds du repose-pieds. Aidez-le au besoin.
9. Retirez la sangle enveloppant le patient.
10. Débloquez les roulettes arrière et éloignez le lève-personnes verticalisateur du fauteuil roulant.

6.4 Transfert vers un lit

 Le centre de gravité plus bas favorise la stabilité, ce qui est sécurisant pour le patient, rendant le levage plus facile.

1. Placez le patient aussi près du centre du lit que possible.

 Si le patient est transféré à partir d'une surface plus basse que le lit, appuyez sur le bouton de montée pour lever le patient au-dessus de la surface du lit. Le patient doit être levé juste assez pour être au-dessus du lit, et son poids est supporté entièrement par le lève-personnes.

2. Appuyez sur le bouton de descente et déposez le patient sur le lit.



AVERTISSEMENT !

– Invacare recommande de bloquer les roulettes pivotantes arrière **UNIQUEMENT** pendant qu'on place ou qu'on enlève la sangle enveloppant le patient.

3. Bloquez les roulettes pivotantes arrière.
4. Débranchez la sangle de station debout ou de transport de tous les points d'attache sur le lève-personnes verticalisateur.

5. Demandez au patient d'enlever les pieds du repose-pieds.



Aidez le patient au besoin.

6. Enlevez la sangle enveloppant le patient.
7. Débloquez les roulettes pivotantes arrière et éloignez le lève-personnes du lit.

7 Dépannage

7.1 Tableau de dépannage

| SYMPTÔMES | DÉFAUTS | SOLUTIONS |
|---|---|--|
| Les pivots produisent des sons bruyants ou secs | Il faut procéder à la lubrification | Consultez <i>8.5 Lubrification du lève-personnes, page 220</i> |
| Le vérin électrique ne répond pas quand on appuie sur le bouton | La télécommande ou le connecteur de le vérin est | Branchez le connecteur de la télécommande ou du vérin. Assurez-vous que les connecteurs sont correctement installés et branchés. |
| | La batterie est faible | Chargez les batteries. Consultez <i>4.7 Chargement de la batterie, page 200</i> |
| | Le bouton ROUGE d'arrêt d'urgence est APPUYÉ | Tournez le bouton ROUGE d'arrêt d'urgence dans le SENS HORAIRE jusqu'à ce qu'il se ferme. |
| | La batterie n'est pas connectée correctement au boîtier de commande | Reconnectez la batterie au boîtier de commande. Consultez <i>4.7 Chargement de la batterie, page 200</i> |
| | Les bornes de raccordement sont endommagées | Remplacez la batterie. Consultez <i>4.7 Chargement de la batterie, page 200</i> |
| | Le vérin électrique a besoin d'entretien ou la charge est trop élevée | Consultez <i>8.7 Remplacement de le vérin électrique, page 222</i> Contactez votre revendeur Invacare. |
| Bruit inhabituel provenant du vérin. | Il faut un poids minimum aux bras de levage pour descendre de la position la plus élevée. | Refer to <i>8.7 Remplacement de le vérin électrique, page 222</i> Contactez votre revendeur Invacare. |

| SYMPTÔMES | DÉFAUTS | SOLUTIONS |
|---|---|--|
| Les bras de levage ne descendent pas de la position la plus élevée. | Les vérins des pieds sont peut-être usés ou endommagés ou la tige est déformée. | Tirez légèrement vers le bas sur les bras de levage. |
| Les pieds ne s'ouvrent ni ne se ferment correctement. | Un réglage de la base est peut-être nécessaire | Consultez <i>8.6 Réglage du socle, page 221</i> |



Si les problèmes ne sont pas résolus en suivant les suggestions ci-dessus, veuillez contacter votre concessionnaire ou Invacare.

8 Maintenance

8.1 Liste de vérifications de sécurité



AVERTISSEMENT !

- L'entretien DOIT être confié à un technicien qualifié.
- Si des pièces sont remplacées, une personne compétente doit s'assurer que la force et la stabilité du produit restent adéquates pour l'ensemble des tâches.
- NE pas TROP serrer la visserie d'assemblage. Cela endommagerait les supports de fixation.



Respectez les procédures d'entretien décrites dans ce manuel afin que votre lève-personnes continue à fonctionner sans interruption.

Le lève-personnes Invacare est conçu pour une prestation de service efficace et satisfaisante, en toute sécurité et avec un minimum de soins et d'entretien.

Toutes les pièces du lève-personnes Invacare sont fabriquées à partir des meilleures qualités d'acier; toutefois le frottement des métaux finit par les user à la suite d'une longue utilisation.

Il n'existe pas d'ajustement ou d'entretien des roulettes, à part le nettoyage, la lubrification et le contrôle des boulons des essieux et des pivots pour s'assurer qu'ils sont bien serrés. Enlevez tous les débris, etc. des parties en contact avec les roulettes et les pivots.

Si certaines pièces sont usées, remplacez-les IMMÉDIATEMENT.

Si vous avez des doutes sur l'une des pièces de ce lève-personnes, contactez immédiatement votre revendeur Invacare.

L'entretien régulier des lève-personnes et des accessoires est nécessaire afin d'assurer un fonctionnement correct.

Après les 12 premiers mois de fonctionnement, examinez l'usure de tous les points d'articulation et des attaches. Si le métal est usé, les pièces DOIVENT être remplacées. Effectuez cette inspection tous les six mois par la suite.

| | |
|---|-------------|
| Date d'inspection : | Initiales : |
| BASE À ROULETTES <ul style="list-style-type: none"> <input type="checkbox"/> Assurez-vous qu'il ne manque aucune pièce. <input type="checkbox"/> La base s'ouvre/se ferme facilement. <input type="checkbox"/> Vérifiez que les roulettes et les boulons de fixation sont bien serrés. <input type="checkbox"/> Assurez-vous que les roulettes pivotent et tournent de façon régulière. <input type="checkbox"/> Inspectez les roues et délogez les débris. <input type="checkbox"/> Assurez-vous que les axes pivotants ne sont pas usés. | |
| SANGLES ET ÉQUIPEMENT <ul style="list-style-type: none"> <input type="checkbox"/> Vérifiez toutes les attaches de la sangle avant chaque utilisation afin de vous assurer qu'elles sont bien en place et que le patient est en sécurité. <input type="checkbox"/> Assurez-vous que les sangles ne sont pas usées. <input type="checkbox"/> Assurez-vous que les courroies ne sont pas usées. <input type="checkbox"/> Vérifiez les coutures. | |
| VÉRIN ÉLECTRIQUE <ul style="list-style-type: none"> <input type="checkbox"/> Assurez-vous de l'absence de fuites. <input type="checkbox"/> Vérifiez les pièces du mât, de la flèche et de la base. <input type="checkbox"/> Assurez-vous de l'absence d'usure ou de détérioration. Si les pièces sont endommagées, renvoyez-les en usine. <input type="checkbox"/> Mettez le vérin en marche afin de vous assurer qu'il fonctionne régulièrement et en silence. | |

LES BRAS DE LEVAGE ET LE RACCORDEMENT

- Contrôler tout le matériel et les points d'attache.
- Contrôle des coudes et des déflexions.
- Contrôle des raccords boulonnés des bras de levage pour en vérifier l'usure.
- Contrôle pour s'assurer que les bras de levage sont bien centrés entre les pieds du socle.
- Assurez-vous que les axes pivotants ne sont pas usés.
- Assurez-vous que les crochets de la sangle ne sont ni usés ni pliés.

MÂT

- Le mât doit être correctement fixé à la flèche.
- Assurez-vous de l'absence de courbures ou pliures.
- Assurez-vous que les axes pivotants ne sont pas usés.

NETTOYAGE

- Au besoin.

8.2 Nettoyage de la sangle et du lève-personne



AVERTISSEMENT !

– Après chaque nettoyage (selon les consignes indiquées sur la sangle), examinez la sangle pour vous assurer qu'il n'y a pas d'usure, de déchirures et de coutures qui se défont. Jetez IMMÉDIATEMENT toute sangle défectueuse selon ces critères.

Nettoyage de la sangle

La sangle doit être lavé régulièrement à l'eau, à une température ne dépassant pas 95 °C (203 °F) et dans une

solution biologique. Consultez les instructions de lavage indiquées dans le manuel d'utilisation de la sangle.

Nettoyage et désinfection du lève-patient

Afin d'éviter les infections croisées, il convient de nettoyer et de désinfecter le lève-patient après chaque usage.

Il faut seulement un chiffon doux, humecté d'eau et un peu de détergent dilué pour nettoyer le lève-personnes. On peut le nettoyer avec des détergents non-abrasifs.

N'utilisez jamais de solvants ni de produits acides ou alcalins pour nettoyer le lève-patient. Essuyez bien le lève-patient après l'avoir nettoyé.

Les différentes pièces, les moteurs et le module de commande risquent d'être endommagés si les instructions de nettoyage ci-dessus ne sont pas respectées.

Essuyez ce lève-patient avec un chiffon humidifié de désinfectant ménager courant. Utilisez uniquement des détergents désinfectants agréés par votre établissement.

8.3 Réutilisation

Ce produit peut être réutilisé. Le nombre maximal de réutilisations possibles dépend de son état. Afin d'éviter la transmission des infections, il convient de nettoyer le lève-personne et les sangles après chaque utilisation. Avant toute réutilisation ou tout recyclage du lève-personne, reportez-vous à la section *8.2 Nettoyage de la sangle et du lève-personne, page 219*. Fournissez toujours le manuel d'utilisation avec le lève-personne réutilisé ou recyclé.

8.4 Détection de l'usure et des dommages

Il est important d'examiner toutes les pièces subissant des tensions, comme les sangles, bras de levage et pivots des sangles et d'y rechercher des signes de déchirures, d'effilochage, de déformation ou de détérioration. Remplacez toutes pièces défectueuses IMMÉDIATEMENT et assurez-vous que le lève-personnes n'est pas utilisé jusqu'à ce que les réparations aient été effectuées.

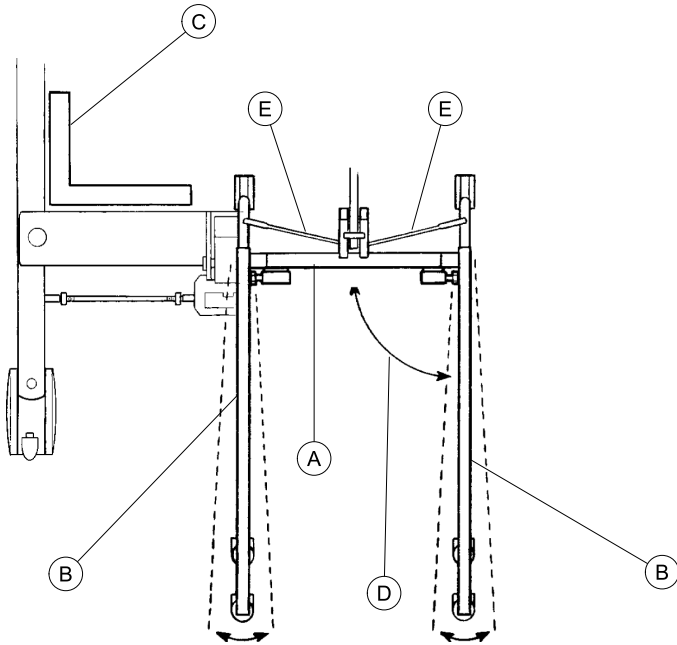
8.5 Lubrification du lève-personnes

Le lève-personnes Invacare est conçu pour un entretien minimum. Toutefois, une vérification et lubrification au bout de six mois devraient assurer une sécurité et fiabilité à long terme.

Gardez le lève-personnes et les sangles propres et en bon état. Tout défaut doit être noté et signalé à votre revendeur dès que possible.

Les roulettes DOIVENT pivoter et rouler facilement. Une graisse légère (un lubrifiant automobile imperméable) peut être appliquée au pivot à roulement à billes des roulettes une fois par an. Appliquez-la plus fréquemment si les roulettes sont exposées à des conditions d'humidité extrêmes.

8.6 Réglage du socle



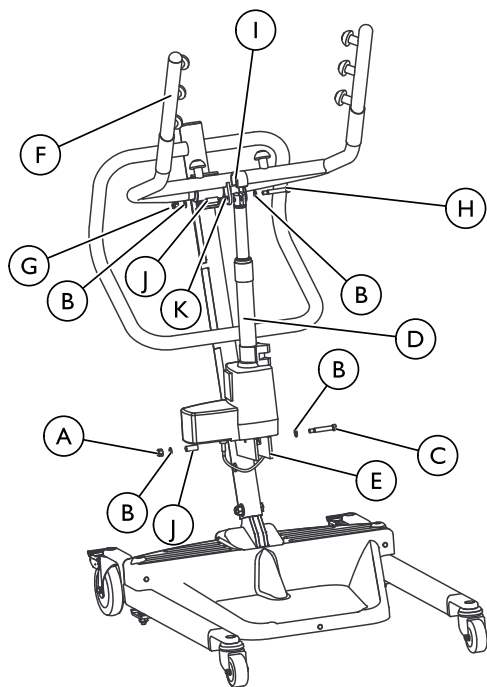
Le réglage de la base (A) n'exige aucun autre réglage que celui des tiges de liaison.

- ! Vous risquez d'endommager le lève-personne.
 - L'actionneur de pied doit être en position fermée avant le réglage des tiges de liaison.

1. Fermez complètement les pieds. Reportez-vous à la section 4.2.1 *Fermeture/ouverture des pieds manuelle*, page 196
2. Vérifiez la perpendicularité des pieds (B) lorsqu'ils sont en position fermée.
3. Placez une équerre (C) à l'intérieur des pieds et de la base afin de déterminer l'alignement à 90° (D).
4. Réglez les tiges de liaison (E) jusqu'à obtention d'un alignement à 90°.

- ! Vous risquez d'endommager le lève-personne.
 - Lors du réglage des tiges de liaison, veillez à ce que l'alignement des pieds NE soit PAS inférieur à 90°.

8.7 Remplacement de le vérin électrique



| | |
|-----------------------|-------------------|
| Ⓐ Écrou inférieur | Ⓒ Écrou supérieur |
| Ⓑ Rondelle | Ⓓ Boulon |
| Ⓒ Boulon à épaulement | Ⓘ Support |
| Ⓓ Vérin électrique | Ⓝ Bague |

| | |
|-----------------------------|--|
| Ⓔ Support de montage du mât | Ⓚ Support de montage du bras de levage |
| Ⓕ Bras de levage | |

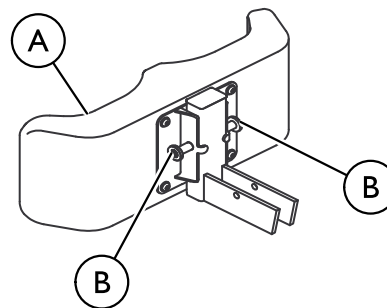


AVERTISSEMENT !

– NE PAS trop serrer la visserie de montage car cela endommagerait les supports de montage.

1. Retirez l'écrou inférieur, la rondelle et le boulon à épaulement fixant le vérin électrique au support de montage du mât.
2. Posez le bras de levage sur votre épaule et retirez l'écrou supérieur, le boulon, le support et la bague du support de montage du bras de levage.
3. Retirez le vérin électrique.
4. Inversez les ÉTAPES 1-3 pour installer le nouvel vérin électrique.

8.8 Ajustement de la hauteur du cale-genou



Ⓐ Cale-genou

Ⓑ Goupille d'ajustement

**AVERTISSEMENT !**

- NE JAMAIS ajuster le cale-genou pendant que le patient est debout.
- NE JAMAIS ajuster le cale-genou pendant que le lève-personne est en mouvement.
- Assurez-vous TOUJOURS que les goupilles d'ajustement sont enclenchées dans les orifices de la hauteur correspondante avant l'utilisation.

1. Choisissez une hauteur qui sera confortable pour le patient tout en lui offrant le support nécessaire.



Le cale-genou doit être placé afin que le genou soit en contact avec ce coussinet protecteur.

2. En utilisant les deux mains, tirez les deux goupilles d'ajustement vers l'extérieur en même temps.
3. Placez le cale-genou à la hauteur voulue et insérez les goupilles d'ajustement dans les orifices correspondants.
4. Vérifiez que les deux goupilles sont bien enclenchées.

9 Caractéristiques Techniques

9.1 Lève-personne verticalisateur RSP350-1E et RPS350-1FR

| | |
|--|---------------------------------|
| Hauteur au raccordement du sangle - MAXIMUM | 168 cm |
| Hauteur au raccordement du sangle - MINIMUM | 102 cm |
| Largeur au niveau du socle OUVERT | 94 cm |
| Hauteur au niveau du socle FERMÉ | 66 cm |
| Hauteur du socle (intervalle) | 11,5 cm |
| Longueur du socle | 90 cm |
| Hauteur totale | 125 cm |
| Longueur totale | 99 cm |
| Largeur totale | 65,5 cm |
| Dimensions des roulettes (AVANT/ARRIÈRE) | 8 cm / 13 cm |
| Options pour le sangle | Position debout ou de transfert |
| Matère du sangle | Polyester |
| Capacité maximum de levage (SWL) (patient + sangle + bras de levage) | 159 kg |

| | |
|--|---------------------------------|
| Capacité pondérale | 159 kg |
| Poids total (hors du carton d'emballage) | 49 kg |
| Batterie (tension de sortie) | 24V CC mb max. 240VA (RCHBL) |
| Tension d'entrée du chargeur (alimentation) | 100-240V CC ~ 50/60 Hz |
| Tension de sortie/temps de charge | 29,5V DC 2,9 Ah 6 heures Max |
| Avertisseur audio-visuel du niveau faible de la batterie | Oui |
| Dispositifs de sécurité du moteur | Anti-coincement |
| *Nombre approximatif de lavages par charge | *100-200 Cycles par charge |
| Entrée Max du courant | Max. 400 mA |
| Température de fonctionnement | 5 à 40° C |
| Humidité ambiante | 20 à 90% @ 30 sans condensation |
| Pression sonore | < 50 dB |
| Pression atmosphérique | 700 à 1060 hPa |
| Température de stockage | supérieure à 0 °C |
| Humidité de stockage | inférieure à 60 % |

| | |
|--------------------------------------|---|
| Pression atmosphérique de stockage | de 700 hPa à 1 060 hPa |
| Degré de protection, bloc de réglage | IPX4 |
| Degré de protection, télécommande | IPX4 |
| Degré de protection, moteur | IPX4 |
| Classe d'isolement | Équipement de classe II, Type B Pièce appliquée de type B |
| Fonctionnement intermittent | 10%, max, 2 minutes / 18 minutes |
| Capacité de la batterie | 2,9 Ah |
| Descente manuelle d'urgence | Oui |
| Descente/levage électrique d'urgence | Oui/Oui |
| Durée de vie escomptée | 8 ans |
| Vitesse de levage | Le lève-patient Roze est conforme aux exigences de « vitesse de levage et d'abaissement » de la norme EN/ISO 10535 (<0,15 m/s avec charge maximale et <0,25 m/s à vide) |



* Des variations se produisent selon le chargement et la course.

Sommario

Il presente manuale deve essere fornito all'utilizzatore del prodotto. Leggere il presente manuale e conservarlo per eventuali consultazioni successive, PRIMA di utilizzare il prodotto.

| | |
|--|------------|
| 1 Generale | 229 |
| 1.1 Simboli | 229 |
| 1.2 Uso previsto | 230 |
| 1.2.1 Controindicazioni | 230 |
| 1.3 Articoli inclusi | 231 |
| 1.4 Durata | 232 |
| 1.5 Informazioni sulla garanzia | 232 |
| 2 Sicurezza | 233 |
| 2.1 Linee guida generali | 233 |
| 2.2 Informazioni sul funzionamento | 233 |
| 2.2.1 Generalità | 234 |
| 2.2.2 Posizionamento | 235 |
| 2.2.3 Smaltimento | 235 |
| 2.3 Interferenze a radiofrequenza | 236 |
| 2.4 Etichette del prodotto | 237 |
| 3 Messa in servizio | 238 |
| 3.1 Montaggio sicuro | 238 |
| 3.2 Montaggio dell'albero sulla base | 239 |
| 3.3 Preparazione del sollevatore per l'utilizzo | 239 |
| 3.4 Installazione della manopola di spostamento | 240 |
| 3.5 Montaggio alla parete della staffa di fissaggio del caricabatteria | 240 |
| 4 Uso | 242 |
| 4.1 Introduzione | 242 |
| 4.2 Chiusura/apertura delle gambe | 242 |
| 4.2.1 Chiusura/apertura manuale delle gambe | 242 |
| 4.3 Bloccaggio/sbloccaggio delle ruote posteriori | 243 |
| 4.4 Sollevamento/abbassamento del sollevatore | 243 |

| | |
|--|------------|
| 4.4.1 Sollevamento/abbassamento di un sollevatore elettrico | 243 |
| 4.5 Attivazione di uno sblocco meccanico di emergenza | 244 |
| 4.5.1 Rilascio di emergenza primario | 244 |
| 4.5.2 Rilascio di emergenza secondario | 245 |
| 4.6 Esecuzione di un arresto di emergenza | 245 |
| 4.7 Carica della batteria | 246 |
| 4.7.1 Spia della batteria | 246 |
| 4.7.2 Uso di un cavo di alimentazione per caricare la batteria | 248 |
| 4.7.3 Uso del caricabatteria per caricare la batteria | 249 |
| 5 Sollevamento del paziente | 250 |
| 5.1 Sollevamento sicuro | 250 |
| 5.2 Posizionamento del sollevatore Stand Assist | 252 |
| 5.3 Sollevamento del paziente | 254 |
| 5.4 Spostamento del paziente | 256 |
| 6 Trasferimento del paziente | 258 |
| 6.1 Spostamento sicuro | 258 |
| 6.2 Spostamento su una comoda | 259 |
| 6.3 Spostamento su una carrozzina | 261 |
| 6.4 Trasferimento su un letto | 262 |
| 7 Guida alla soluzione dei problemi | 263 |
| 7.1 Tabella delle soluzioni dei problemi | 263 |
| 8 Manutenzione | 265 |
| 8.1 Lista di controllo per la sicurezza e la manutenzione | 265 |
| 8.2 Pulizia dell'imbracatura e del sollevatore | 266 |
| 8.3 Riutilizzo | 267 |
| 8.4 Rilevamento di usura e danni | 267 |
| 8.5 Lubrificazione del sollevatore | 267 |
| 8.6 Regolazione della base | 268 |
| 8.7 Sostituzione dell'attuatore elettrico | 269 |
| 8.8 Regolazione dell'altezza del cuscinetto per le ginocchia | 270 |

| | |
|---|-------------|
| 9 Dati Tecnici | .271 |
| 9.1 Sollevatore paziente Stand Assist RPS3501E e RPS3501FR | .271 |

1 Generale

1.1 Simboli

Nel presente manuale tutte le situazioni non sicure o pericolose che possono portare a lesioni alle persone o danni ai materiali sono evidenziate mediante simboli. Qui di seguito sono riportate le spiegazioni dei simboli.



ATTENZIONE!

– Situazione di pericolo potenziale che, se non evitata, potrebbe causare morte o lesioni gravi.



AVVERTENZA!

– Situazione di pericolo potenziale che, se non evitata, potrebbe causare danni al prodotto o lesioni lievi o entrambi.



IMPORTANTE

– Situazione di pericolo che, se non evitata, potrebbe essere causa di danni al prodotto.



Indica consigli utili, raccomandazioni e informazioni per un uso efficace e senza inconvenienti.



Data di produzione.



Questo prodotto è conforme alla direttiva 93/42/CEE relativa ai dispositivi medici.

La data di lancio di questo prodotto è indicata nella dichiarazione di conformità CE.



Leggere il manuale



Segnale acustico di batteria scarica. Fare riferimento alla sezione 4.7 *Carica della batteria*, pagina 246



Bloccaruota



Chiusura/apertura delle gambe



Sollevamento/abbassamento dei bracci di sollevamento



Arresto di emergenza



Carico ammissibile per un utilizzo in sicurezza



Doppio isolamento, apparecchiatura di classe II



Parte applicata di tipo B



Riciclare il prodotto. Fare riferimento alla sezione 2.2.3 *Smaltimento*, pagina 235

1.2 Uso previsto



ATTENZIONE!

Rischio di caduta

Il Stand Assist Invacare NON è un dispositivo di trasporto. È destinato a spostare un paziente da una superficie di riposo a un'altra (ad esempio da un letto a una carrozzina).

Le imbracature e gli accessori per sollevatore Invacare sono appositamente progettati per l'uso in combinazione con i sollevatori Invacare.

Per evitare lesioni o cadute:

- I pazienti che vengono spostati e posizionati tramite il sollevatore Stand Assist DEVONO essere collaborativi, coordinati e avere il controllo della testa e del collo. In caso contrario, possono verificarsi lesioni.
- I pazienti che vengono spostati e posizionati tramite l'imbracatura Stand Assist DEVONO essere in grado di sostenere la maggior parte del proprio peso. In caso contrario, potrebbero verificarsi lesioni o danni. Per ulteriori informazioni, fare riferimento al manuale d'uso dell'imbracatura.

Stand Assist sono dispositivi di spostamento alimentati a batteria, progettati per essere utilizzati nella maggior parte delle situazioni di sollevamento comuni, ad esempio:

- Tra letto e carrozzina e viceversa
- Da e verso la toilette

Il Stand Assist è destinato esclusivamente al sollevamento di pazienti fino al limite di peso massimo indicato nei dati tecnici.

Scegliere le imbracature e gli accessori appropriati per ogni paziente è importante per garantire la sicurezza d'utilizzo di un sollevatore. Fare riferimento ai manuali d'uso per le imbracature e gli accessori Invacare per ulteriori informazioni su tali dispositivi.

Invacare raccomanda che il paziente venga spostato con una sedia per doccia o altri mezzi per fare il bagno.

Il Stand Assist può essere ruotato sul posto per gli spostamenti in spazi limitati.

1.2.1 Controindicazioni

Il sollevatore Stand Assist è controindicato per i pazienti che:

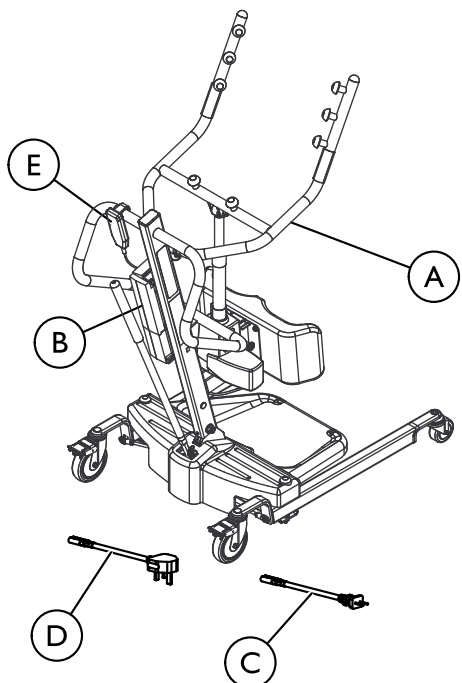
- non sono collaborativi
- non sono coordinati
- non hanno il controllo della testa e del collo

Alcune imbracature progettate per il sollevatore Stand Assist sono controindicate per i pazienti che non riescono a sostenere la maggior parte del proprio peso. Per ulteriori informazioni, fare riferimento al manuale d'uso dell'imbracatura.

1.3 Articoli inclusi

Nell'imballo sono inclusi gli articoli elencati nelle tabelle seguenti. Le imbracature sono vendute separatamente. Il caricabatteria da parete può essere venduto separatamente.

| Articolo | Descrizione | Quantità |
|----------|--|----------|
| A | Sollevatore | 1 |
| B | Batteria | 1 |
| C | Cavo di ricarica, UE | 1 |
| D | Cavo di ricarica, UK (solo RPS350-1E) | 1 |
| E | Telecomando | 1 |
| F | Manuale d'uso del sollevatore (non mostrato) | 1 |



1.4 Durata



ATTENZIONE!

Pericolo di lesioni o danni

La mancanza di manutenzione del prodotto può causare perdita di funzionalità del prodotto, lesioni o danni.

Un montaggio non corretto può causare lesioni o danni.

L'utilizzo di componenti, inclusi pezzi di ricambio (durante la manutenzione), inadeguati o non corretti può causare lesioni o danni.

- Il montaggio e la manutenzione DEVONO essere eseguiti esclusivamente da personale qualificato.
- La manutenzione regolare del sollevatore e degli accessori è necessaria per garantire il corretto funzionamento.
- Utilizzare solo componenti Invacare per il montaggio di questo sollevatore. La base, le gambe, l'albero, il braccio o i bracci di sollevamento, la pompa o il gruppo attuatore e il bilancino sono realizzati secondo specifiche che assicurano il corretto allineamento di tutte le parti per garantire un funzionamento sicuro del prodotto.
- Fornire SEMPRE il numero di serie del sollevatore per facilitare l'ordine di pezzi di ricambio corretti.
- NON stringere eccessivamente le viti per non danneggiare la staffa di montaggio.

Il sollevatore mobile ha una durata prevista di 8 anni , a condizione che sia utilizzato in conformità alle istruzioni per la sicurezza e per la cura del prodotto, che siano rispettati gli intervalli di manutenzione e che sia utilizzato correttamente come indicato nel presente manuale. La durata effettiva del prodotto può variare a seconda della frequenza e dell'intensità d'uso.

Durata dell'attuatore

| Numero di cicli di sollevamento al giorno | Durata dell'attuatore (in anni) |
|---|---------------------------------|
| 1–2 | 10 |
| 3 | 9 |
| 4 | 6 |
| 5 | 5 |
| 6 | 4 |
| 7–9 | 3 |
| 10–13 | 2 |
| 14–27 | 1 |

1.5 Informazioni sulla garanzia

I termini e le condizioni della garanzia sono parte integrante delle condizioni generali e le condizioni specifici per i singoli paesi in cui questo prodotto viene commercializzato.

Le informazioni per contattare la sede Invacare di riferimento si trovano all'interno del retro di copertina di questo manuale.

2 Sicurezza

2.1 Linee guida generali



ATTENZIONE!

– NON usare questo prodotto o altri dispositivi opzionali disponibili senza prima aver letto e compreso attentamente le presenti istruzioni e ogni altro materiale informativo come i manuali d'uso, i manuali per la manutenzione o i fogli di istruzione forniti con questo prodotto o con gli accessori. Qualora alcune avvertenze, precauzioni o istruzioni fossero di difficile comprensione, contattare il professionista sanitario, il rivenditore o i tecnici qualificati prima di iniziare a utilizzare questa apparecchiatura, in modo da evitare possibili lesioni a persone o danni a materiali.

AVVERTENZA RIGUARDANTE GLI ACCESSORI

I prodotti Invacare sono appositamente progettati e costruiti per essere utilizzati in combinazione con accessori Invacare.

Accessori progettati da altri produttori non sono stati collaudati da Invacare, pertanto se ne sconsiglia l'uso con i prodotti Invacare. In alcuni casi è possibile utilizzare imbracature di altri produttori.

– Per ulteriori informazioni sugli accessori, contattare l'ufficio Invacare locale.



SEGNALAZIONE

– Le informazioni contenute nel presente manuale possono essere modificate senza preavviso.

Prima dell'utilizzo, controllare tutti i componenti per individuare eventuali danni dovuti al trasporto. In caso di danni, NON utilizzare l'apparecchiatura. Contattare il proprio rivenditore o rappresentante Invacare per ulteriori istruzioni.

2.2 Informazioni sul funzionamento

La presente sezione del manuale contiene informazioni generali sulla sicurezza del prodotto. Per informazioni specifiche sulla sicurezza, consultare l'apposita sezione del manuale e le procedure contenute all'interno di tale sezione. Ad esempio, per le informazioni sulla sicurezza relative al montaggio del sollevatore, consultare la sezione *3 Messa in servizio*, pagina 238

2.2.1 Generalità



ATTENZIONE!

Rischio di caduta

NON tentare alcun tipo di spostamento senza l'approvazione del medico, dell'infermiere o dell'assistente sanitario che seguono il paziente. Leggere attentamente le istruzioni contenute nel presente manuale d'uso, osservare un team qualificato di esperti mentre esegue le procedure di sollevamento, quindi effettuare più volte l'intera procedura di sollevamento con l'adeguata supervisione e con una persona abile che funga da paziente.

- Usare il buon senso in occasione di ogni sollevamento. SI DEVE prestare particolare attenzione nel caso di persone affette da disabilità che non consentono loro di collaborare durante il sollevamento.
- Utilizzare sempre la maniglia di guida sull'albero per spingere o tirare il sollevatore.
- Assicurarsi di controllare gli attacchi dell'imbracatura ogni volta che questa viene rimossa e sostituita, al fine di garantire che sia fissata correttamente prima di spostare il paziente da un oggetto fisso (letto, carrozzina o comoda).



ATTENZIONE!

Rischio di lesioni o danni

Il sollevatore può essere usato all'interno o all'aperto. Alcune superfici possono rendere instabile il sollevatore e causare lesioni o danni. Il sollevatore può essere utilizzato in prossimità di una doccia o vasca da bagno, ma l'eccessiva umidità lo danneggia e potrebbe causare lesioni.

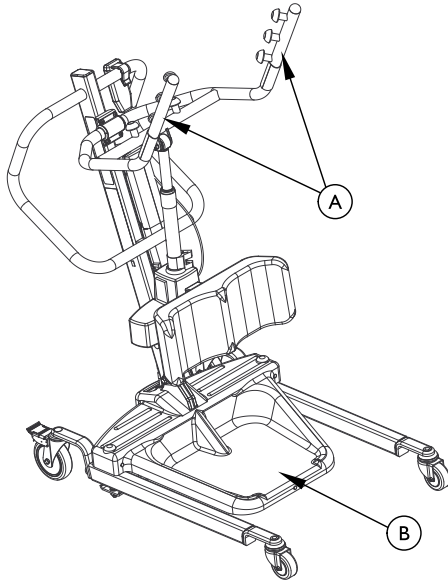
- Evitare di usare il sollevatore su una superficie inclinata. Invacare raccomanda di utilizzare il sollevatore esclusivamente su una superficie piana.
- NON spingere le ruote su superfici irregolari che potrebbero causare il ribaltamento del sollevatore.
- NON utilizzare il sollevatore nella doccia, nella vasca da bagno o in ambienti con umidità eccessiva.
- Assicurarsi che il sollevatore sia asciutto e pulito da qualsiasi traccia di umidità dopo l'uso.
- NON riporre il sollevatore in un locale umido o in condizioni di umidità. Fare riferimento agli intervalli di temperatura, umidità e pressione di immagazzinamento indicati nella *7.1 Tabella delle soluzioni dei problemi, pagina 263*
- Ispezionare periodicamente tutti i componenti del sollevatore per rilevare la presenza di eventuali segni di corrosione. Sostituire tutti i componenti corrosi o danneggiati.

2.2.2 Posizionamento



ATTENZIONE! Rischio di lesioni

- Fare SEMPRE attenzione ai bracci di sollevamento. Potrebbero verificarsi lesioni ai pazienti e/o agli assistenti.
- Prestare SEMPRE attenzione al poggiatesta, in particolare alla posizione del paziente sul poggiatesta. Potrebbero verificarsi lesioni ai pazienti e/o agli assistenti.



Ⓐ = Bracci di sollevamento

Ⓑ = Pedana

2.2.3 Smaltimento



ATTENZIONE! Pericolo per l'ambiente

Questo prodotto è stato fornito da un costruttore consapevole dell'impatto ambientale e nel rispetto della Direttiva 2012/19/UE sullo smaltimento dei materiali elettrici ed elettronici (WEEE).

Il dispositivo contiene batterie al piombo-acido. Il prodotto può contenere sostanze che potrebbero essere pericolose per l'ambiente se smaltite in luoghi (discariche) non conformi alla normativa in vigore.

- NON smaltire le batterie come normali rifiuti domestici. DEVONO essere conferite in un sito di smaltimento idoneo. Per ulteriori informazioni, contattare la propria azienda di raccolta rifiuti locale.
- Vi invitiamo a prendervi cura dell'ambiente in modo responsabile, riciclando questo prodotto attraverso i servizi di riciclaggio della vostra zona, al termine del suo utilizzo.

2.3 Interferenze a radiofrequenza


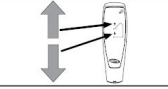
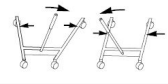
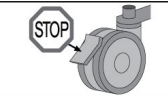
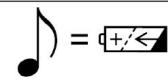



ATTENZIONE!

– La maggior parte delle attrezzature elettroniche è influenzata dall'interferenze a radiofrequenza (RFI). Si deve usare CAUTELA per quanto riguarda l'uso delle apparecchiature di comunicazione portatili nella zona circostante tali attrezzature. Se le RFI provocano un comportamento irregolare, SPEGNERE IMMEDIATAMENTE l'interruttore rosso di alimentazione. NON ACCENDERE l'interruttore di alimentazione mentre la trasmissione è in corso.

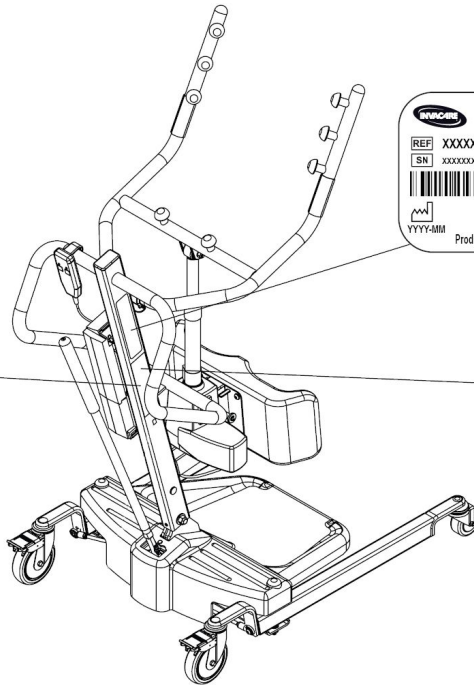
2.4 Etichette del prodotto

SWL
159kg

1171742 Rev B

RPS350-I FR



SWL-CARE Miracare Portugal, Lda
Rua Estrada Vólta 949
4465-784 Leça do Balio, Portugal ISO 10535 **CE**


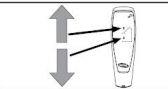
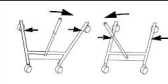
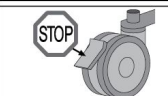
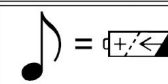

REF XXXXXX XXXXX_XX
SM XXXXXXXXXXXXX
XXXXXXXX XXXX
XXXXXXXX XXXX
XXXXXXXX XXXX
XXXXXXXX XXXX
XXXXXXXX XXXX

XXXX-MM Product name

▲ xxx kg □ ♀




SWL
159kg

1167425 Rev B

RPS350-IE

3 Messa in servizio

3.1 Montaggio sicuro



ATTENZIONE!

Rischio di lesioni

Un assemblaggio non corretto può causare lesioni o danni.

- Il montaggio DEVE essere eseguito esclusivamente da personale qualificato.
- Utilizzare solo pezzi di Invacare per il montaggio di questo sollevatore. I componenti del sollevatore sono realizzati secondo specifiche che assicurano il corretto allineamento di tutte le parti per garantire un utilizzo funzionale e sicuro del prodotto.
- NON stringere eccessivamente gli elementi di montaggio. Questo danneggia la staffa di fissaggio.



Per montare il sollevatore non sono richiesti utensili.

In caso di problemi o domande durante il montaggio, contattare un rappresentante locale Invacare. Fare riferimento alle informazioni di contatto riportate sul retro del presente manuale.

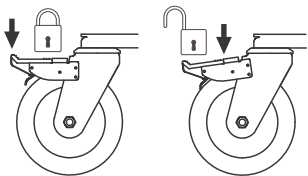
3.2 Montaggio dell'albero sulla base



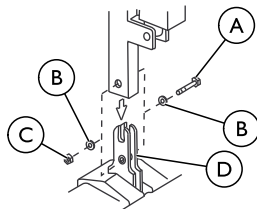
ATTENZIONE!

– Utilizzare solo pezzi di Invacare per il montaggio di questo sollevatore. Le gambe della base, l'albero, il braccio, il gruppo pompa e la barra girevole sono realizzati secondo specifiche che assicurano il corretto allineamento di tutte le parti per garantire un utilizzo funzionale e sicuro del prodotto.

DETTAGLIO A



DETTAGLIO B



1. Posizionare la base sul pavimento.
 - Assicurarsi che tutte e quattro le ruote siano a contatto con il pavimento.
2. Bloccare entrambe le ruote posteriori. Fare riferimento al Dettaglio A.
3. Rimuovere il bullone esagonale, le rondelle e il dado posizionati nell'apertura a forma di U della base. Fare riferimento al Dettaglio B.
4. Sollevare l'albero in posizione verticale.
5. Abbassare l'albero sulla staffa di fissaggio.
6. Collegare l'albero alla base con il bullone esagonale, le rondelle e il dado. Serrare a fondo.

3.3 Preparazione del sollevatore per l'utilizzo

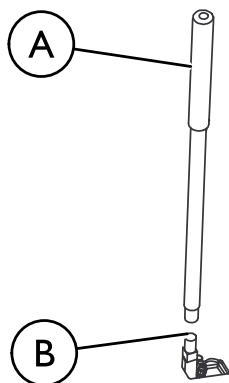
Controllare e serrare tutti gli elementi PRIMA dell'uso.

| | |
|-----------------------|-------------------------|
| (A) Bullone esagonale | (C) Dado |
| (B) Rondella | (D) Staffa di fissaggio |



Il gruppo dell'albero può essere rimosso dalla base per l'immagazzinamento o il trasporto. Il gruppo dell'albero DEVE essere fissato correttamente alla base prima dell'uso.

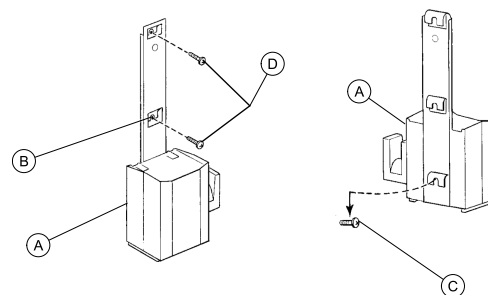
3.4 Installazione della manopola di spostamento



| | |
|----------------------------------|--|
| <p>Ⓐ Manopola di spostamento</p> | <p>Ⓑ Adattatore maschio nella base</p> |
|----------------------------------|--|

1. Rimuovere la manopola di spostamento dal cartone di imballaggio.
2. Avvitare la manopola di spostamento sull'adattatore maschio della base.


3.5 Montaggio alla parete della staffa di fissaggio del caricabatteria



Fare riferimento alle normative locali in materia di procedure di montaggio corrette.

Questa procedura è valida solo per i modelli RPS350-1E.

1. Posizionare il caricabatteria con la staffa di fissaggio Ⓐ sulla parete nella posizione desiderata.
2. Con una matita, segnare la posizione del foro centrale Ⓑ.
3. Misurare 16,5 cm (6 pollici e ½) verso il basso dal segno della matita e praticare un foro di fissaggio.
4. Inserire la vite di fissaggio inferiore © fino a ottenere una distanza di circa 3 mm (1/8 di pollice) tra la testa della vite e la parete.
5. Posizionare il caricabatteria con la staffa di fissaggio sulla vite di fissaggio inferiore.
6. Praticare i due fori di fissaggio restanti.

7. Inserire le due viti di montaggio restanti  attraverso la staffa di fissaggio e nella parete. Serrare a fondo.
8. Collegare il caricabatteria alla presa elettrica a muro.




Il LED ON dovrebbe accendersi.

4 Uso

4.1 Introduzione

Il funzionamento del sollevatore è una procedura facile e sicura.

 Prima di utilizzare il sollevatore con un paziente, fare riferimento alle procedure seguenti per informazioni e istruzioni di sicurezza:

- 2.2 *Informazioni sul funzionamento, pagina 233*
- 5.3 *Sollevamento del paziente, pagina 254*

4.2 Chiusura/apertura delle gambe



ATTENZIONE!

Pericolo di lesioni

Il sollevatore potrebbe ribaltarsi e mettere in pericolo il paziente e gli assistenti.

– Le gambe del sollevatore devono essere nella posizione di massima apertura per garantire la massima stabilità e sicurezza. Nel caso in cui sia necessario chiudere le gambe del sollevatore per posizionarlo sotto un letto, chiudere le gambe del sollevatore solo per il tempo necessario a posizionarlo sopra il paziente e sollevare il paziente dalla superficie del letto. Quando le gambe del sollevatore non si trovano più sotto il letto, riportarle alla posizione di massima apertura.

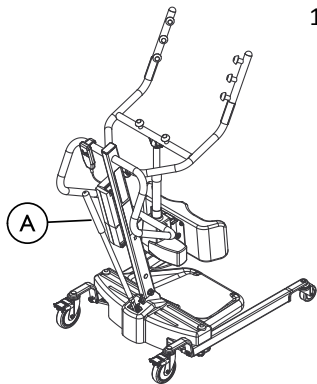
4.2.1 Chiusura/apertura manuale delle gambe

La manopola di spostamento viene utilizzata per aprire o chiudere le gambe della base per assicurare la stabilità durante il sollevamento di un paziente.




Fare riferimento alle informazioni di sicurezza riportate nella sezione 4.2 *Chiusura/apertura delle gambe, pagina 242* prima di eseguire questa procedura.


Ⓐ = Manopola di spostamento



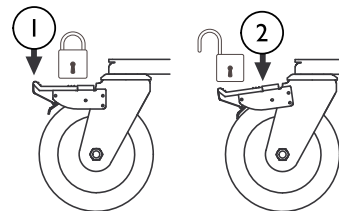
1. Per chiudere le gambe: ESTRARRE e allontanare la manopola di spostamento dal sollevatore, quindi spostarla verso SINISTRA finché non si BLOCCA nella scanalatura della staffa.

 La sinistra viene stabilita mettendosi in piedi dietro il sollevatore e rivolti verso le ruote anteriori.

2. Per aprire le gambe: ESTRARRE e allontanare la manopola di spostamento dal sollevatore, quindi spostarla verso DESTRA finché non si BLOCCA nella scanalatura della staffa.

 La destra viene stabilita mettendosi in piedi dietro il sollevatore e rivolti verso le ruote anteriori.

4.3 Bloccaggio/sbloccaggio delle ruote posteriori



1. Abbassare con il piede qui per bloccare
2. Abbassare con il piede qui per sbloccare

4.4 Sollevamento/abbassamento del sollevatore



ATTENZIONE!

Pericolo di lesioni

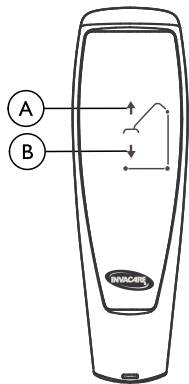
Il sollevatore può ribaltarsi e mettere in pericolo il paziente e gli assistenti.

– Invacare non raccomanda che le ruote posteriori siano bloccate per consentire al sollevatore di stabilizzarsi quando il paziente viene inizialmente sollevato da una sedia, un letto o qualsiasi oggetto fisso.

4.4.1 Sollevamento/abbassamento di un sollevatore elettrico



Fare riferimento alle informazioni di sicurezza riportate nella sezione 4.4 *Sollevamento/abbassamento del sollevatore*, pagina 243 prima di eseguire questa procedura.



1. Per sollevare il sollevatore -
Tenere premuto il pulsante
SU (A) per sollevare il
braccio e il paziente.
2. Per abbassare il sollevatore
- Tenere premuto il
pulsante GIÙ (B) per
abbassare il braccio e il
paziente.

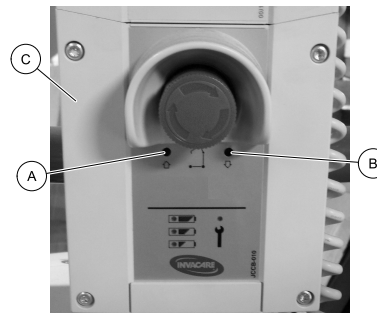


Rilasciare il pulsante per interrompere il sollevamento o l'abbassamento del sollevatore.

4.5 Attivazione di uno sblocco meccanico di emergenza

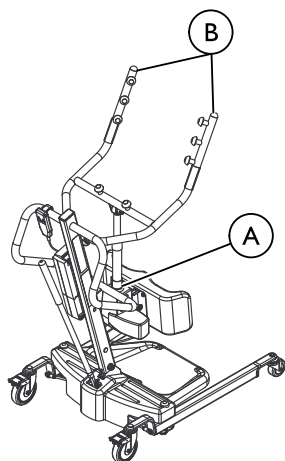
Esistono due tipi di sblocco meccanico di emergenza: uno principale e uno secondario.

4.5.1 Rilascio di emergenza primario



1. Inserire una penna nel foro contrassegnato come Sollevamento di emergenza (A) o Abbassamento di emergenza (B) sulla centralina (C).

4.5.2 Rilascio di emergenza secondario



Ⓐ Impugnatura di emergenza ROSSA

Ⓑ Bracci di sollevamento

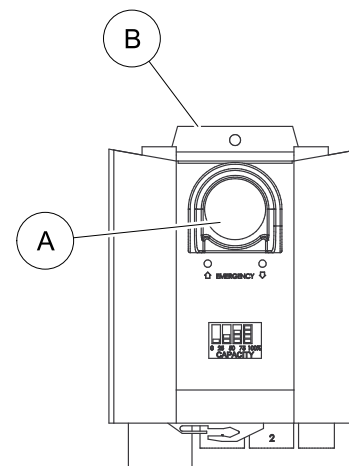


Si raccomanda di utilizzare il rilascio di emergenza primario. Il rilascio di emergenza secondario è solo un back-up per il rilascio di emergenza primario.

Nei casi in cui il rilascio primario è non funzionante o non raggiungibile, può essere utilizzato un rilascio di emergenza secondario.


1. Tirare verso l'alto l'impugnatura di EMERGENZA Ⓐ e spingere verso il basso i bracci di sollevamento Ⓑ allo stesso tempo.

4.6 Esecuzione di un arresto di emergenza




1. Premere il pulsante ROSSO Ⓐ sulla centralina Ⓑ per interrompere il sollevamento o l'abbassamento del braccio e del paziente.
2. Per ripristinare, ruotare il pulsante di emergenza in senso orario.

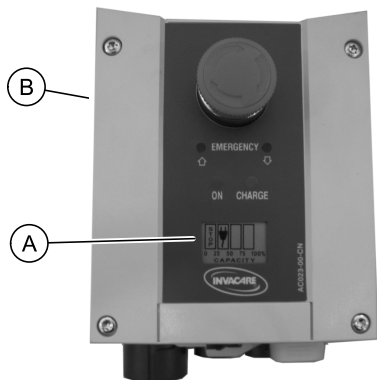
4.7 Carica della batteria

 Invacare raccomanda di caricare quotidianamente la batteria per prolungarne la durata.




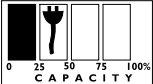
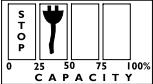
Esistono due metodi diversi per caricare la batteria. Un metodo utilizza un cavo di alimentazione collegato alla centralina, l'altro richiede il montaggio della batteria sul caricabatteria. Seguire la procedura appropriata per caricare la batteria del sollevatore.

4.7.1 Spia della batteria

 Questa procedura è valida solo per i modelli RPS350-1FR.



La spia della batteria **A** si trova sulla centralina **B**. I LED indicano lo stato della batteria:


| Spia della batteria sulla centralina Ⓐ | Stato di carica della batteria | Descrizione |
|---|--------------------------------|---|
|  | 100% Completamente carica | La batteria è OK, non deve essere ricaricata (100%). |
|  | 75% di carica | La batteria è OK, non deve essere ricaricata (75%). |
|  | 50% di carica | La batteria deve essere ricaricata (50%). |
|  | 25% Scarica | La batteria deve essere ricaricata (25%). L'avvisatore acustico emette un suono quando viene premuto un pulsante. |
|  | 0% Scarica | <p>La batteria deve essere ricaricata.</p> <p>Alcune delle funzionalità del sollevatore non sono disponibili ed è solo possibile abbassare il braccio.</p> <p>Quando la batteria è scarica viene emesso un segnale acustico (suono dell'avvisatore acustico). Se il segnale acustico viene emesso durante uno spostamento, completare tale operazione e successivamente caricare la batteria.</p> |

4.7.2 Uso di un cavo di alimentazione per caricare la batteria



AVVERTENZA!

– L’arresto d’emergenza NON DEVE essere attivato; in caso contrario non sarebbe possibile caricare la batteria. Durante la carica, il sollevatore non deve essere usato. NON spostare il sollevatore prima di aver scollegato il cavo di alimentazione dalla presa a muro. NON utilizzare il sollevatore se l’involucro della batteria è danneggiato. Sostituire un involucro batteria danneggiato prima di continuare a usare il sollevatore.

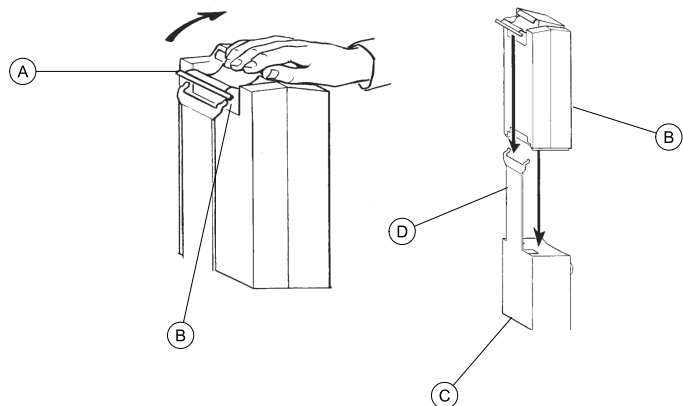
1. Collegare il cavo di alimentazione alla centralina.
2. Collegare il cavo di alimentazione a una presa di corrente.
 -  La carica della batteria sarà completata in circa 4 ore. La ricarica deve essere eseguita in un locale ben ventilato.
3. Una volta completata la ricarica della batteria, scollegare il cavo di alimentazione dalla presa di corrente.




Questa procedura è valida solo per RPS350-1FR.

Ⓐ = Collegare qui il cavo di alimentazione

4.7.3 Uso del caricabatteria per caricare la batteria



 Questa procedura è valida solo per RPS350-1E.

1. Sollevare mediante la maniglia **A** sul retro della batteria **B**.
2. Sollevare la batteria ed estrarla dalla centralina **C**.



AVVERTENZA!

Il montaggio errato della batteria può causare lesioni o danni.

– Quando si posiziona la batteria sul caricabatteria, assicurarsi di sentire uno scatto di conferma del corretto montaggio.

3. Posizionare la batteria sul caricabatteria **D** come mostrato. Assicurarsi di sentire uno scatto.



Il LED di carica si illumina. Quando la ricarica è completa, il LED di carica si spegne.
Una batteria impiega circa quattro ore per essere completamente ricaricata.

4. Sollevare mediante la maniglia sul retro della batteria.
5. Sollevare la batteria ed estrarla dal caricabatteria.



AVVERTENZA!

Il montaggio errato della batteria può causare lesioni o danni.

– Quando si posiziona la batteria sulla centralina, assicurarsi di sentire uno scatto di conferma del corretto montaggio.

6. Rimontare la batteria sulla centralina come mostrato. Assicurarsi di sentire uno scatto.



La batteria viene montata sulla centralina e sul caricabatteria come mostrato.

5 Sollevamento del paziente

5.1 Sollevamento sicuro



ATTENZIONE!

- NON superare il limite massimo di peso (SWL) di 159 kg (25 st). Il peso massimo del paziente è 159 kg (25 st).
- NON tentare alcun tipo di spostamento senza l'approvazione di un professionista sanitario.
- Tenere SEMPRE le mani e le dita lontano da parti in movimento per evitare possibili lesioni.
- Durante lo spostamento con il paziente sospeso all'imbracatura, NON spingere la base del sollevatore su superfici irregolari che potrebbero rendere instabile il sollevatore.
- Utilizzare sempre la maniglia di guida sul gruppo dell'albero per spingere o tirare il sollevatore Stand Assist.



ATTENZIONE!

Funzionamento del sollevatore e sollevamento del paziente

- Assicurarsi che l'apparecchiatura utilizzata con il sollevatore Stand Assist sia in grado di sollevare il carico (ad es. l'imbracatura). Accertarsi che, in caso di malfunzionamento dell'apparecchiatura, la persona che viene sollevata non sia esposta a pericolo.
- Prima di posizionare le gambe del sollevatore Stand Assist intorno al paziente, accertarsi che

i piedi del paziente siano lontano dalla pedana, altrimenti possono verificarsi lesioni.

- Le regolazioni di sicurezza e comfort devono essere eseguite prima di spostare il paziente. Le braccia del paziente devono essere al di fuori delle cinghie dell'imbracatura.



ATTENZIONE!

Funzionamento del sollevatore e sollevamento del paziente

- Prima di sollevare un paziente da un oggetto fisso (carrozzina, comoda o letto), sollevare leggermente il paziente dall'oggetto fisso e controllare che tutti gli attacchi dell'imbracatura siano fissati. Se gli attacchi non sono posizionati correttamente, abbassare il paziente e correggere il problema, quindi sollevare il paziente e controllare di nuovo.
- Durante lo spostamento con il paziente sospeso all'imbracatura collegata al sollevatore, NON spingere le ruote su superfici irregolari che potrebbero causare uno sbilanciamento e il ribaltamento del sollevatore. Utilizzare SEMPRE la maniglia di guida sull'albero per spingere o tirare il sollevatore.
- Invacare raccomanda di bloccare le ruote girevoli posteriori SOLO durante il posizionamento o la rimozione dell'imbracatura (Stand Assist o di spostamento) intorno al paziente.
- Invacare SCONSIGLIA di bloccare le ruote posteriori del sollevatore quando si solleva un

paziente. Ciò potrebbe causare il ribaltamento del sollevatore e mettere in pericolo il paziente e gli assistenti. Invacare **RACCOMANDA** che le ruote posteriori siano sbloccate durante le procedure di sollevamento per consentire al sollevatore di stabilizzarsi quando il paziente viene inizialmente sollevato da una sedia, un letto o qualsiasi oggetto fisso.



ATTENZIONE!

Utilizzo dell'imbracatura

- Per il comfort e la sicurezza del paziente che deve essere sollevato, utilizzare esclusivamente l'imbracatura consigliata da un professionista sanitario.
- I pazienti che utilizzano l'imbracatura Stand Assist DEVONO essere in grado di sostenere la maggior parte del proprio peso, altrimenti possono verificarsi lesioni.
- Le imbracature scolorite, logorate, tagliate, danneggiate o rotte non sono sicure e potrebbero causare lesioni o danni. Gettare via IMMEDIATAMENTE le imbracature con queste caratteristiche.
- NON modificare le imbracature.
- Assicurarsi di controllare gli attacchi dell'imbracatura ogni volta che questa viene rimossa e sostituita, al fine di garantire che sia fissata correttamente prima di spostare il paziente da un oggetto fisso (letto, carrozzina o comoda).
- Se il paziente è in carrozzina, attivare i freni della carrozzina per evitare che questa si muova avanti o indietro.
- Prestare attenzione al fine di evitare che la persona che viene sollevata sia esposta a pericolo e garantire che possa essere spostata senza lesioni.

**ATTENZIONE!****Imbracatura Stand Assist**

- NON utilizzare l'imbracatura Stand Assist insieme al sollevatore come dispositivo di trasporto. È destinata a spostare un paziente da una superficie di riposo a un'altra (ad esempio da un letto a una carrozzina).
- Prima di sollevare il paziente, assicurarsi che il bordo inferiore dell'imbracatura Stand Assist sia posizionato sulla parte lombare del paziente e che le braccia siano al di fuori dell'imbracatura Stand Assist. La cintura DEVE essere salda, ma confortevole per il paziente, altrimenti il paziente può scivolare dall'imbracatura durante lo spostamento causando potenziali lesioni.
- La cintura DEVE essere salda, ma confortevole per il paziente, altrimenti il paziente può scivolare dall'imbracatura durante lo spostamento, causando potenziali lesioni.

Imbracatura Stand Assist di spostamento

- Prima di sollevare il paziente, assicurarsi che il bordo inferiore dell'imbracatura di spostamento sia alla base della colonna vertebrale del paziente e che le braccia siano al di fuori dell'imbracatura di spostamento.
- NON sollevare il paziente completamente in piedi mentre si utilizza l'imbracatura di spostamento, altrimenti possono verificarsi lesioni.



Per ulteriori informazioni, fare riferimento alla brochure dell'imbracatura per pazienti.

5.2 Posizionamento del sollevatore Stand Assist

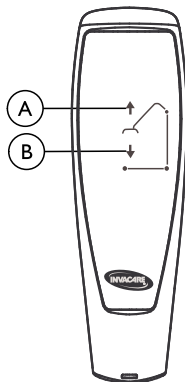
Prima di procedere, fare riferimento alla sezione sulla sicurezza in questo manuale, controllare le informazioni contenute nella sezione 5.1 *Sollevamento sicuro, pagina 250* e rispettare tutte le avvertenze indicate.

Prima di posizionare le gambe del sollevatore sotto un letto, assicurarsi che la zona sia libera da ostruzioni.

**ATTENZIONE!****Rischio di lesioni**

Il sollevatore può ribaltarsi e mettere in pericolo il paziente e gli assistenti.

- Le gambe del sollevatore devono essere nella posizione di massima apertura per ottimizzare la stabilità e la sicurezza. Se è necessario chiudere le gambe del sollevatore per spingere il sollevatore sotto il letto, chiudere le gambe solo finché il sollevatore non viene posizionato sul paziente e finché il paziente non si allontana dal letto. Quando le gambe del sollevatore non sono più sotto il letto, riportare le gambe alla posizione di massima apertura.



| | |
|---------------|----------------|
| Ⓐ Pulsante SU | Ⓑ Pulsante GIÙ |
|---------------|----------------|

1. Assicurarsi che le gambe del sollevatore Stand Assist si trovino nella posizione di massima apertura. Altrimenti usare la manopola di spostamento per aprire le gambe.
2. Posizionare il sollevatore Stand Assist tramite il manico dell'albero.
3. Premere il pulsante freccia giù sulla pulsantiera per abbassare i bracci di sollevamento e favorire l'attacco dell'imbracatura.

5.3 Sollevamento del paziente



ATTENZIONE!

- NON superare il limite massimo di peso (SWL) di 159 kg (25 st). Il peso massimo del paziente è 159 kg (25 st).
- I pazienti che utilizzano l'imbracatura Stand Assist DEVONO essere in grado di sostenere la maggior parte del proprio peso, altrimenti possono verificarsi lesioni.
- NON bloccare le ruote posteriori del sollevatore Stand Assist quando si solleva un paziente. Il blocco delle ruote posteriori potrebbe causare il ribaltamento del sollevatore Stand Assist e mettere in pericolo il paziente e gli assistenti. Lo sblocco delle ruote posteriori durante le procedure di sollevamento consente al sollevatore di stabilizzarsi quando il paziente viene inizialmente sollevato da una carrozzina, un letto o qualsiasi oggetto fisso.
- NON spostare il paziente se l'imbracatura non è collegata adeguatamente ai punti di attacco del sollevatore Stand Assist.
- Assicurarsi che l'imbracatura sia collegata correttamente PRIMA di sollevare il paziente. Se gli attacchi non sono posizionati adeguatamente, correggere il problema. Quando l'imbracatura viene sollevata di qualche cm/pollice dalla superficie fissa e prima di spostare il paziente, assicurarsi di nuovo che l'imbracatura e tutti gli attacchi siano posizionati correttamente. Se si riscontra un problema, abbassare nuovamente il paziente

sulla superficie fissa e correggere il problema, altrimenti possono verificarsi lesioni o danni.

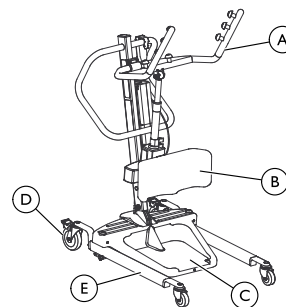
- Le regolazioni di sicurezza e comfort devono essere eseguite prima di spostare il paziente.

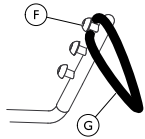
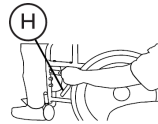


ATTENZIONE!

- Per il comfort e la sicurezza del paziente che deve essere sollevato, utilizzare esclusivamente l'imbracatura consigliata dal medico, dall'infermiere o dall'assistente sanitario che seguono il paziente. Le imbracature per pazienti Invacare sono appositamente progettate per l'uso con i sollevatori Invacare. In alcuni casi è possibile utilizzare imbracature di altri produttori con i sollevatori Invacare. Per ulteriori informazioni, contattare l'ufficio Invacare locale.

Dettaglio A - Sollevatore Stand Assist



Dettaglio B - Attacco dell'imbracatura**Dettaglio C - Freni**

| | |
|-------------------------------|---------------------------|
| Ⓐ Impugnatura | Ⓔ Gamba |
| Ⓑ Cuscinetto per le ginocchia | Ⓕ Gancio |
| Ⓒ Pedana | Ⓖ Anello dell'imbracatura |
| Ⓓ Ruota posteriore | Ⓗ Freno |



Per ulteriori informazioni, fare riferimento al manuale d'uso dell'imbracatura per pazienti.

Il paziente DEVE essere innanzitutto in posizione seduta. Utilizzare la sezione della testiera del letto per posizionare il paziente verticalmente, quindi spostare le gambe sul lato del letto.

1. Chiedere al paziente di tenere le impugnature su entrambi i lati del sollevatore Stand Assist (Dettaglio A).
2. Chiedere al paziente di appoggiarsi sull'imbracatura di sostegno o spostamento.

**ATTENZIONE!**

- Imbracature Stand Assist - Prima di sollevare il paziente, assicurarsi che il bordo inferiore dell'imbracatura sia posizionato sulla parte lombare del paziente e che le braccia siano al di fuori dell'imbracatura.
- Imbracature Stand Assist di spostamento - Prima di sollevare il paziente, assicurarsi che il bordo inferiore dell'imbracatura sia alla base della colonna vertebrale del paziente e che le braccia siano al di fuori dell'imbracatura.

3. Assicurarsi che:
 - a. Le ginocchia del paziente siano posizionate saldamente sul relativo supporto.
 - b. I piedi del paziente siano adeguatamente posizionati sulla pedana.
 - c. Imbracature:
 - Il bordo inferiore dell'imbracatura Stand Assist è posizionato sulla parte lombare del paziente.
 - Il bordo inferiore dell'imbracatura Stand Assist di spostamento è posizionato sulla base della colonna vertebrale del paziente.
 - Le braccia del paziente sono al di fuori dell'imbracatura.
 - Gli anelli dell'imbracatura sono completamente sui ganci dei bracci di sollevamento (Dettaglio B).
 - d. Le ruote posteriori sono sbloccate.
 - e. Le gambe si trovano nella posizione di massima apertura.



ATTENZIONE!

- Se si sposta un paziente da una carrozzina, i freni di quest'ultima DEVONO essere in posizione bloccata prima di abbassare il paziente nella carrozzina. In caso contrario, possono verificarsi lesioni.

4. In caso di spostamento da una carrozzina, inserire i freni sulla carrozzina (Dettaglio C).
5. Premere il pulsante freccia SU sulla pulsantiera per sollevare il paziente sopra la superficie (letto, carrozzina o comoda). Il peso del paziente viene sostenuto completamente dal sollevatore Stand Assist.



Il baricentro più basso fornisce stabilità, facendo sentire il paziente più sicuro e rendendo il sollevatore più facile da spostare.

5.4 Spostamento del paziente



ATTENZIONE!

- Le gambe del sollevatore Stand Assist DEVONO essere nella posizione di massima apertura per ottimizzare la stabilità e la sicurezza. Se il paziente si trova in un'imbracatura e occorre spostarsi attraverso un passaggio stretto, chiudere le gambe del sollevatore Stand Assist solo per lo spazio necessario per spostarsi attraverso il passaggio. Quando il sollevatore Stand Assist ha superato il passaggio, riportare le gambe nella posizione di massima apertura.
- Durante lo spostamento di un paziente sospeso all'imbracatura del sollevatore, NON spingere le ruote su superfici irregolari che potrebbero causare uno sbilanciamento del sollevatore. Ciò potrebbe portare a un ribaltamento del sollevatore. Utilizzare sempre il manico dell'albero per spingere o tirare il sollevatore.

1. Assicurarsi che le gambe del sollevatore Stand Assist si trovino nella posizione di massima apertura. Altrimenti premere il pulsante OPEN LEGS (APERTURA GAMBE) sulla pulsantiera per spostare le gambe nella posizione di massima apertura.
2. Allontanare il sollevatore Stand Assist dalla superficie da cui viene spostato.
3. Spostare lentamente il paziente verso la superficie desiderata.

6 Trasferimento del paziente

6.1 Spostamento sicuro



ATTENZIONE!

- NON superare il limite massimo di peso (SWL) di 159 kg (25 st). Il peso massimo del paziente è 159 kg (25 st).
- NON tentare di spostare il paziente senza l'approvazione di un professionista sanitario. Leggere attentamente le istruzioni contenute nel presente manuale d'uso, osservare un team qualificato di esperti eseguire le procedure di sollevamento, quindi effettuare più volte l'intera procedura di sollevamento con l'adeguata supervisione e con una persona abile che funga da paziente. Può essere fornito un corso di formazione. Per ulteriori informazioni, contattare l'ufficio Invacare locale.
- NON spostare il paziente se l'imbracatura non è collegata adeguatamente ai punti di attacco del sollevatore Stand Assist. Controllare che l'imbracatura sia collegata correttamente ai punti di attacco prima di sollevare un paziente. Se gli attacchi non sono posizionati adeguatamente, correggere il problema. Quando l'imbracatura viene sollevata di qualche cm/pollice dalla superficie fissa e prima di spostare il paziente, assicurarsi di nuovo che tutti gli attacchi dell'imbracatura siano fissati saldamente. Se gli attacchi non sono posizionati adeguatamente, abbassare di nuovo il paziente

sulla superficie fissa e correggere il problema, altrimenti possono verificarsi lesioni o danni.



ATTENZIONE!

- Le regolazioni di sicurezza e comfort devono essere eseguite prima di spostare il paziente. Le braccia del paziente devono essere al di fuori delle cinghie.
- Per il comfort e la sicurezza del paziente che deve essere sollevato, utilizzare esclusivamente l'imbracatura consigliata da un professionista sanitario.
- NON bloccare le ruote posteriori del sollevatore Stand Assist quando si solleva un paziente. Il blocco delle ruote posteriori potrebbe causare il ribaltamento del sollevatore Stand Assist e mettere in pericolo il paziente e gli assistenti.
- Le gambe del sollevatore Stand Assist DEVONO essere nella posizione di massima apertura per ottimizzare la stabilità e la sicurezza. Se il paziente si trova in un'imbracatura e occorre spostarsi attraverso un passaggio stretto, chiudere le gambe del sollevatore Stand Assist solo per lo spazio necessario per spostarsi attraverso il passaggio. Quando il sollevatore Stand Assist ha superato il passaggio, riportare le gambe nella posizione di massima apertura. Se è necessario chiudere le gambe per spingere il sollevatore Stand Assist sotto il letto, chiudere le gambe solo finché il sollevatore Stand Assist non viene posizionato sul paziente e finché il paziente non si allontana dal letto. Quando

le gambe del sollevatore Stand Assist non sono più sotto il letto, riportare le gambe alla posizione di massima apertura.

- Assicurarsi di controllare gli attacchi dell'imbracatura ogni volta che questa viene rimossa e sostituita, al fine di garantire che sia fissata correttamente prima di spostare il paziente da una superficie.

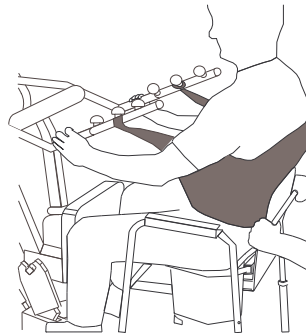
Lo svolgimento con un assistente si basa sulla valutazione del professionista sanitario per ogni singolo caso.

6.2 Spostamento su una comoda

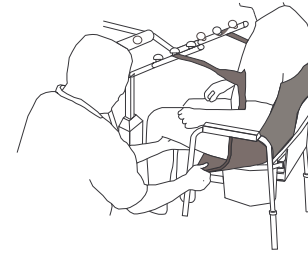
Dettaglio A



Dettaglio B




Dettaglio C



ATTENZIONE!

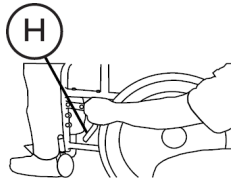
- Invacare raccomanda di bloccare le ruote girevoli posteriori solo durante il posizionamento o la rimozione dell'imbracatura intorno al paziente.

1. Sollevare il paziente dal lato del letto.
2. Premere il pulsante SU sulla pulsantiera per sollevare il paziente a un'altezza sufficiente a liberare i braccioli della carrozzina comoda. Il peso viene sostenuto dal sollevatore Stand Assist.
3. Guidare il paziente sulla carrozzina comoda. Ciò potrebbe richiedere due assistenti.
4. Premere il pulsante freccia giù per abbassare il paziente sulla carrozzina comoda.
5. Bloccare le ruote girevoli posteriori sul sollevatore Stand Assist.

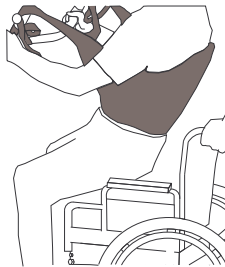
6. A seconda dello stile dell'imbracatura, effettuare una delle seguenti operazioni:
 - Imbracatura Stand Assist - sganciare l'imbracatura Stand Assist dai punti di attacco del sollevatore Stand Assist.
 - Imbracatura Stand Assist di spostamento -
 - a. sganciare l'imbracatura Stand Assist di spostamento dai punti di attacco inferiori del sollevatore Stand Assist.
 - b. Sollevare le gambe del paziente e rimuovere i supporti per le cosce posti sotto il paziente.
 - c. Se lo si desidera, sganciare l'imbracatura Stand Assist di spostamento dai punti di attacco superiori del sollevatore Stand Assist.
-  Il paziente può rimanere nella parte superiore dell'imbracatura Stand Assist di spostamento mentre si utilizza la comoda.
7. Chiedere al paziente di sollevare i piedi dalla pedana o assisterlo in tale operazione.
 8. Rimuovere l'imbracatura intorno al paziente.
 9. Sbloccare le ruote posteriori e allontanare il sollevatore Stand Assist dalla comoda.
 10. Al termine, verificare nuovamente il fissaggio corretto dell'imbracatura.

6.3 Spostamento su una carrozzina

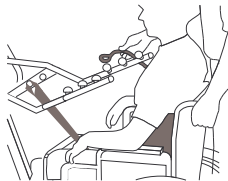
Dettaglio A





Dettaglio B



Dettaglio C



  = Freno della carrozzina

1. Assicurarsi che le gambe del sollevatore con il paziente nell'imbracatura si trovino nella posizione di apertura. Premere il pulsante per aprire le gambe fino alla posizione di massima apertura.
2. Spostare la carrozzina in posizione.
3. Inserire i freni della carrozzina per evitare lo spostamento della carrozzina (Dettaglio A).



ATTENZIONE!

– NON posizionare il paziente nella carrozzina se i freni non sono inseriti. I freni della carrozzina DEVONO essere in posizione bloccata prima di abbassare il paziente nella carrozzina per il trasporto. In caso contrario, possono verificarsi lesioni.

4. Posizionare il paziente sulla carrozzina (Dettaglio "B").
5. Premere il pulsante freccia giù e abbassare il paziente nella carrozzina.




ATTENZIONE!

– Bloccare le ruote girevoli posteriori SOLO durante il posizionamento o la rimozione dell'imbracatura (Stand Assist o Stand Assist di spostamento) intorno al paziente. In caso contrario, possono verificarsi lesioni.


6. Bloccare le ruote girevoli posteriori.
7. Sganciare l'imbracatura da tutti i punti di attacco del sollevatore (Dettaglio C).

8. Chiedere al paziente di sollevare i piedi dalla pedana. Assisterlo, se necessario.
9. Rimuovere l'imbracatura intorno al paziente.
10. Sbloccare le ruote posteriori e allontanare il sollevatore Stand Assist dalla carrozzina.

6.4 Trasferimento su un letto

 Il baricentro più basso fornisce stabilità, facendo sentire il paziente più sicuro e rendendo il sollevatore più facile da spostare.

1. Posizionare il paziente il più possibile sul letto.

 Se il paziente viene spostato da una superficie più bassa rispetto al letto, premere il pulsante freccia su per sollevare il paziente al di sopra della superficie del letto. Il paziente deve essere sollevato a un'altezza tale che il peso sia supportato completamente dal sollevatore.

2. Premere il pulsante freccia giù e abbassare il paziente sul letto.



ATTENZIONE!

– Invacare raccomanda di bloccare le ruote girevoli posteriori SOLO durante il posizionamento o la rimozione dell'imbracatura intorno al paziente.

3. Bloccare le ruote girevoli posteriori.
4. Sganciare l'imbracatura Stand Assist o Stand Assist di trasferimento da tutti i punti di attacco del sollevatore Stand Assist.

5. Chiedere al paziente di sollevare i piedi dalla pedana.



Assisterlo, se necessario.


6. Rimuovere l'imbracatura Stand Assist o Stand Assist di trasferimento intorno al paziente.
7. Sbloccare le ruote posteriori e allontanare il sollevatore Stand Assist dal letto.

7 Guida alla soluzione dei problemi

7.1 Tabella delle soluzioni dei problemi

| SINTOMI | GUASTI | SOLUZIONE |
|--|--|--|
| Suono rumoroso o secco dei perni. | Lubrificazione necessaria. | Fare riferimento alla sezione 8.5 <i>Lubrificazione del sollevatore, pagina 267</i> |
| L'attuatore elettrico non riesce a sollevare quando viene premuto il pulsante. | Connettore della pulsantiera o dell'attuatore allentato. | Collegare il connettore della pulsantiera o dell'attuatore. Assicurarsi che i connettori siano inseriti correttamente e siano completamente collegati. |
| | Batteria scarica. | Caricare le batterie. Fare riferimento alla sezione 4.7 <i>Carica della batteria, pagina 246</i> |
| | Il pulsante rosso di arresto di emergenza è PREMUTO. | Ruotare il pulsante ROSSO di arresto di emergenza IN SENSO ORARIO finché non scatta sollevandosi. |
| | Batteria non collegata correttamente alla centralina. | Ricollegare la batteria alla centralina. Fare riferimento alla sezione 4.7 <i>Carica della batteria, pagina 246</i> |
| | I terminali di collegamento sono danneggiati. | Sostituire il gruppo batterie. Fare riferimento alla sezione 4.7 <i>Carica della batteria, pagina 246</i> |
| | L'attuatore elettrico necessita di manutenzione oppure il carico è troppo elevato. | Fare riferimento alla sezione 8.7 <i>Sostituzione dell'attuatore elettrico, pagina 269</i> Contattare il rivenditore o il rappresentante Invacare. |

| SINTOMI | GUASTI | SOLUZIONE |
|--|--|---|
| Rumore inconsueto dall'attuatore del braccio di sollevamento. | L'attuatore è usurato o danneggiato o il mandrino è piegato. | Fare riferimento alla sezione 8.7 <i>Sostituzione dell'attuatore elettrico, pagina 269</i> Contattare il rivenditore o il rappresentate Invacare. |
| I bracci di sollevamento non si abbassano quando si trovano nella posizione superiore. | I bracci di sollevamento richiedono un peso minimo come carico per abbassarsi dalla posizione superiore. | Tirare i bracci di sollevamento leggermente verso il basso. |
| Le gambe non si aprono e chiudono correttamente. | Potrebbe essere necessaria una regolazione della base. | Fare riferimento alla sezione 8.6 <i>Regolazione della base, pagina 268</i> |

 Se i problemi non vengono risolti con quanto suggerito, contattare il rivenditore o Invacare.

8 Manutenzione

8.1 Lista di controllo per la sicurezza e la manutenzione



ATTENZIONE!

- La manutenzione DEVE essere eseguita ESCLUSIVAMENTE da personale qualificato.
- Una persona competente deve garantire che la forza e la stabilità del prodotto rimangano adeguate per tutte le attività se le parti vengono sostituite.
- NON sovraccaricare gli elementi di montaggio, poiché le staffe di fissaggio potrebbero essere danneggiate.



Seguire le procedure di manutenzione descritte nel presente manuale per mantenere il sollevatore in servizio continuo.

Il sollevatore Invacare è progettato per fornire il massimo di sicurezza, efficienza e servizio soddisfacente con cura e manutenzione minime.

Tutte le parti del sollevatore Invacare sono realizzate con i migliori gradi di acciaio, tuttavia un contatto metallo-metallo causa usura dopo un uso notevole.

Non è necessaria alcuna regolazione o manutenzione delle ruote, ma soltanto la pulizia, la lubrificazione e il controllo del serraggio dei bulloni dell'asse e di quelli di orientamento. Rimuovere tutta la sporcizia, ecc. dalle ruote

e dai cuscinetti girevoli. In caso di parti usurate, sostituirle IMMEDIATAMENTE.

In caso di dubbi sulla sicurezza di qualsiasi parte del sollevatore, contattare IMMEDIATAMENTE il rivenditore.

Le normative sulle operazioni e sulle attrezzature di sollevamento del 1998 del Comitato esecutivo per la salute e la sicurezza del Regno Unito richiedono che ogni attrezzatura utilizzata nei luoghi di lavoro per sollevare un carico sia sottoposta a un controllo di sicurezza una volta ogni sei mesi. Tale controllo deve essere eseguito da un tecnico adeguatamente formato. Per istruzioni, fare riferimento al sito Web HSE (www.hse.gov.uk).

La manutenzione regolare del sollevatore e degli accessori è necessaria per garantire il corretto funzionamento. È responsabilità della persona addetta al sollevatore garantire che la manutenzione venga effettuata.

Dopo i primi 12 mesi di utilizzo, controllare tutti i punti di snodo e fissaggio per verificare che non siano usurati. Se il metallo è usurato, le parti DEVONO essere sostituite. Successivamente, eseguire questa ispezione ogni sei mesi.

| | |
|---|-----------|
| Data di controllo: | Iniziali: |
| LA BASE DELLE RUOTE | |
| <input type="checkbox"/> Verificare che non manchino gli elementi. <input type="checkbox"/> La base si apre/chiude con facilità. <input type="checkbox"/> Verificare la tenuta delle ruote e dei perni girevoli. <input type="checkbox"/> Verificare che le ruote si orientino e scorrono agevolmente. <input type="checkbox"/> Controllare e pulire le ruote dalla sporcizia. <input type="checkbox"/> Verificare che i punti di snodo non siano usurati. | |
| IMBRACATURE ED ELEMENTI | |
| <input type="checkbox"/> Controllare tutti gli attacchi delle imbracature ogni volta che vengono utilizzati per garantire un corretto fissaggio e la sicurezza dei pazienti. <input type="checkbox"/> Verificare che il materiale delle imbracature non sia usurato. <input type="checkbox"/> Verificare che le cinghie non siano usurate. <input type="checkbox"/> Controllare le cuciture. | |
| IL GRUPPO ATTUATORE ELETTRICO | |
| <input type="checkbox"/> Controllare l'assenza di perdite. <input type="checkbox"/> Controllare gli elementi sull'albero, sul braccio e sulla base. <input type="checkbox"/> Verificare che non siano presenti segni di usura o di deterioramento. In caso di danni, restituire alla fabbrica. <input type="checkbox"/> Eseguire un ciclo per garantire il corretto funzionamento regolare e silenzioso dell'attuatore elettrico. | |

BRACCI DI SOLLEVAMENTO E PARTI DI COLLEGAMENTO

- Controllare tutti gli elementi e i punti di fissaggio.
- Verificare che non siano presenti piegature o curvature.
- Verificare che le giunture imbullonate dei bracci di sollevamento non siano usurate.
- Controllare per assicurarsi che i bracci di sollevamento siano centrati tra le gambe della base.
- Verificare che i punti di snodo non siano usurati.
- Verificare che i ganci dell'imbracatura non siano usurati o che non presentino curvature.

L'ALBERO

- L'albero deve essere saldamente montato sui bracci di sollevamento.
- Verificare che non siano presenti piegature o curvature.
- Verificare che i punti di snodo non siano usurati.

PULIZIA

- Ogni volta necessario.

8.2 Pulizia dell'imbracatura e del sollevatore**ATTENZIONE!**

– Dopo OGNI lavaggio (nel rispetto delle istruzioni di lavaggio riportate sull'imbracatura), controllare che l'imbracatura non presenti segni di usura, logoramento e cuciture allentate. Gettare via IMMEDIATAMENTE le imbracature per pazienti con queste caratteristiche.

Pulizia dell'imbracatura

L'imbracatura deve essere lavata regolarmente con acqua a temperatura non superiore a 95°C e una soluzione biologica. Fare riferimento alle istruzioni di lavaggio presenti nel manuale d'uso dell'imbracatura.

Pulizia e disinfezione del sollevatore

Per evitare la trasmissione di infezioni, il sollevatore deve essere pulito e disinfettato dopo ogni uso.

Per la pulizia del sollevatore è necessario un panno morbido inumidito con acqua e una piccola quantità di detergente neutro. Il sollevatore può essere pulito con un detergente non abrasivo.

Non utilizzare mai acidi, alcalini o solventi per pulire il sollevatore. Asciugare con cura dopo la pulizia.

I motori, l'unità di controllo e gli elementi di montaggio possono essere danneggiati se il sollevatore viene pulito in modo diverso da quanto indicato in precedenza.

Il sollevatore deve essere pulito con un panno umido e ben strizzato, con normali disinfettanti per uso domestico. Utilizzare esclusivamente disinfettanti approvati dalla struttura sanitaria.

8.3 Riutilizzo

Questo prodotto è adatto per essere riutilizzato. Il numero massimo di volte per cui può essere riutilizzato dipende dalla condizione del prodotto.

Per evitare la trasmissione di infezioni, il sollevatore e le imbracature devono essere puliti dopo ogni uso. Prima

del riutilizzo, fare riferimento alla sezione *8.2 Pulizia dell'imbracatura e del sollevatore, pagina 266*

8.4 Rilevamento di usura e danni

È importante verificare che in tutte le parti che subiscono uno sforzo, come le imbracature, il braccio di sollevamento e qualsiasi perno per le imbracature, non siano presenti segni di rottura, sfilacciamento, deformazione o deterioramento. Sostituire IMMEDIATAMENTE le parti difettose e assicurarsi che il sollevatore non venga utilizzato finché non vengono eseguite le riparazioni.

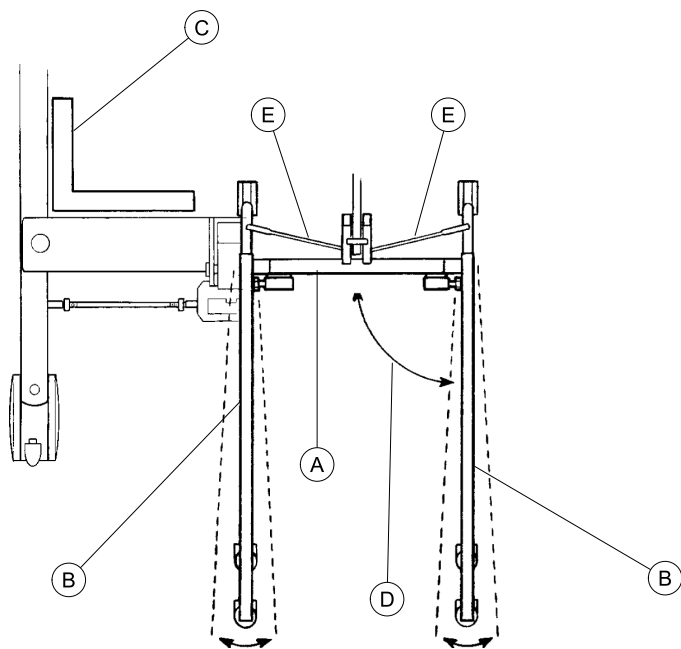
8.5 Lubrificazione del sollevatore

Il sollevatore Invacare è progettato per richiedere una manutenzione minima. Tuttavia, un controllo semestrale e la lubrificazione dovrebbero garantire sicurezza e affidabilità nel tempo.

Tenere il sollevatore e le imbracature puliti e in perfette condizioni di funzionamento. Qualsiasi difetto deve essere rilevato e segnalato il prima possibile al proprio rivenditore.

Le ruote DEVONO orientarsi e scorrere agevolmente. È possibile applicare un grasso leggero (lubrificante auto impermeabile) sui cuscinetti a sfera delle ruote una volta all'anno. Applicare con maggiore frequenza se le ruote sono esposte a estreme condizioni di umidità.

8.6 Regolazione della base



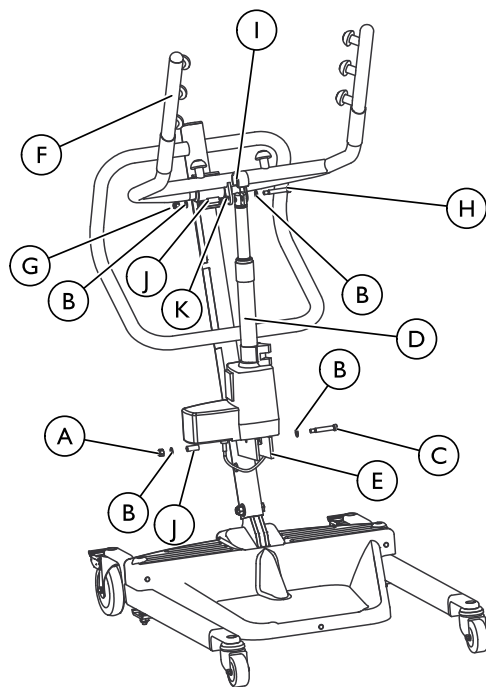
La regolazione della base (A) non dovrebbe richiedere ulteriori attenzioni, a parte la regolazione della tiranteria.

- ! Si rischia di danneggiare il sollevatore.
- Le gambe devono essere in posizione completamente chiusa prima di regolare la tiranteria.

1. Chiudere completamente le gambe del sollevatore. Fare riferimento alla sezione 4.2.1 *Chiusura/apertura manuale delle gambe*, pagina 242
2. Controllare la perpendicolarità delle gambe (B) quando si trovano in posizione chiusa.
3. Posizionare una squadra (C) tra l'interno delle gambe e la base per determinare l'allineamento a 90° (D).
4. Regolare la tiranteria (E) fino a ottenere l'allineamento a 90°.

- ! Si rischia di danneggiare il sollevatore.
- NON regolare la tiranteria in modo che le gambe presentino un allineamento inferiore a 90°.

8.7 Sostituzione dell'attuatore elettrico



| | |
|-----------------------------------|---|
| Ⓔ Staffa di fissaggio dell'albero | Ⓚ Staffa di fissaggio del braccio di sollevamento |
| Ⓕ Braccio di sollevamento | |



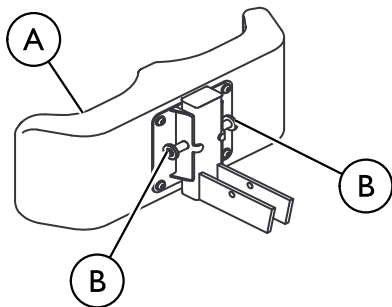
ATTENZIONE!

– NON stringere eccessivamente gli elementi di montaggio. Questo danneggia le staffe di fissaggio.

1. Rimuovere il dado inferiore, le rondelle, il bullone a colletto e la boccola che bloccano l'attuatore elettrico alla staffa di fissaggio dell'albero.
2. Appoggiare il braccio di sollevamento sulla spalla e rimuovere il dado superiore, il bullone, la staffa, la boccola e le rondelle dalla staffa di fissaggio del braccio di sollevamento.
3. Rimuovere l'attuatore elettrico.
4. Eseguire i PASSAGGI 1–3 per montare il nuovo attuatore elettrico.

| | |
|-----------------------|------------------|
| Ⓐ Dado inferiore | Ⓒ Dado superiore |
| Ⓑ Rondella | Ⓗ Bullone |
| Ⓒ Bullone a colletto | Ⓘ Staffa |
| Ⓓ Attuatore elettrico | Ⓝ Boccola |

8.8 Regolazione dell'altezza del cuscinetto per le ginocchia



1. Scegliere un'impostazione dell'altezza confortevole per il paziente e fornire il supporto necessario.



Il cuscinetto per le ginocchia deve essere posizionato in modo che le ginocchia vengano a contatto con il cuscinetto stesso.

2. Usando entrambe le mani, tirare contemporaneamente i due perni di regolazione verso l'esterno.
3. Posizionare il cuscinetto per le ginocchia all'altezza desiderata e rilasciare i perni di regolazione nei corrispondenti fori di allineamento.
4. Verificare per assicurarsi che entrambi i perni siano fissati.

Ⓐ Cuscinetto per le ginocchia

Ⓑ Perna di regolazione



ATTENZIONE!

- NON regolare MAI il cuscinetto per le ginocchia mentre il paziente si trova in piedi.
- NON cercare MAI di regolare il cuscinetto per le ginocchia mentre il sollevatore è in movimento.
- Assicurarsi SEMPRE che i perni di regolazione siano fissati ai corrispondenti fori di regolazione dell'altezza prima dell'uso.


9 Dati Tecnici

9.1 Sollevatore paziente Stand Assist RPS3501E e RPS3501FR

| | |
|--|--|
| Altezza di aggancio dell'imbracatura - MAX | 168 cm |
| Altezza di aggancio dell'imbracatura - MIN | 102 cm |
| Larghezza base (aperta) | 94 cm |
| Larghezza base (chiusa) | 66 cm |
| Altezza base (distanza da terra) | 11,5 cm |
| Lunghezza base | 90 cm |
| Altezza complessiva | 125 cm |
| Lunghezza complessiva | 99 cm |
| Larghezza complessiva | 65,5 cm |
| Dimensione delle ruote (ANTERIORI/POSTERIORI) | 8 cm / 13 cm |
| Opzioni dell'imbracatura | Stand Assist o Stand Assist di spostamento |
| Materiale dell'imbracatura | Poliestere |
| Limite massimo di peso (SWL) (paziente + imbracatura + bracci di sollevamento) | 159 kg (25 st) |
| Peso massimo del paziente | 159 kg (25 st) |
| Peso totale (peso fuori imballaggio) | 49 kg (8 st) |
| Batteria (tensione in uscita) | 24 V c.c. mb max. 240 VA (RCHBL) |

| | |
|--|---|
| Ingresso caricabatteria (tensione di alimentazione) | 100-240 V c.a. ~ 50/60 Hz |
| Uscita caricabatteria / tempo di carica | 29,5 V c.c. 2,9 Ah massimo 6 ore |
| Avvisatore audio/acustico di batteria scarica | Sì |
| Dispositivi di sicurezza del motore | Anti-intrappolamento |
| *Sollevamenti approssimativi per carica (capacità operativa) | *100-200 cicli per carica |
| Corrente di ingresso massima | Max. 400 mA |
| Temperatura di esercizio | da 5 a 40 °C |
| Umidità dell'aria | dal 20% al 90% a 30, non condensante |
| Pressione acustica | < 50 dB |
| Pressione atmosferica | da 700 a 1060 hPa |
| Temperatura di immagazzinamento | superiore a 0 °C |
| Umidità dell'aria di immagazzinamento | inferiore al 60% |
| Pressione atmosferica di immagazzinamento | da 700 hPa a 1060 hPa |
| Grado di protezione, unità di controllo | IPX4 |
| Grado di protezione, pulsantiera | IPX4 |
| Grado di protezione, motore | IPX4 |
| Classe di isolamento | Apparecchiatura di classe II, parte applicata di tipo B |
| Intermittente | 10%, max, 2 minuti/18 minuti |
| Capacità della batteria | 2,9 Ah |

| | |
|--|--|
| Abbassamento di emergenza manuale | Sì |
| Abbassamento/sollevamento di emergenza elettrico | Sì/Sì |
| Durata prevista | 8 anni |
| Velocità di sollevamento | Il sollevatore adotta la "velocità di sollevamento e abbassamento" indicata nello standard ENISO10535 (<0,15 m/s con il carico massimo e <0,25 m/s senza carico) |

 * Variabili a seconda del carico e della corsa.

Inhoudsopgave

Deze handleiding dient te worden overhandigd aan de gebruiker van het product. Lees deze handleiding VÓÓR u het product gebruikt en bewaar hem voor eventuele raadplegingen in de toekomst.

| | |
|--|------------|
| 1 Algemeen | 274 |
| 1.1 Symbolen | 274 |
| 1.2 Gebruiksdoel | 275 |
| 1.2.1 Contra-indicaties | 275 |
| 1.3 Inbegrepen onderdelen | 276 |
| 1.4 Levensduur | 277 |
| 1.5 Garantie-informatie | 277 |
| 2 Veiligheid | 278 |
| 2.1 Algemene richtlijnen | 278 |
| 2.2 Informatie over de werking | 278 |
| 2.2.1 Algemeen | 279 |
| 2.2.2 Plaatsing | 280 |
| 2.2.3 Afvoeren | 281 |
| 2.3 Interferentie door radiofrequentie | 281 |
| 2.4 Productlabels | 282 |
| 3 Montage | 283 |
| 3.1 Veilige montage | 283 |
| 3.2 Het mastgedeelte op het onderstel monteren | 284 |
| 3.3 Lift klaarmaken voor gebruik | 284 |
| 3.4 Plaats de schuifhandgreep | 285 |
| 3.5 De montagebeugel van de acculader aan de muur bevestigen | 285 |
| 4 Gebruik | 287 |
| 4.1 Inleiding | 287 |
| 4.2 De poten inklappen en uitklappen | 287 |
| 4.2.1 De poten uitklappen en inklappen | 287 |
| 4.3 De achterste vergrendeling in- of uitschakelen | 288 |
| 4.4 De lift omhoog/omlaag brengen | 288 |

| | |
|---|------------|
| 4.4.1 Een elektrische lift omhoog of omlaag brengen | 288 |
| 4.5 Een mechanische noodstop activeren | 289 |
| 4.5.1 Primaire noodstop | 289 |
| 4.5.2 Secundaire noodstop | 290 |
| 4.6 Een noodstop uitvoeren | 291 |
| 4.7 De accu opladen | 291 |
| 4.7.1 Acculampje | 291 |
| 4.7.2 De accu opladen met een voedingskabel | 293 |
| 4.7.3 De accu opladen met de acculader | 294 |
| 5 De patiënt optillen | 295 |
| 5.1 Veilig omhoog tillen | 295 |
| 5.2 Het omhoog tillen voorbereiden | 297 |
| 5.3 De patiënt optillen | 298 |
| 5.4 De patiënt verplaatsen | 301 |
| 6 De patiënt verplaatsen | 302 |
| 6.1 Veilige verplaatsing | 302 |
| 6.2 Verplaatsen naar een toiletstoel | 303 |
| 6.3 Verplaatsen naar een rolstoel | 305 |
| 6.4 Verplaatsen naar een bed | 306 |
| 7 Problemen oplossen | 307 |
| 7.1 Tabel voor het oplossen van problemen | 307 |
| 8 Onderhoud | 309 |
| 8.1 Vedligeholdelse, afkrydsningsliste til sikkerhedsinspektion | 309 |
| 8.2 De draagband en de lift reinigen | 310 |
| 8.3 Hergebruiken | 311 |
| 8.4 Controleren op slijtage en beschadiging | 311 |
| 8.5 De lift smeren | 311 |
| 8.6 Onderhoud aan de instellingen van het onderstel | 312 |
| 8.7 De elektrische actuator vervangen | 313 |
| 8.8 De hoogte van het kniekussen instellen | 313 |
| 9 Technische Specificaties | 315 |
| 9.1 RPS350-1E en RPS350-1FR Stand Assist Patient Lift | 315 |

1 Algemeen

1.1 Symbolen

In deze handleiding worden symbolen gebruikt die van toepassing zijn op gevaren of onveilige handelingen die kunnen leiden tot persoonlijk letsel of schade aan eigendommen. Zie de onderstaande informatie voor de definities van de symbolen.



WAARSCHUWING!

– Een waarschuwing duidt op een mogelijk gevaarlijke situatie die, indien deze niet wordt vermeden, kan leiden tot overlijden of ernstig letsel.



LET OP!

– De aanduiding 'Voorzichtig' duidt op een mogelijk gevaarlijke situatie die, indien deze niet wordt vermeden, kan leiden tot schade aan eigendommen en/of licht lichamelijk letsel.



BELANGRIJK

– Duidt op een gevaarlijke situatie die kan leiden tot schade aan eigendommen als de situatie niet wordt vermeden.



Nuttige tips, adviezen en informatie voor efficiënt, probleemloos gebruik.



Fabricagedatum.



Dit product voldoet aan richtlijn 93/42/EEG betreffende medische hulpmiddelen.

De introductiedatum van dit product staat vermeld in de CE-conformiteitsverklaring.



Lees de handleiding



Geluid wanneer batterij bijna leeg is. Zie 4.7 *De accu opladen, pagina 291*



Zwenkwielvergrendeling.



Poten inklappen/uitklappen



De arm omhoog/omlaag brengen



Noodstop



Veilig te belasten tot maximaal



Dubbel geïsoleerde, klasse II-apparatuur



Toegepast onderdeel van type B



Dit product recycelen. Zie 2.2.3 Afvoeren, pagina 281

1.2 Gebruiksdoel



WAARSCHUWING!

Risico op vallen

De mobiele patiëntlift van Invacare is GEEN vervoermiddel. De lift heeft tot doel een persoon van het ene rustoppervlak naar het andere te verplaatsen (bijvoorbeeld van een bed naar een rolstoel).

Invacare-draagbanden en -patiëntliftaccessoires zijn specifiek ontworpen voor gebruik in combinatie met Invacare-patiëntliften.

Ter voorkoming van letsel of vallen:

- Een patiënt die met de Stand Assist-lift wordt verplaatst, MOET in staat zijn mee te werken, zich voldoende bewust zijn van de situatie en een goede controle hebben over hoofd en nek. Er kan anders lichamelijk letsel optreden.
- Een patiënt die met de Stand Assist-sling wordt verplaatst, MOET in staat zijn een groot deel van zijn/haar eigen gewicht te ondersteunen. Er kan anders lichamelijk letsel of schade optreden. Raadpleeg de gebruikershandleiding bij de sling voor meer informatie.

De mobiele patiëntlift werkt op een accu en is ontworpen voor de meeste situaties waarin doorgaans getild moet worden, zoals:

- tussen het bed en een rolstoel;
- van en naar het toilet;

De verplaatsbare patiëntlift is uitsluitend bedoeld voor het optillen van patiënten die de maximale gewichtslimiet volgens de technische gegevens niet overschrijden.

Voor een veilig gebruik van de patiëntlift is het belangrijk om bij elk persoon de juiste draagbanden en accessoires te kiezen. Zie de Invacare-gebruikershandleidingen bij de draagbanden en accessoires voor meer informatie over deze hulpmiddelen.

Invacare raadt u aan om de patiënt voor het baden te verplaatsen naar bijvoorbeeld een douchestoel of iets vergelijkbaars.

De mobiele patiëntlift kan worden gedraaid (om zijn as) voor het verplaatsen van patiënten in kleine ruimten.

1.2.1 Contra-indicaties

Het gebruik van de Stand Assist-patiëntlift is gecontra-indiceerd voor patiënten die:

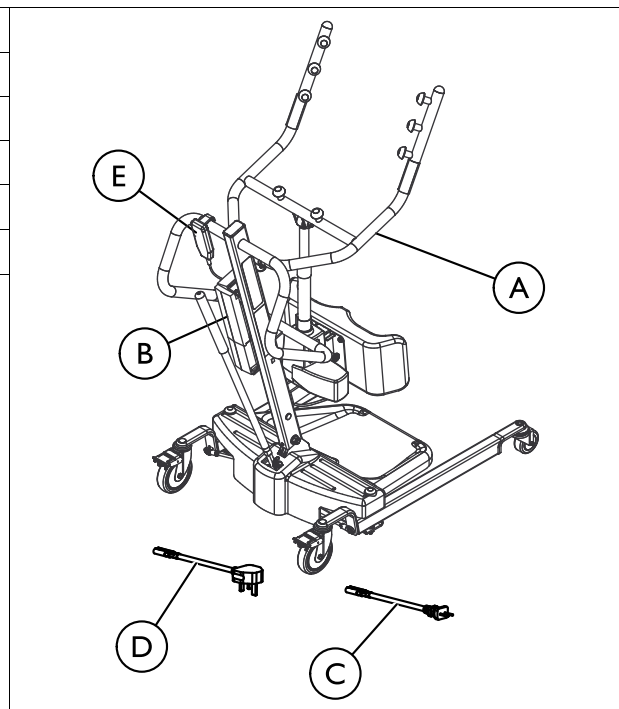
- niet kunnen meewerken
- zich niet bewust zijn van de situatie
- geen goede controle hebben over hoofd en nek

Sommige slings die zijn bedoeld voor de Stand Assist-patiëntlift zijn gecontra-indiceerd voor gebruik bij patiënten die het grootste deel van hun gewicht niet kunnen ondersteunen. Raadpleeg de gebruikershandleiding bij de sling voor meer informatie.

1.3 Inbegrepen onderdelen

In de tabellen staan de onderdelen weergegeven die bij levering zijn inbegrepen. De slings worden los verkocht. De oplader wordt mogelijk ook los verkocht.

| Onderdeel | Omschrijving | Aantal |
|-----------|--|--------|
| A | Verhoging | 1 |
| B | Accu | 1 |
| C | Oplaadsnoer, EU | 1 |
| D | Oplaadsnoer, VK (alleen RPS350-1E) | 1 |
| E | Handbeugel | 1 |
| F | Gebruikershandleiding verhoging (niet weergegeven) | 1 |



1.4 Levensduur



WAARSCHUWING!

Gevaar voor letsel of beschadiging

Te weinig onderhoud kan leiden tot functieverlies, letsel of beschadiging van het product.

Een onjuiste montage kan tot letsel of schade leiden.

Het gebruik van onjuiste of niet-geschikte onderdelen, inclusief reserve-(service)onderdelen, kan leiden tot letsel of schade.

- Montage en onderhoud mogen ALLEEN worden uitgevoerd door gekwalificeerd personeel.
- Om een correcte werking van de patiëntenlift en accessoires te garanderen, is regelmatig onderhoud nodig.
- Gebruik alleen onderdelen van Invacare voor de montage van deze patiëntenlift. Het onderstel, de poten, de mast, de hefboom, het pompgedeelte of de actuator, en het tiljuk zijn gefabriceerd volgens specificaties die een correcte uitlijning van alle onderdelen garanderen voor een veilige, functionele werking.
- Geef ALTIJD het serienummer van de lift op, om er zeker van te zijn dat de juiste vervangende onderdelen worden besteld.
- Draai de schroeven of onderdelen NIET te strak aan. Hierdoor raakt de montagebeugel beschadigd.

De verwachte levensduur van de verplaatsbare patiëntenlift is 8 jaar bij gebruik in overeenstemming met de

veiligheidsinstructies, onderhoudstermijnen en bij correct gebruik, zoals in deze handleiding wordt beschreven. De effectieve levensduur van dit product kan variëren, afhankelijk van de frequentie en intensiteit van het gebruik.

Levensduur van actuator

| Aantal liftverrichtingen per dag | Levensduur van actuator (in jaren) |
|----------------------------------|------------------------------------|
| 1–2 | 10 |
| 3 | 9 |
| 4 | 6 |
| 5 | 5 |
| 6 | 4 |
| 7–9 | 3 |
| 10–13 | 2 |
| 14–27 | 1 |

1.5 Garantie-informatie

De garantievoorzwaarden maken deel uit van de algemene voorwaarden die gelden voor het land waarin het product wordt verkocht.

Aan de binnenkant van de achterzijde van deze handleiding vindt u de contactgegevens voor het dichtstbijzijnde Invacare-kantoor.

2 Veiligheid

2.1 Algemene richtlijnen



WAARSCHUWING!

– Gebruik dit product of de beschikbare optionele apparatuur **ALLEEN** wanneer u deze instructies en het eventuele aanvullende instructiemateriaal volledig hebt doorgelezen en begrepen, zoals gebruikershandleidingen, servicehandleidingen of instructiebladen die bij dit product of de optionele apparatuur worden verstrekt. Als u niet in staat bent de gevaren, aandachtspunten of instructies te begrijpen, neemt u contact op met een zorgverlener, dealer of technische staf voordat u dit apparaat gaat gebruiken. Er kan anders letsel of schade optreden.

WAARSCHUWING ACCESSOIRES

Invacare-producten zijn specifiek ontworpen en vervaardigd voor gebruik in combinatie met Invacare accessoires.

Accessoires die door andere fabrikanten zijn ontworpen zijn niet getest door Invacare en worden niet aanbevolen voor gebruik met Invacare-producten. In sommige gevallen is het gebruik van een sling van een andere fabrikant echter wel mogelijk.

– Neem contact op met het plaatselijke Invacare-kantoor voor meer informatie over accessoires.



KENNISGEVING

– De informatie in dit document kan zonder voorafgaande kennisgeving worden gewijzigd.

Controleer vóór gebruik alle onderdelen op transportschade. Gebruik het apparaat **NIET** in geval van schade. Neem contact op met de dealer of Invacare-vertegenwoordiger voor verdere instructies.

2.2 Informatie over de werking

Dit deel van de handleiding bevat algemene veiligheidsinformatie over uw product. Raadpleeg voor specifieke veiligheidsinformatie het betreffende deel van de handleiding en de procedures in dat deel. Raadpleeg bijvoorbeeld voor veiligheidsinformatie met betrekking tot het monteren van de lift hoofdstuk 3 *Montage, pagina 283*

2.2.1 Algemeen



WAARSCHUWING!

Risico op vallen

Verplaats een patiënt NOOIT zonder toestemming van de arts van de patiënt, een verpleegkundige of een arts-assistent. Lees de instructies in deze gebruikershandleiding zorgvuldig door, observeer een liftprocedure wanneer deze wordt uitgevoerd door een gekwalificeerd team en voer vervolgens de liftprocedure zelf diverse keren uit onder supervisie en met de juiste begeleiding, waarbij een valide persoon de rol van patiënt speelt.

- Gebruik bij alle liften uw gezonde verstand. U MOET bijzonder voorzichtig zijn met mensen met beperktheden die niet kunnen helpen terwijl ze omhoog worden getild.
- Gebruik altijd de stuurhandgreep op de mast om de patiëntlift te duwen of te trekken.
- Controleer de bevestigingspunten van de draagband telkens wanneer u deze verwijdert of verplaatst om ervoor te zorgen dat de band goed vastzit voordat u een patiënt uit een stilstaand object verwijdert (bed, stoel of toilet).



WAARSCHUWING!

Risico op letsel of schade

De patiëntlift kan zowel binnens- als buitenshuis worden gebruikt. Op sommige typen ondergrond kan de lift instabiel worden, wat kan leiden tot letsel of schade.

De lift kan in de badkamer worden gebruikt. Als de lift echter te nat wordt, kan de lift beschadigd raken en mogelijk letsel veroorzaken.

- Gebruik de lift niet op een helling. Invacare adviseert de lift alleen op een vlakke ondergrond te gebruiken.
- Rol het onderstel NIET over ongelijke oppervlakken; zo voorkomt u dat de patiëntlift omvalt.
- Gebruik de patiëntlift NIET onder de douche, in bad of ergens anders waar het erg nat is.
- Zorg dat de patiëntlift na gebruik goed wordt afgedroogd.
- Sla de lift NIET op in een vochtige ruimte of in vochtige omstandigheden. Zie de voorwaarden voor opslagtemperatuur, vochtigheid en druk in *7.1 Tabel voor het oplossen van problemen, pagina 307*.
- Inspecteer regelmatig alle onderdelen van de patiëntlift op tekenen van roestvorming. Vervang alle onderdelen met roestsporen of schade.

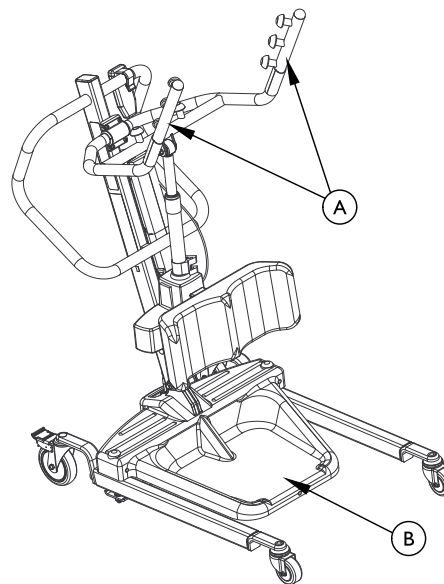
2.2.2 Plaatsing



WAARSCHUWING!

Risico op lichamelijk letsel

- Zorg dat u **ALTIJD** weet waar de liftarmen zich bevinden. Al u deze regel niet in acht neemt, kan dit leiden tot letsel bij de patiënt of de assistent.
- Zorg dat u **ALTIJD** weet waar de voetsteun zich bevindt en met name de positie van de patiënt op de voetsteun. Als u deze regel niet in acht neemt, kan dit leiden tot letsel bij de patiënt of de assistent.



Ⓐ = Liftarmen

Ⓑ = Voetsteun

2.2.3 Afvoeren



WAARSCHUWING!

Potentieel schadelijk voor het milieu

Dit product is afkomstig van een milieubewuste fabrikant conform richtlijn 2012/19/EU betreffende afgedankte elektrische en elektronische apparatuur (AEEA).

Het apparaat bevat accu's met loodzuur.

Dit product bevat mogelijk stoffen die schadelijk kunnen zijn voor het milieu wanneer ze worden verwijderd op plaatsen (stortterreinen) die niet in overeenstemming zijn met de wetgeving.

- Gooi deze accu NIET weg met normaal huishoudelijk afval. De accu MOET naar een daarvoor bestemd afvalstation worden gebracht. Neem contact op met uw plaatselijke afvalverwerkingsbedrijf voor meer informatie.
- Wij hopen dat u voldoende milieubewust bent om dit product na de levensduur naar een afvalverwerkingsstation te brengen.

2.3 Interferentie door radiofrequentie



WAARSCHUWING!

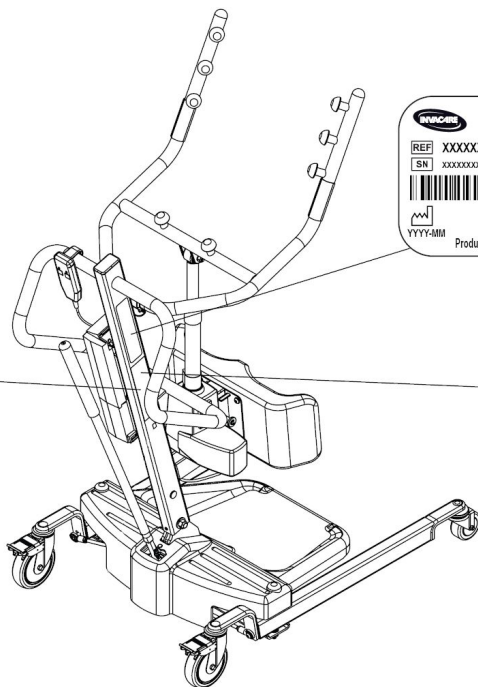
- De meeste elektronische apparatuur wordt beïnvloed door radiofrequentie (Radio Frequency Interference, RFI). Wees daarom VOORZICHTIG wat betreft het gebruik van draagbare communicatieapparatuur in de nabijheid van dergelijke elektronische apparatuur. Indien zich RFI voordoet die leidt tot afwijkend gedrag, schakelt u de lift DIRECT UIT door op de rode AAN/UIT-knop te drukken. Schakel de lift NIET IN tijdens het verplaatsen.

2.4 Productlabels

SWL
159kg

1171742 Rev B

RPS350-IFR



Invacare

Invacare Portugal, Lda
Rua Estrada Vólta 949
4465-784 Leça do Balio, Portugal

ISO 10535

CE

REF XXXXXX XXXXX_XX

SM XXXXXXXXXXXXX

XXXXXXXX XXXX

XXXXXXXX XXXX

XXXXXXXX XXXX

XXXXXXXX XXXX

XXXXXXXX XXXX

YYYY-MM

Product name

xxx kg

SWL
159kg

1167425 Rev B

RPS350-IE

3 Montage

3.1 Veilige montage

**WAARSCHUWING!****Risico op lichamelijk letsel**

Een onjuiste montage kan tot letsel of schade leiden.

- Montage mag **ALLEEN** worden uitgevoerd door gekwalificeerd personeel.
- Gebruik alleen onderdelen van Invacare voor de montage van deze patiëntlift. De liftonderdelen zijn gebouwd volgens specificaties die een correcte uitlijning van alle onderdelen garanderen voor een veilige werking.
- Draai de schroeven of onderdelen **NIET** te strak aan. Hierdoor raakt de montagebeugel beschadigd.



Er is geen gereedschap nodig om de patiëntlift te monteren.

Neem bij problemen tijdens de montage contact op met een plaatselijke Invacare-vertegenwoordiger. Zie de contactgegevens op de laatste pagina van deze handleiding.

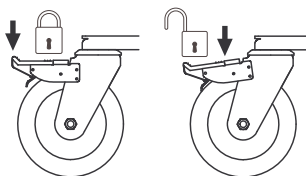
3.2 Het mastgedeelte op het onderstel monteren



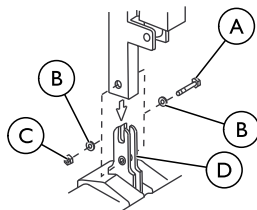
WAARSCHUWING!

– Gebruik enkel onderdelen van Invacare wanneer u deze patiëntlift monteert. De poten, de mast, de giek, het pompgedeelte en de zwenkarm zijn gebouwd volgens specificaties die een correcte uitlijning van alle onderdelen garanderen voor een veilige werking.

DETAIL A



DETAIL B



1. Zet het onderstel op de grond.



Zorg dat de vier wielen contact maken met de grond

2. Blokkeer beide achterwielen. Raadpleeg de instructie bij B.
3. Verwijder de bout, sluitringen en de moer die zich in de U-vormige uitsparing van het onderstel bevinden.
4. Til de mast op tot deze rechtop staat.
5. Laat de mast op de montagebeugel zakken.
6. Bevestig de mast aan het onderstel met de bout, sluitringen en moer. Draai alles goed vast.

3.3 Lift klaarmaken voor gebruik

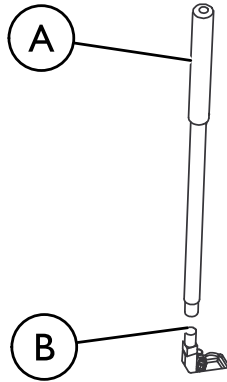
Controleer alle onderdelen en draai alles vast VOOR gebruik.

| | |
|---------------|-------------------|
| (A) Bout | (C) Moer |
| (B) Sluitring | (D) Montagebeugel |



Het mastgedeelte kan van het onderstel worden verwijderd voor opslag of transport. Het mastgedeelte MOET correct aan het onderstel bevestigd zijn vóór gebruik.

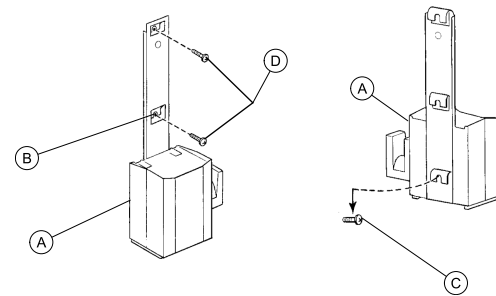
3.4 Plaats de schuifhandgreep



| | |
|-------------------|----------------------------------|
| Ⓐ Schuifhandgreep | Ⓑ Positieve adapter in handgreep |
|-------------------|----------------------------------|

1. Neem de schuifhandgreep uit de verzenddoos.
2. Draai de schuifhandgreep op de positieve aansluiting op het onderstel.

3.5 De montagebeugel van de acculader aan de muur bevestigen



Raadpleeg uw lokale regelgeving met betrekking tot de juiste montageprocedures.

Deze procedure is alleen van toepassing op de RPS350-1E.

1. Plaats de acculader met de montagebeugel Ⓐ in de gewenste positie aan de muur.
2. Geef met een potlood de positie van de middelste opening Ⓑ aan.
3. Boor een gat op 16,5 cm onder de marking.
4. Bevestig de onderste montageschroef Ⓒ en laat ongeveer 3 mm ruimte over tussen de schroefkop en de muur.
5. Bevestig de montagebeugel van de acculader op de onderste bevestigingsschroef.
6. Boor de overige twee bevestigingsgaten.

7. Bevestig de overige twee bevestigingsschroeven. ① door de montagebeugel heen en in de muur. Draai alles goed vast.
8. Sluit de acculader aan op een stopcontact.



Het ledlampje AAN moet gaan branden.

4 Gebruik

4.1 Inleiding

De patiëntlift is gemakkelijk en veilig te gebruiken.



Lees voordat u de lift met een patiënt gebruikt de volgende procedures voor informatie over de veiligheid en instructies:

- 2.2 *Informatie over de werking, pagina 278*
- 5.3 *De patiënt optillen, pagina 298*

4.2 De poten inklappen en uitklappen



WAARSCHUWING!

Risico op lichamelijk letsel

De lift kan kantelen waardoor een gevaarlijke situatie ontstaat voor zowel de patiënt als de assistenten.

- De poten van de lift moeten maximaal worden uitgeklapt voor optimale stabiliteit en veiligheid. Als u de poten van de lift moet inklappen om deze onder een bed te manoeuvreren, klapt u de poten in totdat de lift zich boven de patiënt bevindt en tilt u de patiënt uit bed. Als de poten van de lift zich niet meer onder het bed bevinden, klapt u de poten van de lift weer uit naar de maximaal geopende stand.

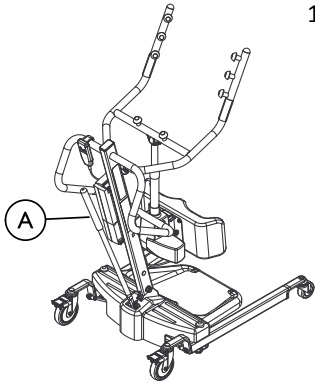
4.2.1 De poten uitklappen en inklappen

Met de schuifhendel kunnen de poten van het onderstel worden uitgeklapt en ingeklapt. Dit zorgt voor stabiliteit bij het omhoog tillen van de patiënt.



Zie de veiligheidsinformatie in *4.2 De poten inklappen en uitklappen, pagina 287* voordat u met deze procedure begint.

Ⓐ = Schuifhandgreep



1. Ga als volgt te werk om de poten in te klappen: Trek de hendel NAAR BUITEN weg van de lift en vervolgens naar LINKS tot deze VERGRENDELT in de sleuf van de beugel.



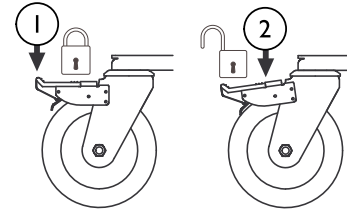
Links en rechts worden bepaald wanneer u achter de lift staat met uw gezicht in de richting van de voorste loopwielen.

2. Ga als volgt te werk om de poten uit te klappen: Trek de hendel NAAR BUITEN weg van de lift en vervolgens naar RECHTS tot deze VERGRENDELT in de sleuf van de beugel.



Rechts en links worden bepaald wanneer u achter de lift staat met uw gezicht in de richting van de voorste loopwielen.

4.3 De achterste vergrendeling in- of uitschakelen



1. Stap hier om te vergrendelen.
2. Stap hier om te ontgrendelen.

4.4 De lift omhoog/omlaag brengen



WAARSCHUWING!

Risico op lichamelijk letsel

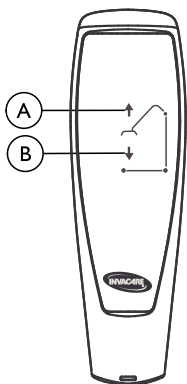
De lift kan kantelen waardoor een gevaarlijke situatie ontstaat voor zowel de patiënt als de assistenten.

- Invacare adviseert om de vergrendeling van de zwenkwielen niet in te schakelen tijdens het omhoog tillen zodat de patiëntenlift zichzelf kan stabiliseren als de patiënt in eerste instantie wordt opgetild en wordt verplaatst naar een stoel, bed of ander stilstaand object.

4.4.1 Een elektrische lift omhoog of omlaag brengen



Zie de veiligheidsinformatie in *4.4 De lift omhoog/omlaag brengen*, pagina 288 voordat u met deze procedure begint.



1. Als u de lift omhoog wilt brengen, drukt u op de knop OMHOOG **A** waarop de arm en de patiënt omhoog gaan.
2. Als u de lift omlaag wilt brengen, drukt u op de knop OMLAAG **B** waarop de arm en de patiënt omlaag gaan.

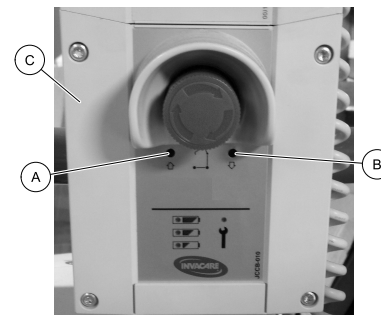


Laat de knop los om de lift stil te zetten tijdens het omhoog of omlaag brengen.

4.5 Een mechanische noodstop activeren

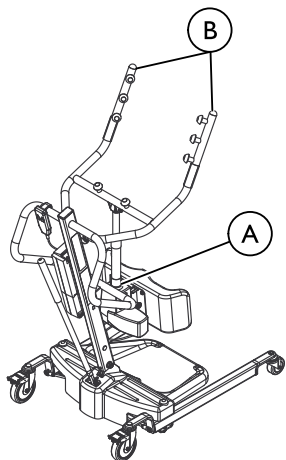
Er zijn twee soorten mechanische noodstops; een primaire en een secundaire.

4.5.1 Primaire noodstop



1. Steek een pen in het gat met de tekst Emergency Up (Noodstop omhoog) **A** of Emergency Down (Noodstop omlaag) **B** op de handbediening **C**.

4.5.2 Secundaire noodstop



Ⓐ RODE noodhandgreep

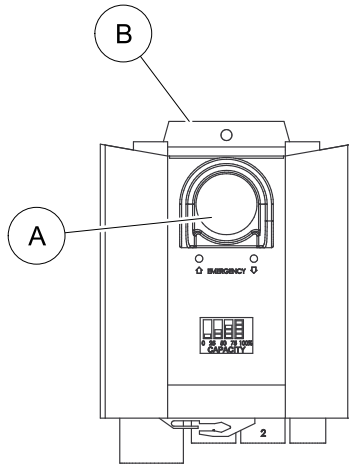
Ⓑ Liftarmen

i Het verdient aanbeveling om de primaire noodstop te gebruiken. De secundaire noodstop dient enkel ter ondersteuning van de primaire noodstop.

Wanneer de primaire noodstop niet werkt of niet bereikbaar is, mag een secundaire noodstop worden gebruikt.

1. Trek aan de NOODHANDGREEP Ⓐ en duw tegelijkertijd de liftarmen Ⓑ omlaag.

4.6 Een noodstop uitvoeren



1. Druk op de RODE knop **A** op de handbediening **B** om het omhoog of omlaag brengen van de arm met de patiënt te beëindigen.
2. U kunt de noodstopknop weer resetten door deze met de klok mee te draaien.

4.7 De accu opladen



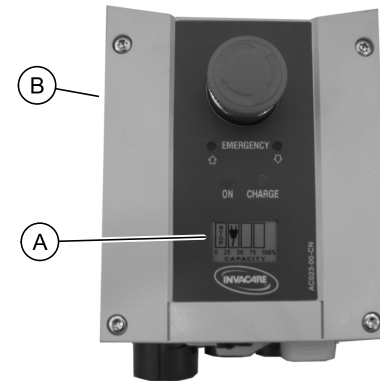
Invacare adviseert om de accu dagelijks opnieuw op te laden om de levensduur ervan te verlengen.

Er zitten twee verschillende methoden om de accu op te laden. De ene methode maakt gebruik van een voedingskabel die wordt aangesloten op de bedieningsconsole, bij de andere methode moet de accu op de acculader worden aangesloten. Volg de juiste procedure om de accu op te laden voor uw patiëntlift.





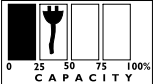
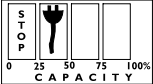
4.7.1 Acculampje



Deze procedure is alleen van toepassing op de RPS350-1FR-modellen.



Het acculampje **A** bevindt zich op de handbediening **B**. De ledlampjes geven een indicatie van de accuspanning:

| Control Box Battery Indicator  | Battery State | Description |
|--|------------------------------|--|
|  | Volledig opgeladen (100%) | Er is voldoende spanning - opladen is niet nodig (100%). |
|  | Gedeeltelijk opgeladen (75%) | Er is voldoende spanning - opladen is niet nodig (75%). |
|  | Gedeeltelijk opgeladen (50%) | De accu moet worden opgeladen (50%) |
|  | Nog niet opgeladen (25%) | De accu moet worden opgeladen (minder dan 25%). Er klinkt een claxongeluid als een knop wordt ingedrukt. |
|  | Nog niet opgeladen (0%) | <p>De accu moet worden opgeladen.</p> <p>De lift werkt niet meer optimaal en de arm kan alleen nog omlaag worden gebracht.</p> <p>U hoort een alarm (claxongeluid) wanneer de accu bijna leeg is. Als u het alarm tijdens het verplaatsen van een persoon hoort, kunt u wachten met het opladen van de accu totdat u hiermee klaar bent.</p> |

4.7.2 De accu opladen met een voedingskabel



LET OP!

– De noodstop MAG NIET zijn geactiveerd - anders kan de accu niet worden geladen. Tijdens het laden mag de patiëntlift niet worden gebruikt. Probeer NIET de patiëntlift te verplaatsen terwijl de voedingskabel nog in het stopcontact zit. GEBRUIK de patiëntlift NIET als de behuizing van de accu beschadigd is. Vervang beschadigde accubehuizingen voordat u de lift gaat gebruiken.

1. Sluit de voedingskabel aan op de handbediening.
2. Steek de stekker van het netsnoer in een stopcontact.



De accu laadt op in ongeveer 4 uur. Het laden moet gebeuren in een goed geventileerde ruimte.

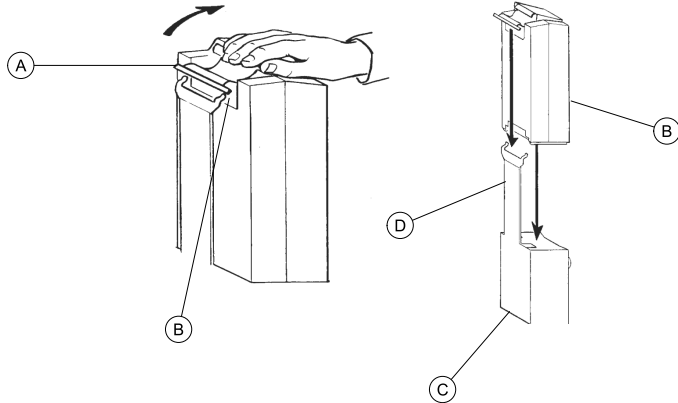
3. Haal de stekker uit het stopcontact als de accu volledig is opgeladen.



Deze procedure is alleen van toepassing op de RPS350-1FR-modellen.

Ⓐ = Aansluitpunt voor kabel van acculader.

4.7.3 De accu opladen met de acculader



Deze procedure is alleen van toepassing op de RPS350-1E.

1. Til de accu omhoog aan de handgreep **A** op de achterzijde van de accu **B**.
2. Til de accu uit de handbediening **C**.



LET OP!

Een onjuiste montage van de accu kan leiden tot letsel of schade.

– U dient een klik te horen bij het aansluiten van de accu op de acculader. Dit duidt op een correcte montage.

3. Plaats de accu op de acculader **D**, zoals weergegeven. Als het goed is, hoort u een klikgeluid.



Het ledlampje zal gaan branden. Wanneer de accu is opgeladen, gaat het ledlampje uit. Het duurt ongeveer vier uur om een lege accu volledig op te laden.

4. Til de handgreep op de achterzijde van de accu omhoog.
5. Til de accu uit de acculader.



LET OP!

Een onjuiste montage van de accu kan leiden tot letsel of schade.

– U dient een klik te horen bij het aansluiten van de accu op de handbediening. Dit duidt op een correcte montage.

6. Installeer de accu weer op de bedieningseenheid, zoals weergegeven. Als het goed is, hoort u een klikgeluid.



De accu dient op de handbediening en acculader te worden geïnstalleerd, zoals weergegeven.

5 De patiënt optillen

5.1 Veilig omhoog tillen



WAARSCHUWING!

- Overschrijd de maximale gewichtslimiet (SWL) van 159 kg NIET. Het maximale gewicht van de patiënt mag 159 kg bedragen.
- Verplaats NOOIT een lift zonder toestemming van een professionele zorgverlener.
- Houd ALTIJD handen en vingers uit de buurt van bewegende onderdelen om letsel te vermijden.
- Tijdens het overplaatsen, wanneer de patiënt in de draagband van de lift hangt, mag u het onderstel NIET over ongelijke oppervlakken rollen; dit om te vermijden dat de patiëntlift uit evenwicht raakt.
- Gebruik steeds de stuurhandgreep op de mast om de stand assist lift voort te duwen of te trekken.



WAARSCHUWING!

De lift bedienen en de patiënt omhoog tillen

- Zorg ervoor dat hulpmiddelen die bij de stand assist lift worden gebruikt, sterk genoeg zijn om de last op te tillen (bijv. draagband). Zorg ervoor dat als het hulpmiddel defect mocht raken, de patiënt die wordt opgetild, niet blootgesteld wordt aan gevaar.
- Zorg ervoor dat, voordat u de poten van de stand assist lift rond de patiënt plaatst, de voeten van de patiënt niet in de weg staan van de voetplaat, anders kan er letsel optreden.
- Zorg ervoor dat u alle aanpassingen voor veiligheid en comfort hebt ingesteld voordat u de patiënt gaat verplaatsen. De armen van de patiënt moeten buiten de riemen van de band zitten.



WAARSCHUWING!

De lift bedienen en de patiënt omhoog tillen

- Til de patiënt lichtjes los van het object en controleer of alle bevestigingspunten van de band goed vast zitten voordat u een patiënt van een stilstaand object (rolstoel, toiletstoel of bed) optilt. Indien een bevestigingspunt niet correct is geplaatst, laat de patiënt dan zakken en verhelp het probleem. Til daarna de patiënt opnieuw op en controleer opnieuw.
- Tijdens het overplaatsen, wanneer de patiënt in de band van de lift hangt, mag u het onderstel NIET over ongelijke oppervlakken rollen om te vermijden dat de patiëntlift uit evenwicht raakt en kantelt. Gebruik ALTIJD de stuurhandgreep op de mast om de patiëntlift voort te duwen of te trekken.
- Invacare raadt aan om de vergrendeling van de achterste zwenkwielen UITSLUITEND in te schakelen tijdens het positioneren of verwijderen van de band (draagband voor stahulp of verplaatsen) rond de patiënt.
- Invacare raadt aan om de wielvergrendeling van de achterste zwenkwielen NIET in te schakelen tijdens het optillen en verplaatsen van personen. Als u de vergrendeling wel inschakelt, kan de lift mogelijk overhellen en dit zorgt voor gevaarlijke situaties voor zowel de patiënt als de assistenten. Invacare raadt WEL aan de vergrendeling niet in te schakelen tijdens tillen en verplaatsen, zodat de patiëntlift zichzelf kan stabiliseren als de patiënt in eerste

instantie wordt opgetild en wordt verplaatst naar een stoel, bed of ander stilstaand object.



WAARSCHUWING!

De draagband gebruiken

- Gebruik de draagband die wordt aanbevolen door een professioneel zorgverlener voor het comfort en de veiligheid van de patiënt die moet worden verplaatst.
- Patiënten waarvoor de draagband voor stahulp gebruikt wordt, MOETEN het grootste deel van hun gewicht zelf kunnen ondersteunen, anders kan er zich letsel voordoen.
- Verbleekte, gescheurde, ingesneden, gerafelde of gebroken banden zijn onveilig en kunnen leiden tot letsel of schade. Werp draagbanden die aan deze criteria voldoen ONMIDDELLIJK weg.
- Pas draagbanden NIET aan.
- Controleer de bevestigingspunten van de draagband telkens wanneer u deze verwijdert of verplaatst om ervoor te zorgen dat de band goed vastzit voordat u een patiënt uit een stilstaand object verwijdert (bed, stoel of toilet).
- Indien de patiënt in een rolstoel zit, zet dan de remmen van de rolstoel vast om te vermijden dat de stoel vooruit of achteruit rolt.
- Er moet voor worden gezorgd dat de patiënt die wordt opgetild, niet wordt blootgesteld aan gevaar en dat de patiënt losgemaakt kan worden zonder letsel op te lopen.

**WAARSCHUWING!****Draagbanden voor stahulp**

- Gebruik de draagband voor stahulp NIET in combinatie met de patiëntlift als transportmiddel. De lift is ontworpen om een persoon van het ene rustoppervlak naar het andere te verplaatsen (zoals van een bed naar een rolstoel).
- Draagbanden voor stahulp: zorg ervoor dat, voordat u de patiënt optilt, de onderste rand van de draagband voor stahulp zich aan de onderrug van de patiënt bevindt en dat de armen van de patiënt zich buiten de band bevinden.
- Draagbanden voor stahulp: de riem MOET stevig maar comfortabel om de patiënt zitten, anders kan de patiënt uit de band glijden tijdens het verplaatsen en mogelijk letsel oplopen.

Draagbanden voor verplaatsing

- Zorg ervoor dat, voordat u de patiënt optilt, de onderste rand van de draagband zich onderaan de ruggengraat van de patiënt bevindt en dat de armen van de patiënt zich buiten de draagband bevinden.
- Draagbanden voor verplaatsing: til de patiënt NIET op tot deze volledig rechtop staat met de draagband, anders kan deze een letsel oplopen.



Raadpleeg de brochure van de draagband voor meer informatie.

5.2 Het omhoog tillen voorbereiden

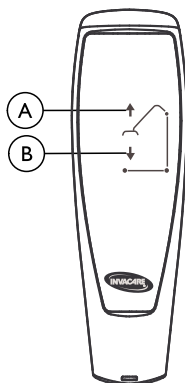
Raadpleeg het gedeelte over veiligheid in deze handleiding en bestudeer de informatie in *5.1 Veilig omhoog tillen, pagina 295* voordat u verder gaat en neem alle aangegeven waarschuwingen in acht.

Zorg dat er geen obstakels zijn wanneer u de poten van de patiëntlift onder een bed plaatst.

**WAARSCHUWING!****Risico op lichamelijk letsel**

De lift kan kantelen waardoor een gevaarlijke situatie ontstaat voor zowel de patiënt als de assistenten.

- De poten van de lift moeten maximaal worden uitgeklaapt voor optimale stabiliteit en veiligheid. Als u de poten van de lift moet inklappen om deze onder een bed te manoeuvreren, klapt u de poten in totdat de lift zich boven de patiënt bevindt en tilt u de patiënt uit bed. Als de poten van de lift zich niet meer onder het bed bevinden, klapt u de poten van de lift weer uit naar de maximaal geopende stand.



| | |
|---------------|---------------|
| Ⓐ Knop OMHOOG | Ⓑ Knop OMLAAG |
|---------------|---------------|

1. Zorg ervoor dat de poten van de Stand Assist lift maximaal zijn uitgeklaapt. Gebruik de schuifhendel om de poten te openen indien dit niet zo is.
2. Plaats de Stand Assist Lift met de handgreep op de mast.
3. Druk op de knop DOWN op de handbediening om de liftarmen te laten zakken om de band gemakkelijker te kunnen bevestigen.

5.3 De patiënt optillen

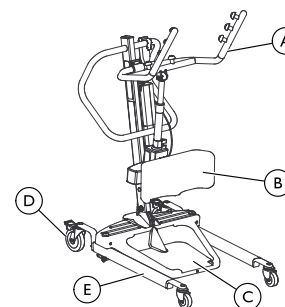
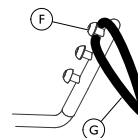
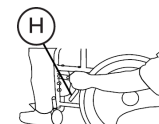


WAARSCHUWING!

- Overschrijd NIET de maximale gewichtslimiet voor de patiënt (SWL - Safe Working Load oftewel veilige werkbelasting) van 159 kg (25 stone). Maximumgewicht van de patiënt is 159 kg (25 stone).
- Personen die de draagband voor stahulp gebruiken, MOETEN het grootste deel van hun gewicht zelf kunnen dragen, anders kan er letsel optreden.
- Vergrendel de achterste zwenkwielen van de actieve tillift NIET in tijdens het optillen van een persoon. Als u de achterste zwenkwielen wel vergrendelt, kan de actieve tillift mogelijk kantelen waardoor een gevaarlijke situatie ontstaat voor zowel de patiënt als de assistenten. Als u de zwenkwielen ontgrendelt tijdens het optillen van een patiënt, kan de lift zichzelf in evenwicht houden terwijl de patiënt eerst uit een rolstoel, bed of ander stilstaand object wordt getild.
- Verplaats een patiënt NIET als de draagband niet op de juiste manier is bevestigd aan de bevestigingspunten van de actieve tillift.
- Zorg ervoor dat u alle aanpassingen voor veiligheid en comfort hebt ingesteld voordat u de patiënt gaat verplaatsen.

**WAARSCHUWING!**

- Controleer of de draagband goed vastzit aan de bevestigingspunten VOORDAT u probeert een patiënt op te tillen. Als u merkt dat bevestigingen niet goed vastzitten, dient u dit probleem te verhelpen. Als de draagband zich een paar centimeter boven het stilstaande oppervlak bevindt, controleert u de draagband opnieuw om ervoor te zorgen dat de draagband en alle bevestigingen goed vastzitten voordat u de patiënt gaat verplaatsen. Als u een probleem ontdekt, laat u de patiënt weer op het stilstaande oppervlak zakken en verhelpt u het probleem. Als u dat niet doet, kan dat leiden tot schade of zelfs letsel.
- Gebruik de draagband die wordt aanbevolen door de arts, verpleegkundige of arts-assistent van de betrokkene om comfort en veiligheid te kunnen waarborgen voor de patiënt die moet worden verplaatst. Invacare-draagbanden zijn specifiek ontworpen voor gebruik in combinatie met Invacare-patiëntenliften. In sommige gevallen is het gebruik van een draagband van een andere fabrikant in combinatie met een Invacare-patiëntenlift echter wel mogelijk. Neem contact op met het plaatselijke Invacare-kantoor voor meer informatie.

Detail A — Actieve tillift**Detail B — Bevestiging draagband****Detail C — remmen**

| | |
|-------------------------|-----------------------|
| (A) Handgrepen | (E) Been |
| (B) Kniekussen | (F) Haak |
| (C) Voetplaat | (G) Lus van draagband |
| (D) Achterste zwenkwiel | (H) Rem |



Raadpleeg de gebruiksaanwijzing van de draagband voor de patiënt voor meer informatie.

De patiënt MOET eerst zitten. Gebruik het hoofdgedeelte van het bed om de patiënt rechtop te krijgen en plaats daarna de benen over de rand van het bed.

1. Vraag de patiënt om de handgrepen aan beide kanten van de actieve tillift vast te pakken (detail A).
2. Vraag de patiënt om achterover te leunen in de draagband.



WAARSCHUWING!

- Draagbanden voor stahulp: zorg ervoor dat, voordat u de patiënt optilt, de onderste rand van de draagband voor stahulp zich aan de onderrug van de patiënt bevindt en dat de armen van de patiënt zich buiten de draagband bevinden.
- Draagbanden voor verplaatsing: zorg ervoor dat, voordat u de patiënt optilt, de onderste rand van de draagband zich onderaan de ruggengraat van de patiënt bevindt en dat de armen van de patiënt zich buiten de draagband bevinden.

3. Controleer het volgende:
 - a. De knieën van de patiënt zitten stevig tegen de knieondersteuning.
 - b. De voeten van de patiënt staan goed op de voetplaat.
 - c. Draagbanden:
 - de onderste rand van de draagband voor stahulp bevindt zich aan de onderrug van de patiënt.
 - de onderste rand van de draagband voor verplaatsen bevindt zich onderaan de ruggengraat van de patiënt.
 - de armen van de patiënt moeten zich buiten de draagband bevinden.
 - de lussen van de draagband zijn volledig over de haken van de hefboomen geschoven (detail B).
 - d. De achterste zwenkwielen zijn niet vergrendeld.
 - e. De poten zijn maximaal uitgeklappt.



WAARSCHUWING!

- Bij het verplaatsen van een patiënt vanuit een rolstoel, MOET de rolstoel op de rem staan voordat u de patiënt laat zakken in de rolstoel. Er kan anders lichamelijk letsel optreden.

4. Bij het verplaatsen vanuit een rolstoel, zet u de remmen van de rolstoel vast (detail C).
5. Druk op de knop met pijl omhoog op de handbediening om de patiënt boven het oppervlak te tillen (bed, rolstoel of toiletstoel). Het gewicht van de patiënt wordt volledig gedragen door de actieve tillift.



Het lage zwaartepunt zorgt voor meer stabiliteit waardoor de patiënt zich veiliger voelt en de lift makkelijker kan worden verplaatst.

5.4 De patiënt verplaatsen



WAARSCHUWING!

- De poten van de actieve tillift **MOETEN** maximaal uitgeklapt worden voor optimale stabiliteit en veiligheid. Als de patiënt zich in de draagband bevindt en u hem of haar moet verplaatsen door een nauwe gang, klapt u de poten van de actieve tillift in totdat u de gang door bent. Zodra u de actieve tillift door de gang hebt gemanoevreerd, klapt u de poten uit naar de maximaal geopende stand.
- Tijdens het overplaatsen, wanneer de patiënt in de draagband van de lift hangt, mag u het onderstel met de zwenkwielen **NIET** over ongelijke oppervlakken rollen om te vermijden dat de patiëntlift uit evenwicht raakt. Hierdoor kan de lift kantelen. Gebruik steeds het handvat op de mast om de lift voort te duwen of te trekken.

1. Zorg ervoor dat de poten van de actieve tillift maximaal zijn uitgeklapt. Als dat niet het geval is, drukt u op de knop voor het uitklappen van de poten op de handbediening om de poten uit te klappen tot de maximaal geopende stand.
2. Beweeg de actieve tillift weg van het oppervlak waar zij van werden opgetild.
3. Verplaats de patiënt langzaam naar het gewenste oppervlak.

6 De patiënt verplaatsen

6.1 Veilige verplaatsing



WAARSCHUWING!

- Overschrijd NIET de maximale gewichtslimiet voor de patiënt (SWL - Safe Working Load oftewel veilige werkbelasting) van 159 kg (25 stone). Maximumgewicht van de patiënt is 159 kg (25 stone).
- Verplaats een patiënt NOOIT zonder toestemming van een professionele zorgverlener. Lees de instructies in deze gebruiksaanwijzing zorgvuldig door, observeer een liftprocedure wanneer deze wordt uitgevoerd door een gekwalificeerd team en voer vervolgens de liftprocedure zelf diverse keren uit onder supervisie en met de juiste begeleiding, waarbij een gekwalificeerde persoon de rol van patiënt speelt. Er zijn opleidingsmogelijkheden beschikbaar. Neem contact op met het plaatselijke Invacare-kantoor voor meer informatie.



WAARSCHUWING!

- Verplaats een patiënt NOOIT als de draagband niet op de juiste manier is bevestigd aan de bevestigingspunten van de actieve tillift. Controleer of de draagband goed vastzit aan de bevestigingspunten voordat u probeert een patiënt te verplaatsen met de lift. Als u merkt dat bevestigingen niet goed vastzitten, dient u dit probleem te verhelpen. Als de draagband zich enkele centimeters boven het stilstaande oppervlak bevindt, controleert u de draagband opnieuw om ervoor te zorgen dat alle bevestigingen goed vastzitten voordat u de patiënt gaat verplaatsen. Als u merkt dat bevestigingspunten niet goed vastzitten, laat u de patiënt weer op het stilstaande oppervlak zakken en verhelpt u het probleem. Als u dat niet doet, kan dat leiden tot schade of zelfs letsel.
- Zorg ervoor dat u alle aanpassingen voor veiligheid en comfort hebt ingesteld voordat u de patiënt gaat verplaatsen. De armen van de patiënt moeten zich buiten de riemen bevinden.

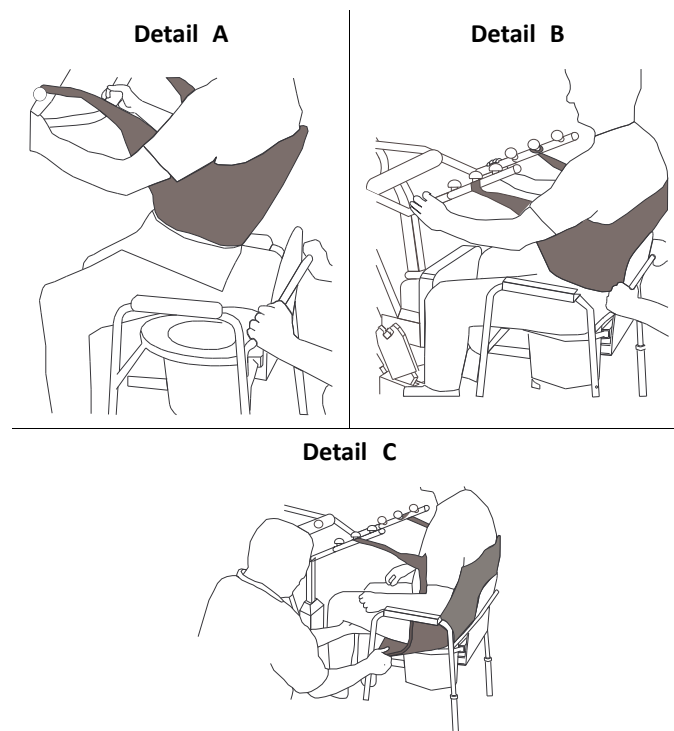


WAARSCHUWING!

- Gebruik de draagband die wordt aanbevolen door een professioneel zorgverlener voor het comfort en de veiligheid van de patiënt die moet worden verplaatst.
- Vergrendel de achterste zwenkwielen van de actieve tillift NIET in tijdens het optillen van een persoon. Als u de achterste zwenkwielen wel vergrendelt, kan de actieve tillift mogelijk kantelen waardoor een gevaarlijke situatie ontstaat voor zowel de patiënt als de assistenten.
- De poten van de actieve tillift MOETEN maximaal uitgeklapt worden voor optimale stabiliteit en veiligheid. Als de patiënt zich in de draagband bevindt en u hem of haar moet verplaatsen door een nauwe gang, klapt u de poten van de actieve tillift in totdat u de gang door bent. Zodra u de actieve tillift door de gang hebt gemanoeuvreerd, klapt u de poten uit naar de maximaal geopende stand. Als u de actieve tillift onder een bed moet manoeuvreren, klapt u de poten in totdat de lift in de juiste positie staat. Vervolgens klapt u de poten van de actieve tillift direct weer uit. Als de poten van de actieve tillift zich niet meer onder het bed bevinden, klapt u de poten weer uit naar de maximaal geopende stand.
- Controleer de bevestigingspunten van de draagband telkens wanneer deze is verwijderd en teruggeplaatst om ervoor te zorgen dat de draagband goed vastzit voordat u een patiënt gaat verplaatsen.

Voor elk afzonderlijk geval dient een professionele zorgverlener te bepalen of een of meer assistenten moeten worden ingezet.

6.2 Verplaatsen naar een toiletstoel





WAARSCHUWING!

– Invacare raadt aan om de vergrendeling van de achterste zwenkwielen alleen in te schakelen tijdens het positioneren of verwijderen van de draagband rond de patiënt.

1. Til de patiënt op vanaf de zijkant van het bed.
2. Druk op de knop OMHOOG op de handbediening om de patiënt zo hoog op te tillen dat de armsteunen van de toiletstoel niet in de weg zitten. Het gewicht van de patiënt wordt ondersteund door de actieve tillift.
3. Geleid de patiënt tot op de toiletstoel. Mogelijk hebt u hierbij assistentie nodig van twee assistenten.
4. Druk op de knop met pijl omlaag om de patiënt te laten zakken tot op de toiletstoel.
5. Vergrendel de achterste zwenkwielen van de actieve tillift.
6. Afhankelijk van het type draagband doet u het volgende:
 - Draagband voor stahulp: maak de draagband los van de bevestigingspunten op de actieve tillift.
 - Draagband voor verplaatsing:
 - a. maak de draagband voor verplaatsing los van de onderste bevestigingspunten op de actieve tillift.
 - b. Til de benen van de patiënt op en verwijder de dijondersteuning onder de patiënt.
 - c. Maak, indien gewenst, de draagband voor verplaatsing los van de bovenste bevestigingspunten op de actieve tillift.

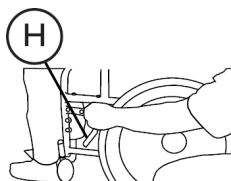


De patiënt kan ondersteund blijven door het bovenste gedeelte van de draagband voor verplaatsing terwijl hij of zij gebruikmaakt van de toiletstoel.

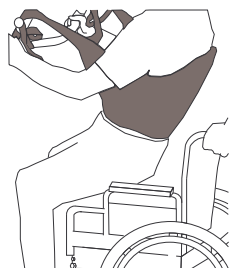
7. Instrueer de patiënt om zijn of haar voeten van de voetplaat te halen of help de patiënt om dit te doen.
8. Verwijder de draagband rond de patiënt.
9. Ontgrendel de achterste zwenkwielen en trek de actieve tillift weg van de toiletstoel.
10. Controleer wanneer de patiënt klaar is opnieuw of de draagband naar behoren is bevestigd.

6.3 Verplaatsen naar een rolstoel

Detail A



Detail B



Detail C



i ⓘ = Rolstoelrem

1. Zorg ervoor dat de poten van de lift zijn uitgeklappt als de patiënt zich in de draagband bevindt. Druk op de knop voor het uitklappen van de poten tot deze in de maximale geopende positie staan.
2. Plaats de rolstoel in de juiste positie.
3. Klik de remmen van de rolstoel vast om te voorkomen dat deze ongewenst wordt verplaatst (detail A).



WAARSCHUWING!

– Plaats de patiënt NIET in de rolstoel als de remmen niet zijn vastgeklikt. Een rolstoel MOET op de rem staan voordat u de patiënt laat zakken in de rolstoel om de patiënt te vervoeren. Anders kan dit leiden tot lichamelijk letsel.

4. Plaats de patiënt boven de rolstoel (detail 'B').
5. Druk op de knop met pijl omlaag om de patiënt te laten zakken in de rolstoel.



WAARSCHUWING!

– Vergrendel de achterste zwenkwielen UITSLUITEND tijdens het positioneren of verwijderen van de draagband (voor stahulp of verplaatsing) rond de patiënt. Er kan anders lichamelijk letsel optreden.

6. Vergrendel de achterste zwenkwielen.
7. Ontkoppel de draagband van alle bevestigingspunten op de lift (detail C).

8. Instrueer de patiënt om zijn of haar voeten van de voetplaat te halen. Help de patiënt om dit te doen, indien nodig.
9. Verwijder de draagband rond de patiënt.
10. Ontgrendel de achterste zwenkwielen en trek de actieve tillift weg van de rolstoel.

6.4 Verplaatsen naar een bed



Het lage zwaartepunt zorgt voor meer stabiliteit waardoor de patiënt zich veiliger voelt en de lift makkelijker kan worden verplaatst.

1. Plaats de patiënt zo ver mogelijk boven het bed.



Als de patiënt wordt verplaatst van een oppervlak dat lager is dan het bed, duw dan op de knop met pijl omhoog om de patiënt omhoog te tillen tot boven het oppervlak van het bed. Zorg ervoor dat de patiënt zodanig wordt opgetild dat hij of zij boven de rand van het bed komt, waarbij zijn of haar gewicht volledig wordt gedragen door de lift.

2. Druk op de knop met pijl omlaag om de patiënt te laten zakken in het bed.



WAARSCHUWING!

– Invacare raadt aan om de vergrendeling van de achterste zwenkwielen **UITSLUITEND** in te schakelen tijdens het positioneren of verwijderen van de draagband rond de patiënt.

3. Vergrendel de achterste zwenkwielen.

4. Maak de draagband voor stahulp of verplaatsing los van alle bevestigingspunten op de actieve tillift.
5. Instrueer de patiënt om zijn of haar voeten van de voetplaat te halen.



Help de patiënt om dit te doen, indien nodig.

6. Verwijder de draagband voor stahulp of verplaatsing van de patiënt.
7. Ontgrendel de achterste zwenkwielen en trek de actieve tillift weg van het bed.

7 Problemen oplossen

7.1 Tabel voor het oplossen van problemen

| SYMPTOMEN | DEFECTEN | OPLOSSING |
|--|--|--|
| Lawaai of droog geluid van de scharnierpunten. | Smearing noodzakelijk. | Zie 8.5 <i>De lift smeren, pagina 311</i> |
| Elektrische actuator zorgt niet voor vereiste lift bij drukken op de knop. | Aansluiting van de handbediening of actuator zit los. | Maak de aansluiting van de handbediening of actuator vast. Controleer of de aansluitingen goed en volledig zijn geplaatst. |
| | Accuvermogen laag. | Laad de accu's op. Zie 4.7 <i>De accu opladen, pagina 291</i> |
| | RODE noodstopknop is INGEDRUKT. | Draai de RODE noodstopknop RECHTSOM totdat deze omhoog komt. |
| | Accu niet op de juiste manier aangesloten op de handbediening. | Sluit de accu opnieuw aan op de handbediening. Zie 4.7 <i>De accu opladen, pagina 291</i> |
| | De aansluitpunten zijn beschadigd. | Vervang de accu. Zie 4.7 <i>De accu opladen, pagina 291</i> |
| | De actuator is versleten of beschadigd, of de as is verbogen. | Zie 8.7 <i>De elektrische actuator vervangen, pagina 313</i> Neem contact op met uw Invacare-dealer of -vertegenwoordiger. |
| Ongebruikelijk geluid van de actuator. | De actuator is versleten of beschadigd, of de as is verbogen. | Zie 8.7 <i>De elektrische actuator vervangen, pagina 313</i> Neem contact op met uw Invacare-dealer of -vertegenwoordiger. |

| SYMPTOMEN | DEFECTEN | OPLOSSING |
|--|--|--|
| De arm zakt niet meer omlaag als deze het hoogste hefpunt heeft bereikt. | Arm moet minimaal worden belast om te kunnen zakken vanuit hoogste punt. | Trek licht aan de arm. |
| De poten openen en sluiten niet goed. | Mogelijk moet het onderstel worden aangepast. | <i>Zie 8.6 Onderhoud aan de instellingen van het onderstel, pagina 312</i> |



Neem contact op met uw dealer als uw problemen hiermee niet worden opgelost.

8 Onderhoud

8.1 Vedligeholdelse, afkrydsningsliste til sikkerhedsinspektion



WAARSCHUWING!

- Onderhoud mag ALLEEN worden uitgevoerd door gekwalificeerd personeel.
- Laat na het vervangen van onderdelen door een deskundig persoon vaststellen of het product nog stevig en stabiel genoeg is voor de verschillende toepassingen.
- Draai de schroeven of onderdelen NIET te strak aan.



Volg de onderhoudsprocedures die worden beschreven in deze handleiding voor een maximale productiviteit en levensduur van uw patiëntenlift.

De Invacare-patiëntenlift is ontworpen voor maximale veiligheid, efficiëntie en prestaties tijdens het gebruik, met een minimum aan noodzakelijk onderhoud.

Hoewel onderdelen van de Invacare-lift zijn gemaakt van de beste materialen en de beste staalsoorten, kan het voorkomen dat er bij gebruik na langere tijd slijtage optreedt waar metalen met elkaar in aanraking komen.

De zwenkwielen behoeven geen onderhoud of aanpassing anders dan reiniging, smering en controle van de assen en zwenkbouten op speling. Verwijder alle verontreinigingen, enzovoort, van de wiel- en zwenklagers. Als er onderdelen versleten zijn, dient u deze DIRECT te vervangen.

Om een correcte werking van de patiëntenlift en accessoires te garanderen, is regelmatig onderhoud nodig. Het is de taak van de persoon die verantwoordelijk is voor de patiëntenlift om ervoor te zorgen dat dit onderhoud daadwerkelijk wordt uitgevoerd.

| | |
|--|------------|
| Datum van de inspectie: | Initialen: |
| HET ONDERSTEL MET DE ZWENKWIELEN | |
| <input type="checkbox"/> Controleer op ontbrekende onderdelen. <input type="checkbox"/> Onderstel zonder moeite uitklappen/inklappen. <input type="checkbox"/> Controleer of zwenkwielen en asbouten vastzitten. <input type="checkbox"/> Controleer of zwenkwielen onbelemmerd scharnieren en rollen. <input type="checkbox"/> Verwijder eventueel vuil van de wielen. <input type="checkbox"/> Controleer de draaipunten op slijtage. | |
| DE DRAAGBANDEN EN ONDERDELEN | |
| <input type="checkbox"/> Controleer bij elk gebruik alle bevestigingspunten van de draagband om een juiste bevestiging en de patiëntveiligheid te kunnen waarborgen. <input type="checkbox"/> Controleer het materiaal van de draagband op slijtage. <input type="checkbox"/> Controleer de bevestigingsbanden op slijtage. <input type="checkbox"/> Controleer de naden. | |
| DE ELEKTRISCHE ACTUATOR | |
| <input type="checkbox"/> Controleer of er lekkages zijn. <input type="checkbox"/> Controleer de onderdelen op de mast, arm en het onderstel. <input type="checkbox"/> Controleer op slijtage of verslechtering. Stuur het product terug naar de fabriek wanneer het is beschadigd. <input type="checkbox"/> Voer een cyclus uit om te controleren of de elektrische actuator zonder haperingen werkt. | |

HEFBOMEN EN SCHARNIERSTELSEL

- Alle onderdelen en bevestigingspunten controleren.
- Controleer op verbuigingen en afwijkingen.
- Moerverbindingen van de hefbomen controleren op slijtage.
- Controleren of de hefbomen gecentreerd zijn tussen de poten aan het onderstel.
- Controleer de draaipunten op slijtage.
- Controleer de haken van de draagband op slijtage of verbuiging.

DE MAST

- De mast moet stevig aan de arm zijn bevestigd.
- Controleer op verbuigingen en afwijkingen.
- Controleer de draaipunten op slijtage.

REINIGING

- Wanneer noodzakelijk.

8.2 De draagband en de lift reinigen**WAARSCHUWING!**

- Inspecteer de draagband(en) op slijtage, scheuren en losse naden na elke schoonmaakbeurt (volgens de instructies op de band). Werp draagbanden die aan deze criteria voldoen ONMIDDELLIJK weg.

De draagband reinigen

Was de draagband regelmatig met een combinatie van water (niet warmer dan 95 °C (203 °F) en een biologisch

oplosbaar wasmiddel. Raadpleeg de wasinstructies in de gebruikershandleiding bij de draagband.

De lift reinigen en ontsmetten

Om kruisinfecties te voorkomen, moet de takel na elk gebruik worden gereinigd en ontsmet.

U kunt de patiëntenlift reinigen met behulp van een zachte, vochtige doek en een mild reinigingsmiddel.

Gebruik voor het reinigen van de lift geen schurende reinigingsmiddelen. Gebruik nooit zuren, alkaline of oplosmiddelen om de lift te reinigen. Maak de lift na het reinigen goed droog.

Motoren, bedieningseenheid en montageonderdelen kunnen beschadigd raken wanneer de lift op een andere manier dan hierboven wordt gereinigd.

De lift moet worden afgeveegd met een vochtige, goed uitgewrongen doek met gewoon huishoudelijk ontsmettingsmiddel. Gebruik alleen ontsmettingsmiddelen die zijn goedgekeurd door de instelling.

8.3 Hergebruiken

Dit product is geschikt voor hergebruik. Hoe vaak het product kan worden hergebruikt, is afhankelijk van de staat waarin het product verkeert.

Om het overdragen van infecties te voorkomen, moeten de patiëntenlift en draagbanden na elk gebruik worden gereinigd. Raadpleeg voordat u de lift gaat hergebruiken of gaat herstellen *8.2 De draagband en de lift reinigen, pagina 310*

8.4 Controleren op slijtage en beschadiging

Het is zeer belangrijk om onderdelen die onder spanning komen te staan, zoals draagbanden, de liftarm en scharnieren, regelmatig te controleren op breuken, rafelen, vervorming of verslechtering. Als u ziet dat onderdelen defect zijn, dient u deze DIRECT te vervangen en ervoor te zorgen dat de lift niet wordt gebruikt totdat de reparaties zijn uitgevoerd.

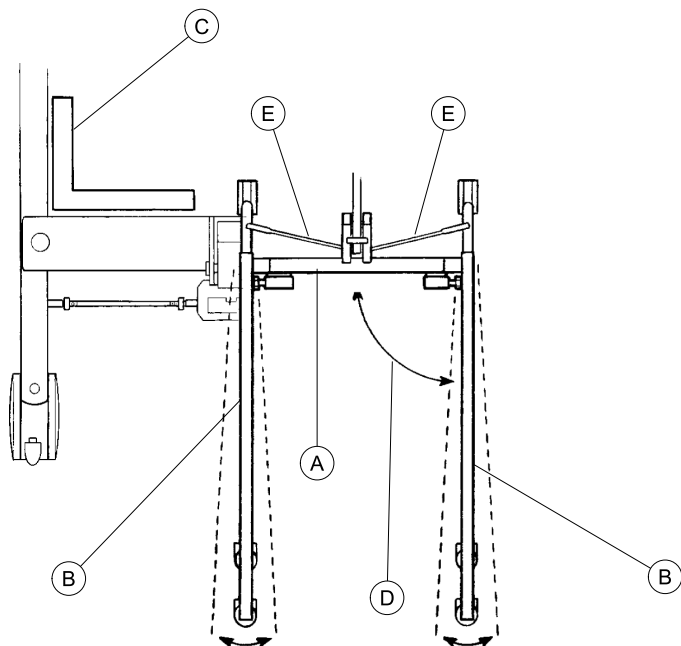
8.5 De lift smeren

De Invacare-lift is zo ontworpen dat er een minimum aan onderhoud nodig is. U kunt de lift echter het beste om de zes maanden controleren en smeren om een goede werking en veilig gebruik te kunnen garanderen.

Houd de lift en de draagbanden goed schoon en klaar voor gebruik. Defecten moeten worden genoteerd en zo snel mogelijk worden doorgegeven aan uw dealer.

De zwenkwielen MOETEN zonder moeite kunnen zwenken en rollen. U kunt desgewenst eens per jaar een licht smeervet (waterproof automatisch smerend) aanbrengen op de lagers en zwenkscharnieren van de loopwielen. Als de wielen veel worden gebruikt in vochtige omgevingen kunt u eventueel vaker smeren.

8.6 Onderhoud aan de instellingen van het onderstel



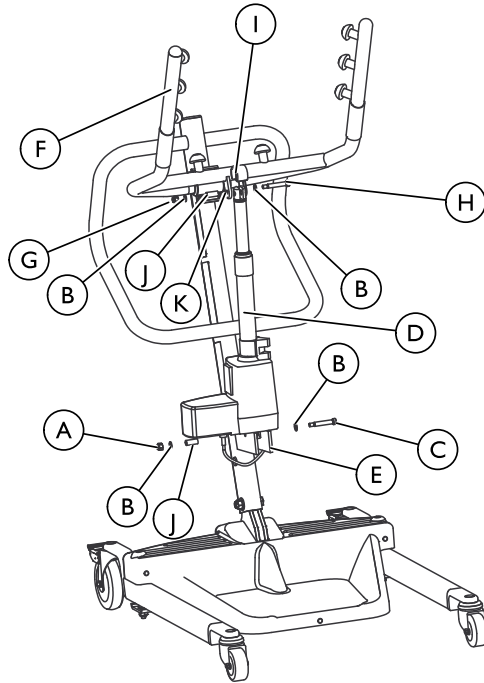
Aan de instellingen van het onderstel (A) hoeft u niets te wijzigen, behalve het afstellen van de scharnierstangen.

- ! De lift kan beschadigd raken.
 - De pootactuator moet volledig gesloten zijn voordat u de scharnierstangen instelt.

1. Klap de poten volledig in. Zie 4.2.1 *De poten uitklappen en inklappen*, pagina 287.
2. Controleer of de poten (B) recht zijn wanneer ze zijn ingeklapt.
3. Plaats een winkelhaak (C) aan de binnenzijde van de poten en het onderstel om te controleren of deze nog steeds zijn uitgelijnd in een hoek van 90° (D).
4. Verstel de scharnierstangen (E) tot een hoek van 90° is bereikt.

- ! De lift kan beschadigd raken.
 - U dient scharnierstangen NIET in te stellen in een positie waarbij de poten zijn uitgelijnd in een hoek van minder dan 90°.

8.7 De elektrische actuator vervangen



| | |
|------------------------|-------------------|
| Ⓐ Moer onderzijde | Ⓔ Moer bovenzijde |
| Ⓑ Sluistring | Ⓕ Bout |
| Ⓒ Bout verbindingpunt | Ⓖ Montagebeugel |
| Ⓓ Elektrische actuator | Ⓗ Bus |

| | |
|-----------------------------|--------------------------------|
| Ⓔ Montagebeugel van de mast | Ⓕ Montagebeugel van de liftarm |
| Ⓕ Liftarm | |

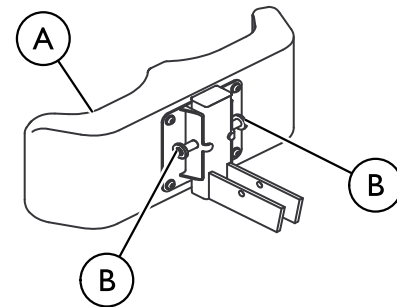


WAARSCHUWING!

– Draai de schroeven of onderdelen NIET te hard aan. Dit beschadigt de montagebeugels.

1. Verwijder de onderste moer, de sluitring en de bout waarmee de elektrische actuator is bevestigd aan de montagebeugel van de mast.
2. Laat de liftarm op uw schouder rusten en verwijder de bovenste moer, bout, beugel en bus van de montagebeugel van de liftarm.
3. Verwijder de elektrische actuator.
4. Volg stap 1 tot en met 3 in omgekeerde volgorde om de nieuwe elektrische actuator te installeren.

8.8 De hoogte van het kniekussen instellen



| | |
|--------------|-----------|
| Ⓐ Kniekussen | Ⓑ Stelpen |
|--------------|-----------|

**WAARSCHUWING!**

- Stel het kniekussen NIET in als de patiënt staat.
- Stel het kniekussen NIET in als de lift in beweging is.
- Zorg er ALTIJD voor dat de stelpennen zich in de juiste instelopeningen voor de hoogte bevinden voordat u de lift gaat gebruiken.

1. Stel het kniekussen in op een hoogte die comfortabel is voor de patiënt waarbij deze de optimale steun krijgt.



Het kniekussen moet zodanig worden gepositioneerd dat het gehele kniegedeelte van het been contact maakt met het kussen.

2. Trek met twee handen beide stelpennen tegelijkertijd naar buiten uit de instelopeningen.
3. Stel het kniekussen in op de gewenste hoogte en laat de stelpennen weer los als deze zich voor de juiste instelopeningen bevinden.
4. Zorg ervoor dat de beide pennen goed in de instelopeningen zitten.


9 Technische Specificaties

9.1 RPS350-1E en RPS350-1FR Stand Assist Patient Lift

| | |
|---|-------------------------------------|
| Max. hoogte van draagbandbevestiging | 168 cm |
| Min. hoogte van draagbandbevestiging | 102 cm |
| Breedte van basis GEOPEND | 94 cm |
| Breedte van basis GESLOTEN | 66 cm |
| Hoogte van basis (speling) | 11,5 cm |
| Lengte van basis | 90 cm |
| Hoogte totaal | 125 cm |
| Lengte totaal | 99 cm |
| Breedte totaal | 65,5 cm |
| Vergrendeling (VOOR/ACHTER) | 8 cm / 13 cm |
| Opties voor draagband | Stahulp of Stahulp voor verplaatsen |
| Materiaal van draagband | Polyester |
| Maksimal løftekapacitet (SWL) (brugerens + sejlet + liftens arme) | 159 kg |
| Vægt i alt (vægt uden for papkassen) | 49 kg |
| Batteri (spændingseffekt) | 24V DC mb maks.240VA (RCHBL) |
| Oplader indgang (spændingsforsyning) | 100-240V AC ~ 50/60 Hz |
| Oplader effekt/opladningstid | 29,5V DC maks 6 timer |

| | |
|--------------------------------------|--|
| Hørlig/synlig alarm for lavt batteri | Ja |
| Motorsikkerhedsanordninger | Fældebeskyttelse |
| *Ca. Lifter pr. cyklus (arbejdsevne) | *100-200 Cykler pr. opladning |
| Maks. strømningang | Maks.400 mA |
| Betjeningstemperatur | 5° to 40° C |
| Luftugtighed | 20% til 90% ved 30 ikke-kondenserende |
| Lydtryk | < 50 dB |
| Atmosfærisk tryk | 700 til 1060 hPa |
| Opslagtemperatur | hoger dan 0°C |
| Luchtvochtigheid tijdens opslag | minder dan 60% |
| Atmosferische druk tijdens opslag | 700 hPa til1060 hPa |
| Mate van bescherming, styreenhed | IPX4 |
| Mate van bescherming, manuelt styr | IPX4 |
| Mate van bescherming, motor | IPX4 |
| Isoleringsklassificering | klasse II-apparatuur, Toegepast onderdeel van type B |
| Intermittens | 10%, maks, 2 minutter/18 minutter |
| Batterikapacitet | 2,9 Ah |
| Manuel sænkning i nødsituation | Ja |
| Elektrisk sænkning i nødsituation | Ja/Ja |

| | |
|----------------------|--|
| Forventet holdbarhed | 8 år |
| Løftehastighed | Personløfteren lever op til kravene i afsnittet "Velocity of lifting and lowering" (hastighed ved løft og sænkning) i DS/EN ISO 10535 (< 0,15 m/s under maksimal belastning og < 0,25 m/s ubelastet) |

 * Varierer afhængigt af belastning og præstation.

Índice

Este manual TEM de ser fornecido ao utilizador do produto. ANTES de utilizar este produto, leia este manual e guarde-o para futuras consultas.

| | |
|--|------------|
| 1 Geral | 319 |
| 1.1 Símbolos | 319 |
| 1.2 Utilização prevista | 320 |
| 1.2.1 Contraindicações | 320 |
| 1.3 Artigos incluídos | 321 |
| 1.4 Vida útil | 322 |
| 1.5 Informações da garantia | 322 |
| 2 Segurança | 323 |
| 2.1 Diretrizes globais | 323 |
| 2.2 Informações sobre o funcionamento | 323 |
| 2.2.1 Geral | 324 |
| 2.2.2 Posicionamento | 325 |
| 2.2.3 Eliminação | 325 |
| 2.3 Interferência de radiofrequência | 326 |
| 2.4 Rotulagem do produto | 327 |
| 3 Configuração | 328 |
| 3.1 Montagem segura | 328 |
| 3.2 Montar o mastro na base | 329 |
| 3.3 Preparar o elevador para utilização | 329 |
| 3.4 Instalar o manípulo de deslocação | 330 |
| 3.5 Colocar o suporte de montagem do carregador de bateria na parede | 330 |
| 4 Utilização | 332 |
| 4.1 Introdução | 332 |
| 4.2 Fechar/Abriar as pernas do elevador | 332 |
| 4.2.1 Fechar/Abriar as pernas manualmente | 332 |
| 4.3 Travar/destravar os rodízios traseiros | 333 |
| 4.4 Elevar/baixar o elevador | 333 |

| | |
|---|------------|
| 4.4.1 Levantar/Baixar o elevador elétrico | 333 |
| 4.5 Ativar uma libertação de emergência mecânica | 334 |
| 4.5.1 Libertação de emergência principal | 334 |
| 4.5.2 Libertação de emergência secundária | 334 |
| 4.6 Realizar uma paragem de emergência | 335 |
| 4.7 Carregar a bateria | 335 |
| 4.7.1 Indicador da bateria | 335 |
| 4.7.2 Utilizar um cabo de alimentação para carregar a bateria | 337 |
| 4.7.3 Utilizar o carregador de baterias para carregar a bateria | 338 |
| 5 Elevar o paciente | 339 |
| 5.1 Elevação segura | 339 |
| 5.2 Posicionar o elevador de transferência | 341 |
| 5.3 Elevar o paciente | 343 |
| 5.4 Mover o paciente | 345 |
| 6 Transferir o paciente | 346 |
| 6.1 Transferência segura | 346 |
| 6.2 Transferir para uma cadeira sanitária | 347 |
| 6.3 Transferir para uma cadeira de rodas | 349 |
| 6.4 Transferir para uma cama | 350 |
| 7 Resolução de problemas | 351 |
| 7.1 Índice de resolução de problemas | 351 |
| 8 Manutenção | 353 |
| 8.1 Lista de verificação de manutenção e inspeção de segurança | 353 |
| 8.2 Limpar a linga e o elevador | 354 |
| 8.3 Reutilização | 355 |
| 8.4 Detetar sinais de danos e desgaste | 355 |
| 8.5 Lubrificar o elevador | 355 |
| 8.6 Ajustar a base | 356 |
| 8.7 Substituir o acionador elétrico | 357 |
| 8.8 Ajustar a altura da almofada do joelho | 357 |

| | |
|--|-------------|
| 9 Características Técnicas | .359 |
| 9.1 Auxiliar de elevação de paciente RPS3501E e RPS3501FR | .359 |

1 Geral

1.1 Símbolos

Este manual inclui palavras de sinalização que se aplicam a riscos ou práticas perigosas que possam resultar em lesões pessoais ou danos à propriedade. Consulte as informações abaixo para obter as definições das palavras de sinalização.



ADVERTÊNCIA!

– Advertência indica uma situação potencialmente perigosa que, se não for evitada, poderá resultar em morte ou em lesões graves.



ATENÇÃO!

– Precaução indica uma situação potencialmente perigosa que, se não for evitada, pode resultar em danos materiais, lesões ligeiras ou ambos.



IMPORTANTE

– Indica uma situação perigosa que, se não for evitada, poderá resultar em danos à propriedade.



Fornece sugestões, recomendações e informações úteis para uma utilização eficiente e sem problemas.



Data de fabrico.



Este produto está em conformidade com a Diretiva 93/42/CEE sobre dispositivos médicos.

A data de lançamento deste produto é indicada na declaração de conformidade CE.



Ler o manual



Sinal sonoro quando a bateria está fraca. Consulte a secção 4.7 *Carregar a bateria, página 335*



Travagem dos rodízios.



Abrir/fechar as pernas



Levantar/baixar os braços de elevação



Paragem de emergência



Carga funcional de segurança



Equipamento duplamente isolado e de Classe II



Peça aplicada de tipo B



Recicle este produto. Consulte 2.2.3
Eliminação, página 325

1.2 Utilização prevista



ADVERTÊNCIA!

Risco de queda

O elevador de transferência posição vertical da Invacare NÃO é um dispositivo de transporte. Destina-se à transferência de um indivíduo de uma superfície de repouso para outra (tal como de uma cama para uma cadeira de rodas). As cestas e os acessórios do elevador de transferência são especificamente concebidos para serem utilizados em conjunto com elevadores de paciente da Invacare.

Para evitar lesões ou quedas:

- os pacientes que forem transferidos ou posicionados com o elevador de transferência posição vertical DEVEM ser cooperantes, coerentes e ter controlo da cabeça e do pescoço. Caso contrário, poderão ocorrer lesões.
- Os pacientes que forem transferidos ou posicionados com a cesta de posição vertical DEVEM conseguir suportar a maior parte do seu próprio peso. Caso contrário, podem ocorrer lesões ou danos. Para obter mais informações, consulte o manual de utilização da cesta.

Elevadores de transferência posição vertical são dispositivos de transferência alimentados a bateria, concebidos para serem utilizados na maioria das situações de elevação, por exemplo:

- Entre a cama e uma cadeira de rodas
- Para e da sanita

O elevador de transferência posição vertical destina-se apenas a levantar pacientes até ao limite máximo de peso indicado nos dados técnicos.

A seleção das cestas e dos acessórios adequados para cada indivíduo é importante para assegurar a segurança durante a utilização do elevador do paciente. Consulte os manuais de utilização das cestas e dos acessórios da Invacare para obter informações adicionais sobre estes dispositivos.

A Invacare recomenda que o paciente seja transferido para uma cadeira de chuveiro ou outro dispositivo para banho.

O elevador de transferência posição vertical pode ser girado (rodado) quando em posição para transferências em superfícies de espaço limitado.

1.2.1 Contraindicações

O elevador de transferência posição vertical é contraindicado para pacientes que:

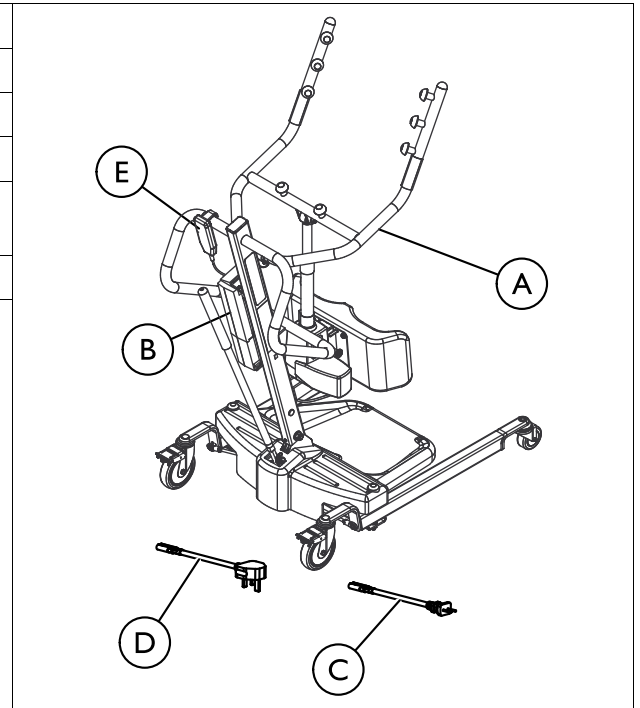
- não sejam cooperantes
- não sejam coerentes
- não tenham controlo da cabeça e do pescoço

Algumas cestas concebidas para o elevador de transferência posição vertical são contraindicadas para pacientes que não conseguem suportar a maior parte do seu próprio peso. Para obter mais informações, consulte o manual de utilização da cesta.

1.3 Artigos incluídos

Os artigos listados nas tabelas estão incluídos na embalagem.
As cestas são vendidas em separado. O carregador de parede pode ser vendido em separado.

| Artigo | Descrição | Quantidade |
|--------|--|------------|
| A | Elevador | 1 |
| B | Bateria | 1 |
| C | Cabo de carregamento, UE | 1 |
| D | Cabo de carregamento, Reino Unido (RPS350-1E apenas) | 1 |
| E | Comando | 1 |
| F | Manual de Utilização do elevador (não ilustrado) | 1 |



1.4 Vida útil



ADVERTÊNCIA!

Risco de lesões ou danos

A falta de manutenção do produto pode resultar na perda da função do produto, em lesões ou em danos.

A montagem incorreta deste produto pode causar lesões ou danos.

A utilização de peças incorretas ou impróprias, incluindo peças de substituição (assistência), pode causar lesões ou danos.

- A montagem e a manutenção TÊM DE ser realizadas apenas por pessoal qualificado.
- Para manter um bom funcionamento é necessária uma manutenção regular dos acessórios e elevadores de transferência.
- Utilize apenas peças da Invacare na montagem deste elevador de transferência. A base, as pernas, o mastro, o braço ou os braços do elevador, ou o suporte do atuador e a barra de suporte são fabricados de acordo com especificações que asseguram o alinhamento correto de todas as peças para um funcionamento seguro e funcional.
- Forneça SEMPRE o número de série do elevador para facilitar a encomenda das peças de substituição corretas.
- NÃO aperte excessivamente as ferragens de fixação. Se o fizer, irá danificar o suporte de montagem.

O elevador de transferência tem uma duração prevista de 8 anos, quando o mesmo é utilizado em conformidade com as instruções de segurança, intervalos de manutenção e utilização correcta, indicados neste manual. A duração efectiva do produto pode variar conforme a frequência e intensidade de utilização.

Vida útil do accionador

| Número de elevações por dia | Vida útil do accionador (em anos) |
|-----------------------------|-----------------------------------|
| 1–2 | 10 |
| 3 | 9 |
| 4 | 6 |
| 5 | 5 |
| 6 | 4 |
| 7–9 | 3 |
| 10–13 | 2 |
| 14–27 | 1 |

1.5 Informações da garantia

Os termos e condições da garantia fazem parte dos termos e condições gerais específicos de cada país em que este produto é vendido.

As informações de contacto do seu escritório local da Invacare estão localizadas na contracapa deste manual.

2 Segurança

2.1 Diretrizes globais



ADVERTÊNCIA!

– NÃO utilize este produto ou qualquer equipamento opcional disponível sem primeiro ler e compreender estas instruções e todo o material de instrução adicional, assim como os manuais de utilização, os manuais de assistência ou os folhetos informativos fornecidos com este produto ou com o equipamento opcional. Se não compreender as advertências, avisos ou instruções, contacte um profissional de cuidados de saúde, o fornecedor ou a equipa técnica antes de tentar utilizar este equipamento – caso contrário, podem ocorrer lesões ou danos.

ADVERTÊNCIA QUANTO AOS ACESSÓRIOS

Os produtos da Invacare foram especificamente concebidos e fabricados para serem utilizados em conjunto com acessórios Invacare.

Os acessórios concebidos por outros fabricantes não foram testados pela Invacare e não são recomendados para utilização com produtos Invacare. Em alguns casos, é possível utilizar as cestas de outros fabricantes.

– Contacte o departamento de vendas local da Invacare para obter mais informações sobre acessórios.



NOTA

– As informações neste documento podem ser alteradas sem aviso prévio.

Verifique todas as peças antes da utilização para verificar se ocorreram danos no transporte. Em caso de danos, NÃO utilize o equipamento. Contacte o fornecedor ou representante da Invacare para obter instruções adicionais.

2.2 Informações sobre o funcionamento

Esta secção do manual contém informações de segurança gerais sobre o produto. Para obter informações de segurança específicas, consulte a secção adequada do manual e os procedimentos incluídos nessa secção. Por exemplo, para obter informações de segurança relacionadas com a montagem do elevador, consulte a secção 3 *Configuração*, página 328

2.2.1 Geral



ADVERTÊNCIA!

Risco de queda

NÃO tente qualquer transferência sem a aprovação do médico responsável, enfermeiro ou médico assistente. Leia atentamente as instruções deste manual de utilização, observe uma equipa treinada de especialistas a realizar os procedimentos de elevação e, em seguida, realize o procedimento de elevação várias vezes com a devida supervisão e um indivíduo no papel de paciente.

- Utilize o senso comum ao utilizar qualquer elevador. DEVEM SER tomadas precauções especiais com pessoas com incapacidades que não podem cooperar ao serem levantadas.
- Utilize sempre o manípulo de orientação no mastro para empurrar ou puxar o elevador do paciente.
- Certifique-se de que verifica as ligações da cesta sempre que remover e substituir a cesta, para assegurar que esta está corretamente ligada antes de o paciente ser removido de um objeto estacionário (cama, cadeira ou cadeira sanitária).



ADVERTÊNCIA!

Risco de lesões ou danos

O elevador de transferência pode ser utilizado no interior ou no exterior. Algumas superfícies podem fazer com que o elevador fique instável e provoque lesões ou danos.

O elevador pode ser utilizado no chuveiro ou na zona de banho. Contudo, a humidade em excesso danifica o elevador e pode causar lesões.

- Evite utilizar o elevador num declive. A Invacare recomenda que o elevador seja apenas utilizado numa superfície plana.
- NÃO passe a base dos rodízios sobre superfícies irregulares que possam causar a queda do elevador de paciente.
- NÃO utilize o elevador de paciente no chuveiro, na banheira ou em qualquer ambiente com humidade prolongada.
- Assegure-se de que o elevador de paciente é limpo de quaisquer humidades após a utilização.
- NÃO guarde o elevador numa área húmida ou numa condição húmida. Para obter informações sobre os níveis de temperatura, de humidade e de pressão de armazenamento, consulte a *secção 7.1 Índice de resolução de problemas, página 351*
- Verifique periodicamente se todos os componentes do elevador de paciente apresentam sinais de corrosão. Substitua todas as peças corroídas ou danificadas.

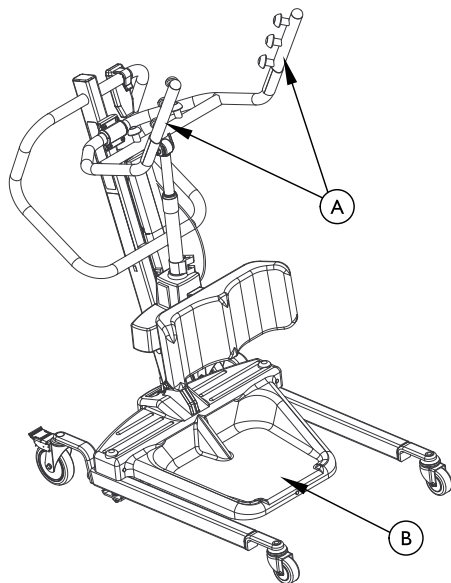
2.2.2 Posicionamento



ADVERTÊNCIA!

Risco de lesões

- Tenha SEMPRE cuidado com os braços de elevação. Podem ocorrer lesões no paciente e/ou no assistente.
- Tenha SEMPRE cuidado com o apoio de pés, especialmente com a posição do paciente no apoio de pés. Podem ocorrer lesões no paciente e/ou no assistente.



Ⓐ = Braços de elevação

Ⓑ = Placa do pé

2.2.3 Eliminação



ADVERTÊNCIA!

Perigo ambiental

Este produto foi produzido por um fabricante ambientalmente responsável, em conformidade com a diretiva relativa a resíduos de equipamento elétrico e eletrônico 2012/19/UE (REEE).

O dispositivo contém baterias de chumbo-ácido.

Este produto pode conter substâncias passíveis de danificar o ambiente, se for eliminado em locais (aterros) que não estão em conformidade com a legislação.

- NÃO elimine as baterias juntamente com o lixo doméstico comum. DEVE entregá-las a uma instalação de eliminação adequada. Para obter informações, contacte a sua empresa de gestão de resíduos local.
- Seja ambientalmente responsável e recicle este produto no fim da respetiva vida útil numa unidade de reciclagem.

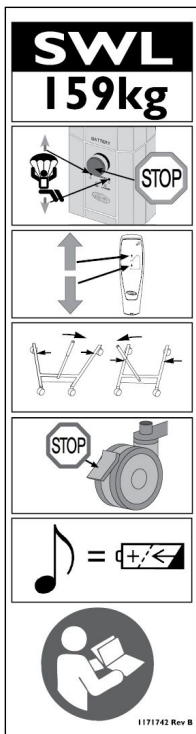
2.3 Interferência de radiofrequência



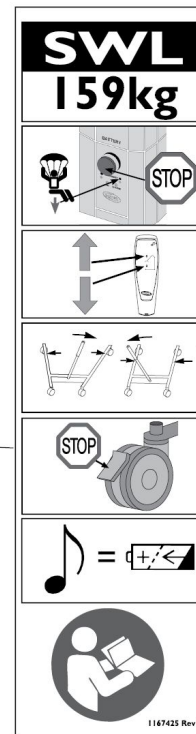
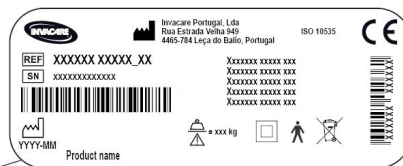
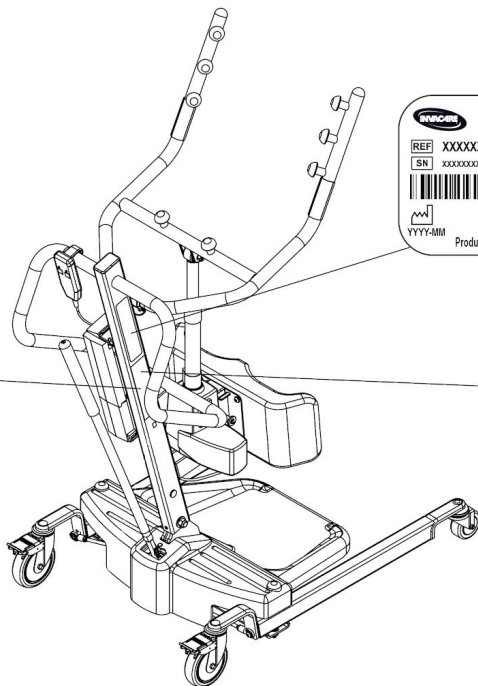
ADVERTÊNCIA!

- A maioria do equipamento electrónico é influenciada por interferência de radiofrequência (RFI). Devem ser tomadas as devidas PRECAUÇÕES relativamente à utilização do equipamento de comunicações portátil na área em redor do equipamento referido. Se a RFI provocar um comportamento irregular, **PRIMA IMEDIATAMENTE** o interruptor de alimentação vermelho. **NÃO LIGUE** o interruptor de alimentação enquanto houver transmissão em curso.

2.4 Rotulagem do produto



RPS350-IFR



RPS350-IE

3 Configuração

3.1 Montagem segura



ADVERTÊNCIA!

Risco de lesões

A montagem incorreta deste produto pode causar lesões ou danos.

- A montagem DEVE ser realizada apenas por pessoal qualificado.
- Utilize apenas peças da Invacare na montagem deste elevador de transferência. Os componentes do elevador são fabricados de acordo com especificações que asseguram o alinhamento correto de todas as peças para um funcionamento seguro.
- NÃO aperte excessivamente as ferragens de fixação. Se o fizer, irá danificar o suporte de montagem.



Não são necessárias ferramentas para montar o elevador de paciente.

Se surgir algum problema ou questão durante a montagem, contacte um representante local da Invacare. Consulte as informações de contacto no verso deste manual.

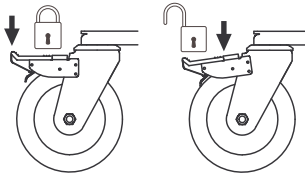
3.2 Montar o mastro na base



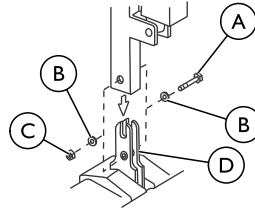
ADVERTÊNCIA!

– Utilize apenas peças da Invacare na montagem deste elevador de transferência. As pernas da base, o mastro, a viga, a unidade da bomba e a barra de oscilação são fabricados de acordo com especificações que asseguram o alinhamento correto de todas as peças para um funcionamento seguro.

DETALHE A



DETALHE B



1. Coloque a base no chão.



Certifique-se de que os quatro rodízios estão em contacto com o chão.

2. Trave os rodízios traseiros. Consulte o Detalhe A.
3. Retire o parafuso hexagonal, as anilhas e a porca que se localizam no recorte da base em forma de U. Consulte o Detalhe B.
4. Levante o mastro até ficar numa posição vertical.
5. Desça o mastro sobre o suporte de montagem.
6. Prenda o mastro à base com o parafuso hexagonal, as anilhas e a porca. Aperte até estar bem fixo.

3.3 Preparar o elevador para utilização

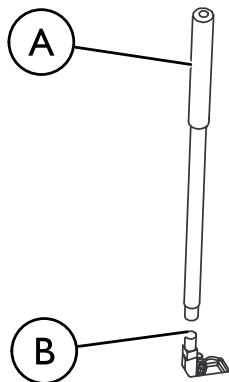
Verifique e aperte todas as ferragens ANTES da utilização.

| | |
|----------------------|-----------------------|
| Ⓐ Parafuso hexagonal | Ⓒ Porca |
| Ⓑ Anilha | Ⓓ Suporte de montagem |



A unidade do mastro pode ser retirada da base para armazenamento ou transporte. A unidade do mastro DEVE ser fixada adequadamente à unidade da base antes da utilização.

3.4 Instalar o manípulo de deslocação

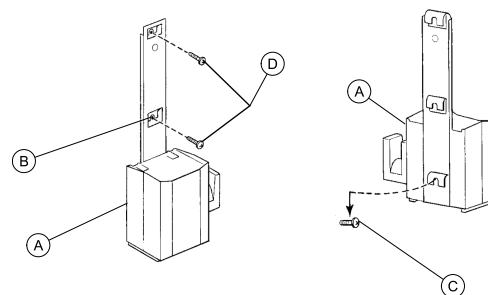


Ⓐ Manípulo de deslocação

Ⓑ Adaptador masculino na base

1. Retire o manípulo de deslocação da embalagem de cartão.
2. Coloque o manípulo de deslocação no adaptador masculino na base.


3.5 Colocar o suporte de montagem do carregador de bateria na parede



Consulte a regulamentação local sobre os procedimentos de montagem apropriados.

Este procedimento só se aplica aos modelos RPS350-1E.

1. Coloque o carregador de bateria com o suporte de montagem Ⓐ na parede na posição desejada.
2. Com um lápis, assinale a posição média do orifício Ⓑ.
3. Meça 16,5 cm (6½ polegadas) para baixo desde a marca a lápis e perfure um orifício de montagem.
4. Instale o parafuso de montagem de baixo Ⓒ até haver uma distância aproximada de 3 mm (1/8 de polegada) entre a cabeça do parafuso e a parede.
5. Coloque o carregador de bateria com o suporte de montagem no parafuso de montagem de baixo.
6. Perfure os restantes dois orifícios de montagem.

7. Coloque os dois parafusos de montagem restantes  no suporte de montagem e na parede. Aperte até estar bem fixo.
8. Ligue o carregador de bateria à tomada elétrica.



O LED ON (LIGADO) deve iluminar-se.

4 Utilização

4.1 Introdução

Os procedimentos de utilização do elevador de transferência são fáceis e seguros.



Antes de utilizar o elevador com um paciente, consulte os seguintes procedimentos para obter instruções e informações de segurança:

- 2.2 *Informações sobre o funcionamento, página 323*
- 5.3 *Elevar o paciente, página 343*

4.2 Fechar/Abrir as pernas do elevador



ADVERTÊNCIA!

Risco de lesões

O elevador pode tombar e colocar o paciente e os assistentes em perigo.

- As pernas do elevador devem estar na posição mais aberta para garantir a máxima estabilidade e segurança. Se for necessário fechar as pernas do elevador para o manobrar debaixo de uma cama, feche as pernas do elevador apenas durante o tempo necessário para posicionar o elevador sobre o paciente e elevar o paciente para fora da superfície da cama. Quando as pernas do elevador já não estiverem debaixo da cama, volte a colocar as pernas do elevador na posição mais aberta.

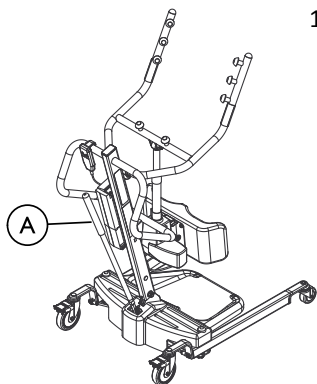
4.2.1 Fechar/Abrir as pernas manualmente

O manípulo de deslocação é utilizado para abrir ou fechar as pernas da base para conseguir estabilidade ao elevar o paciente.



Consulte as informações de segurança na secção 4.2 *Fechar/Abrir as pernas do elevador, página 332* antes de efetuar este procedimento.

Ⓐ = Manípulo de deslocação



1. Para fechar as pernas:
Puxe o manípulo de deslocação PARA FORA e afaste-o do elevador vertical e, em seguida, direcione-o para a sua ESQUERDA até BLOQUEAR na ranhura do suporte.



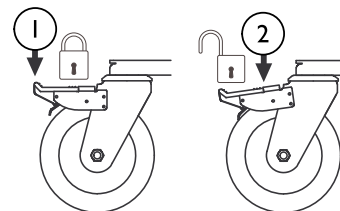
A esquerda é definida a partir da traseira do elevador vertical em direção aos rodízios frontais.

2. Para abrir as pernas:
Puxe o manípulo de deslocação PARA FORA e afaste-o do elevador vertical e, em seguida, direcione-o para a sua DIREITA até BLOQUEAR na ranhura do suporte.



A direita é definida a partir da traseira do elevador vertical em direção aos rodízios frontais.

4.3 Travar/destravar os rodízios traseiros



1. Pise aqui para travar
2. Pise aqui para destravar

4.4 Elevar/baixar o elevador



ADVERTÊNCIA! **Risco de lesões**

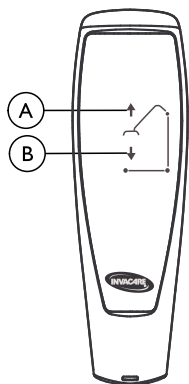
O elevador pode tombar e colocar o paciente e os assistentes em perigo.

- A Invacare recomenda que os rodízios traseiros permaneçam desbloqueados durante os procedimentos de elevação, para permitir que o elevador de transferência estabilize quando o paciente for elevado inicialmente a partir de uma cadeira, cama ou qualquer objeto estacionário.


4.4.1 Levantar/Baixar o elevador elétrico



Consulte as informações de segurança na secção 4.4 *Elevar/baixar o elevador*, página 333 antes de efetuar este procedimento.



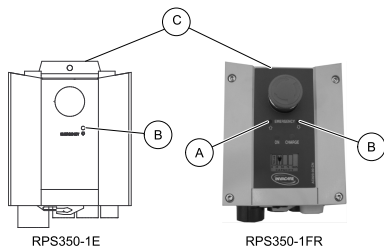
1. Para levantar o elevador — mantenha premido o botão UP (PARA CIMA) **A** para elevar a viga e o paciente.
2. Para baixar o elevador — mantenha premido o botão DOWN (PARA BAIXO) **B** para baixar a viga e o paciente.

 Solte o botão para levantar ou baixar o elevador.

4.5 Ativar uma liberação de emergência mecânica

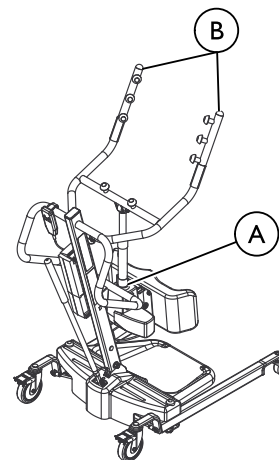
Existem dois tipos de liberação de emergência mecânica — principal e secundária.

4.5.1 Liberação de emergência principal




1. Insira uma caneta no orifício da etiqueta de Subida de emergência **A** ou Descida de emergência **B** na caixa de comando **C**.

4.5.2 Liberação de emergência secundária



A Pega de emergência VERMELHA

B Braços de elevação

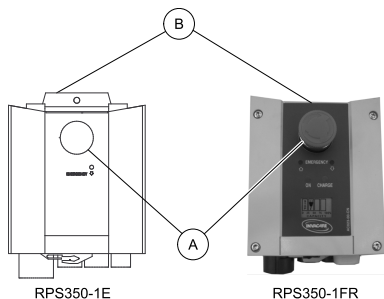
 Recomendamos que seja utilizada a liberação de emergência principal. A liberação de emergência

secundária existe como alternativa à libertação de emergência principal.

Em situações onde a libertação principal não esteja a funcionar ou não seja possível de alcançar, pode ser utilizada uma libertação de emergência secundária.

1. Puxe a pega de EMERGÊNCIA para cima **(A)** e, simultaneamente, pressione os braços de elevação para baixo **(B)**.

4.6 Realizar uma paragem de emergência



1. Prima o botão VERMELHO **(A)** na caixa de comando **(B)** para parar a viga e o paciente de subirem ou descerem.
2. Para repor, rode o botão de emergência no sentido dos ponteiros do relógio.

4.7 Carregar a bateria



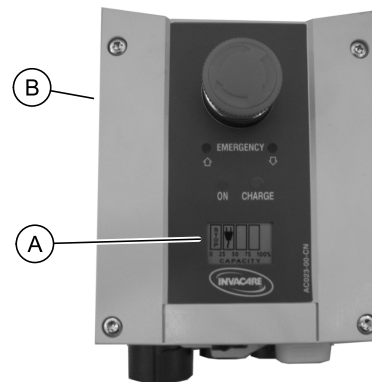
A Invacare recomenda que a bateria seja carregada diariamente para prolongar o período de vida útil da bateria.

Existem dois métodos diferentes para carregar a bateria. Um método utiliza um cabo de alimentação conectado à caixa de comando, o outro método requer que a bateria seja conectada ao carregador de bateria. Siga o procedimento adequado para carregar a bateria do elevador de paciente.





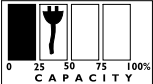
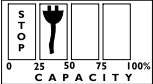
4.7.1 Indicador da bateria



Este procedimento só se aplica aos modelos RPS350-1FR.



O indicador da bateria **(A)** está localizado na caixa de comando **(B)**. Os LED indicam o estado da bateria:


| Indicador da bateria na caixa de comando  | Estado da bateria | Descrição |
|--|-------------------------|--|
|  | Carga completa 100 % | A bateria está OK — não é necessário carregar (100 %). |
|  | Carga a 75 % | A bateria está OK — não é necessário carregar (75 %). |
|  | Carga a 50 % | A bateria necessita de ser carregada (50 %). |
|  | Carga baixa 25 % | A bateria necessita de ser carregada (25 %). Ouve-se uma buzina quando um botão é premido. |
|  | Carga baixa (0 %) | <p>A bateria necessita de ser carregada.</p> <p>Algumas das funcionalidades do elevador não estão disponíveis e é apenas possível baixar a viga.</p> <p>Ouve-se um sinal sonoro (buzina com bip) quando a bateria está fraca. Se o sinal sonoro soar durante uma transferência, conclua a transferência e depois carregue a bateria.</p> |

4.7.2 Utilizar um cabo de alimentação para carregar a bateria



ATENÇÃO!

– A paragem de emergência **NÃO DEVE** ser ativada, uma vez que tal impossibilita o carregamento da bateria. Enquanto decorre o carregamento, o elevador de transferência não pode ser utilizado. **NÃO** tente mover o elevador de transferência sem desligar o cabo de alimentação da tomada. **NÃO** tente utilizar o elevador de transferência se o alojamento da bateria estiver danificado. Substitua o alojamento da bateria danificado antes de qualquer utilização posterior.

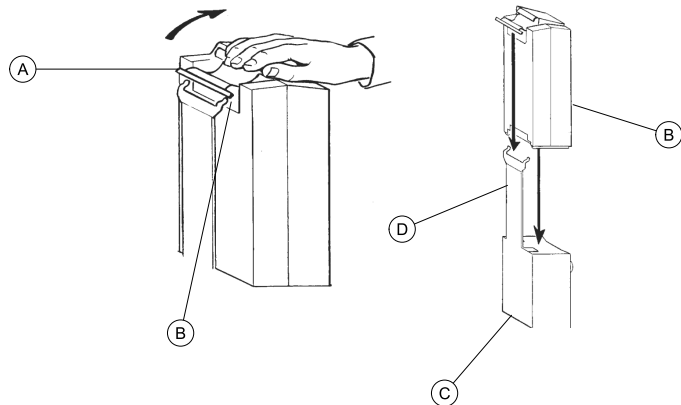
1. Ligue o cabo de alimentação à caixa de comando.
2. Ligue o cabo de alimentação a uma tomada de parede.
 -  A bateria leva cerca de 4 horas a carregar. O carregamento deve ser realizado numa sala bem ventilada.
3. Desligue o cabo de alimentação da tomada depois de a bateria estar completamente carregada.




Este procedimento só se aplica ao RPS350-1FR.

Ⓐ = Conexão do cabo de alimentação

4.7.3 Utilizar o carregador de baterias para carregar a bateria



 Este procedimento só se aplica ao RPS350-1E.

1. Levante o manípulo (A) na parte detrás da bateria (B).
2. Levante a bateria e afaste-a da caixa de comando (C).



ATENÇÃO!

A montagem incorrecta da bateria pode causar lesões ou danos.
 – Certifique-se de que ouve um clique quando montar a bateria no carregador de bateria para confirmar a montagem adequada.

3. Coloque a bateria no carregador da bateria (D) como é apresentado. Certifique-se de que ouve um clique sonoro.



O LED de carga ilumina-se. Quando o carregamento estiver concluído, o LED de carga desliga-se.
 Uma bateria necessita de aproximadamente quatro horas para recarregar totalmente.

4. Levante o manípulo na parte de trás da bateria.
5. Levante a bateria e afaste-a do carregador da bateria.



ATENÇÃO!

A montagem incorrecta da bateria pode causar lesões ou danos.
 – Certifique-se de que ouve um clique sonoro quando montar a bateria na caixa de comando para confirmar a montagem adequada.

6. Reinstale a bateria na caixa de comando tal como é apresentado. Certifique-se de que ouve um clique sonoro.



A bateria é instalada na caixa de comando e no carregador da bateria como é apresentado.

5 Elevar o paciente

5.1 Elevação segura



ADVERTÊNCIA!

- NÃO exceda a limitação de peso máximo (SWL) de 159 kg (25 stone). O peso máximo do paciente é de 159 kg (25 stone).
- NÃO tente qualquer transferência sem a aprovação de um profissional de cuidados de saúde.
- Afaste SEMPRE as mãos e os dedos das peças em movimento para evitar lesões.
- Durante a transferência, com o paciente suspenso na cesta, NÃO passe a base do elevador sobre quaisquer superfícies irregulares que possam fazer com que o elevador fique instável.
- Utilize sempre o manípulo de orientação na unidade do mastro para empurrar ou puxar o elevador.



ADVERTÊNCIA!

Manusear o elevador e elevar o paciente

- Assegure-se de que o equipamento utilizado com o elevador de transferência posição vertical é de força apropriada para elevar a carga (por ex., a cesta). Assegure-se de que, perante uma avaria do equipamento, a pessoa a ser elevada não é exposta a qualquer perigo.
- Antes de posicionar as pernas do elevador de transferência posição vertical em torno do paciente, assegure-se de que os pés do paciente estão fora da placa de pé – caso contrário, podem ocorrer lesões.
- Devem ser realizados ajustes tendo em vista a segurança e o conforto antes de mover o paciente. Os braços do paciente devem estar fora das presilhas da cesta.



ADVERTÊNCIA!

Manusear o elevador e elevar o paciente

- Antes de elevar um paciente de um objeto estacionário (cadeira de rodas, cadeira sanitária ou cama), erga levemente o paciente do objeto estacionário e verifique se todas as fixações da cesta estão seguras. Se os encaixes não estiverem corretamente colocados, baixe o paciente e corrija este problema e, em seguida, eleve o paciente e verifique novamente.
- Durante a transferência, com o paciente suspenso numa cesta presa ao elevador, NÃO passe a base dos rodízios sobre superfícies irregulares que possam provocar desequilíbrio do elevador de paciente e causar a queda do elevador de paciente. Utilize SEMPRE o manípulo de orientação no mastro para empurrar ou puxar o elevador do paciente.
- A Invacare recomenda a travagem dos rodízios traseiros APENAS quando posicionar ou remover a cesta (posição vertical ou transferência posição vertical) à volta do paciente.
- A Invacare NÃO recomenda a travagem dos rodízios traseiros do elevador de paciente durante a elevação de um indivíduo. Fazê-lo pode levar o elevador a inclinar-se e a colocar em perigo o paciente e os assistentes. A Invacare RECOMENDA que os rodízios traseiros permaneçam destravados durante os procedimentos de elevação para permitir que o elevador de paciente estabilize quando o paciente for elevado inicialmente de uma cadeira, cama ou objeto estacionário.



ADVERTÊNCIA!

Utilizar a cesta

- Utilize a cesta recomendada por um profissional de cuidados de saúde para conforto e segurança do indivíduo que vai ser levantado.
- Os indivíduos que utilizem a cesta de posição vertical DEVEM conseguir suportar a maior parte do seu próprio peso – caso contrário, podem ocorrer lesões.
- As cestas branqueadas, rasgadas, cortadas, desfiadas ou partidas não são seguras e a sua utilização pode resultar em lesões ou danos. Elimine IMEDIATAMENTE qualquer cesta que apresente um destes critérios.
- NÃO introduza alterações nas cestas.
- Certifique-se de que verifica as ligações da cesta sempre que remover e substituir a cesta, para assegurar que esta está corretamente ligada antes de o paciente ser removido de um objeto estacionário (cama, cadeira ou cadeira sanitária).
- Se o paciente se encontrar numa cadeira de rodas, ative os travões da cadeira de rodas para evitar que a cadeira avance ou recue.
- Deve considerar a prevenção de exposição a perigos de uma pessoa que esteja a ser levantada e que essa pessoa não sofra quaisquer lesões.

**ADVERTÊNCIA!****Cesta de posição vertical**

- NÃO utilize a cesta de posição vertical em combinação com o elevador de paciente como um dispositivo de transporte. Destina-se à transferência de um indivíduo de uma superfície de repouso para outra (tal como de uma cama para uma cadeira de rodas).
- Antes de elevar o paciente, certifique-se de que a extremidade inferior da cesta de posição vertical está posicionada na parte traseira do paciente e que os braços do paciente estão fora da cesta de posição vertical. O cinto DEVE ser apertado mas confortável para o paciente. Caso contrário, o paciente pode escorregar da cesta durante a transferência, causando possíveis lesões.
- O cinto DEVE ser apertado mas confortável para o paciente. Caso contrário, o paciente pode escorregar da cesta durante a transferência, causando possíveis lesões.

Cesta de transferência posição vertical

- Antes de elevar o paciente, certifique-se de que a extremidade inferior da cesta de transferência posição vertical está posicionada na base da coluna e que os braços do paciente estão fora da cesta de transferência posição vertical.
- NÃO eleve o paciente para uma posição vertical enquanto utiliza a cesta de transferência posição vertical. Caso contrário, podem ocorrer lesões.



Para obter mais informações, consulte a brochura da cesta de paciente.

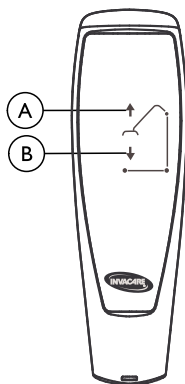
5.2 Posicionar o elevador de transferência

Consulte a secção sobre segurança neste manual e reveja as informações em *5.1 Elevação segura, página 339* antes de avançar, tendo em atenção todas as advertências indicadas.

Antes de colocar as pernas do elevador de transferência debaixo da cama, certifique-se de que a área está livre de obstáculos.

**ADVERTÊNCIA!****Risco de lesões**

- O elevador pode tombar e colocar o paciente e os assistentes em perigo.
- As pernas do elevador devem estar na posição mais aberta para garantir máxima estabilidade e segurança. Se for necessário fechar as pernas do elevador para o manobrar debaixo de uma cama, feche as pernas do elevador apenas durante o tempo necessário para posicionar o elevador sobre o paciente e elevar o paciente da superfície da cama. Quando as pernas do elevador já não estiverem debaixo da cama, volte a colocar as pernas do elevador na posição mais aberta.



Ⓐ Botão UP (PARA CIMA)

Ⓑ Botão DOWN (PARA BAIXO)

1. Certifique-se de que as pernas do elevador de transferência posição vertical estão na posição mais aberta. Caso não estejam, utilize o manípulo de deslocação para abrir as pernas.
2. Posicione o elevador de transferência posição vertical, utilizando o manípulo do mastro.
3. Prima o botão da seta para baixo no comando para baixar os braços de elevação para obter um encaixe fácil da cesta.

5.3 Elevar o paciente



ADVERTÊNCIA!

- NÃO exceda a limitação de peso máximo (SWL) de 159 kg (25 stone). O peso máximo do paciente é de 159 kg (25 stone).
- Os indivíduos que utilizem a cesta de posição vertical DEVEM conseguir suportar a maior parte do seu próprio peso – caso contrário, podem ocorrer lesões.
- NÃO trave os rodízios traseiros do elevador de transferência posição vertical durante a elevação de um indivíduo. A travagem dos rodízios traseiros pode levar o elevador de transferência posição vertical a inclinar-se e a colocar em perigo o paciente e os assistentes. O desbloqueio dos rodízios traseiros durante os procedimentos de elevação permite a estabilização do elevador quando o paciente é elevado inicialmente de uma cadeira de rodas, cama ou objeto estacionário.
- NÃO mova o paciente se a cesta não estiver fixa adequadamente aos pontos de fixação no elevador de transferência posição vertical.
- Certifique-se de que a cesta está adequadamente apertada ANTES de elevar o paciente. Se os encaixes não estiverem no sítio apropriado, corrija o problema. Quando a cesta estiver elevada alguns centímetros acima da superfície estacionária e antes de mover o paciente, volte a verificar se a cesta e todos os encaixes estão no lugar de forma segura. Se encontrar algum problema, baixe o paciente para a superfície estacionária e corrija

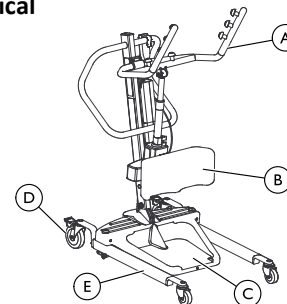
o problema - caso contrário, podem ocorrer lesões ou danos.

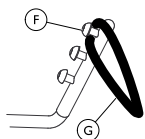
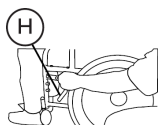


ADVERTÊNCIA!


- Devem ser realizados ajustes tendo em vista a segurança e o conforto antes de mover o paciente.
- Utilize a cesta recomendada pelo médico responsável, enfermeiro ou médico assistente do indivíduo para conforto e segurança do indivíduo que vai ser levantado. As cestas de paciente Invacare foram concebidas especificamente para utilização com os elevadores de paciente Invacare. Em alguns casos, é possível utilizar as cestas de outros fabricantes em elevadores Invacare. Contacte o departamento de vendas local da Invacare para obter mais informações.

Detalhe A — elevador de transferência posição vertical



Detalhe B — Fixação da cesta**Detalhe C — Travões**

| | |
|------------------------|-----------------------|
| (A) Pegas | (E) Perna |
| (B) Almofada do joelho | (F) Gancho |
| (C) Placa do pé | (G) Presilha da cesta |
| (D) Rodízio traseiro | (H) Travão |

 Para obter mais informações, consulte o manual de utilização da cesta de paciente.

Em primeiro lugar, o paciente DEVE estar sentado. Utilize a secção da cabeça da cama para endireitar o paciente e, em seguida, mova as pernas para o lado da cama.

1. Indique ao paciente que se segure às pegadas de ambos os lados do elevador de transferência posição vertical (Detalhe A).
2. Indique ao paciente que se recoste na cesta vertical ou de transferência.

**ADVERTÊNCIA!**

- Cestas de posição vertical
 - antes de elevar o paciente, certifique-se de que a extremidade inferior da cesta está posicionada na zona lombar do paciente e que os braços do paciente estão fora da cesta.
- Cestas de transferência posição vertical
 - antes de elevar o paciente, certifique-se de que a extremidade inferior da cesta está posicionada na base da coluna e que os braços do paciente estão fora da cesta.

3. Deve assegurar que:
 - a. Os joelhos do paciente estão seguros no suporte dos joelhos.
 - b. Os pés do paciente estão posicionados adequadamente na placa de pé.
 - c. Cestas:
 - a extremidade inferior da cesta de posição vertical está posicionada na parte traseira do paciente.
 - a extremidade inferior da cesta de transferência posição vertical de transferência está posicionada na base da coluna do paciente.
 - os braços do paciente estão fora da cesta.
 - as presilhas da cesta estão totalmente presas aos ganchos dos braços de elevação (Detalhe B).
 - d. Os rodízios traseiros estão destravados.
 - e. As pernas estão na posição mais aberta.

**ADVERTÊNCIA!**

– Se transferir um paciente de uma cadeira de rodas, os travões da cadeira de rodas DEVEM estar travados antes de baixar o paciente para cima da cadeira de rodas. Caso contrário, poderão ocorrer lesões.

4. Se transferir de uma cadeira de rodas, engate os travões na cadeira de rodas (Detalhe C).
5. Prima o botão com a seta PARA CIMA no comando para levantar o paciente acima da superfície (cama, cadeira de rodas ou cadeira sanitária). O peso do paciente é totalmente suportado pelo elevador de transferência posição vertical.



O centro de gravidade inferior oferece estabilidade, fazendo com que o paciente se sinta mais seguro e facilitando o movimento do elevador.

5.4 Mover o paciente

**ADVERTÊNCIA!**

– As pernas do elevador de transferência posição vertical DEVEM estar na posição mais aberta para garantir máxima estabilidade e segurança. Se o paciente estiver numa cesta e for necessário movê-lo através de uma passagem estreita, feche as pernas do elevador de transferência posição vertical apenas durante o período de tempo necessário para o mover através da passagem. Quando o elevador de transferência posição vertical completar a passagem, volte a colocar as pernas na posição mais aberta.

– Durante a transferência de um paciente suspenso na cesta do elevador, NÃO passe a base dos rodízios sobre superfícies irregulares que possam provocar o desequilíbrio do elevador. Tal pode fazer com que o elevador tombe. Utilize sempre o manípulo do mastro para empurrar ou puxar o elevador do paciente.

1. Certifique-se de que as pernas do elevador de transferência posição vertical estão na posição mais aberta. Caso não estejam, prima o botão OPEN LEGS (ABRIR PERNAS) no comando para mover as pernas para a posição mais aberta.
2. Mova o elevador de transferência posição vertical para longe da superfície onde foi feita a elevação.
3. Lentamente, desloque o paciente até à superfície desejada.

6 Transferir o paciente

6.1 Transferência segura



ADVERTÊNCIA!

- NÃO exceda a limitação de peso máximo (SWL) de 159 kg (25 stone). O peso máximo do paciente é de 159 kg (25 stone).
- NÃO tente transferir um paciente sem a aprovação de um profissional de cuidados de saúde. Leia atentamente as instruções neste manual do fabricante, observe uma equipa treinada de especialistas a realizar os procedimentos de elevação e, em seguida, realize todo o procedimento de elevação várias vezes com a devida supervisão e com um indivíduo no papel de paciente. Pode ser fornecido treino. Contacte o departamento de vendas local da Invacare para obter mais informações.
- NÃO mova o paciente se a cesta não estiver conectada adequadamente aos pontos de fixação do elevador de transferência posição vertical. Verifique se a cesta está conectada adequadamente aos pontos de fixação antes de elevar um paciente. Se os encaixes não estiverem no sítio apropriado, corrija o problema. Quando a cesta estiver elevada alguns centímetros acima da superfície estacionária e antes de mover o paciente, volte a verificar se todos os encaixes da linga estão seguros. Se os encaixes não estiverem corretamente colocados, baixe o

paciente para a superfície estacionária e corrija este problema - caso contrário, podem ocorrer lesões ou danos.

- Devem ser realizados ajustes tendo em vista a segurança e o conforto antes de mover o paciente. Os braços do paciente devem estar fora das correias.



ADVERTÊNCIA!

- Utilize a cesta recomendada por um profissional de cuidados de saúde para conforto e segurança do indivíduo que vai ser levantado.
- NÃO trave os rodízios traseiros do elevador de transferência posição vertical durante a elevação de um indivíduo. A travagem dos rodízios traseiros pode levar o elevador de transferência a inclinar-se e a colocar em perigo o paciente e os assistentes.
- As pernas do elevador de transferência posição vertical DEVEM estar na posição mais aberta para garantir máxima estabilidade e segurança. Se o paciente estiver numa cesta e for necessário movê-lo através de uma passagem estreita, feche as pernas do a elevador de transferência apenas durante o período de tempo necessário para o mover através da passagem. Quando o elevador de transferência completar a passagem, volte a colocar as pernas na posição mais aberta. Se for necessário fechar as pernas para manobrar o elevador de transferência debaixo de uma cama, feche as pernas do elevador apenas durante o tempo necessário para posicionar o elevador de transferência sobre o paciente e elevar o paciente

da superfície da cama. Quando as pernas do elevador de transferência posição vertical já não estiverem debaixo da cama, volte a colocar as pernas do elevador na posição mais aberta.

- Não se esqueça de verificar as ligações da cesta sempre que remover e substituir a cesta, para assegurar que esta está corretamente fixada antes de o paciente ser removido de uma superfície.

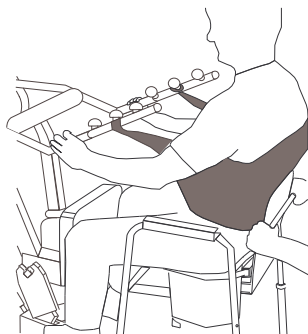
A opção de trabalhar com um só assistente depende da avaliação que o profissional de cuidados de saúde faça de cada caso individual.

6.2 Transferir para uma cadeira sanitária

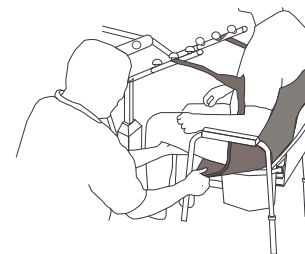
Detalhe A



Detalhe B




Detalhe C



ADVERTÊNCIA!

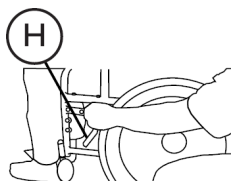
- A Invacare recomenda a travagem dos rodízios traseiros apenas quando posicionar ou remover a cesta à volta do paciente.

1. Levante o paciente do lado da cama.
2. Prima o botão UP (PARA CIMA) no comando para elevar o paciente o suficiente para libertar os braços da cadeira sanitária. O peso é suportado pelo elevador de transferência posição vertical.
3. Guie o paciente para a cadeira sanitária. Podem ser necessários dois assistentes.
4. Prima o botão da seta para baixo para baixar o paciente para a cadeira sanitária.
5. Trave os rodízios traseiros no elevador de transferência posição vertical.

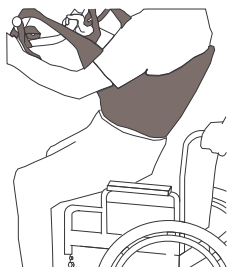
6. Dependendo do tipo de cesta, siga uma das seguintes hipóteses:
- Cesta de posição vertical –
desengate a cesta de posição vertical dos pontos de fixação no elevador de transferência posição vertical.
 - Cesta de transferência posição vertical–
 - a. desengate a cesta de transferência posição vertical dos pontos de fixação inferiores no elevador de transferência posição vertical.
 - b. Eleve as pernas do paciente e retire os apoios da coxa de debaixo do paciente.
 - c. Se achar necessário, desengate a cesta de transferência posição vertical dos pontos de fixação superiores no elevador de transferência posição vertical.
 O paciente pode permanecer na parte superior da cesta de transferência posição vertical utilizando a cadeira sanitária.
7. Indique ou ajude o paciente a levantar os pés da placa de pé.
8. Retire a cesta ao paciente.
9. Destrave os rodízios traseiros e afaste o elevador de transferência posição vertical da cadeira sanitária.
10. Depois de terminado este processo, volte a verificar se a cesta está corretamente ligada.

6.3 Transferir para uma cadeira de rodas

Detalhe A





Detalhe B



Detalhe C



  = Travão da cadeira de rodas

1. Certifique-se de que as pernas do elevador com o paciente na cesta estão na posição aberta. Mantenha premido o botão de pernas abertas até chegar à posição aberta máxima.
2. Movimente a cadeira de rodas até ficar em posição.
3. Engate os travões da cadeira de rodas para prevenir o movimento da cadeira (Detalhe A).



ADVERTÊNCIA!

– NÃO coloque o paciente na cadeira de rodas se os travões não estiverem travados. Os travões da cadeira de rodas DEVEM estar na posição travada antes de baixar o paciente para a cadeira de rodas para o transportar. Caso contrário, pode resultar em lesões.

4. Posicione o paciente sobre a cadeira de rodas (Detalhe "B").
5. Prima o botão da seta para baixo e baixe o paciente para a cadeira de rodas.



ADVERTÊNCIA!

– Trave os rodízios traseiros APENAS quando posicionar ou remover a cesta (de posição vertical ou de transferência posição vertical) à volta do paciente. Caso contrário, poderão ocorrer lesões.

6. Trave os rodízios traseiros.

7. Desengate a cesta de todos os pontos de fixação no elevador (Detalhe C).
8. Indique ao paciente que levante os pés da placa de pé. Se necessário, ajude o paciente.
9. Retire a cesta ao paciente.
10. Destrave os rodízios traseiros e afaste o elevador de transferência posição vertical da cadeira de rodas.

6.4 Transferir para uma cama



O centro de gravidade inferior oferece estabilidade, fazendo com que o paciente se sinta mais seguro e facilitando o movimento do elevador.

1. Posicione o paciente o mais afastado da cama possível.



Se o paciente estiver a ser transferido de uma superfície que é mais baixa do que a cama, prima o botão da seta para cima para elevar o paciente acima da superfície da cama. O paciente deve ser elevado a uma altura suficiente para ficar completamente fora da cama, com todo o peso suportado pelo elevador.

2. Prima o botão da seta para baixo e baixe o paciente para a cama.



ADVERTÊNCIA!

– A Invacare recomenda a travagem dos rodízios traseiros APENAS quando posicionar ou remover a cesta à volta do paciente.

3. Trave os rodízios traseiros.

4. Desengate a cesta de posição vertical ou de transferência posição vertical de todos os pontos de fixação no elevador de transferência posição vertical.
5. Indique ao paciente que levante os pés da placa de pé.



Se necessário, ajude o paciente.

6. Retire o cesta de posição vertical ou o cesta de transferência posição vertical do paciente.
7. Destrave os rodízios traseiros e afaste o elevador de transferência posição vertical da cama.

7 Resolução de problemas

7.1 Índice de resolução de problemas

| SINTOMAS | FALHAS | SOLUÇÃO |
|---|---|--|
| Ruído ou som “seco” nos eixos. | Precisa de lubrificação. | Consulte a secção 8.5 <i>Lubrificar o elevador, página 355</i> |
| O acionador elétrico não realiza a elevação quando o botão é pressionado. | Ligação do comando ou do acionador solta. | Ligue o conector do comando ou acionador. Certifique-se de que os conectores estão bem encaixados e totalmente ligados. |
| | Bateria baixa. | Carregue as baterias. Consulte a secção 4.7 <i>Carregar a bateria, página 335</i> |
| | Botão de paragem de emergência VERMELHO pressionado. | Rode o botão VERMELHO de paragem de emergência NO SENTIDO DOS PONTEIROS DO RELÓGIO até sobressair. |
| | Bateria não ligada adequadamente à caixa de comando. | Volte a ligar a bateria à caixa de comando. Consulte a secção 4.7 <i>Carregar a bateria, página 335</i> |
| | Os terminais de ligação estão danificados. | Substitua o pack de baterias. Consulte a secção 4.7 <i>Carregar a bateria, página 335</i> |
| | O acionador elétrico precisa de reparação ou a carga é demasiado elevada. | Consulte a secção 8.7 <i>Substituir o acionador elétrico, página 357</i> . Contacte o seu fornecedor ou representante da Invacare. |

| SINTOMAS | FALHAS | SOLUÇÃO |
|---|--|---|
| Ruído invulgar do acionador do braço de elevação. | O acionador está desgastado ou danificado ou o eixo está dobrado. | Consulte a secção 8.7 <i>Substituir o acionador eléctrico</i> , página 357. Contacte o seu fornecedor ou representante da Invacare. |
| Os braços de elevação não baixam na posição mais elevada. | Os braços de elevação requerem uma carga de peso mínima para serem descidos da posição mais elevada. | Puxe ligeiramente os braços de elevação. |
| As pernas não abrem ou fecham corretamente. | A base pode precisar de ser ajustada. | Consulte a secção 8.6 <i>Ajustar a base</i> , página 356 |



Se os problemas não forem corrigidos pelos métodos sugeridos, contacte o seu fornecedor ou a Invacare.

8 Manutenção

8.1 Lista de verificação de manutenção e inspeção de segurança



ADVERTÊNCIA!

- A manutenção DEVE ser realizada APENAS por pessoal qualificado.
- Uma pessoa competente deve assegurar que a força e a estabilidade do produto permanecem adequadas para todas as tarefas se as partes forem substituídas.
- NÃO aperte demasiado as ferragens de fixação porque pode danificar os suportes de montagem.



Siga os procedimentos de manutenção descritos neste manual para manter o seu elevador de paciente em funcionamento contínuo.

O elevador de transferência Invacare foi concebido para proporcionar o máximo funcionamento seguro, eficiente e satisfatório com os mínimos cuidados e manutenção.

Todas as peças do elevador Invacare são fabricadas com as melhores variantes de aço, mas o contacto de metal com metal irá provocar desgaste após uma utilização considerável.

Para além da limpeza, lubrificação e verificação do aperto dos parafusos do eixo e oscilação, não existe mais nenhuma outra operação de ajuste ou manutenção dos rodízios. Retire todos os detritos ou sujidade dos rolamentos dos rodízios

e oscilação. Se existirem peças desgastadas, substitua-as IMEDIATAMENTE.

Se tiver dúvidas sobre a segurança de qualquer peça do elevador, contacte o fornecedor IMEDIATAMENTE.

Para manter um bom funcionamento, é necessária uma manutenção regular dos acessórios e dos elevadores de pacientes. A pessoa responsável pelo elevador de paciente tem a responsabilidade de assegurar que esta manutenção é realizada.

Após os primeiros 12 meses de utilização, verifique o desgaste de todos os centros de rotação e fechos. Se o metal acusar desgaste, DEVE proceder à substituição das peças. A partir deste momento, realize esta inspeção a cada seis meses.

| | |
|---|----------|
| Data da inspeção: | Rubrica: |
| <p>A BASE DOS RODÍZIOS</p> <ul style="list-style-type: none"> <input type="checkbox"/> Verifique se faltam ferragens. <input type="checkbox"/> Verifique se a base abre e fecha com facilidade. <input type="checkbox"/> Verifique se os rodízios e os parafusos do eixo estão bem apertados. <input type="checkbox"/> Verifique se os rodízios oscilam e rodam sem problemas. <input type="checkbox"/> Verifique se os rodízios têm detritos e limpe-os. <input type="checkbox"/> Verifique se as articulações apresentam sinais de desgaste. | |
| <p>CESTAS E FERRAGENS</p> <ul style="list-style-type: none"> <input type="checkbox"/> Verifique todas as fixações da cesta sempre que esta for usada para assegurar uma ligação correta e a segurança do paciente. <input type="checkbox"/> Verifique se o material da cesta apresenta sinais de desgaste. <input type="checkbox"/> Verifique se as correias apresentam sinais de desgaste. <input type="checkbox"/> Inspeccione as costuras. | |
| <p>A UNIDADE DO ACIONADOR ELÉTRICO</p> <ul style="list-style-type: none"> <input type="checkbox"/> Verifique se há fugas. <input type="checkbox"/> Inspeccione as ferragens no mastro, viga e base. <input type="checkbox"/> Verifique se há sinais de desgaste ou deterioração. Se encontrar danos, devolva à fábrica. <input type="checkbox"/> Ligue e desligue para assegurar o bom funcionamento do acionador elétrico. | |

OS BRAÇOS DE ELEVAÇÃO E A LIGAÇÃO

- Verifique todas as ferragens e pontos de fixação.
- Verifique se há curvas ou desvios.
- Verifique se as articulações aparafusadas dos braços de elevação apresentam sinais de desgaste.
- Inspeccione para assegurar que os braços de elevação estão centrados entre as pernas da base.
- Verifique se as articulações apresentam sinais de desgaste.
- Verifique se os ganchos da cesta apresentam sinais de desgaste ou desvio.

O MASTRO

- O mastro deve estar montado em segurança nos braços de elevação.
- Verifique se há curvas ou desvios.
- Verifique se as articulações apresentam sinais de desgaste.

LIMPEZA

- Sempre que necessário.

8.2 Limpar a cesta e o elevador



ADVERTÊNCIA!

– Após CADA lavagem (em conformidade com as instruções de lavagem da cesta), verifique se a cesta apresenta sinais de desgaste, rasgões e costuras soltas. Elimine **IMEDIATAMENTE** qualquer cesta de paciente que apresente um destes critérios.

Limpar a cesta

A cesta deve ser lavada com regularidade a uma temperatura da água que não ultrapasse os 95° C e com uma solução biológica. Consulte as instruções de lavagem presentes no manual de utilização da cesta.

Limpar e desinfetar o elevador

Para evitar infecções cruzadas, o guincho deve ser limpo e desinfetado após cada utilização.

Para limpar o elevador de transferência, basta utilizar um pano macio, humedecido com água e uma pequena quantidade de detergente suave. O elevador pode ser limpo com agentes de limpeza não abrasivos.

Nunca utilize ácidos, soluções alcalinas ou solventes para limpar o elevador. Seque o elevador cuidadosamente após a limpeza.

Os motores, a unidade de controlo e as peças de montagem podem ser danificados se o elevador for limpo de forma diferente da acima descrita.

O elevador deve ser limpo com um pano bem torcido e humedecido com um desinfetante doméstico comum. Utilize apenas detergentes de desinfecção aprovados pela instituição.

8.3 Reutilização

Este produto é adequado para reutilização. O número máximo de vezes que pode ser reutilizado depende da condição do produto.

Para evitar a transmissão de infecções, o elevador de paciente e as cestas devem ser limpos após cada utilização. Antes de reutilizar, consulte *8.2 Limpar a linga e o elevador, página 354*

8.4 Detetar sinais de danos e desgaste

É importante inspecionar todas as peças sob tensão, tais como as cestas, os braços de elevação e quaisquer pontos das cestas para verificar se apresentam sinais de fissuras, desfiamento, deformação ou deterioração. Substitua quaisquer peças defeituosas **IMEDIATAMENTE** e assegure que o elevador não é utilizado até as reparações estarem terminadas.

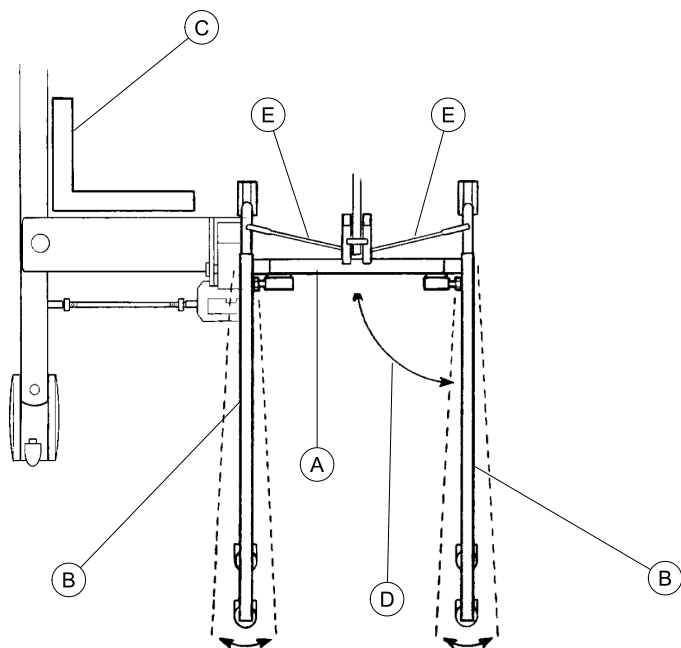
8.5 Lubrificar o elevador

O elevador da Invacare foi concebido para o mínimo de manutenção. No entanto, a lubrificação e a verificação semestrais do elevador irão assegurar a sua contínua segurança e fiabilidade.

Mantenha o elevador e as cestas limpos e em boas condições de funcionamento. Qualquer defeito deve ser registado e comunicado ao seu fornecedor logo que possível.

Os rodízios DEVEM oscilar e rodar com suavidade. Pode ser aplicado um óleo leve (auto lubrificante à prova de água) à bola de rolamento dos rodízios uma vez por ano. Aplique com maior frequência se os rodízios forem expostos a condições húmidas extremas.

8.6 Ajustar a base



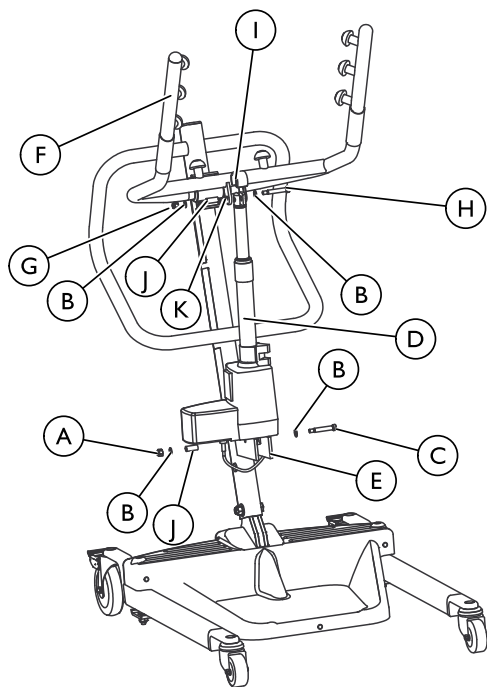
O ajuste da base (A) requer apenas o ajuste das hastes de ligação.

- ! Podem ocorrer danos no elevador.
 - As pernas devem estar na posição totalmente fechada antes de ajustar as hastes de ligação.

1. Feche completamente as pernas. Consulte a secção 4.2.1 *Fechar/Abriu as pernas manualmente*, página 332
2. Verifique a forma quadrada das pernas (B) quando estão na posição fechada.
3. Coloque um quadrado (C) no interior das pernas e da base para determinar o alinhamento de 90° (D).
4. Ajuste as hastes de ligação (E) até alcançar o alinhamento de 90°.

- ! Podem ocorrer danos no elevador.
 - NÃO ajuste as hastes de ligação se o alinhamento das pernas for inferior a 90°.

8.7 Substituir o acionador elétrico



| | |
|------------------------|--------------------|
| (A) Porca inferior | (G) Porca superior |
| (B) Anilha | (H) Parafuso |
| (C) Parafuso de gola | (I) Suporte |
| (D) Acionador elétrico | (J) Bucha |

| | |
|-----------------------------------|--|
| (E) Suporte de montagem do mastro | (K) Suporte de montagem do braço de elevação |
| (F) Braço de elevação | |

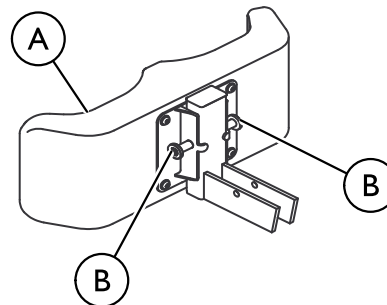


ADVERTÊNCIA!

– NÃO aperte excessivamente as ferragens de fixação. Se o fizer, irá danificar os suportes de montagem.

1. Retire a porca inferior, as anilhas, o parafuso de gola e a bucha que seguram o acionador elétrico ao suporte de montagem do mastro.
2. Coloque o braço de elevação no ombro e retire a porca superior, o parafuso, o suporte, a bucha e as anilhas do suporte de montagem do braço de elevação.
3. Substitua o acionador elétrico.
4. Execute os PASSOS 1-3 pela ordem inversa para instalar o novo acionador elétrico.

8.8 Ajustar a altura da almofada do joelho



| | |
|----------------------|-------------------|
| Ⓐ Almofada do joelho | Ⓑ Pinos de ajuste |
|----------------------|-------------------|

**ADVERTÊNCIA!**

- NUNCA ajuste a almofada do joelho enquanto o paciente estiver na posição vertical.
- NUNCA tente ajustar a almofada do joelho enquanto o elevador se mover.
- Antes de utilizar, certifique-se SEMPRE de que os pinos de ajuste estão encaixados nos orifícios de ajuste de altura correspondentes.

1. Escolha uma configuração de altura que seja confortável para o paciente e que proporcione o apoio necessário.



A almofada do joelho deve estar posicionada de modo a que o joelho esteja em contacto com a almofada.

2. Com as duas mãos, empurre os pinos de ajuste ao mesmo tempo.
3. Posicione a almofada do joelho na altura desejada e deixe que os pinos de ajuste se encaixem nos orifícios de alinhamento correspondentes.
4. Certifique-se de que os pinos estão engatados.

9 Características Técnicas

9.1 Elevador de transferência posição vertical RPS3501E e RPS3501FR

| | |
|--|---|
| Altura do gancho da cesta — MÁX | 168 cm |
| Altura do gancho da cesta — MÍN | 102 cm |
| Largura da base (aberta) | 94 cm |
| Largura da base (fechada) | 66 cm |
| Altura da base (desobstrução) | 11,5 cm |
| Comprimento da base | 90 cm |
| Altura total | 125 cm |
| Comprimento total | 99 cm |
| Largura total | 65,5 cm |
| Dimensão dos rodízios (FRONTAIS/TRASEIROS) | 8 cm/13 cm |
| Opções para a cesta | Cesta de posição vertical / Cesta de transferência posição vertical |
| Material da cesta | Poliéster |
| Limitação de peso máximo (SWL) (paciente + cesta + braços de elevação) | 159 kg (25 stone) |
| Peso máximo do paciente | 159 kg (25 stone) |
| Peso total (peso fora da embalagem) | 49 kg (8 stone) |
| Bateria (tensão de saída) | 24V DC mb máx. 240VA (RCHBL) |

| | |
|---|---|
| Entrada do carregador (tensão de alimentação) | 100-240V CA ~ 50/60 Hz |
| Saída do carregador/Tempo de carga | 29,5V DC 2,9 Ah Máx. 6 horas |
| Alarme áudio/visual de bateria baixa | Sim |
| Dispositivos de segurança de motor | Anti-armadilha |
| *Aprox. Número de elevações por carga (capacidade de funcionamento) | *100-200 ciclos por carga |
| Entrada máxima de corrente | Máx. 400 mA |
| Temperatura de funcionamento | 5° a 40° C |
| Humidade do ar | 20 % a 90 % a 30 sem condensação |
| Pressão sonora | < 50 dB |
| Pressão atmosférica | 700 a 1060 hPa |
| Temperatura de armazenamento | acima dos 0° C |
| Humidade do ar de armazenamento | inferior a 60 % |
| Pressão atmosférica de armazenamento | 700 hPa a 1060 hPa |
| Classe de proteção, unidade de controlo | IPX4 |
| Tipo de proteção, comando | IPX4 |
| Grau de proteção, motor | IPX4 |
| Classe de isolamento | Equipamento de Classe II, peças aplicadas do tipo B |
| Intermitências | 10 %, máx. 2 minutos/18 minutos |
| Capacidade da bateria | 2,9 Ah |
| Abaixamento de emergência manual | Sim |

| | |
|---|--|
| Abaixamento/levantamento de emergência elétrico | Sim/Sim |
| Tempo de vida previsto | 8 anos |
| Velocidade de condução | O elevador ultrapassa a “velocidade de levantamento e abaixamento” indicada no ENISO10535 (< 0,15 m/s sob carga máxima e < 0,25 m/s sem carga) |



* Varia conforme o peso e o impulso.

Belgium & Luxemburg:

Invacare nv
Autobaan 22
B-8210 Loppem
Tel: (32) (0)50 83 10 10
Fax: (32) (0)50 83 10 11
belgium@invacare.com
www.invacare.be

España:

Invacare SA
c/Areny s/n, Poligon Industrial de Celrà
E-17460 Celrà (Girona)
Tel: (34) (0)972 49 32 00
Fax: (34) (0)972 49 32 20
contactsp@invacare.com
www.invacare.es

Nederland:

Invacare BV
Galvanistraat 14-3
NL-6716 AE Ede
Tel: (31) (0)318 695 757
Fax: (31) (0)318 695 758
nederland@invacare.com
www.invacare.nl

Suomi:

Camp Mobility
Patamäenkatu 5, 33900 Tampere
Puhelin 09-35076310
info@campmobility.fi
www.campmobility.fi

Danmark:

Invacare A/S
Sdr. Ringvej 37
DK-2605 Brøndby
Tel: (45) (0)36 90 00 00
Fax: (45) (0)36 90 00 01
denmark@invacare.com
www.invacare.dk

France:

Invacare Poirier SAS
Route de St Roch
F-37230 Fondettes
Tel: (33) (0)2 47 62 64 66
Fax: (33) (0)2 47 42 12 24
contactfr@invacare.com
www.invacare.fr

Norge:

Invacare AS
Grensesvingen 9, Postboks 6230,
Etterstad
N-0603 Oslo
Tel: (47) (0)22 57 95 00
Fax: (47) (0)22 57 95 01
norway@invacare.com
www.invacare.no

Sverige:

Invacare AB
Fagerstagatan 9
S-163 53 Spånga
Tel: (46) (0)8 761 70 90
Fax: (46) (0)8 761 81 08
sweden@invacare.com
www.invacare.se

Deutschland:

Invacare GmbH,
Alemannenstraße 10
D-88316 Isny
Tel: (49) (0)7562 700 0
Fax: (49) (0)7562 700 66
kontakt@invacare.com
www.invacare.de

Ireland:

Invacare Ireland Ltd,
Unit 5 Seatown Business Campus
Seatown Road, Swords, County Dublin
Tel : (353) 1 810 7084
Fax: (353) 1 810 7085
ireland@invacare.com
www.invacare.ie

Österreich:

Invacare Austria GmbH
Herzog Odilostrasse 101
A-5310 Mondsee
Tel: (43) 6232 5535 0
Fax: (43) 6232 5535 4
info-austria@invacare.com
www.invacare.at

Schweiz / Suisse / Svizzera:

Invacare AG
Benkenstrasse 260
CH-4108 Witterswil
Tel: (41) (0)61 487 70 80
Fax: (41) (0)61 487 70 81
switzerland@invacare.com
www.invacare.ch

Eastern Europe, Middle East & CIS:

Invacare EU Export
Kleiststraße 49
D-32457 Porta Westfalica / Germany
Tel: (49) (0)57 31 754 540
Fax: (49) (0)57 31 754 541
webinfo-eu-export@invacare.com
www.invacare-eu-export.com

Italia:

Invacare Mecc San s.r.l.,
Via dei Pini 62,
I-36016 Thiene (VI)
Tel: (39) 0445 38 00 59
Fax: (39) 0445 38 00 34
italia@invacare.com
www.invacare.it

Portugal:

Invacare Lda
Rua Estrada Velha, 949
P-4465-784 Leça do Balio
Tel: (351) (0)225 1059 46/47
Fax: (351) (0)225 1057 39
portugal@invacare.com
www.invacare.pt

United Kingdom:

Invacare Limited
Pencoed Technology Park, Pencoed
Bridgend CF35 5AQ
Tel: (44) (0) 1656 776 222
Fax: (44) (0) 1656 776 220
uk@invacare.com
www.invacare.co.uk



Invacare Portugal, Lda
Rua Estrada Velha 949
4465-784 Leça do Balio
Portugal

1078985-I 2017-11-29



Making Life's Experiences Possible®



Yes, you can.®