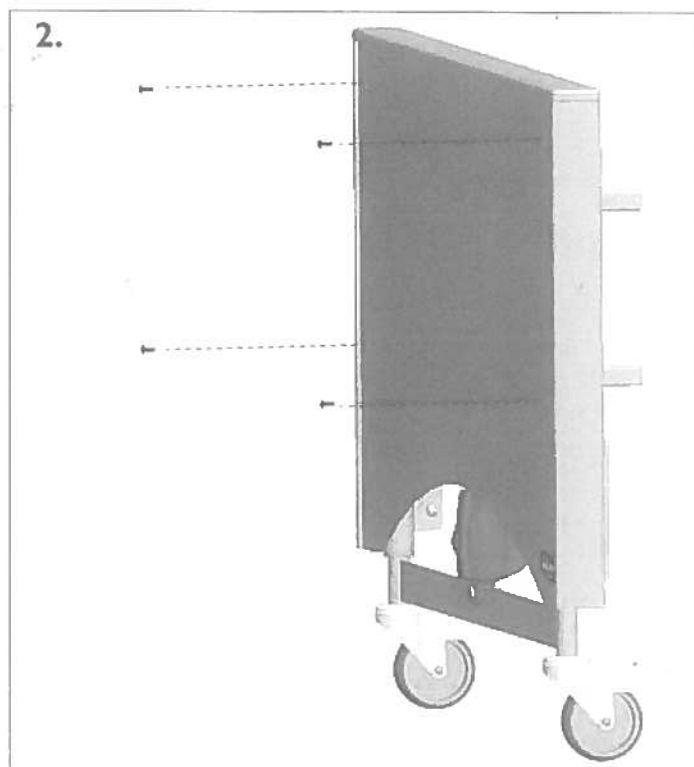
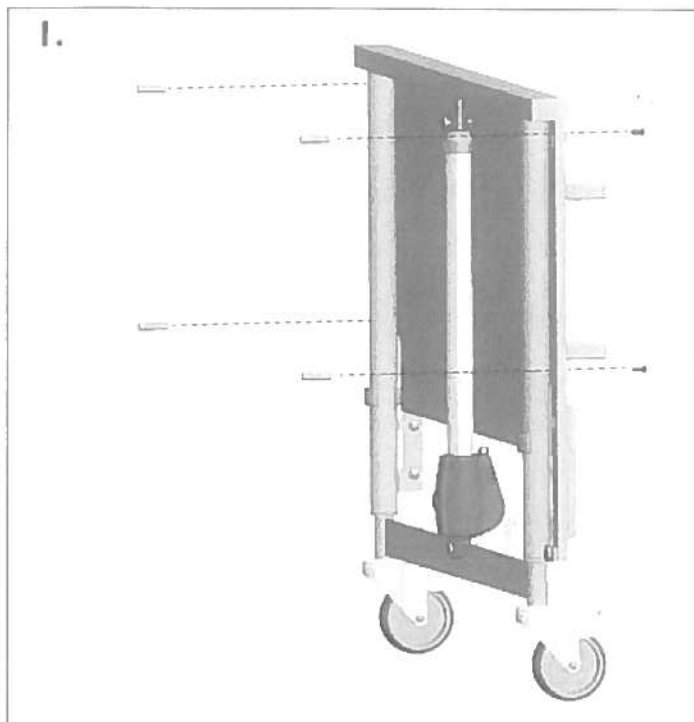
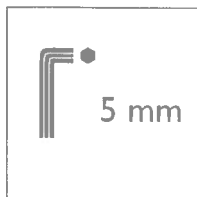


# Mounting Instruction

Invacare® Medley Ergo  
Select cover



The procedures in this manual MUST be performed by a qualified technician.

1514614-02 2014-10-10



Invacare Portugal Lda  
Rua Estrada Velha 949  
4465-784 Leça do Balio, Portugal



Yes, you can: