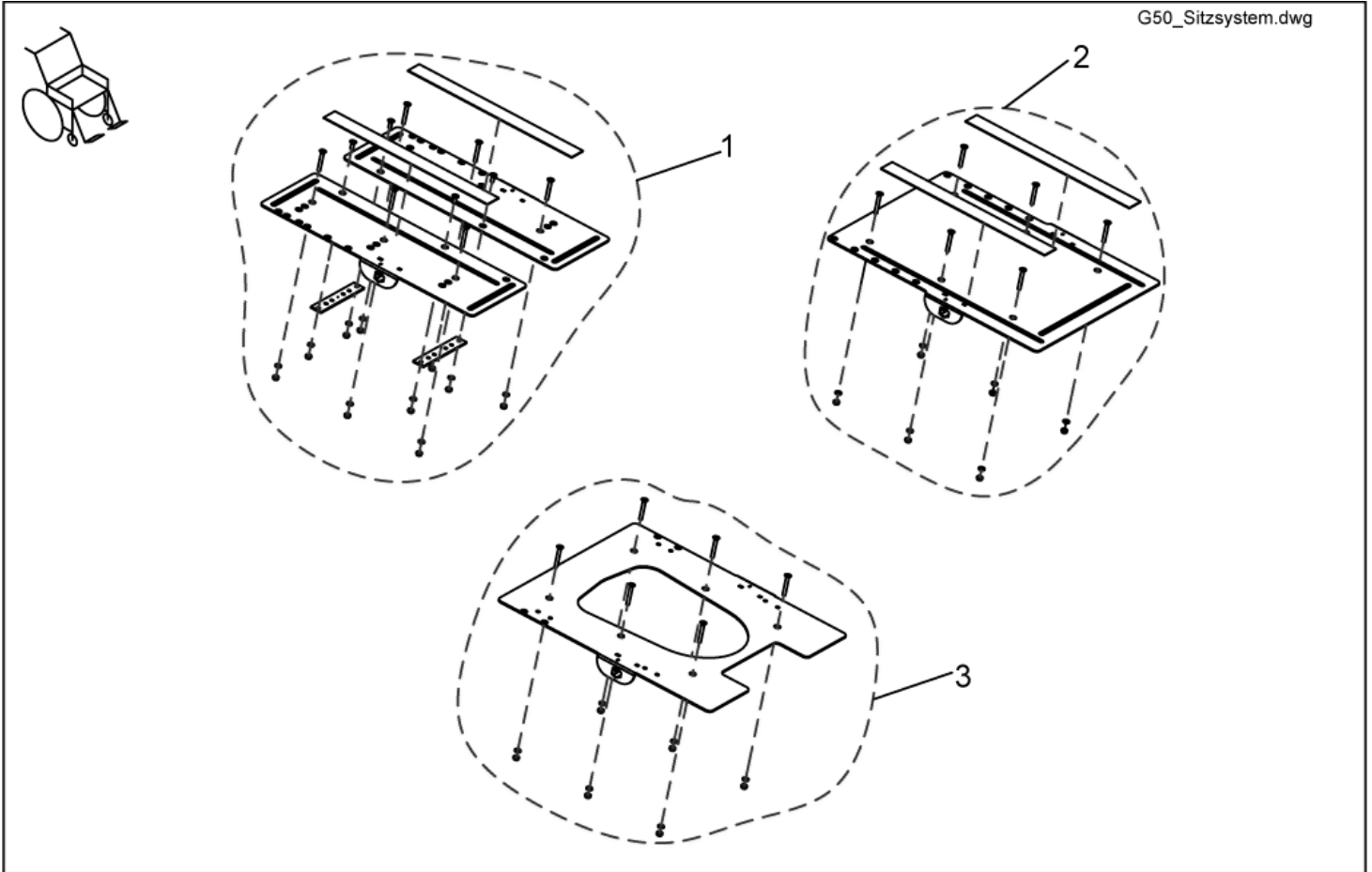


Seat support / sheet metal

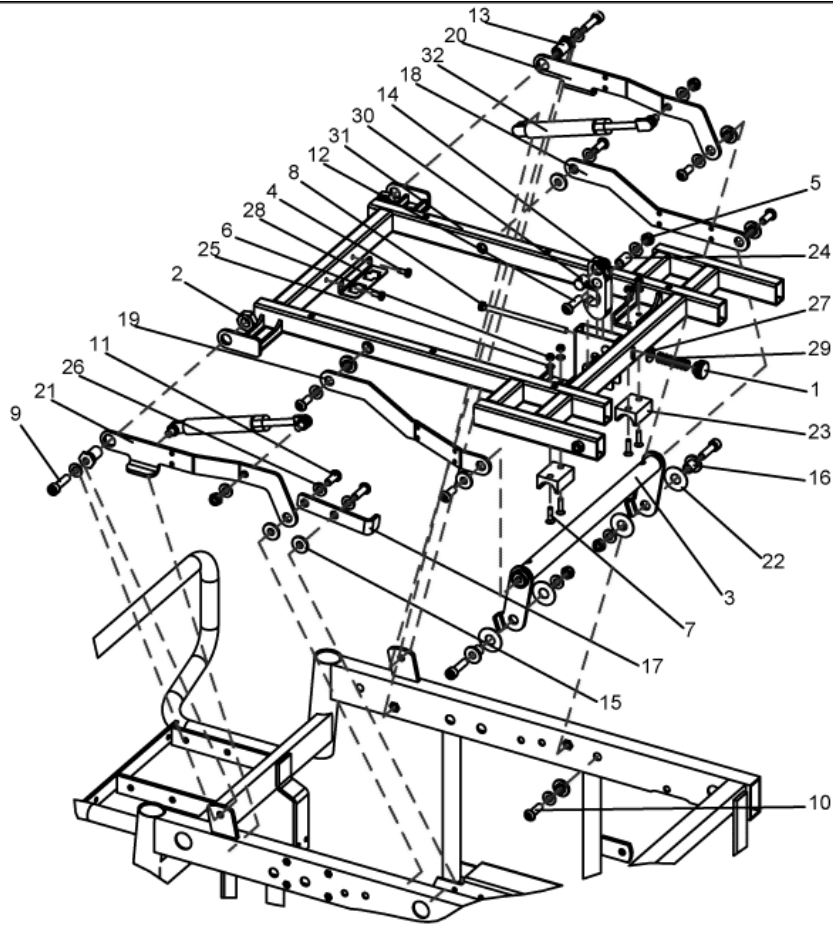
G50_Sitzsystem.dwg



item	ordercode	description	quantity
1	SP1478403	SEAT PLATE DEVIDED SEAT WIDTH 39cm (FIRMLY LEGRESTS)	1
1	SP1451760	SEAT PLATE DEVIDED SEAT WIDTH 43cm (FIRMLY LEGRESTS)	1
1	SP1451761	SEAT PLATE DEVIDED SEAT WIDTH 48cm (FIRMLY LEGRESTS)	1
1	SP1436517	SEAT PLATE DEVIDED SEAT WIDTH 39cm (FIRMLY LEGRESTS)	1
1	SP1436515	SEAT PLATE DEVIDED SEAT WIDTH 43cm (FIRMLY LEGRESTS)	1
1	SP1436516	SEAT PLATE DEVIDED SEAT WIDTH 48cm (FIRMLY LEGRESTS)	1
2	SP1451759	SEAT PLATE, CPL. STANDARD (FIRMLY LEGRESTS)	1
2	SP1436514	SEAT PLATE, CPL. STANDARD (ELECTRICALLY LEGRESTS)	1
3	SP1451071	SEAT PLATE, CPL. FOR RECARO-SEAT (FIRMLY LEGRESTS)	1
3	SP1436518	SEAT PLATE, CPL. FOR RECARO-SEAT (ELECTRICALLY LEGRESTS)	1
-	U21087	CUSHION FIXING STRIP - VELCRO FASTENER (HOOKED) 38 X 400	2
-	P31298	REFLECTOR, YELLOW	2

Slewing mechanism, for firm leg supports

1487874.dwg

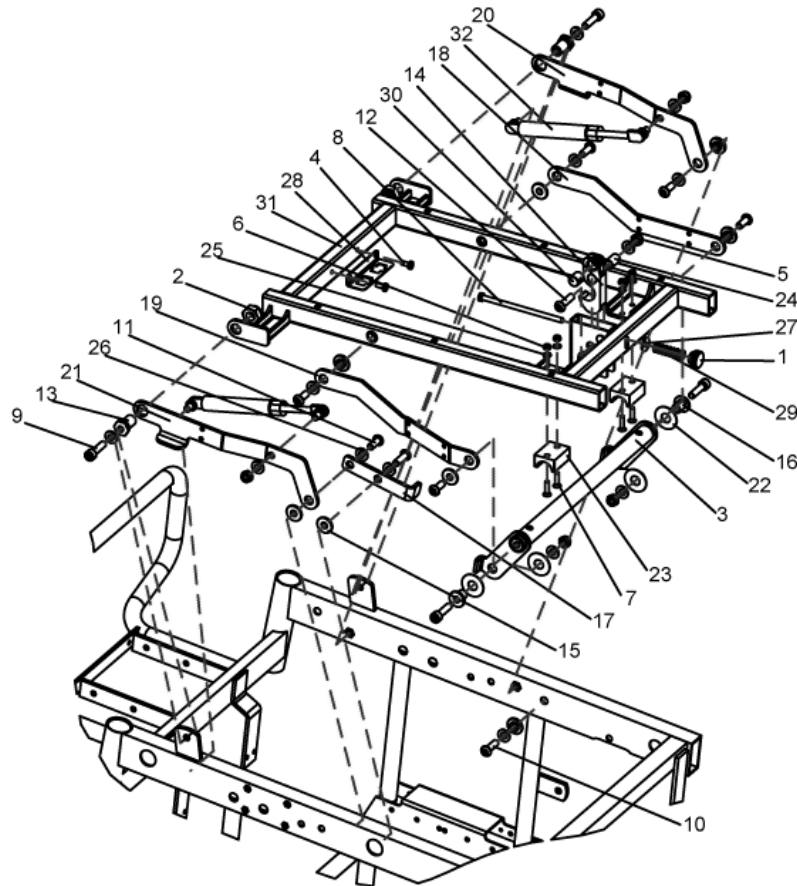


item	ordercode	description	quantity
-	SP1487874	FOLDING MECHANISM, CPL.	1
1	1488572	SCREW GN 530 M6	1
2	NA	NUT M14 DIN 985	2
3	NA	TILT LINKAGE, TURNABLE	1
4	NA	BOLT M5 X 12 DIN 7500	2
5	NA	NYLOC NUT M8	5
6	NA	NYLOC NUT M5	4
7	NA	SCREW M5*20 DIN 7991	4
8	NA	SCREW M6*120 DIN 933	1
9	NA	SOCKET HEAD CAP SCREW M8 X 30	4
10	NA	SCREW M8 X 25	2
11	NA	SCREW M8 X 20	6
12	NA	SCREW M8*30 ISO 7380	1
13	NA	CASE	2
14	NA	ENGAGING HOOK	1
15	NA	FLOATING BUSHING	8
16	NA	FLOATING BUSHING 2 TILT	2
17	NA	STOPPER SHEET METAL	1
18	NA	SHEET METAL LATCH, HINGED LH	1
19	NA	SHEET METAL LATCH, HINGED RH	1
20	NA	SHEET METAL LATCH, HINGED LH	1
21	NA	SHEET METAL LATCH, HINGED RH	1
22	NA	PLASTIC DISK	4
23	1492456	SPACER	2
24	NA	SPACER SLEEVE 12x1.8x20	1
25	NA	WASHER 5.3 DIN 125	4
26	NA	WASHER DIN 125-8,4	13

item	ordercode	description	quantity
27	NA	WASHER DIN 9021-6,4	1
28	NA	ATTACHMENT SHEET METAL	1
29	1449599	SPRING LEGRESTS	1
30	NA	PIVOT REST HOOK	1
31	NA	SEAT SUPPORT STANDARD FOR FIRMLY LEGRESTS	1
32	1488567	STABILUS Lift-O-Mat 1515DW-200N	2

Slewing mechanism, for turnable leg supports

1451473.dwg

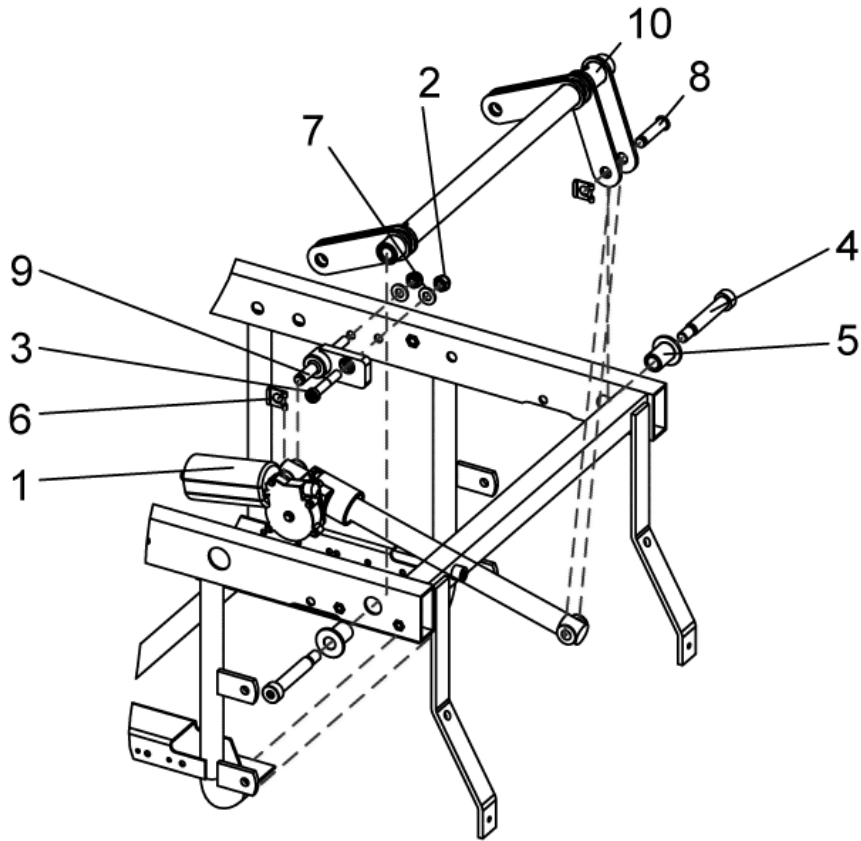


item	ordercode	description	quantity
-	SP1451473	SLEWING MECHANISM STANDARD, CPL.	1
1	1488572	SCREW GN 530 M6	1
2	NA	NUT M14 DIN 985	2
3	NA	TILT LINKAGE, TURNABLE	1
4	NA	SCREW M5*12 DIN 7500 Torx	2
5	NA	NUT M8-8 DIN 985	5
6	NA	NUT M5 DIN 985	4
7	NA	SCREW M5*20 DIN 7991	4
8	NA	SCREW M6*120 DIN 933	1
9	NA	SCREW M8*30 DIN 912	4
10	NA	SCREW ISO 7380-M8*25-10.9	2
11	NA	SCREW M8*20 DIN 7380	6
12	NA	SCREW M8*30 ISO 7380	1
13	NA	SPACER	2
14	NA	ENGAGING HOOK	1
15	NA	FLOAT BUSH	8
16	NA	FLOAT BUSH, TILT	2
17	NA	STOPPER SHEET METAL	1
18	NA	SHEET METAL LATCH, HINGED LH	1
19	NA	SHEET METAL LATCH, HINGED RH	1
20	NA	SHEET METAL LATCH, HINGED LH	1
21	NA	SHEET METAL LATCH, HINGED RH	1
22	NA	WASHER 13x32x1	4
23	1492456	BUSH	2
24	NA	SPACER BUSH 12x1.8x20	1
25	NA	WASHER 5.3 DIN 125	4
26	NA	WASHER DIN 125-8,4	13

item	ordercode	description	quantity
27	NA	WASHER DIN 9021-6,4	1
28	NA	ATTACHMENT SHEET METAL	1
29	1449599	SPRING LEGRESTS	1
30	NA	PIVOT REST HOOK	1
31	NA	SEAT SUPPORT VARI FOR TURNABLE LEGRESTS	1
32	1488567	STABILUS Lift-O-Mat 1515DW-200N	2

Seat tilt electrically

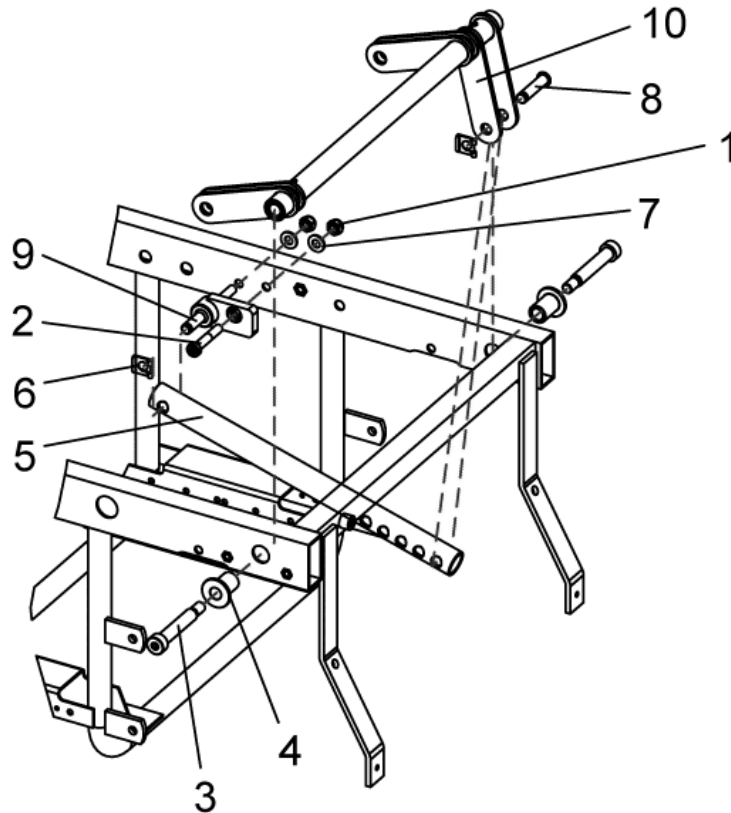
1478495.dwg



item	ordercode	description	quantity
-	SP1478495	SEAT TILT ELECTRICALLY G50, CPL.	1
2,3,6,7,8,9	1478495	ASSEMBLY KIT G50, SEAT TILT ELECTRICALLY / FIRMLY	1
1	1489048	ACTUATOR RE 25.4.100.24 BUK 184 (155°) G50	1
2	NA	NYLOC NUT M8 DIN 985	2
3	NA	M8X20 ALLEN SCREW DIN 69 (LOW HEAD)	1
4	NA	FITTED SCREW M10x60	2
5	NA	FLOATING BUSHING 1 TILT G50	2
6	NA	SL-LOCKING WASHER 10 MM	2
7	NA	WASHER 8, 4x17x1, 6	2
8	NA	SECURING BOLT 44.5 MM	1
9	NA	ACTUATOR ADMISSION, CPL.	1
10	NA	TILT ROD, CPL.	1

Seat tilt firmly

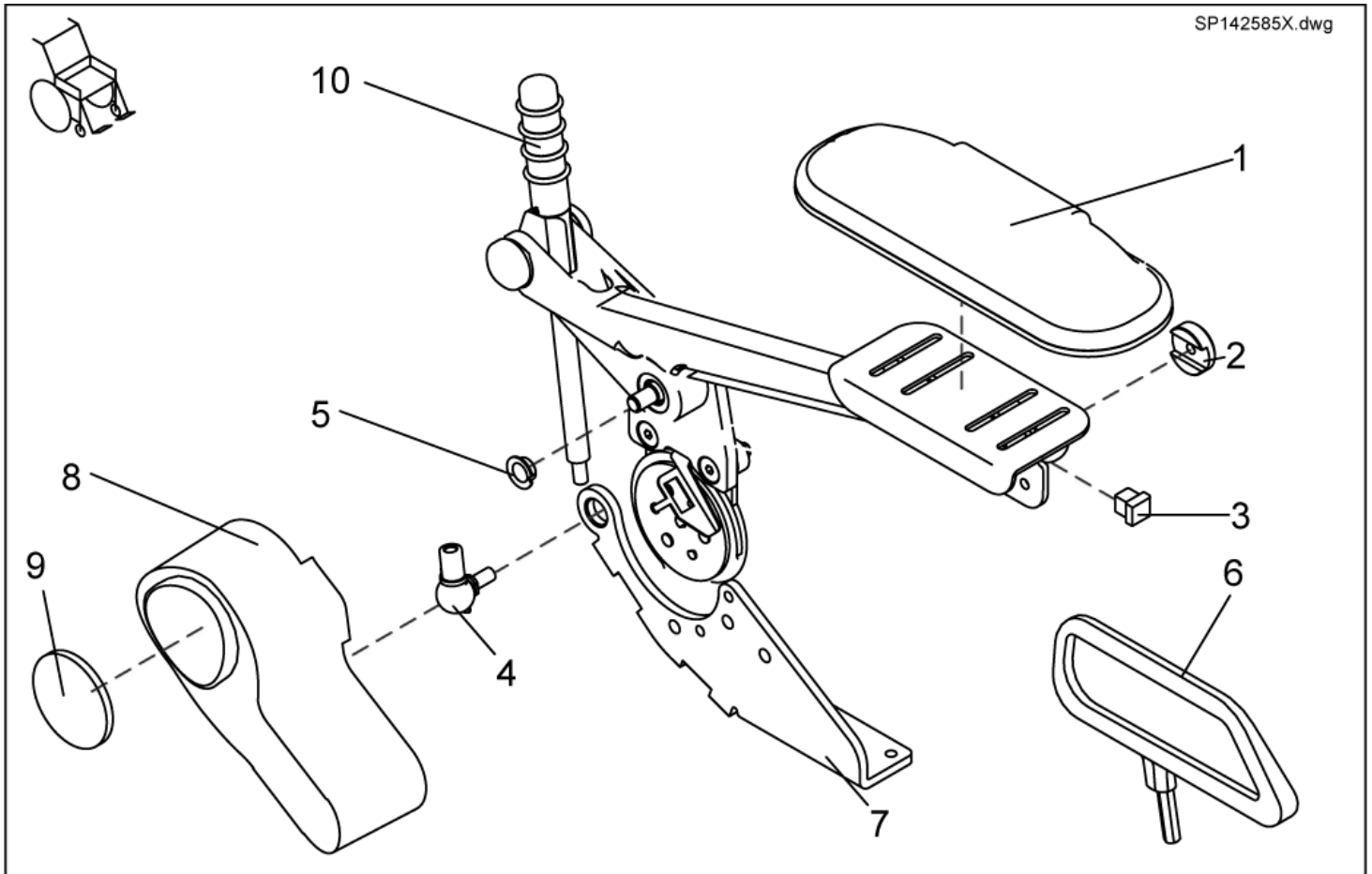
1451016.dwg



item	ordercode	description	quantity
-	SP1451016	SITZTILT FIRMLY G50, CPL.	1
1,2,6,7,8,9,	1478434	ASSEMBLY KIT G50, SITZTILT ELECTRICALLY / FIRMLY	1
1	NA	NYLOC NUT M8 DIN 985	2
2	NA	MACHINE SCREW WITH ALLEN KEY HEAD M8 X 20	1
3	NA	SL-LOCKING WASHER 10 MM	2
4	NA	WASHER 8,4 X 17 X 1,6	2
5	1451375-0002	SECURING BOLT 44.5 MM	1
6	NA	LOCK WASHER 10mm	2
7	NA	WASHER, 4x17x1, 6	2
8	NA	LOCKING BOLT, 5mm	1
9	NA	ACTUATOR ADMISSION, CPL. / G50	1
10	NA	TILT LINKAGE, CPL. / G50	1

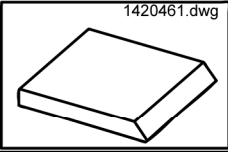
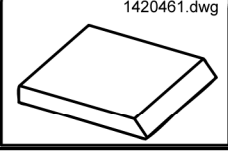
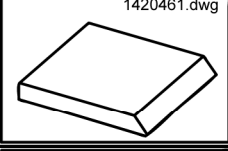

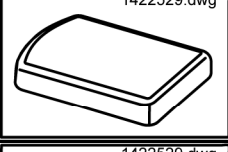
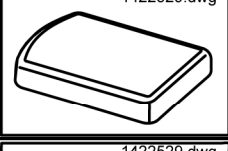
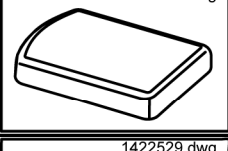
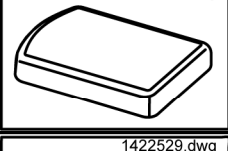
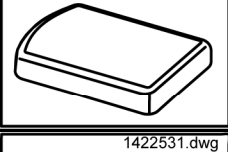

Running along arm rest

SP142585X.dwg













item	ordercode	description	quantity
-	SP1425853	KIT SLIDING ARMRESTS PAIR MANUAL	1
-	SP1425859	KIT SLIDING ARMRESTS PAIR, F. EL. BACKREST ADJUSTMENT	1
1,2,3,4,5	SP5314641	SLIDING ARMREST LH CPL.	1
1,2,3,4,5	SP5311680	SLIDING ARMREST RH CPL.	1
1	5311680	ARMREST UPHOLSTERY 260 MM	1
1	5314641	ARMREST UPHOLSTERY 320 MM	1
2	1421657-0003	RETAINING WASHER BLACK GALVANISED	4
3	L01055	TUBE END PLUG E 15 X 15	1
4	N04109	SWIVEL JOINT AS 13-M8 RH	2
5	N02194	BUSH BB 1209 DU	8
6	SP1436540	CLOTHING PROTECTOR PAIR SLIDING ARMREST SB=39CM	1
6	SP1436539	CLOTHING PROTECTOR PAIR SLIDING ARMREST SB>39CM	1
7	1429564-9005	FITTING ATTACHMENT LH F. SLIDING ARMREST	1
7	1429563-9005	FITTING ATTACHMENT RH F. MANUAL ADJUSTMENT	1
8	1428057	MOTOR CAP FOR ELECTRIC BACKREST	1
9	1420482	REFLECTOR	1
10	SP1451392	ASSEMBLY KIT, GUIDE ROD	1

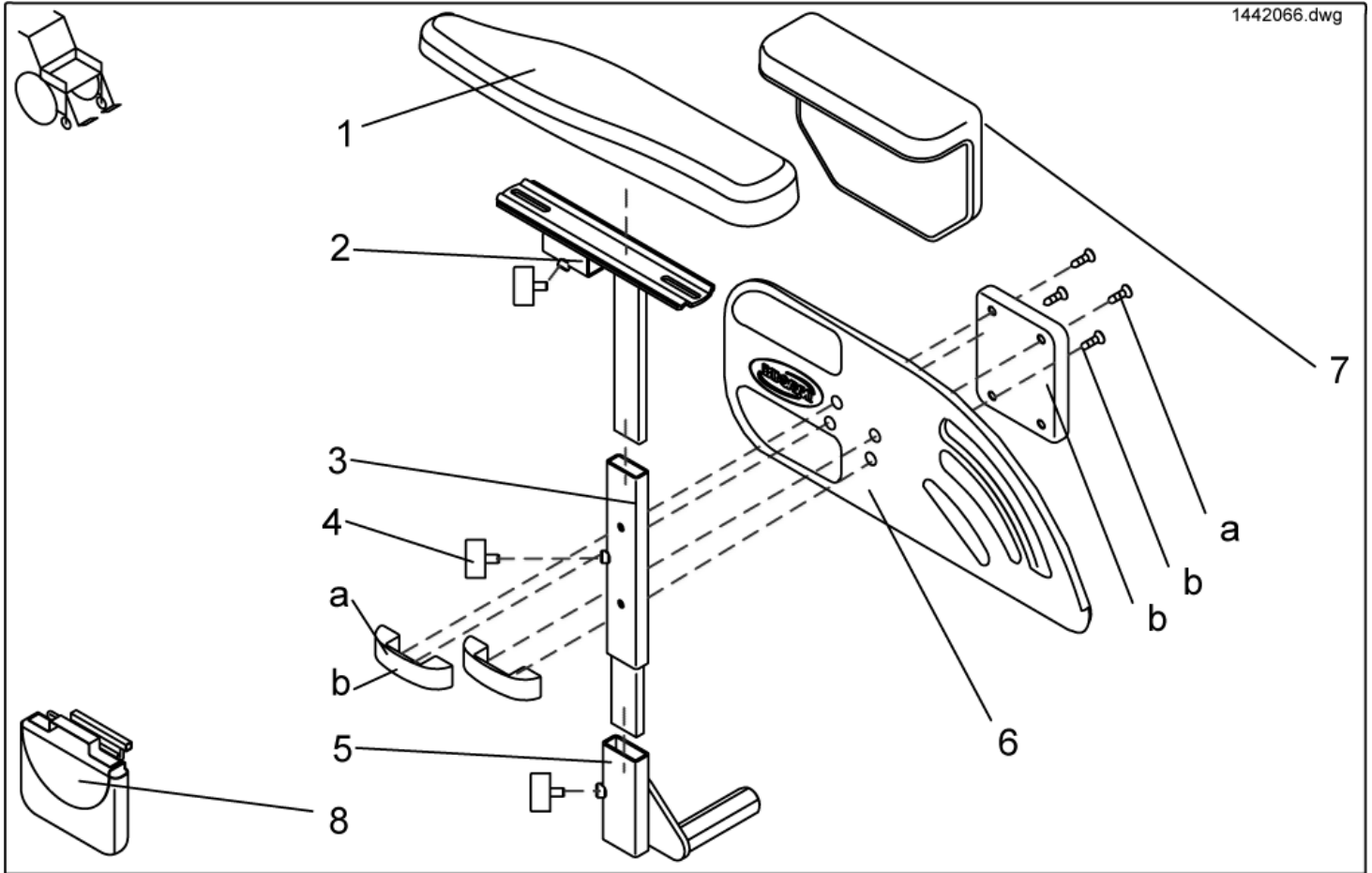
Cushion

Picture	Seat system	Seat width cm	Seat depth cm	color	ordercode
 1420461.dwg	Standard	n.a.	41	black	1420460
 1420461.dwg	Standard	n.a.	46	black	1420461
 1420461.dwg	Standard	n.a.	51	black	1420462
 1422529.dwg	Flex	39	n.a.	blue	1422529
 1422529.dwg	Flex	39	n.a.	black	1436561
 1422529.dwg	Flex	41	n.a.	blue	1422530
 1422529.dwg	Flex	41	n.a.	black	1436562
 1422529.dwg	Flex	48	n.a.	blue	1422532
 1422529.dwg	Flex	48	n.a.	black	1436563
 1422531.dwg	Flex Vic Air	43	n.a.	VicAir	1422531

Backrest Upholstery

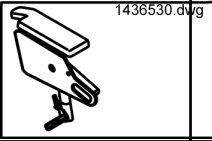

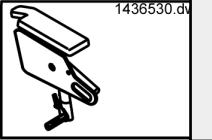
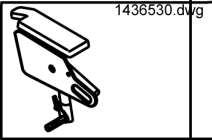


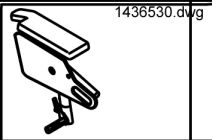


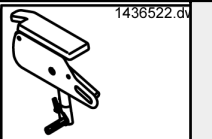
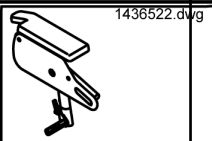

Picture	Seat system	Seat width cm	color	ordercode
 1422534.dwg	Flex	39	blue	1422534
 1422534.dwg	Flex	39	Dartex grey	5252506-TR23
 1422534.dwg	Flex	39	black	1436564
 1422534.dwg	Flex	43	blue	1422535
 1422534.dwg	Flex	43	Vinyl grey	5252507-TR04
 1422534.dwg	Flex	43	black	1436565
 1422534.dwg	Flex	48	blue	1422536
 1422534.dwg	Flex	48	Dartex grey	5252508-TR23
 1422534.dwg	Flex	48	black	1436566
 1422537.dwg	Flex Vic Air	43	VicAir	1422537

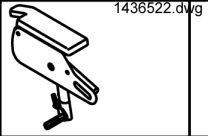

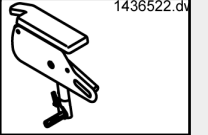

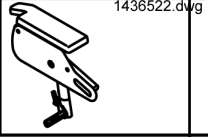
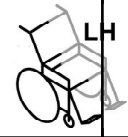
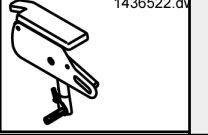

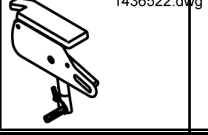
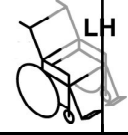
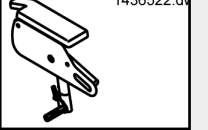

Side parts



item	ordercode	description	quantity
1,2,3,4,5,6,a	SP1442016	SIDEREST LH CPL.	1
1,2,3,4,5,6,a	SP1442017	SIDEREST RH CPL.	1
2,4,5,7,b	SP1448753	SIDE PARTS SOFT, LEFT, CPL.	1
2,3,4,5,7,b	SP1448754	SIDE PARTS SOFT, RIGHT CPL.	1
1	1442618	ARMREST PAD - LH CPL.	1
1	1442619	ARMREST PAD - RH CPL.	1
2	1442020-9005	ARM PAD RECEPTACLE LH	1
2	1442021-9005	ARM PAD RECEPTACLE RH	1
3	1442015-9005	SIDE PART ADJUSTMENT LH	1
3	1442012-9005	SIDE PART ADJUSTMENT RH	1
4	L10024	WING SCREW M6 X 16	3
5	1442024-9005	ARMREST SUPPORT TUBE LH	1
5	1442025-9005	ARMREST SUPPORT TUBE RH	1
6	1433291	SIDE PART PLATE LH CPL.	1
6	1433292	SIDE PART PLATE RH CPL.	1
7	1450100	ARM REST PAD, SOFT, LEFT WITH ASSEMBLY KIT	1
7	1450102	ARM REST PAD, SOFT, RIGHT WITH ASSEMBLY KIT	1
a	1450296	FIXING KIT SIDE PART PLATE	2
b	1450095	ASSEMBLY KIT, SIDE PART PLATE, SOFT	2
8	SP1430417	BAG FOR SIDE PANEL LH CPL.	1
8	SP1430416	BAG FOR SIDE PANEL RH CPL.	1

Standard of side parts completely, for low seat level

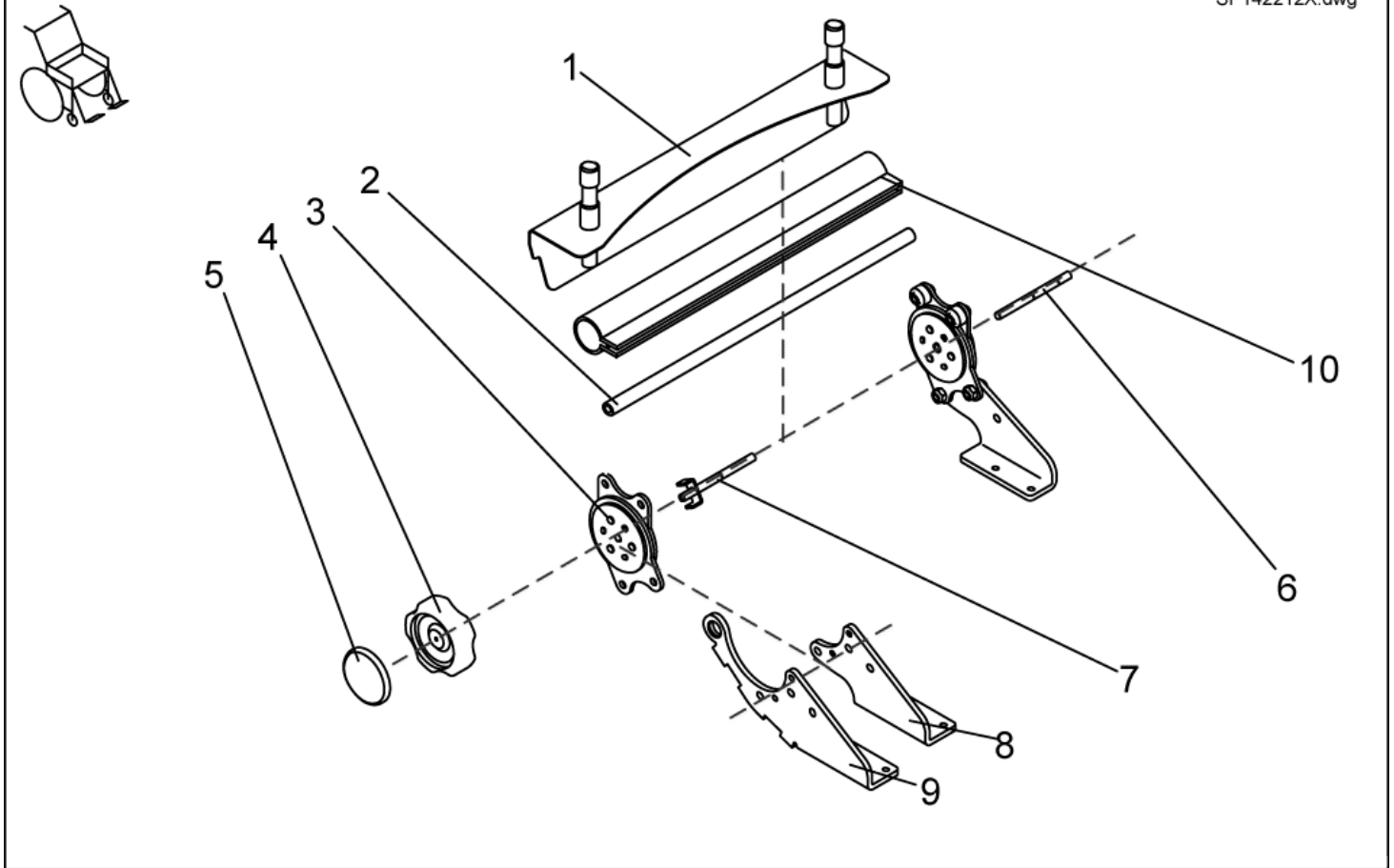
Picture	Seat system	Seat depth cm	Height cm	Seat width cm	left/ right	ordercode
	Flex	41	34	39	LH 	SP1436534
	Flex	41	34	39	RH 	SP1436533
	Standard/Kontur/Flex	41	34	39...	LH 	SP1436530
	Standard/Kontur/Fle	41	34	39...	RH 	SP1436529
	Flex	41	38	39	LH 	SP1436536
	Flex	41	38	39	RH 	SP1436535
	Standard/Kontur/Flex	41	38	39...	LH 	SP1436532
	Standard/Kontur/Fle	41	38	39...	RH 	SP1436531
	Flex	41...	34	39	LH 	SP1436526
	Flex	41...	34	39	RH 	SP1436525
	Standard/Kontur/Flex	41...	34	39...	LH 	SP1436522
	Standard/Kontur/Fle	41...	34	39...	RH 	SP1436521

Picture	Seat system	Seat depth	Height	Seat width	left/ right	ordercode
		cm	cm	cm		
	Flex	41...	38	39		SP1436528
	Flex	41...	38	39		SP1436527
	Standard/Kontur/Flex	41...	38	39...		SP1436524
	Standard/Kontur/Fle	41...	38	39...		SP1436523
	RECARO	n.a.	38	n.a.		SP1436538
	RECARO	n.a.	38	n.a.		SP1436537

- ✓ **Information:** The height of the side parts is settable. Preset is 34cm or 38cm.
- Parts with **34cm** are settable between **30cm and 40cm**.
 - Parts with **38cm** are settable between **34cm and 44cm**.

Back adjustment Flex/Kontur manually

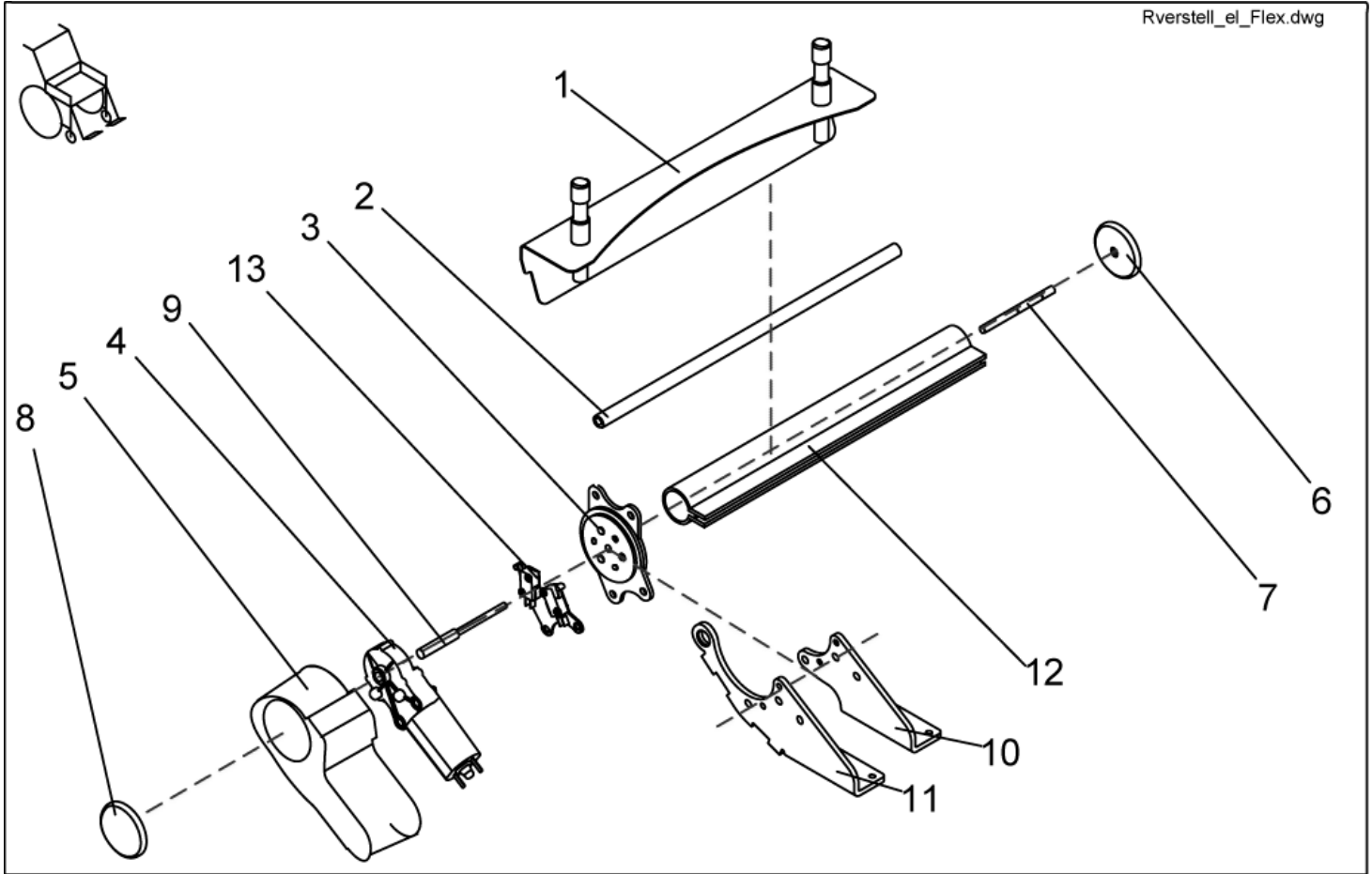
SP142212X.dwg



item	ordercode	description	quantity
-	SP1422122	MANUAL BACKREST ADJUSTMENT F. FLEX SB 39 CPL.	1
-	SP1422066	MANUAL BACKREST ADJUSTMENT SB 43 CPL.	1
-	SP1422067	MANUAL BACKREST ADJUSTMENT SB 48 CPL.	1
-	SP1425857	Manual BACK ADJUSTER, SEAT WIDTH 39CM, FOR SLIDING ARMRESTS, cpl.	1
-	1442942	Manual BACK ADJUSTER, SEAT WIDTH 43cm, FOR SLIDING ARMRESTS, cpl.	1
-	SP1425854	Manual BACK ADJUSTER, SEAT WIDTH 48cm, FOR SLIDING ARMRESTS, cpl.	1
-	SP1423210	BACKREST ADJUSTMENT ASSEMBLY KIT, CPL.	1
1	1422119-9005	BACKREST RECEPTACLE 390 MM	1
1	1419992-9005	BACKREST RECEPTACLE 430 MM	1
1	1422112-9005	BACKREST RECEPTACLE 480 MM	1
2	1420489	CONNECTING TUBE 380 MM	1
2	1420490	CONNECTING TUBE 430 MM	1
2	1420491	CONNECTING TUBE 480 MM	1
3	SP1450234	SEAT BRACE (1 PAIR)	1
4	1420483	HAND WHEEL	1
5	1421696	PERFORATED REFLECTOR; YELLOW	2
6	1420488-0002	SUPPORT SHAFT	1
7	1421713-0002	HAND WHEEL SHAFT	1
8	1420477-9005	BRACE RECEPTACLE manual/electrical LH	1
8	1420476-9005	BRACE RECEPTACLE manual RH	1
9	1429564-9005	FITTING ATTACHMENT LH F. SLIDING ARMREST	1
9	1429563-9005	FITTING ATTACHMENT RH F. MANUAL ADJUSTMENT	1
10	1442577	PROTECTIVE COVERING 380MM	1
10	1442578	PROTECTIVE COVERING 430MM	1
10	1442577	PROTECTIVE COVERING 480MM	1

Back adjustment Flex/Kontur electrically

Rverstell_el_Flex.dwg

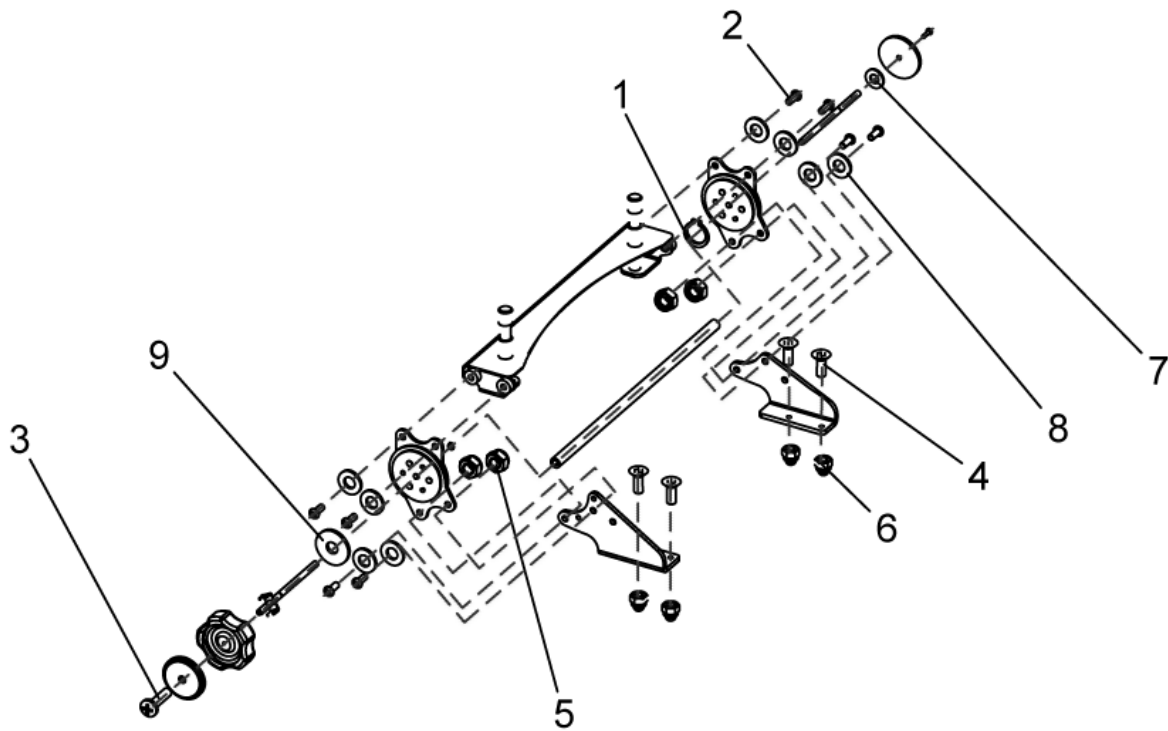


item	ordercode	description	quantity
-	SP1440407	ELECTRICAL BACK ADJUSTER, SEAT WIDTH 39CM, CPL.	1
-	SP1440405	ELECTRICAL BACK ADJUSTER, SEAT WIDTH 43CM, CPL.	1
-	SP1440406	ELECTRICAL BACK ADJUSTER, SEAT WIDTH 48CM, CPL.	1
-	SP1440410	ELECTRICAL BACK ADJUSTER, SEAT WIDTH 39CM, FOR SLIDING ARMRESTS, CPL.	1
-	SP1440408	ELECTRICAL BACK ADJUSTER, SEAT WIDTH 43CM, FOR SLIDING ARMRESTS, CPL.	1
-	SP1440409	ELECTRICAL BACK ADJUSTER, SEAT WIDTH 48CM, FOR SLIDING ARMRESTS, CPL.	1
-	SP1423210	BACKREST ADJUSTMENT ASSEMBLY KIT, CPL.	1
1	1422119-9005	BACKREST RECEPTACLE 390 MM	1
1	1419992-9005	BACKREST RECEPTACLE 430 MM	1
1	1422112-9005	BACKREST RECEPTACLE 480 MM	1
2	1420489	CONNECTING TUBE 380 MM	1
2	1420490	CONNECTING TUBE 430 MM	1
2	1420491	CONNECTING TUBE 480 MM	1
3	SP1423211	SEAT BRACE (1 PAIR)	1
4	1420475	GEAR MOTOR GMPG	1
5	1420998	MOTOR CAP	1
6	1421696	PERFORATED REFLECTOR; YELLOW	2
7	1420488-0002	SUPPORT SHAFT	1
8	1420482	REFLECTOR	1
9	1420487-0002	MOTOR SHAFT	1
10	1420477-9005	BRACE RECEPTACLE manual/electrical LH	1
10	1421708-9005	BRACE RECEPTACLE electrical, RH	1
11	1429564-9005	FITTING ATTACHMENT LH F. SLIDING ARMREST	1
11	1429563-9005	FITTING ATTACHMENT RH F. MANUAL ADJUSTMENT	1
12	1442577	PROTECTIVE COVERING 380MM	1
12	1442578	PROTECTIVE COVERING 430MM	1
12	1442579	PROTECTIVE COVERING 480MM	1

item	ordercode	description	quantity
13	SP1440711	TWO MICRO SWITCHES WITH ASSEMBLY SHEET METAL, PRE-MOUNTS	1

Assembly Kit Of Back Adjustment

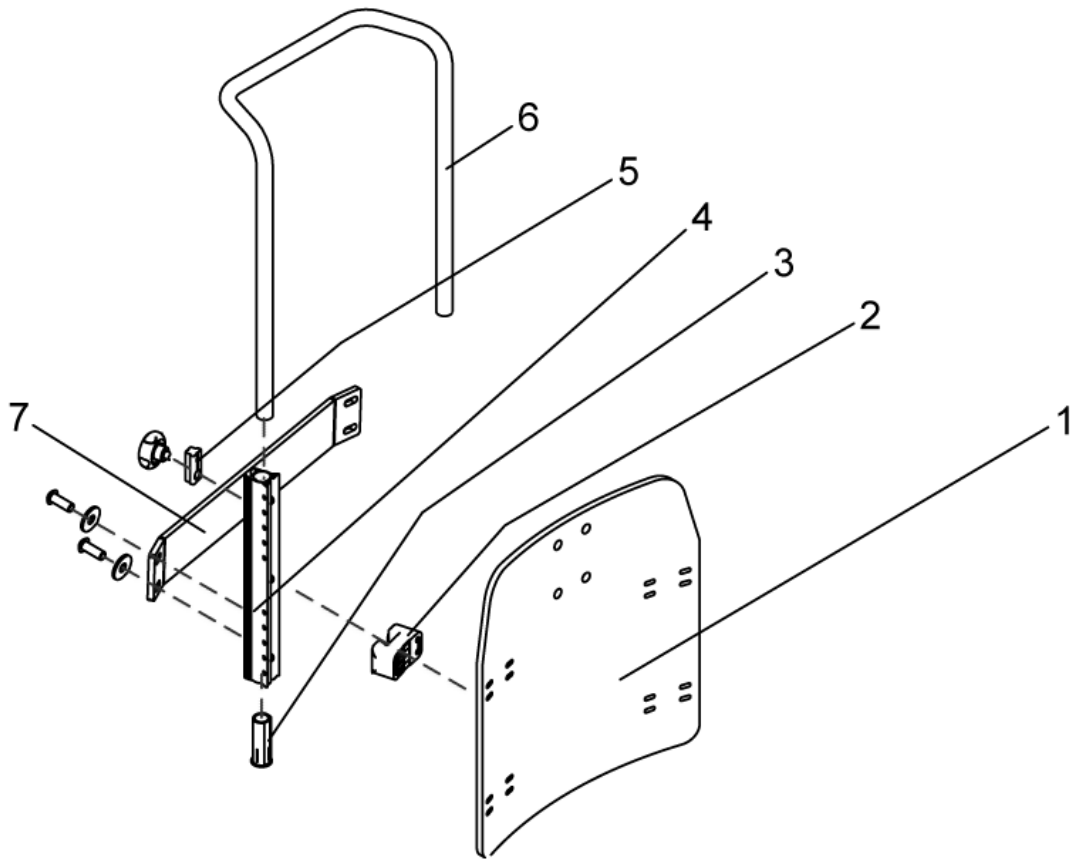
SP1423210.dwg



item	ordercode	description	quantity
-	SP1423210	BACKREST ADJUSTMENT ASSEMBLY KIT, CPL.	1
1	NA	RETAINING RING	2
2	NA	SCREW M8 X 20	8
3	NA	CROSS HEAD SCREW M4 X 16	2
4	NA	COUNTERSUNK SOCKET HEAD SCREW M6 X 16	4
5	NA	NYLOC NUT M8	4
6	NA	DOMED NYLOC NUT M6, SELF-LOCKING	4
7	NA	WASHER 4,3 X 9 X 0,8	1
8	NA	WASHER 8,4 X 17 X 1,6	11
9	NA	WASHER 8,4 X 25 X 2	1

Back adjustment Flex

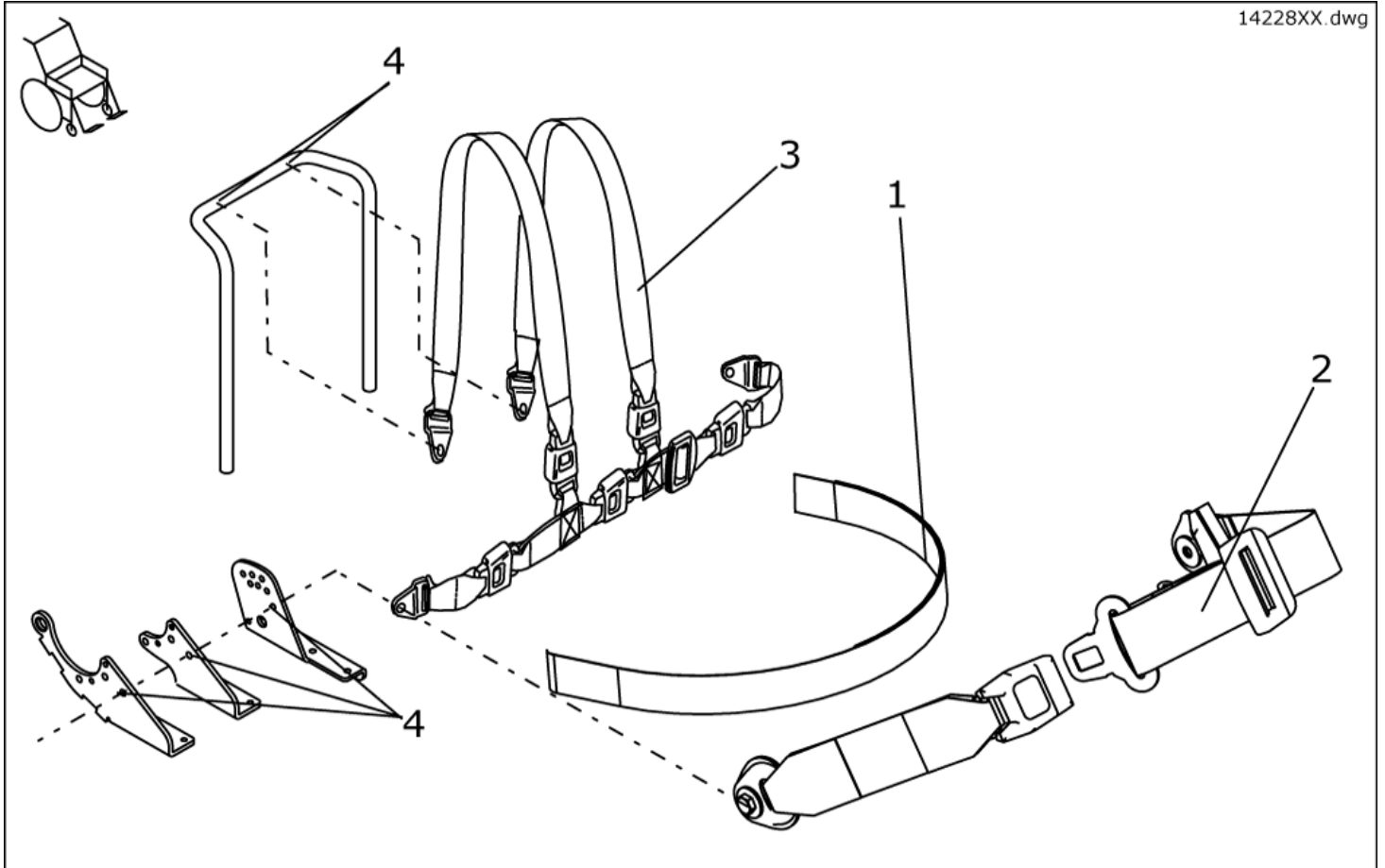
Ruecken_Flex.dwg



item	ordercode	description	quantity
-	SP1422126	BACKREST FLEX SB 39 WITHOUT UPHOLSTERY CPL.	1
-	SP1422124	BACKREST FLEX SB 43 WITHOUT UPHOLSTERY CPL.	1
-	SP1422125	BACKREST FLEX SB 48 WITHOUT UPHOLSTERY CPL.	1
1	SP1423217	BACK PLATE SB 39 CPL.	1
1	SP1423218	BACK PLATE SB 43 CPL.	1
1	SP1423219	BACK PLATE SB 48 CPL.	1
2	SP1422117	SPACER BLOCK, 4 PIECES	1
3	SP1423220	GUIDE BUSH CPL. (PAIR)	1
4	5252204	BACKREST BAR	2
5	5253088	FIXING BLOCK	4
6	1425840-9005	PUSH HANDLE SB 39	1
6	1425839-9005	PUSH HANDLE SB 44/48	1
7	SP1488810	STABILIZATION SHEET METAL COMPLETELY; SEAT WIDTH 43/48cm	1
7	SP1488804	STABILIZATION SHEET METAL COMPLETELY; SEAT WIDTH 39cm	1

Straps

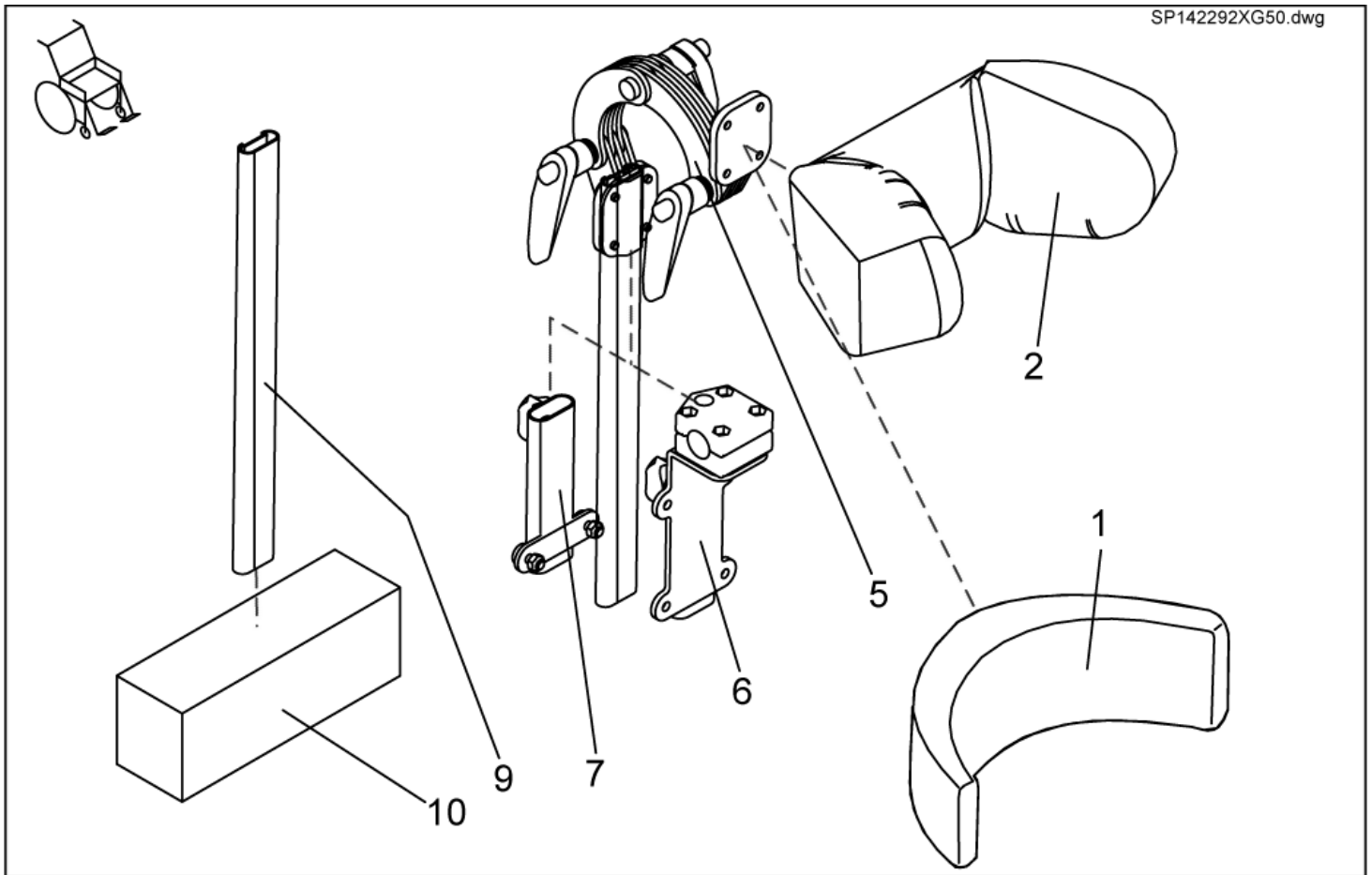
14228XX.dwg



item	ordercode	description	quantity
1	1422869	POSITIONING STRAP W. VELCRO CPL. FOR STANDARD-SEAT	1
1	1422870	POSITIONING STRAP W. VELCRO CPL. FOR FLEX/CONTOUR-SEAT	1
1	F367002	SAFETY BELT WITH VELCRO FASTNER F. RECARO	1
2	1422845	POSITIONING STRAP W. SNAP CPL. FOR STANDARD-SEAT	1
2	1422846	POSITIONING STRAP W. SNAP CPL. FOR FLEX/CONTOUR	1
2	Z163001A	SAFETY BELT WITH SNAP LOCK AND VELCRO FASTNER FOR RECARO	1
3	1422848	H-STRAP STD./CONTOUR	1
3	1422847	H-STRAP FLEX	1
4	NA	SCREW-DOWN POINTS FOR RETAINING BELTS	2, 4

Head restraints

△ ONLY FOR SEAT SYSTEMS WITHOUT HEADREST.



item	ordercode	description	quantity
1,5	SP1422925	HEADREST CONTOUR BLACK CPL.	1
2,5	SP1423163	HEADREST FLEX GREY CPL.	1
2,5	SP1428092	HEADREST FLEX, DARTEX GREY, COMPLETE	1
2,5	SP1422926	HEADREST FLEX BLUE CPL.	1
2,5	SP1440285	HEADREST FLEX, BLACK COMPLETE	1
1	1422865	HEADREST PAD STD./CONTOUR BLACK	1
2	5252230-TR04	HEADREST PAD FLEX GREY	1
2	1422544	HEADREST PAD FLEX BLUE	1
5	5255497	HEADREST HOLDER	1
6	SP1422914	HEADREST HOLDER F. STD. SEAT SYSTEM CPL.	1
7	SP1422547	HEADREST HOLDER F. CONTOUR/FLEX. SEAT SYSTEM CPL.	1
9	1422921	HOLDER F. BACKREST EXTENSION	1
10	5253035-TR04	BACKREST EXTENSION SB 39; GREY	1
10	5253035-TR23	BACKREST EXTENSION REA 704 SB 39; DARTEX GREY	1
10	SP1422918	BACKREST EXTENSION FLEX SB 39; BLUE	1
10	SP1436567	BACKREST EXTENSION FLEX SB 39; BLACK	1
10	5253036-TR04	BACKREST EXTENSION SB 44; GREY	1
10	5253036-TR23	BACKREST EXTENSION REA 704 SB 43; DARTEX GREY	1
10	SP1422919	BACKREST EXTENSION FLEX SB 43; BLUE	1
10	SP1436568	BACKREST EXTENSION FLEX SB 43; BLACK	1
10	5253037-TR04	BACKREST EXTENSION SB 49; GREY	1
10	5253037-TR23	BACKREST EXTENSION REA 704 SB 48; DARTEX GREY	1
10	SP1422920	BACKREST EXTENSION FLEX SB 48; BLUE	1
10	SP1440283	BACKREST EXTENSION FLEX SB 48; BLACK	1