

Cable**ACS-Buscables**

ordercode	60Ah / 70Ah	97Ah
1419370	X	
1467986		X

Battery cable with fuse and holder

ordercode	60Ah / 70Ah	97Ah
1419369	X	
1467985		X

ACS-Buscables

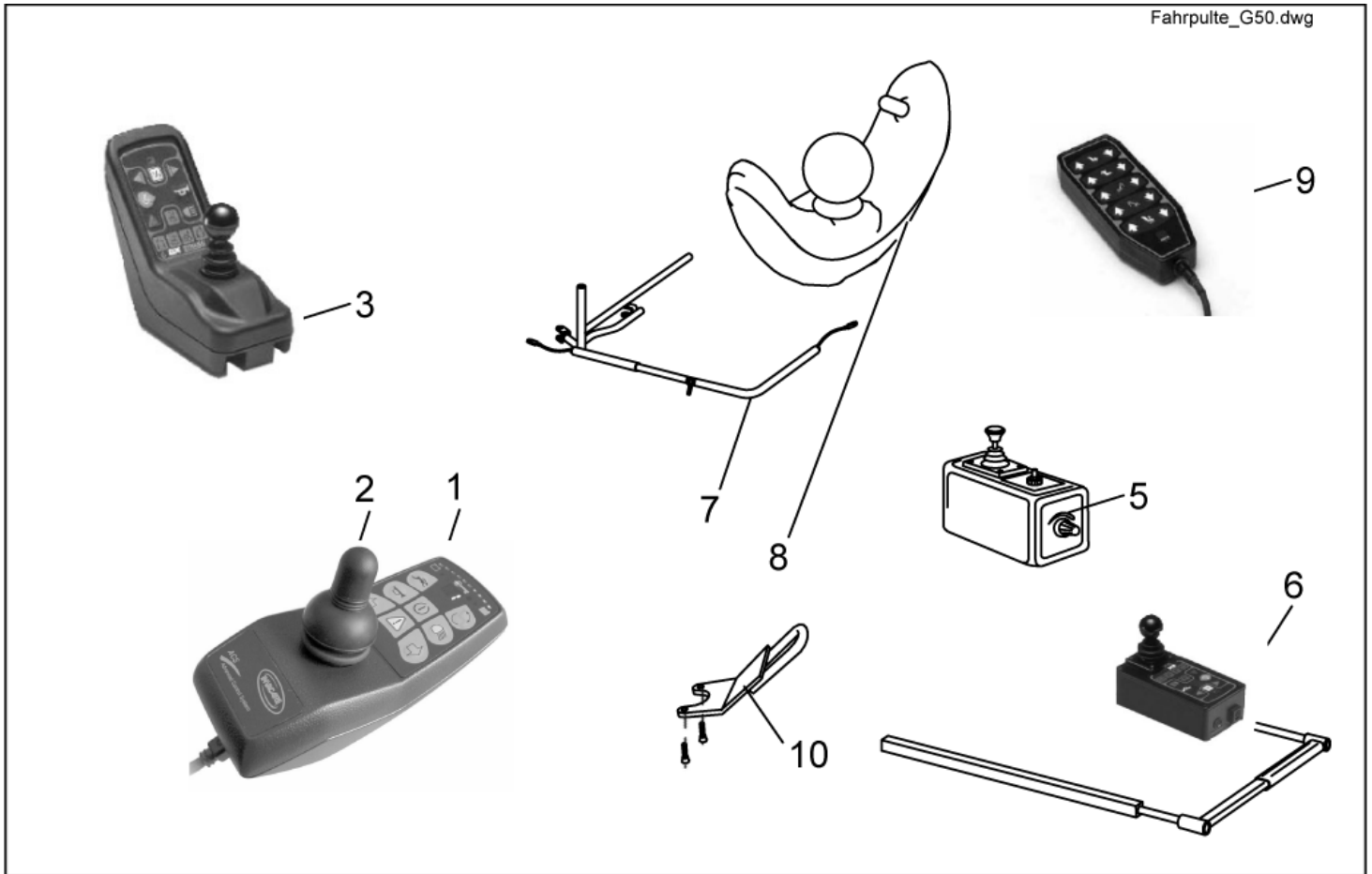
ordercode	ACS with Lights with all Actuators	PM-->SLM	ACS with Lights without Lifter
GSM63016	X		
GSM63003		X	X

Main cable harnesses

ordercode	ACS Lights only	ACS without Lights
1488948		X
1491094	X	

Control Unit

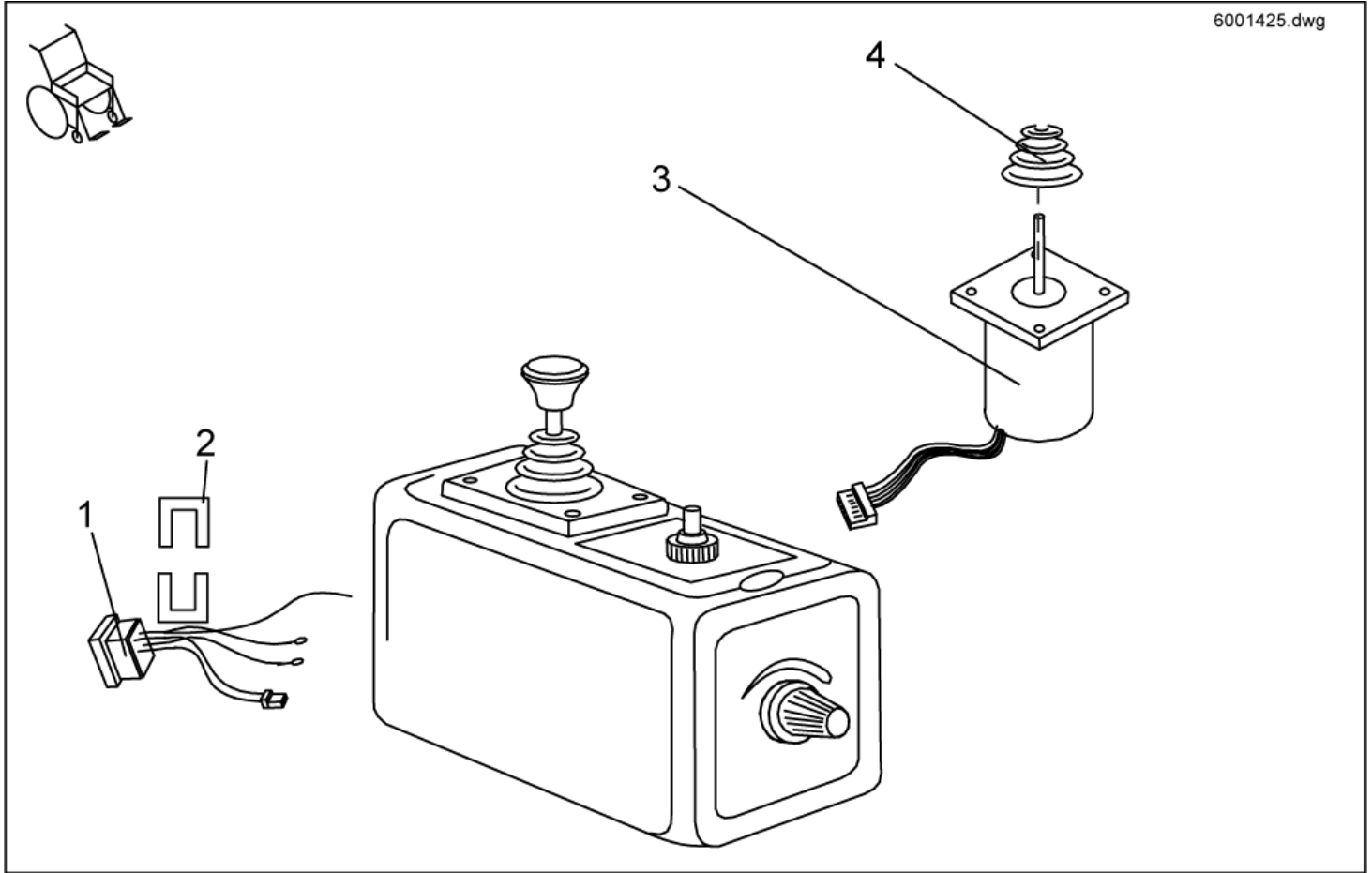
Fahrpulte_G50.dwg



item	ordercode	description	quantity
1,2	1436541	REMOTE REM 24 SD	1
2	Z183229	JOYSTICK KNOB CPL.	1
1,2	SP1436544	ATTENDANT JOYSTICK BOX REM 24SD	1
	GSM63003	ACS BUS CABLE L=300 MM	1
	GSM63016	ACS-BUS CABLE L=1600 MM	1
	1440424	ACS-BUS CABLE LONG VERSION	1
3	1419205	JOYSTICK BOX REM 34 (DOLPHIN)	1
5	6001425	ACS CTRL. FOR ATTENDANT SWITCHABLE	1
6	SP1422799	SWING-OUT MIDDLE CONTROL LH CPL.	1
6	SP1422800	SWING-OUT MIDDLE CONTROL RH CPL.	1
7	SP1422943	ASSEMBLY KIT FOR ELECTR. HORIZONTAL SWING-OUT CHIN CONTROL	1
7	SP1422942	ASSEMBLY KIT RH F. MANUAL HORIZONTAL SWING-OUT CHIN CONTROL	1
7	SP1422945	ASSEMBLY KIT FOR ELECTR. HORIZONTAL SWING-OUT CHIN CONTROL, LH CPL.	1
7	SP1422944	ASSEMBLY KIT RH F. EL. HORIZONTAL SWING-OUT CHIN CONTROL	1
7	SP1422946	ELECTR. VERTICAL SWING-OUT CHIN CONTROL ASSEMBLY KIT	1
8	SP1422801	ACS CHIN CONTROL LH CPL.	1
8	SP1422802	ACS CHIN CONTROL RH CPL.	1
9	F282007	ARC5 CONTROL CPL.	1
10	SP1422828	GUARD BOW F. REM 24 REMOTE CPL.	1
	6001450	ACS-HAND PROGRAMMER, "F; GER; ESP"	1
	P10062	WIZARD SOFTWARE	1
	SP1419695	MAGNETIC KEY W. POUCH CPL.	1

Operation for Attendant, switchable

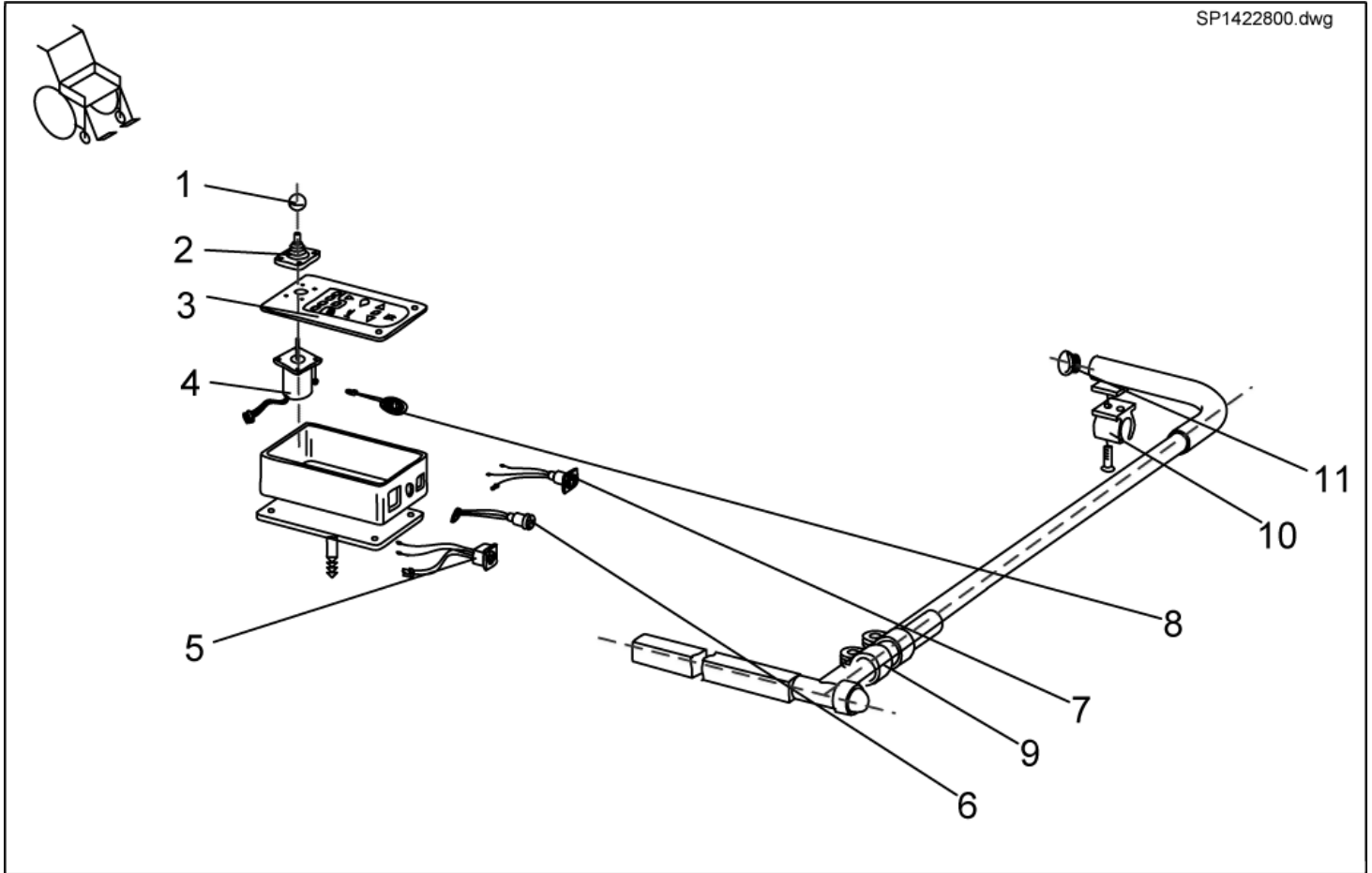
6001425.dwg



item	ordercode	description	quantity
1	P41105	BUS CABLE SOCKET	1
2	GME61927	FIXING CLAMP	1
3	P10304	JOYSTICK	1
4	Z183001A	RUBBER GAITER; BLACK	1

Middle control

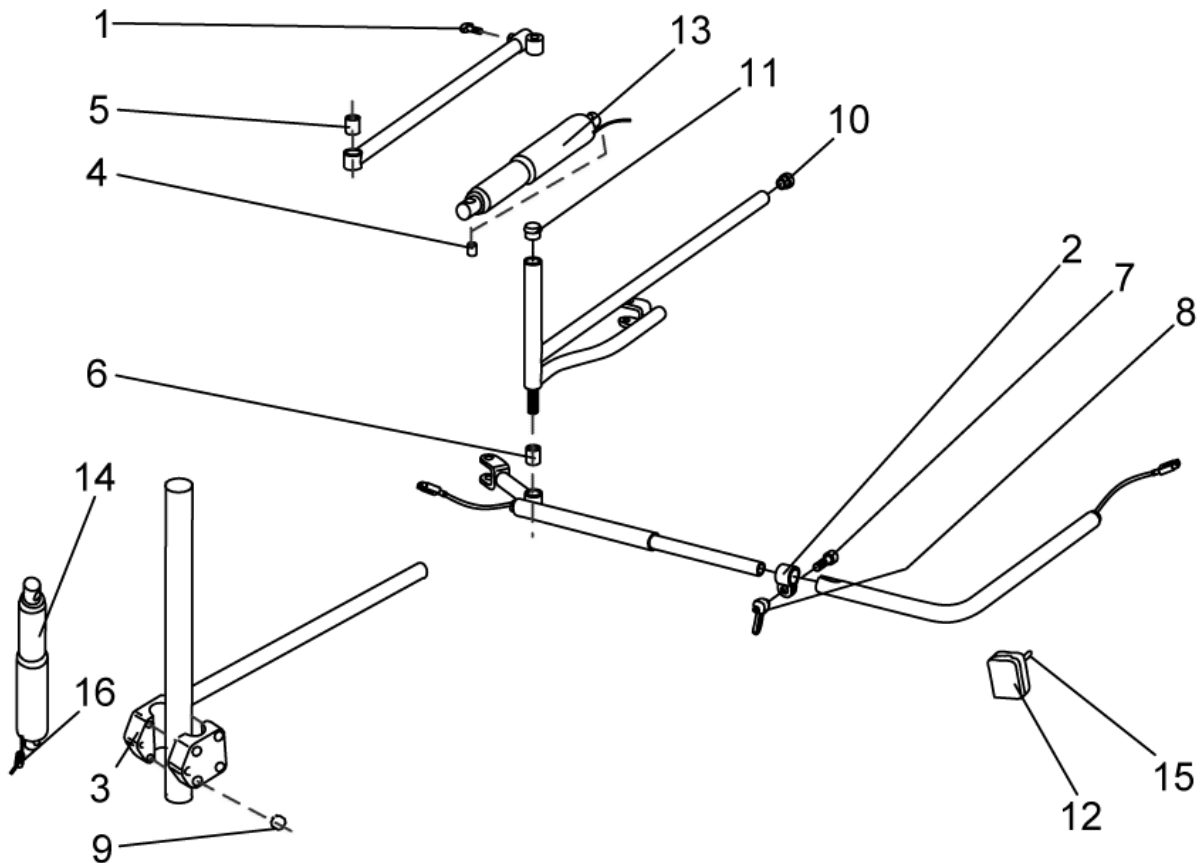
SP1422800.dwg



item	ordercode	description	quantity
1,2,3,4,5	P10066	ACS-TRAY CONTROL BOX	1
1	L36999	KNOB 32 MM, HOLE 5,8 MM	1
2	Z183001A	RUBBER GAITER; BLACK	1
3	P30907	FOIL KEYPAD	1
4	GSM55120	ACS-JOYSTICK F. TRAYCONTROL	1
5	P41108	ACS-BUS CABLE SOCKET	1
6	P41107	PROGRAMMER SOCKET	1
7	P41106	CHARGER SOCKET	1
8	P30493	HORN	1
9	5006720	CLAMP 22 MM	2
10	Z16001A	CLAMP	1
11	L01008	TUBE END PLUG SL 22	2

Chin operation turning mechanism

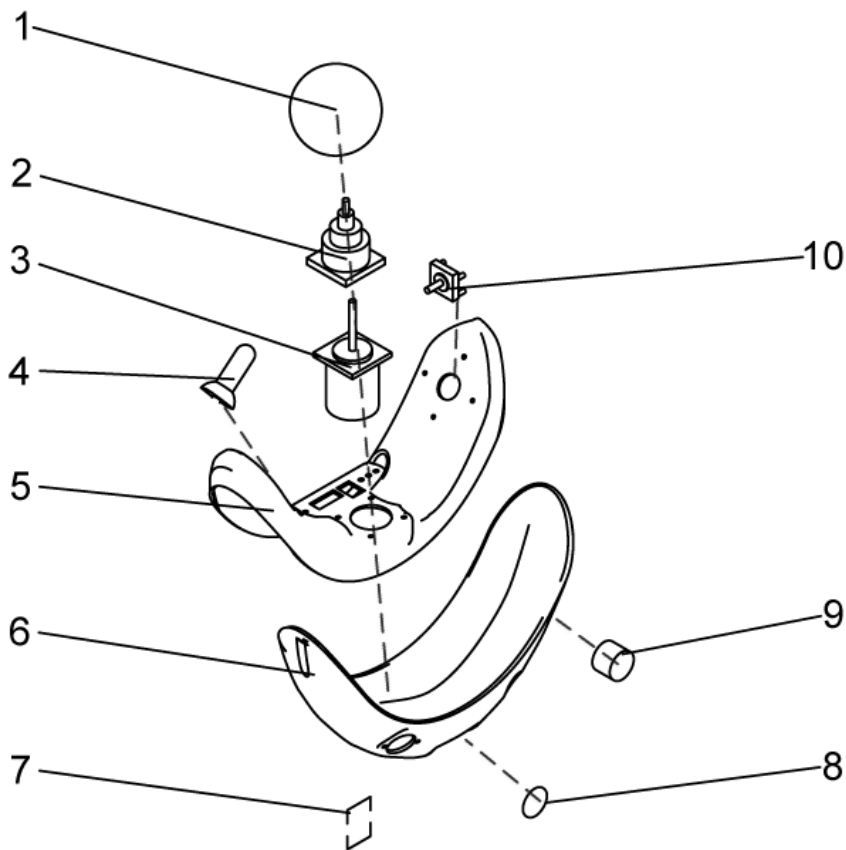
F3_Kinn_Abschwenk.dwg



item	ordercode	description	quantity
1	L31001	HAND KNOB M6 X 10	1
2	5006720	CLAMP 22 MM	1
3	Z12009A	CLAMP	2
4	4000665-0002	SPACER BUSH 10X1X22,5	2
5	A17012A	BUSH RD. 18 X 22	1
6	Z131009A	BUSH RD. 18 X 3 X 22	1
7	E30101	CUP HEAD NIBBED BOLT M8 X 25	1
-	L01041	NUT CAP M8	2
-	L01037	NUT CAP M12	2
8	L32901	LEVER M8; BLACK	1
9	K22103	CAP A10	1
10	L01049	TUBE END PLUG SL 18	2
11	L01008	TUBE END PLUG SL 22	4
12	L90994	MULTIBOX SMALL	1
13	P00082	ACTUATOR LA 22.5E-75-24 INCL CABLE AND SWITCH	1
14	P00081	ACTUATOR LA 22.5E-100-24 WITH STOP-SWI	1
-	P12194	POLYSWITCH FUSE RXE 135	1
15	P30109	TOGGLE SWITCH SINGLE POLE	1
15	Z183011A	TOGGLE SWITCH EXTENSION; GREY	1
16	P09596	FERRITE SLEEVE C=8 D=1	1

Chin operation control unit

SP1422802.dwg



item	ordercode	description	quantity
1	Z183265	FOAM CONTROL KNOB CPL.	1
2	Z183001A	RUBBER GAITER; BLACK	1
3	P10304	JOYSTICK	1
4	Z183229	JOYSTICK KNOB CPL.	2
5	F383019	UPPER HOUSING; GREY	1
6	Z183242	LOWER HOUSING LH	1
6	Z183241	LOWER HOUSING RH	1
7	P41106	CHARGER SOCKET	1
8	T95099	O-RING 14-3 MM	1
9	P41104	PROGRAMMER SOCKET	1
9	P41108	ACS-BUS CABLE SOCKET	1
9	P41106	CHARGER SOCKET	1
10	Z183243	ACS-CHIN CONTROL JOYSTICK SWITCH LH	1
10	Z183244	ACS-CHIN CONTROL JOYSTICK SWITCH RH	1
-	P10475	STICKERSET (ACS CHIN CONTROL)	1
-	P09594	FERRITE SLEEVE C=6.4,D=2 TDK ZCAT 1325-0530A	1
-	P30499	HORN (DIGISOUND)	1
-	Z183048	HORN CLAMP	1
-	GME61927	FIXING CLAMP	2