
Spare Part List - INVACARE® G50



Table of Contents - INVACARE G50

.....	1
Warnings/ Information	5
G50.....	6
Dataplate	6
Chassis.....	7
Chassis G50.....	7
Front Rocker	8
Rear Rocker	9
Cover.....	11
Rear cover.....	11
Front cover	12
Laterally cover.....	13
Wheels	14
Front Wheels	14
Wheels, Pneumatically.....	14
Wheels, Breakdown-saved	15
Rear Wheels	16
Tire, pneumatically.....	16
Tire, puncture-proof solid inlay.....	17
Back Unit.....	18
Drives	18
Uncoupling	19
Parking Brake.....	20
Battery box	21
Electronic.....	22
Lighting.....	22
Front light, right.....	22
Rear light.....	23
Electronic	24
Cable	25
ACS-Buscables	25
Battery cable with fuse and holder	25
ACS-Buscables	25
Main cable harnesses	25
Control Unit	26
Operation for Attendant, switchable	27
Middle control.....	28
Chin operation turning mechanism	29
Chin operation control unit	30
Remote control fixation.....	31
Remote Holder	31

Remote Holder for a accompany person	32
Seat unit	33
Seat support / sheet metal	33
Slewing mechanism, for firm leg supports	34
Slewing mechanism, for turnable leg supports	36
Seat tilt electrically	38
Seat tilt firmly.....	39
Running along arm rest.....	40
Cushion	41
Backrest Upholstery	42
Side parts	43
Standard of side parts completely, for low seat level	44
Back adjustment Flex/Kontur manually	46
Back adjustment Flex/Kontur electrically	47
Assembly Kit Of Back Adjustment	49
Back adjustment Flex.....	50
Straps.....	51
Head restraints.....	52
Legrests, sideways mounted.....	53
Footrest Receptacle, electrically 8cm	53
Footrest Receptacle, electrically 5cm	54
Footrest Receptacle, manually.....	55
Footrest upper.....	56
Upper Vari F, right.....	57
Upper Vari F, left.....	58
Upper Vari A, right.....	59
Upper Vari A, left.....	60
Upper ADM, right	61
Assembly kit, ADM hangers.....	62
Assembly kit, ADM sliding bush.....	63
Assembly kit, Trip lever + lock lever.....	64
Assembly kit, ADM adjustment	65
Upper ADM, left.....	66
Assembly kit, hangers.....	67
Assembly kit, ADM sliding bush.....	68
Assembly kit, Trip lever + lock lever.....	69
Assembly kit, ADM adjustment	70
Upper ADP, right.....	71
Assembly kit, ADM Hangers	72
Assembly kit, ADM Sliding Bush.....	73
Assembly kit, Trip lever + lock	74
Assembly kit ADP, Actuator Bracket.....	75
Assembly kit ADP, Hoist Motor	76
Upper ADP, left	77

Assembly kit, ADM Hangers	78
Assembly kit, ADM sliding bush	79
Assembly, Trip lever + Lock lever	80
Assembly kit ADP, Actuator Bracket	81
Assembly kit ADP, hoist motor	82
Options	83
Desk/ Tray control	83
Tray Control	84
Documentation	85
User manuals G50	85

Warnings/ Information

△ **Caution: Physical injury and damage to property! Loss of CE conformity and warranty due to modifications and mounting of privately purchased articles without authority!**

Alterations to the vehicle that are not approved by Invacare® and/or do not belong to the standard or optional equipment can

- downgrade vehicle handling to such an extent that the vehicle is no longer controllable,
- restrict functionality to such an extent that this may cause failure of electric/electronic components or become a fire hazard.

Modifications that have not been approved and the mounting of privately purchased articles will lead to the loss of CE conformity, Invacare® will not be liable in the event of physical injury or damage to property.

Expiration of vehicle warranty.

Maintain full efficiency and the safe use of your vehicle, avoid physical injury, damage to property or the loss of CE conformity and warranty by:

- only using original Invacare® spare parts,
- only using installation material of the same quality as the original material,
- never opening electric and electronic components (not even after warranty has expired!),
- never modifying electric, electronic or mechanical components
- never mounting parts obtained from external manufacturers without written approval from Invacare®.

✓ **Information: Definitions.**

What parts are looked upon by Invacare® as being from external manufacturers and as electric/electronic components?

Among other things, parts from external manufacturers that are subject to approval are:

- All electric and electronic components that are connected to the power supply system of the vehicle, such as seat heating, remotes, signal horns, radios.
- All mechanical mounted parts that change vehicle handling, such as trailed units and seat systems.
- In general mounted parts are not permitted that do not conform with the valid road traffic regulations and may thus also not be mounted on Invacare® vehicles.

Electric and electronic components must not be opened, e.g.:

- Electronics
- Drive motors
- Remotes
- Actuators for electric adjustments, e.g. adjustment of the back, legrests and seat angle.

△ **Caution: Risk of injury when assembling and dismantling the vehicle!**

Before commencing any work, ensure that the vehicle is secure. Please read and follow the valid industrial safety regulations. Carry out maintenance and service work according to the service instructions (available separately) in order to avoid physical injury and damage to property. A tool list, illustrated step-by-step instructions and details of tightening torques, will assist you and show how the vehicle remains, or will remain safe and fully serviceable.

✓ **Information: Invacare® addresses and service numbers.**

Addresses and service numbers of Invacare® branches can be found in the operating instructions, in the service instructions and on the Internet.

Dataplate



- ✓ You are often only able to find the suitable spare part by using the details on the type plate. The type plate is to be found directly on the chassis.

Please quote the serial number, model and year for every order. This helps to prevent misunderstandings.

Typenschild.dwg


INVACARE Deutschland GmbH
Kleiststrasse 49
D-32457 Porta-Westfalica - GERMANY

Model :


REF :


Agreement No:

SN



12/07/2000

EAN

12345678910111212



Max Speed:

Max Incline:

Front Whl Load:

Total Wt:

Mid Whl Load:

Unladen Wt:

Rear Whl Load:

Max User Wt:

1

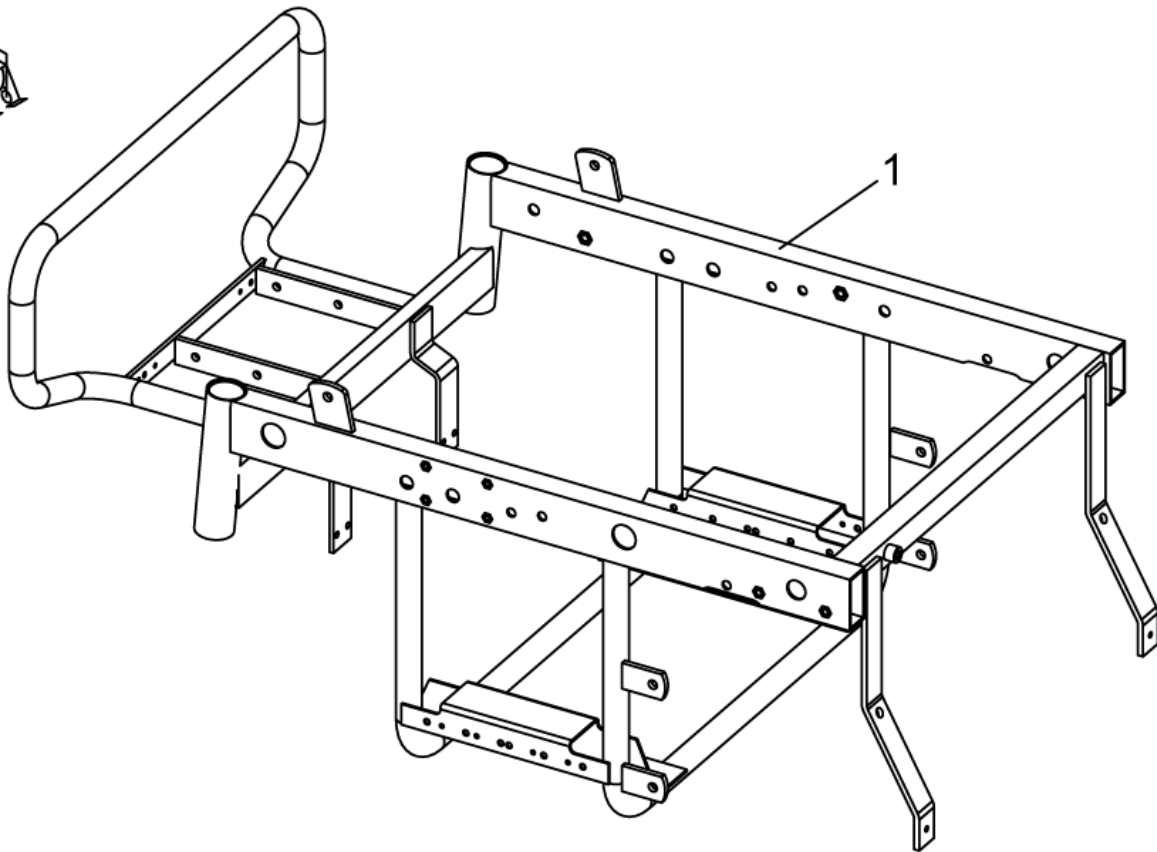
2

3

item	description
1	MODEL DESIGNATION
2	SERIAL NUMBER
3	PRODUCTION DATE

Chassis - Chassis G50

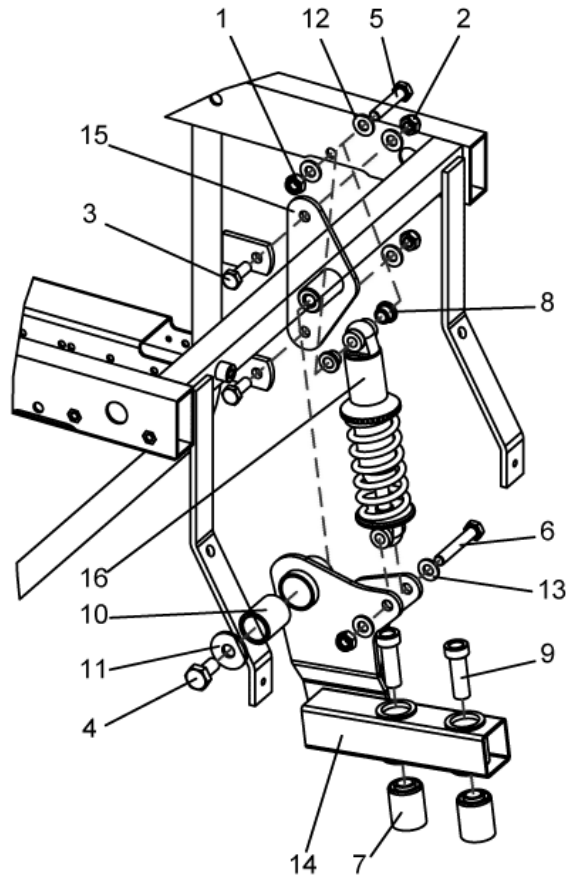
1488016.dwg



item	ordercode	description	quantity
1	1451472	CHASSIS G50, RAL 9005	1

Chassis - Front Rocker

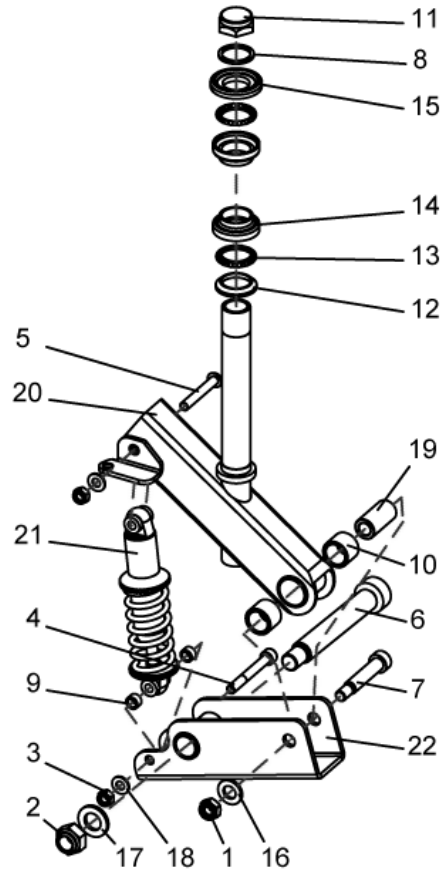
1487395.dwg



item	ordercode	description	quantity
1,5,6,8,12, 13,16	1467988	SHOCK ABSORBER WITH ASSEMBLY KIT FOR RH or LH	1
2,3,4,7,9,10, 11,14,15	1468989	ROCKER WITH ASSEMBLY KIT LH	1
2,3,4,7,9,10, 11,14,15	1468275	ROCKER WITH ASSEMBLY KIT RH	1
1	NA	NYLOC NUT M8	2
2	NA	NYLOC NUT M8 DIN 985	2
3	NA	HEX HEAD SCREW M8 X 20	2
4	NA	SCREW DIN 933 M10x20	1
5	NA	HEX HEAD SCREW M8 X 40	1
6	NA	HEX HEAD SCREW M8 X 50	1
7	NA	ROCKER-ARM BUSH	2
8	NA	BUSH G50 (SHOCK ABSORBER)	2
9	NA	SPACER / G50	2
10	NA	BUSH 202632BP25 G50	1
11	NA	WASHER M10 DIN 9021	1
12	NA	WASHER 8,4 X 17 X 1,6	4
13	NA	WASHER 8,4 X 17 X 1,6	2
14	NA	REAR SUSPENSION LH / G50	1
15	NA	PIVOT BRACKET / G50	1
16	NA	SHOCK ABSORBER DV-22-165	1

Chassis - Rear Rocker

1451477.dwg

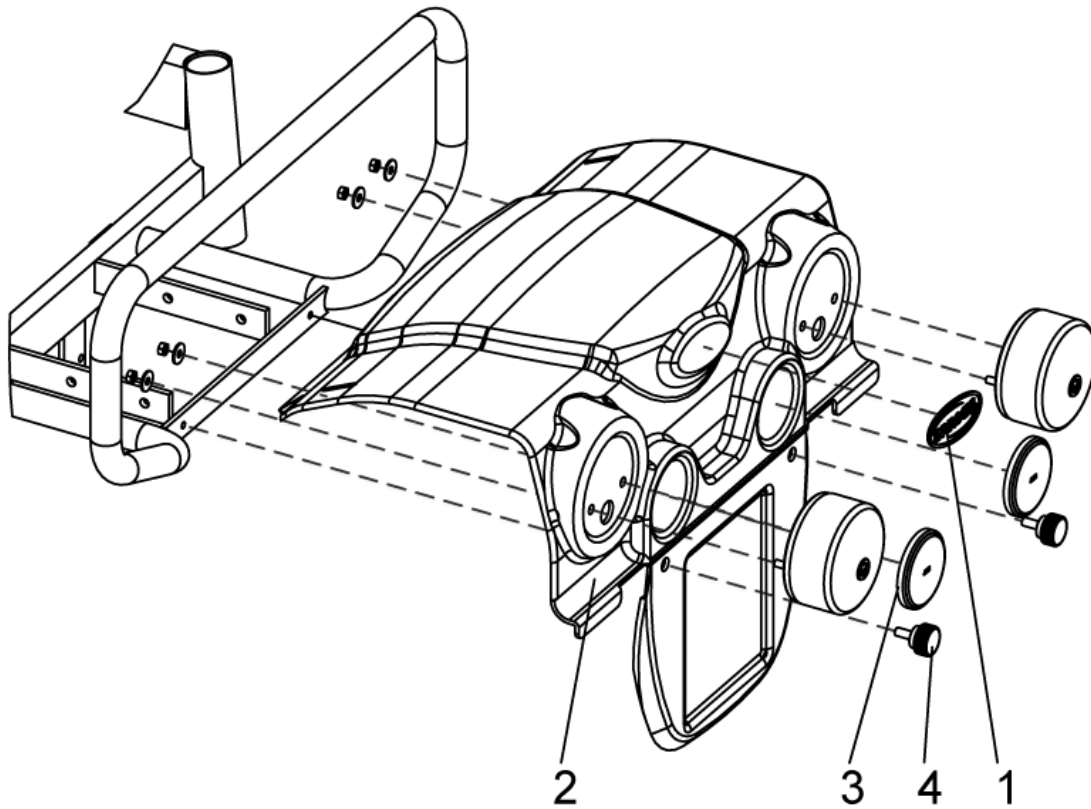


item	ordercode	description	quantity
3,4,5,9,18,21	1468276	SHOCK ABSORBER WITH ASSEMBLY KIT FOR RH or LH	1
1,2,6,7,8,10,11, 12,13,14,15,16, 17,19,22,23	1468287	ROCKER WITH ASSEMBLY KIT RH	1
1,2,6,7,8,10,11, 12,13,14,15,16, 17,19,22,23	1468288	ROCKER WITH ASSEMBLY KIT LH	1
1	NA	NUT M10	1
2	NA	STEER PIPE / G50	1
3	NA	NUT, M8, DIN 985	2
4	NA	SCREW M8x65 DIN 912	1
5	NA	SREW, ISO 7380 M8x55	1
6	NA	SCREW M16x120	1
7	NA	SCREW DIN 7379 M10x50	1
8	NA	STEER HEAD WASHER Dia 26	1
9	NA	SPACER	2
10	NA	BUSH 102620	2
11	NA	STEERING COLUMN HEAD NUT FG 25.4 X 24 GG; CHROME PLATED	1
12	NA	FORK CONE Dia 26, 5	1
13	NA	BEARING 5/32"	1
14	NA	UPPER CONED BEARING BUSH DIA 30	1
15	NA	THREAD CONE Fg 25, 4*24 Gg	1
16	NA	WASHER 13x24x2, 5	1
17	NA	WASHER 17*30*3	1
18	NA	WASHER 8, 4x17x1, 6 DIN 125	2
19	NA	CAMP WAVE G50	1

item	ordercode	description	quantity
20	NA	RAER STEERING SHAFT LH / G50	1
21	NA	SHOCK STRUT 165mm, 150lbs/inch	1
22	NA	ALONG STEERING WHEELS CPL. / G50	1

Rear cover

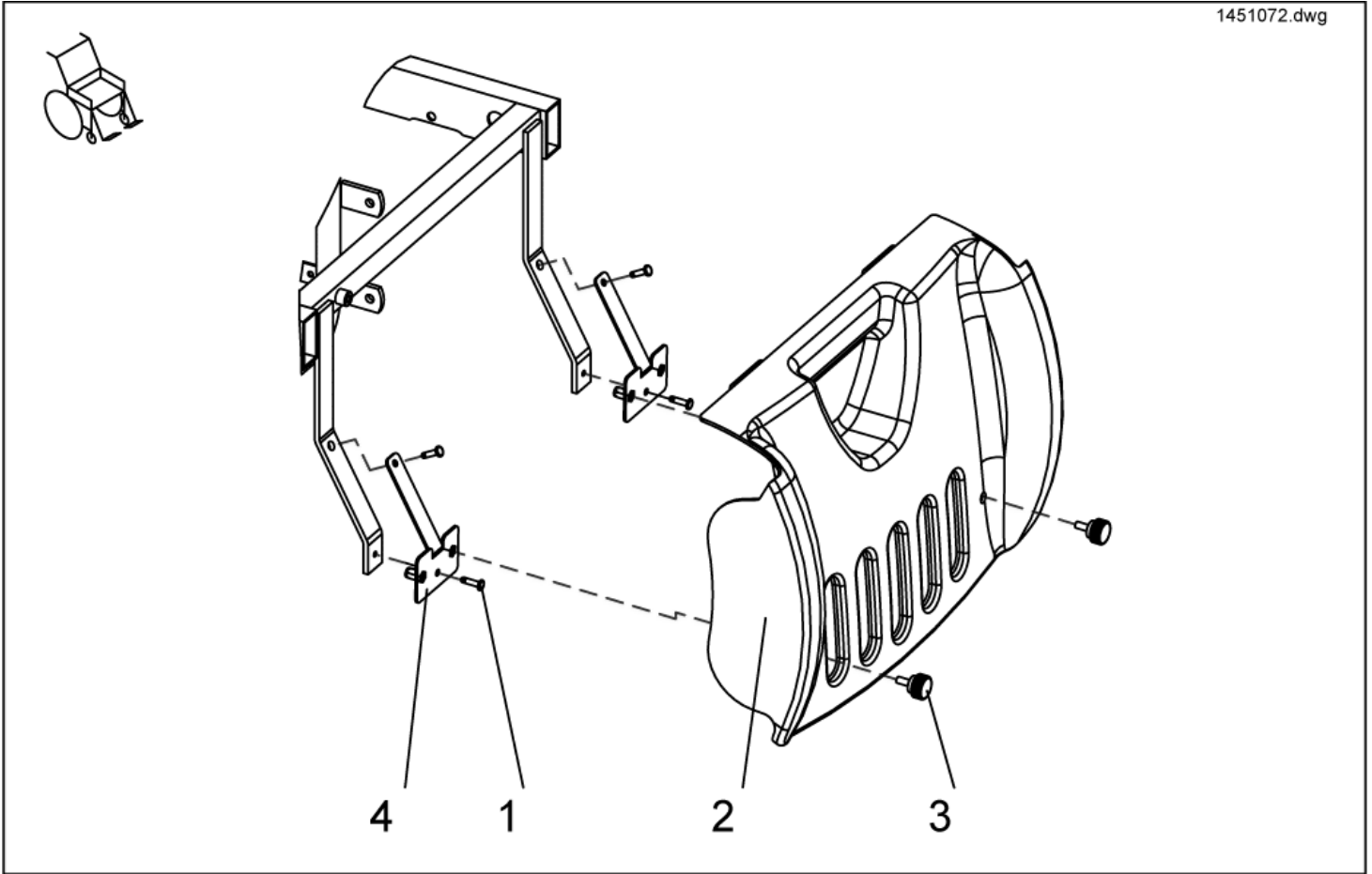
1451073.dwg



item	ordercode	description	quantity
-	1451073	REAR COVER, CPL. WITH LIGHT	1
1,2,3	1468290	REAR COVER G50, RAL9006, WITH LOGO AND REFLECTOR	1
1	0572-06266	INVACARE LOGO	1
2	1442736	REAR LIGHT 24V, CPL.	2
3	1419274	REFLECTOR RED, ROUND	2
4	1440769	HANDWHEEL	2

Front cover

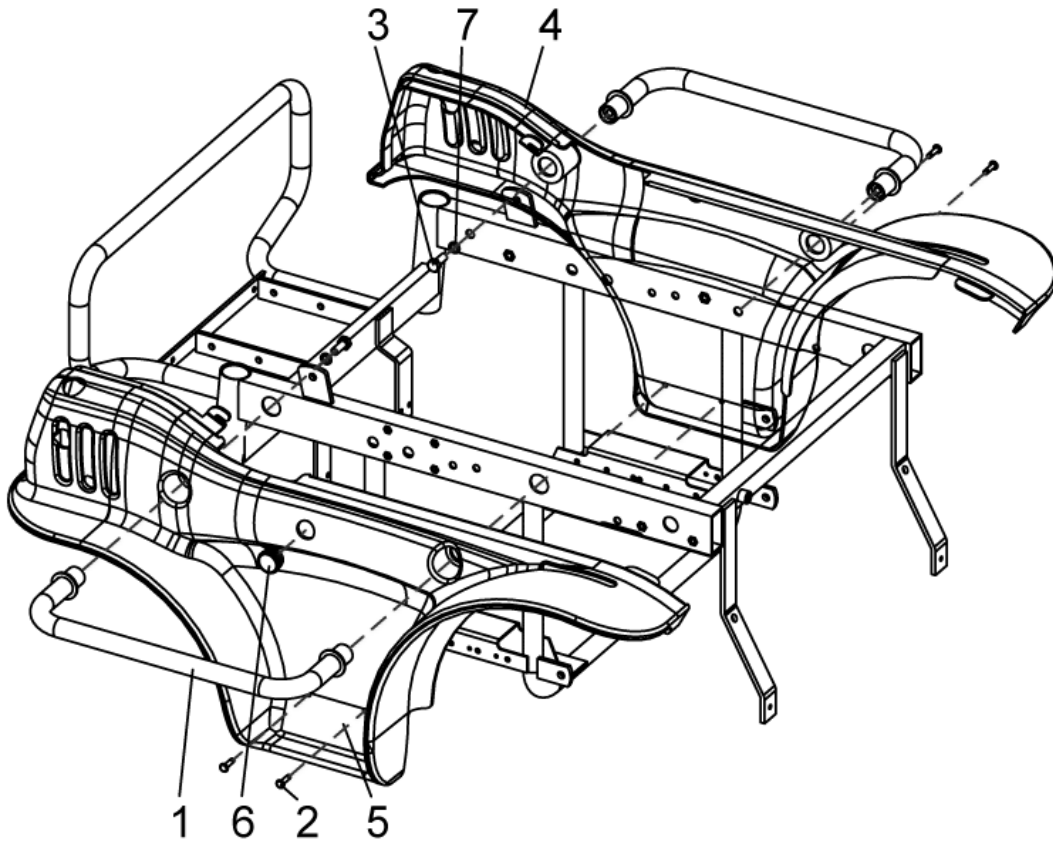
1451072.dwg



item	ordercode	description	quantity
1,2,3,4	1451072	FRONT COVER, CPL. SILVER	1
1,4	1468289	ASSEMBLY KIT FRONT COVER, G50	1
1	NA	BLIND RIVET	4
2	1486055-9006	FRONT COVER	1
3	1440769	HAND WHEEL	2
4	NA	ADAPTER, FRONT COVER, CPL.	2

Laterally cover

1451045.dwg



item	ordercode	description	quantity
1,3,7	1468291	HAND GRIP G50 WITH ASSEMBLY KIT	1
2,6	1468292	ASSEMBLY KIT LATERAL COVER, G50	1
1	NA	HAND GRIP CPL. RAL 9005 / G50	2
2	NA	BLIND RIVET	4
3	NA	SCREW M8*20	2
4	1486057-9006	LATERAL COVER LH RAL9006 WHITE G50	1
4	1486057-5026	LATERAL COVER LH RAL5026 BLUE G50	1
5	1486058-9006	LATERAL COVER RH RAL9006 WHITE G50	1
5	1486058-5026	LATERAL COVER RH RAL5026 BLUE G50	1
6	NA	CAP Ø25mm	1
7	NA	WASHER 8 mm	2