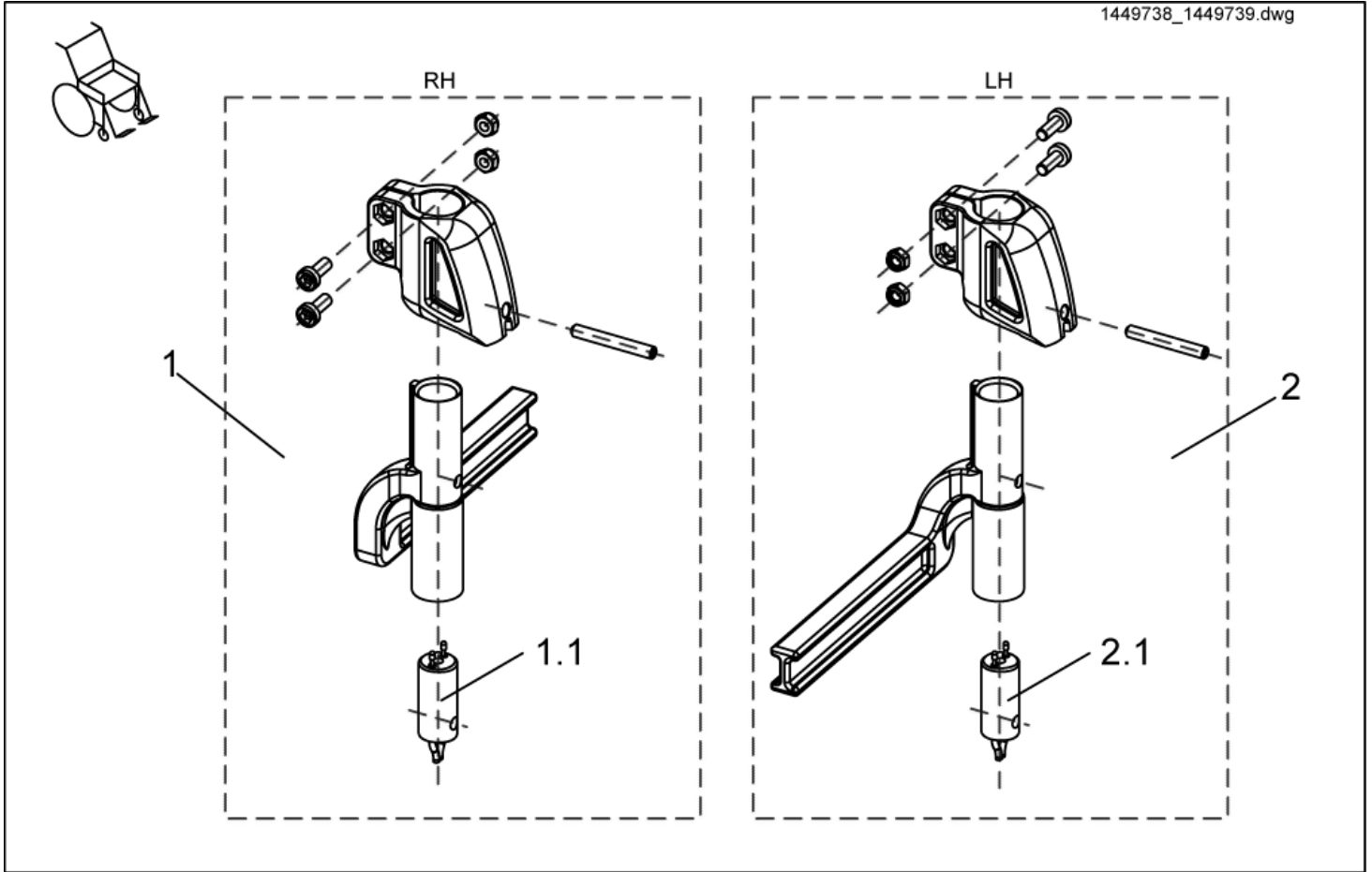


Footrest Receptacle, electrically 8cm

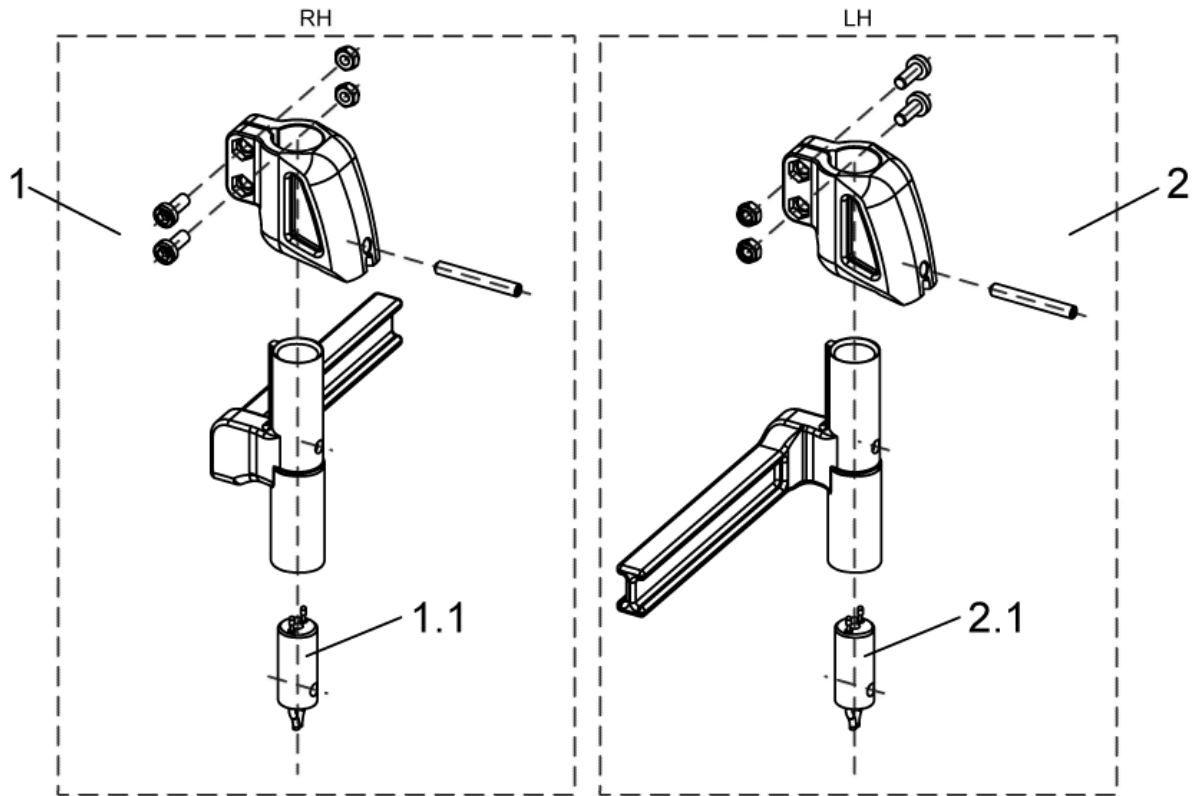
1449738_1449739.dwg



item	ordercode	description	quantity
1	SP1449738	FOOTREST RECEPTACLE CPL., RH ELECTRIC 8CM	1
1.1	1450228	POWER SUPPLY CABLE FOOTREST, SHORT (BLACK ADAPTER)	1
2	SP1449739	FOOTREST RECEPTACLE CPL., LH ELECTRIC 8CM	1
2.1	1450228	POWER SUPPLY CABLE FOOTREST, LONG (BLACK ADAPTER)	1

Footrest Receptacle, electrically 5cm

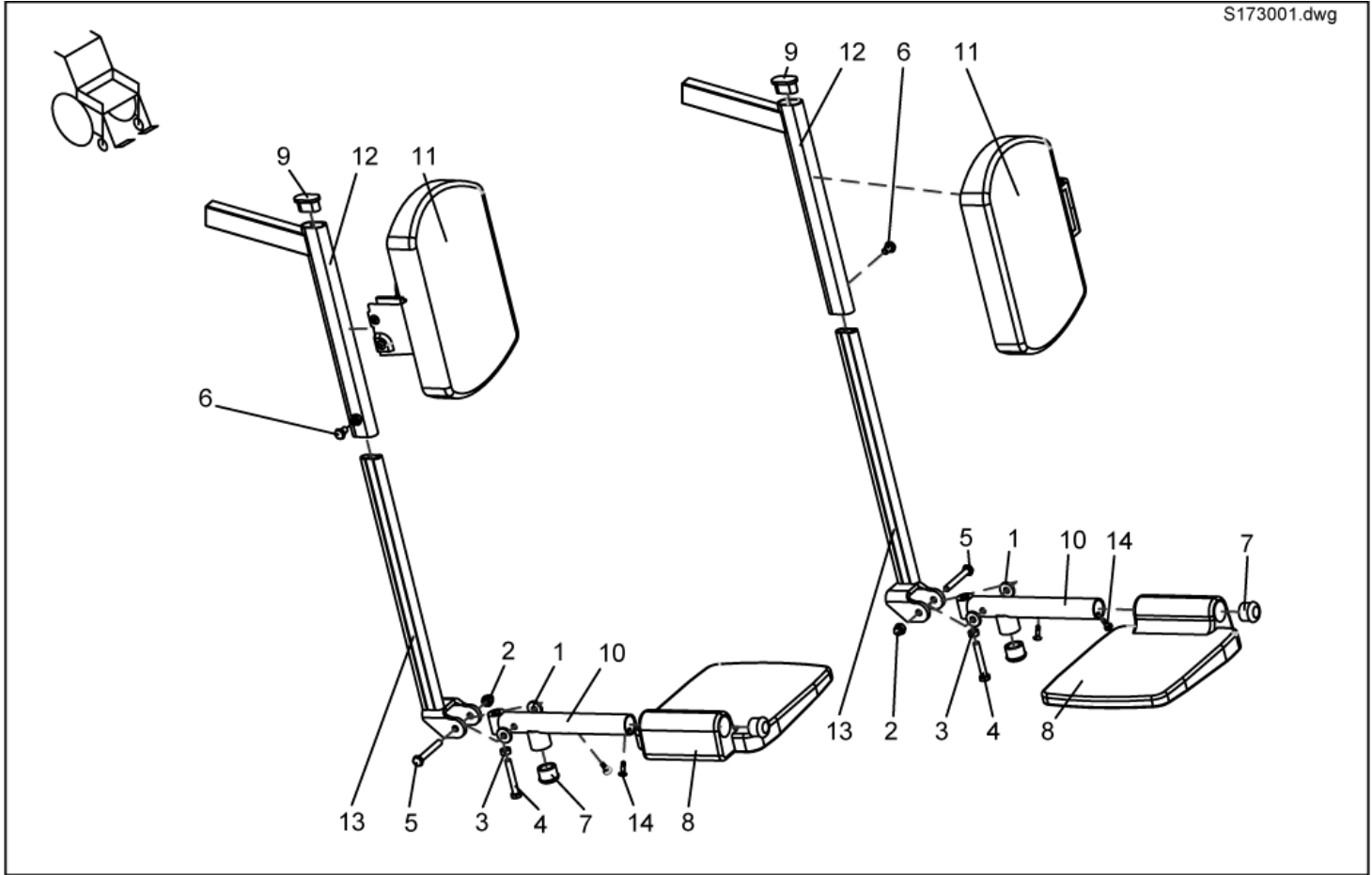
1449314_1449735.dwg



item	ordercode	description	quantity
1	SP1449314	FOOTREST RECEPTACLE, CPL., ELECTRIC RH 5CM	1
1.1	1450228	POWER SUPPLY CABLE FOOTREST, LONG (BLACK ADAPTER)	1
2	SP1449735	FOOTREST RECEPTACLE, CPL., ELECTRIC LH 5CM	1
2.1	1450228	POWER SUPPLY CABLE FOOTREST, LONG (BLACK ADAPTER)	1

Footrest Receptacle, manually

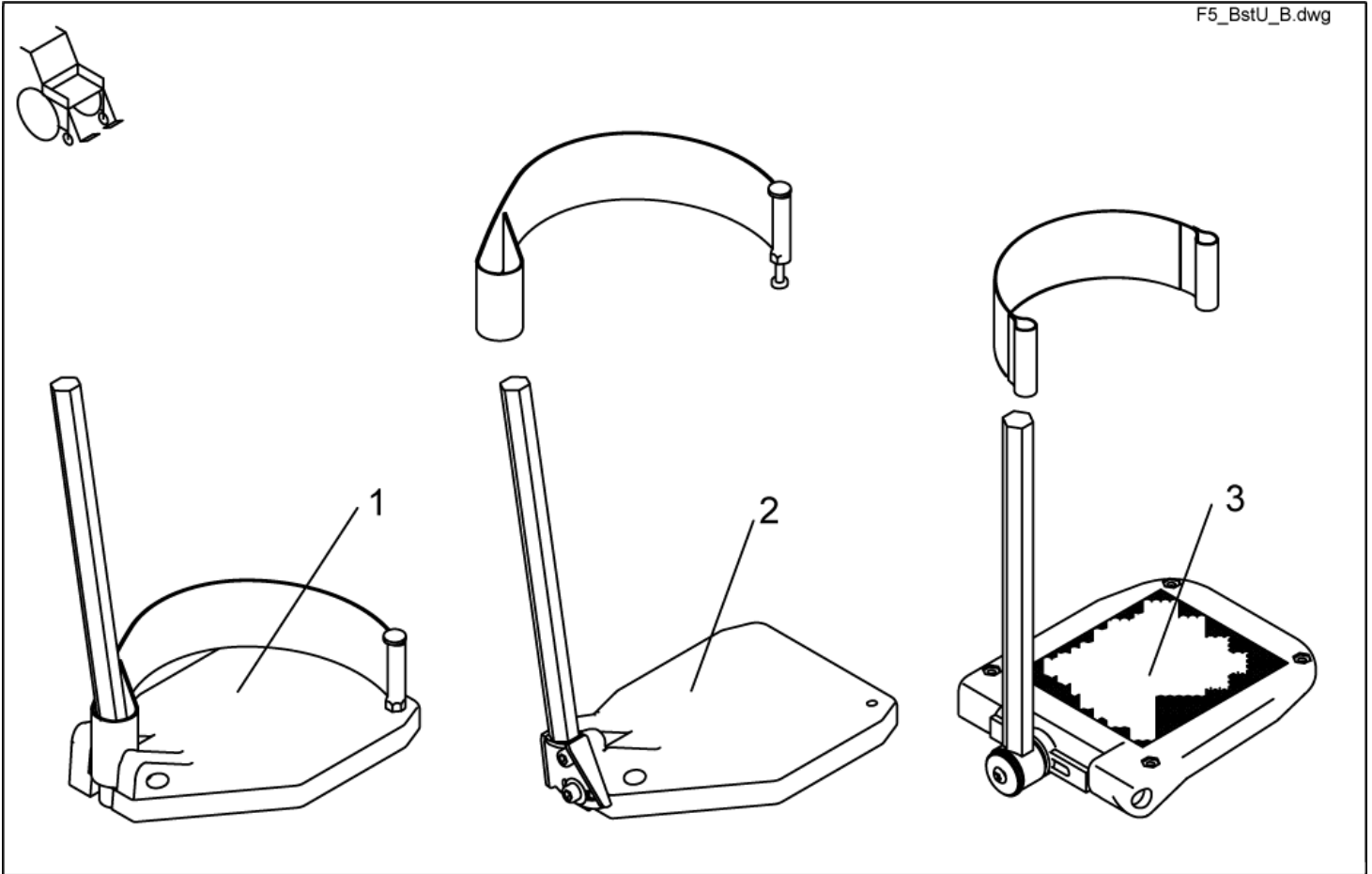
S173001.dwg



item	ordercode	description	quantity
1	S173014	LOWER FOOTREST LH, CPL.	2
2	F60106	DOMED NYLOC NUT M6, SELF-LOCKING	1
3	F00103	HEX NUT M6	1
4	D08125	HEX HEAD SCREW M6 X 40	1
5	D08126	HEX HEAD SCREW M6 X 45	1
6	D08109	HEX HEAD SCREW M6 X 10	1
7	L01008	TUBE END PLUG SL 22	2
8	Z173128	FOOT PLATE	1
9	L01053	TUBE END PLUG FO 30 X 15	1
10	S173009.P40	FOOT-PLATE TUBE; RAL 9005 DEEP BLACK	1
11	Z173008	CALF BRACKET ASSY	1
12	S173004.P40	HANGER RH; RAL 9005 BLACK	1
13	S173018.P40	EXTENSION TUBE RH; RAL 9005 BLACK	1
14	D90188	SELF-TAPPING CROSS HEAD SCREW 4,2 X 13	2

Footrest upper

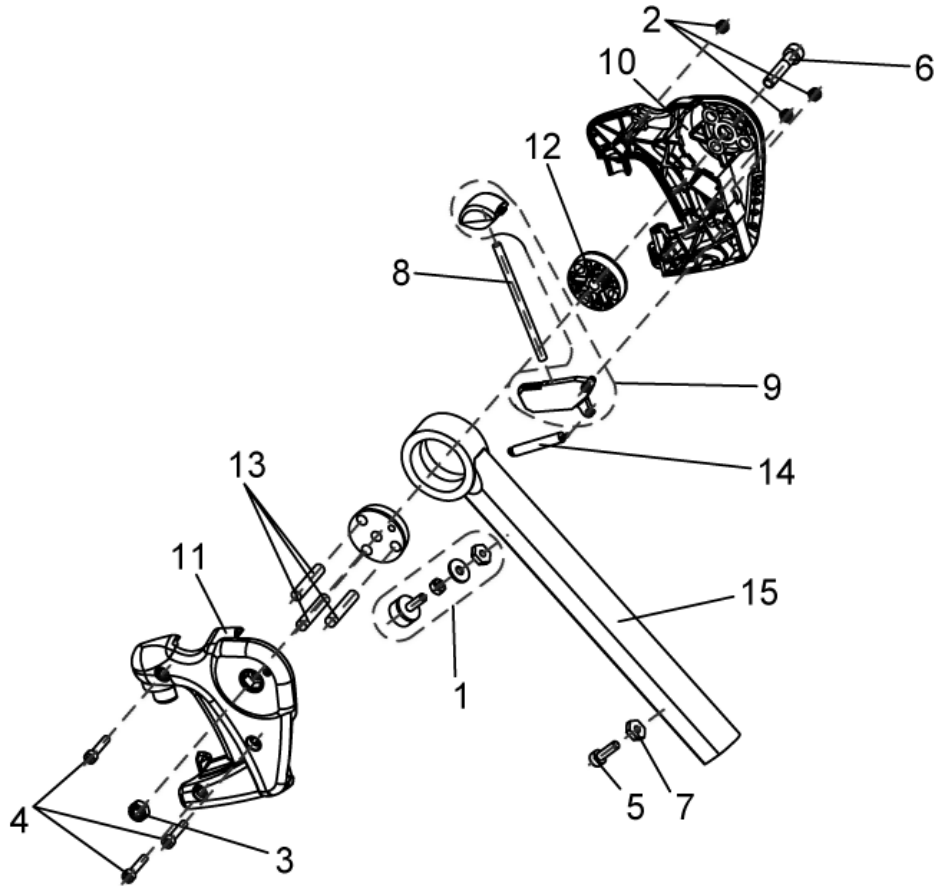
F5_BstU_B.dwg



item	ordercode	description	quantity
1	SP1421663	LOWER FOOTREST LH, CPL.	1
1	SP1421662	LOWER FOOTREST RH, CPL.	1
2	SP1421665	LOWER FOOTREST, ANGLE ADJUSTMENT LH CPL.	1
2	SP1421664	LOWER FOOTREST, ANGLE ADJUSTMENT RH CPL.	1
3	SP1419344	FOOT PLATE LH ANGLE AND DEPTH ADJUSTMENT CPL.	1
3	SP1419345	FOOT PLATE RH ANGLE AND DEPTH ADJUSTMENT CPL.	1

Upper Vari F, right

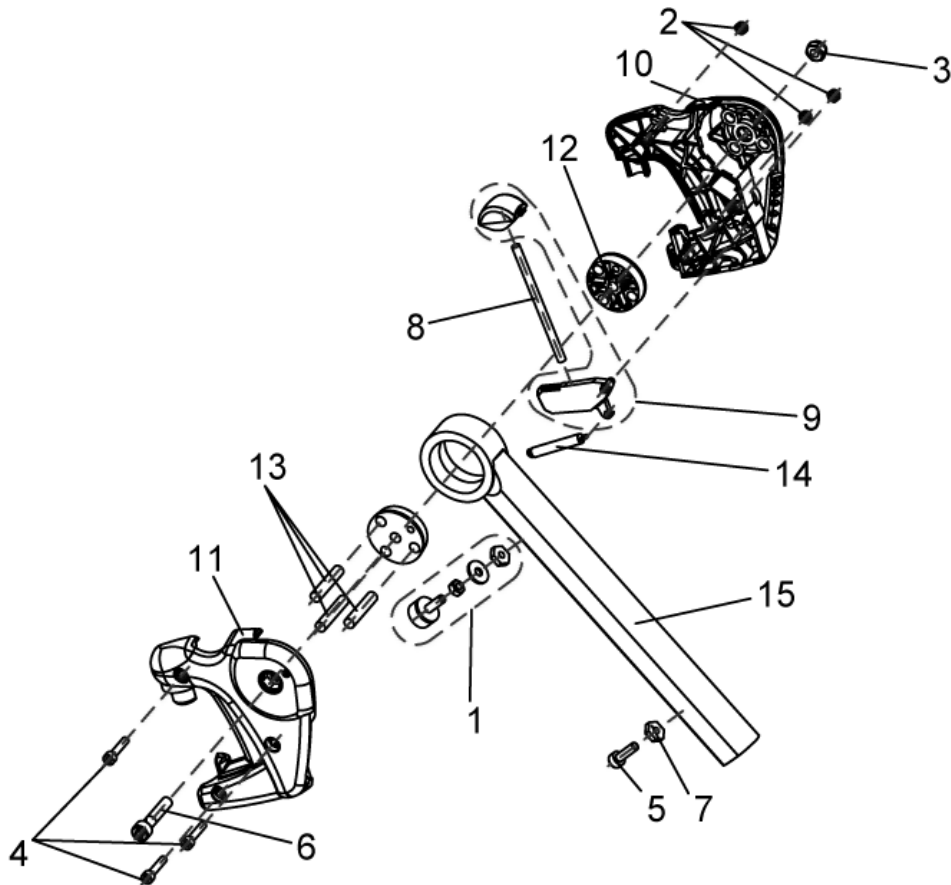
1449346.dwg



item	ordercode	description	quantity
-	SP1449346	UPPER VARI F, RH COMPLETE	1
1	1449154	RUBBER STOP COMPLETE, VARI A / VARI F	1
2	NA	NYLOC NUT M5	3
3	NA	NYLOC NUT M8	1
4	NA	SOCKET HEAD CAP SCREW M5 X 25	3
5	NA	SOCKET HEAD CAP SCREW M6 X 20	1
6	NA	SOCKET HEAD CAP SCREW M8 X 40	1
7	Z173189.99	NUT M6 SW-14	2
8	NA	PUSH ROD	1
9	1449167	RELEASE BUTTON + LOCK LEVER	1
10	Z173181	HANGER LH	1
11	Z173182	HANGER RH	1
12	Z173188	CONED WASHER	2
13	NA	ZYLINDERSTIFT RD. 8 X 40; DIN-7	3
14	Z173178	SPRING	1
15	Z173185-9005	UPPER FOOTREST RH (90-65°)	1

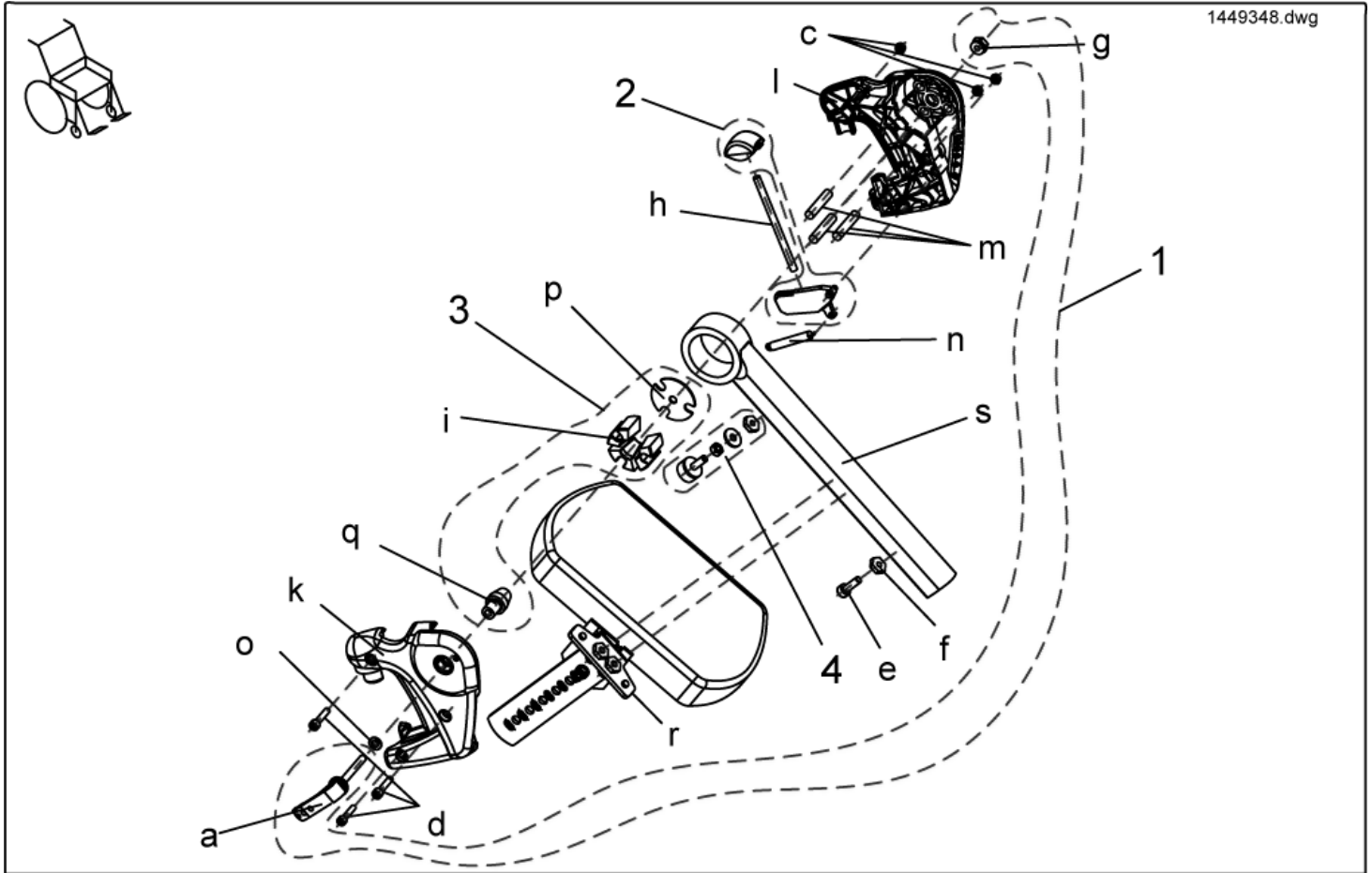
Upper Vari F, left

1449347.dwg



item	ordercode	description	quantity
-	SP1449347	UPPER VARI F, LH COMPLETE	1
1	1449154	RUBBER STOP COMPLETE, VARI A / VARI F	1
2	NA	NYLOC NUT M5	3
3	NA	NYLOC NUT M8	1
4	NA	SOCKET HEAD CAP SCREW M5 X 25	3
5	NA	SOCKET HEAD CAP SCREW M6 X 20	1
6	NA	SOCKET HEAD CAP SCREW M8 X 40	1
7	Z173189.99	M6 NUT, WIDTH ACROSS FLAT 14	2
8	NA	PUSH ROD	1
9	1449167	RELEASE BUTTON + LOCK LEVER	1
10	Z173181	HANGER LH	1
11	Z173182	HANGER RH	1
12	Z173188	CONED WASHER	2
13	NA	DOWEL RD. 8 X 40; DIN-7	3
14	Z173178	SPRING	1
15	Z173185-9005	UPPER FOOTREST RH (90-65°)	1

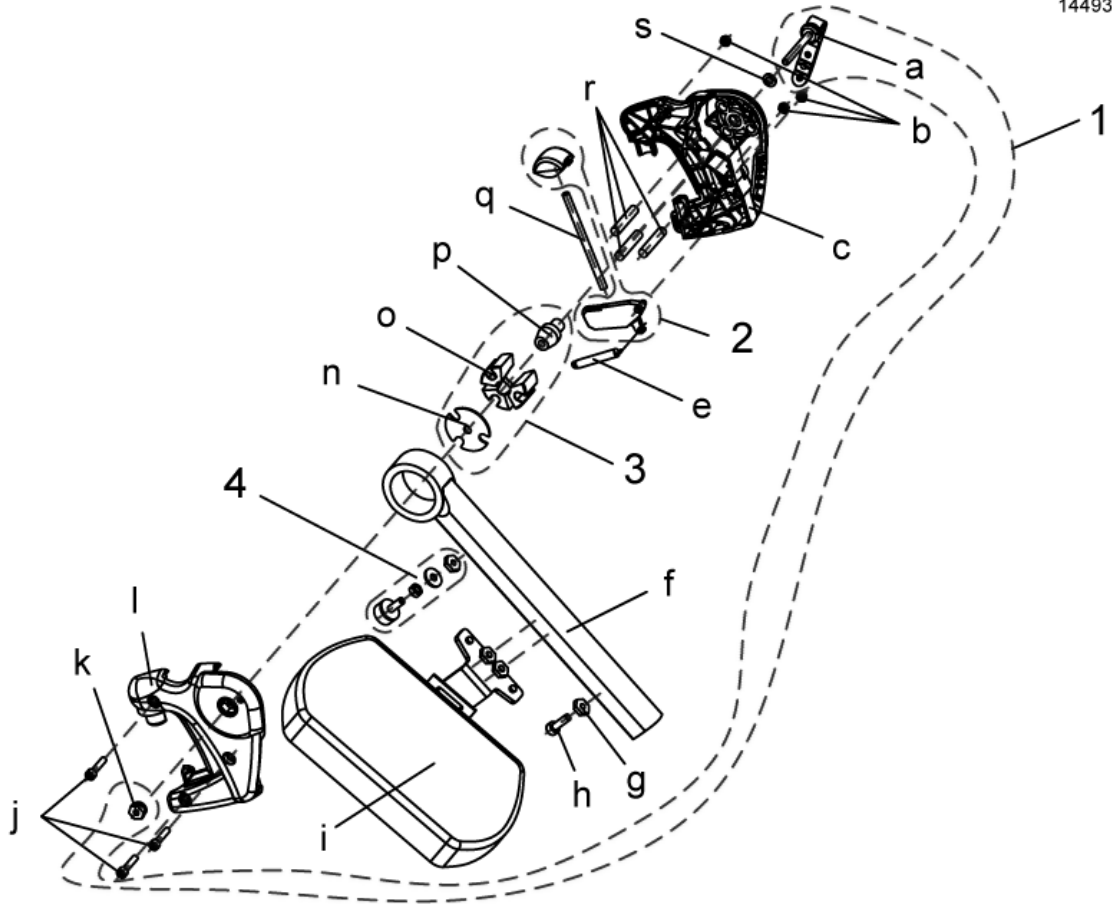
Upper Vari A, right



item	ordercode	description	quantity
-	SP1449348	UPPER VARI A COMPLETE, RH	1
1	1450597	ASSEMBLY KIT, VARI A RELEASE HANDLE	1
2	1449167	ASSEMBLY KIT, RELEASE BUTTON + LOCK LEVER	1
3	1450598	ASSEMBLY KIT, VARI A , CLAMPING BLOCK	1
4	1449154	ASSEMBLY KIT, RUBBER STOP COMPLETE, VARI A/VARI F	1
a	NA	CLAMP LEVER M6 X 25	1
c	NA	NYLOC NUT M5	3
d	NA	SOCKET HEAD CAP SCREW M5 X 25	3
e	NA	SOCKET HEAD CAP SCREW M6 X 20	1
f	NA	NUT M6 SW-14	2
g	NA	NUT M6 SW-13	1
h	NA	PUSH ROD	1
i	NA	CLAMP BLOCK	3
k	NA	Hanger, RH	1
l	NA	Hanger, LH	1
m	NA	DOWEL RD. 8 X 40; DIN-7	3
n	NA	SPRING	1
o	NA	WASHER 6,4 X 12,5 X 1,6	1
p	NA	LOCATING WASHER	1
q	NA	CONE	1
r	NA	CALF PLATE BRACKET RH, SWIVELLING	1
s	NA	UPPER FOOTREST VARI A	1

Upper Vari A, left

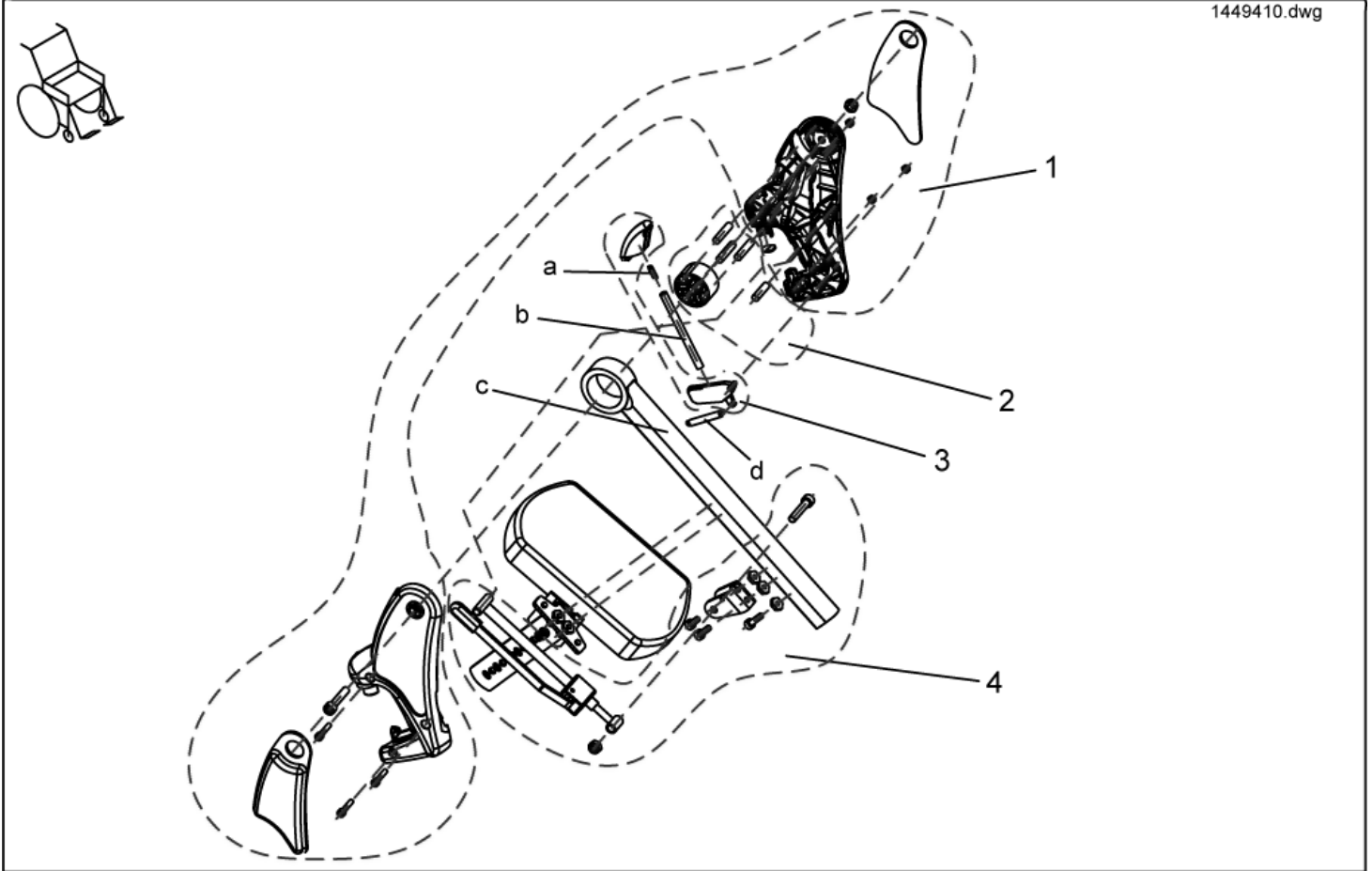
1449349.dwg



item	ordercode	description	quantity
-	SP1449349	UPPER VARI A COMPLETE, LH	1
1	1450597	ASSEMBLY KIT, VARI A RELEASE HANDLE	1
2	1449167	ASSEMBLY KIT, RELEASE BUTTON + LOCK LEVER	1
3	1450598	ASSEMBLY KIT, VARI A CLAMPING BLOCK	1
4	1449154	ASSEMBLY KIT, RUBBER STOP COMPLETE, VARI A / VARI F	1
a	NA	CLAMPING LEVER M6	1
b	NA	NYLOC NUT M5	3
c	NA	HANGER LH	1
e	NA	SPRING	1
f	NA	UPPER FOOTREST RH, MANUAL HEIGHT ADJUSTMENT	1
g	NA	NUT M6 SW-14	2
h	NA	SOCKET HEAD CAP SCREW M6 X 20	1
i	NA	CALF PLATE BRACKET, LH, SWIVELLING	1
j	NA	SOCKET HEAD CAP SCREW M5 X 25	3
k	NA	NUT M6 SW-13	1
l	NA	HANGER RH	1
n	NA	LOCATING WASHER	1
o	NA	CLAMP BLOCK	3
p	NA	CONE	1
q	NA	PUSH ROD	1
r	NA	DOWEL RD. 8 X 40; DIN-7	1
s	NA	WASHER 6,4 X 12,5 X 1,6	1

Upper ADM, right

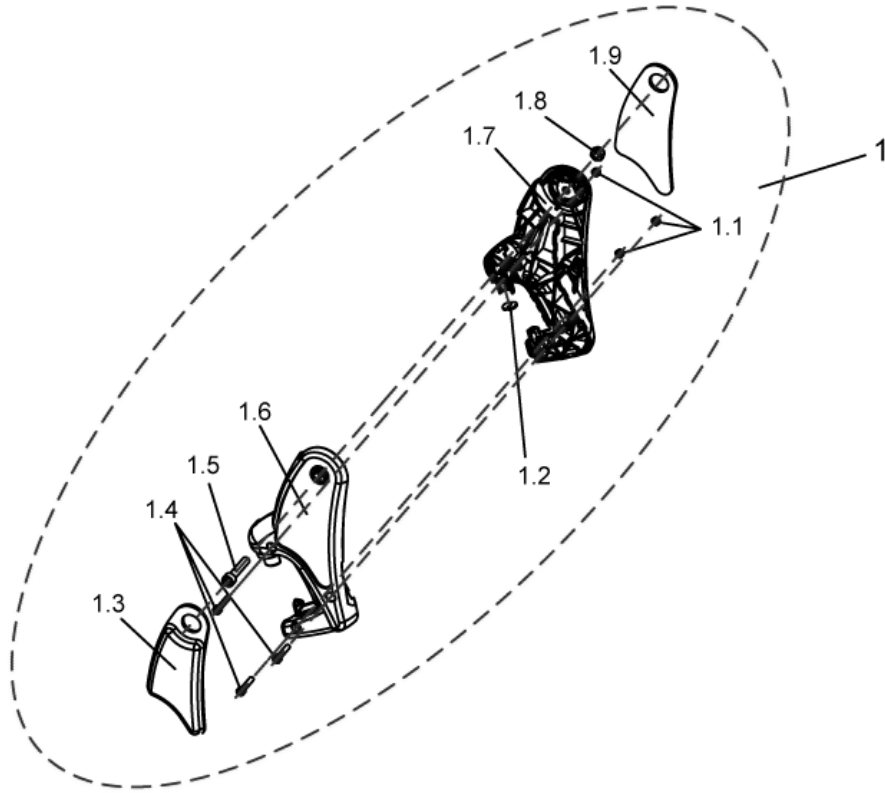
1449410.dwg



item	ordercode	description	quantity
-	SP1449410	COMPLETE UPPER ADM, RIGHT	1
1	NA	>>>see details on "assembly kit, hangers"	1
2	NA	>>>see details on "assembly kit, sliding bush"	1
3	NA	>>>see details on "trip lever + lock lever"	1
4	NA	>>>see details on "assembly kit, ADM adjustment"	1
a	NA	COMPRESSION SPRING	1
b	NA	PUSH ROD	1
c	Z173207-9005	UPPER FOOTREST T RH 80°, MANUAL HEIGHT ADJUSTMENT	1
d	NA	SPRING	1

Assembly kit, ADM hangers

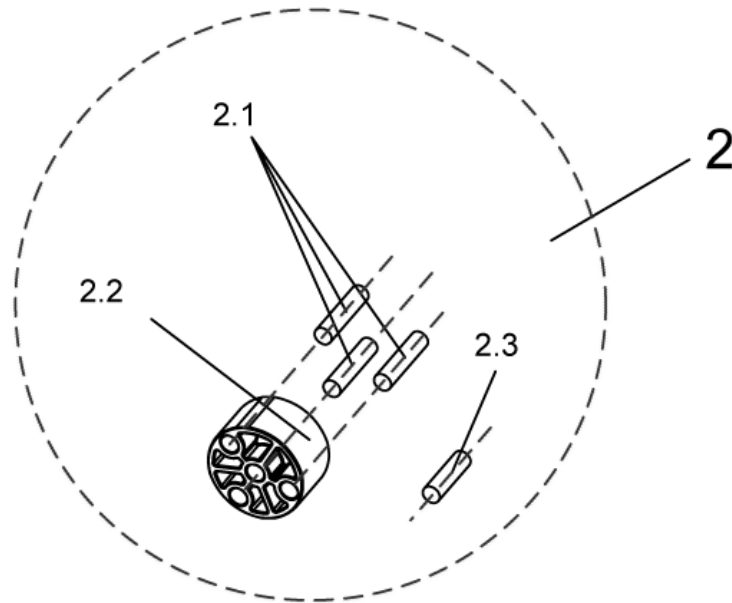
1449410_1.dwg



item	ordercode	description	quantity
1	1485604	ASSEMBLY KIT, ADM HANGERS	1
1.1	NA	NYLOC NUT M5	3
1.2	NA	ADP-PLATE	1
1.3	1450448	KNEE CUSHION, RH	1
1.4	NA	SOCKET HEAD CAP SCREW M5 X 25	3
1.5	NA	SOCKET HEAD CAP SCREW M8 X 40	2
1.6	NA	HANGER, RH	1
1.7	NA	HANGER, LH	1
1.8	NA	NYLOC NUT M8	2
1.9	1450410	KNEE CUSHION, LH	1

Assembly kit, ADM sliding bush

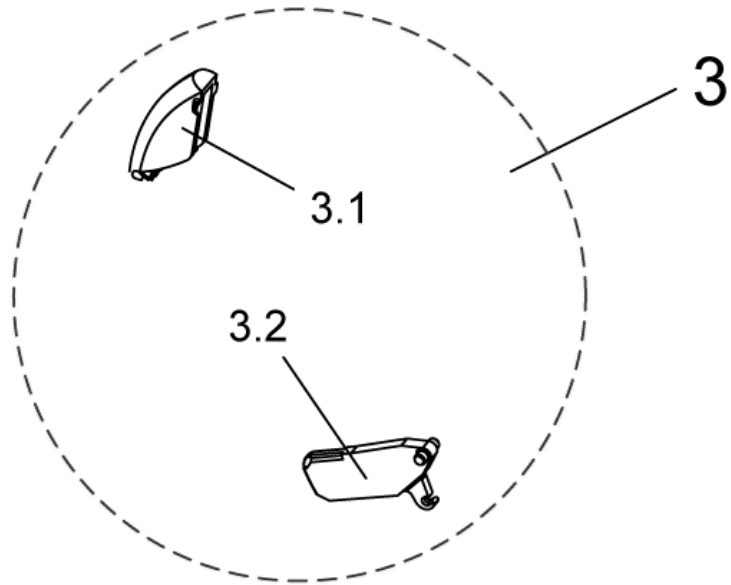
1449410_2.dwg



item	ordercode	description	quantity
2	1485605	ASSEMBLY KIT, ADM SLIDING BUSH	1
2.1	NA	DOWEL RD. 8 X 36, DIN-7	3
2.2	NA	SLIDING BUSH	1
2.3	NA	DOWEL RD. 8 X 30, DIN-7	1

Assembly kit, Trip lever + lock lever

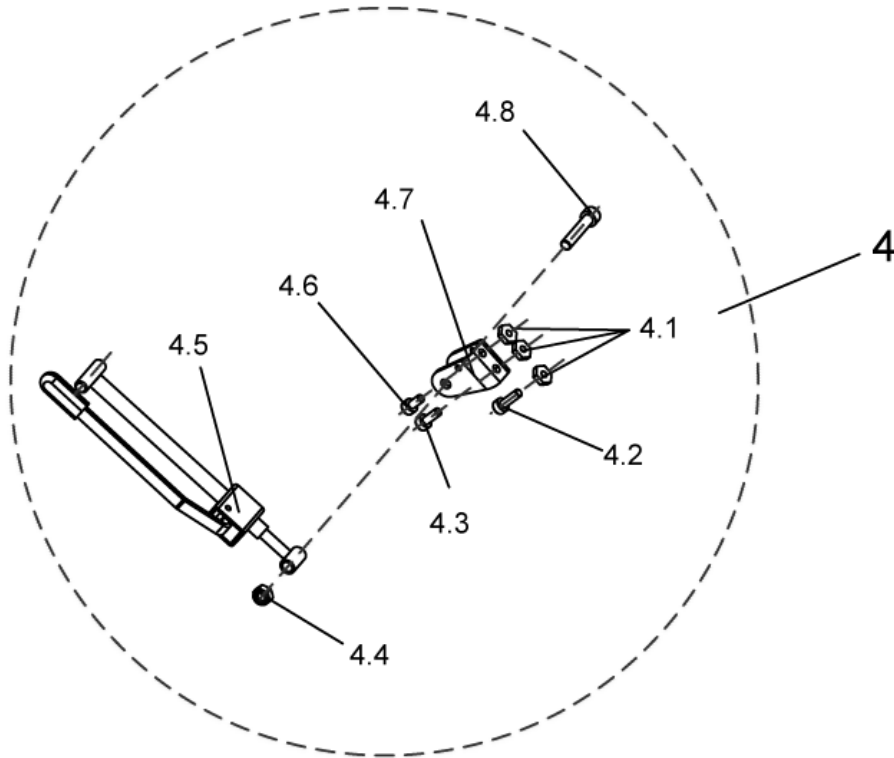
1449410_3.dwg



item	ordercode	description	quantity
3	1449155	TRIP LEVER + LOCK LEVER	1
3.1	NA	TRIP LEVER	1
3.2	NA	LOCK LEVER	1

Assembly kit, ADM adjustment

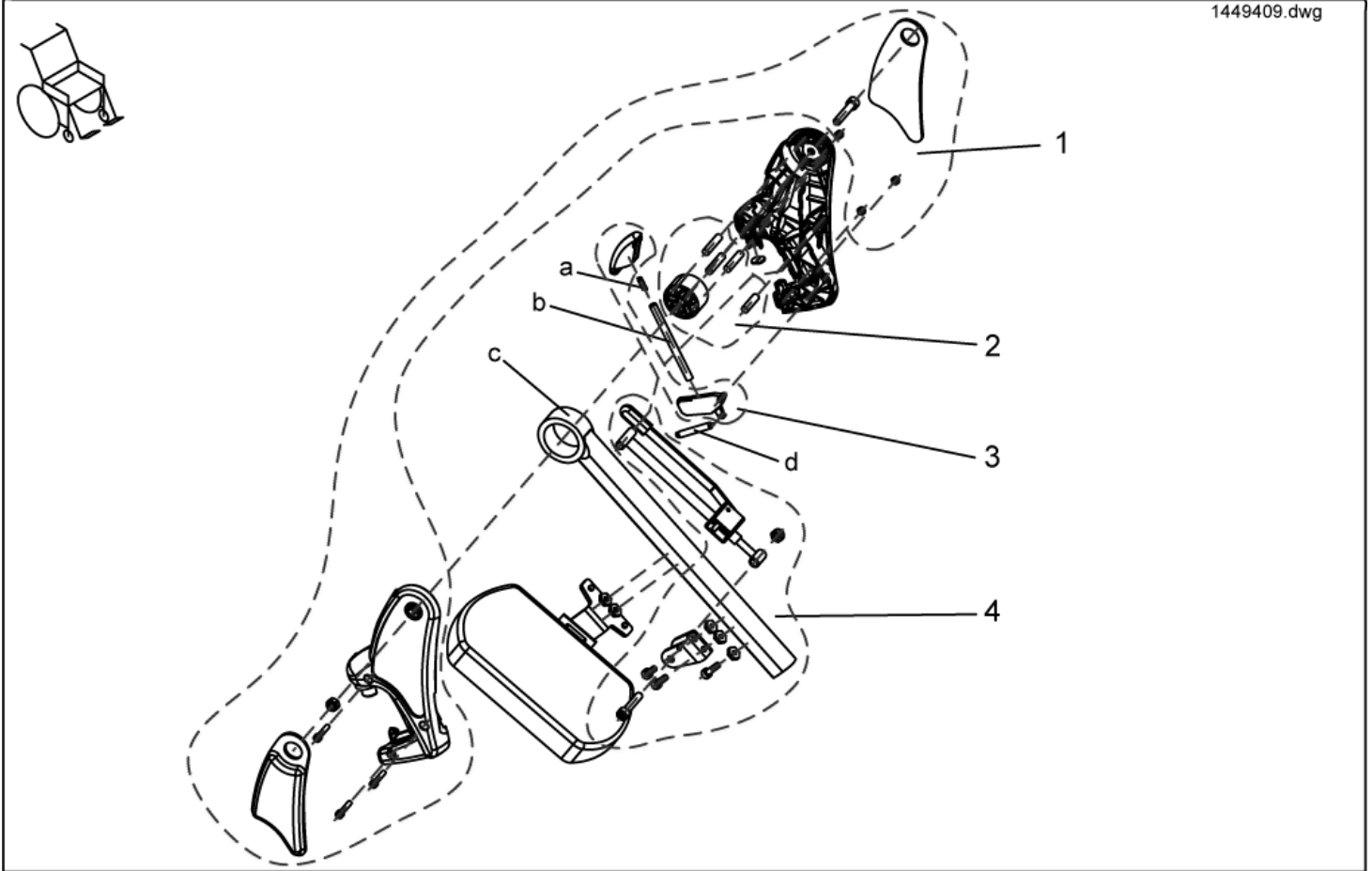
1449410_4.dwg



item	ordercode	description	quantity
4	1485606	ASSEMBLY KIT, ADM ADJUSTMENT	1
4.1	NA	M6 NUT, WIDTH ACROSS FLAT 14	3
4.2	NA	SOCKET HEAD CAP SCREW M6 X 20	1
4.3	NA	SOCKET HEAD CAP SCREW M6 X 16	1
4.4	NA	NYLOC NUT M8	2
4.5	NA	ADM ADJUSTMENT MECHANISM CPL.	1
4.6	NA	SOCKET HEAD CAP SCREW M6 X 12	1
4.7	NA	ACTUATOR MOUNT	1
4.8	NA	SOCKET HEAD CAP SCREW M8 X 40	2

Upper ADM, left

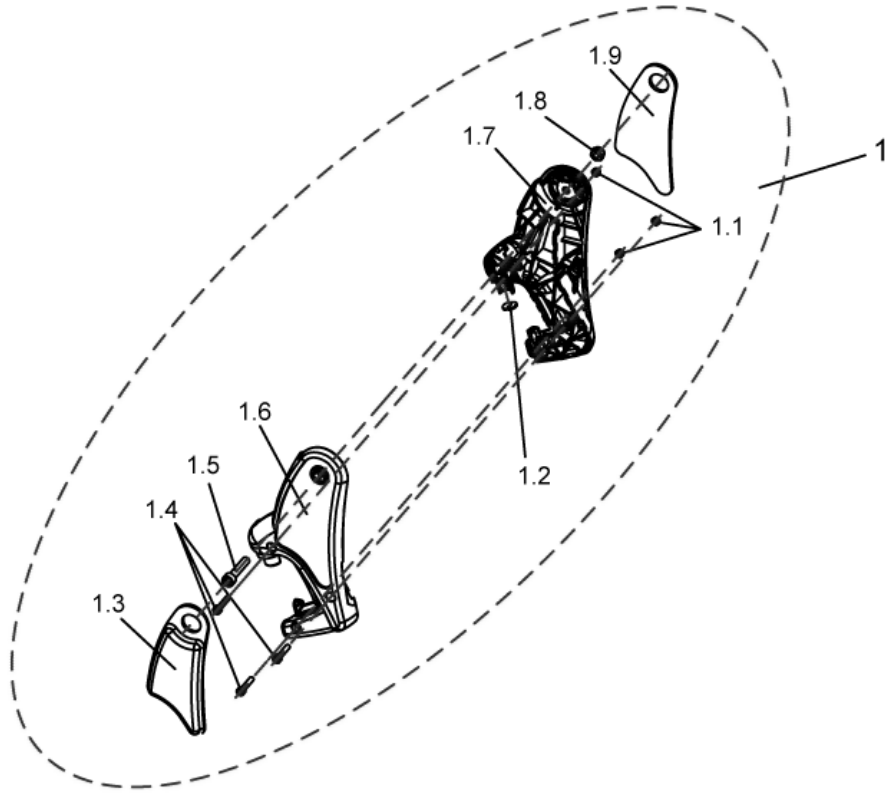
1449409.dwg



item	ordercode	description	quantity
-	SP1449409	Complete upper ADM, LH	1
1	NA	>>>see details on "assembly kit, hangers"	1
2	NA	>>>see details on "assembly kit, sliding bush"	1
3	NA	>>>see details on trip lever + lock lever "	1
4	NA	>>>see details on "assembly kit, ADM adjustment"	1
a	N12196	COMPRESSION SPRING	1
b	Z174113.99	BARRE DE FERMETURE	1
c	Z173207-9005	UPPER FOOTREST T RH 80°, MANUAL HEIGHT ADJUSTMENT	1
d	Z173178	SPRING	1

Assembly kit, hangers

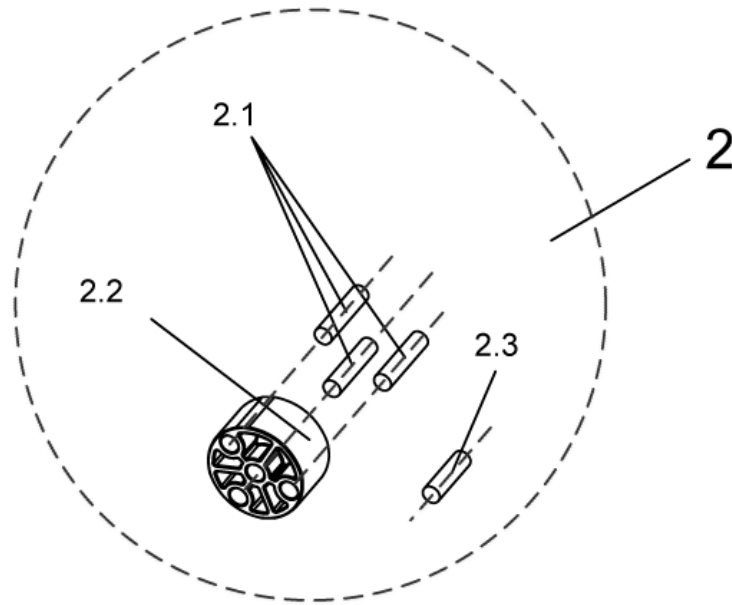
1449410_1.dwg



item	ordercode	description	quantity
1	1485604	ASSEMBLY KIT, ADM HANGERS	1
1.1	NA	NYLOC NUT M5	3
1.2	NA	ADP-PLATE	1
1.3	1450448	KNEE CUSHION, RH	1
1.4	NA	SOCKET HEAD CAP SCREW M5 X 25	3
1.5	NA	SOCKET HEAD CAP SCREW M8 X 40	2
1.6	NA	HANGER, RH	1
1.7	NA	HANGER, LH	1
1.8	NA	NYLOC NUT M8	2
1.9	1450410	KNEE CUSHION, LH	1

Assembly kit, ADM sliding bush

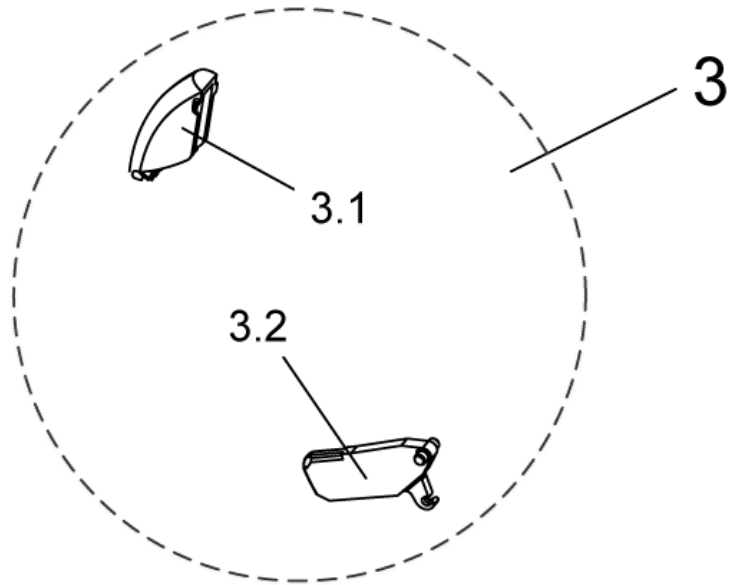
1449410_2.dwg



item	ordercode	description	quantity
2	1485605	ASSEMBLY KIT, ADM SLIDING BUSH	1
2.1	NA	DOWEL RD. 8 X 36, DIN-7	3
2.2	NA	SLIDING BUSH	1
2.3	NA	DOWEL RD. 8 X 30, DIN-7	1

Assembly kit, Trip lever + lock lever

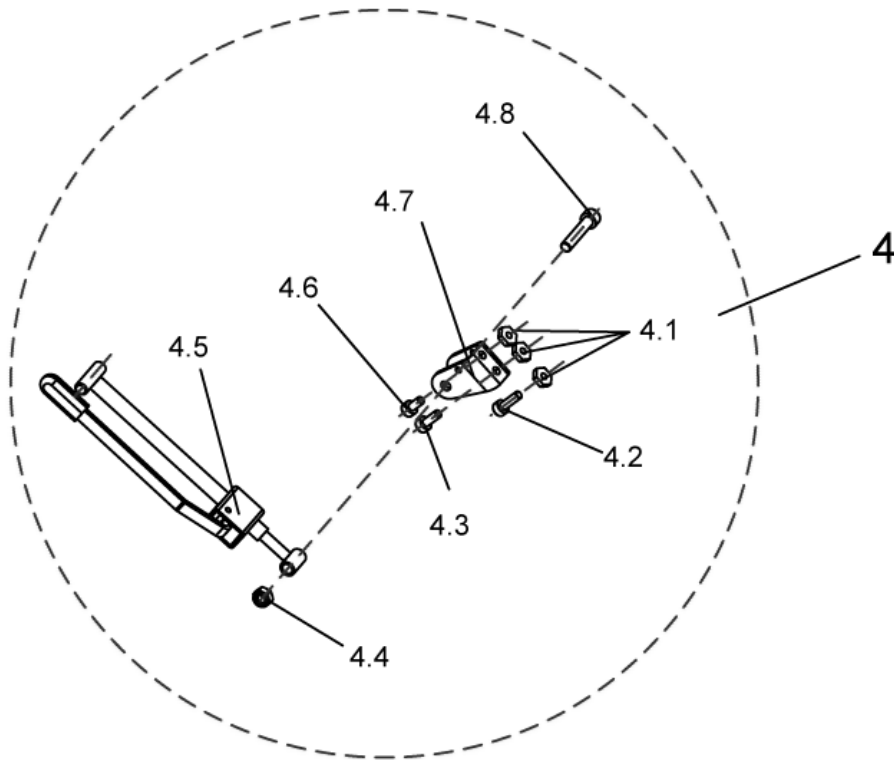
1449410_3.dwg



item	ordercode	description	quantity
3	1449155	TRIP LEVER + LOCK LEVER	1
3.1	NA	TRIP LEVER	1
3.2	NA	LOCK LEVER	1

Assembly kit, ADM adjustment

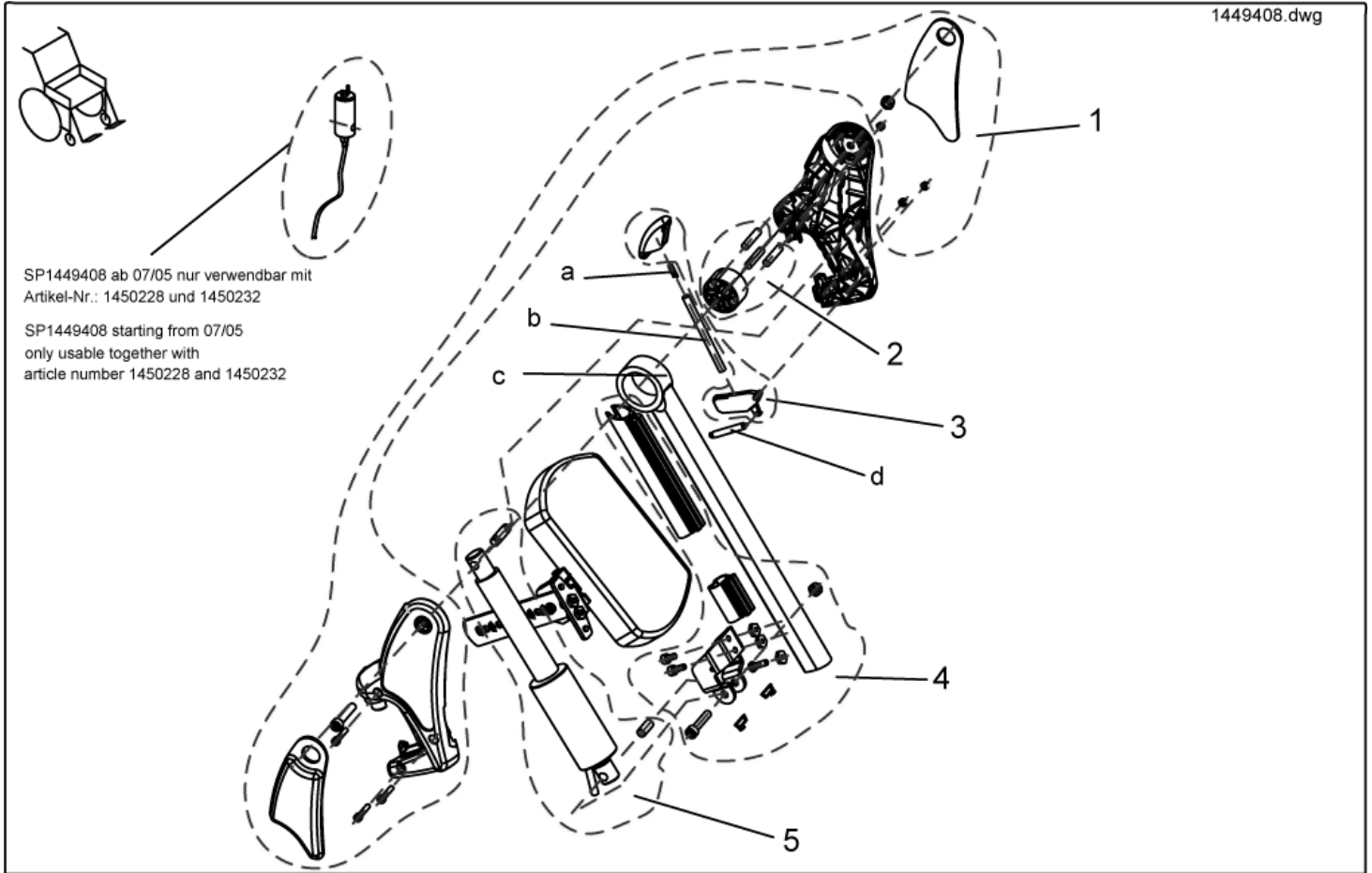
1449410_4.dwg



item	ordercode	description	quantity
4	1485606	ASSEMBLY KIT, ADM ADJUSTMENT	1
4.1	NA	NUT M6 SW-14	3
4.2	NA	SOCKET HEAD CAP SCREW M6 X 20	1
4.3	NA	SOCKET HEAD CAP SCREW M6 X 16	1
4.4	NA	NYLOC NUT M8	2
4.5	NA	ADM ADJUSTMENT MECHANISM CPL.	1
4.6	NA	SOCKET HEAD CAP SCREW M6 X 12	1
4.7	NA	ACTUATOR MOUNT	1
4.8	NA	SOCKET HEAD CAP SCREW M8 X 40	2

Upper ADP, right

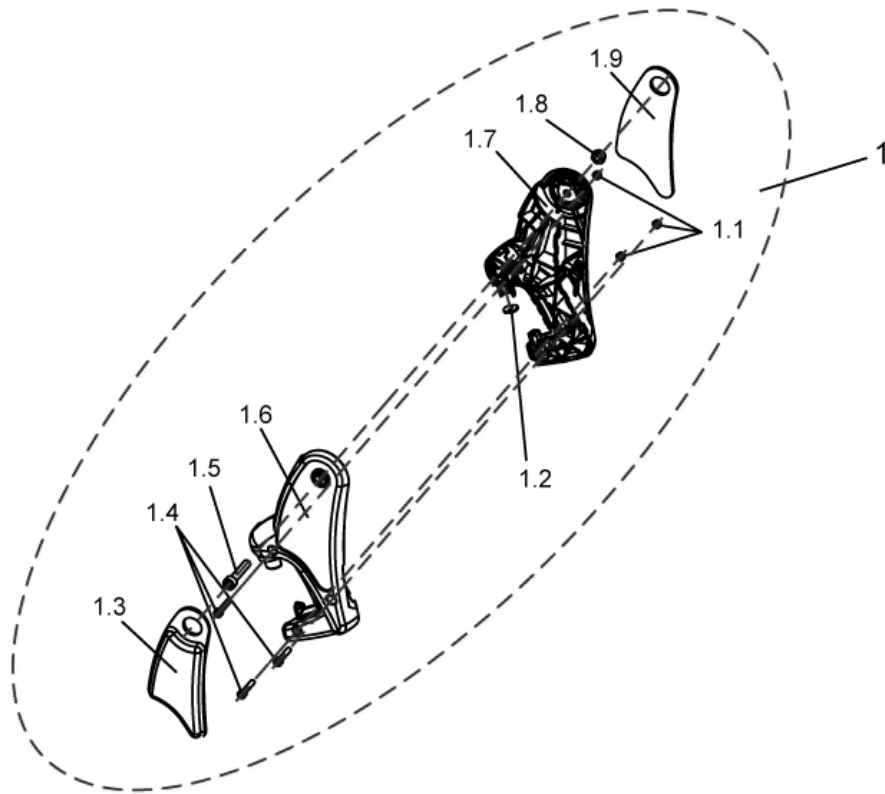
1449408.dwg



item	ordercode	description	quantity
-	SP1449408	UPPER ADP, RH	1
1	NA	>>>see details on "assembly kit, hangers"	1
2	NA	>>>see details on "assembly kit ADP, sliding bush"	1
3	NA	>>>see details on "assembly kit ADP, release button + lock lever"	1
4	NA	>>>see details on "assembly kit ADP, actuator bracket"	1
5	NA	>>>see details on "assembly kit ADP, hoist motor"	1
a	N12196	COMPRESSION SPRING	1
b	Z174113.99	PUSH ROD	1
c	NA	UPPER FOOTREST, ADP	1
d	Z173178	SPRING	1

Assembly kit, ADM Hangers

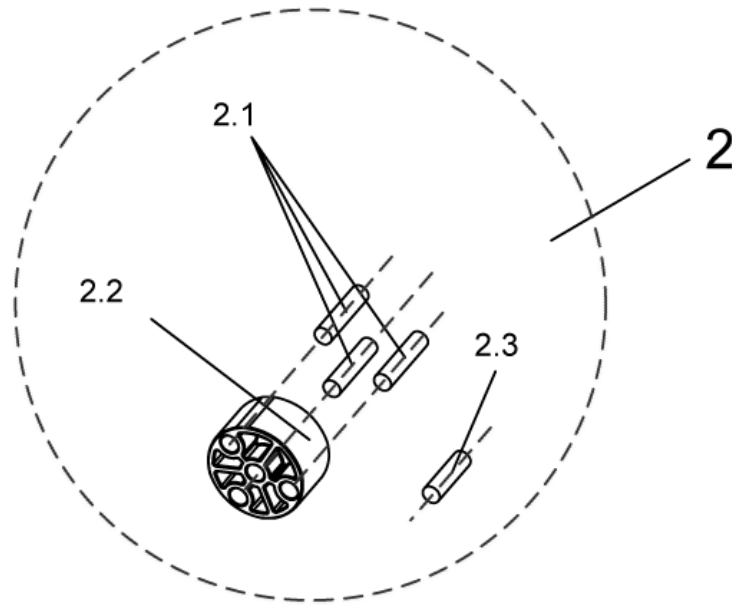
1449410_1.dwg



item	ordercode	description	quantity
1	1485604	ASSEMBLY KIT, ADM HANGERS	1
1.1	NA	NYLOC NUT M5	3
1.2	NA	ADP-PLATE	1
1.3	1450448	KNEE CUSHION, RH	1
1.4	NA	SOCKET HEAD CAP SCREW M5 X 25	3
1.5	NA	SOCKET HEAD CAP SCREW M8 X 40	2
1.6	NA	HANGER, RH	1
1.7	NA	HANGER, LH	1
1.8	NA	NYLOC NUT M8	2
1.9	1450410	KNEE CUSHION, LH	1

Assembly kit, ADM Sliding Bush

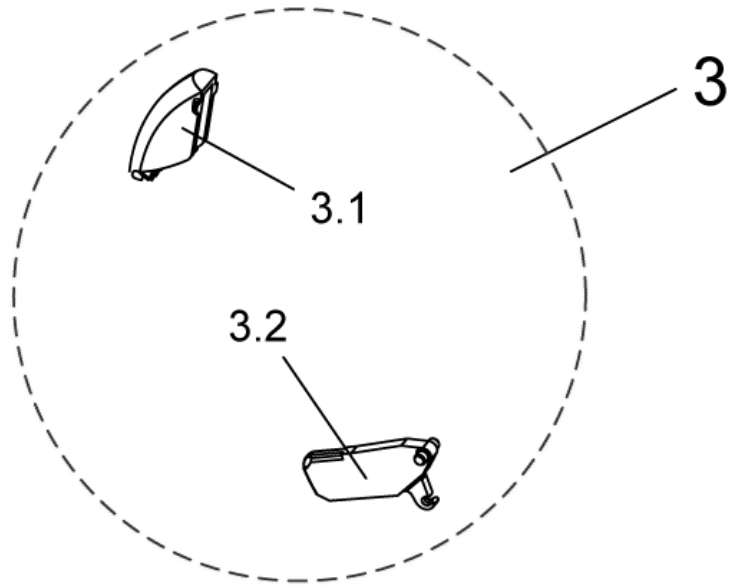
1449410_2.dwg



item	ordercode	description	quantity
2	1485605	ASSEMBLY KIT, ADM SLIDING BUSH	1
2.1	NA	DOWEL RD. 8 X 36, DIN-7	3
2.2	NA	SLIDING BUSH	1
2.3	NA	DOWEL RD. 8 X 30, DIN-7	1

Assembly kit, Trip lever + lock

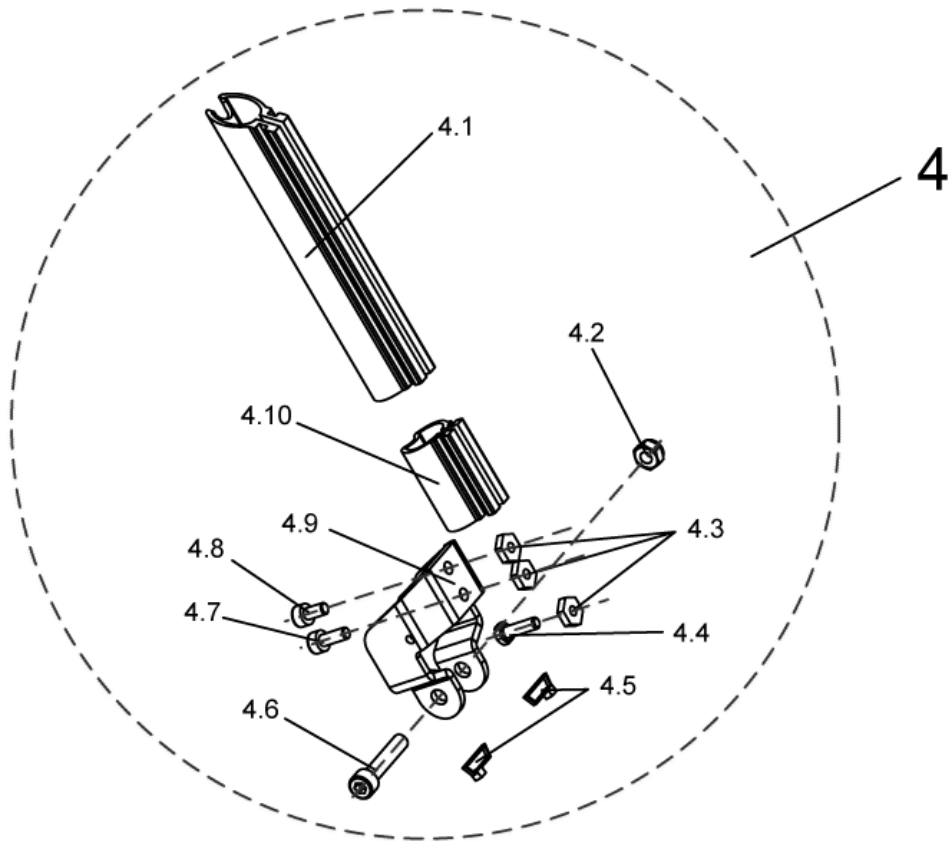
1449410_3.dwg



item	ordercode	description	quantity
3	1449167	TRIP LEVER + LOCK LEVER	1
3.1	NA	TRIP LEVER	1
3.2	NA	LOCK LEVER	1

Assembly kit ADP, Actuator Bracket

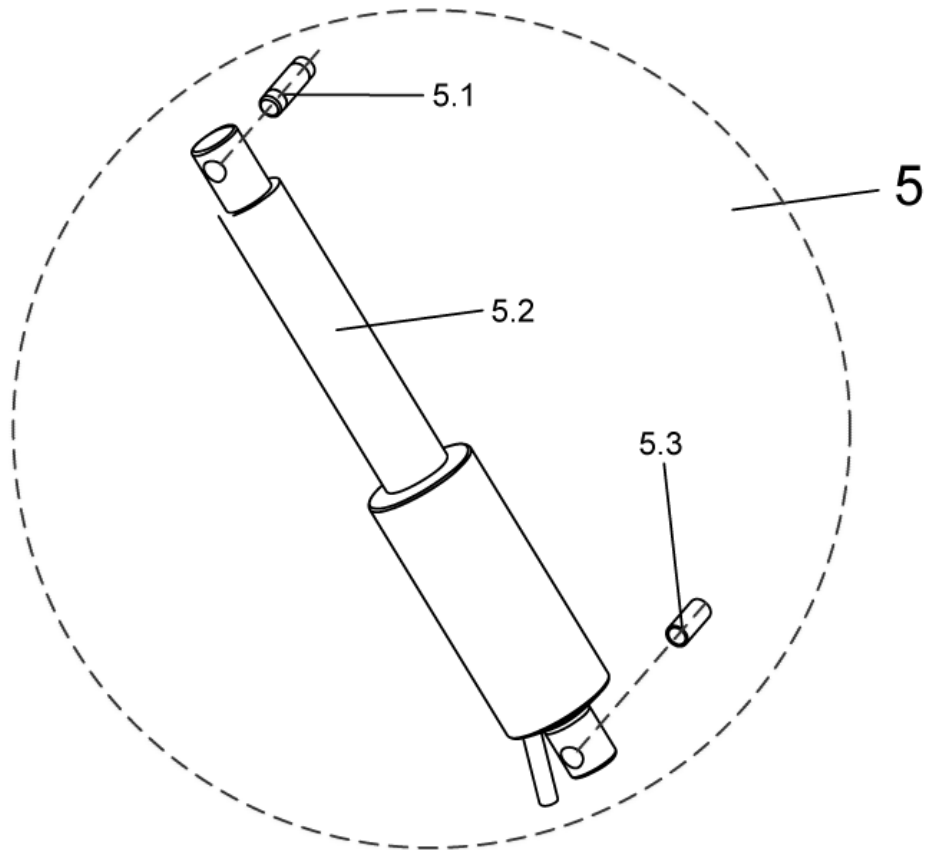
1449408_1.dwg



item	ordercode	description	quantity
4	1450607	ASSEMBLY KIT ADP, ACTUATOR BRACKET	1
4.1	NA	UPPER GUARD	1
4.2	NA	NYLOC NUT M8	2
4.3	NA	NUT M6 SW-14	3
4.4	NA	HEX HEAD SCREW M6 X 20	1
4.5	NA	CABLE STRAP L=99 MM (SHORT), BLACK	1
4.6	NA	SOCKET HEAD CAP SCREW M8 X 40	2
4.7	NA	SOCKET HEAD CAP SCREW M6 X 16	1
4.8	NA	SOCKET HEAD CAP SCREW M6 X 12	1
4.9	NA	ACTUATOR HOLDING PLATE	1
4.10	NA	LOWER GUARD	1

Assembly kit ADP, Hoist Motor

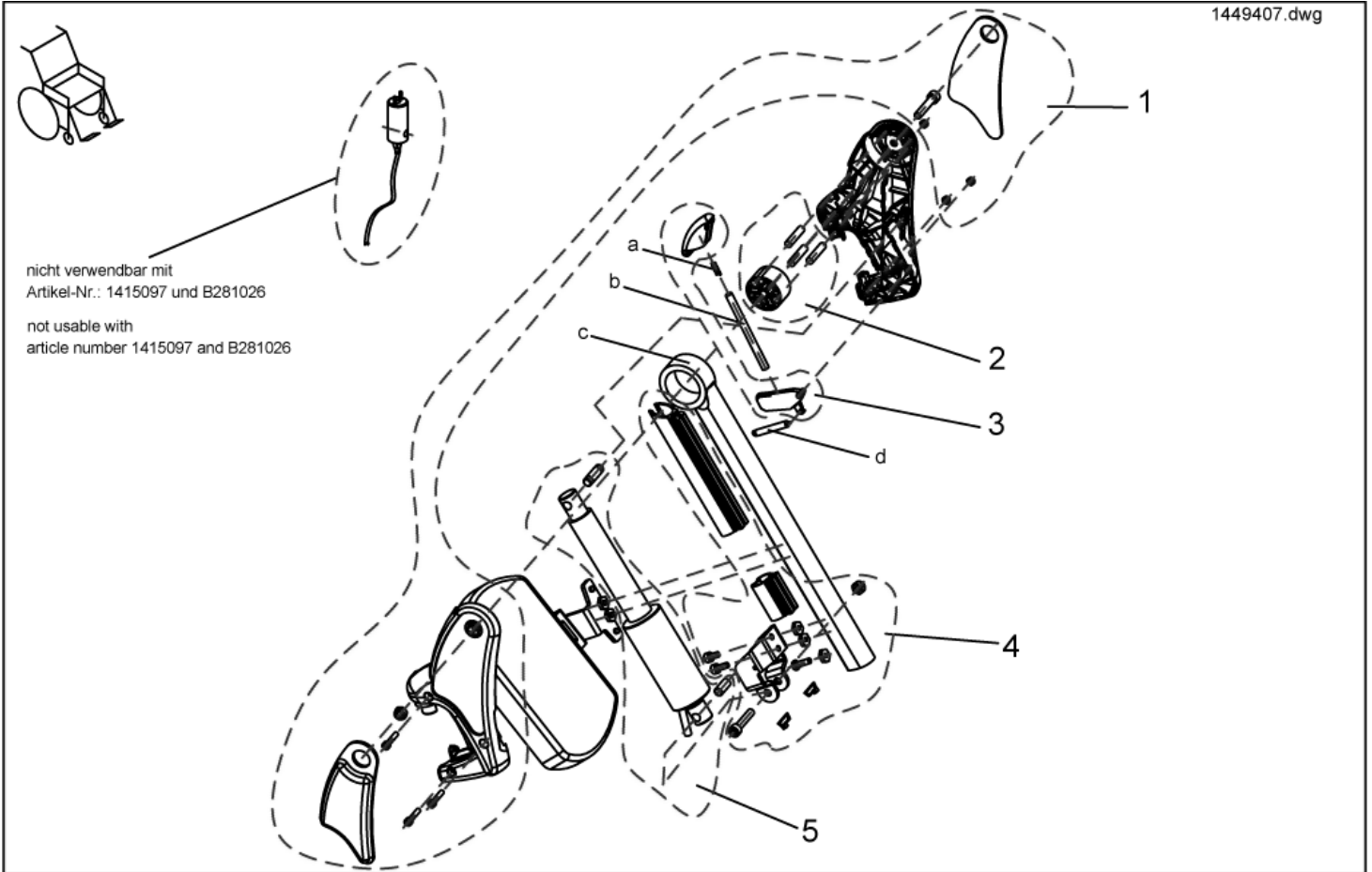
1449408_2.dwg



item	ordercode	description	quantity
5	1450606	ASSEMBLY KIT ADP, HOIST MOTOR	1
5.1	Z174137.99	PIVOT BUSH	1
5.2	Z151006	ACTUATOR ASSY	1
5.3	4000665-0002	SPACER BUSH 10X1X22,5	1

Upper ADP, left

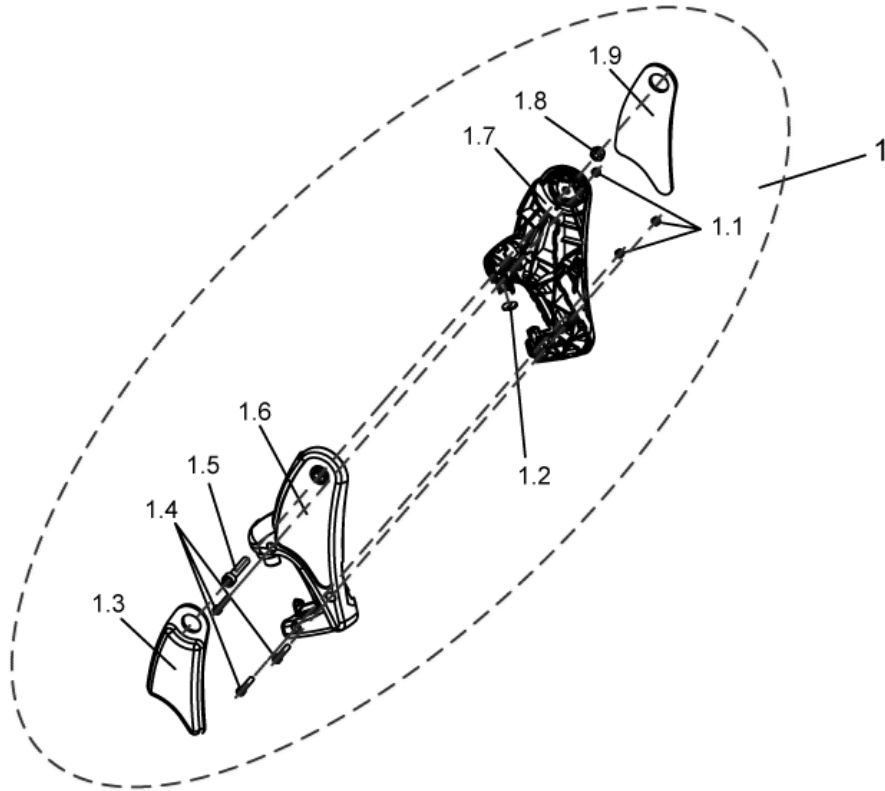
1449407.dwg



item	ordercode	description	quantity
-	SP1449407	UPPER ADP LH	1
1	NA	>>>see details on "assembly kit, hangers"	1
2	NA	>>>see details on "assembly kit ADP, sliding bush"	1
3	NA	>>>see details on "assembly kit ADP, trip lever + lock lever"	1
4	NA	>>>see details on "assembly kit ADP, actuator bracket"	1
5	NA	>>>see details on "assembly kit ADP, hoist motor"	1
a	1450410	KNEE CUSHION, LH	1
b	Z174113.99	PUSH ROD	1
c	NA	UPPER FOOTREST, ADP	1
d	Z173178	TENSION SPRING	1

Assembly kit, ADM Hangers

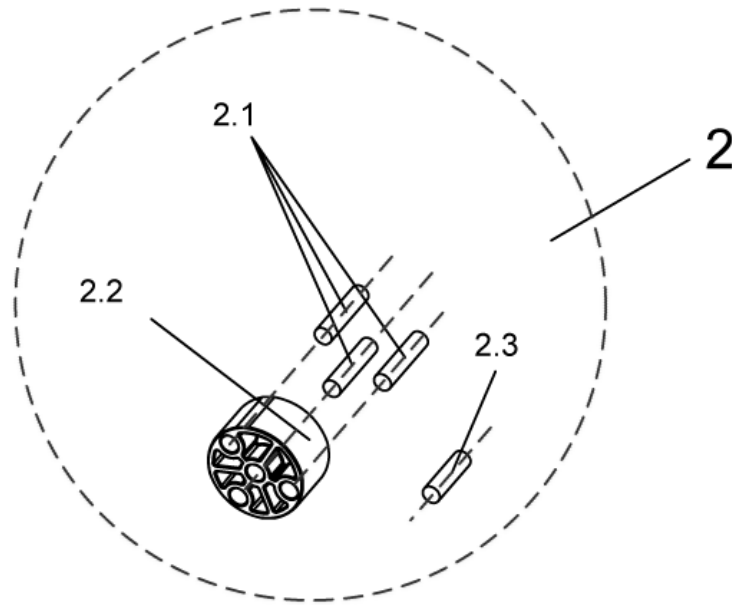
1449410_1.dwg



item	ordercode	description	quantity
1	1485604	ASSEMBLY KIT, ADM HANGERS	1
1.1	NA	NYLOC NUT M5	3
1.2	NA	ADP-PLATE	1
1.3	1450448	KNEE CUSHION, RH	1
1.4	NA	SOCKET HEAD CAP SCREW M5 X 25	3
1.5	NA	SOCKET HEAD CAP SCREW M8 X 40	2
1.6	NA	HANGER, RH	1
1.7	NA	HANGER, LH	1
1.8	NA	NYLOC NUT M8	2
1.9	1450410	KNEE CUSHION, LH	1

Assembly kit, ADM sliding bush

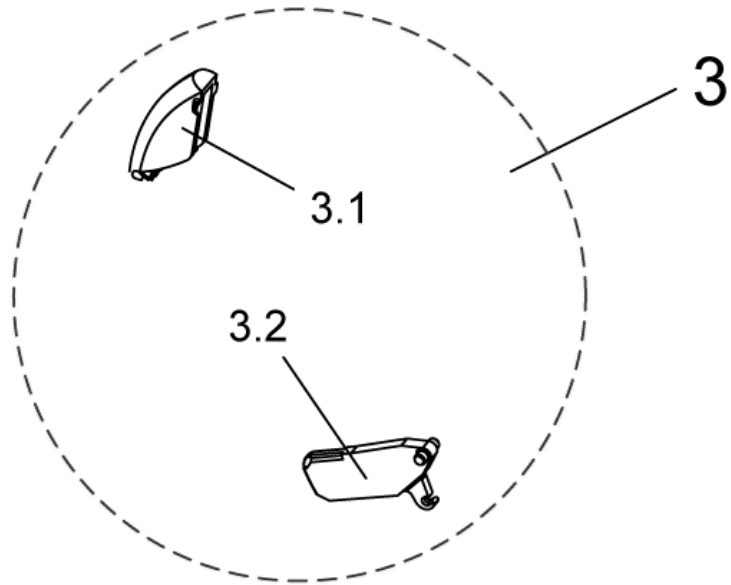
1449410_2.dwg



item	ordercode	description	quantity
2	1485605	ASSEMBLY KIT, ADM SLIDING BUSH	1
2.1	NA	DOWEL RD. 8 X 36, DIN-7	3
2.2	NA	SLIDING BUSH	1
2.3	NA	DOWEL RD. 8 X 30, DIN-7	1

Assembly, Trip lever + Lock lever

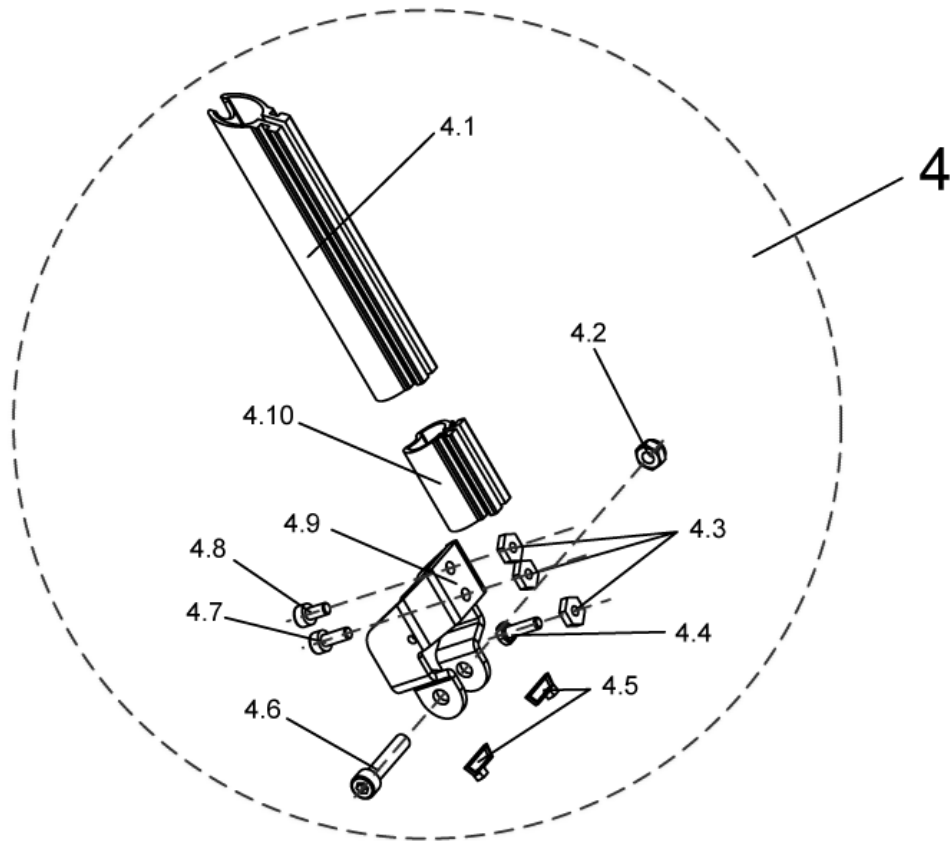
1449410_3.dwg



item	ordercode	description	quantity
3	1449167	TRIP LEVER + LOCK LEVER	1
3.1	NA	TRIP LEVER	1
3.2	NA	LOCK LEVER	1

Assembly kit ADP, Actuator Bracket

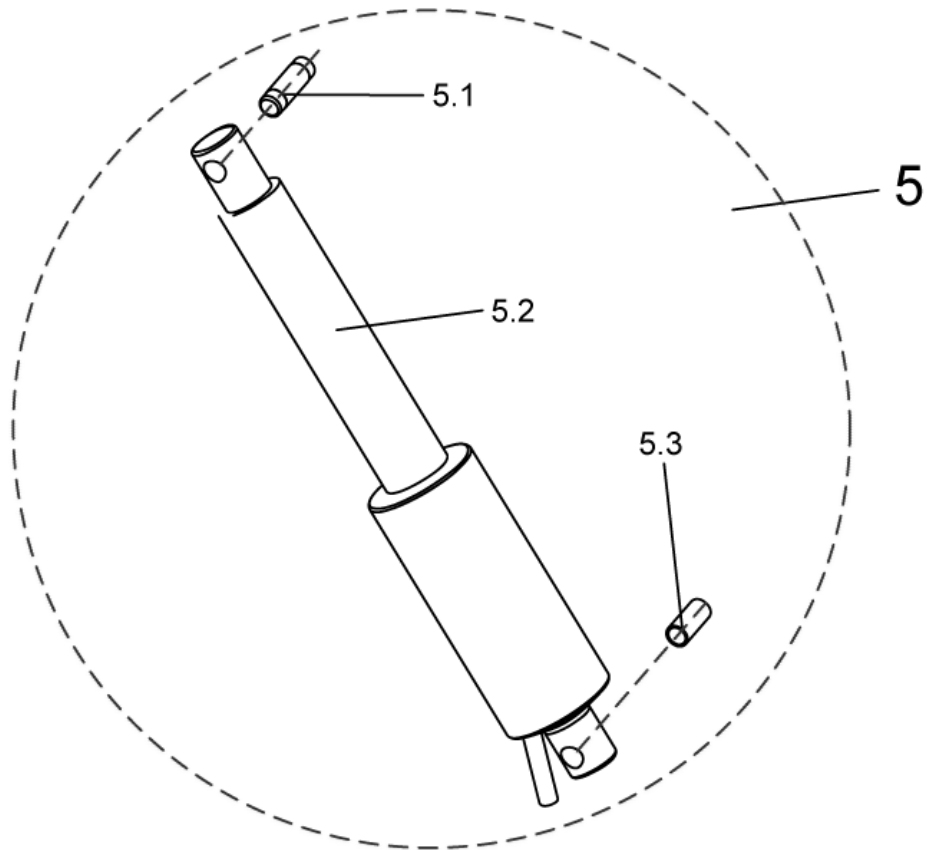
1449408_1.dwg



item	ordercode	description	quantity
4	1450607	ASSEMBLY KIT ADP, ACTUATOR BRACKET	1
4.1	NA	UPPER GUARD	1
4.2	NA	NYLOC NUT M8	2
4.3	NA	NUT M6 SW-14	3
4.4	NA	HEX HEAD SCREW M6 X 20	1
4.5	NA	CABLE STRAP L=99 MM (SHORT), BLACK	1
4.6	NA	SOCKET HEAD CAP SCREW M8 X 40	2
4.7	NA	SOCKET HEAD CAP SCREW M6 X 16	1
4.8	NA	SOCKET HEAD CAP SCREW M6 X 12	1
4.9	NA	ACTUATOR HOLDING PLATE	1
4.10	NA	LOWER GUARD	1

Assembly kit ADP, hoist motor

1449408_2.dwg



item	ordercode	description	quantity
5	1450606	ASSEMBLY KIT ADP, HOIST MOTOR	1
5.1	Z174137.99	PIVOT BUSH	1
5.2	Z151006	ACTUATOR ASSY	1
5.3	4000665-0002	SPACER BUSH 10X1X22,5	1